



1984

BMW 325e/318i

Electrical

Troubleshooting

Manual

BMW of North America, Inc.
Montvale, New Jersey

FOREWORD

In the interests of continuing technical development work we reserve the right to modify designs and equipment.

Printed in USA

©Copyright BMW of North America, Inc.
May 1984

Not to be reproduced wholly or in part
without written permission of BMW of
North America, Inc.

PN 89 89 1 000 156 •

1984

BMW 325e/318i

Electrical

Troubleshooting

Manual

CONTENTS

How To Use This Manual	3
Symbols	4
Wire Size Conversion Chart	5
Systematic Troubleshooting	6
Section A: 325e Schematic Diagrams	
325e Index	100
325e Schematic Diagrams	101
Section B: 318i Schematic Diagrams	
318i Index	100
318i Schematic Diagrams	101
Section C: Component	
Locations	201

The purpose of this manual is to show electrical schematics in a manner that makes electrical troubleshooting easier. Electrical components which work together are shown together on one schematic. The Wiper-Washer schematic, for example, shows all of the electrical components in one diagram. At the top of the page is the fuse (positive) that powers the circuit. The flow of current is shown through all wires, connectors, switches, and motors to ground (negative) at the bottom of the page.

Within the schematic, all switches and sensors are shown "at rest," as though the Ignition Switch were off. For identification, component names are underlined and placed next to or above each component. Notes are included, describing how switches and other components work.

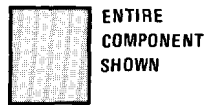
The power distribution schematic shows the current feed through all the connections from the Battery and Alternator to each fuse and the Ignition and Light Switches. If the Power Distribution schematic is combined with any other circuit schematic, a complete picture is made of how that circuit works. The Ground Distribution schematics show how several circuits are connected to common grounds.

All wiring between components is shown exactly as it exists in the vehicle; however, the wiring is not drawn to scale. To aid in understanding electrical operation, wiring inside complicated components has been simplified. The "Solid State" label designates electronic components.

WIRE SIZE CONVERSION CHART	
METRIC (CROSSECTIONAL AREA IN MM ²)	AWG (AMERICAN WIRE GAUGE)
.5	20
.75	18
1	16
1.5	14
2	14
2.5	12
4	10
6	8
8	8
16	4
20	4
25	2
32	2

WIRE INSULATION	
ABBREVIATIONS	COLOR
BK	BLACK
BR	BROWN
RD	RED
YL	YELLOW
GN	GREEN
BU	BLUE
VI	VIOLET
GY	GRAY
WT	WHITE
PK	PINK

4 SYMBOLS



ENTIRE COMPONENT SHOWN



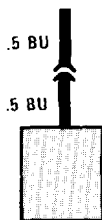
PART OF A COMPONENT SHOWN



COMPONENT WITH SCREW TERMINALS



SOLID STATE (INCLUDES ONLY ELECTRONIC PARTS)



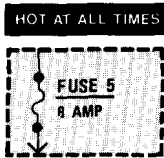
CONNECTOR ON COMPONENT LEAD (PIGTAIL)



CONNECTOR ATTACHED TO COMPONENT

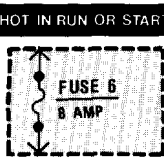


COMPONENT CASE IS DIRECTLY ATTACHED TO METAL PART OF CAR (GROUNDED)



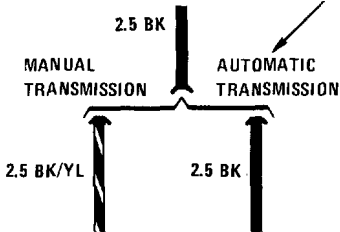
HOT AT ALL TIMES

INDICATES THAT FUSE 5 IS ALWAYS SUPPLIED WITH POWER

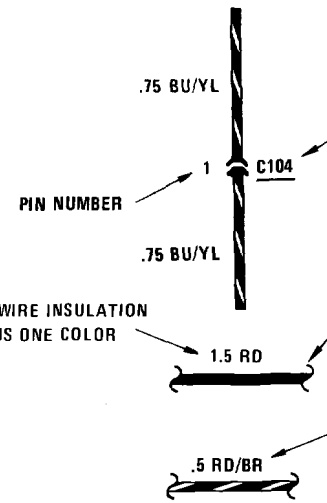


HOT IN RUN OR START

INDICATES THAT FUSE 6 IS SUPPLIED WITH POWER WITH THE IGNITION SWITCH IN THE RUN OR START POSITIONS



WIRE CHOICES FOR OPTIONS ARE SHOWN AND LABELED



PIN NUMBER

CONNECTOR REFERENCE NUMBER FOR COMPONENT LOCATION CHART

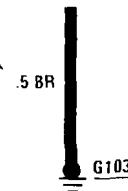
CHART ALSO SHOWS TOTAL NUMBER OF CONTACTS POSSIBLE: C103 (6 PIN)

WIRE INSULATION IS ONE COLOR

A WAVY LINE MEANS A WIRE IS CONTINUED

WIRE INSULATION IS ONE COLOR WITH ANOTHER COLOR STRIPE (RED WITH BROWN)

WIRE SIZE IN MM²



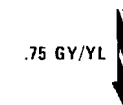
WIRE IS ATTACHED TO METAL PART OF CAR (GROUNDED) GROUND IS NUMBERED FOR REFERENCE ON COMPONENT LOCATION CHART

OTHER CIRCUITS THAT SHARE A GROUND ARE SHOWN IN GROUND DISTRIBUTION

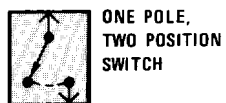


DIODE CURRENT CAN FLOW ONLY IN THE DIRECTION OF THE ARROW

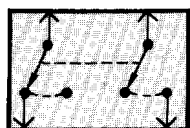
CIRCUIT REFERENCE - A WIRE WHICH CONNECTS TO ANOTHER CIRCUIT



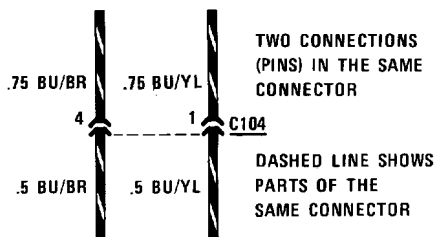
ACTIVE CHECK CONTROL



ONE POLE,
TWO POSITION
SWITCH

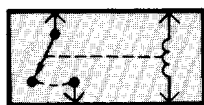


SWITCHES THAT
MOVE TOGETHER
DASHED LINE SHOWS
A MECHANICAL
CONNECTION
BETWEEN SWITCHES



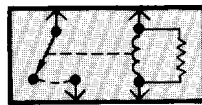
TWO CONNECTIONS
(PINS) IN THE SAME
CONNECTOR

DASHED LINE SHOWS
PARTS OF THE
SAME CONNECTOR



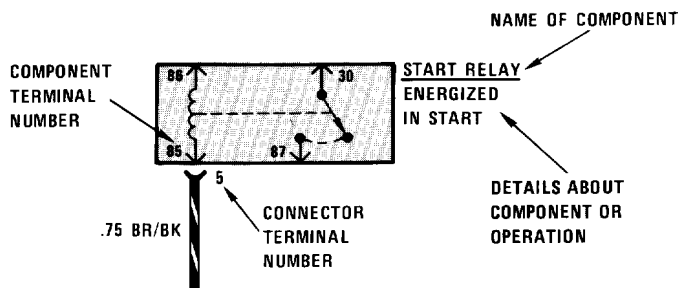
WHEN COIL IS
ENERGIZED, SWITCH
IS PULLED CLOSED

RELAY SHOWN
WITH NO
CURRENT
FLOWING
THROUGH
COIL



RESISTOR ACROSS COIL
IS FOR NOISE
SUPPRESSION

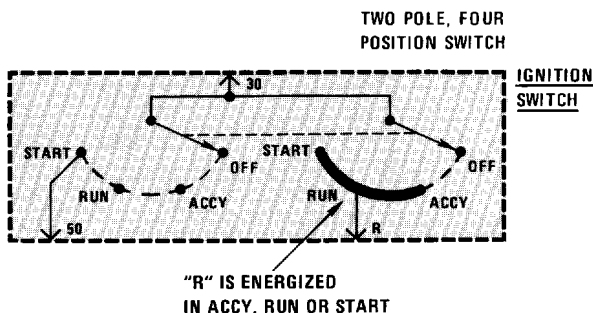
RELAY SHOWN
WITH RESISTOR
ACROSS COIL



NAME OF COMPONENT

START RELAY
ENERGIZED
IN START

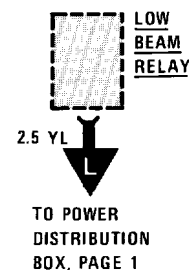
DETAILS ABOUT
COMPONENT OR
OPERATION



TWO POLE, FOUR
POSITION SWITCH

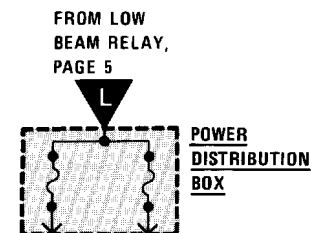
IGNITION
SWITCH

"R" IS ENERGIZED
IN ACCY, RUN OR START



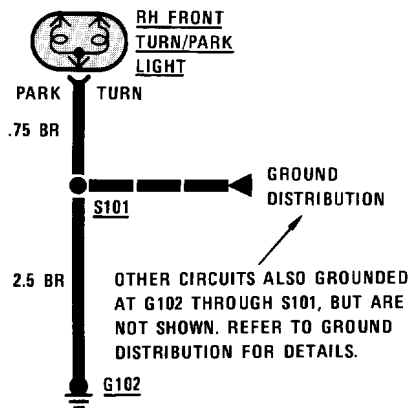
LOW
BEAM
RELAY
2.5 YL
TO POWER
DISTRIBUTION
BOX, PAGE 1

CURRENT PATH
IS CONTINUED
AS LABELED.
THE ARROW SHOWS
DIRECTION OF CURRENT
FLOW AND IS REPEATED
WHERE CURRENT
PATH CONTINUES.



FROM LOW
BEAM RELAY,
PAGE 5

POWER
DISTRIBUTION
BOX



LIGHT
EMITTING
DIODE

6 SYSTEMATIC TROUBLESHOOTING

TROUBLESHOOTING PROCEDURE

1. Verify the Problem

Operate the problem circuit to check the accuracy of the complaint. Note the symptoms of the inoperative circuit.

2. Analyze the Problem

Refer to the schematic of the problem circuit in the ETM. Determine how the circuit is supposed to work by tracing the current path(s) from the power feed through the circuit components to ground. Then based on the symptoms you noted in step 1 and your understanding of circuit operation, identify one or more possible causes of the problem.

3. Isolate the Problem

Make circuit tests to prove or disprove the preliminary diagnosis made in step 2. Keep in mind that a logical simple procedure is the key to efficient troubleshooting. Test for the most likely cause of failure first. Try to make tests at points which are easily accessible.

4. Repair the Problem

Once the specific problem is identified, make the repair using the proper tools and safe procedures.

5. Check the Problem

Operate the circuit to check for satisfactory circuit operation. Good repair practice calls for rechecking all circuits you have worked on.

TROUBLESHOOTING TOOLS

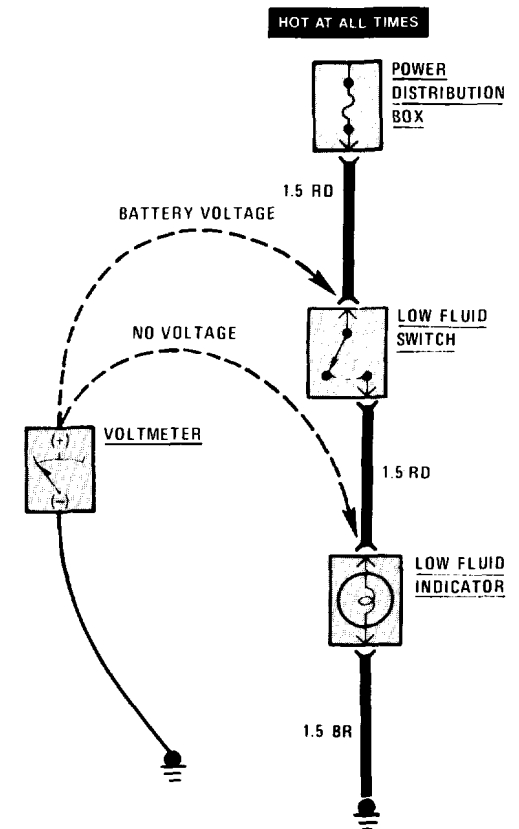
Isolating the problem (Step 3 of TROUBLESHOOTING PROCEDURES) requires the use of a **voltmeter** and/or **ohmmeter**. A voltmeter measures voltage at selected points in a circuit. An ohmmeter measures a circuit's resistance to current flow. It has an internal battery that provides current to the circuit under test. Disconnect the car battery when using an ohmmeter because the battery voltage will cause the ohmmeter to give false readings. Also, do not use an ohmmeter on solid-state components. The voltage that the ohmmeter applies to the circuit could damage these components.

TROUBLESHOOTING TESTS

Voltage Test

This test measures voltage in a circuit. By taking measurements at several points (terminals or connectors) along the circuit, you can isolate the problem.

To take a voltage measurement, connect the negative lead of the voltmeter to the battery's negative terminal or other known good ground. Then connect the positive lead of the voltmeter to the point you want to test. The voltmeter will measure the voltage present at that point in the circuit.

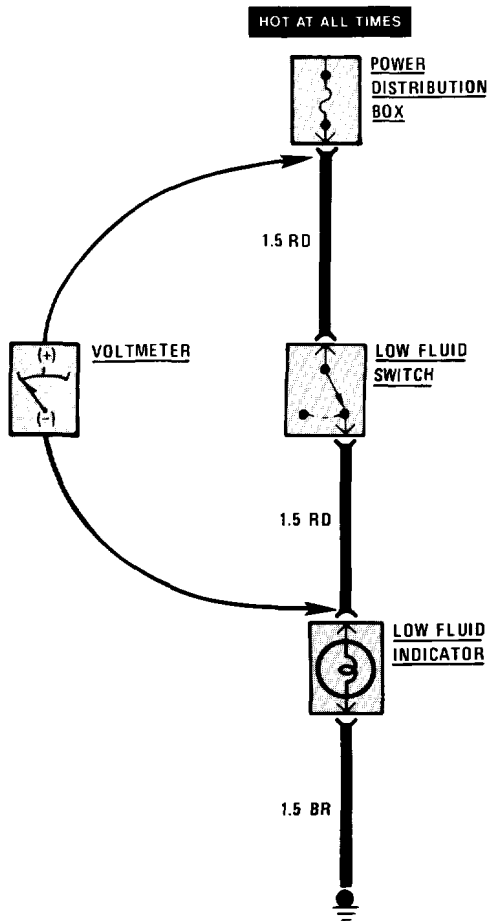


Voltage Test

Voltage Drop Test

Wires, connectors, and switches are designed to conduct current with a minimum loss of voltage. A voltage drop of more than one volt indicates a problem.

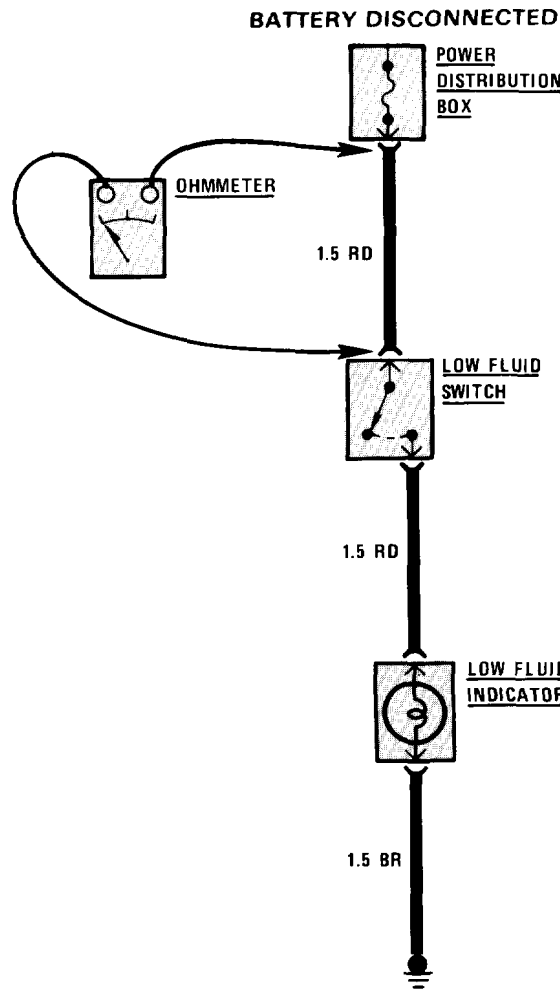
To test for voltage drop, connect the voltmeter leads to connectors at either end of the circuit's suspected problem area. The positive lead should be connected to the connector closest to the power source. The voltmeter will show the voltage drop between these two points.



Voltage Drop Test

Continuity Test

To perform a continuity test, first disconnect the car battery. Then adjust the ohmmeter to read zero while holding the leads together. Connect the ohmmeter leads to connector or terminals at either end of the circuit's suspected problem area. The ohmmeter will show the resistance across that part of the circuit.

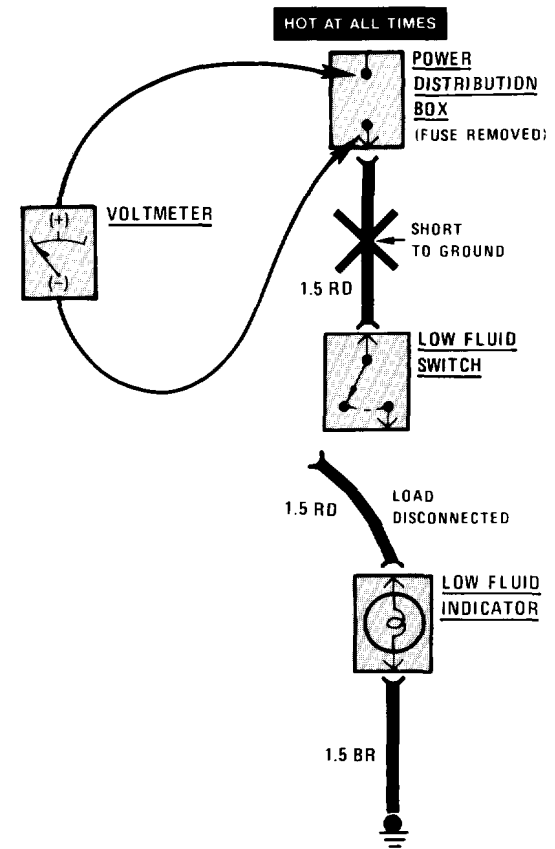


Continuity Test

Short Test Using Voltmeter

Remove the blown fuse and disconnect the load. Connect the voltmeter leads to the fuse terminals. The positive lead should be connected to the terminal closest to the power source.

Starting near the POWER DISTRIBUTION BOX, move the wire harness back and forth and watch the voltmeter reading. If the voltmeter registers a reading, there is a short to ground in the wiring. Somewhere in the area of the harness being moved, the wire insulation is worn away and the circuit is grounding.



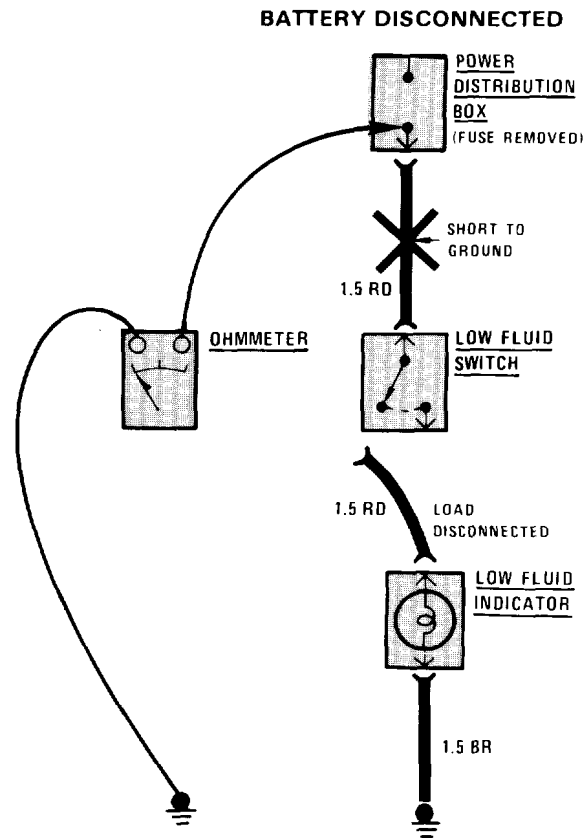
Short Test Using Voltmeter

8 SYSTEMATIC TROUBLESHOOTING

Short Test Using Ohmmeter

Disconnect the battery. Adjust the ohmmeter to read zero while holding the leads together. Remove the blown fuse and disconnect the load. Connect one lead of the ohmmeter to the fuse terminal that is closest to the load. Connect the other lead to a known good ground.

Starting near the POWER DISTRIBUTION BOX, move the wire harness back and forth and watch the ohmmeter reading. Low or no resistance indicates a short to ground in the wiring. Infinitely high resistance indicates no short.



Short Test Using Ohmmeter

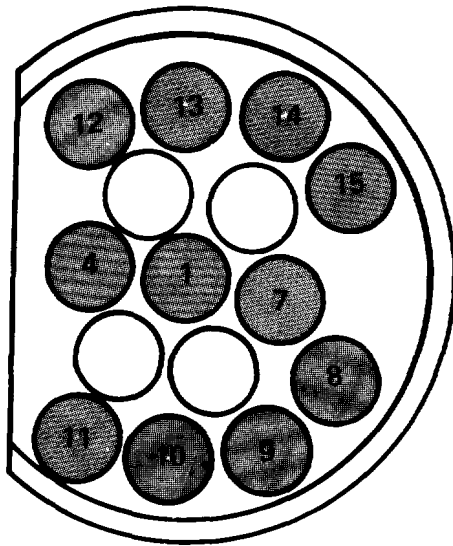
Section A

325e

Schematic Diagrams

Index – Alphabetical Listing of Electrical Circuits (325e)

	PAGE		PAGE
Accessory Connector(C302)	154	Lights (continued)	
Active Control	123	– Hazard Warning	128
Air Conditioning	139	– Headlights (Control)	126
Auto-Charging Flashlight	136	– Headlights (Power)	127
Auxiliary Fan	143	– Interior	137
Brake Warning System	118	– License	131
Central Locking	144	– Rear Marker	131
Charging System	109	– Stoplights	132
Cigar Lighter	136	– Tail	130
Cruise Control	132	– Turn	128
Diagnostic Connector	101	– Trunk	131
Digital Clock	120	On-Board Computer	120
Fuel Control	111	Power Antenna	147
Fuel Delivery	110	Power Distribution	104
Fuel Economy Gauge	116	Power Distribution Box	102
Fuel Gauge	115	Power Mirrors	
Fuse Data	103	– Single Motor	148
Gauges	115	– Dual Motors	149
Ground Distribution	151	Power Windows	146
Heating	139	Radio	147
Horn	134	Rear Defogger	135
Idle Speed Control	112	Seatbelt Warning	122
Ignition	113	Service Interval Indicator	117
Ignition Key Warning	122	Speedometer	114
Indicators	114	Start	108
Lights		Sun Roof	150
– Back Up	134	Tachometer	116
– Dash	138	Temperature Gauge	115
– Fog	126	Warning Indicators	115
– Front Park	130	Washer Jet Heats	119
– Front Side Marker	130	Wiper/Washer	119
– Glove Box	136		



DIAGNOSTIC CONNECTOR FACE

PIN	WIRE SIZE	WIRE COLOR	CIRCUIT AND COMPONENT CONNECTED
1	1.5	BR	Ground Distribution, G103
4	.5	BR/VI	Gauges/Warning Indicators, Coolant Temperature Sender
7	.5	WT/BU	Service Interval Indicator, Service Interval Processor (Reset)
8	.5	YL	Ignition, TDC Sensor.
9		SHIELD	Ignition, TDC Sensor.
10	.5	BK	Ignition, TDC Sensor.
11	2.5	BK/YL	Start, Start Signal. (50)
12	.75	BU	Charge System, Alternator (D+)
13	1	GN	Ignition, Ignition Coil
14	2.5	RD	Charge System, Alternator (30)
15	1.5	GN/YL	Idle Speed Control, Idle Speed Control Unit.

102 POWER DISTRIBUTION BOX

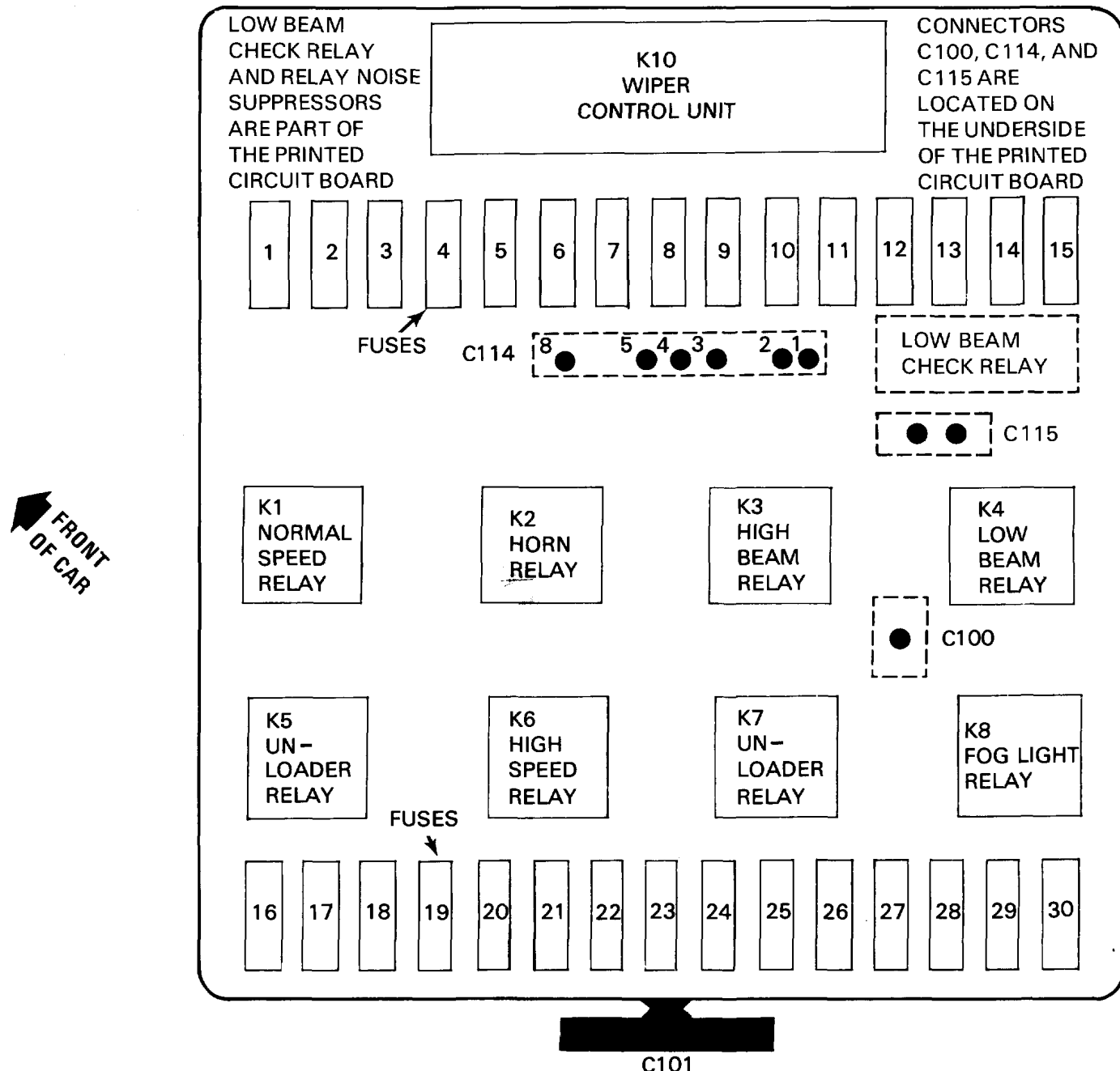


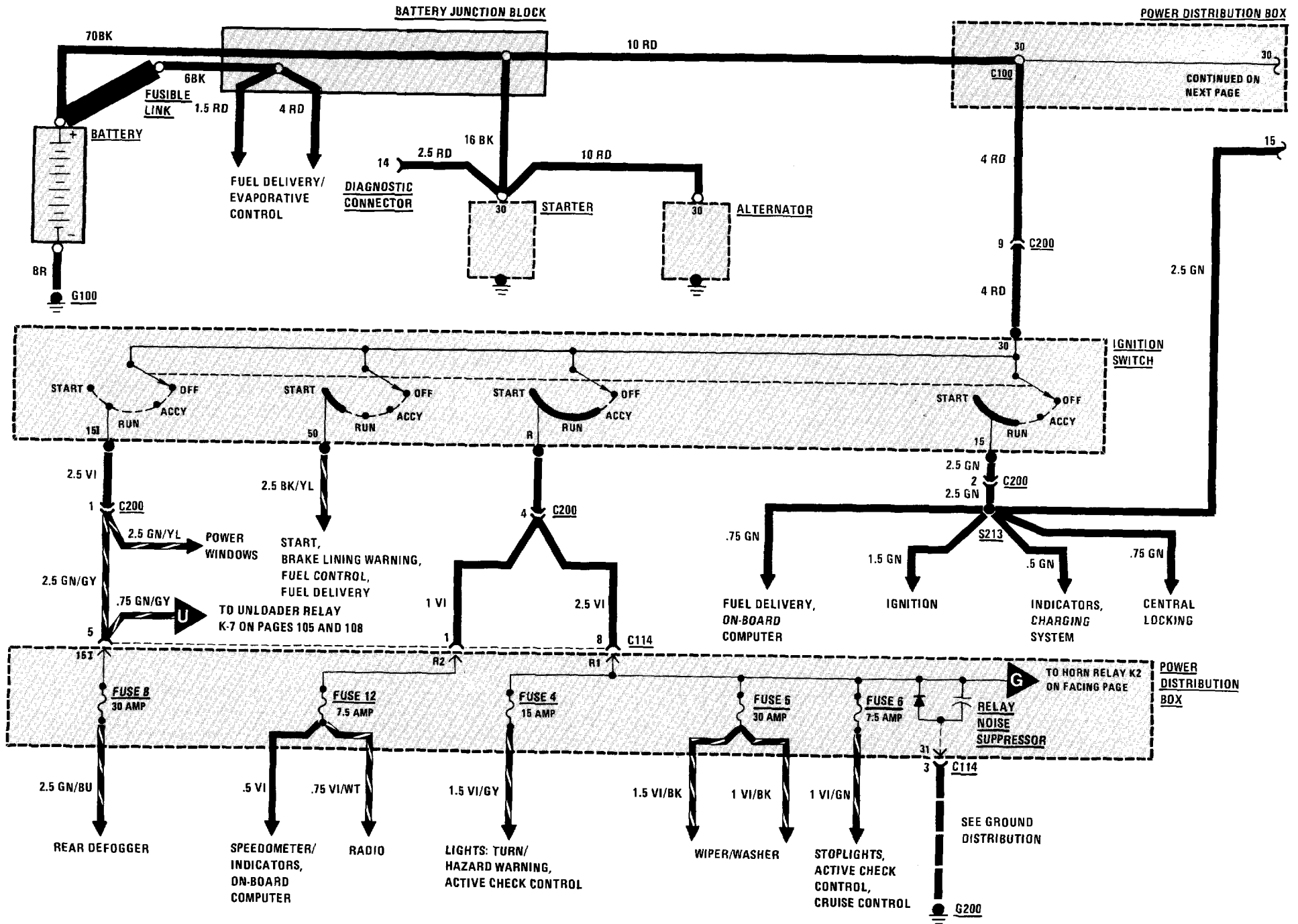
Figure 1 - Behind Left Front Shock Tower

FUSE NO.	SIZE/ COLOR	CIRCUIT NAME
1	7.5A (BR)	Headlights (also fuses 2, 13, 14).
2	7.5A (BR)	Headlights (also fuses 1, 13, 14).
3	15A (LT BU)	Auxiliary Fan (also fuses 18, 19).
4	15A (LT BU)	Lights: Turn/Hazard Warning (also fuse 24); Active Check Control (also fuses 6, 10, 21, 22, 23).
5	30A (LT GN)	Wiper/Washer.
6	7.5A (BR)	Stoplights/Cruise Control (also fuse 10); Active Check Control (also fuses 4, 10, 21, 22, 23); Cruise Control.
7	15A (LT BU)	Horn.
8	30A (LT GN)	Rear Defogger (also fuse 23).
9	15A (LT BU)	Idle Speed Control (also fuse 10).
10	7.5A (BR)	Seatbelt Warning (also fuse 21); Service Interval Indicator (also fuse 21); Tachometer/Fuel Economy Gauges (Also fuse 21); Gauges/Indicators; Brake Warning System; Back Up Lights; On-Board Computer (also fuses 12, 21, 27); Start; Idle Speed Control (also fuse 9); Active Check Control (also fuse 21); Stoplights/Cruise Control (also fuse 6).
11	15A (LT BU)	Fuel Delivery.
12	7.5A (BR)	Radio (also fuse 21); Speedometer/Indicators (also fuse 8); On-Board Computer (also fuse 10, 21, 27).
13	7.5A (BR)	Headlights (also fuses 1, 2, 14).
14	7.5A (BR)	Headlights (also fuses 1, 2, 13).
15		Not Used.
16		Not Used.
17	15A (LT BU)	Sunroof.
18	30A (LT GN)	Auxiliary Fan (also fuses 3, 19).
19	7.5A (BR)	Auxiliary Fan (also fuses 3, 18); Interior Lights (also fuses 21, 27); Power Mirrors.

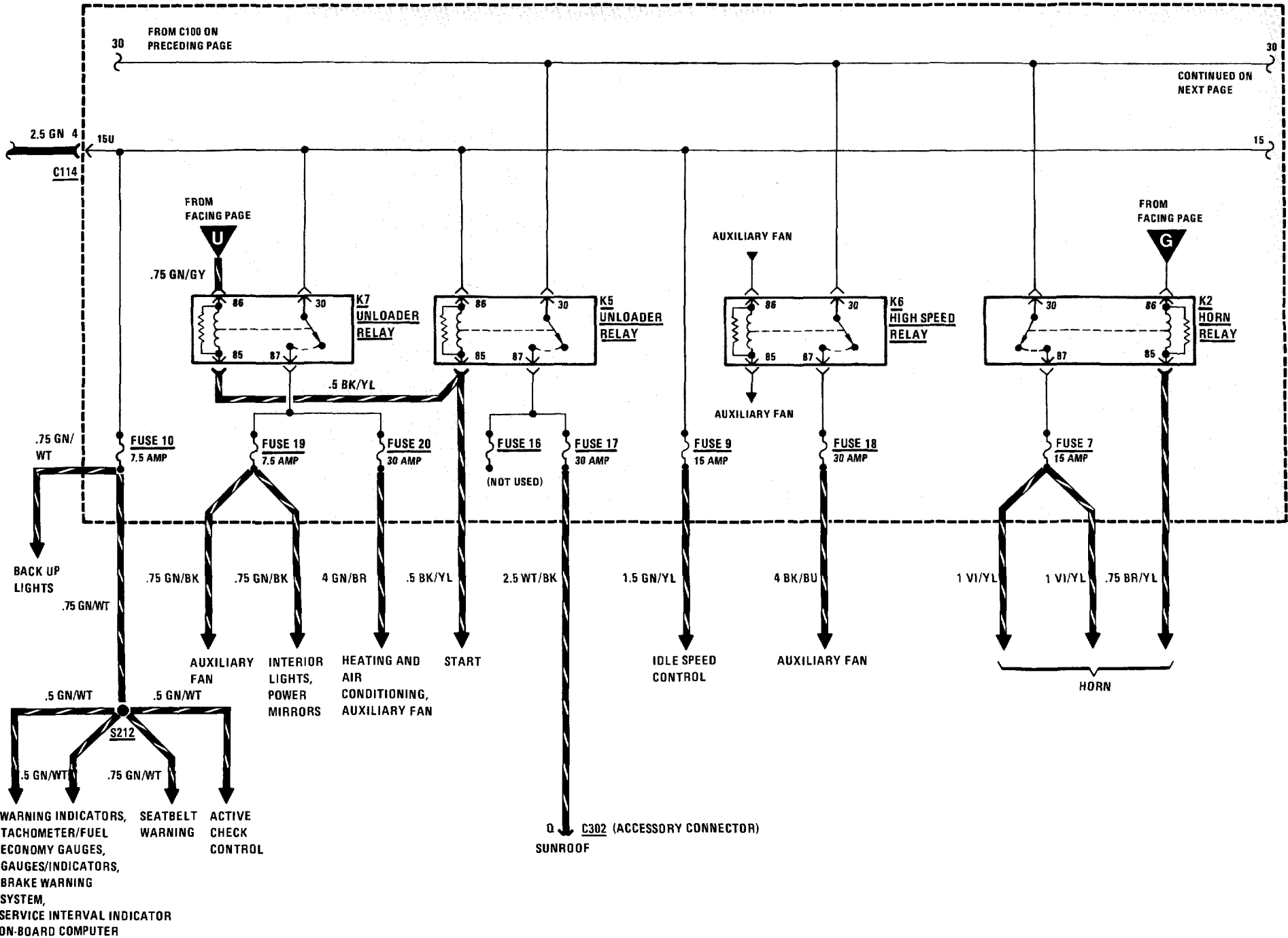
FUSE NO.	SIZE/ COLOR	CIRCUIT NAME
20	30A (LT GN)	Heater/Air Conditioning (also fuse 28).
21	7.5A (BR)	Auto-Charging Flashlight; Glove Box Light; Ignition Key Warning/Seatbelt Warning (also fuse 10); Interior Lights (also fuses 14, 22, 27); Radio (also fuses 12); Trunk Light; Active Check Control (also fuses 4, 6, 10, 22, 23); Service Interval Indicator (also fuse 10); On-Board Computer (also fuses 10, 12, 27); Fuel Delivery; Tachometer/Fuel Economy Gauge (also fuse 10).
22	7.5A (BR)	Active Check Control (also fuses 4, 6, 10, 21, 23); Lights: Front Park/Tail (also fuse 23); Lights: Front Side Marker (also fuse 23).
23	7.5A (BR)	Lights: Dash Lights: Front Park/Tail (also fuse 22); Lights: Front Side Marker (also fuse 22); Lights: Rear Marker/License; Active Check Control (Also fuses 4, 6, 10, 21, 22); Rear Defogger (also fuse 8).
24	15A (LT BU)	Lights: Turn/Hazard Warning (also fuse 4).
25		Not Used.
26		Not Used.
27	30A (LT GN)	Interior Lights (also fuses 19, 21); Central Locking; On-Board Computer (also fuses 10, 12, 21).
28	30A (LT GN)	Cigar Lighter; Power Antenna.
29	7.5A (BR)	Fog Lights (also fuse 30).
30	7.5 (BR)	Fog Lights (also fuse 29).

104 POWER DISTRIBUTION

(For Component Locations See Page 212)



POWER DISTRIBUTION BOX



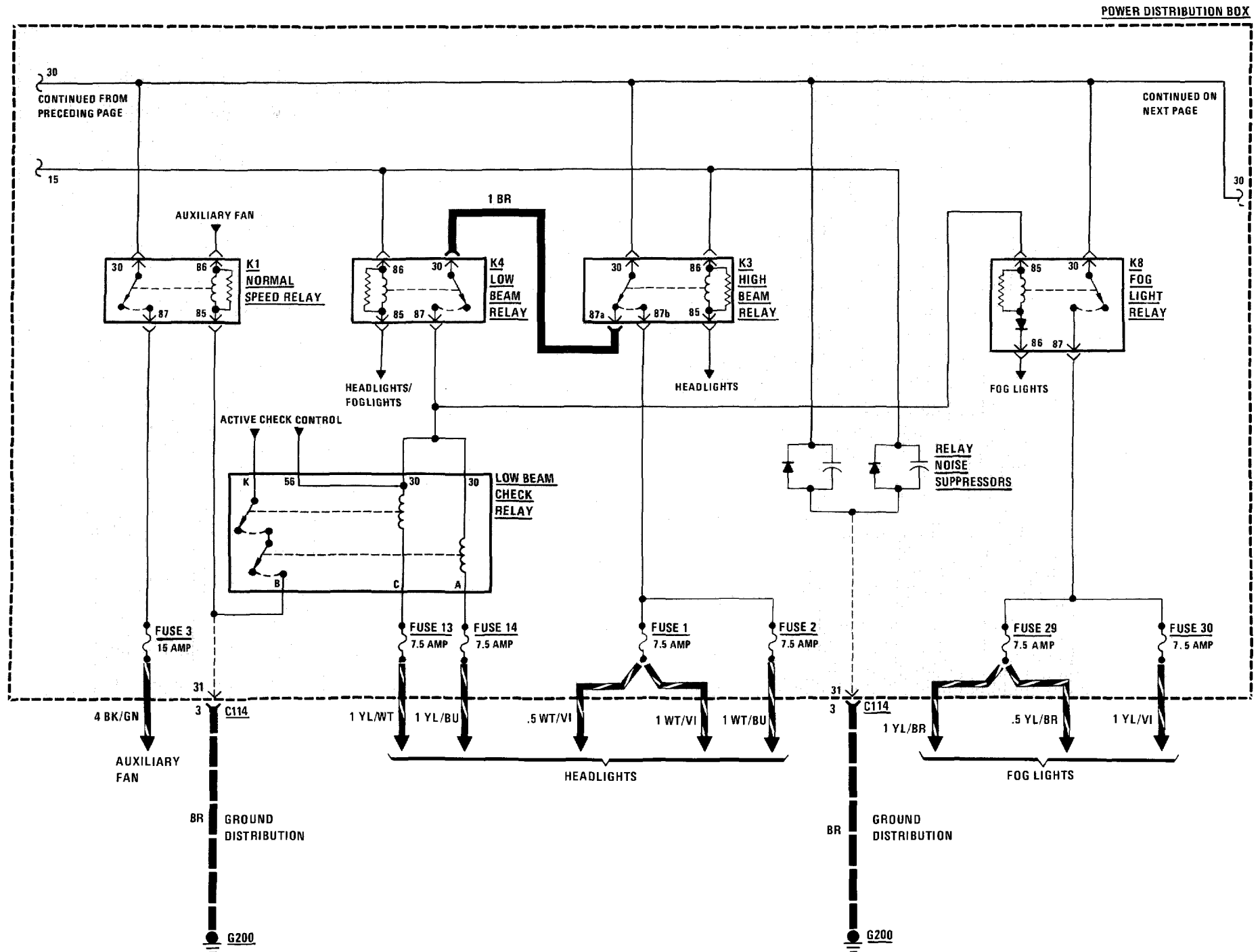
WARNING INDICATORS, TACHOMETER/FUEL ECONOMY GAUGES, GAUGES/INDICATORS, BRAKE WARNING SYSTEM, SERVICE INTERVAL INDICATOR ON-BOARD COMPUTER

SEATBELT WARNING

ACTIVE CHECK CONTROL

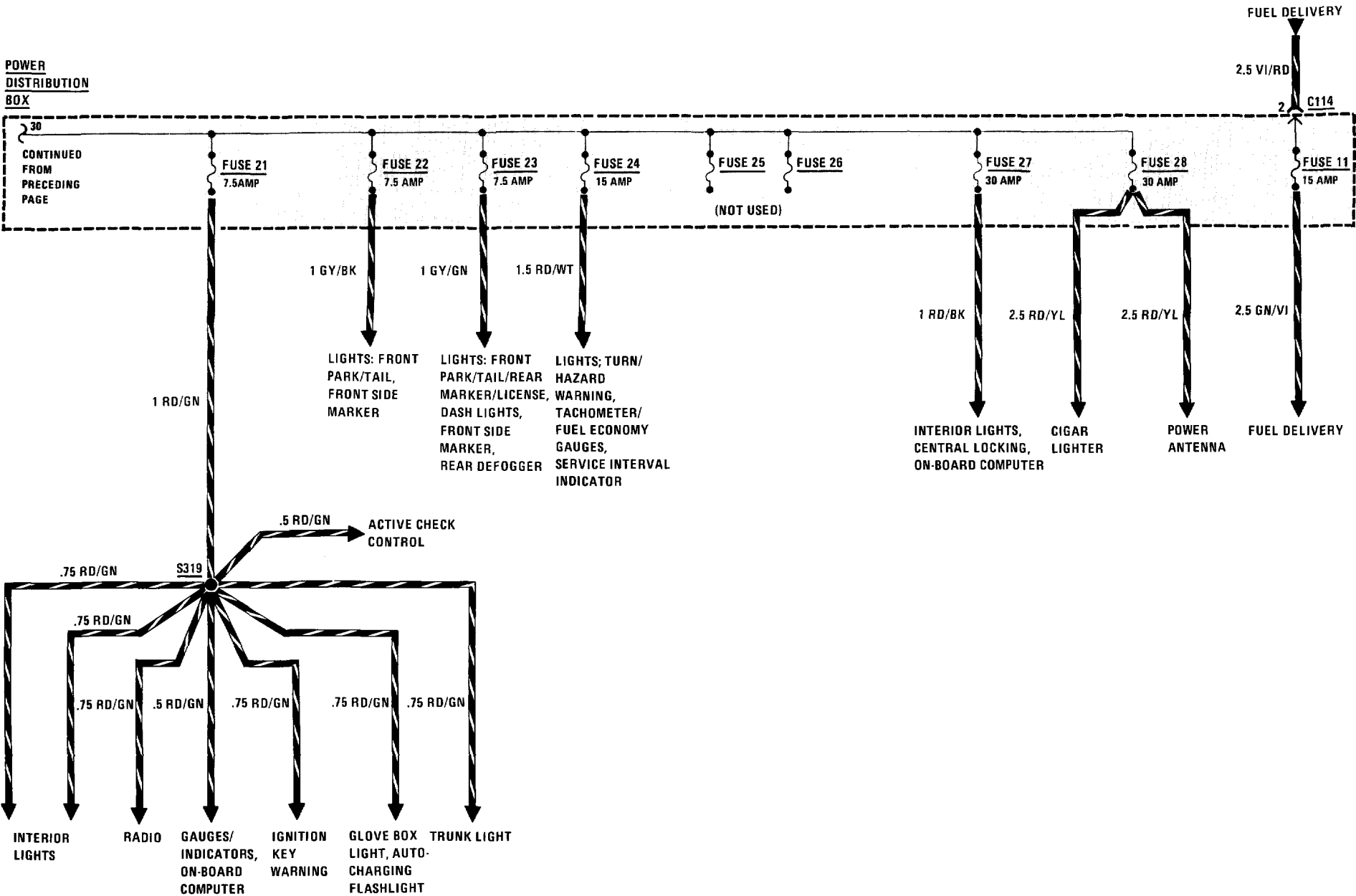
106 POWER DISTRIBUTION

(For Component Locations See Page 212)



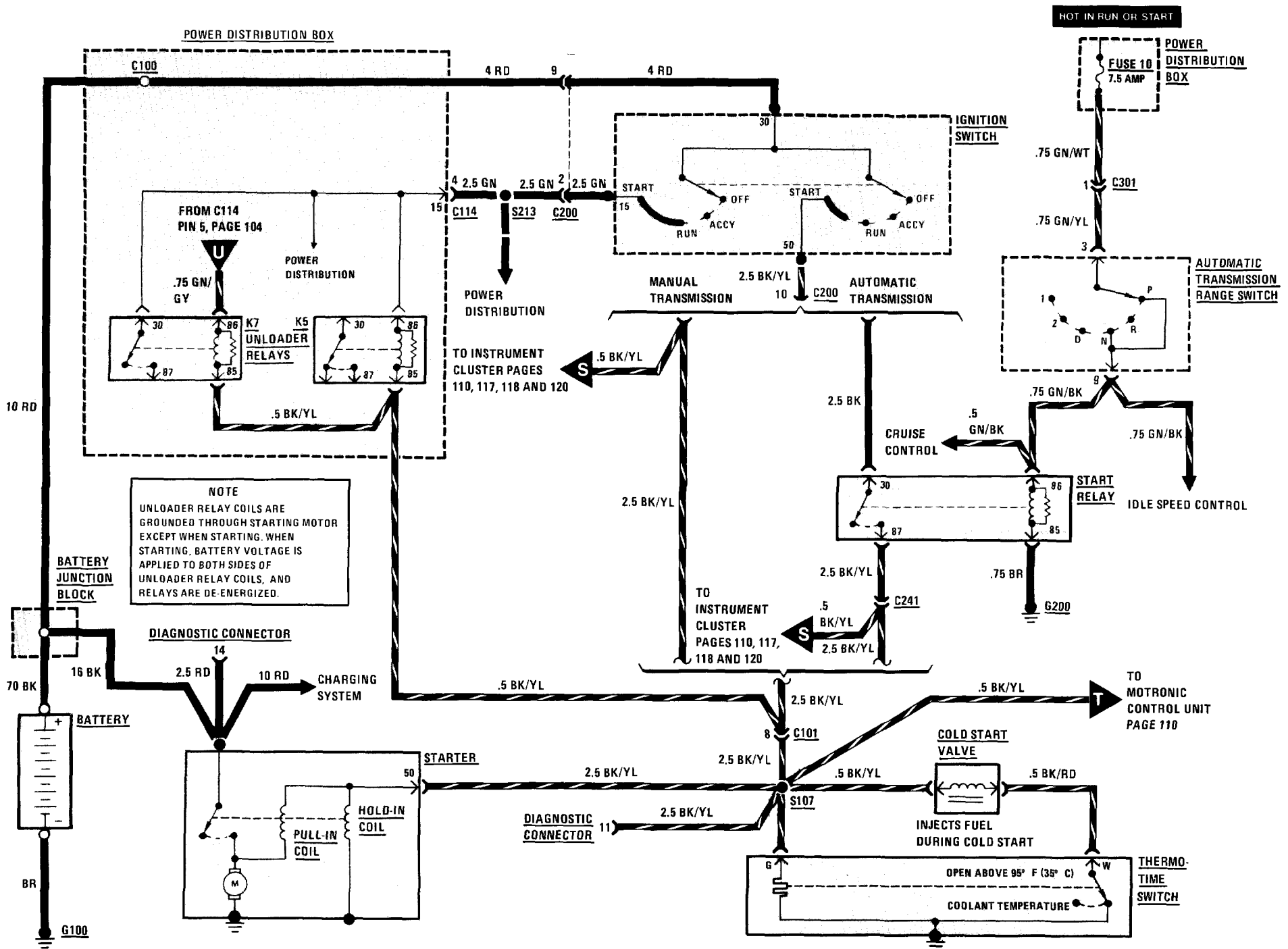
(For Component Locations See Page 212)

POWER DISTRIBUTION BOX

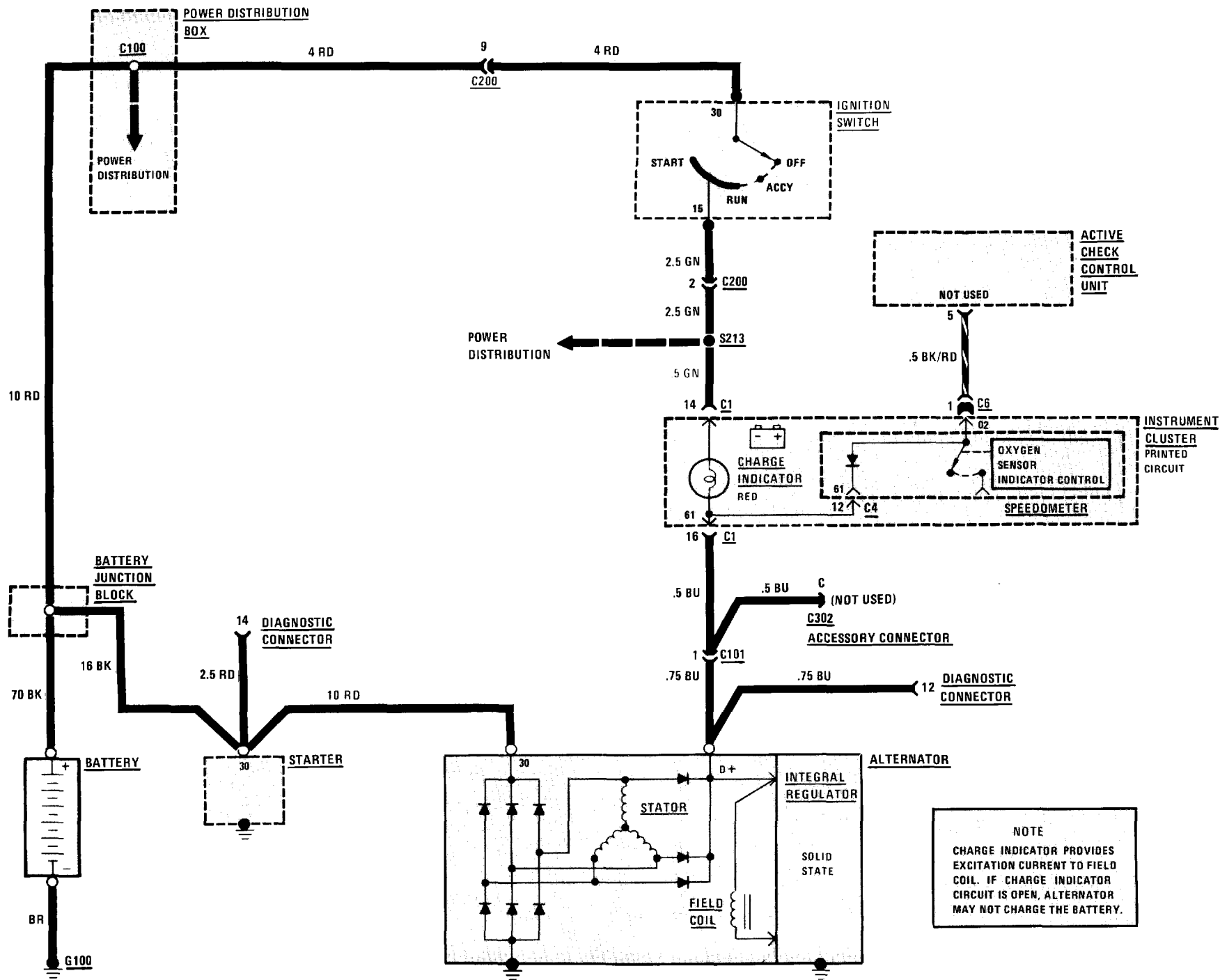


108 START

(For Component Locations See Page 208)



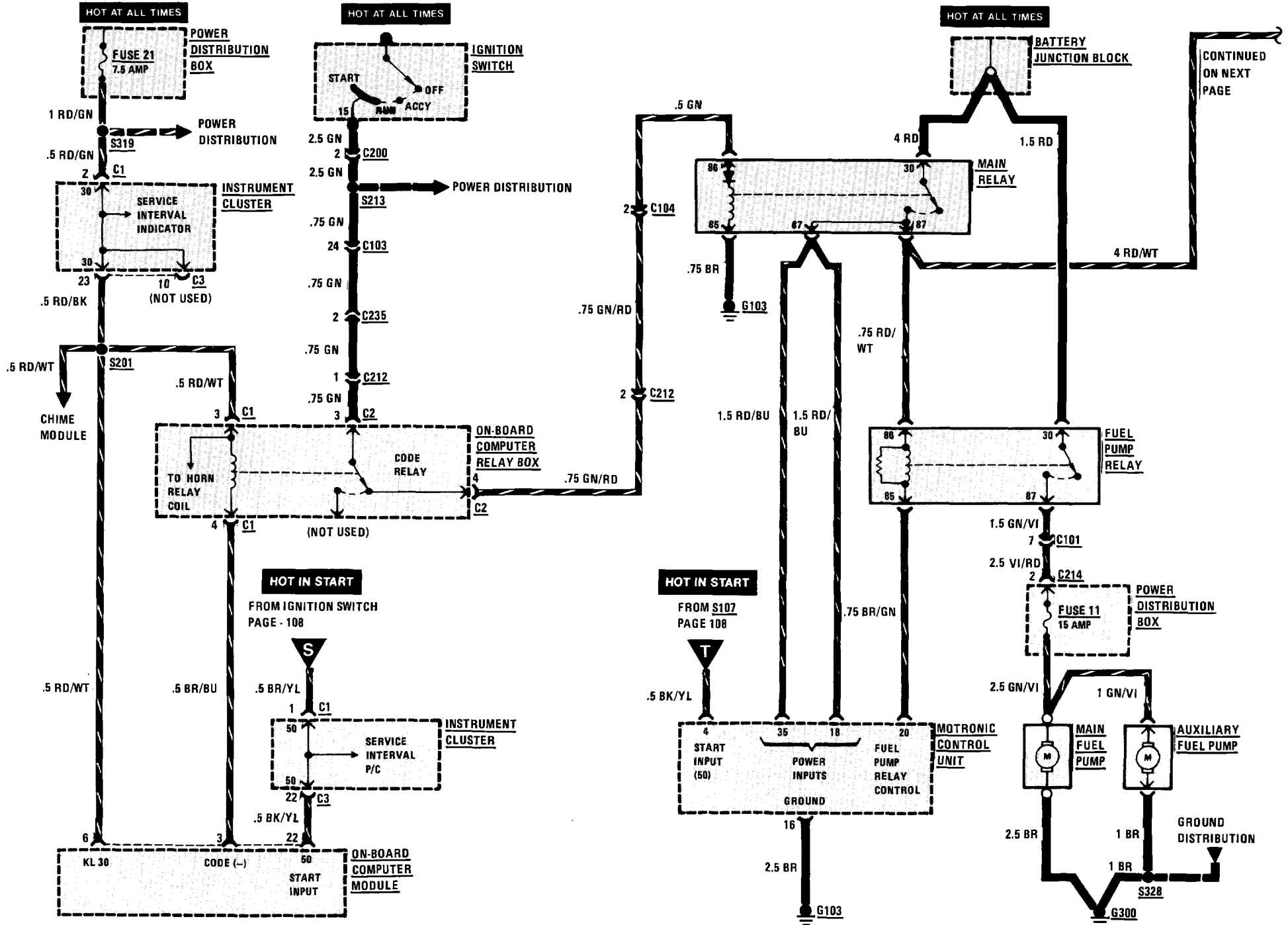
(For Component Locations See Page 206)



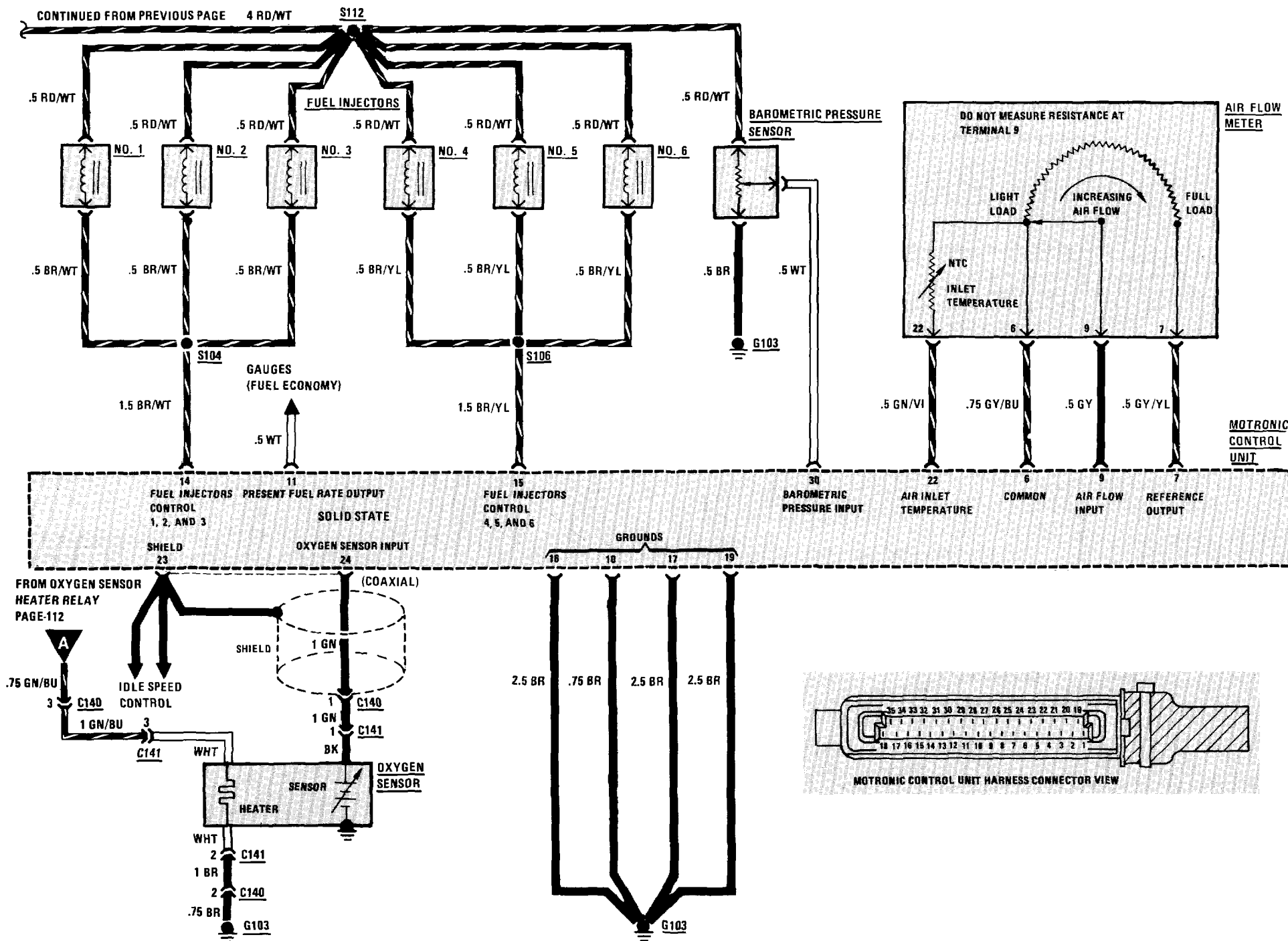
NOTE
 CHARGE INDICATOR PROVIDES EXCITATION CURRENT TO FIELD COIL. IF CHARGE INDICATOR CIRCUIT IS OPEN, ALTERNATOR MAY NOT CHARGE THE BATTERY.

110 FUEL DELIVERY

(For Component Locations See Page 207)

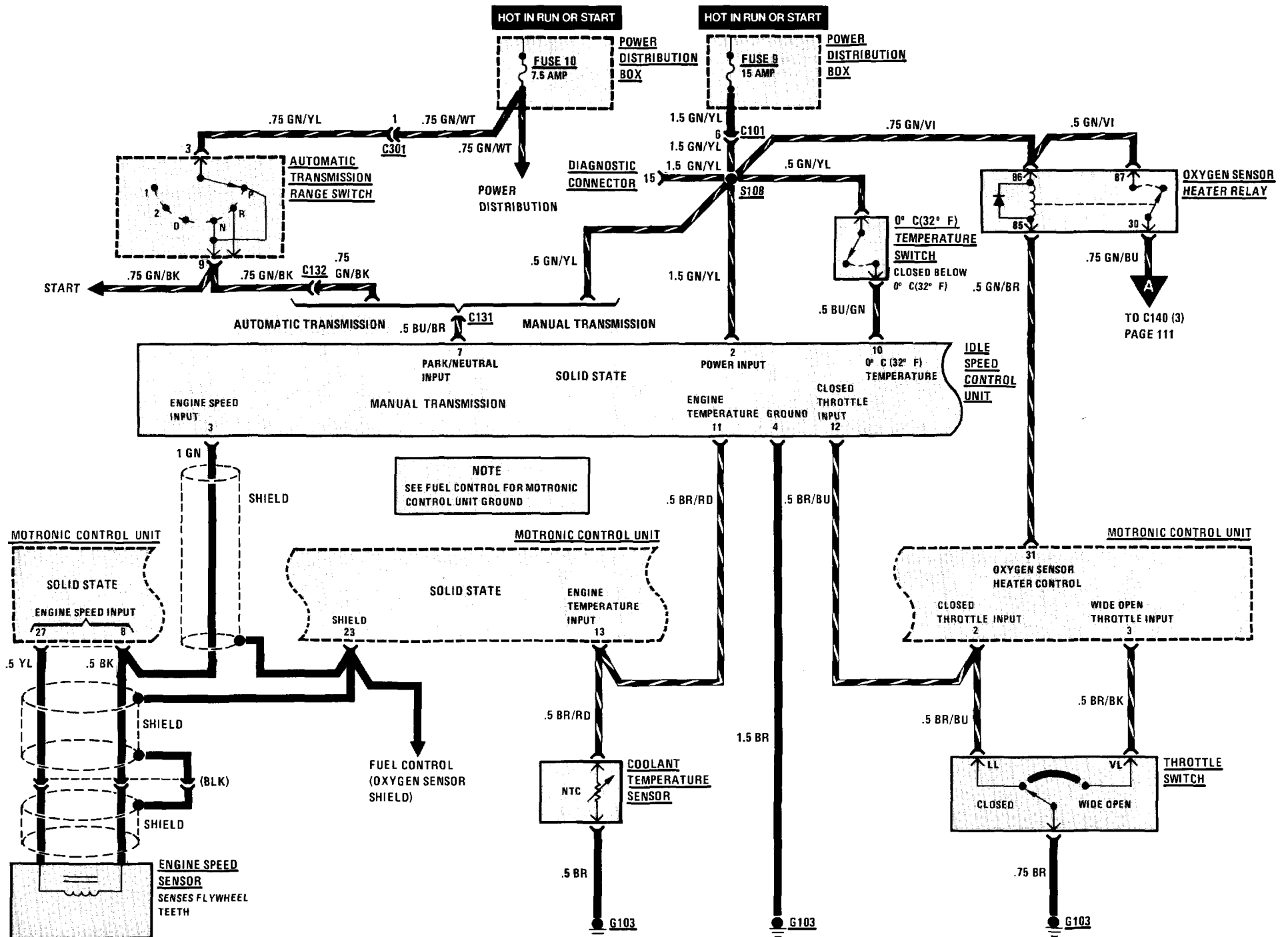


(For Component Locations See Page 207)

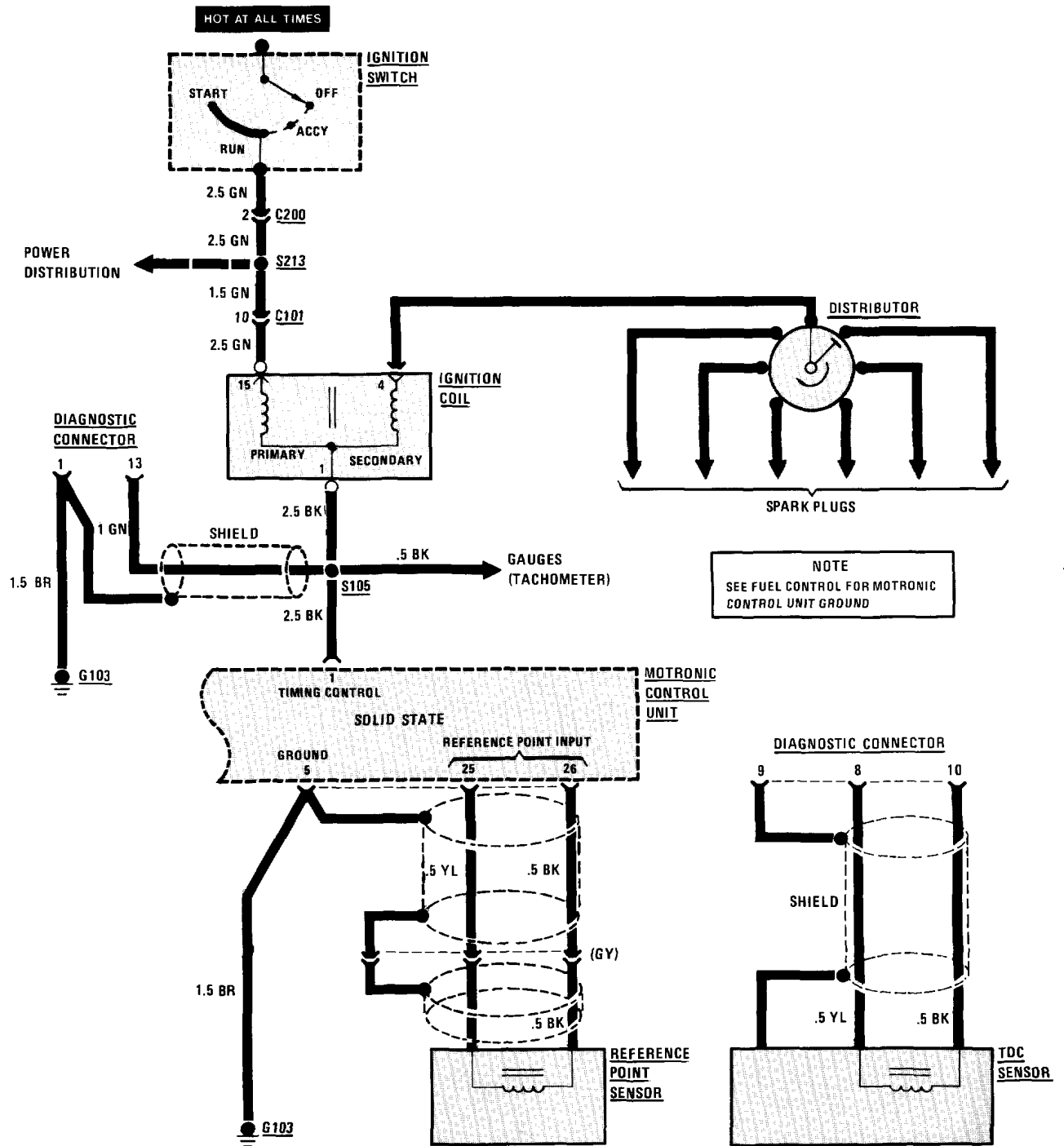
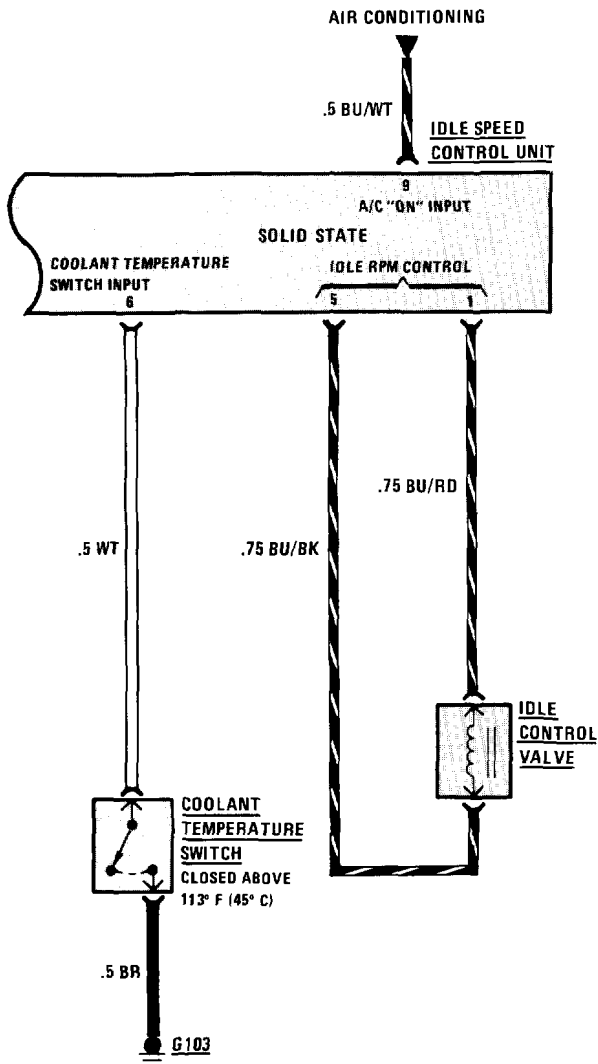


112 IDLE SPEED CONTROL

(For Component Locations See Page 207)

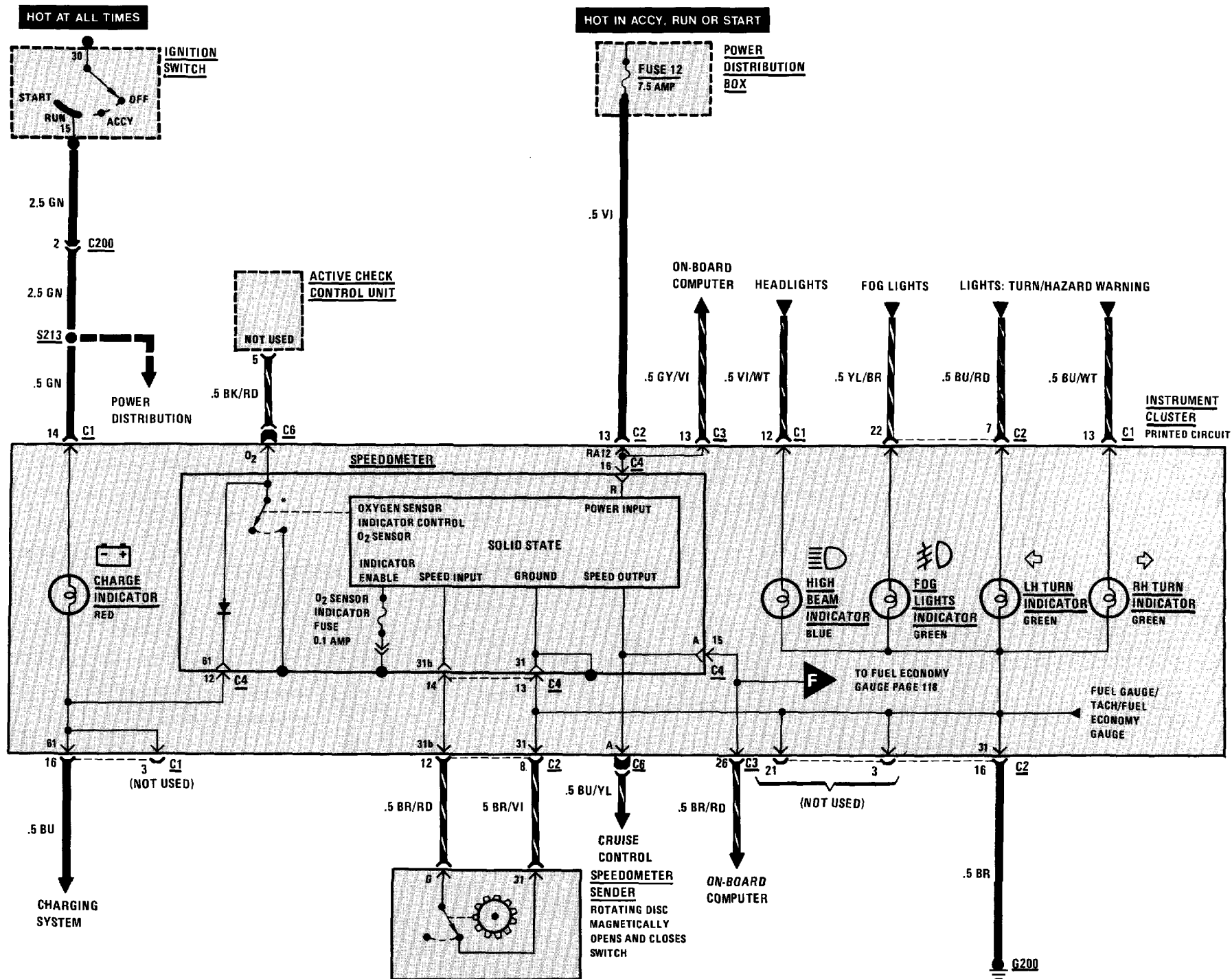


(For Component Locations See Page 208)

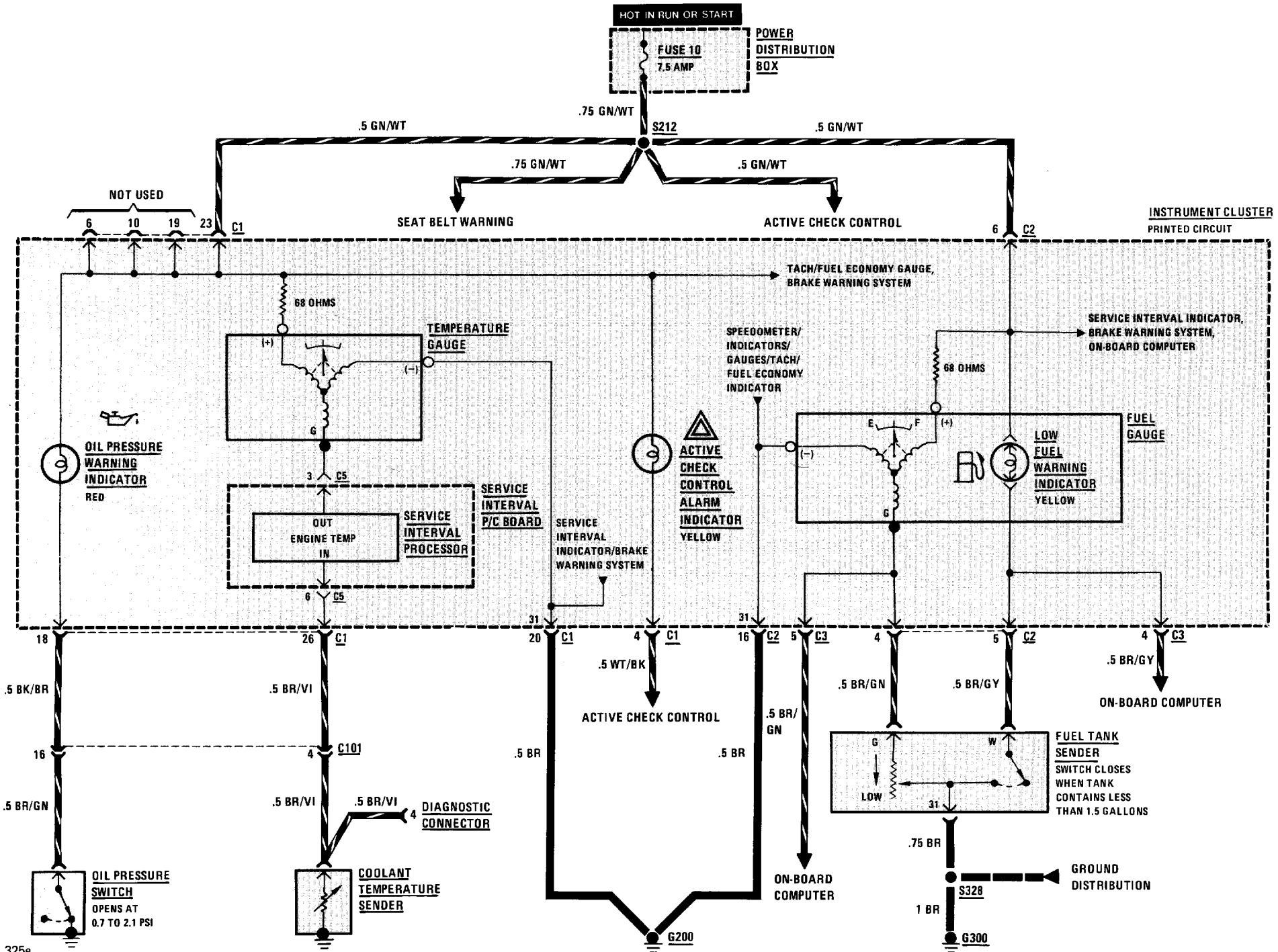


114 SPEEDOMETER/INDICATORS

(For Component Locations See Page 213)

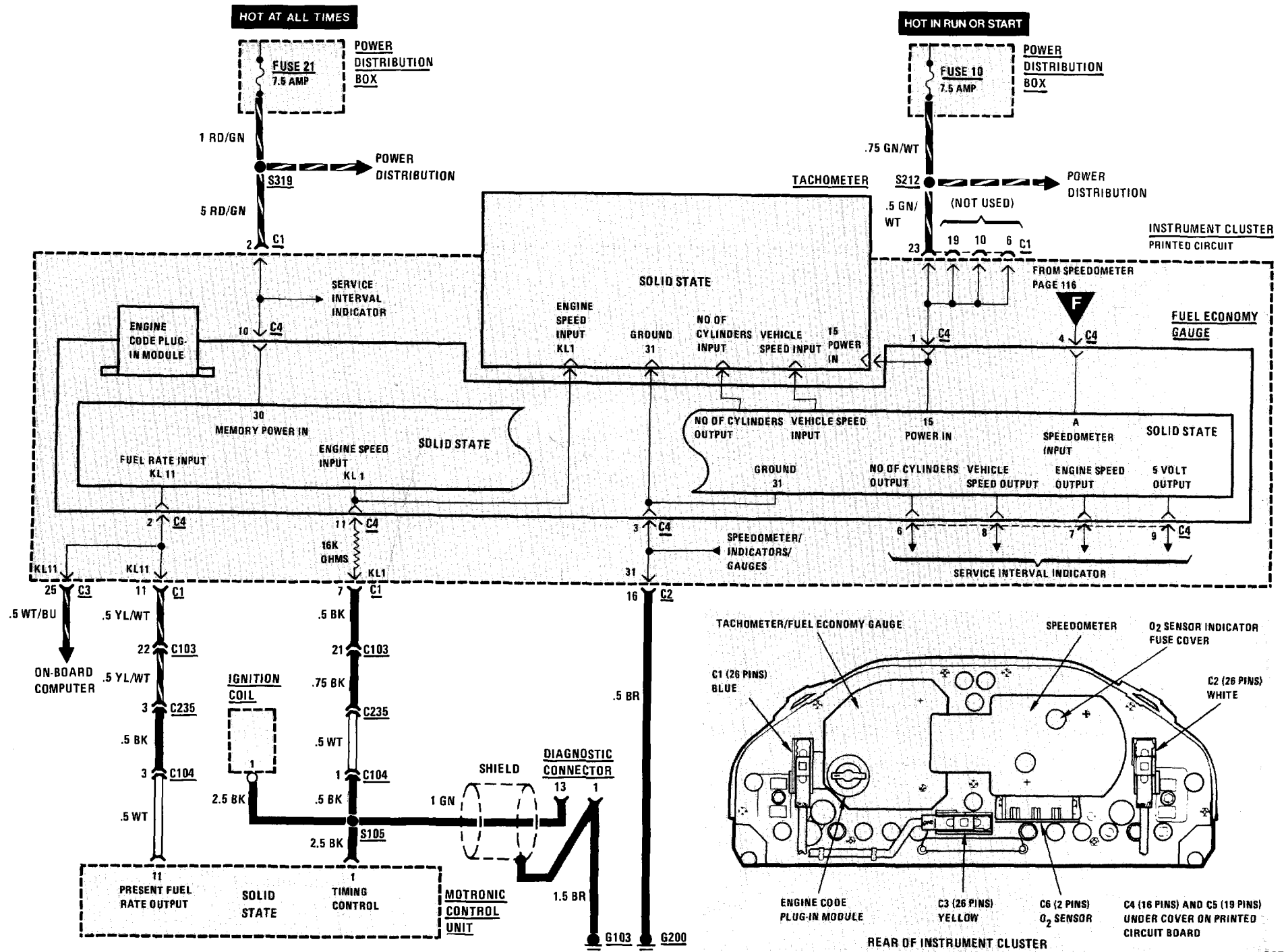


(For Component Locations See Page 213)

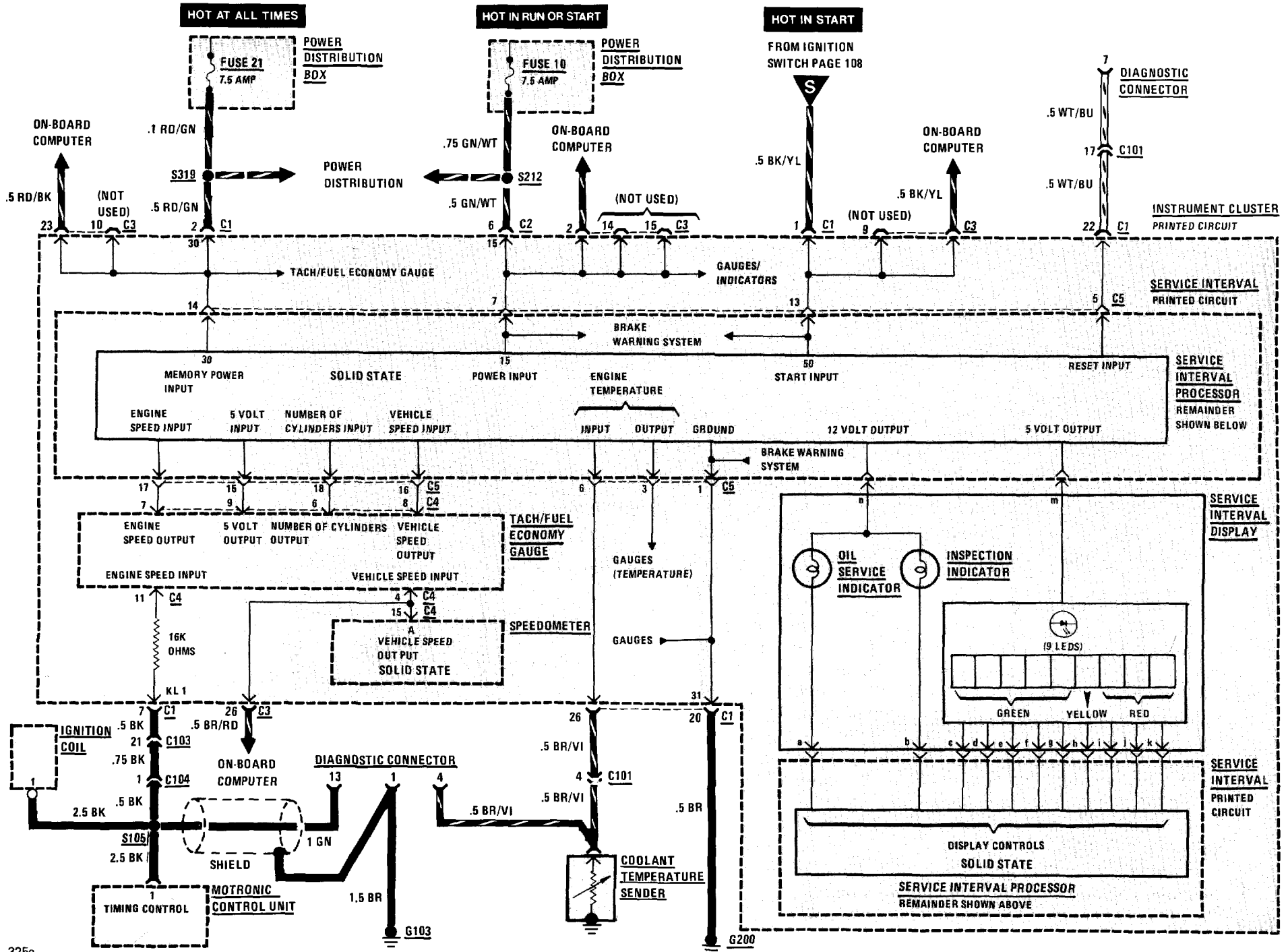


116 TACHOMETER/FUEL ECONOMY GAUGE

(For Component Locations See Page 214)

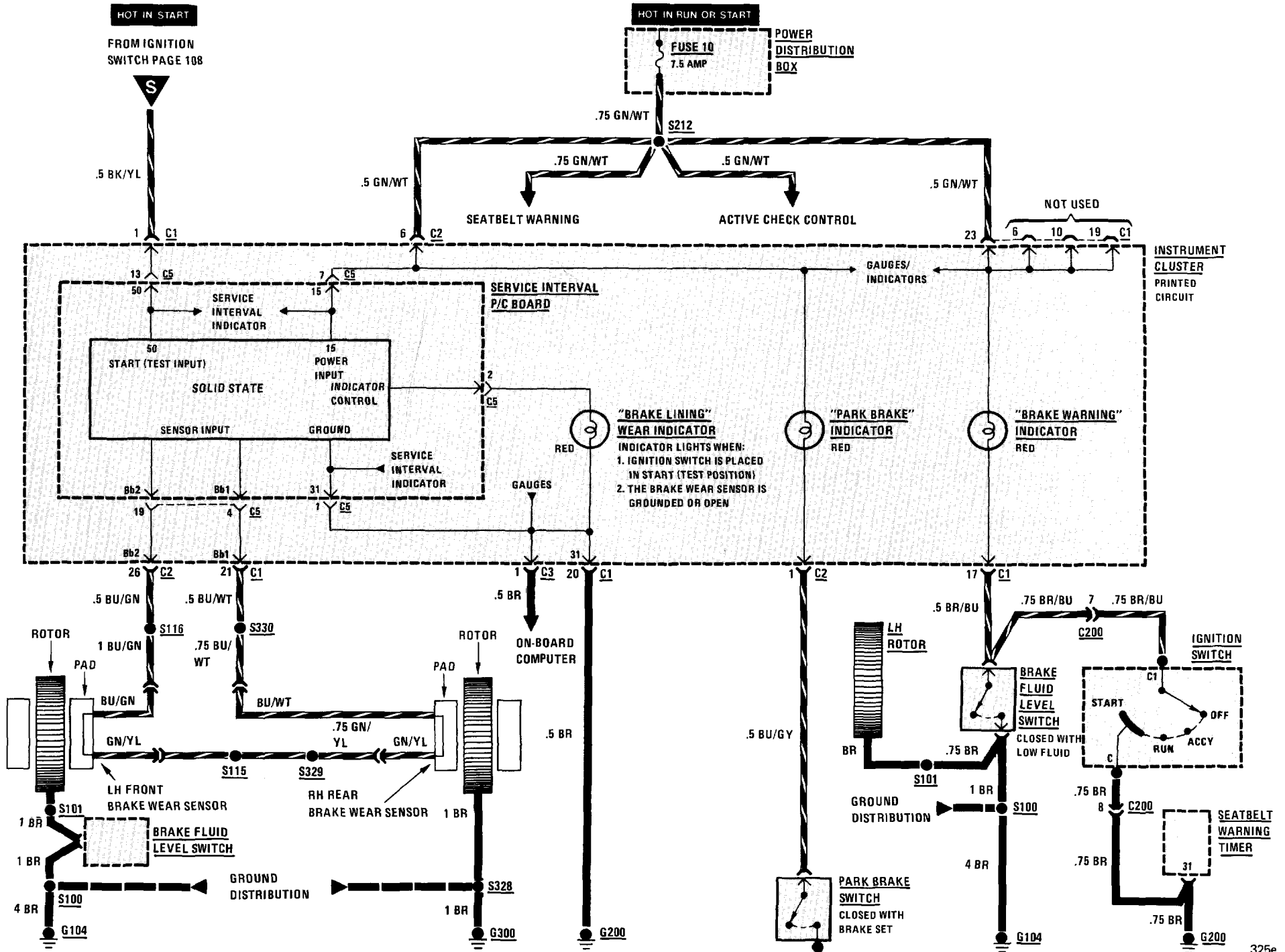


(For Component Locations See Page 213)

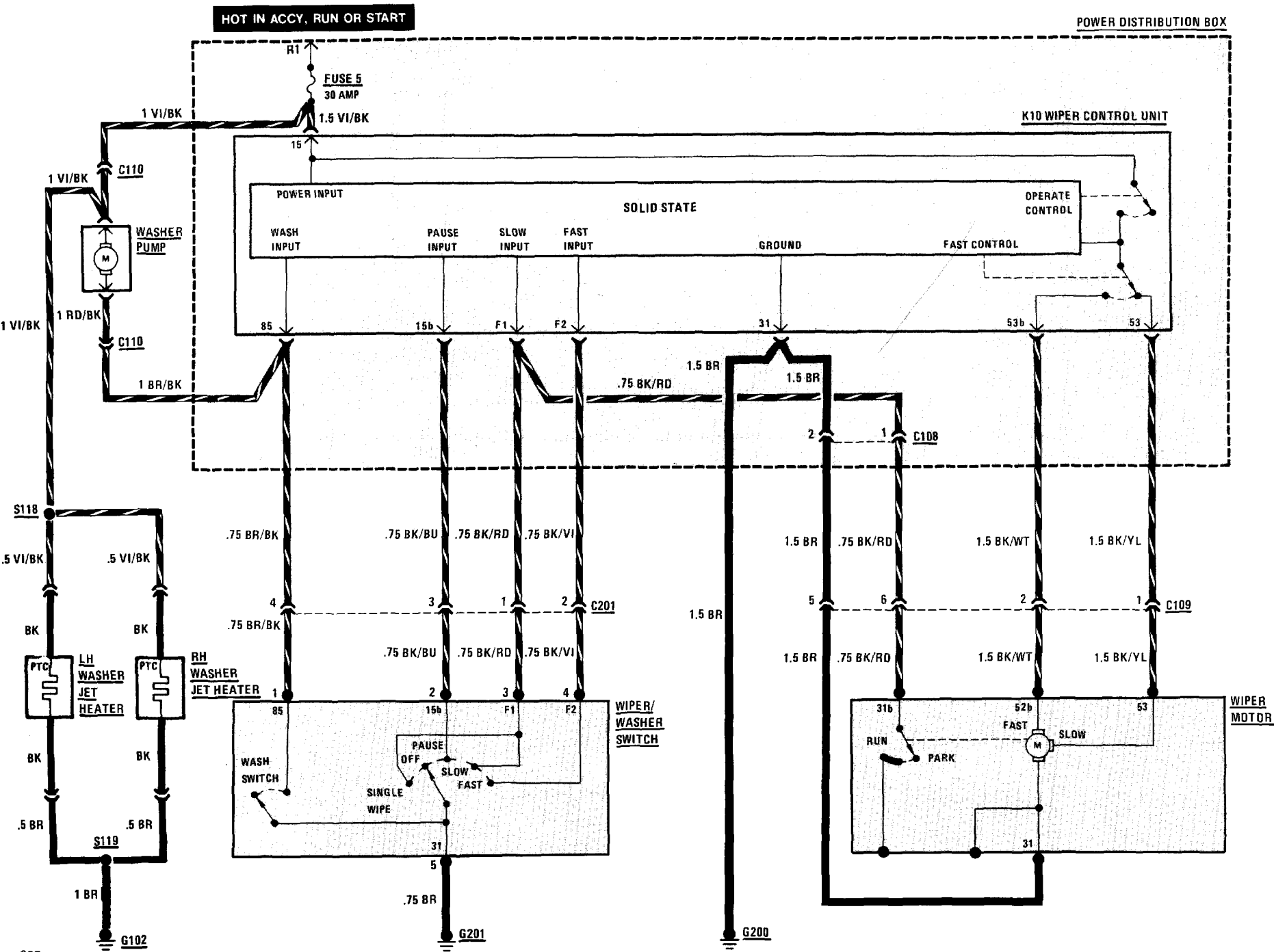


118 BRAKE WARNING SYSTEM

(For Component Locations See Page 202)

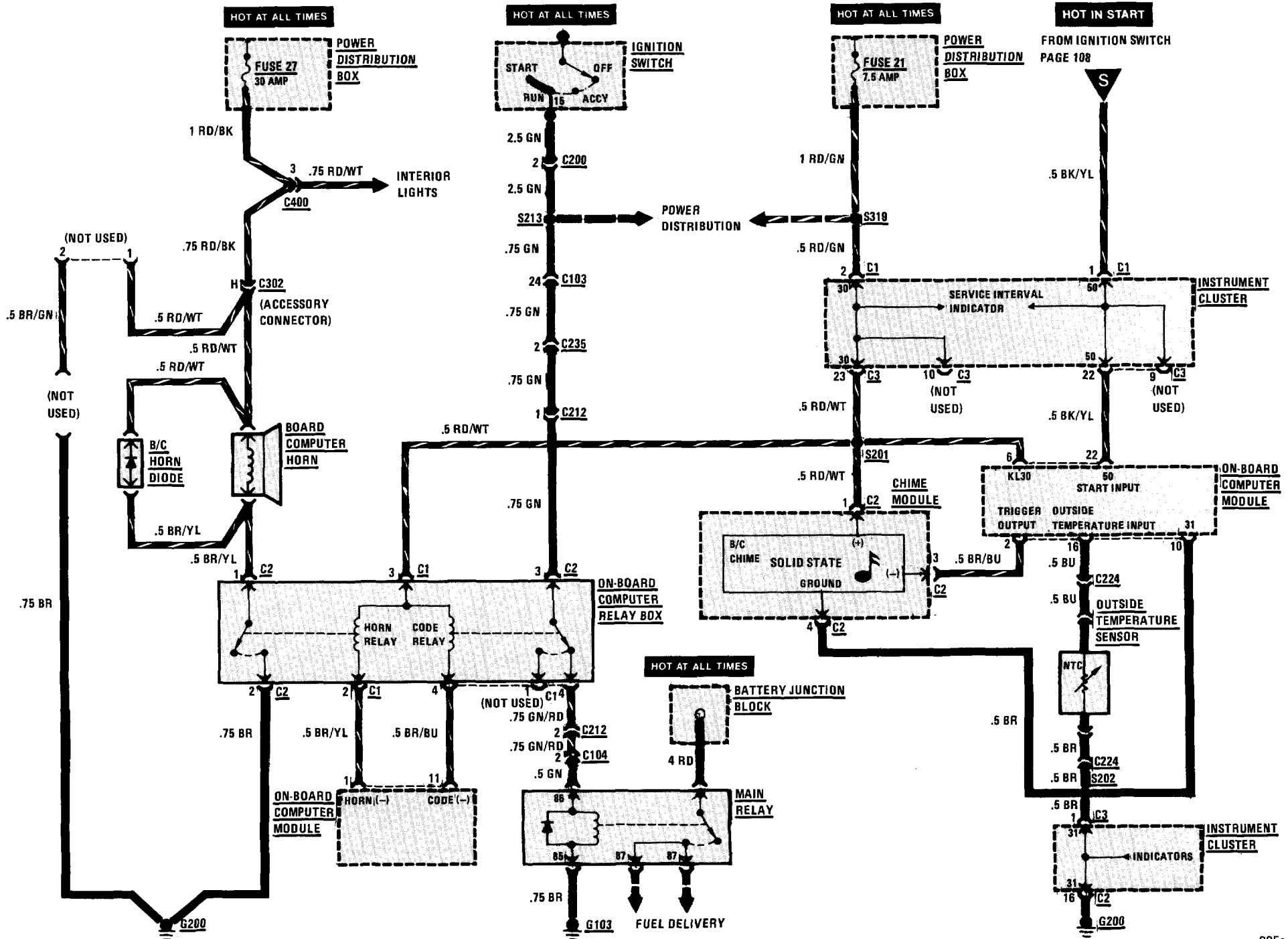


(For Component Locations See Page 215)

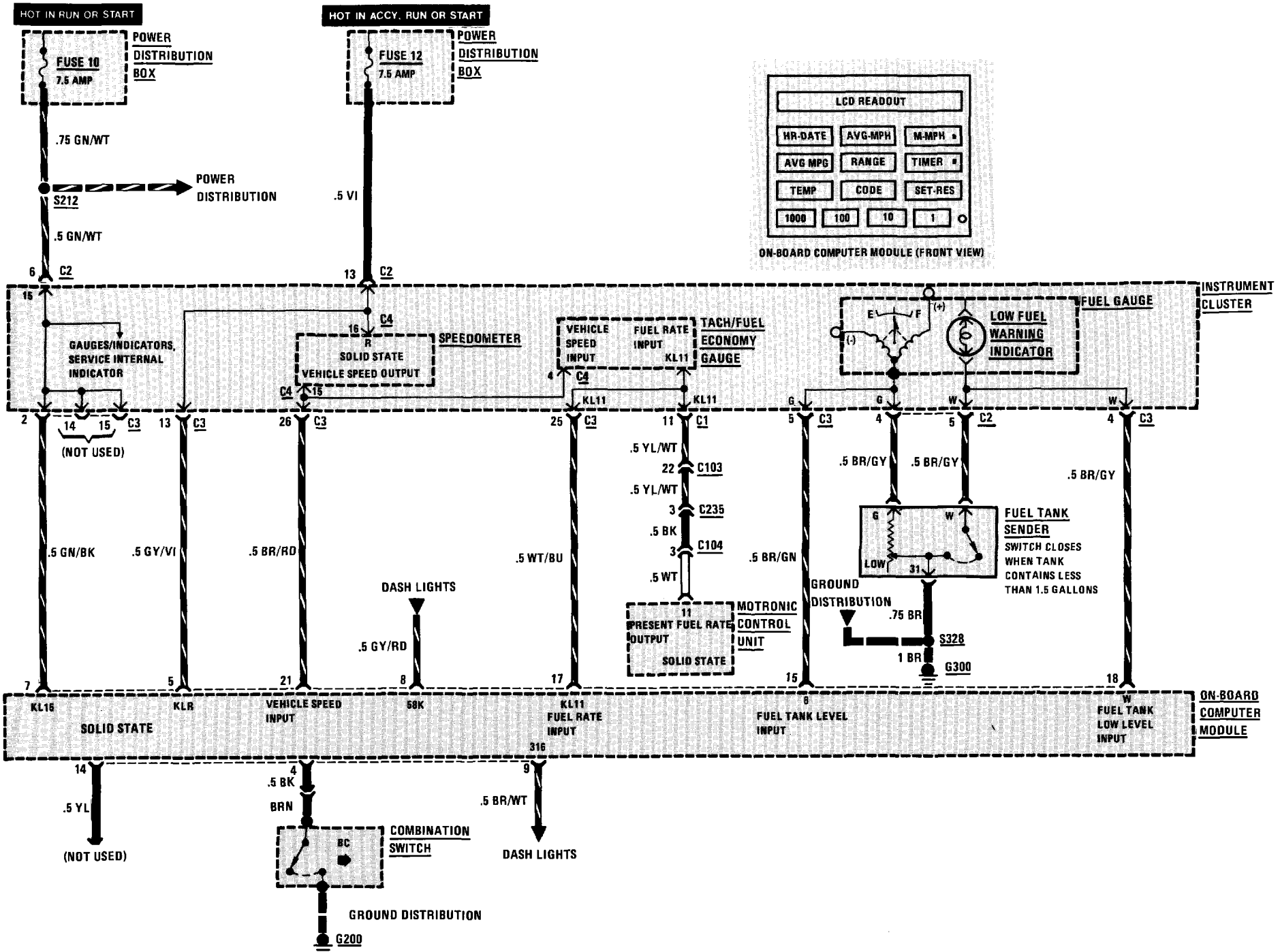


120 ON-BOARD COMPUTER

(For Component Locations See Page 211)

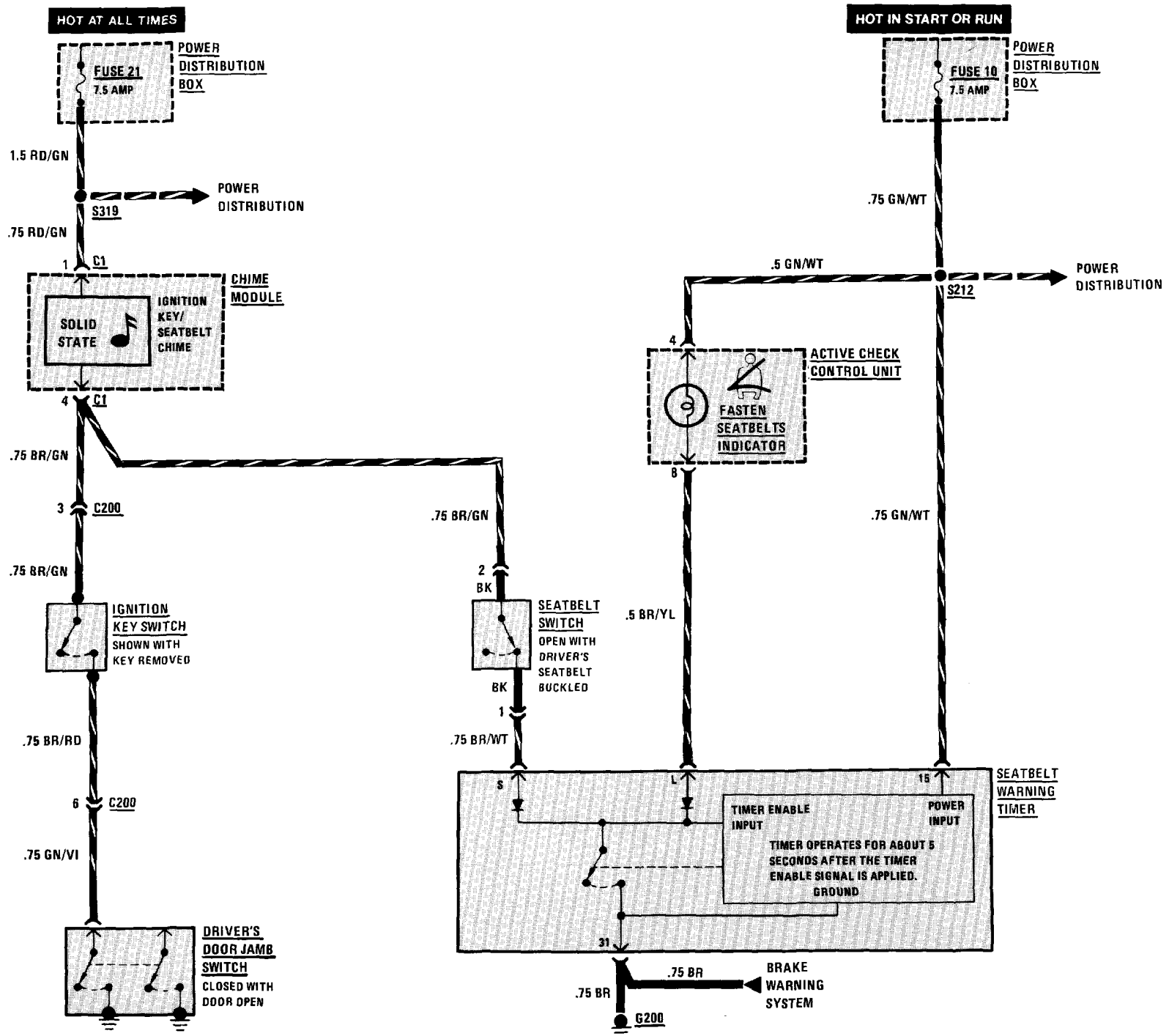


(For Component Locations See Page 211)



122 IGNITION KEY WARNING/SEATBELT WARNING

(For Component Locations See Page 210)



(For Component Locations See Page 201)

ACTIVE CHECK CONTROL

1. When the Ignition Switch is initially placed in "Run," the Active Check Control Arm Indicator flashes, and the Active Check Control Unit Brake Light LED and panel light illuminate for test purposes. Depressing the brake pedal clears the display.
2. When the Ignition Switch is placed in "Run," fault monitoring begins. To monitor the low beams, rear lights, or license lights, those circuits must be on. The brake lights are monitored only while the brake pedal is depressed.
3. When a fault occurs, the alarm indicator flashes, the appropriate LED fault indicator lights, and the panel light goes on for five seconds. Depressing the test button will clear the alarm indicator, but the LED fault indicator remains on.
4. To test the unit, depress the test button. The LED fault indicators and the panel lights should go on.

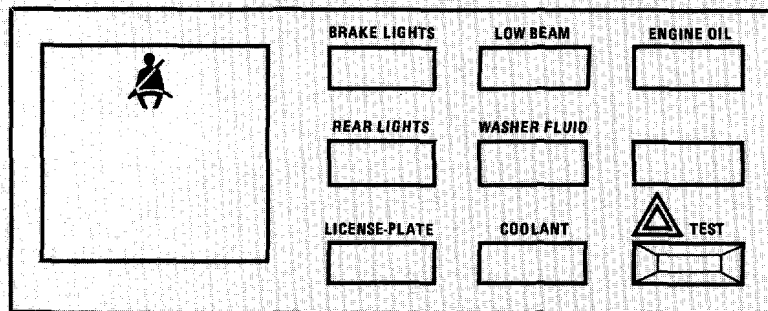
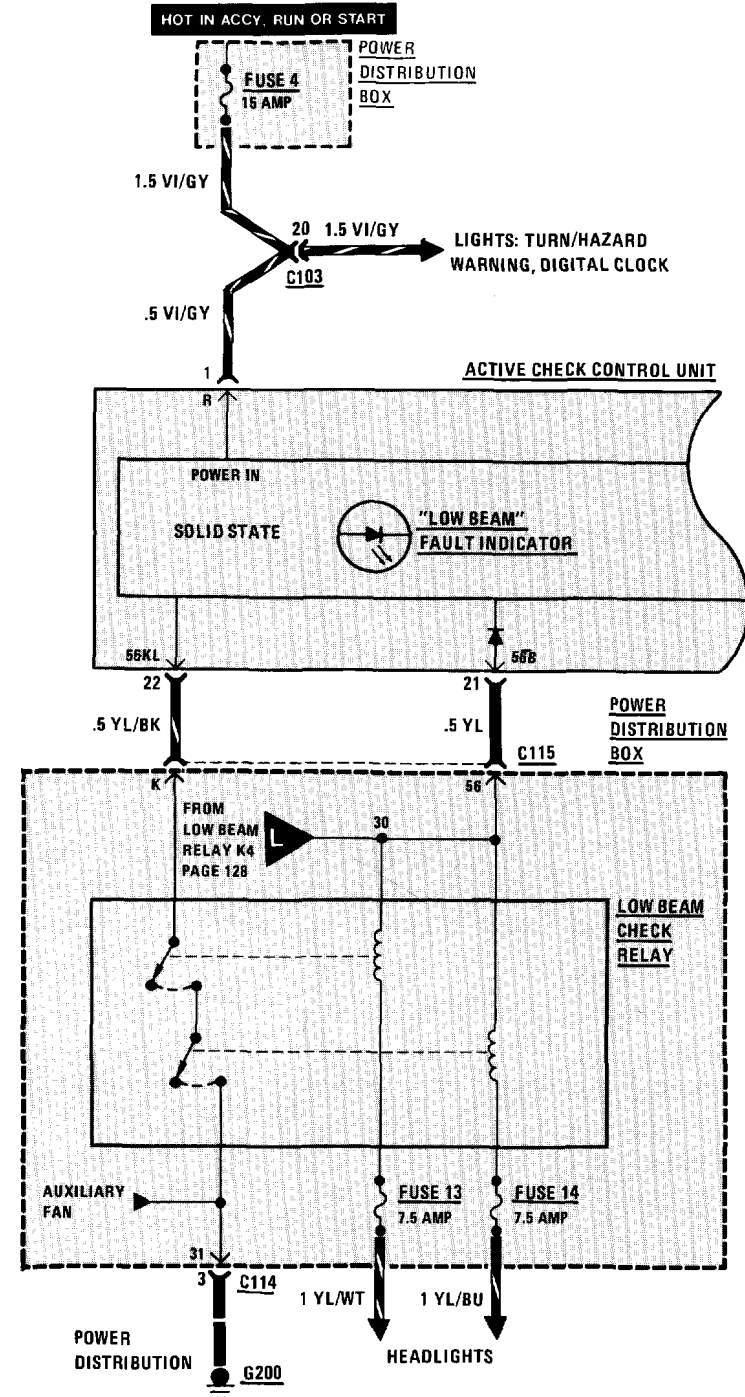
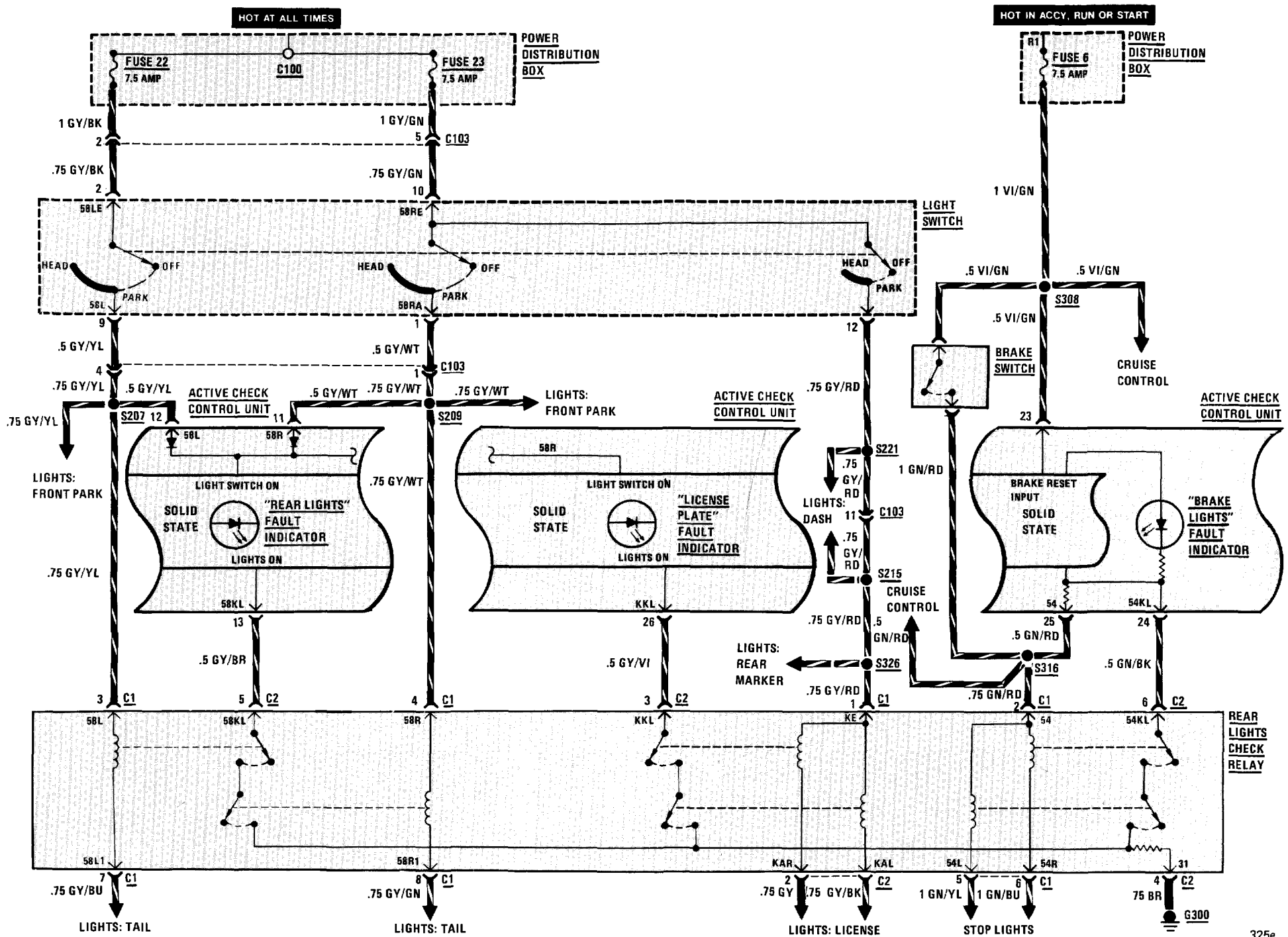


Figure 1 - Active Check Control Unit Above Rear View Mirror

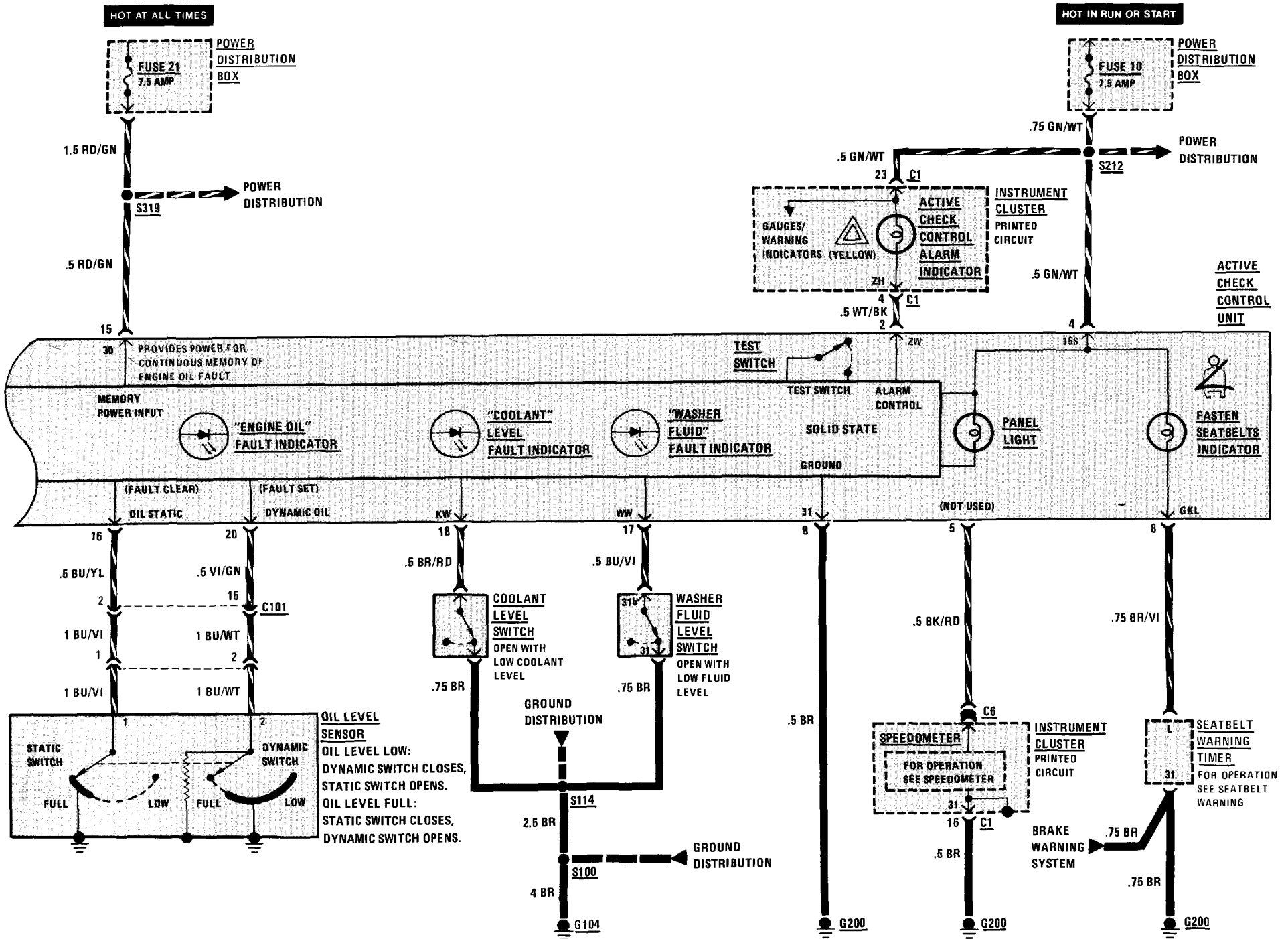


124 ACTIVE CHECK CONTROL

(For Component Locations See Page 201)

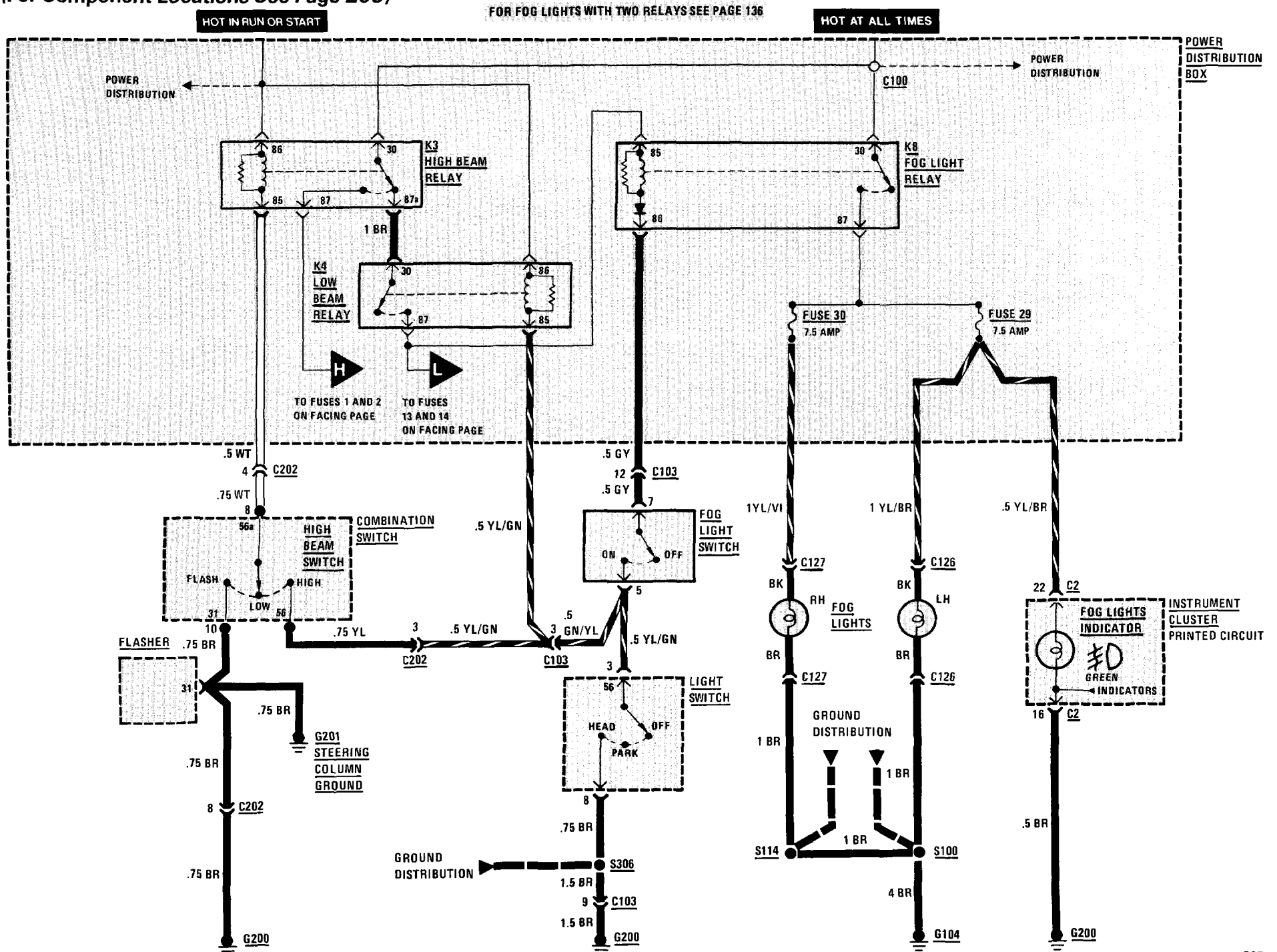


(For Component Locations See Page 201)

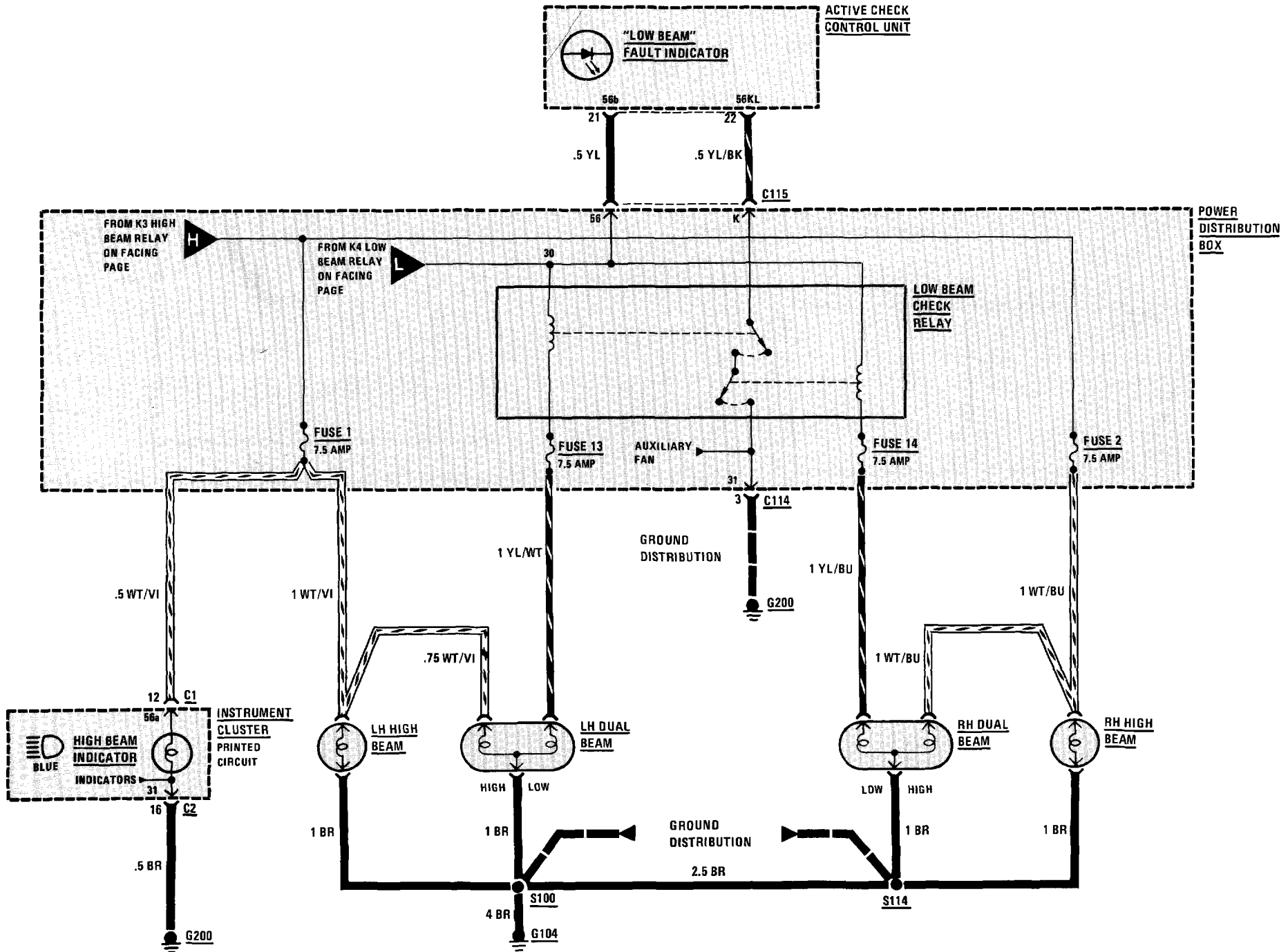


126 HEADLIGHTS (CONTROL)/FOGLIGHTS

(For Component Locations See Page 209)

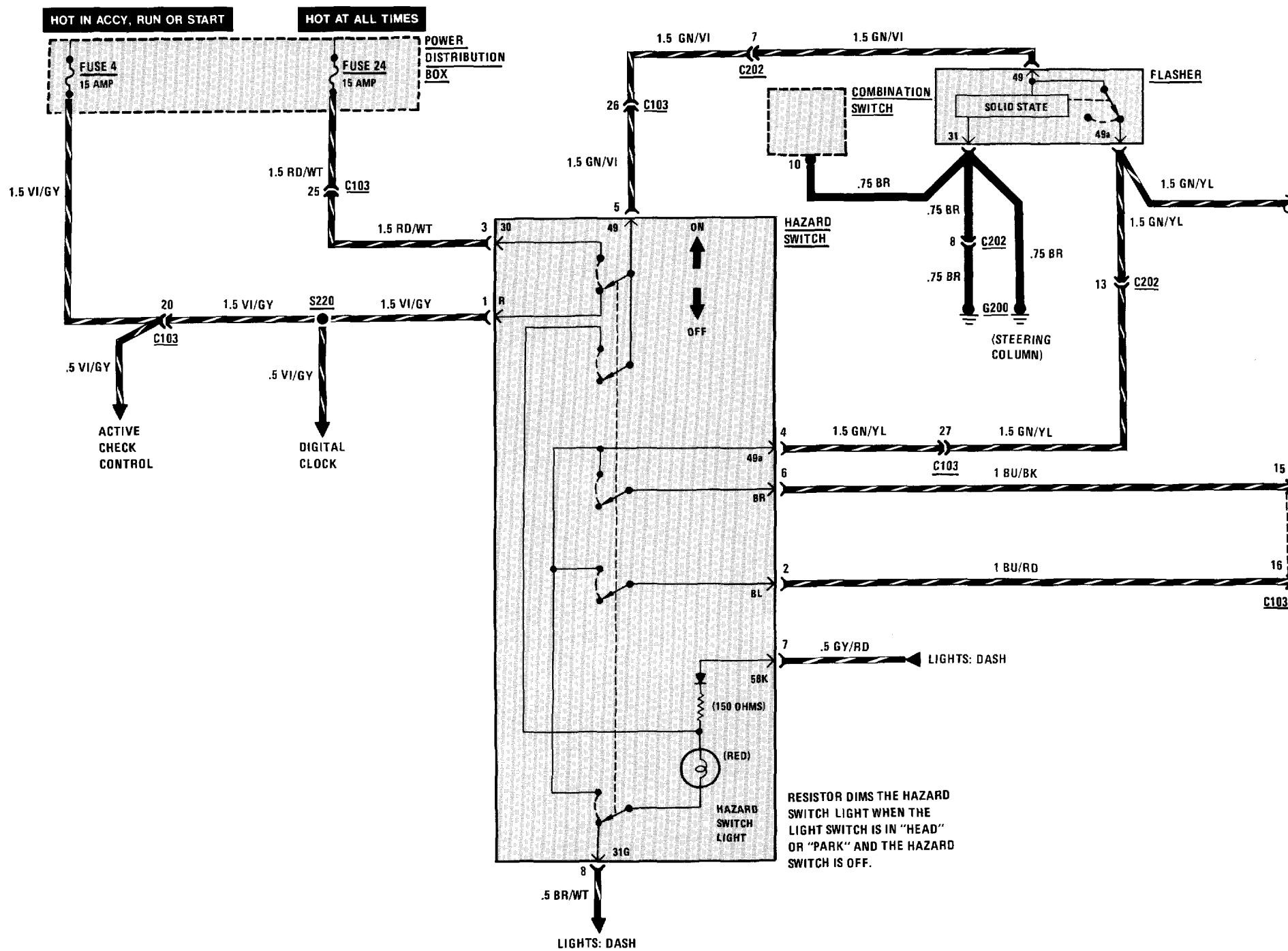


(For Component Locations See Page 209)

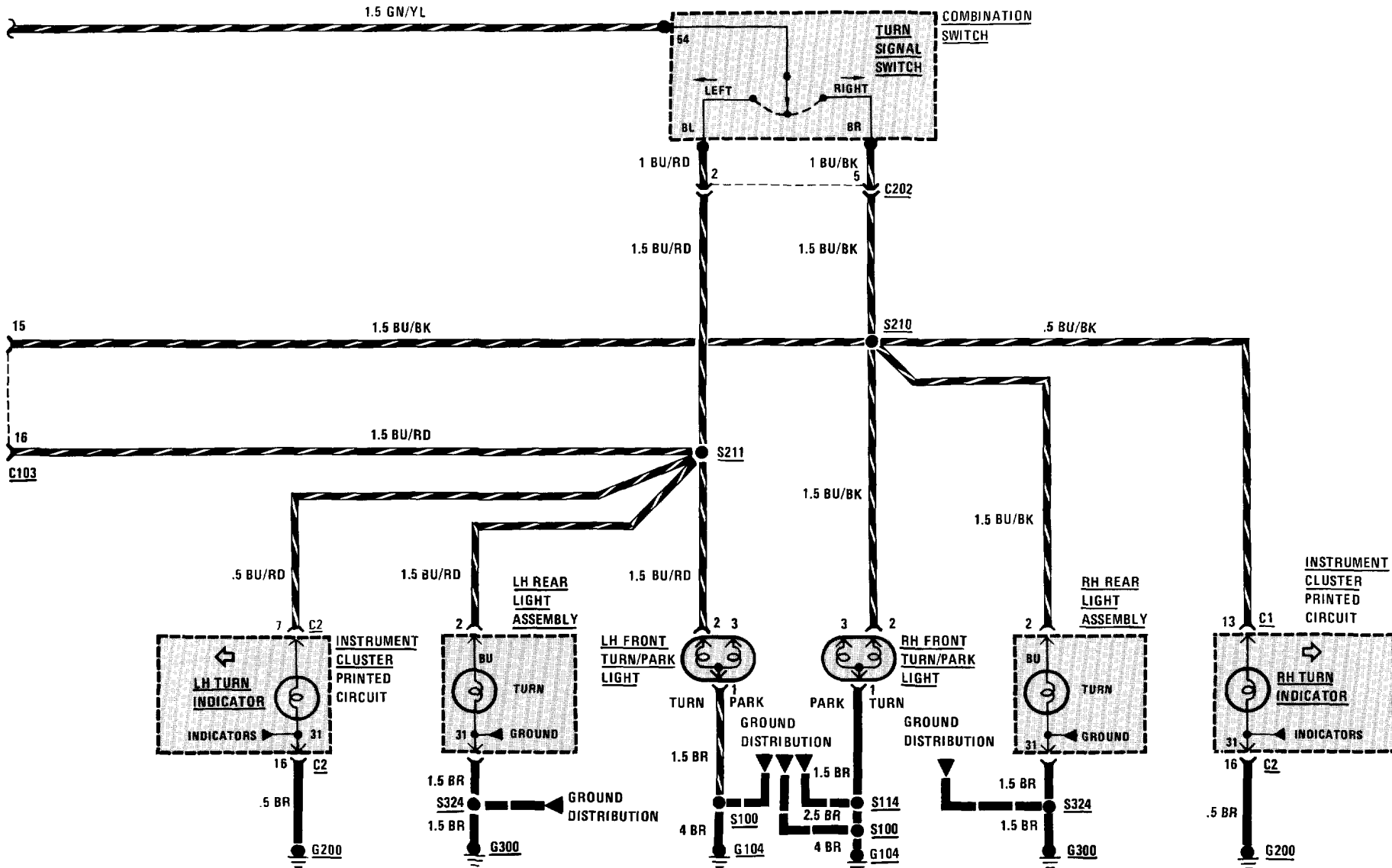


128 LIGHTS: TURN/HAZARD WARNING

(For Component Locations See Page 211)



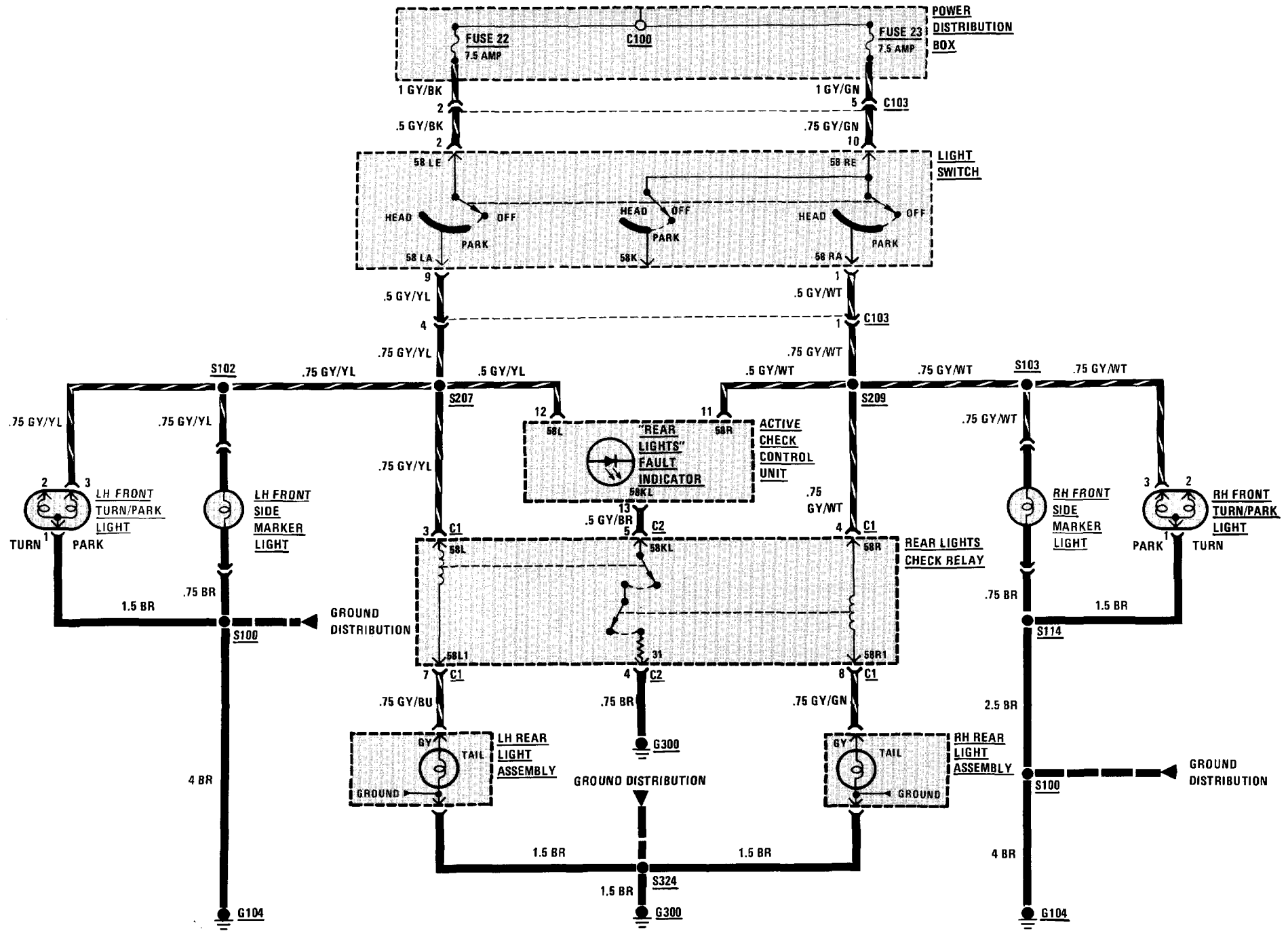
(For Component Locations See Page 211)



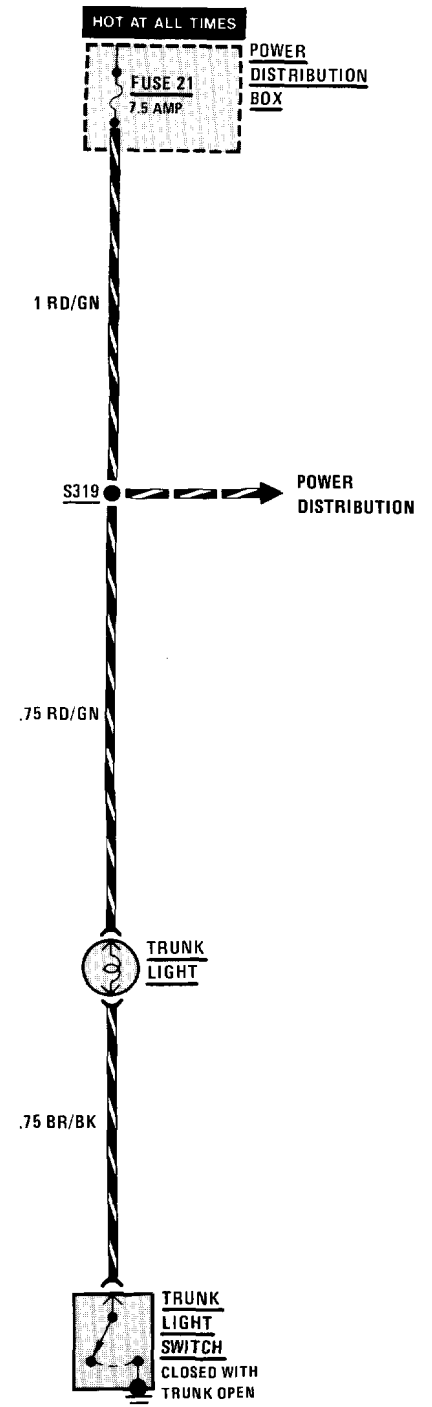
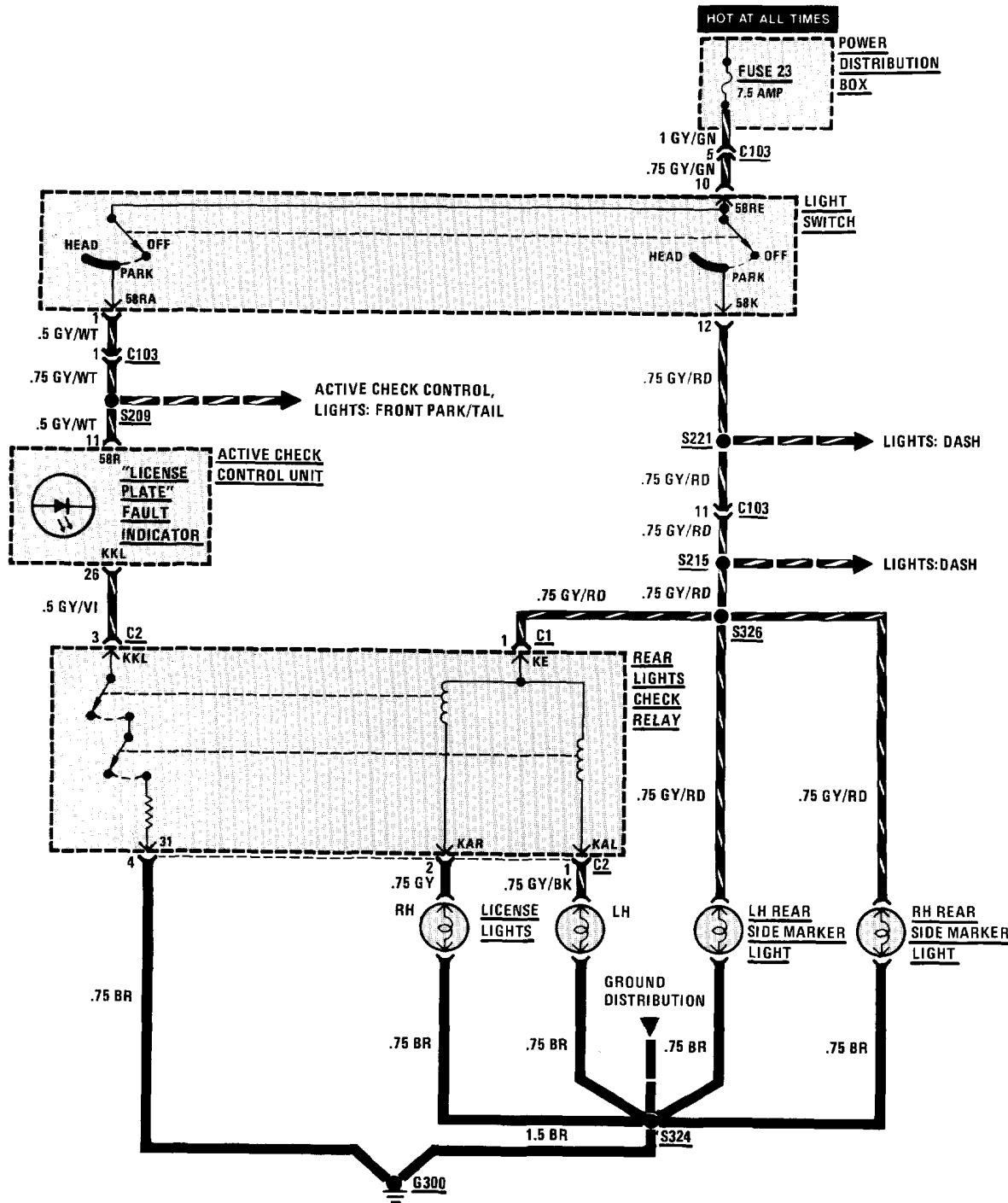
130 LIGHTS: FRONT PARK/Front SIDE MARKER/TAIL

(For Component Locations See Page 210)

HOT AT ALL TIMES

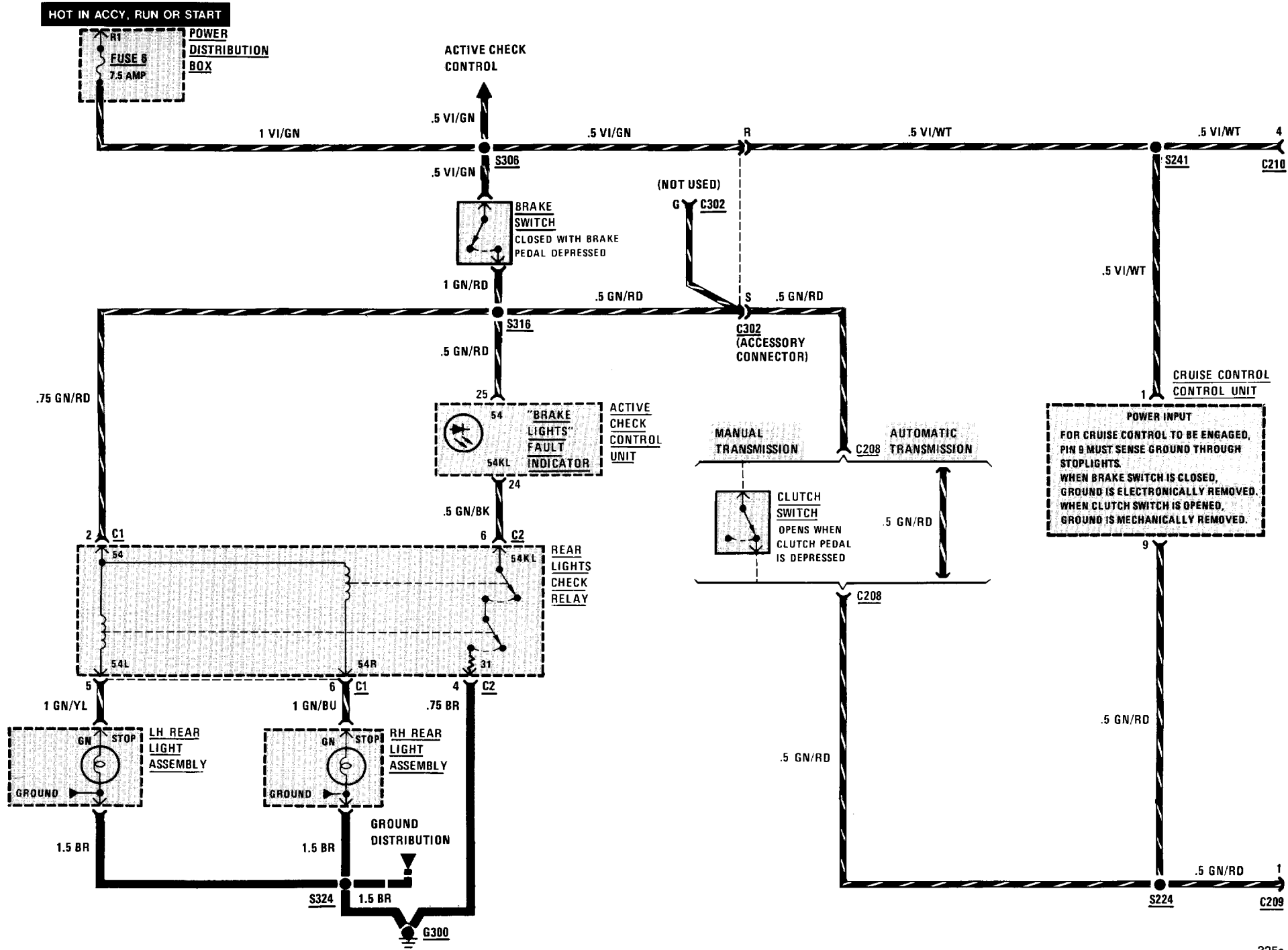


(For Component Locations See Page 210)

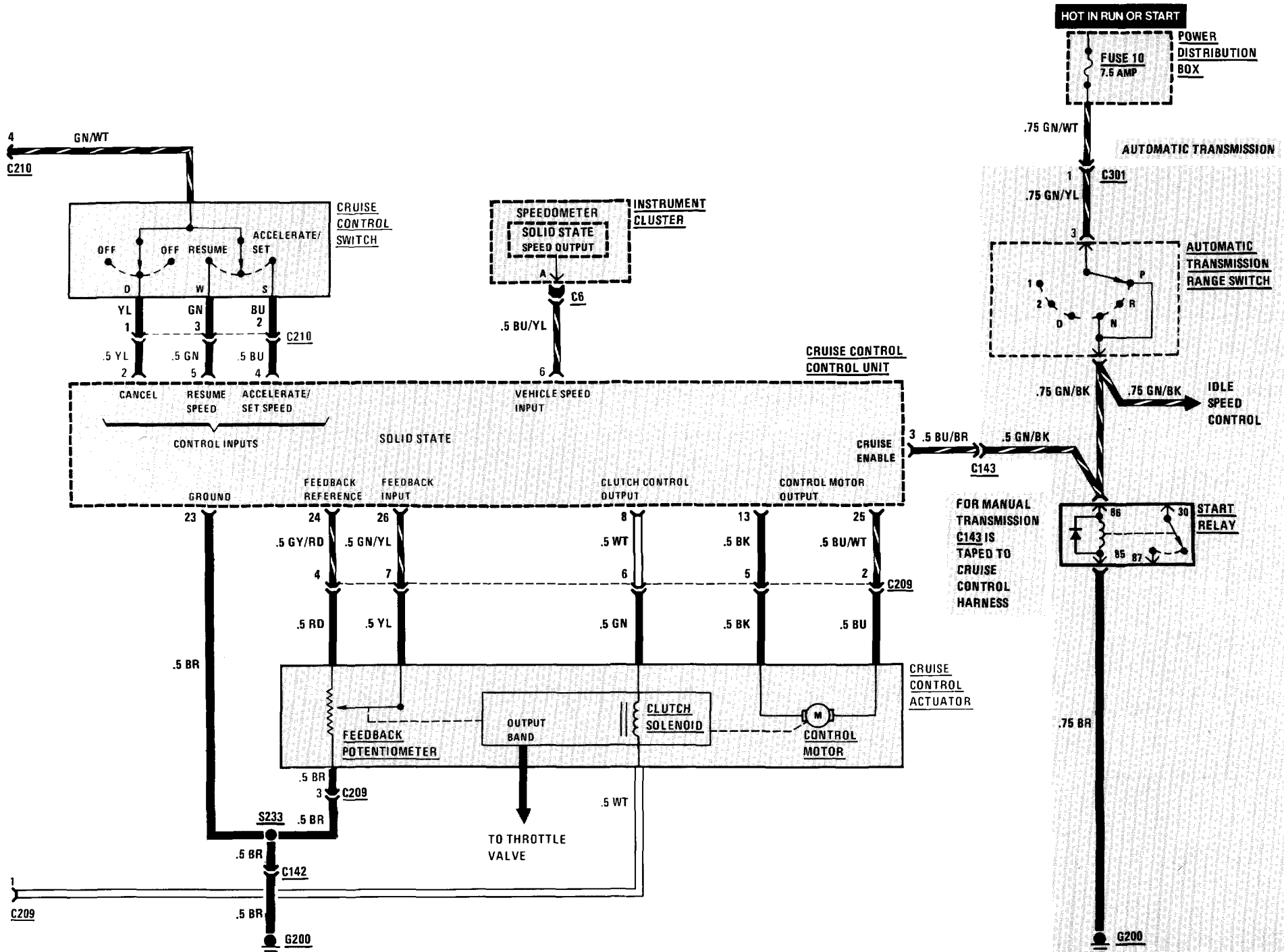


132 STOPLIGHTS/CRUISE CONTROL

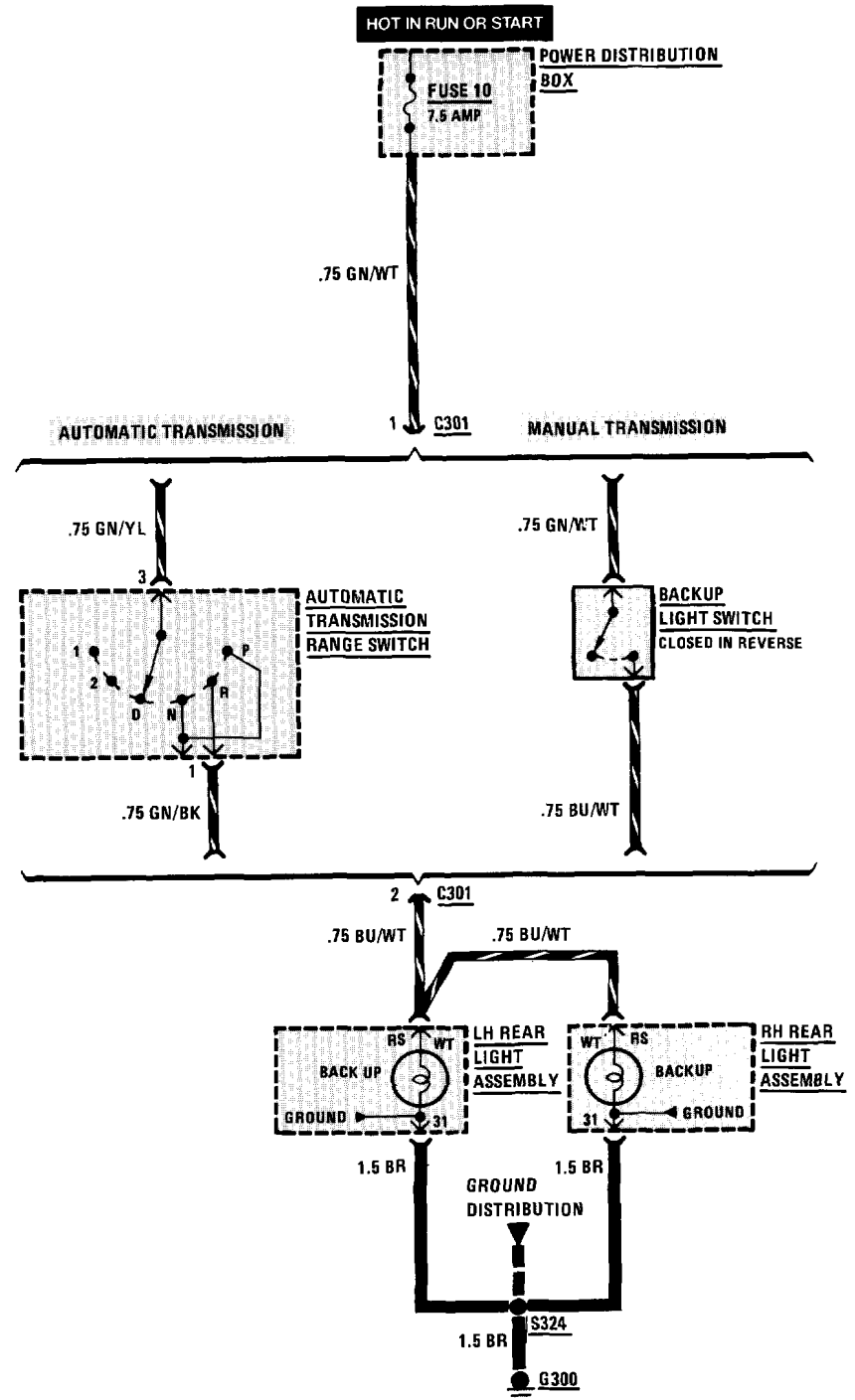
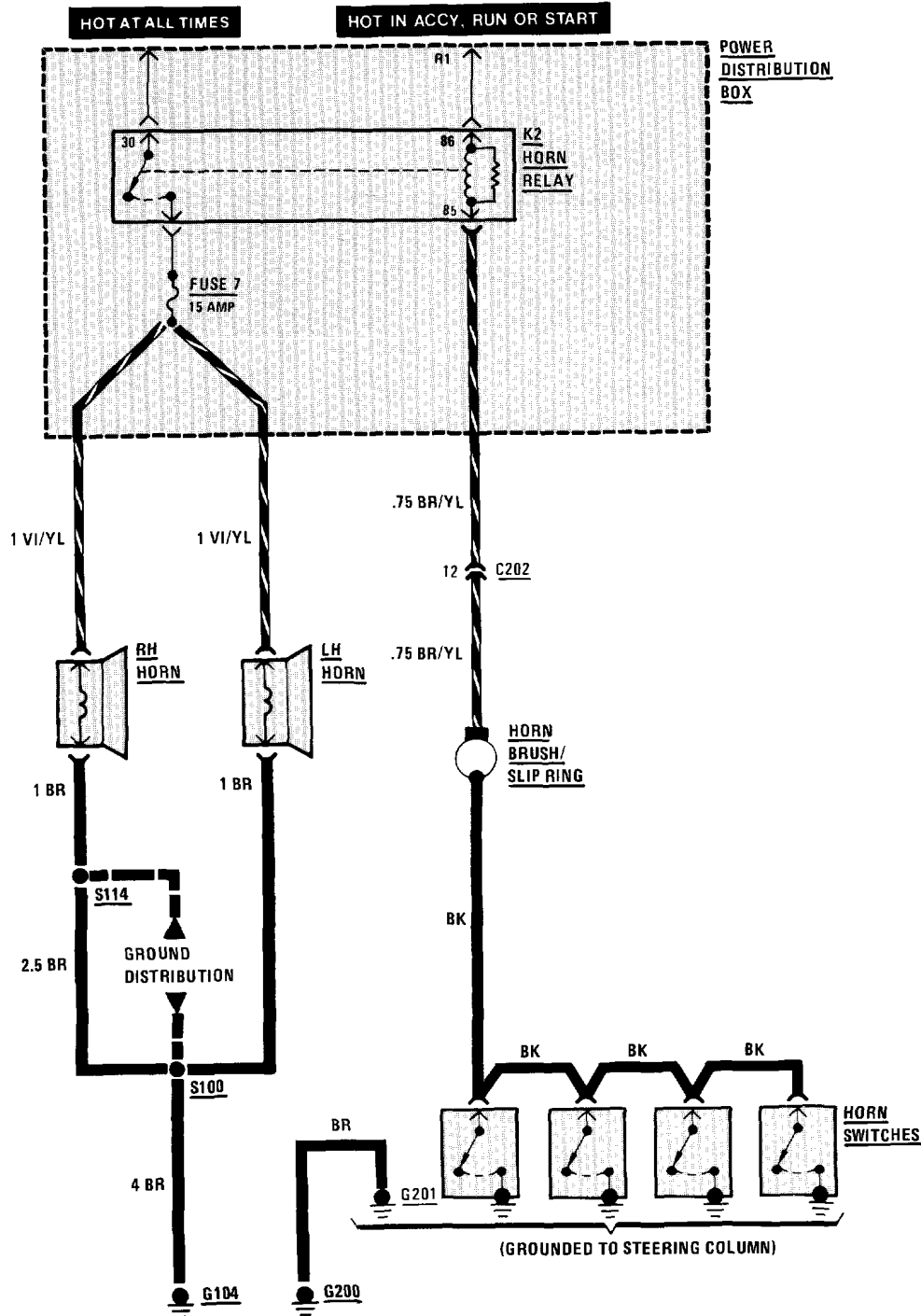
(For Component Locations See Page 203)



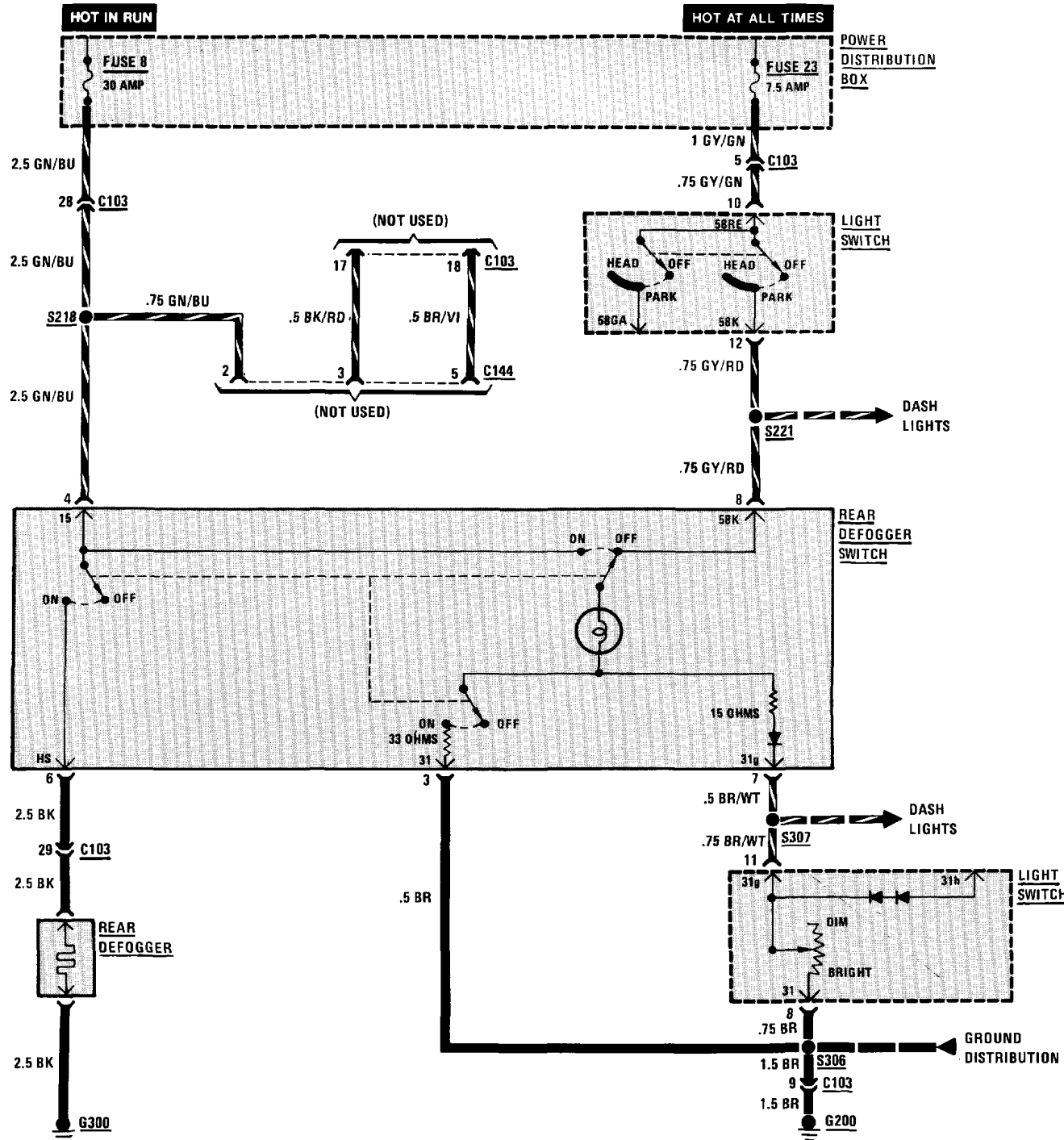
(For Component Locations See Page 203)



(For Component Locations See Page 202)

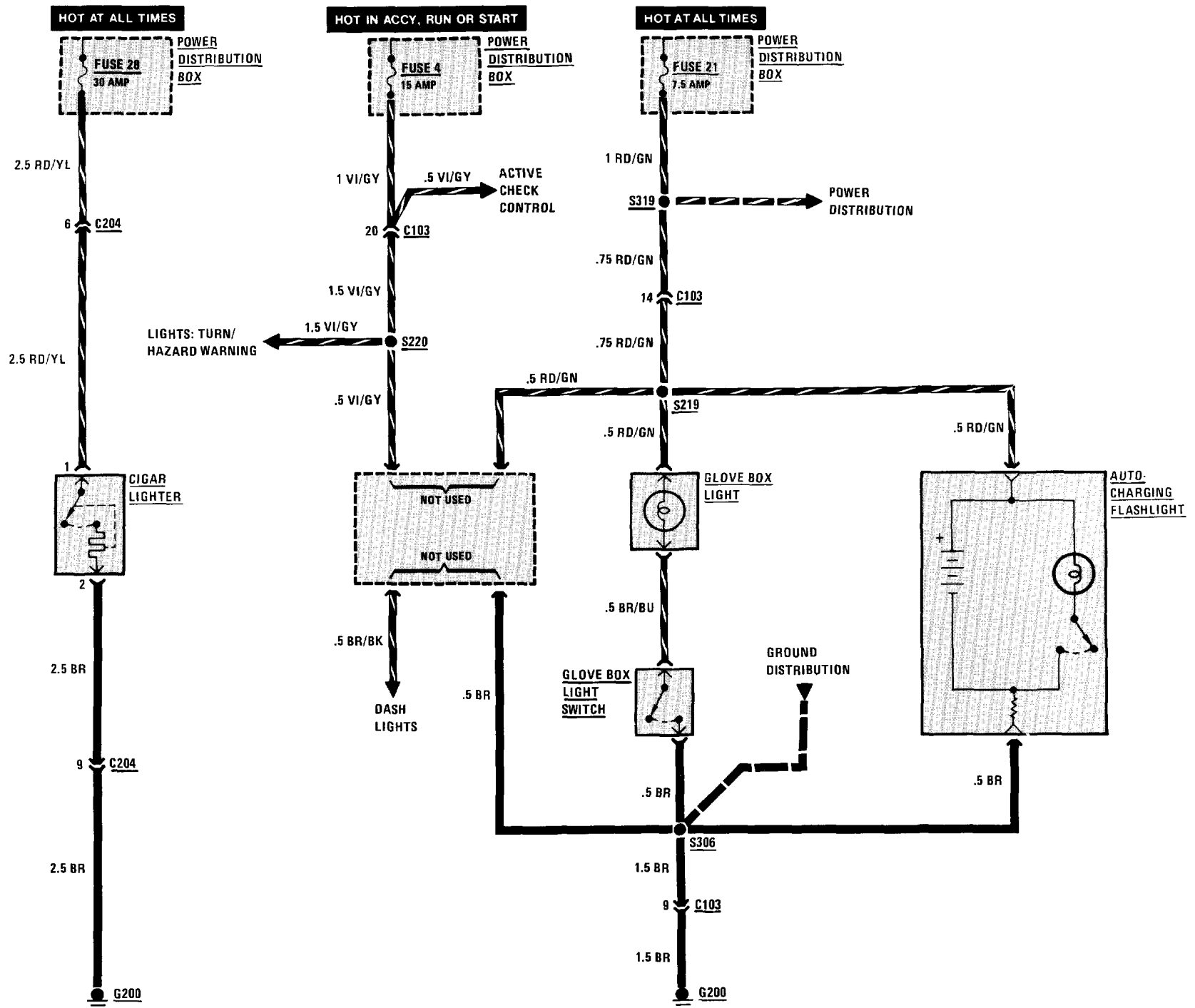


(For Component Locations See Page 213)

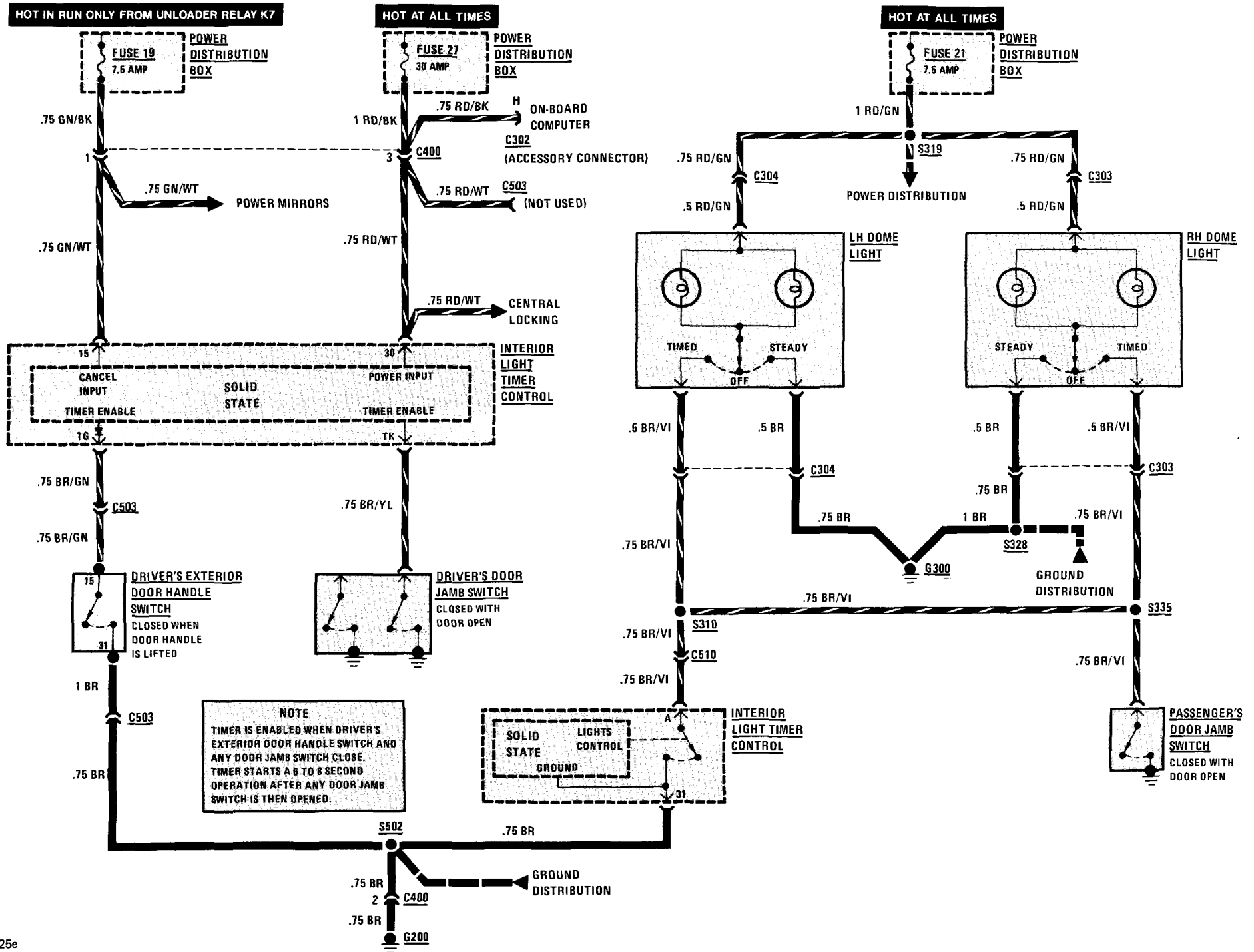


136 CIGAR LIGHTER/GLOVE BOX LIGHT/AUTO-CHARGING FLASHLIGHT

(For Component Locations See Page 203)

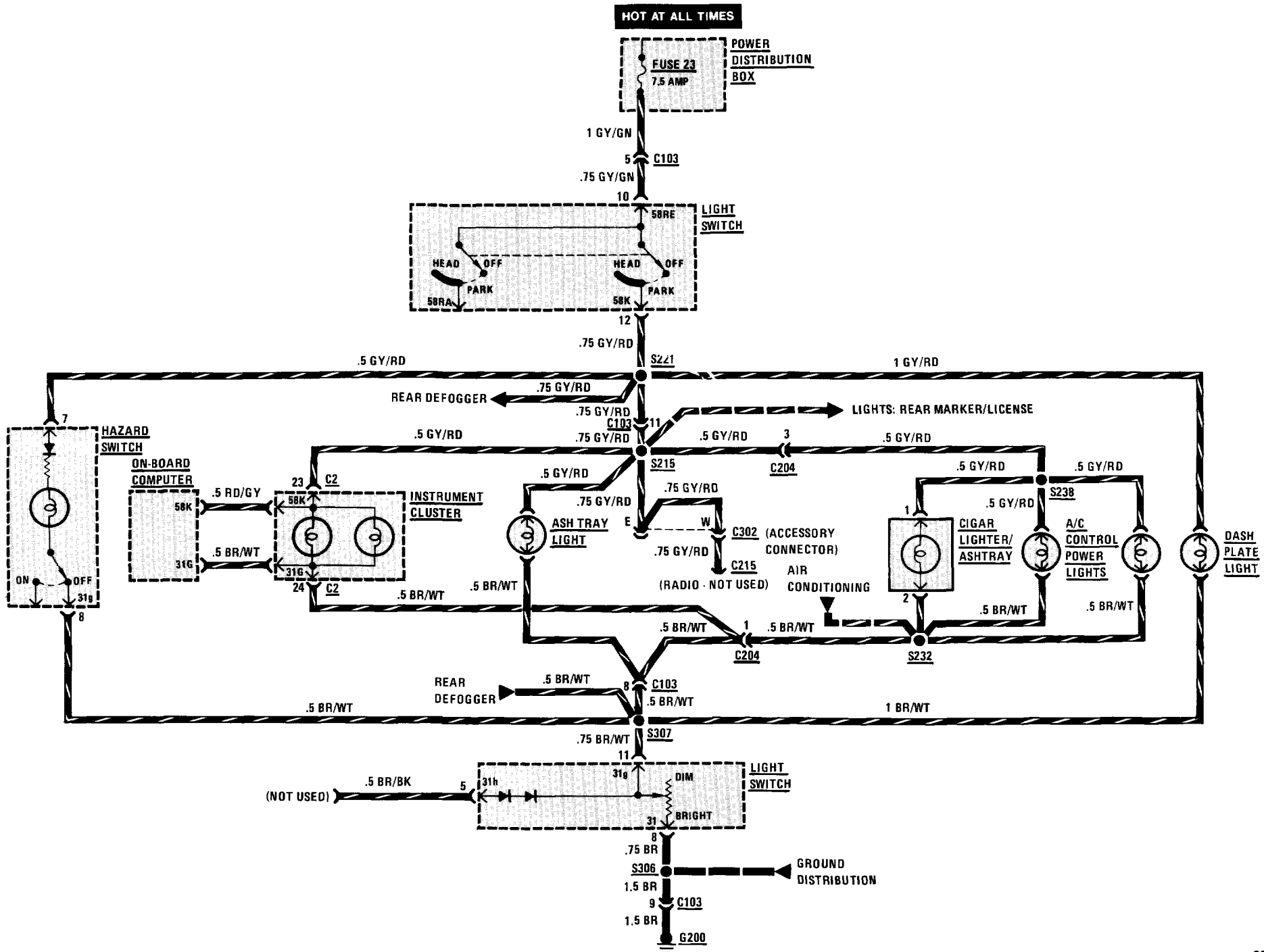


(For Component Locations See Page 210)

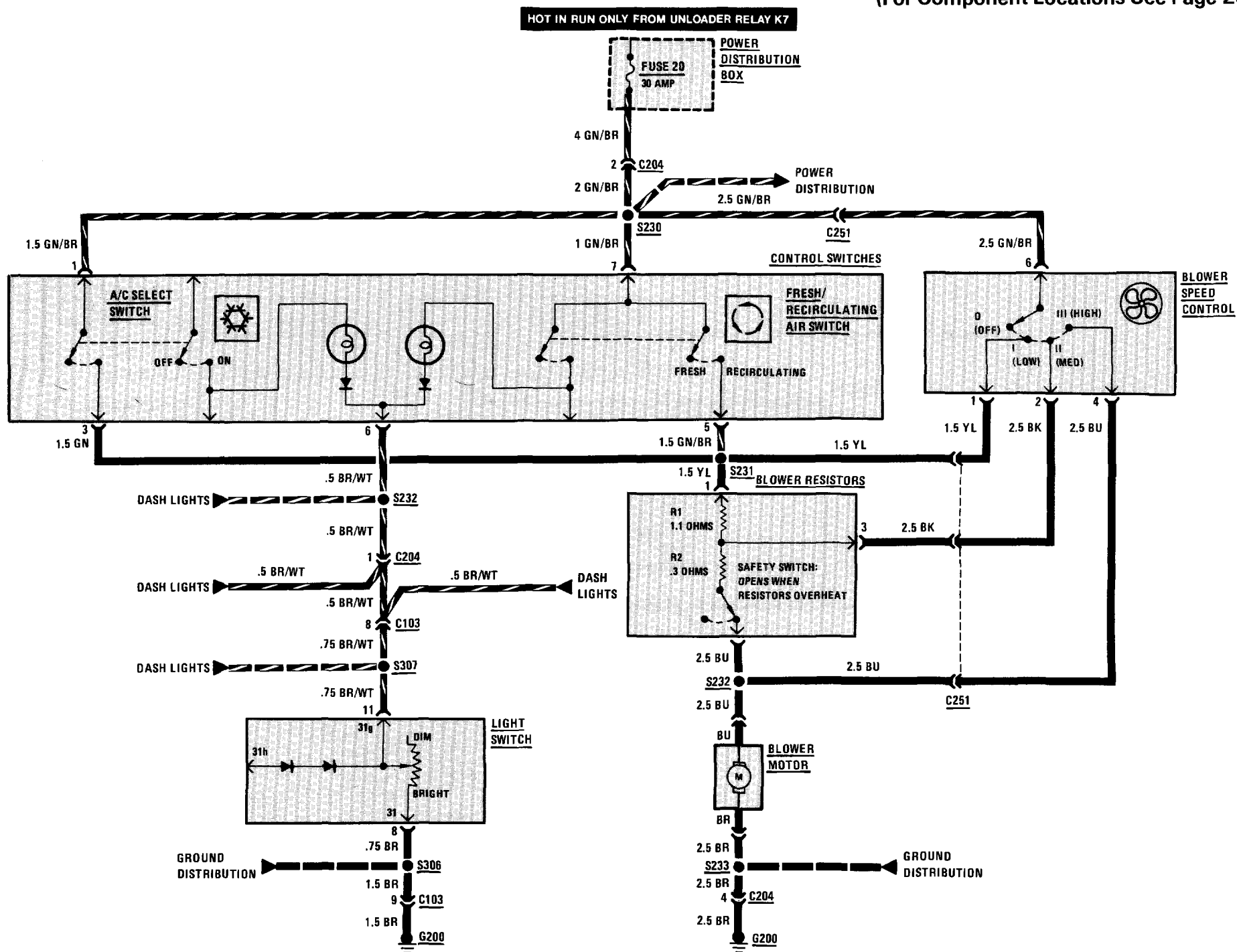


138 DASH LIGHTS

(For Component Locations See Page 203)

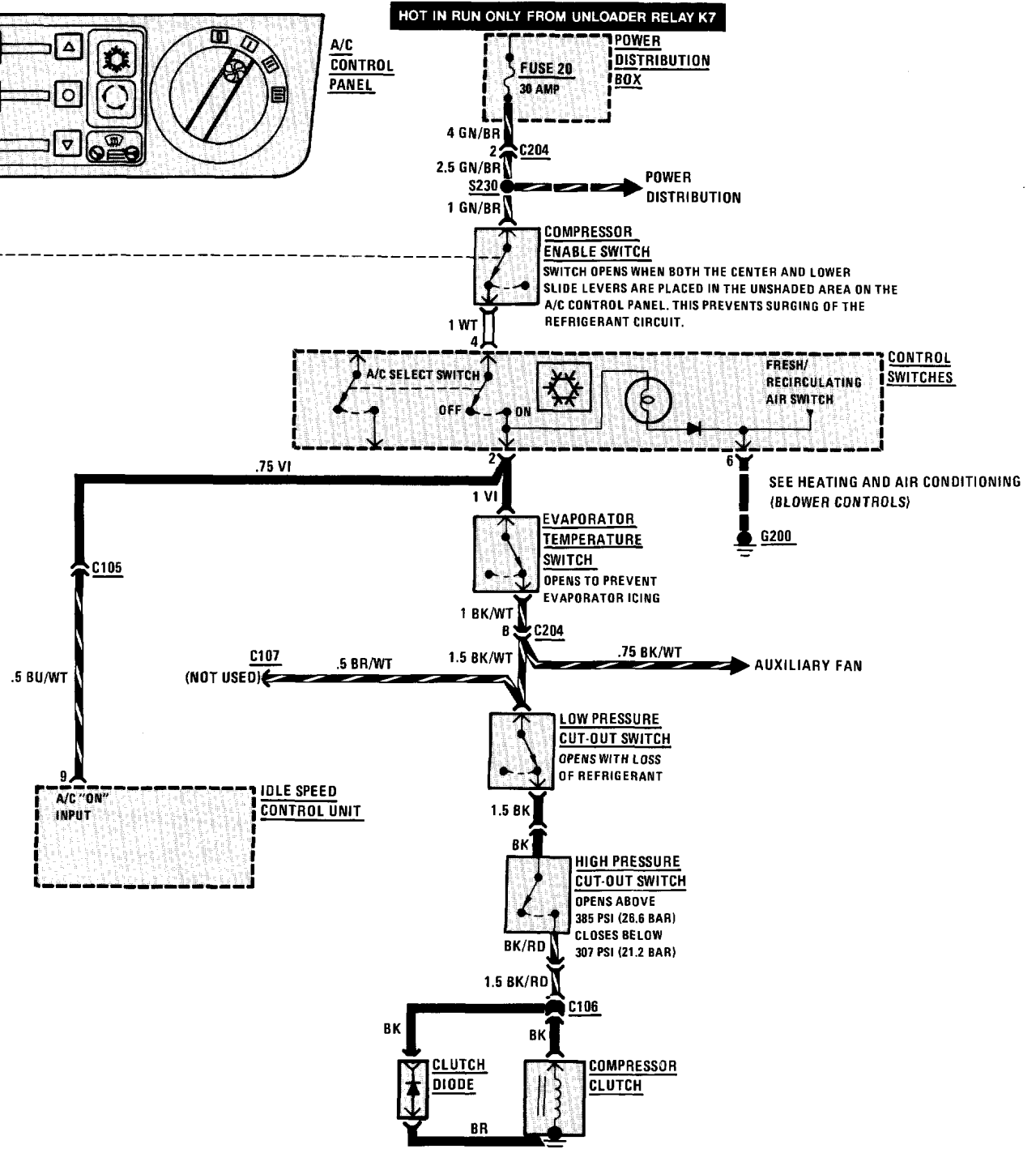
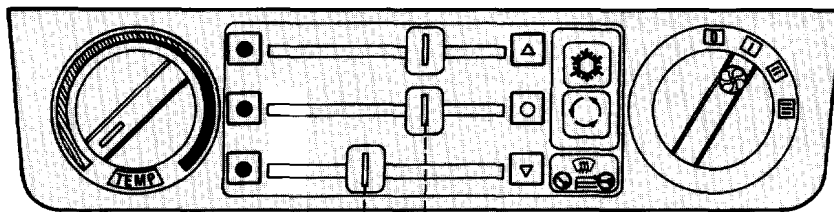


(For Component Locations See Page 209)

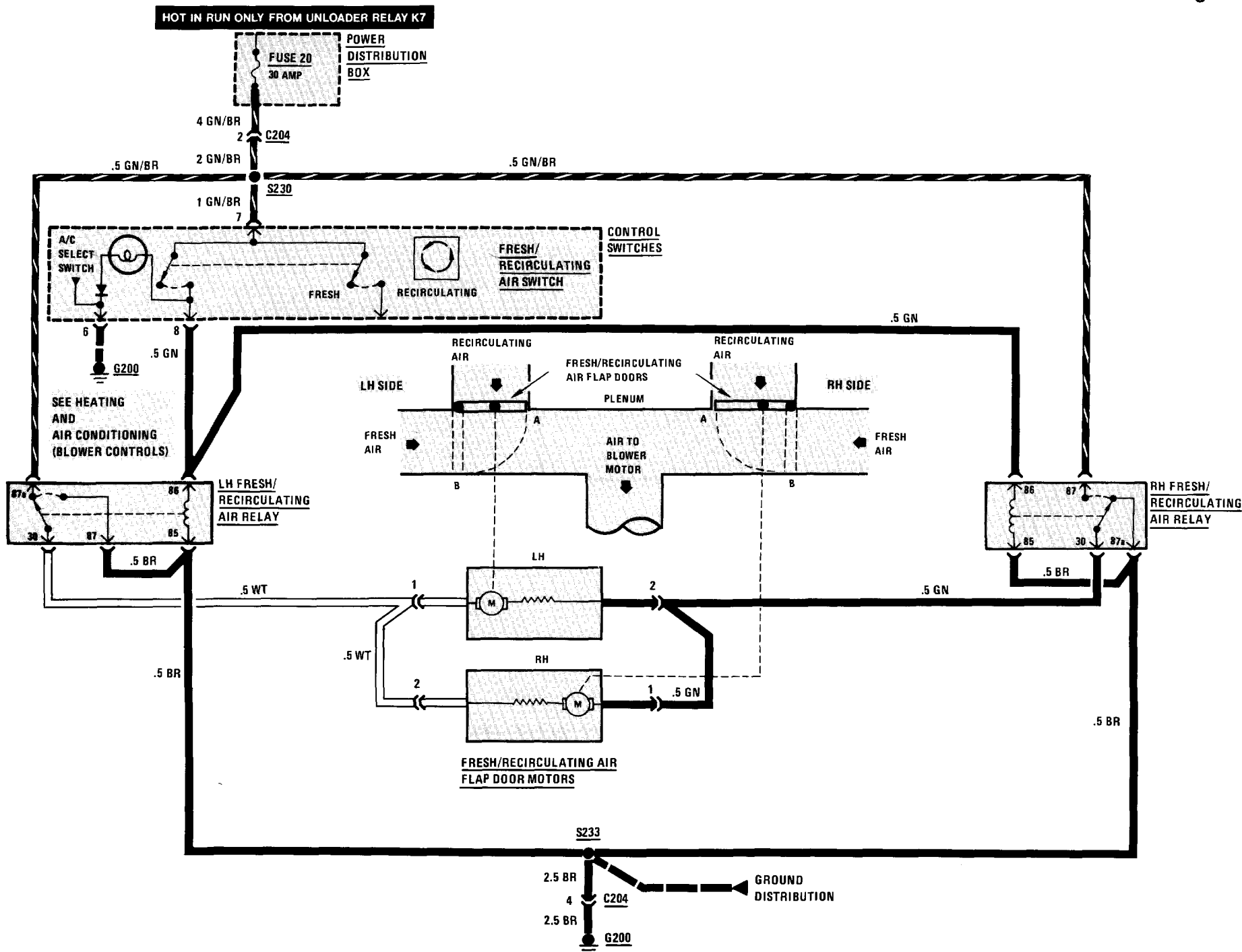


140 HEATING AND AIR CONDITIONING (COMPRESSOR CONTROLS)

(For Component Locations See Page 209)

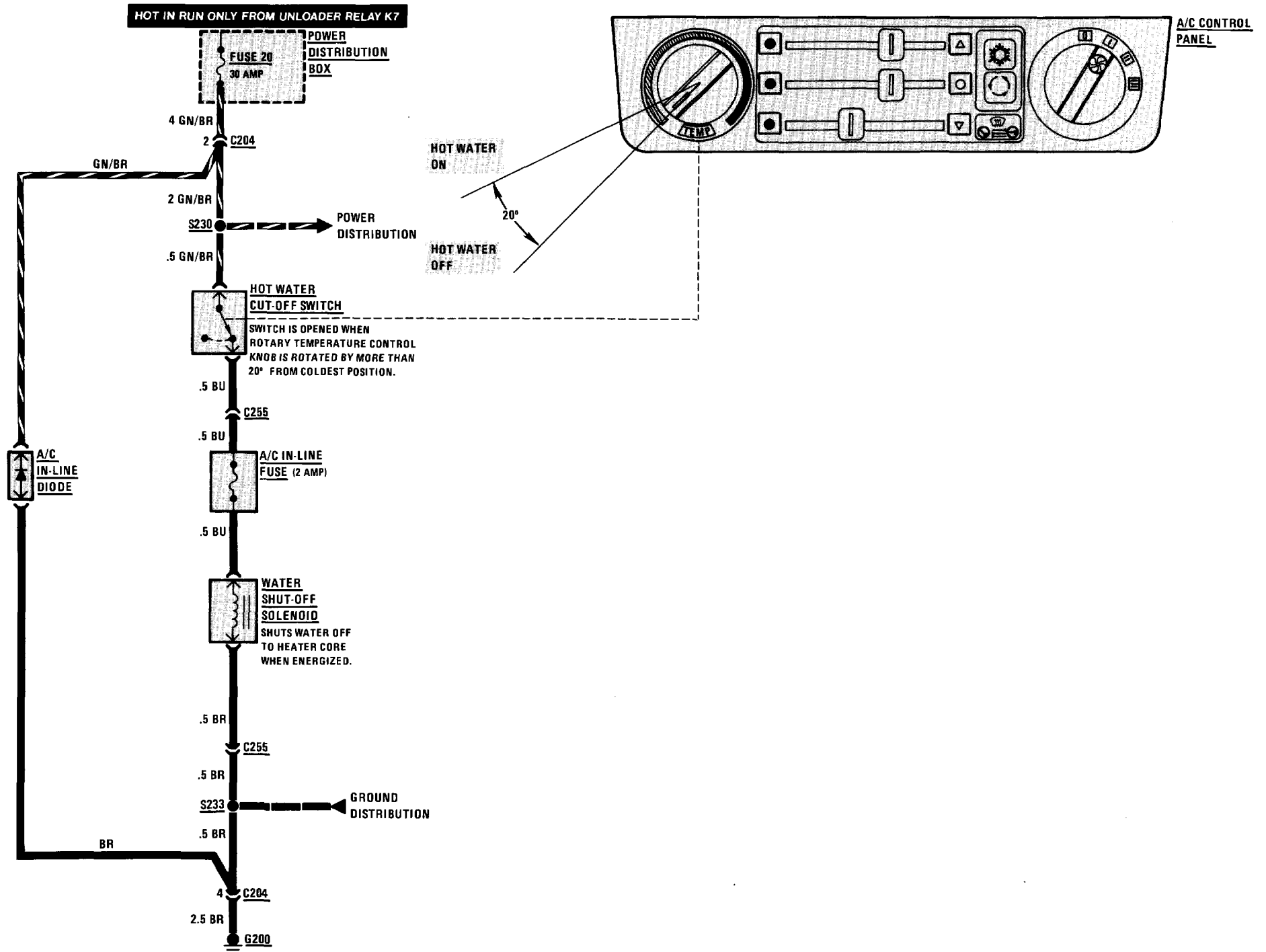


(For Component Locations See Page 209)

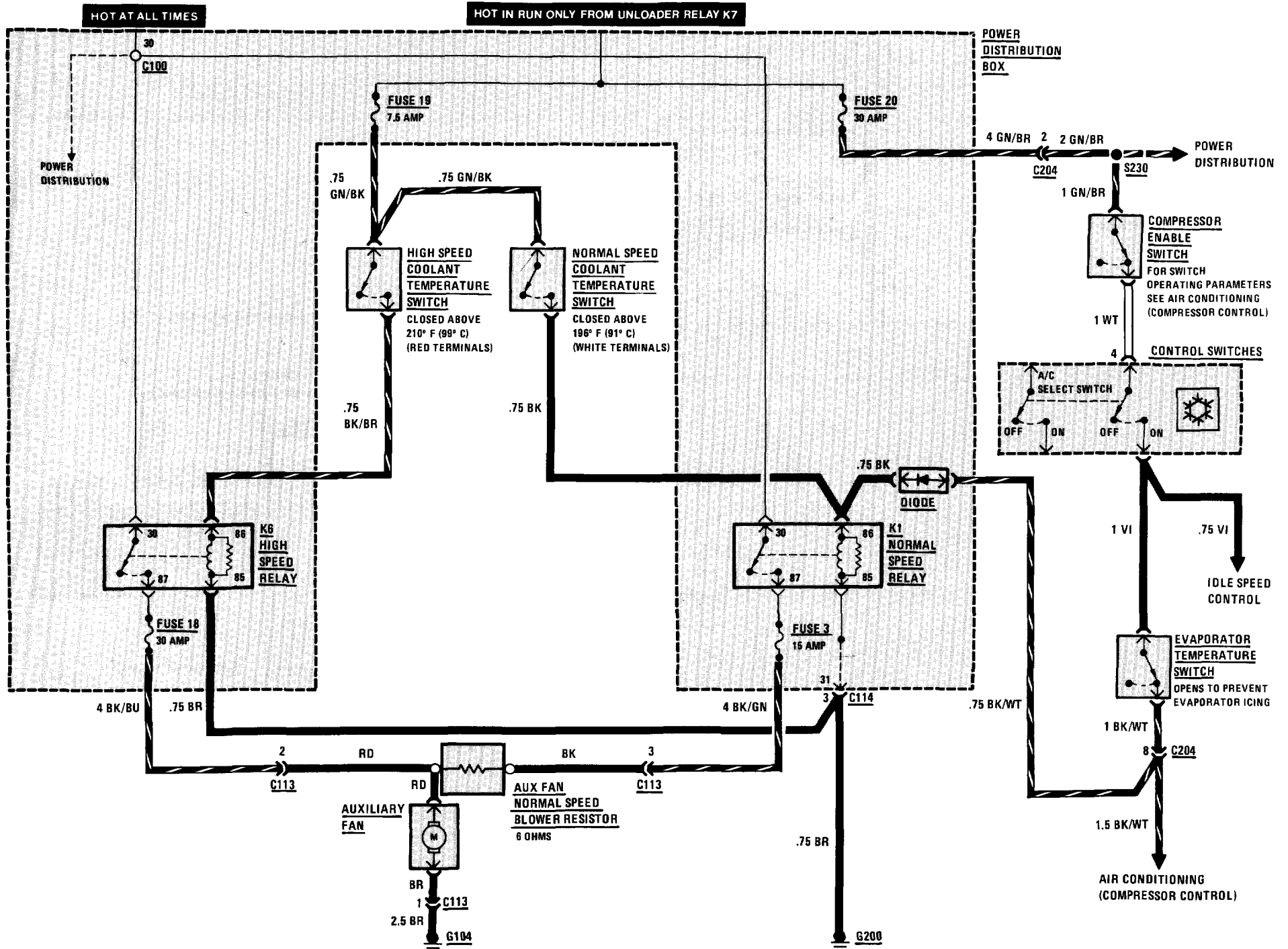


142 HEATING AND AIR CONDITIONING (HOT WATER CONTROL)

(For Component Locations See Page 209)

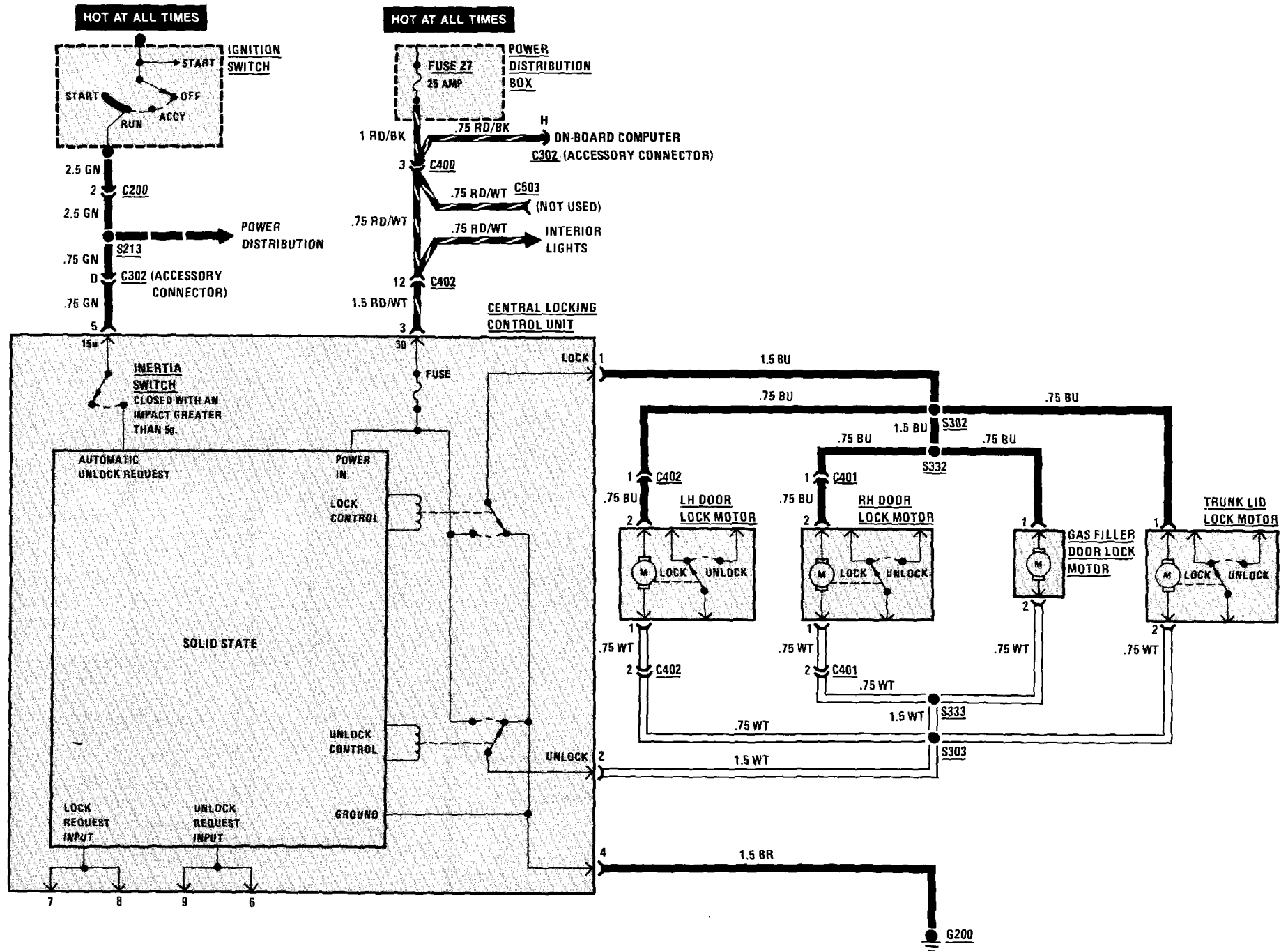


(For Component Locations See Page 201)

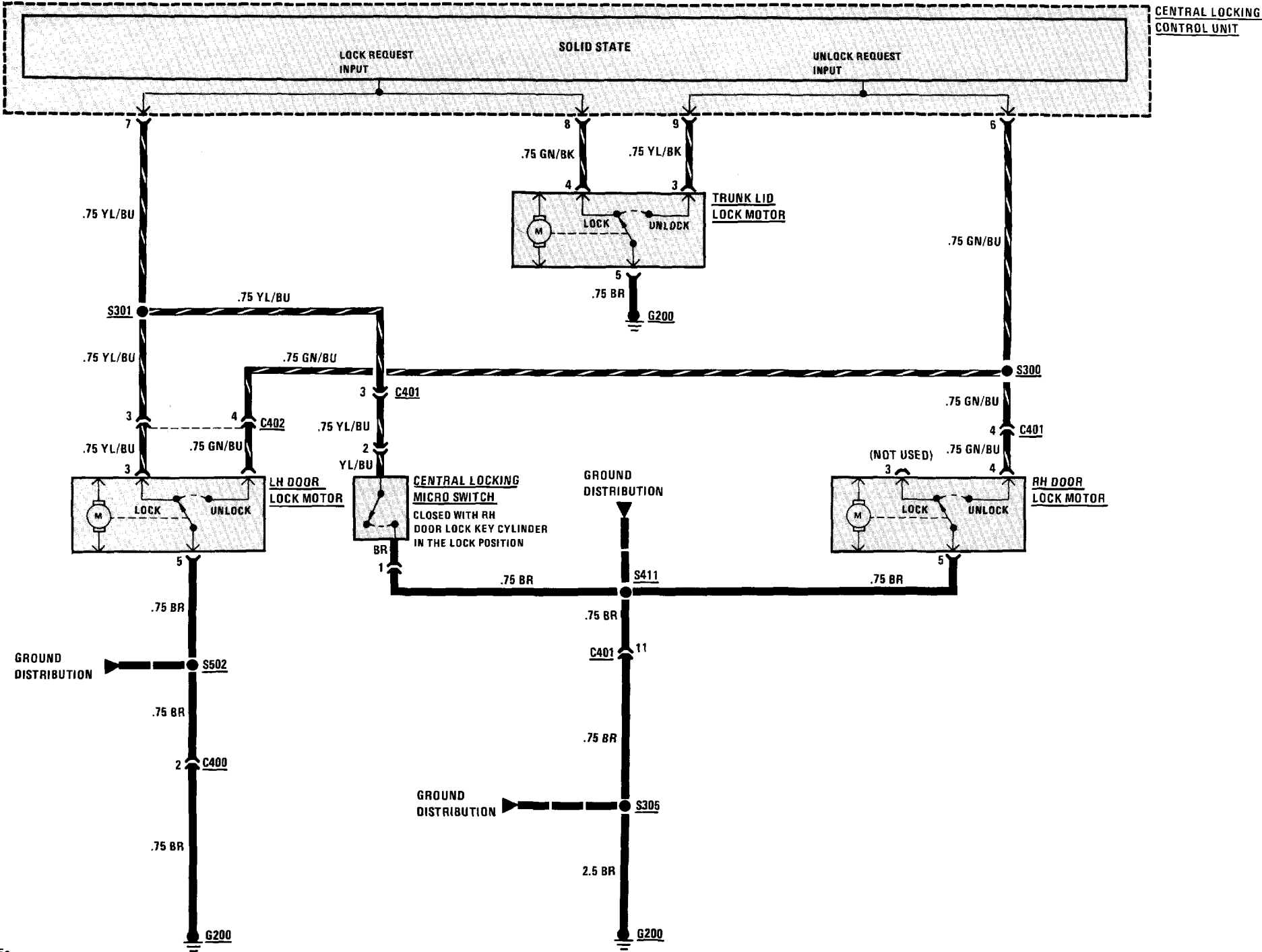


144 CENTRAL LOCKING (CONTROL)

(For Component Locations See Page 202)

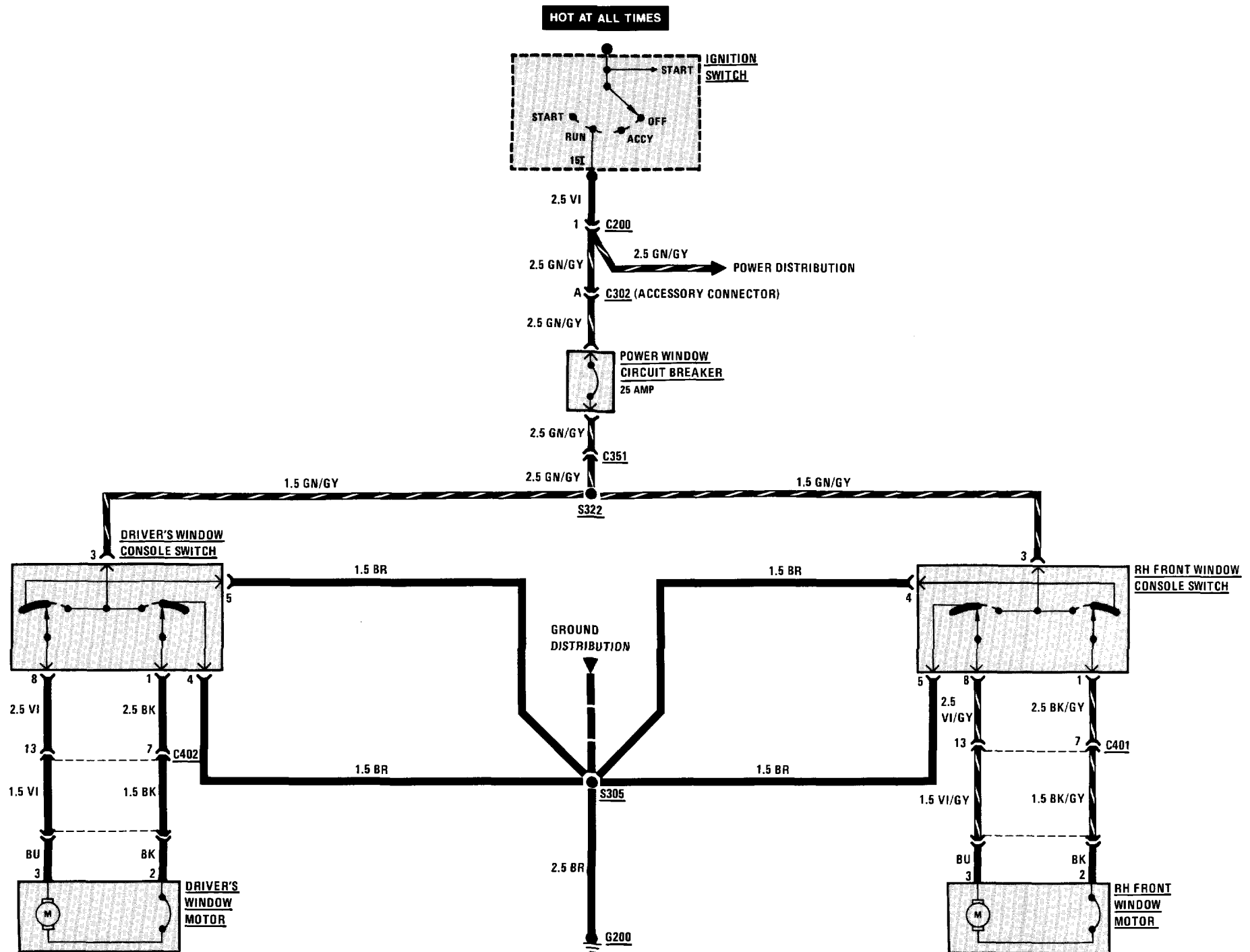


(For Component Locations See Page 202)

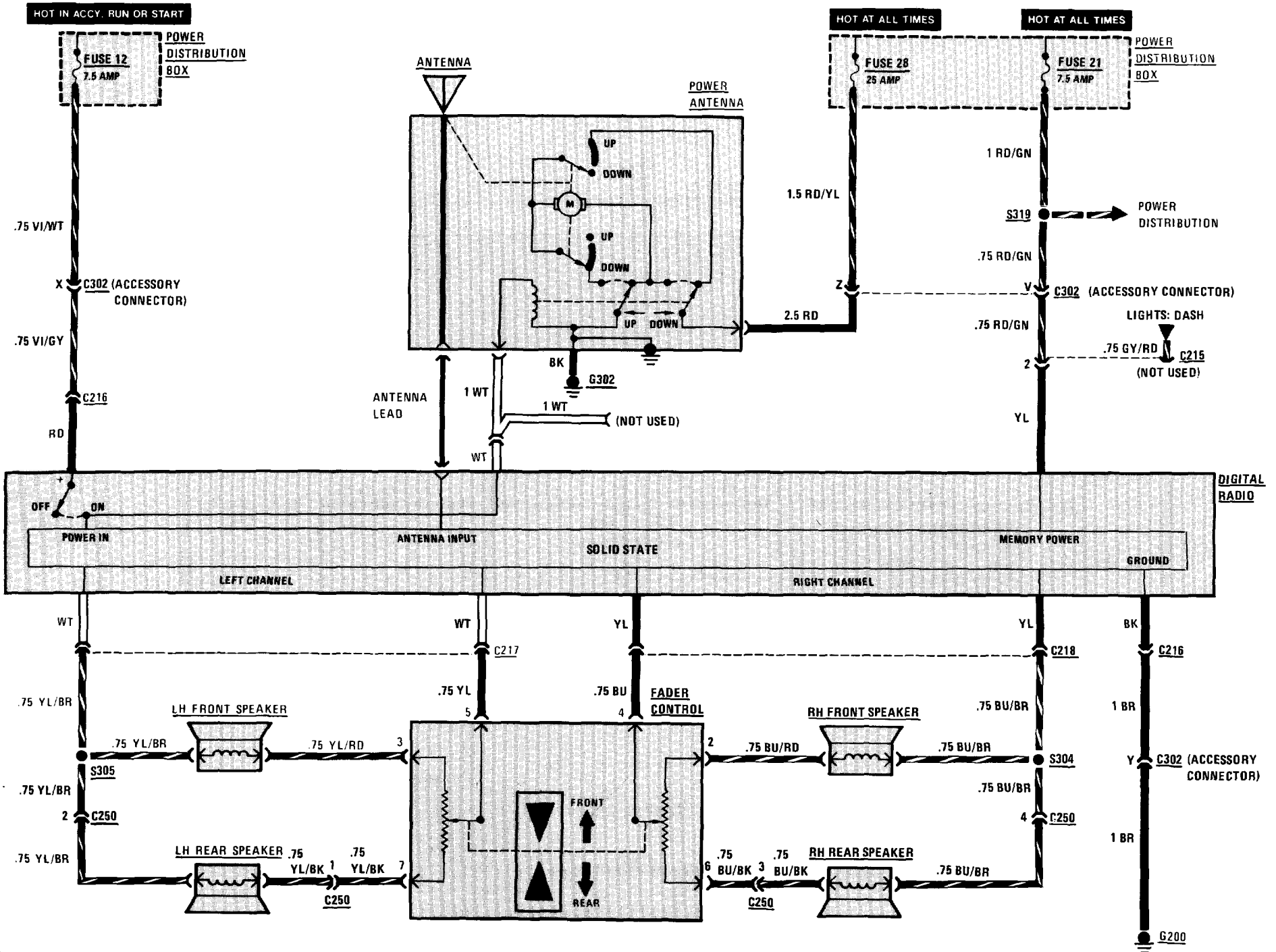


146 POWER WINDOWS

(For Component Locations See Page 212)

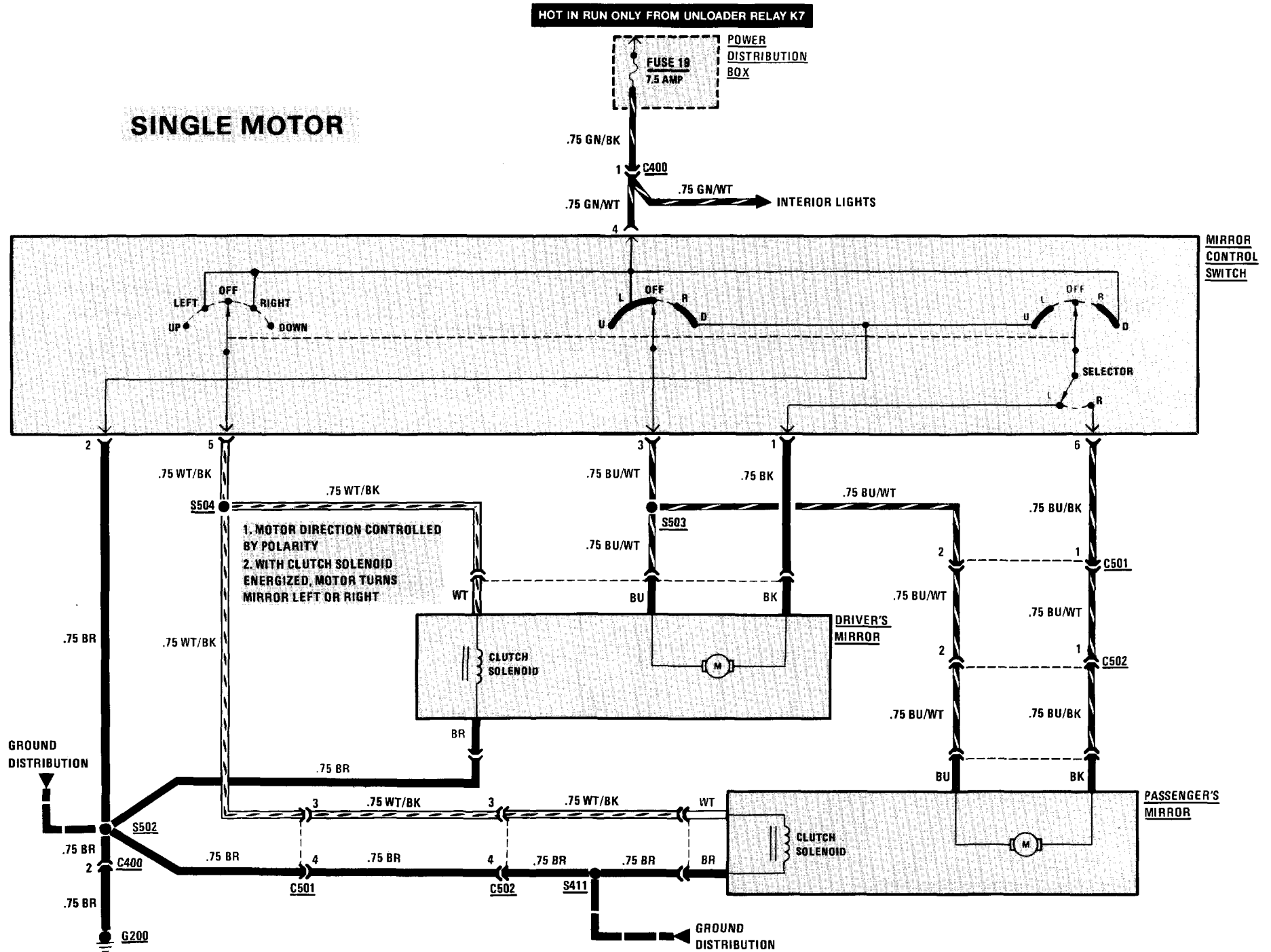


(For Component Locations See Page 213)



148 POWER MIRRORS

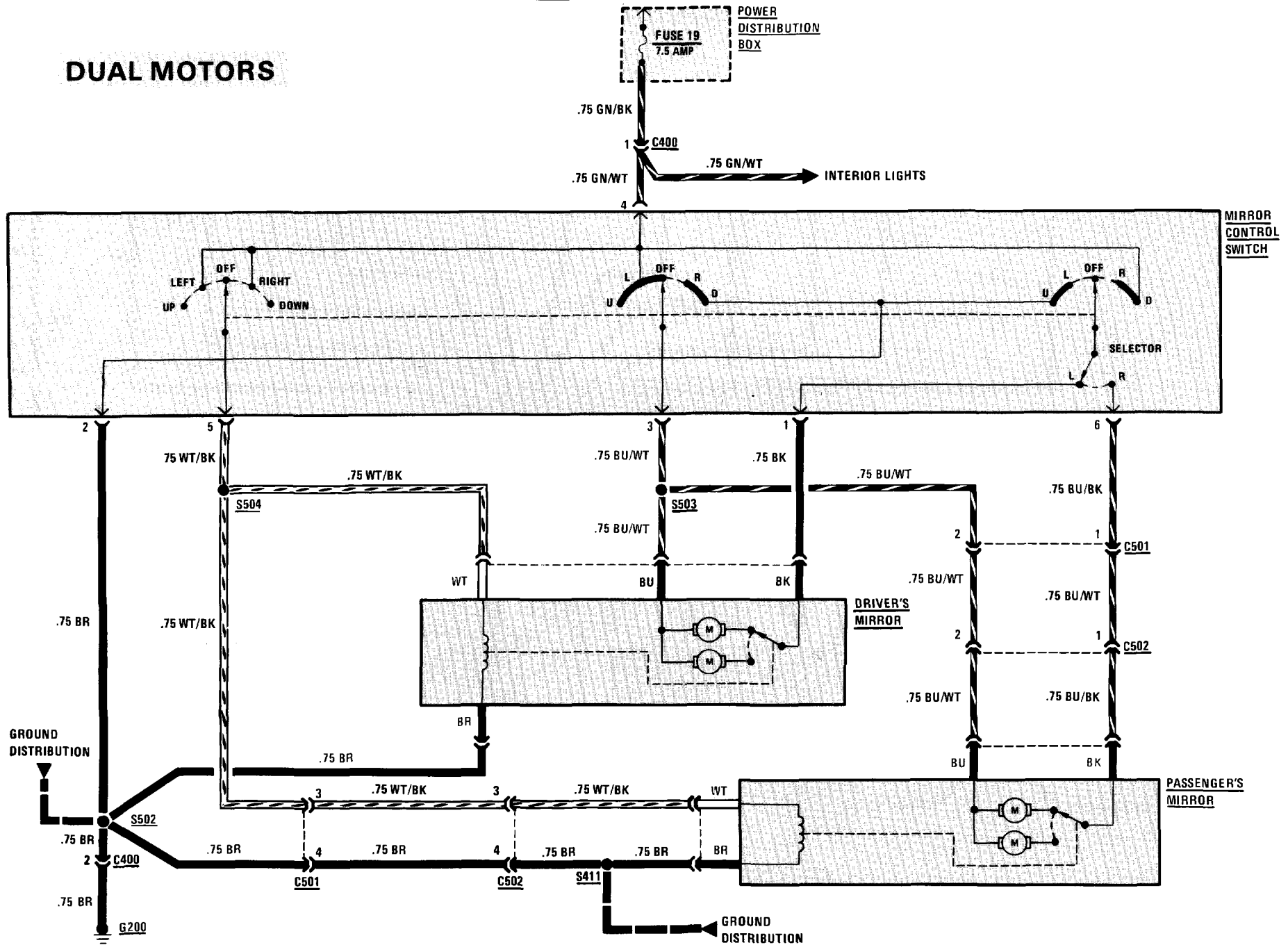
(For Component Locations See Page 212)



(For Component Locations See Page 212)

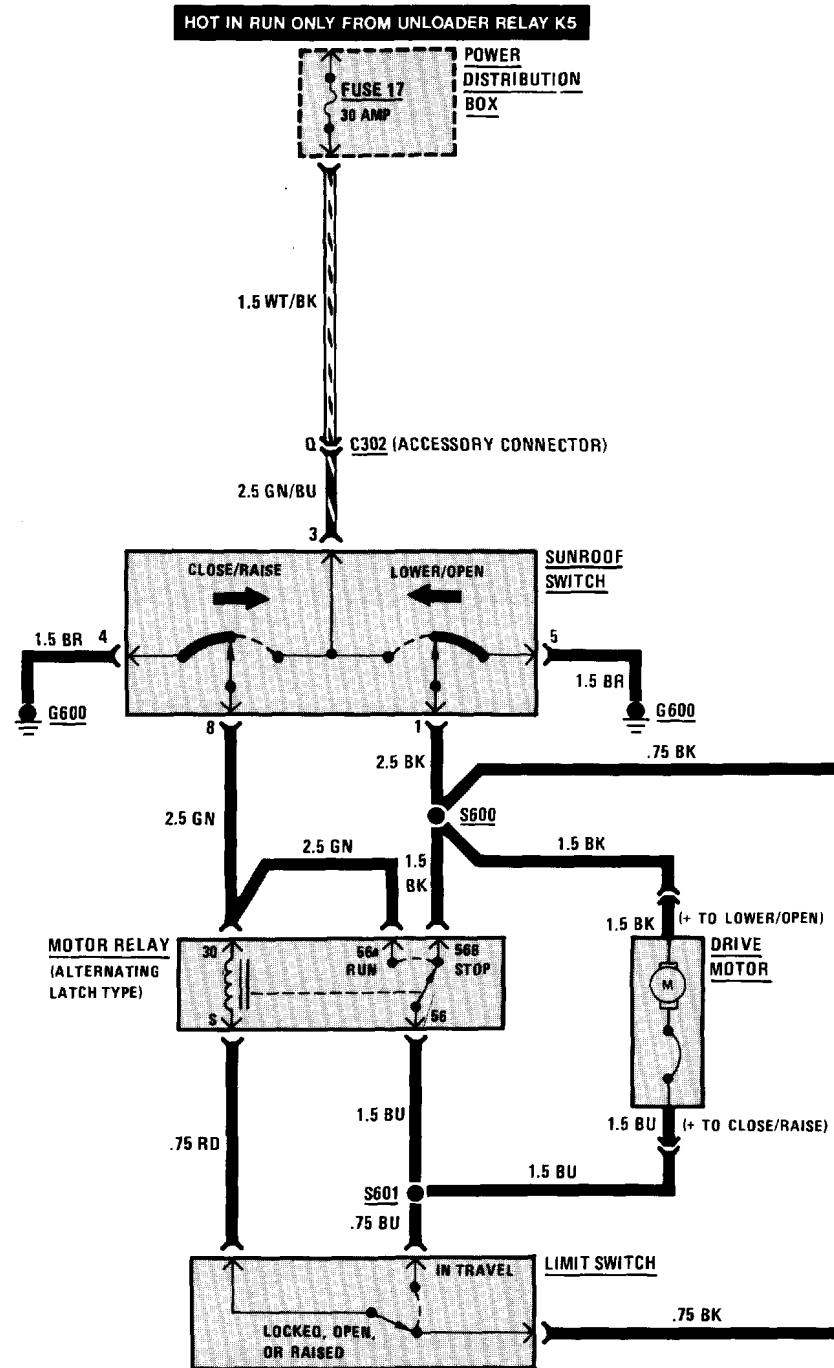
DUAL MOTORS

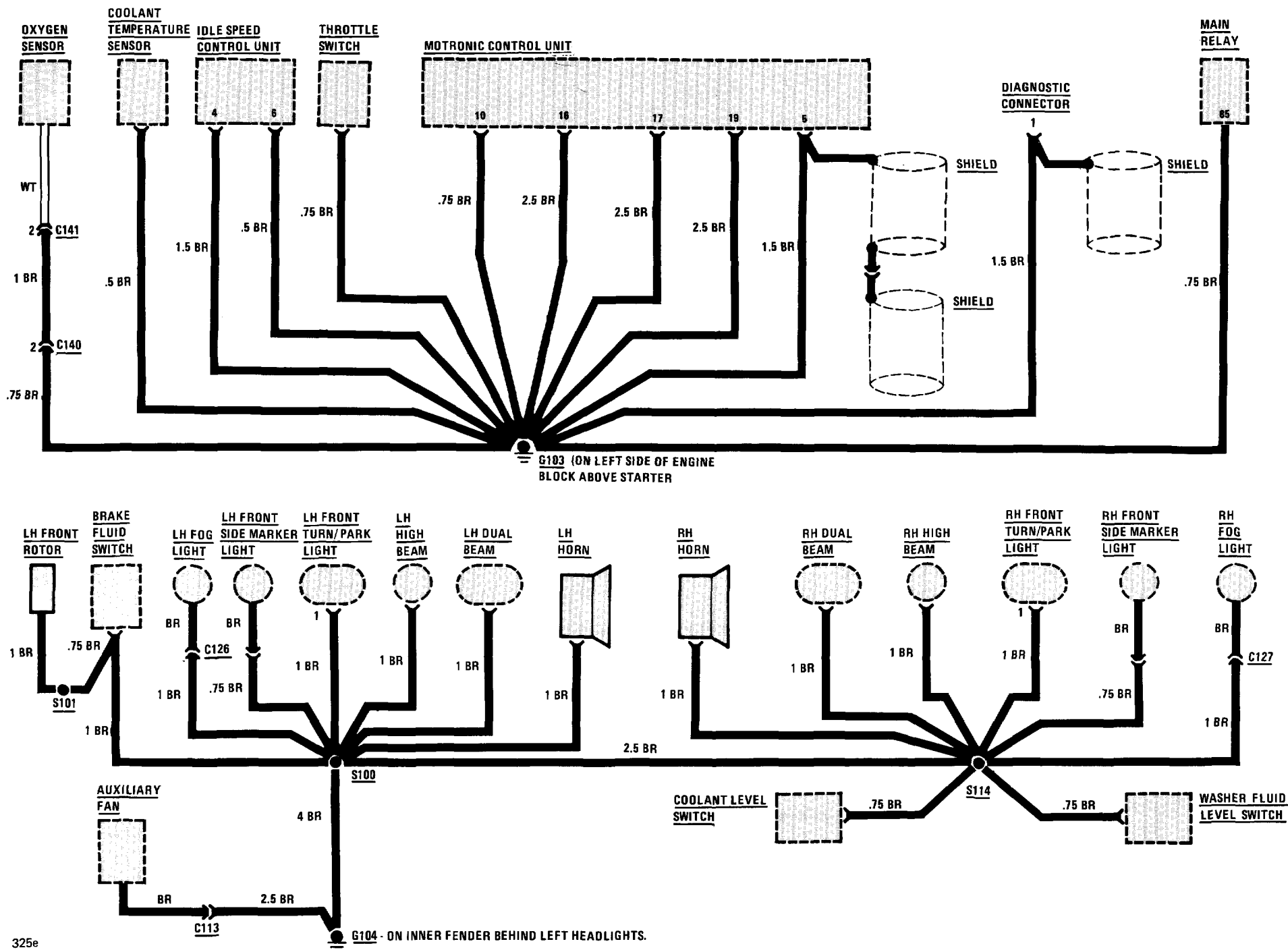
HOT IN RUN ONLY FROM UNLOADER RELAY K7



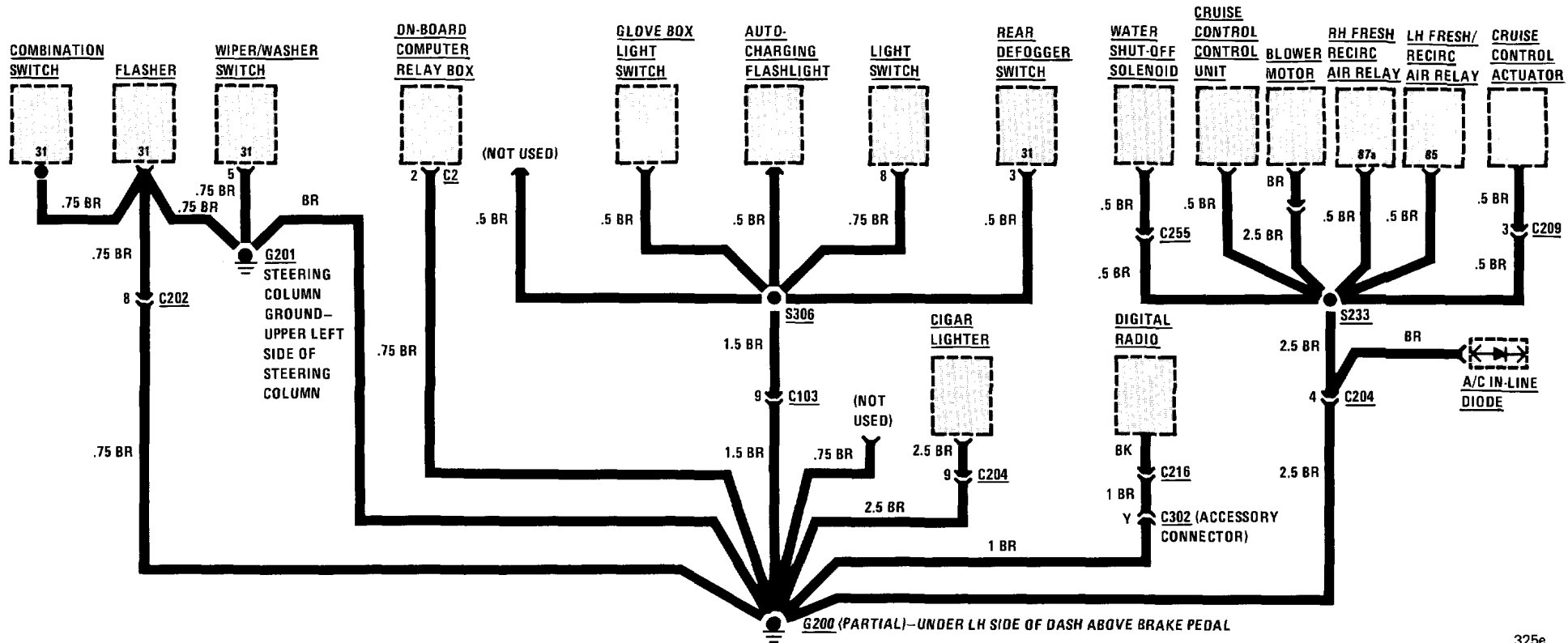
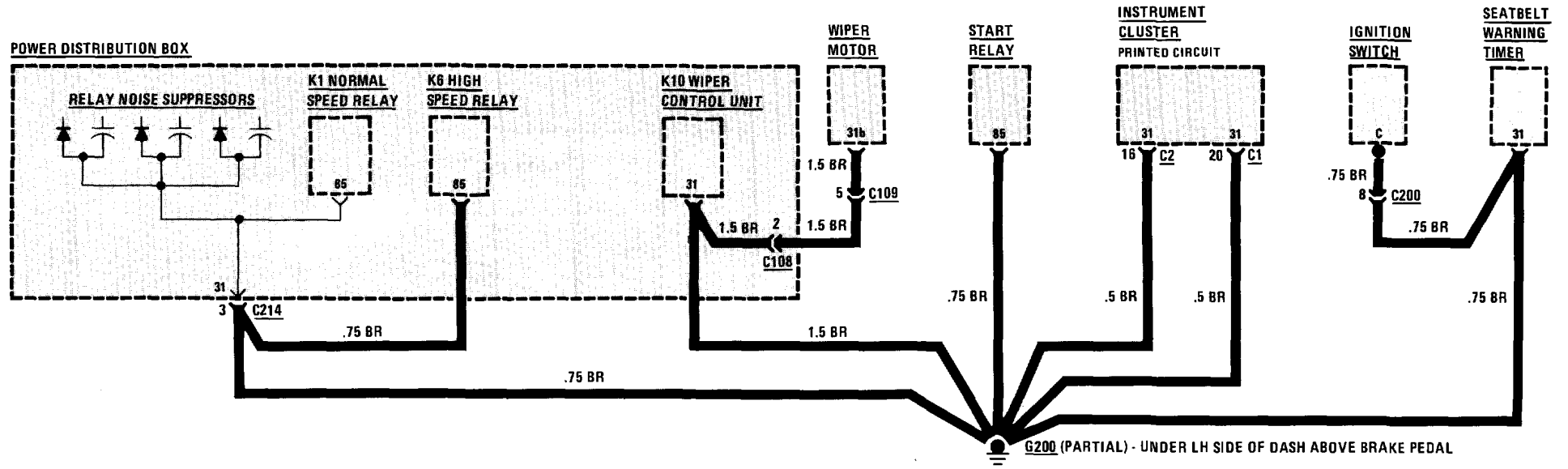
150 SUNROOF

(For Component Locations See Page 214)

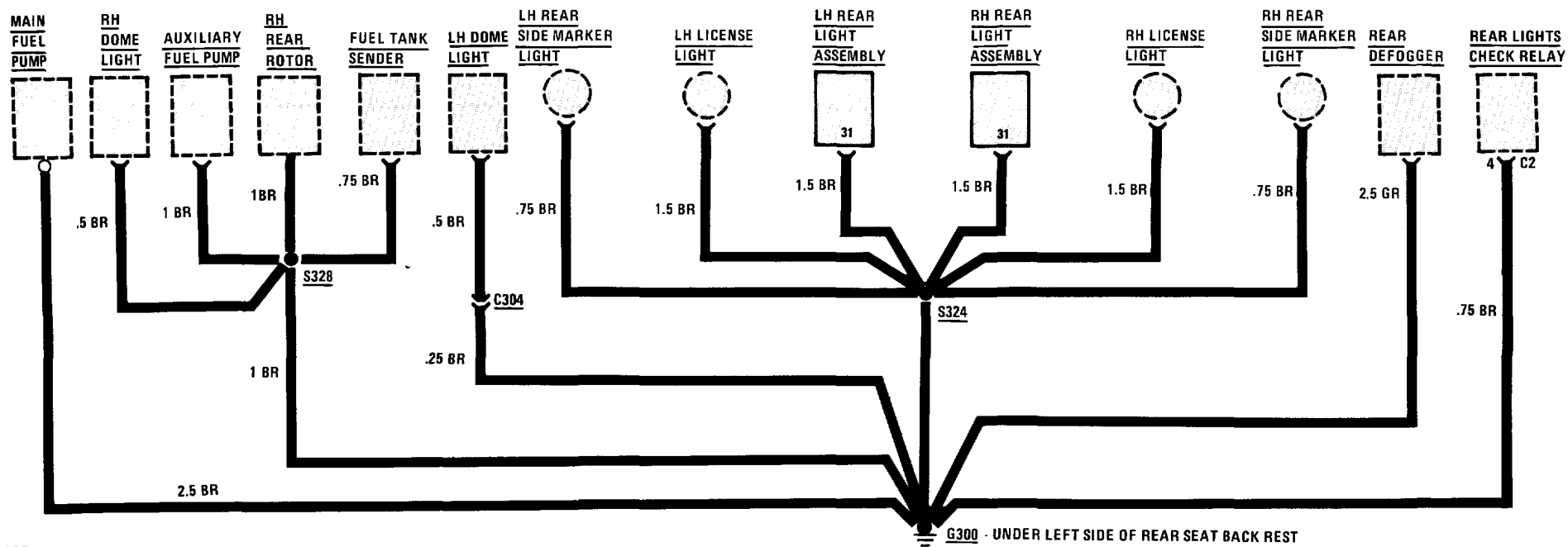
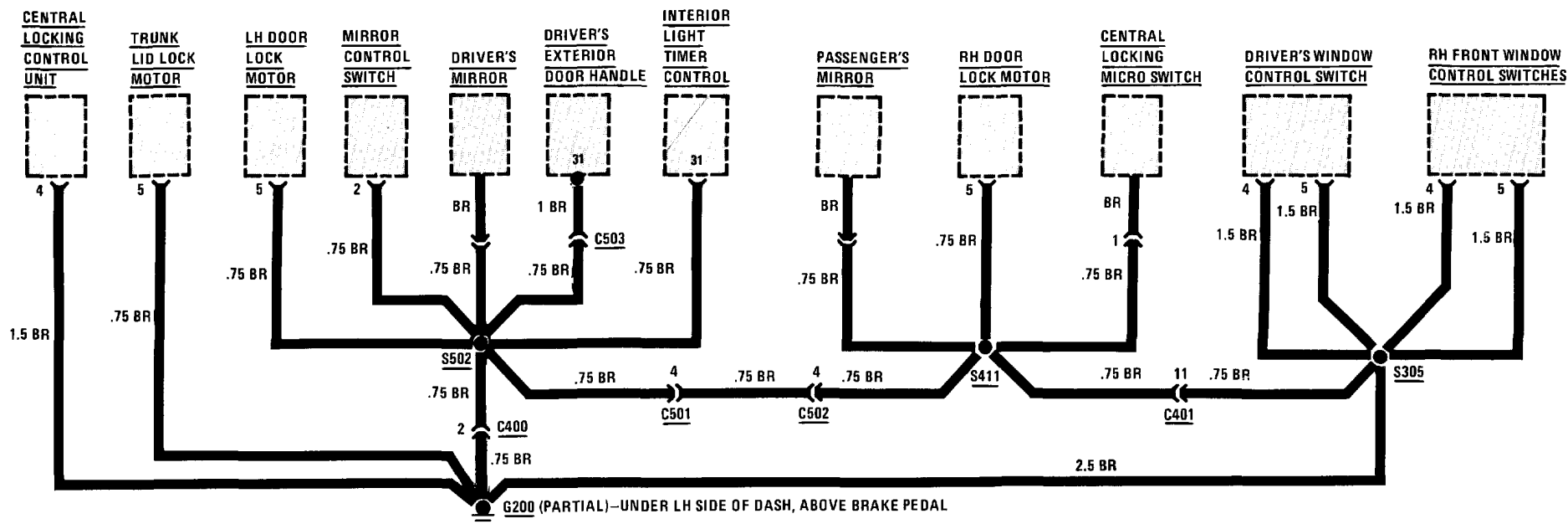




152 GROUND DISTRIBUTION (G200 PARTIAL AND G201)



WITH CENTRAL LOCKING AND POWER WINDOWS



CIRCUITS USING C302 (ACCESSORY CONNECTOR)

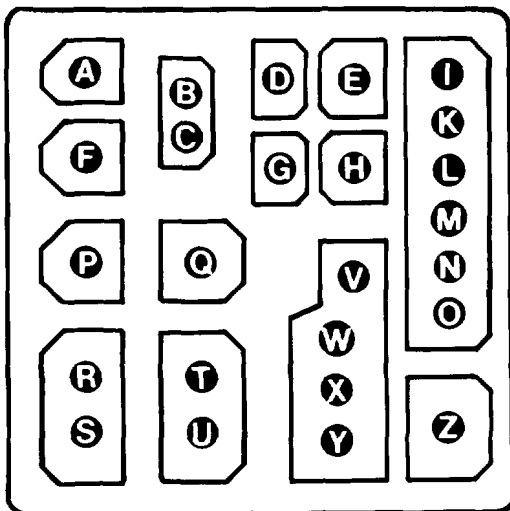


Figure 1-C302 (Accessory Connector)
 Front View—Under LH Side
 of Dash Ahead of Pedal Assembly

TERMINAL	CIRCUIT	TERMINAL	CIRCUIT
A	Power Windows	N	Not Used
B	Not Used	O	Not Used
C	Not Used	P	Not Used
D	Central Locking	Q	Sun Roof
E	Not Used	R	Cruise Control
F	Not Used	S	Cruise Control
G	Not Used	T	Not Used
H	On-Board Computer	U	Not Used
I	Not Used	V	Radio
J	Not Used	W	Not Used
K	Not Used	X	Radio
L	Not Used	Y	Radio
M	Not Used	Z	Power Antenna

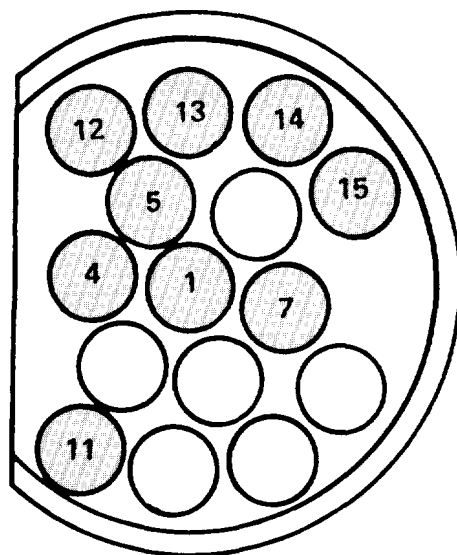
Section B

318i

Schematic Diagrams

Index – Alphabetical Listing of Electrical Circuits (318i)

	PAGE		PAGE
Accessory Connector	153	Lights (continued)	
Air Conditioning	139	– Front Side Marker	126
Auto-Charging Flashlight	131	– Glove Box	131
Auxiliary Fan	143	– Hazard Warning	124
Brake Warning System	120	– Headlights (Control)	122
Central Locking	144	– Headlights (Power)	123
Charging System	109	– Interior	130
Cigar Lighter	131	– License	127
Cruise Control	128	– Rear Marker	127
Diagnostic Connector	101	– Stoplights	129
Digital Clock	131	– Tail	126
Fuel control	112	– Turn	124
Fuel Delivery		– Trunk	127
– With On-Board Computer	110	On-Board Computer	136
– Without On-Board Computer	111	Power Antenna	133
Fuel Economy Gauge	118	Power Distribution	104
Fuel Gage	117	Power Distribution Box	102
Fuse Data	103	Power Mirrors	
Gauges	117	– Single Motor	134
Ground Distribution	149	– Dual Motors	135
Heating	139	Power Windows	146
Horn	147	Radio	133
Idle Speed Control	114	Rear Defogger	132
Ignition:		Seatbelt Warning	121
– With On-Board Computer	110	Service Interval Indicator	119
– Without On-Board Computer	111	Speedometer	116
Ignition Key Warnings	121	Start	108
Indicators	116	Tachometer	118
Lights		Temperature Gauge	117
– Back Up	147	Vacuum Advance	115
– Dash	138	Warning Indicators	116
– Fog	122	Wiper/Washer	148
– Front Park	126		



DIAGNOSTIC CONNECTOR

PIN	WIRE SIZE	WIRE COLOR	CIRCUIT AND COMPONENT CONNECTED
1	1.5	BR	Ground Distribution G101
4	.5	BR/VI	Gauges/Warning Indicators, Coolant Temperature Sender.
5	.5	WT/GN	Fuel Control, Injector Control Module (Fuel Rate)
7	.5	WT/BU	Service Interval Indicator, Service Interval Processor (Reset).
11	2.5	BK/YL	Start, Start Signal.
12	.75	BU	Charge System, Alternator.
13	.75	BK	Ignition, Ignition Coil.
14	2.5	RD	Charge System, Alternator.
15	1.5	GN/YL	Idle Speed Control, Idle Speed Control Unit.

102 POWER DISTRIBUTION BOX

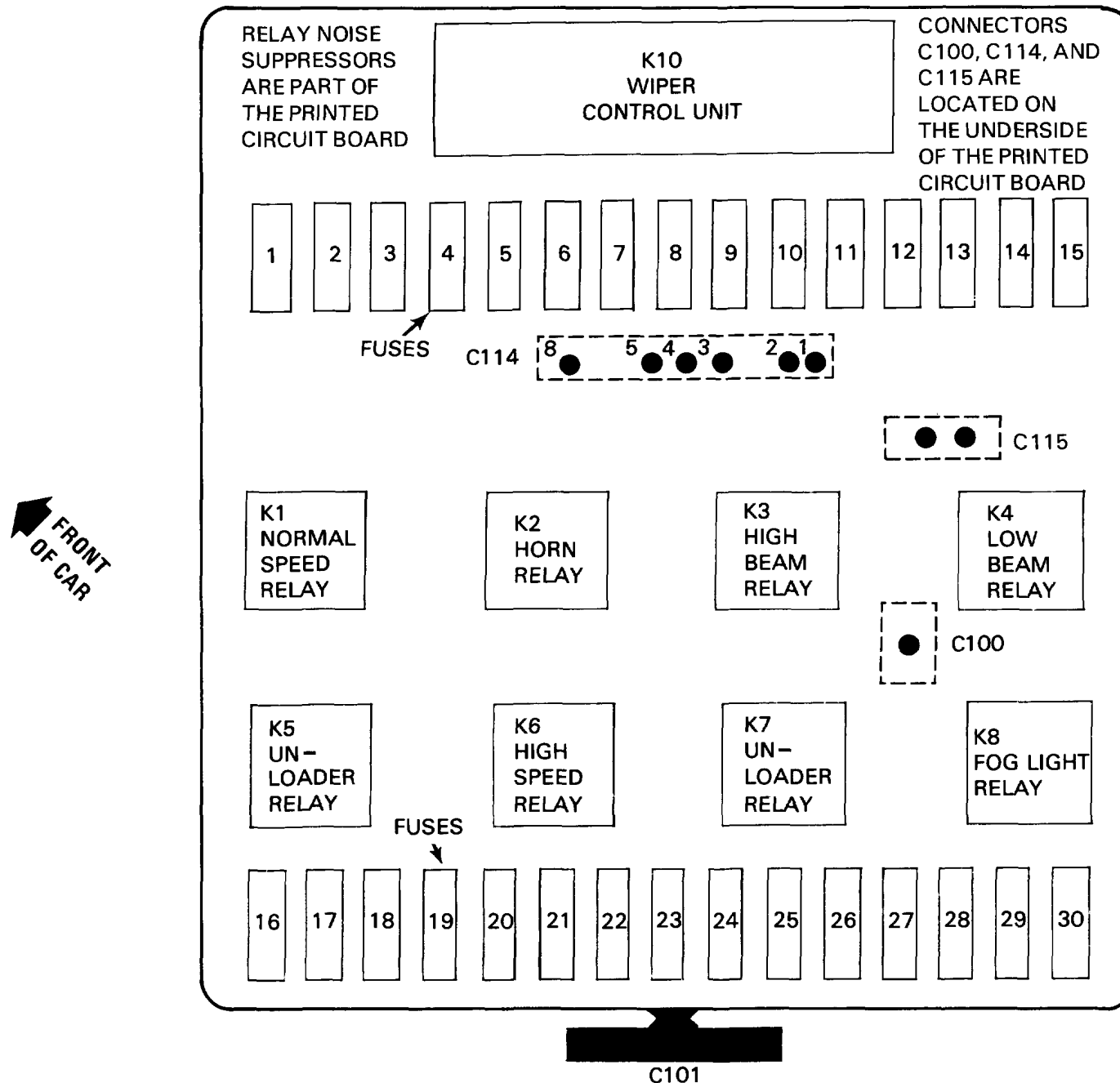


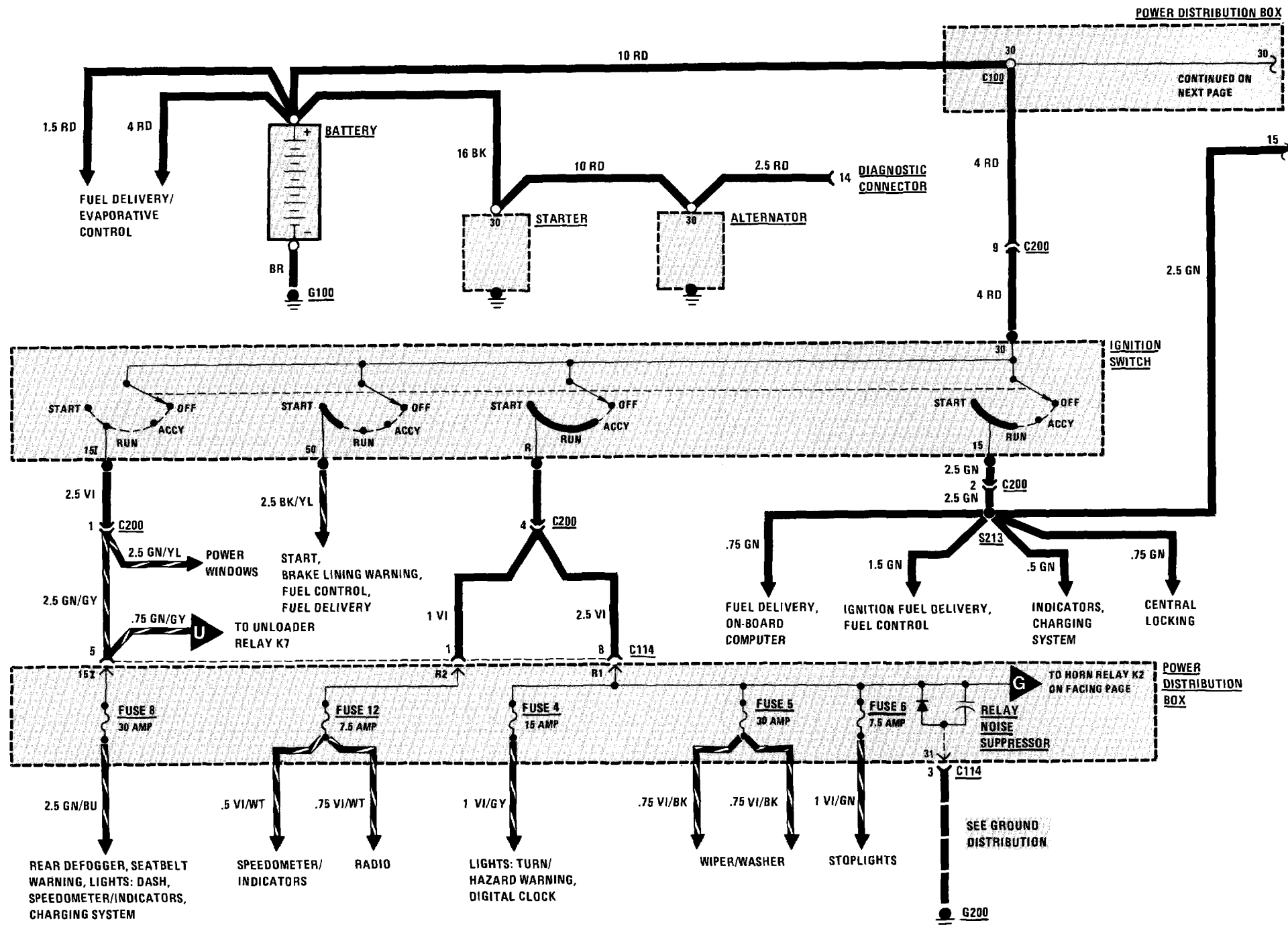
Figure 1 - Behind Left Front Shock Tower

FUSE NO.	SIZE/ COLOR	CIRCUIT NAME
1	7.5A (BR)	Headlights (also fuses 2, 13, 14).
2	7.5A (BR)	Headlights (also fuses 1, 13, 14).
3	15A (LT BU)	Auxiliary Fan (also fuses 18, 19).
4	15A (LT BU)	Lights: Turn/Hazard Warning (also fuse 24); Digital Clock.
5	30A (LT GN)	Wiper/Washer.
6	7.5A (BR)	Stoplights/Cruise Control (also fuse 10).
7	15A (LT BU)	Horn.
8	30A (LT GN)	Rear Defogger (also 23); Seatbelt Warning (also fuses 10, 21); Speedometer/Indicators (also fuse 12).
9	15A (LT BU)	Idle Speed Control/Vacuum Advance.
10	7.5A (BR)	Seatbelt Warning (also fuses 8,21); Service Interval Indicator (also fuse 21); Tachometer/Fuel Economy Gauges (also fuse 24); Gauges/Indicators; Brake Warning System; Start, Back Up Lights; Idle Speed Control (also fuse 10); Stoplights/Cruise Control (also fuse 6); On-Board Computer (also fuses 12, 21, 27).
11	15A (LT BU)	Fuel Delivery.
12	7.5A (BR)	Radio (also fuse 21); Speedometer/Indicators (also fuse 8); On-Board Computer (also fuses 10, 21, 27).
13	7.5A (BR)	Headlights (also fuses 1, 2, 14).
14	7.5A (BR)	Headlights (also fuses 1, 2, 13).
15		Not Used.
16		Not Used.
17	15A (LT BU)	Accessory Connector. (Not Used)
18	30A (LT GN)	Auxiliary Fan (also fuses 3, 19).
19	7.5A (BR)	Auxiliary Fan (also fuses 3, 18); Interior Lights (also fuses 21, 27); Power Mirrors.

FUSE NO.	SIZE/ COLOR	CIRCUIT NAME
20	30A (LT GN)	Heater/Air Conditioning (also fuse 28).
21	7.5A (BR)	Auto-Charging Flashlight; Digital Clock; Glove Box Light; Ignition Key Warning/Seatbelt Warning (also fuse 8, 10); Interior Lights (also fuses 14, 22, 27); Radio (also fuses 12); Trunk Light; Service Interval Indicator (also fuse 10); On-Board Computer (also fuses 10, 12, 27).
22	7.5A (BR)	Interior Lights (also fuses 19, 21, 27); Lights: Front Park/Tail (also fuse 23); Lights: Front Side Marker (also fuse 23).
23	7.5A (BR)	Lights: Dash; Lights: Front Park/Tail (also fuse 22); Lights: Front Side Marker (also fuse 22); Lights: Rear Marker/License; Rear Defogger (also fuse 8).
24	15A (LT BU)	Lights: Turn/Hazard Warning (also fuse 4); Tachometer/Fuel Economy Gauges (also fuse 10); Service Interval Indicator (also fuse 10).
25		Not Used.
26		Not Used.
27	30A (LT GN)	Interior Lights (also fuses 19, 21, 22); Central Locking; On-Board Computer (also fuses 10, 12, 21).
28	30A (LT GN)	Cigar Lighter; Power Antenna.
29	7.5A (BR)	Fog Lights (also fuse 30).
30	7.5A (BR)	Fog Lights (also fuse 29).

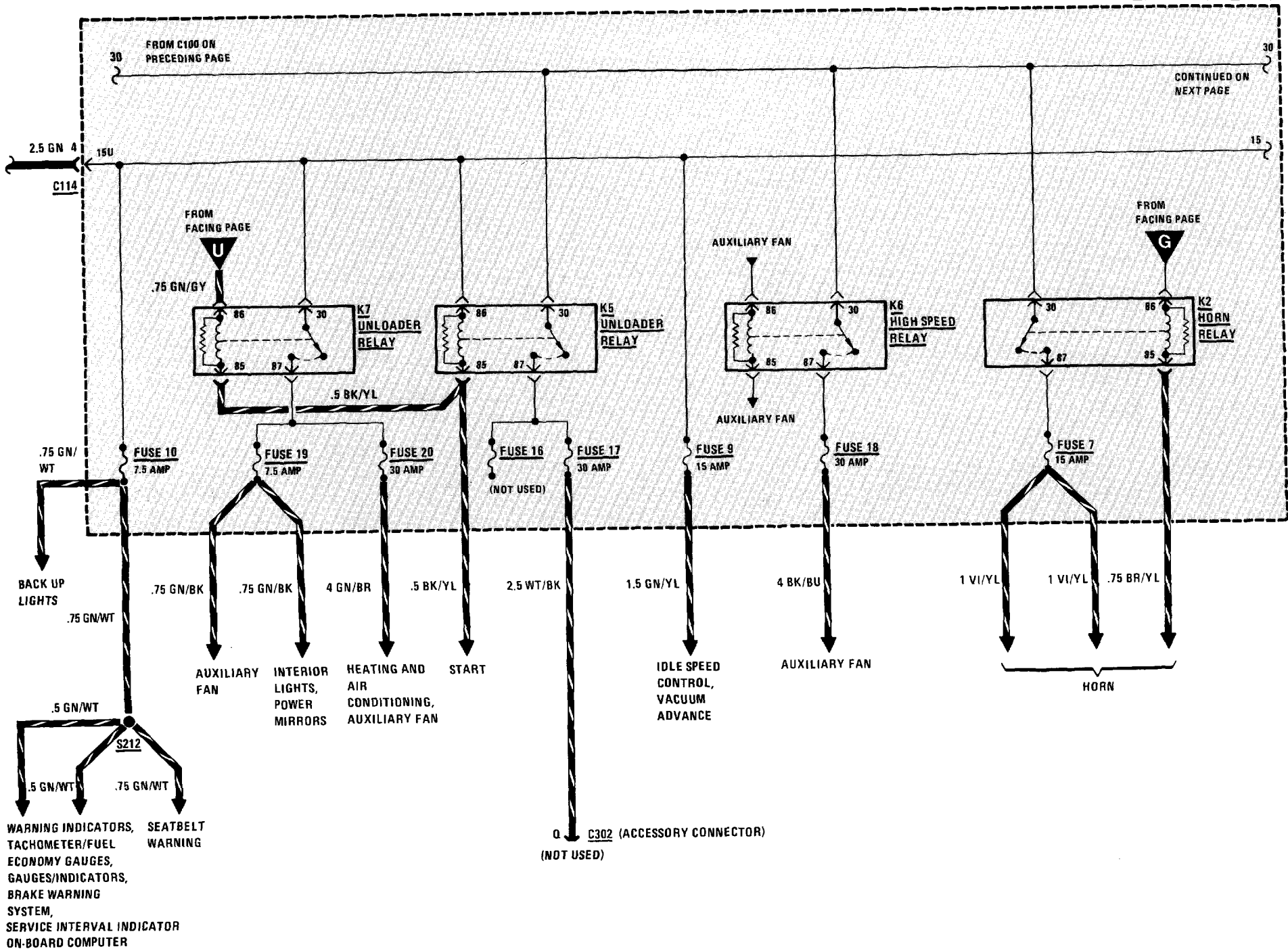
104 POWER DISTRIBUTION

(For Component Locations See Page 212)



(For Component Locations See Page 212)

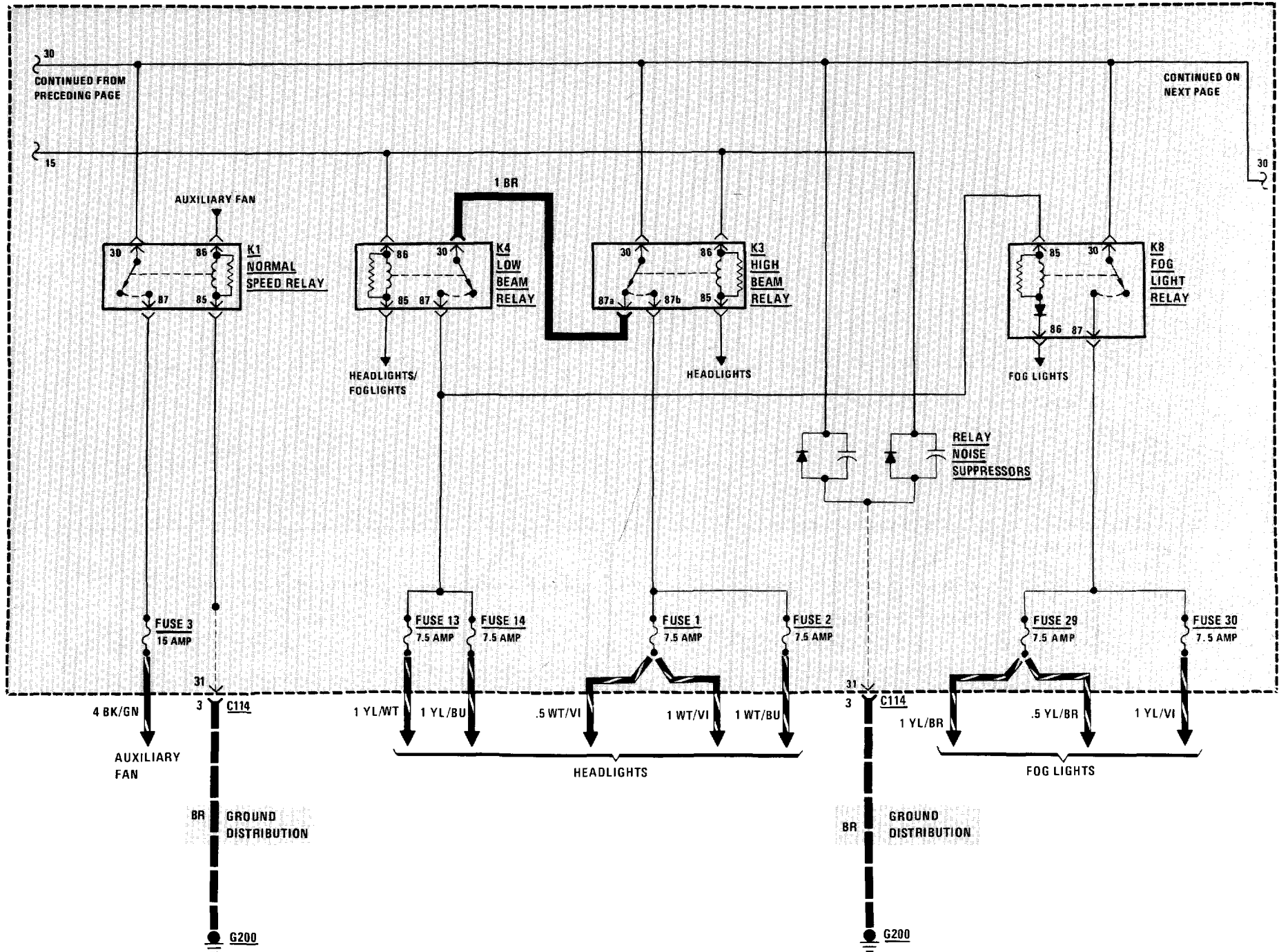
POWER DISTRIBUTION BOX



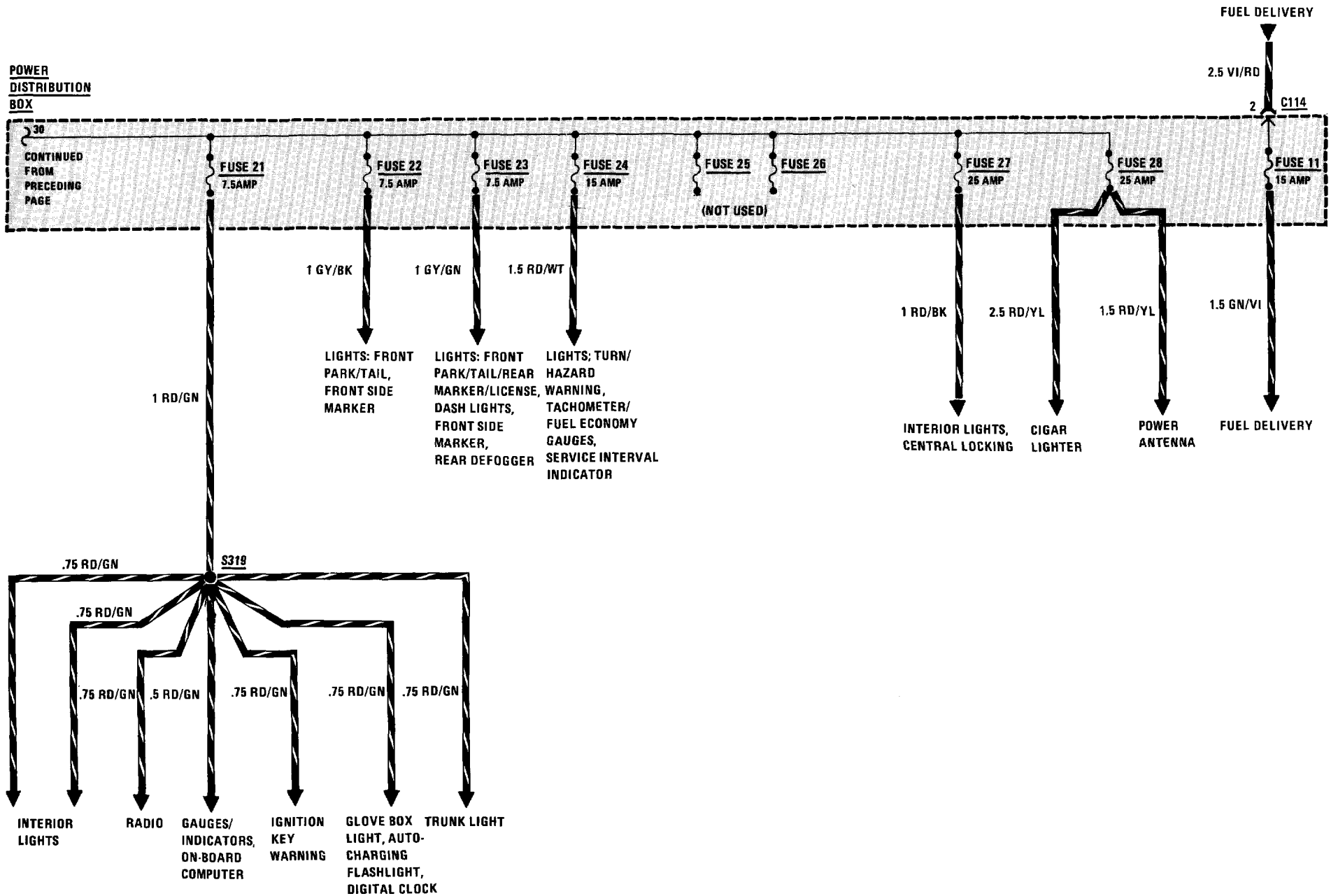
106 POWER DISTRIBUTION

(For Component Locations See Page 212)

POWER DISTRIBUTION BOX

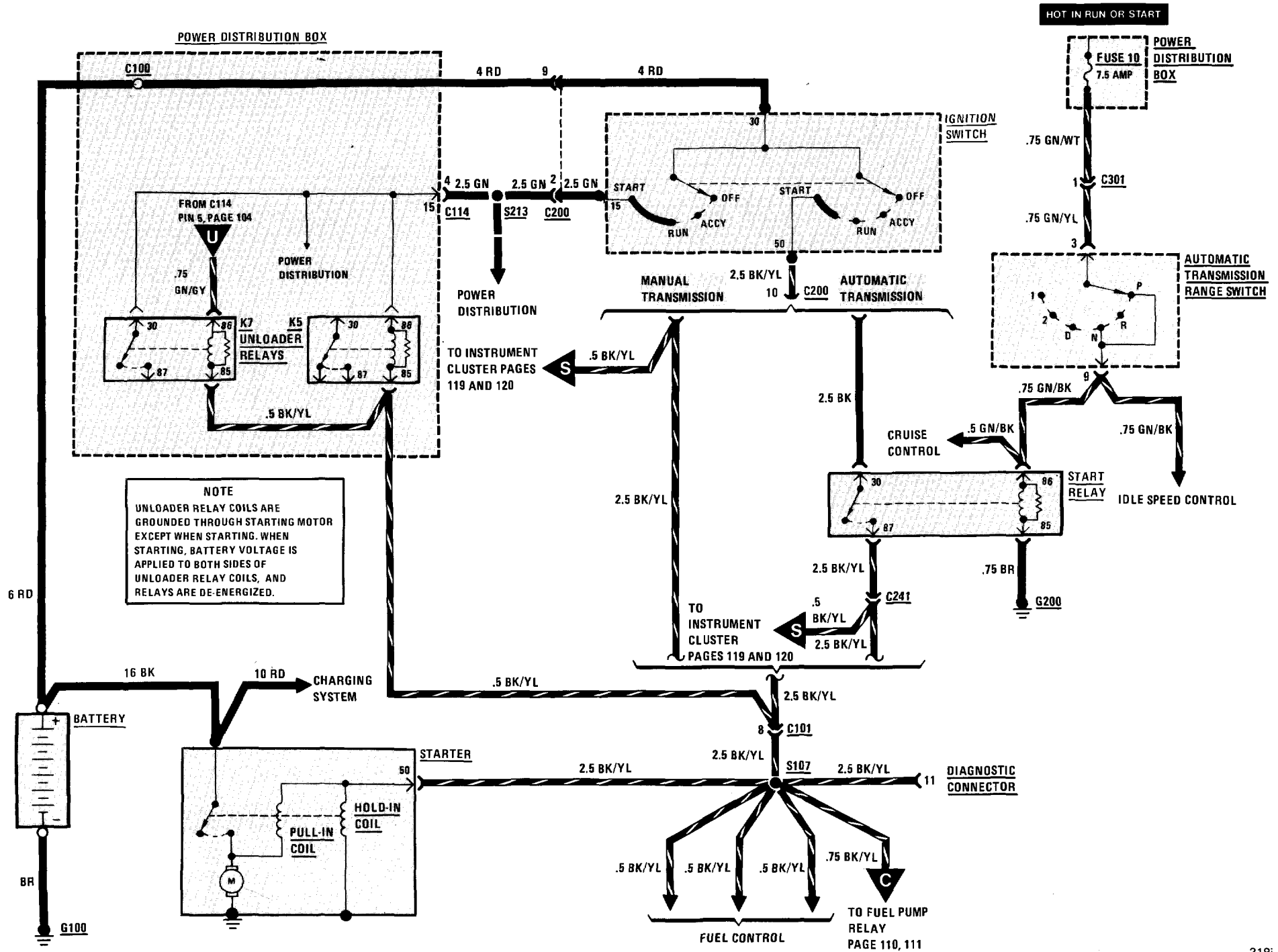


(For Component Locations See Page 212)

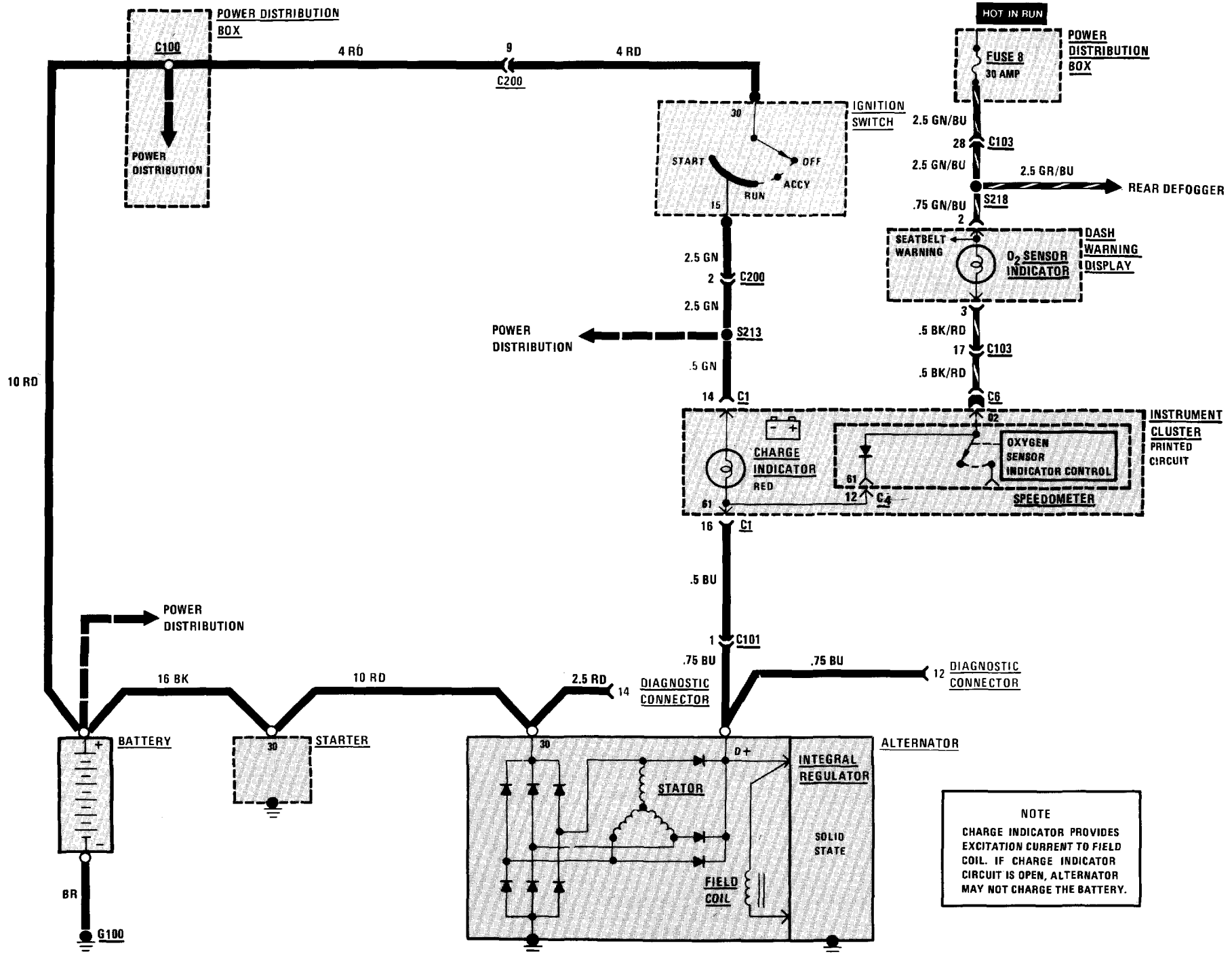


108 START

(For Component Locations See Page 206)

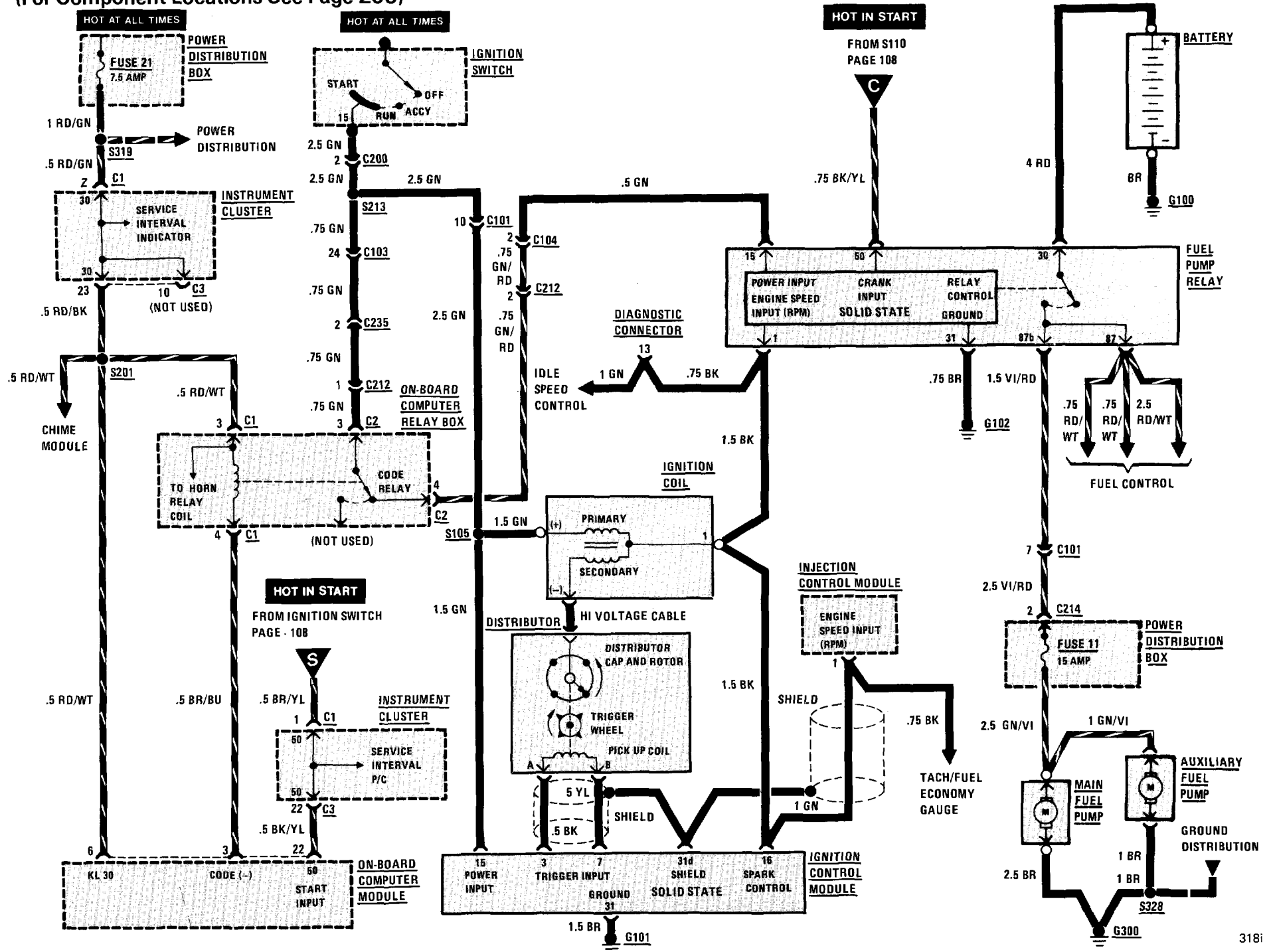


(For Component Locations See Page 204)

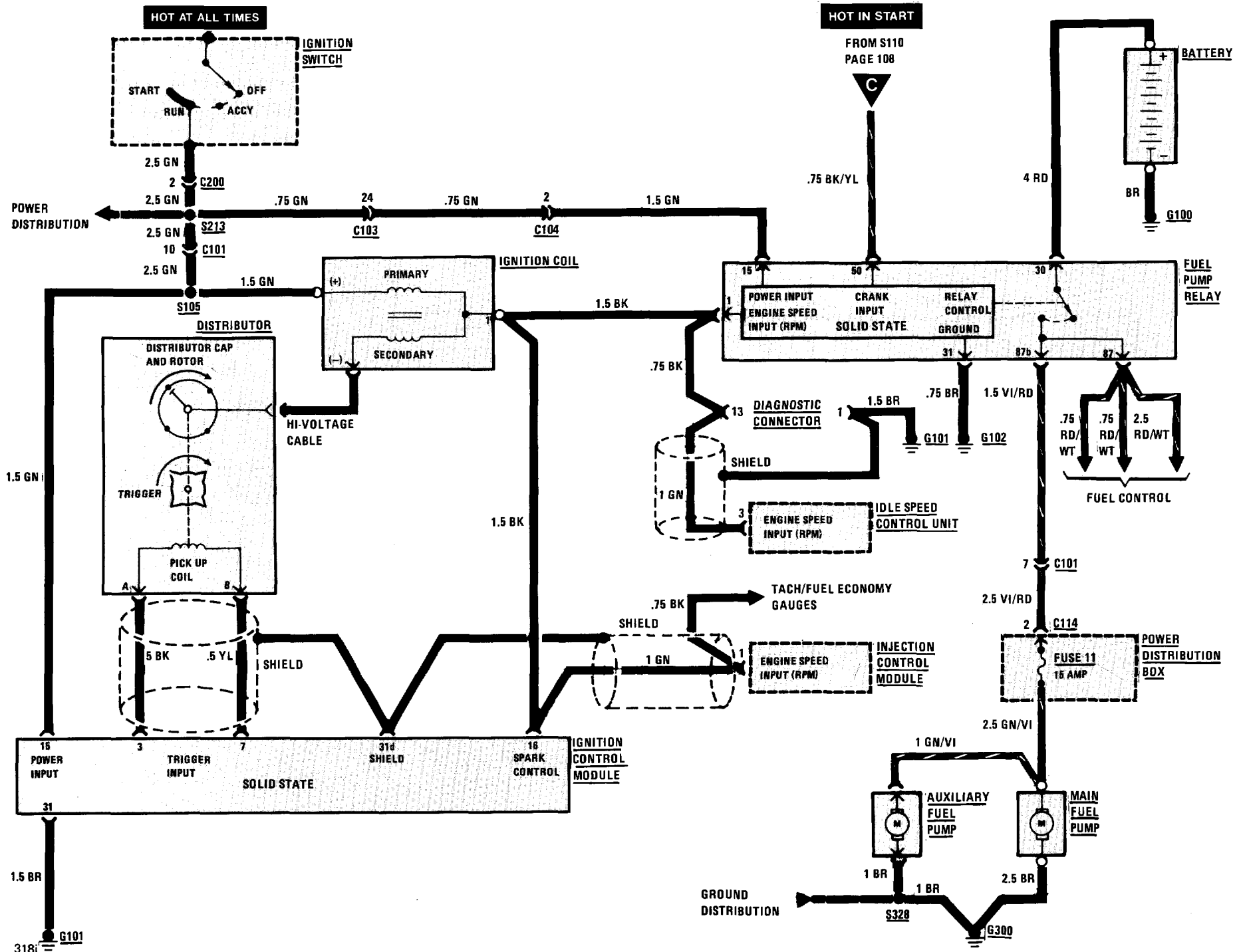


110 IGNITION/FUEL DELIVERY (WITH ON-BOARD COMPUTER)

(For Component Locations See Page 205)

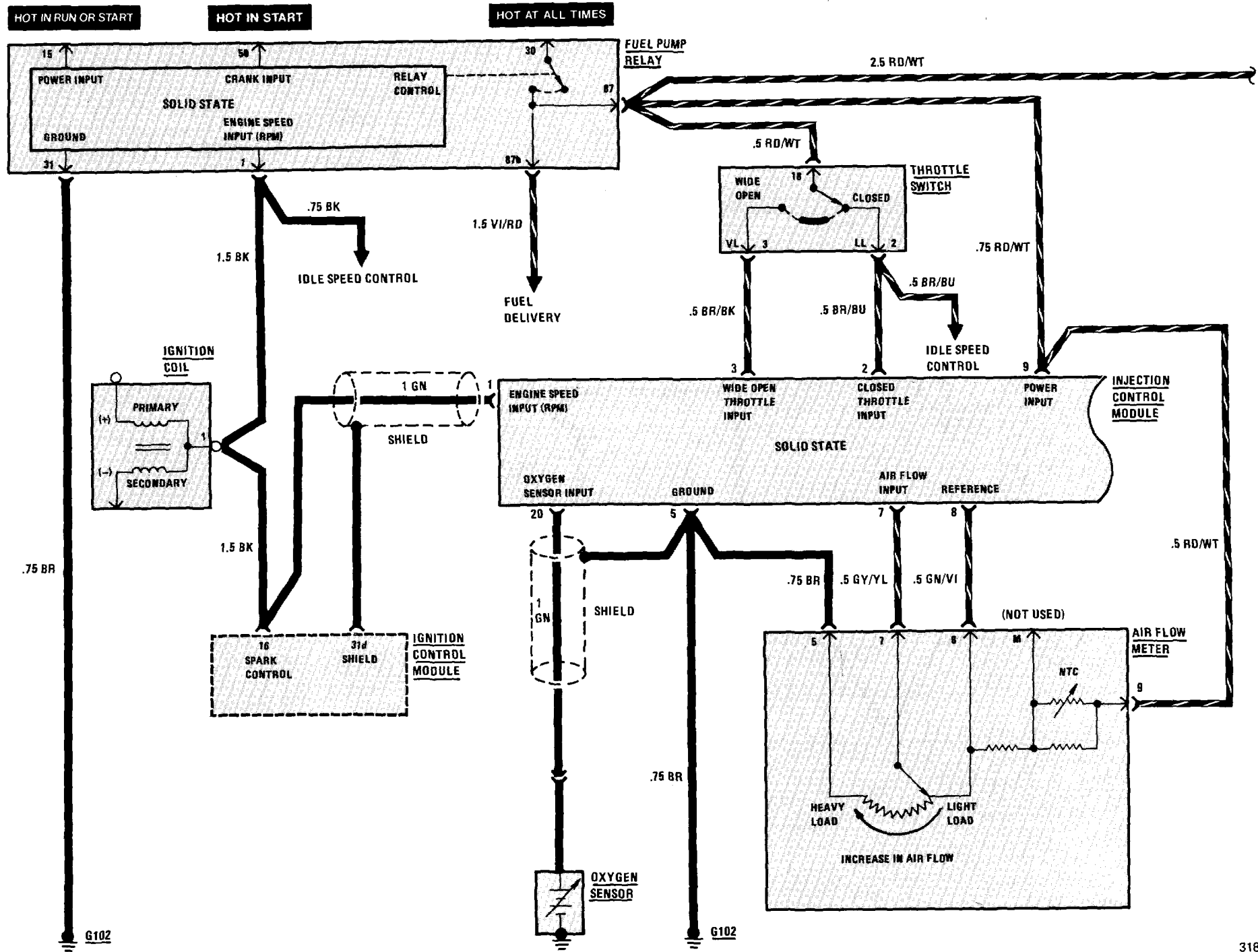


(For Component Locations See Page 205)

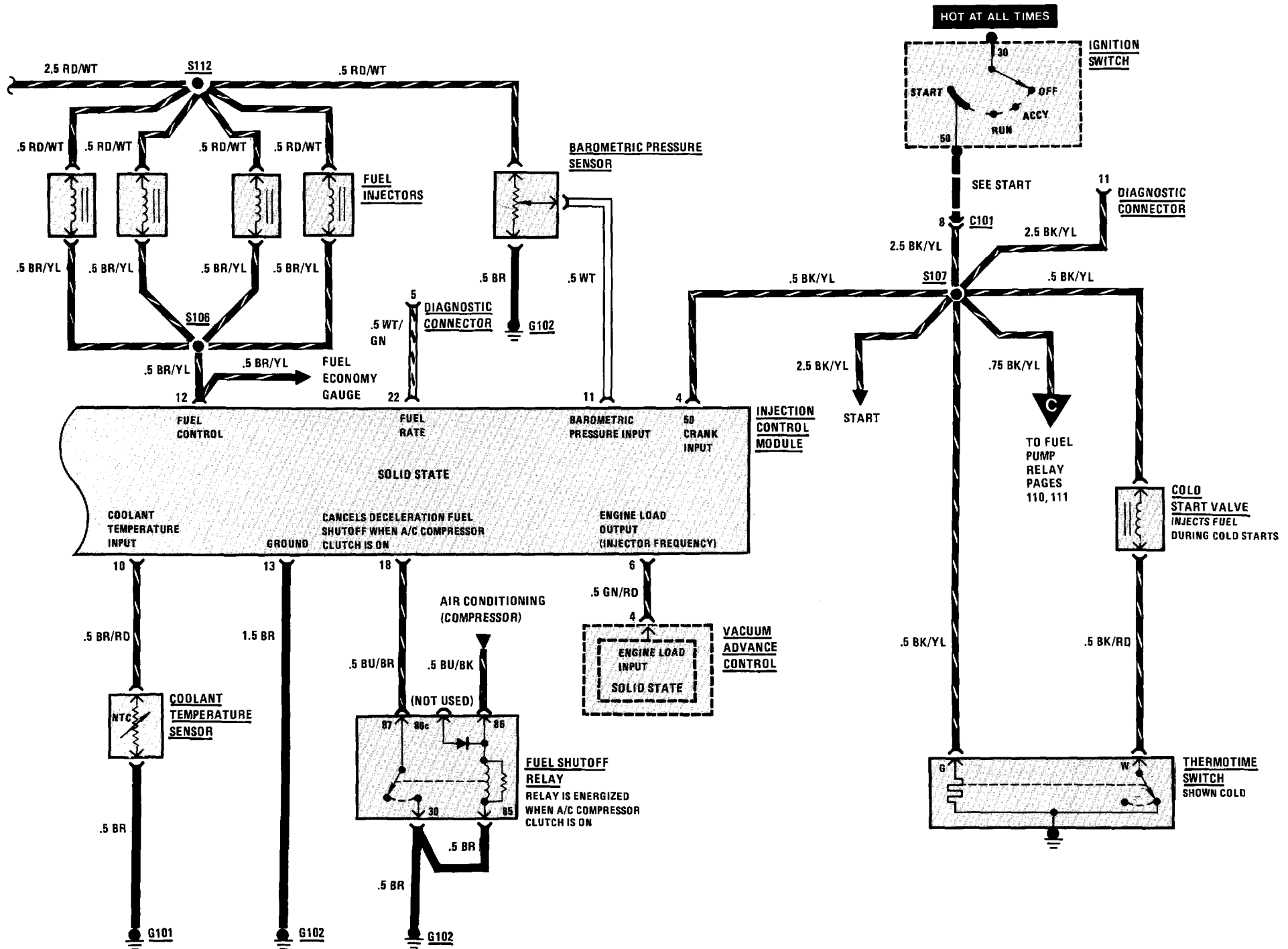


112 FUEL CONTROL

(For Component Locations See Page 204)

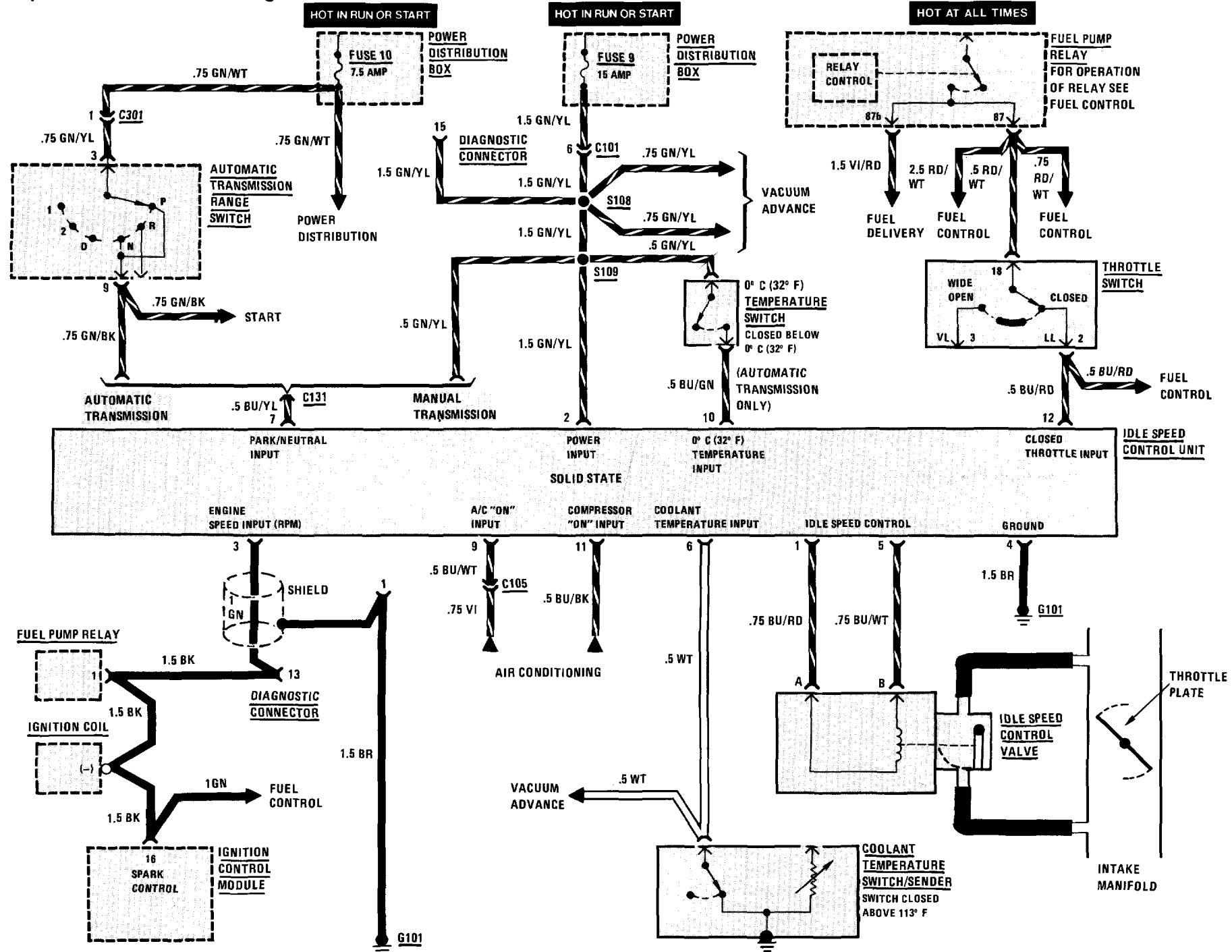


(For Component Locations See Page 204)

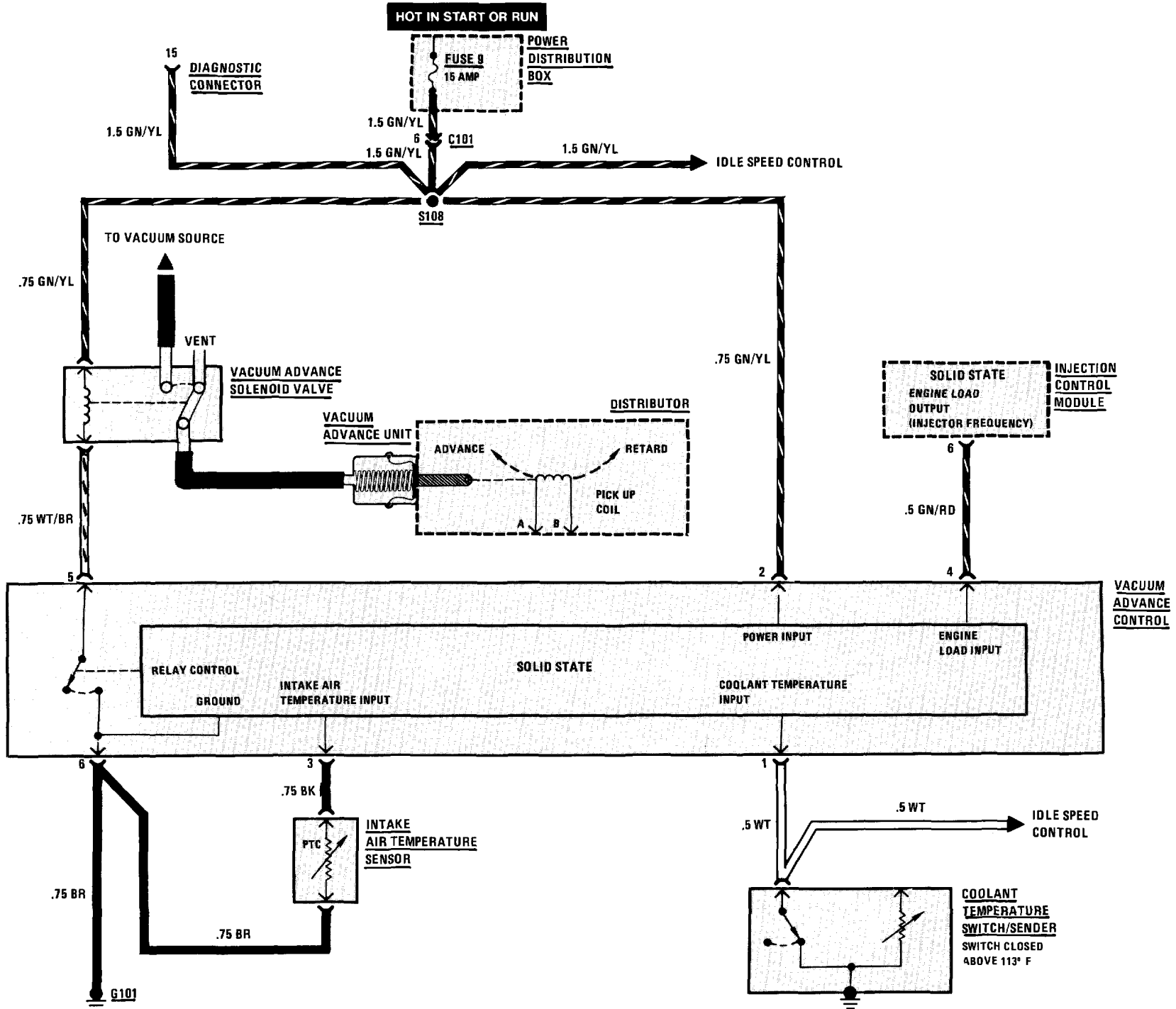


114 IDLE SPEED CONTROL

(For Component Locations See Page 204)

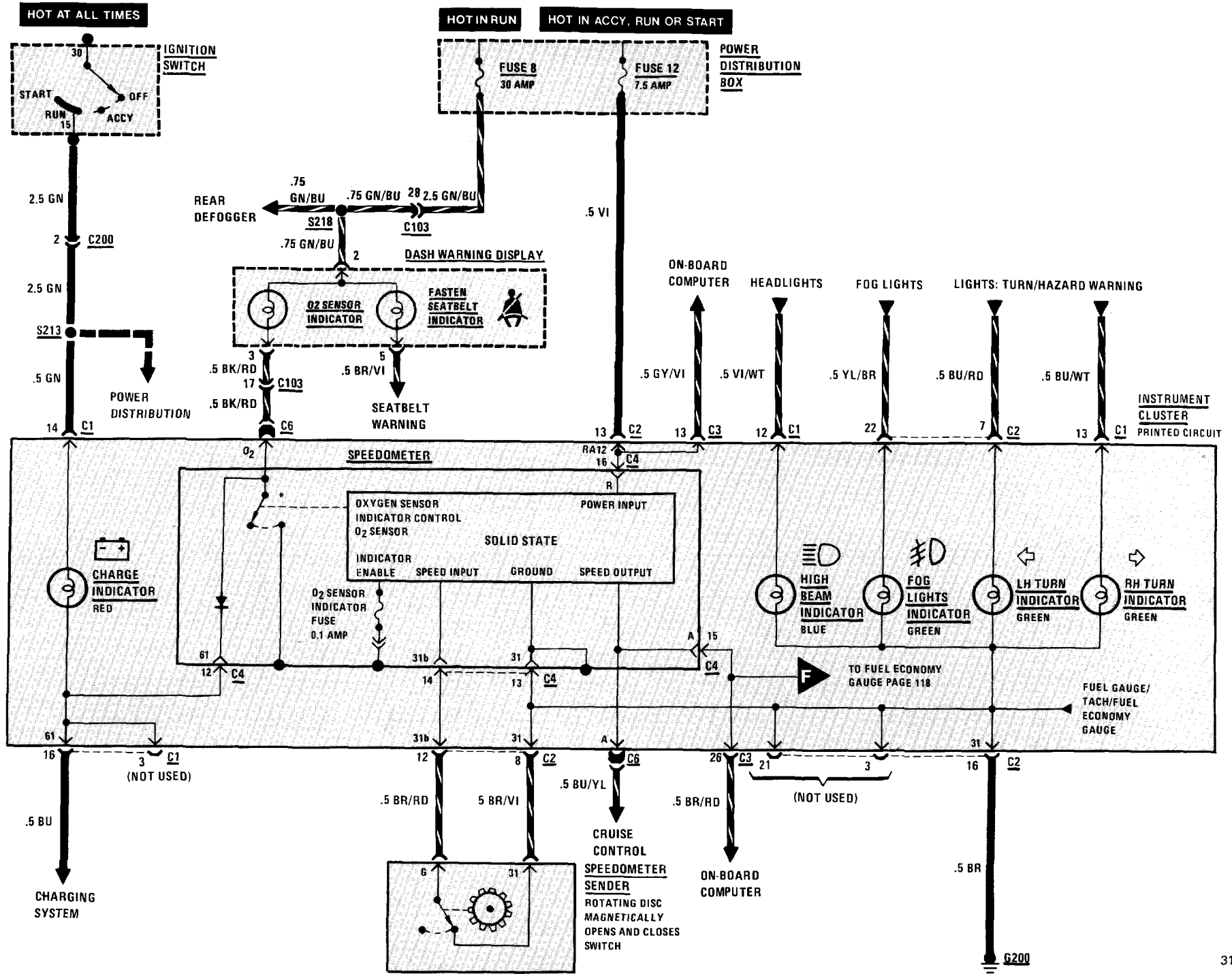


(For Component Locations See Page 206)

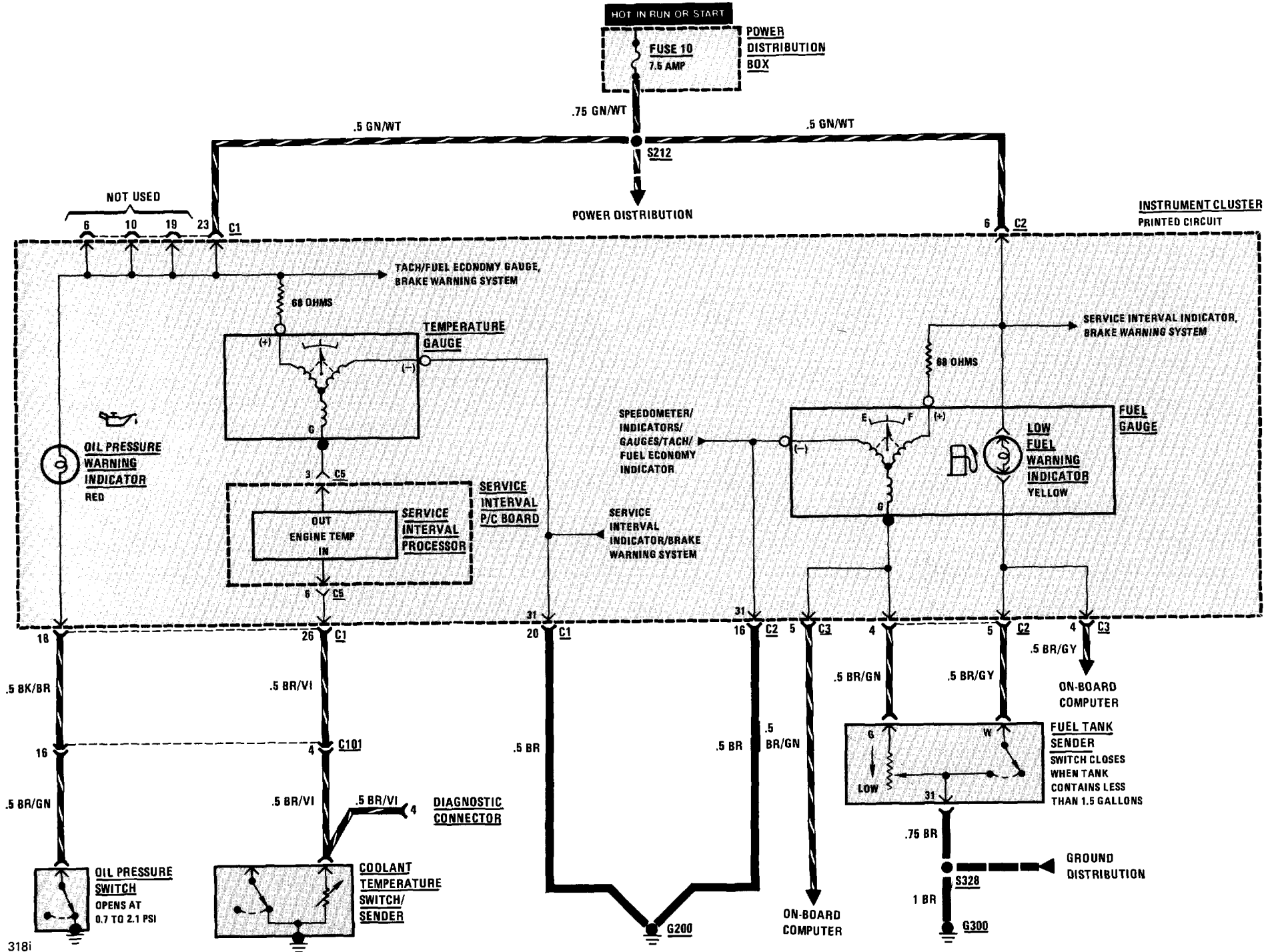


116 SPEEDOMETER/INDICATORS

(For Component Locations See Page 213)

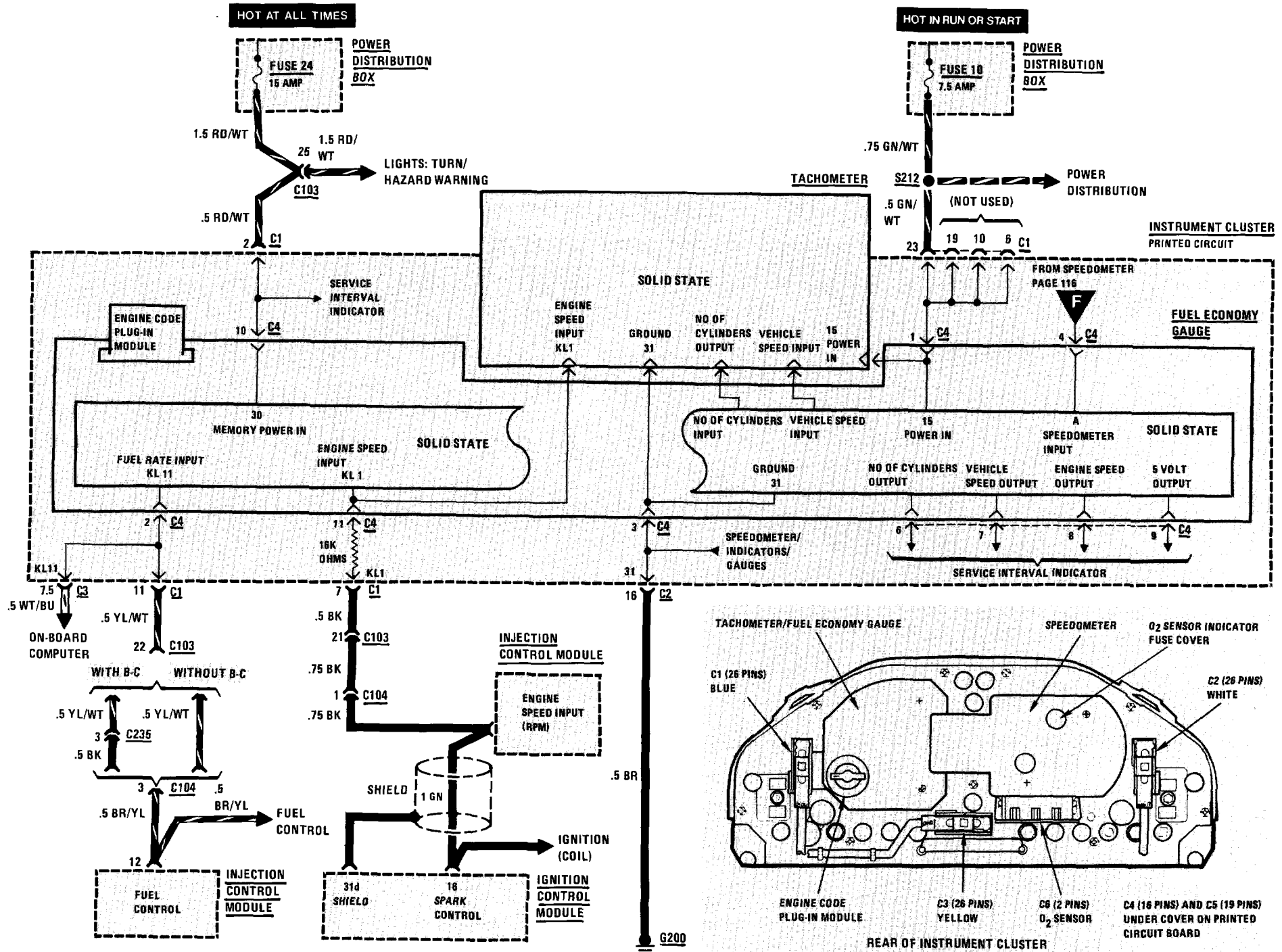


(For Component Locations See Page 213)

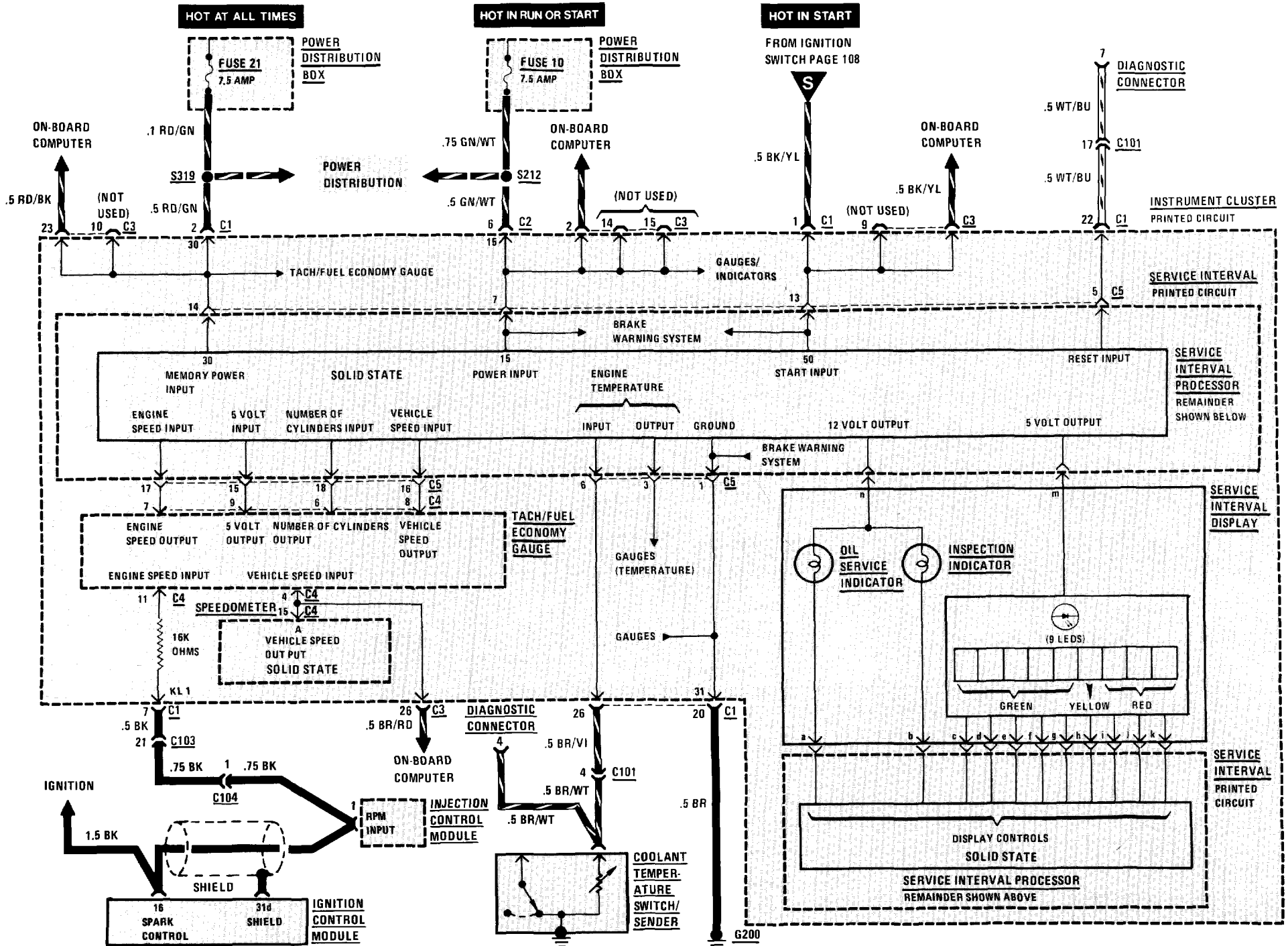


118 TACHOMETER/FUEL ECONOMY GAUGE

(For Component Locations See Page 214)

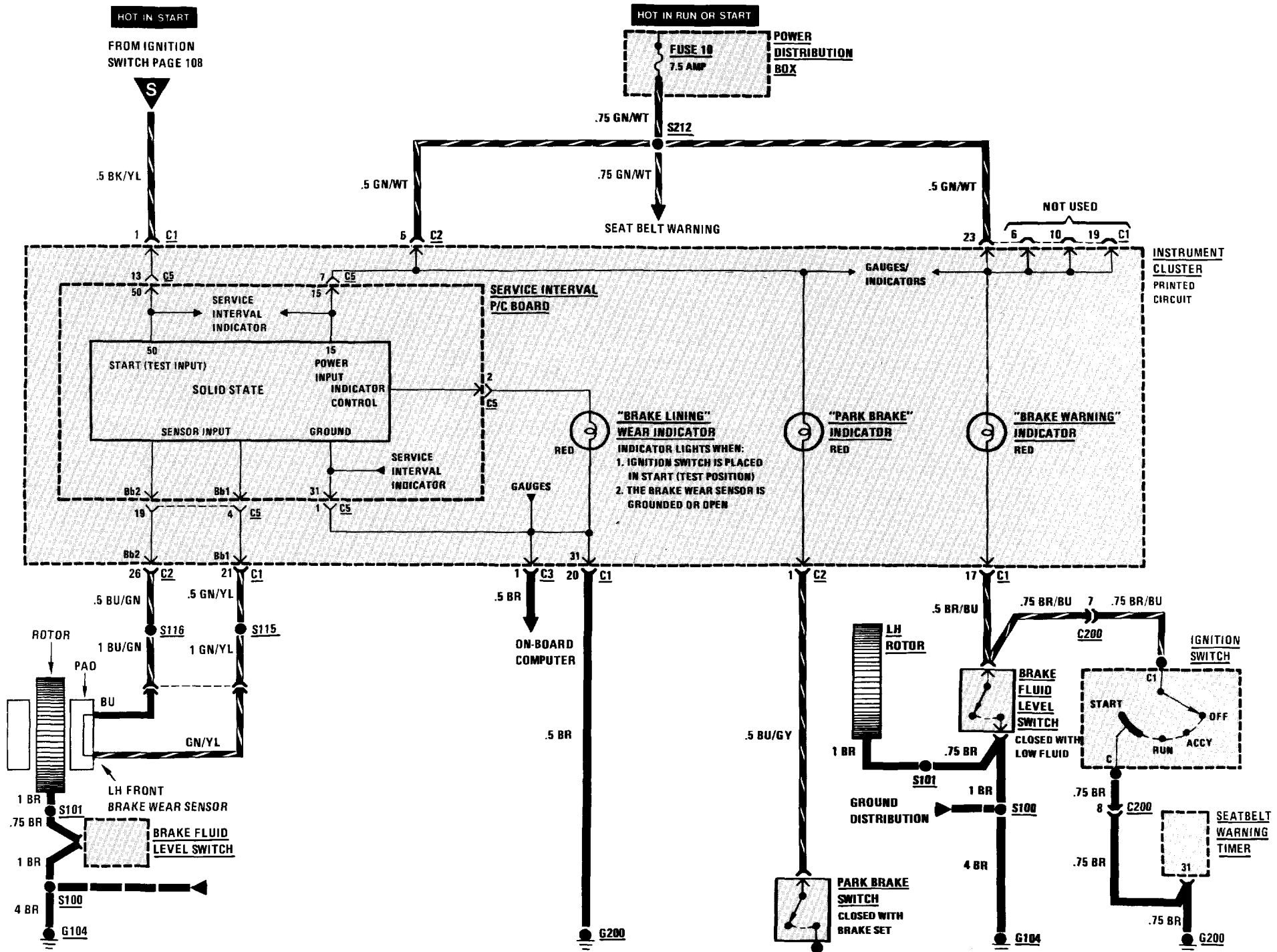


(For Component Locations See Page 213)

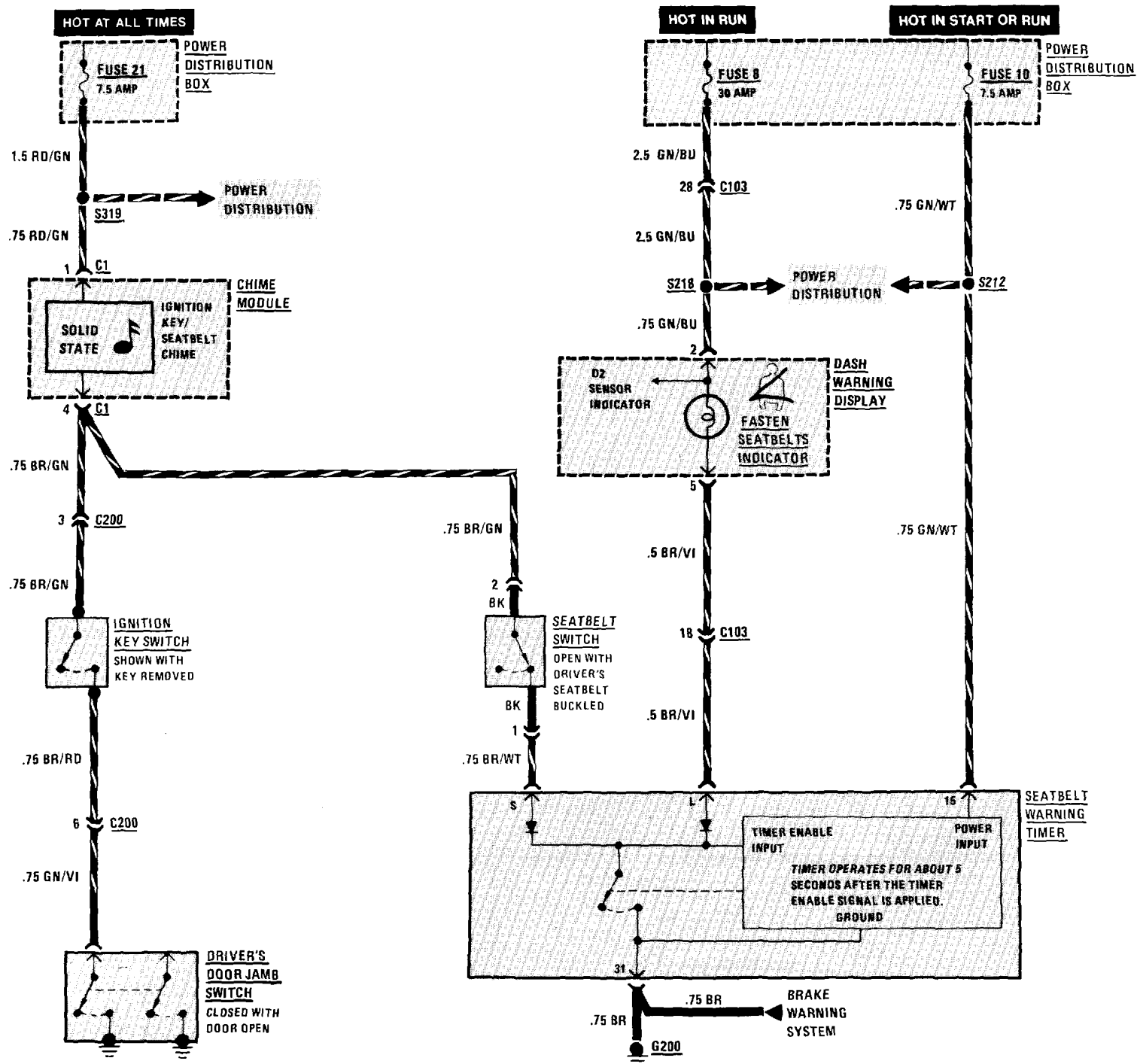


120 BRAKE WARNING SYSTEM

(For Component Locations See Page 202)

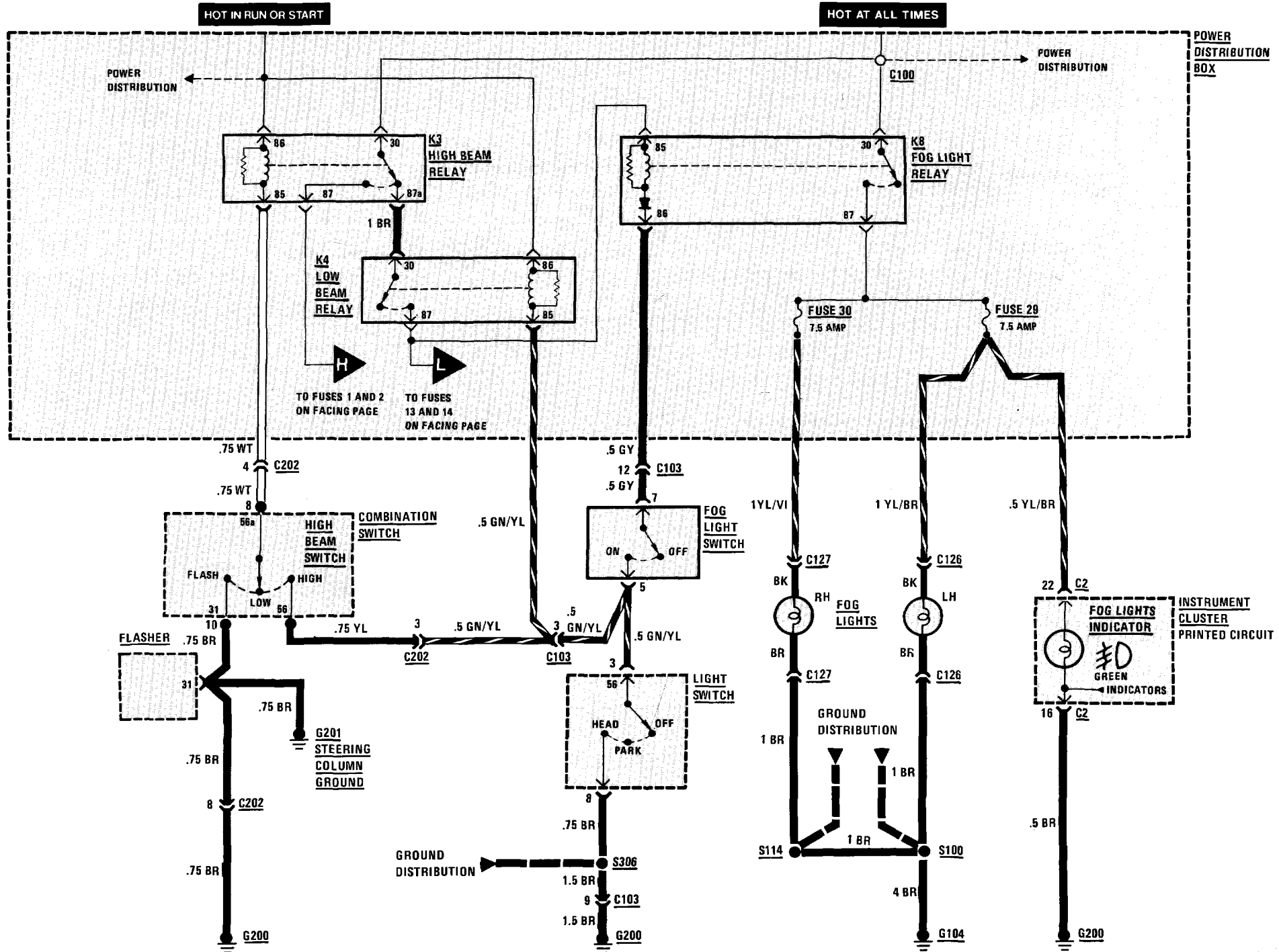


(For Component Locations See Page 210)

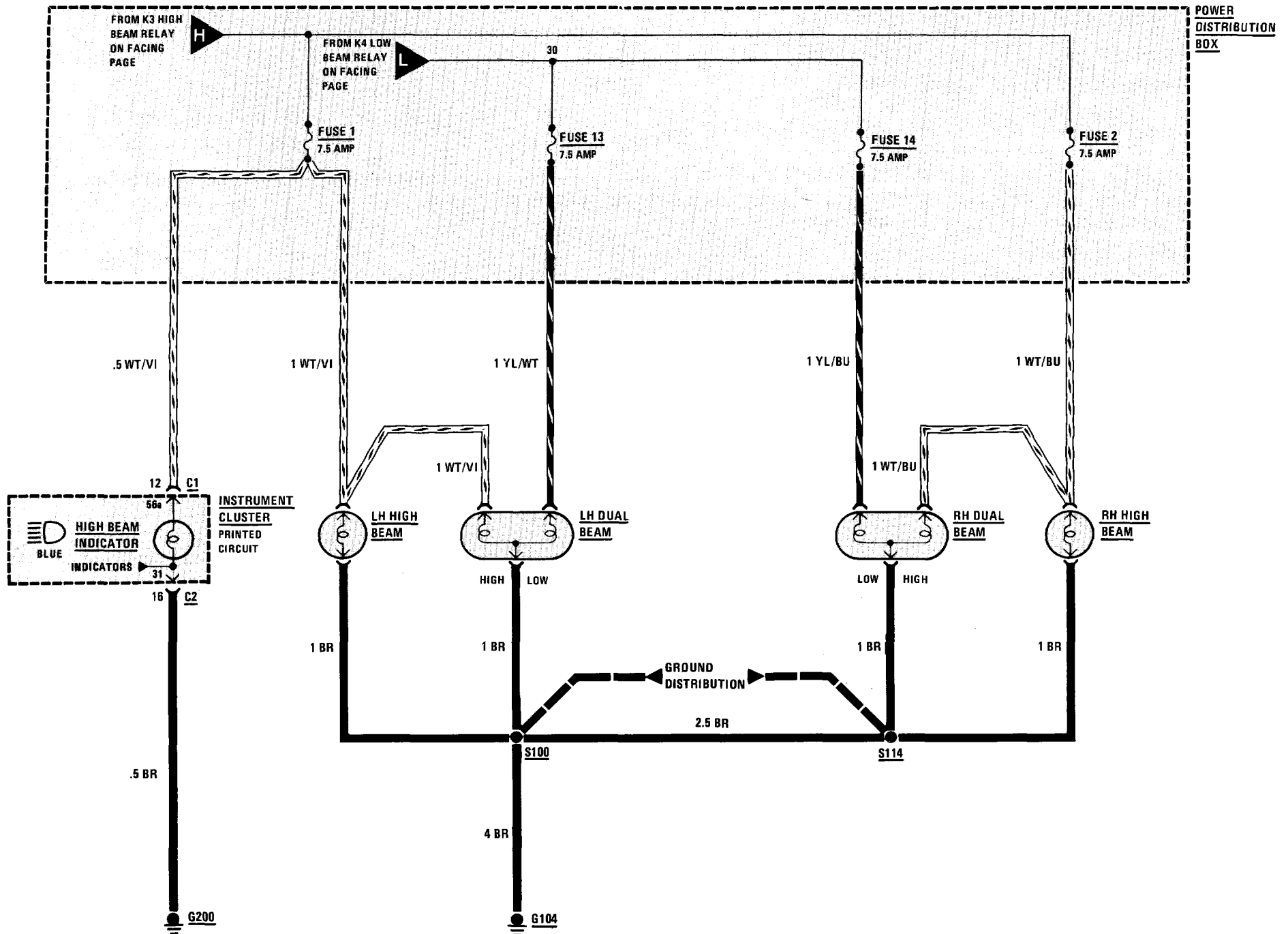


122 HEADLIGHTS (CONTROL)/FOG LIGHTS

(For Component Locations See Page 209)

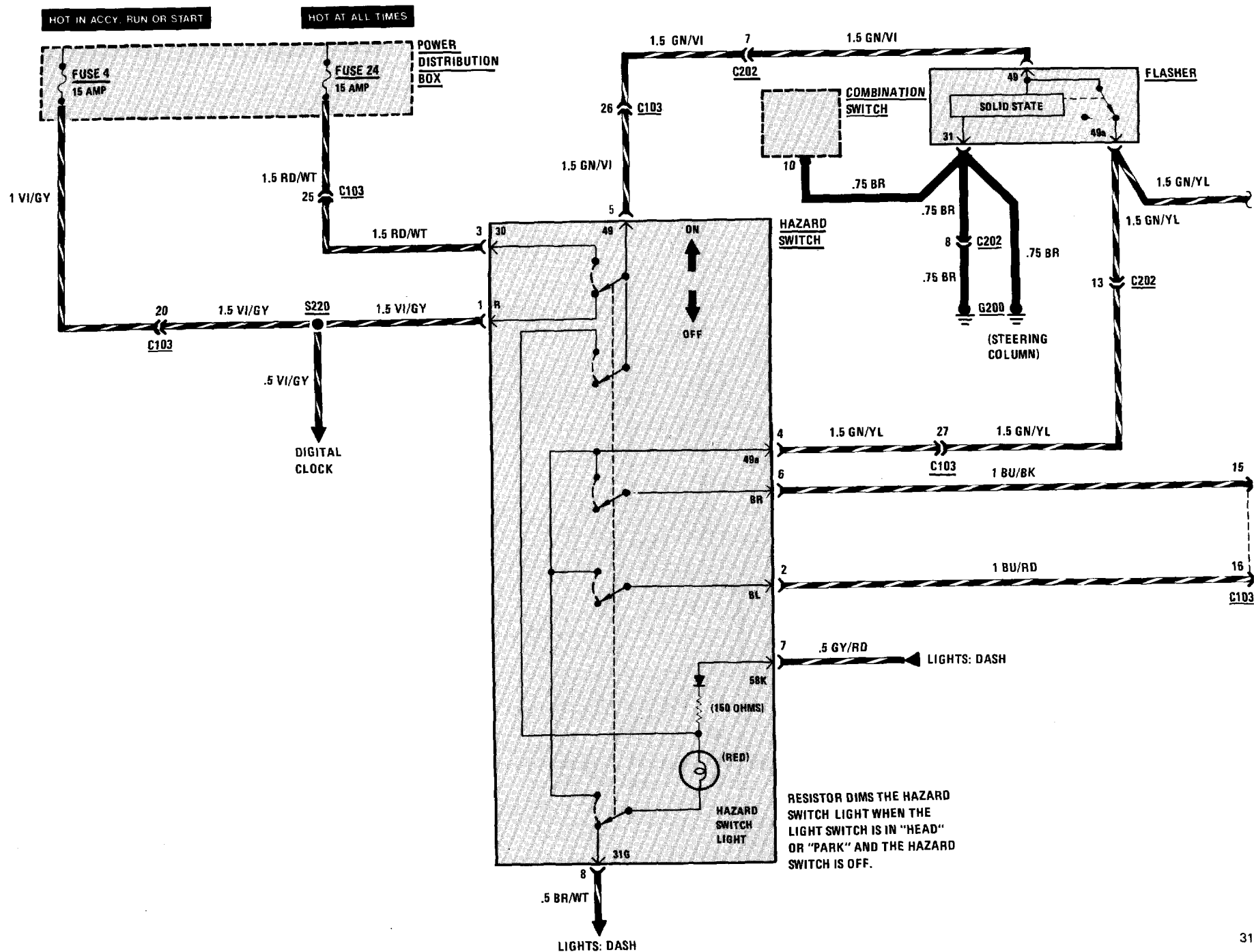


(For Component Locations See Page 209)



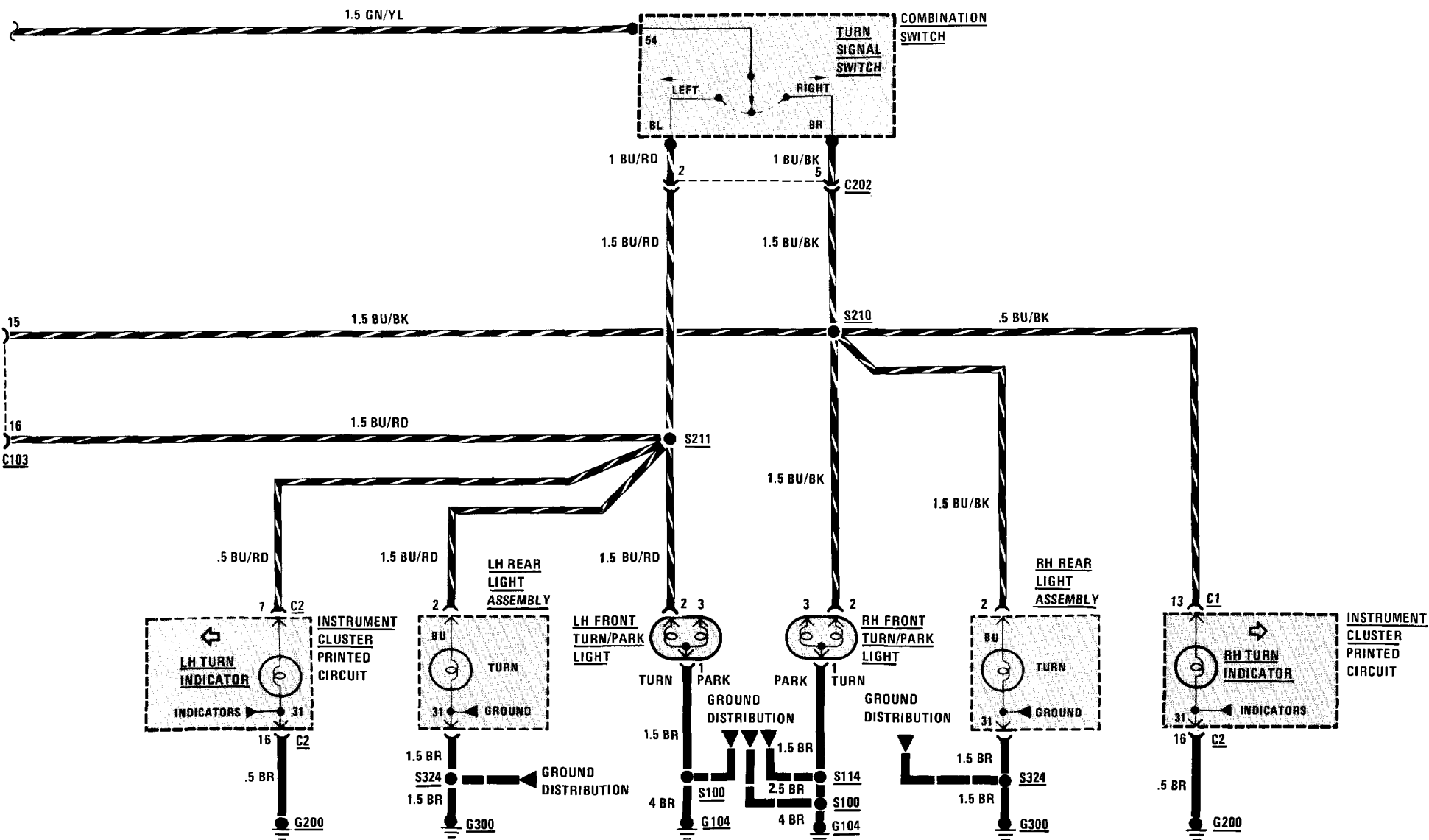
124 LIGHTS: TURN/HAZARD WARNING

(For Component Locations See Page 211)



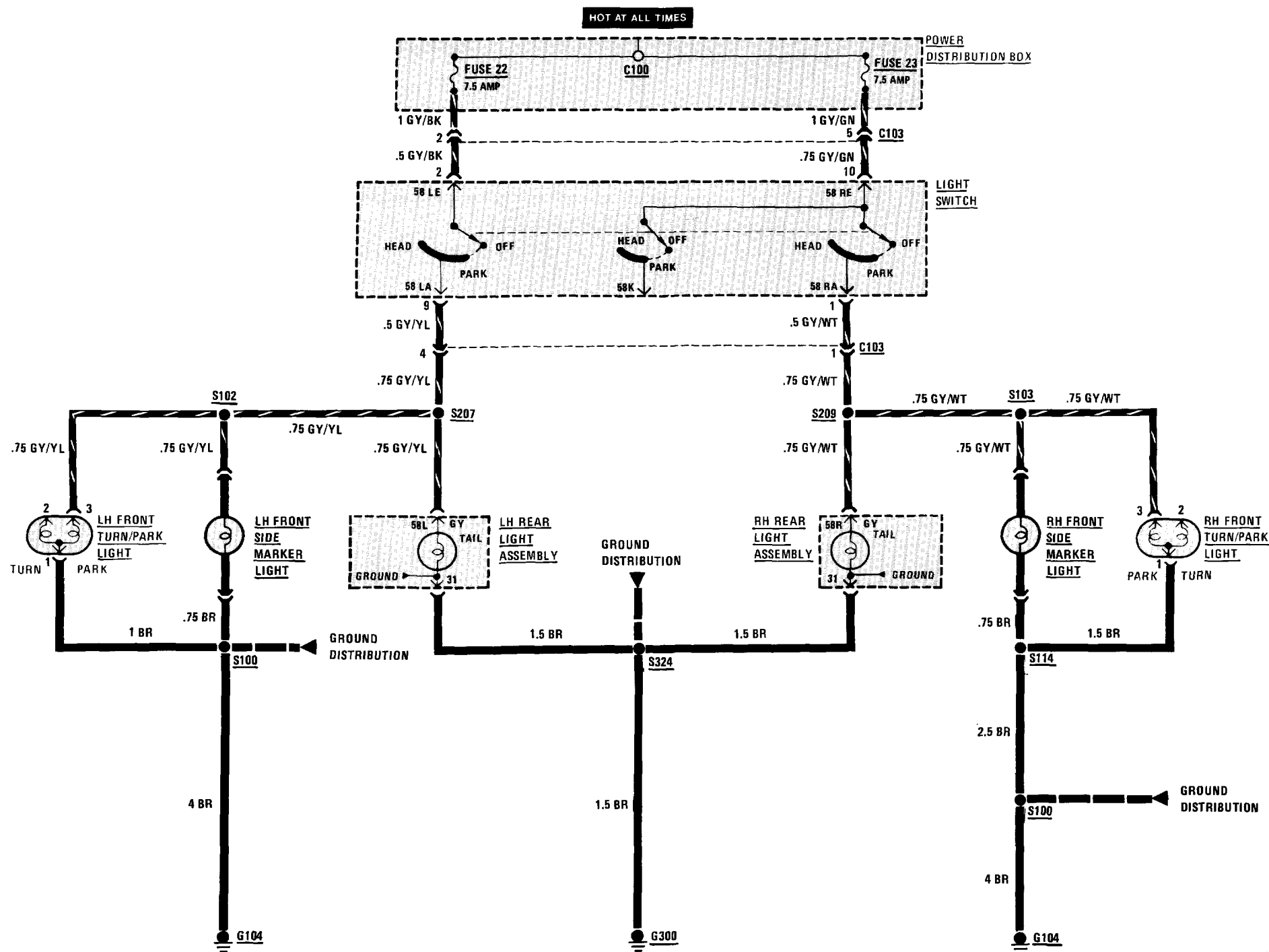
LIGHTS: TURN/HAZARD WARNING 125

(For Component Locations See Page 211)



126 LIGHTS: FRONT PARK/FRONT SIDE MARKER/TAIL

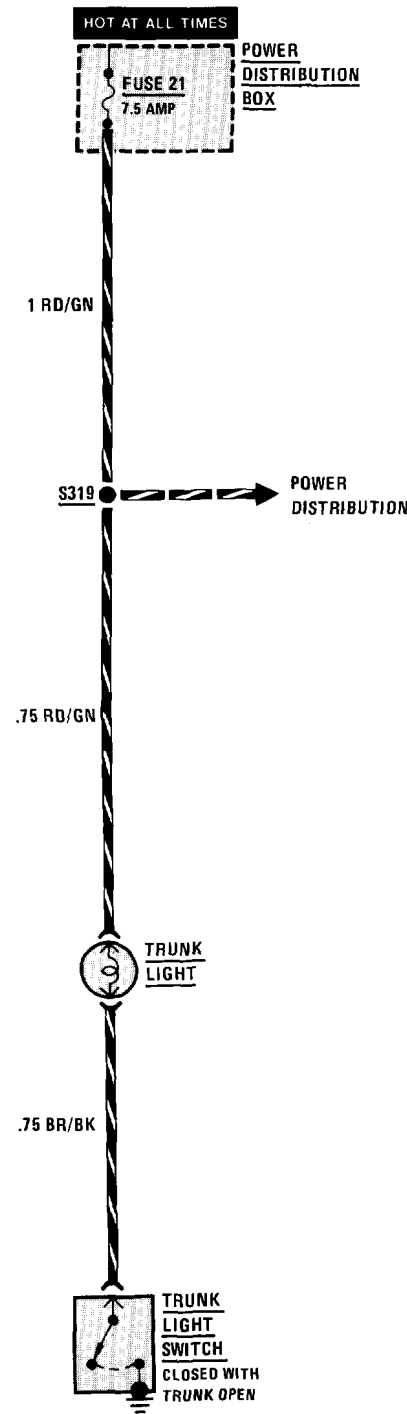
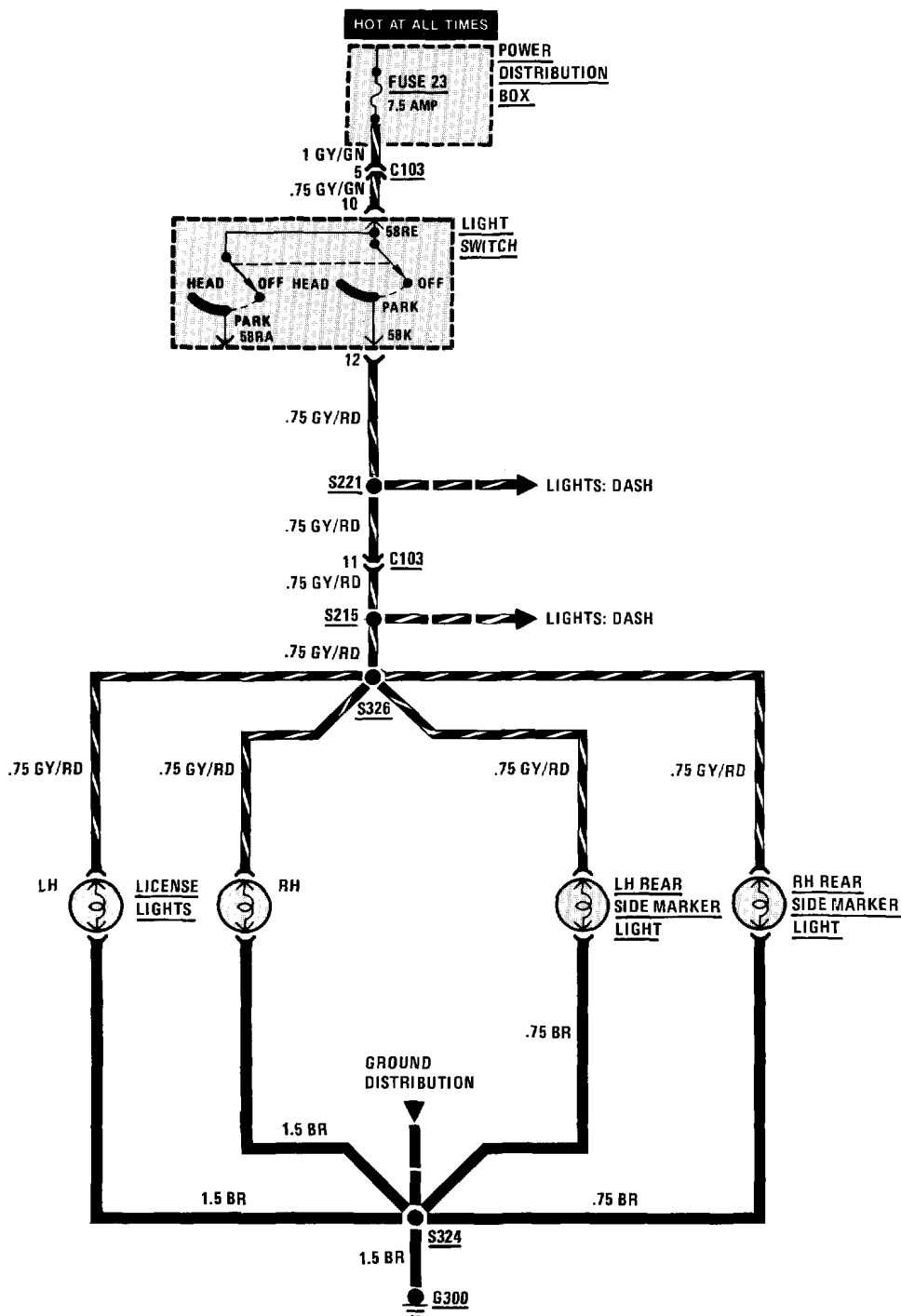
(For Component Locations See Page 210)



LIGHTS: REAR MARKER/LICENSE

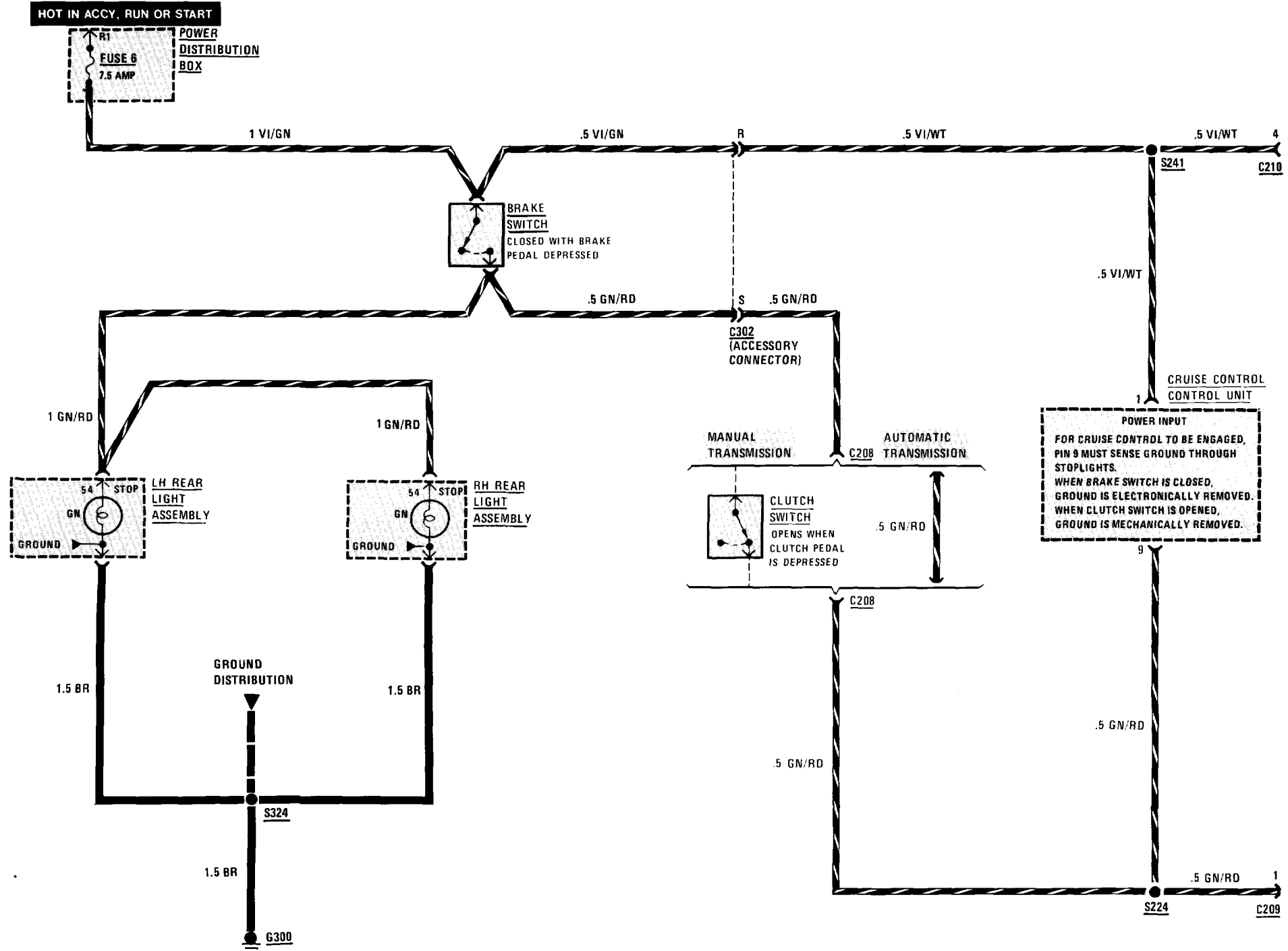
TRUNK LIGHT

(For Component Locations See Page 210)

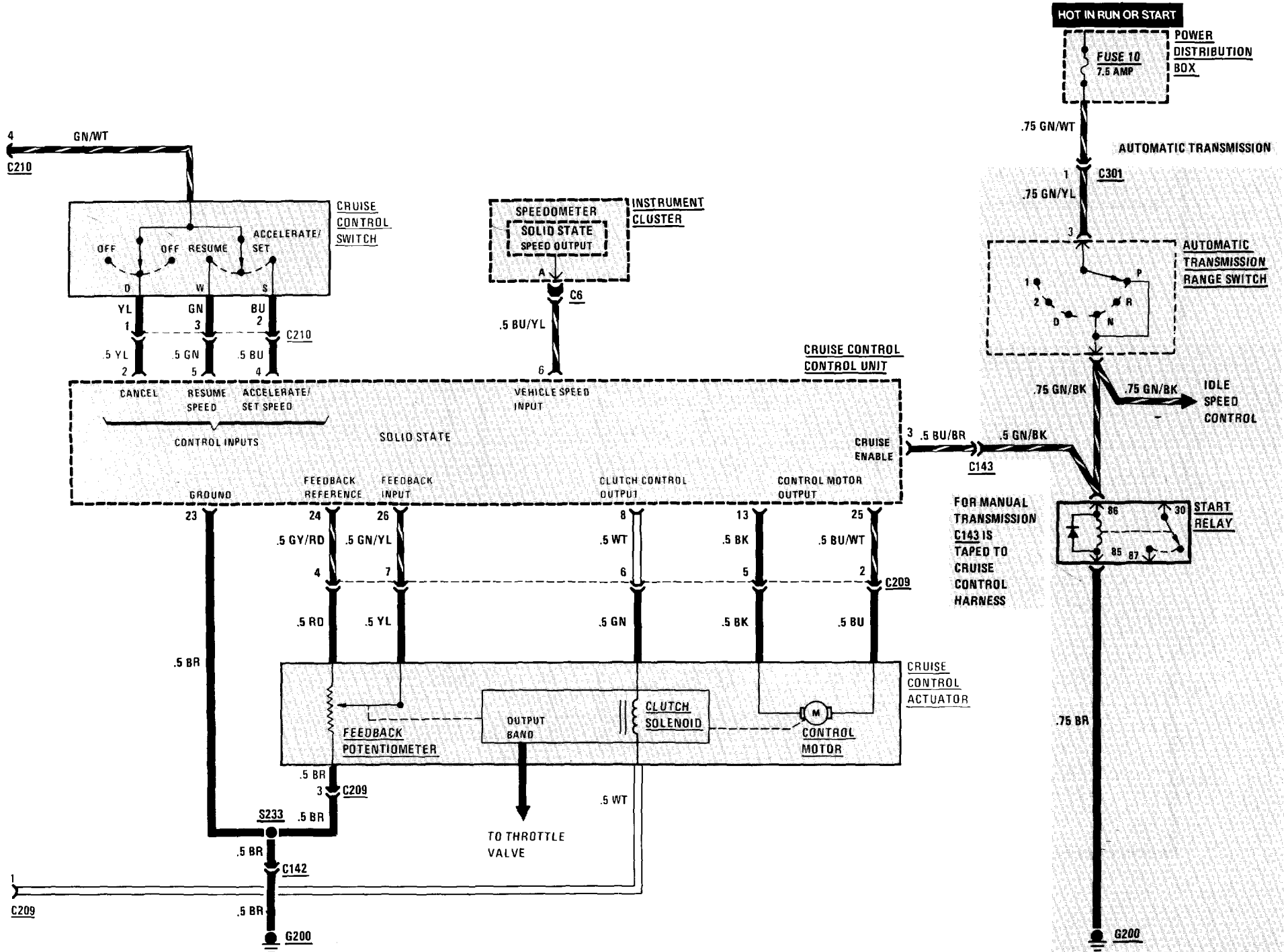


128 STOPLIGHTS/CRUISE CONTROL

(For Component Locations See Page 203)

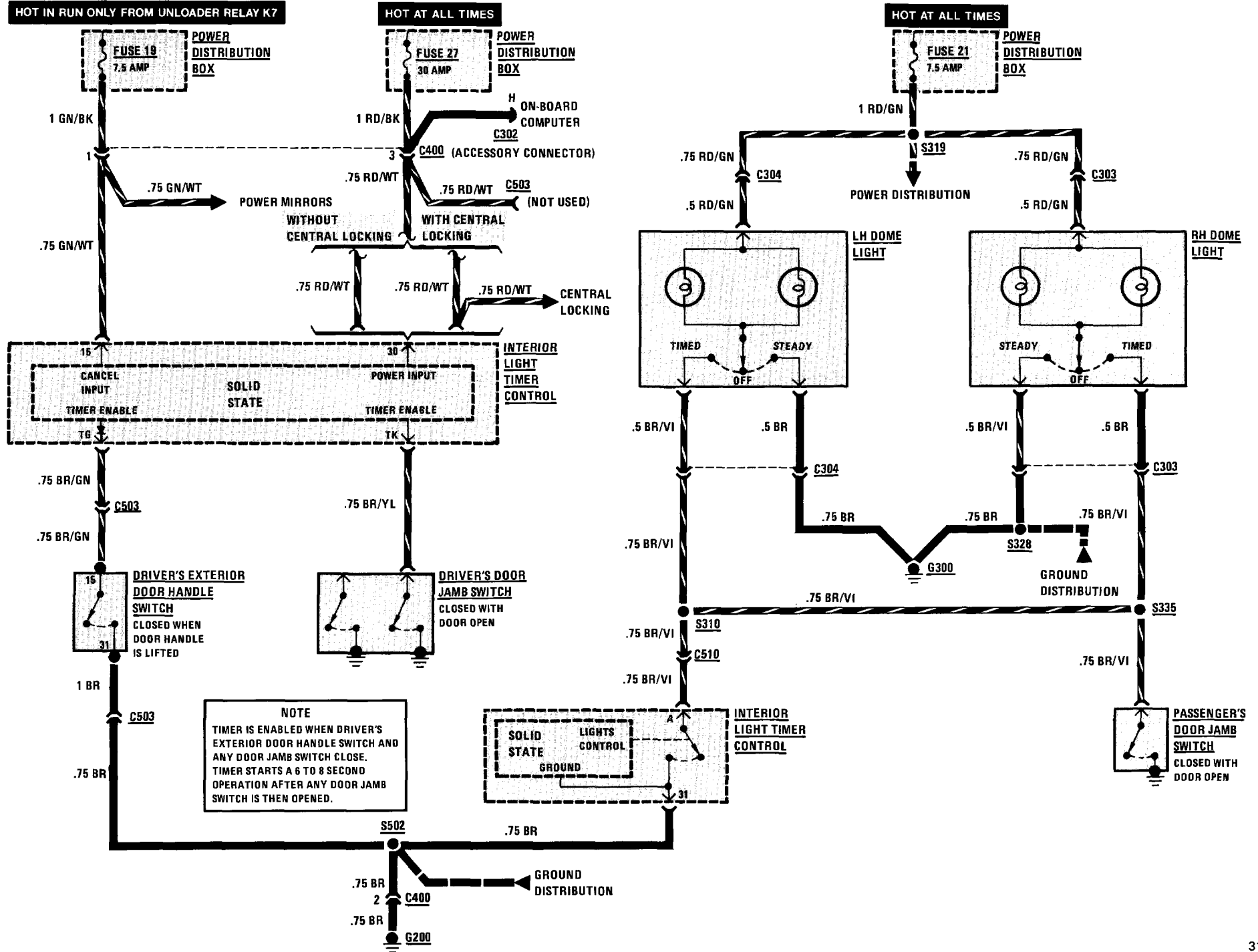


(For Component Locations See Page 203)

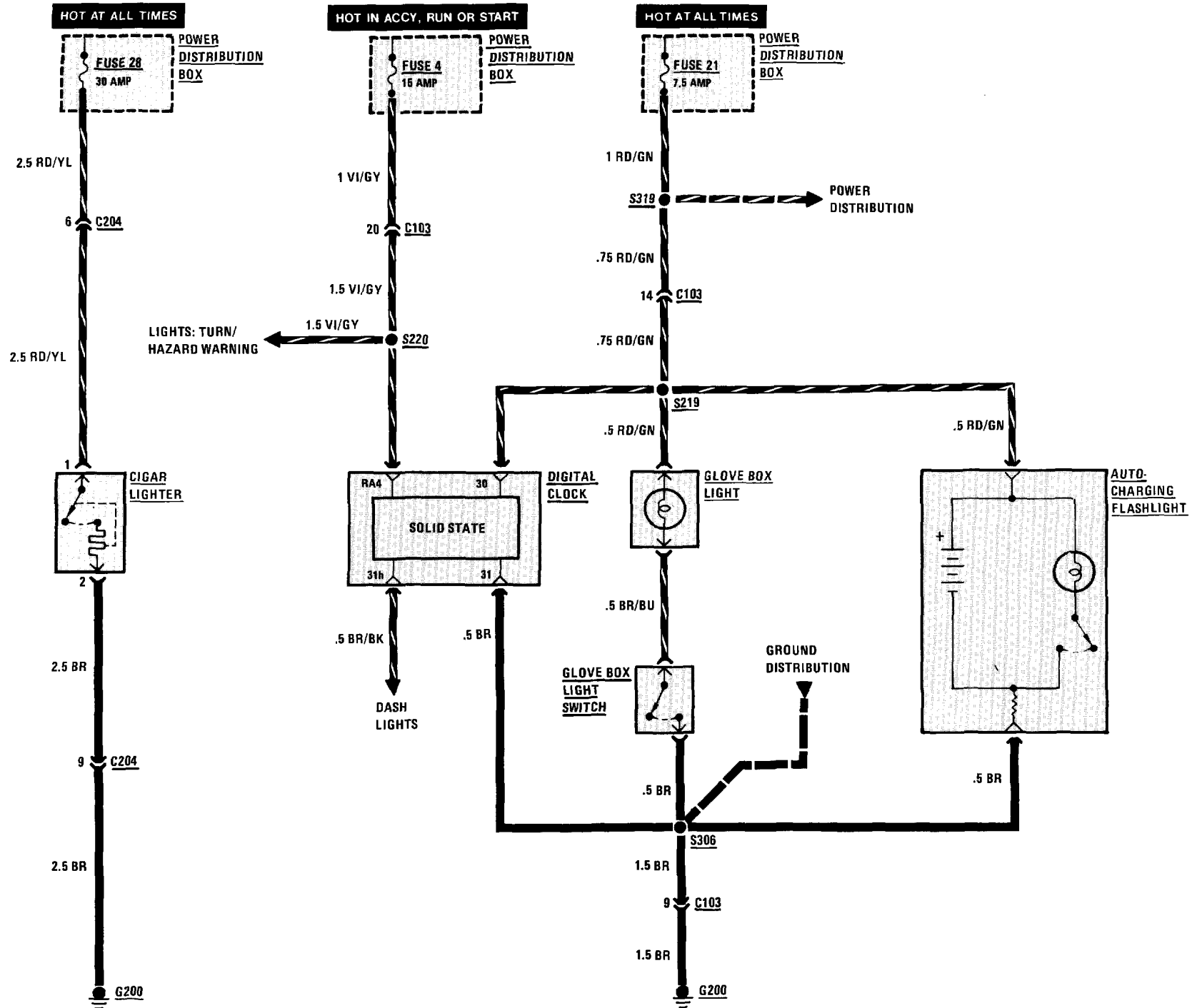


130 INTERIOR LIGHTS

(For Component Locations See Page 210)

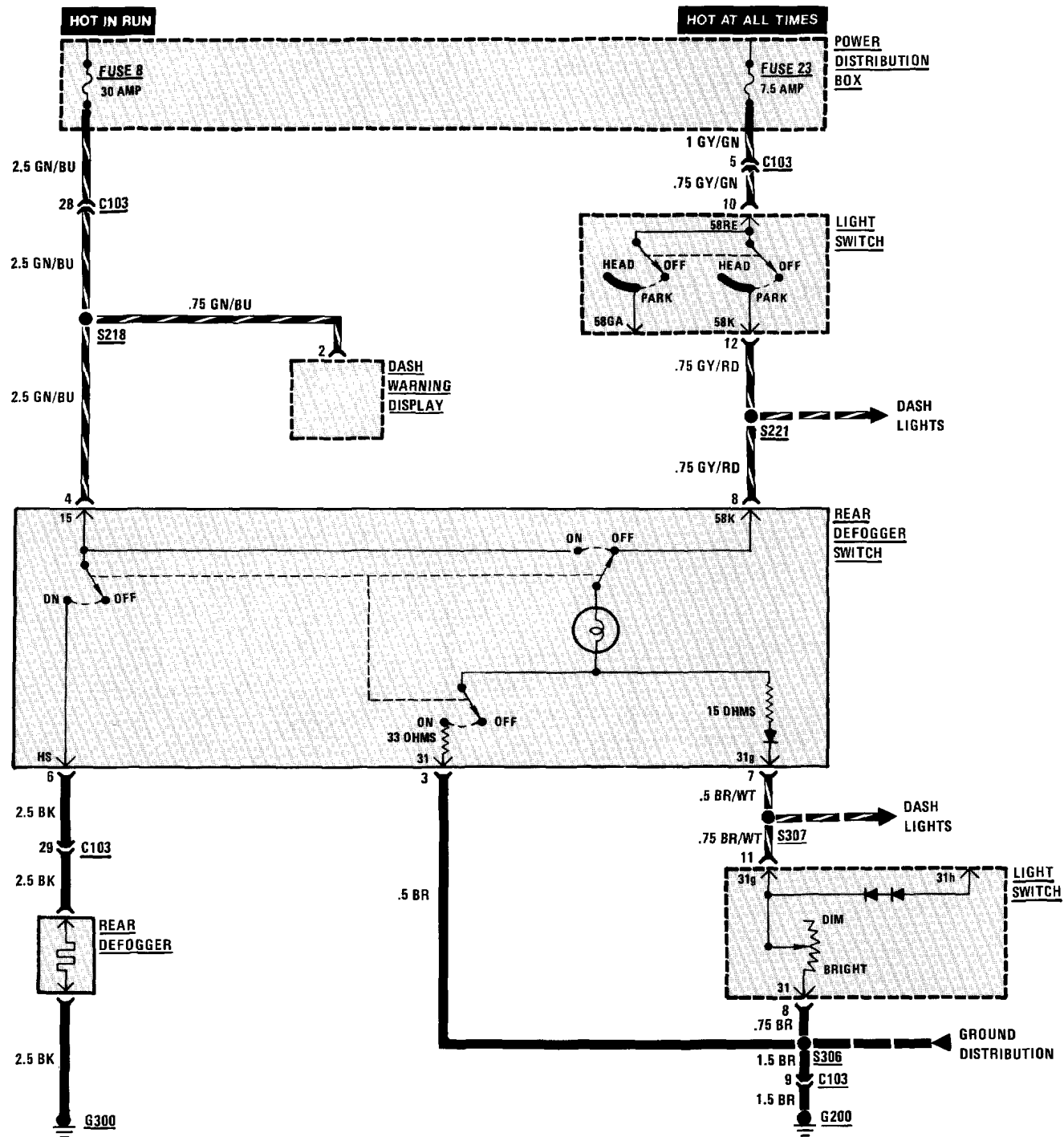


(For Component Locations See Page 203)

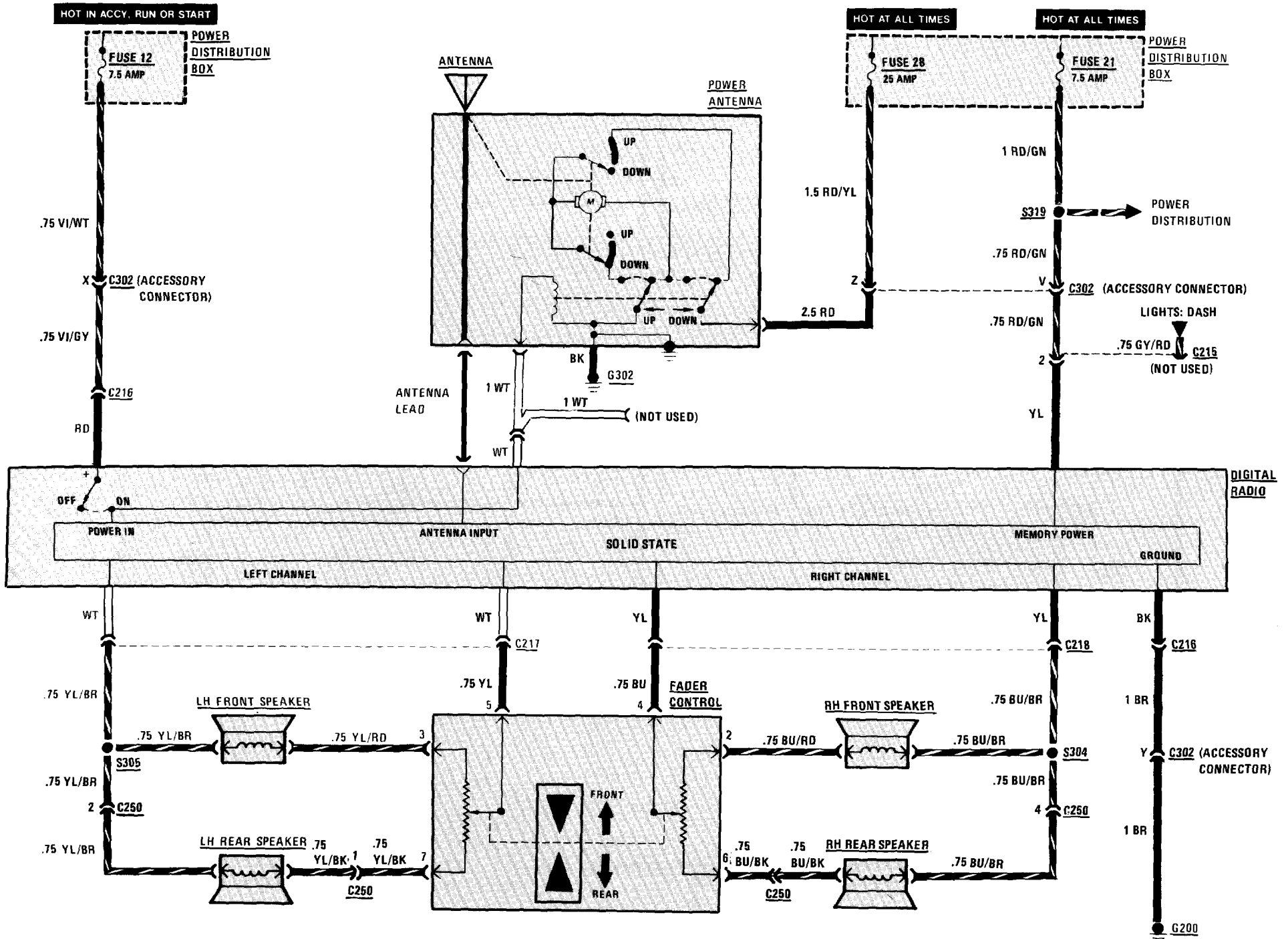


132 REAR DEFOGGER

(For Component Locations See Page 213)



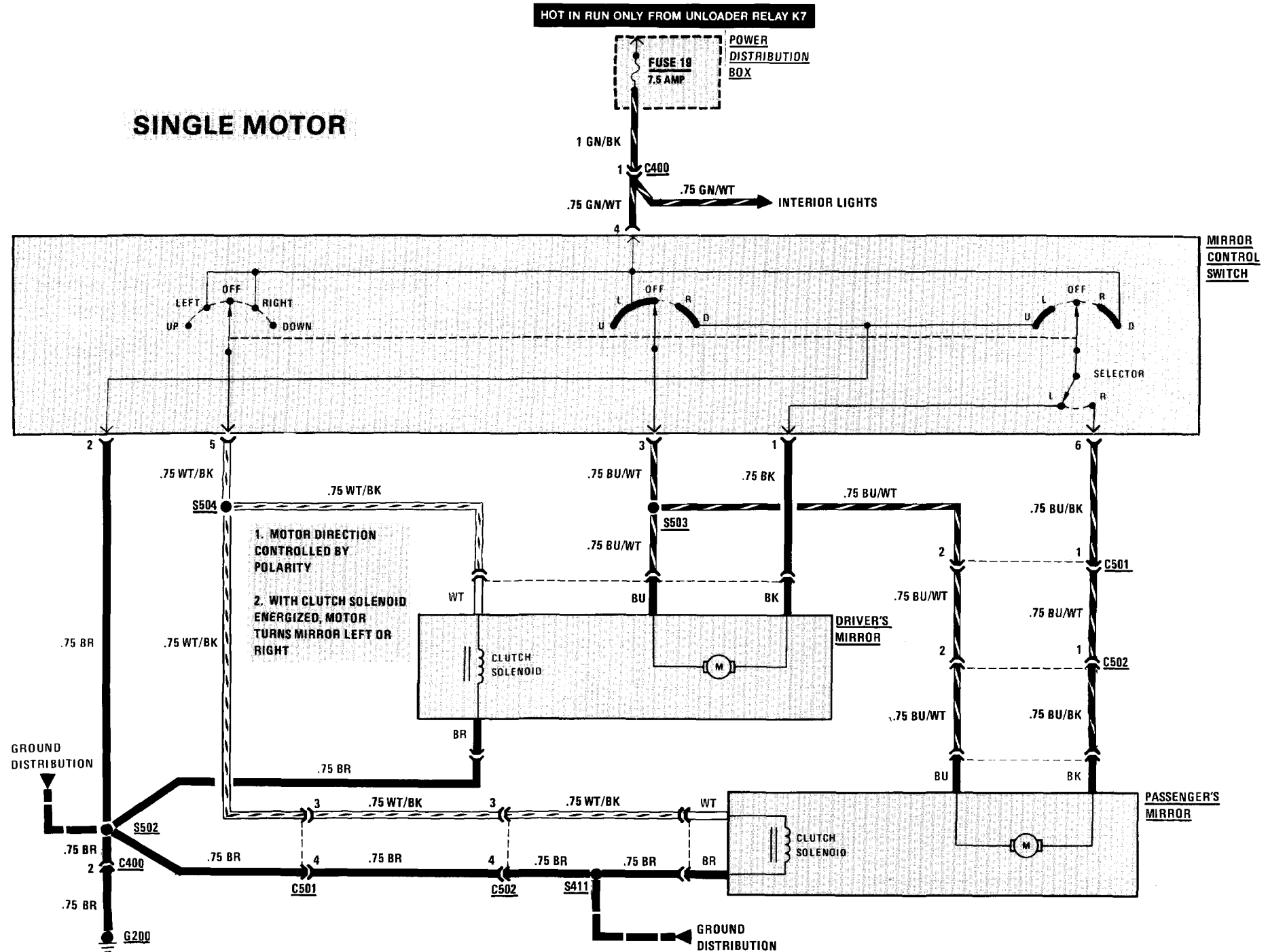
(For Component Locations See Page 213)



134 POWER MIRRORS

(For Component Locations See Page 212)

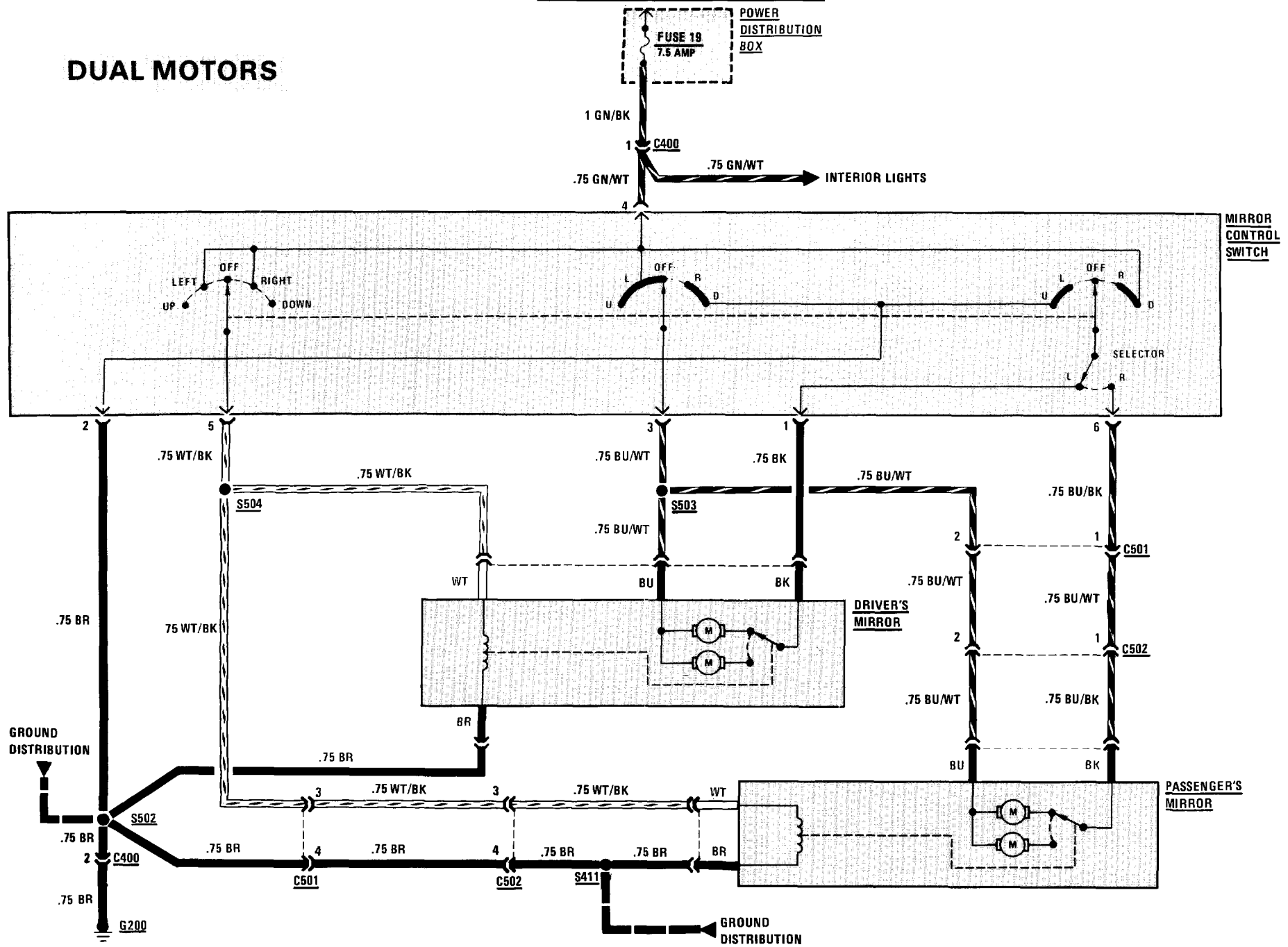
SINGLE MOTOR



(For Component Locations See Page 212)

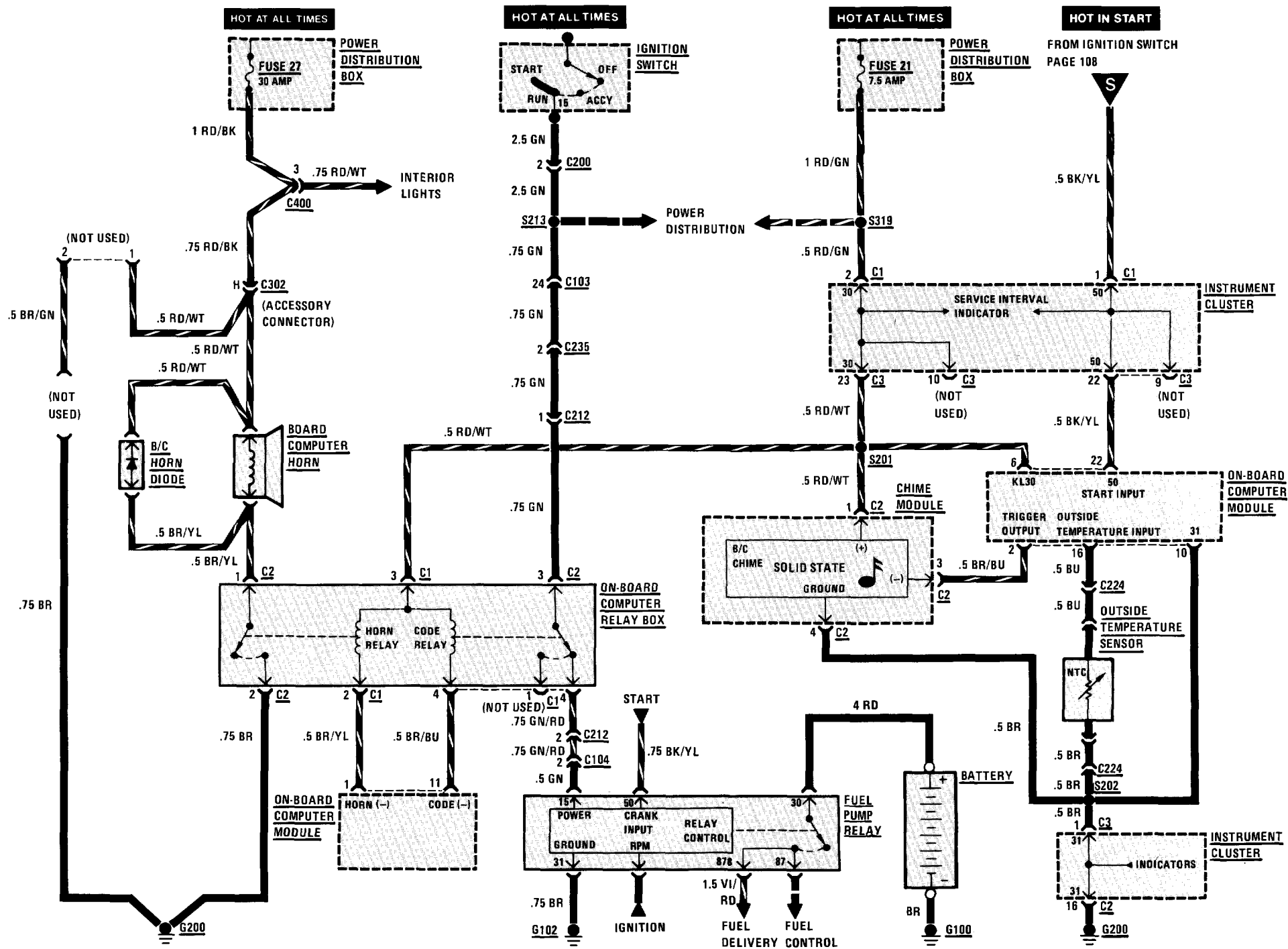
DUAL MOTORS

HOT IN RUN ONLY FROM UNLOADER RELAY K7

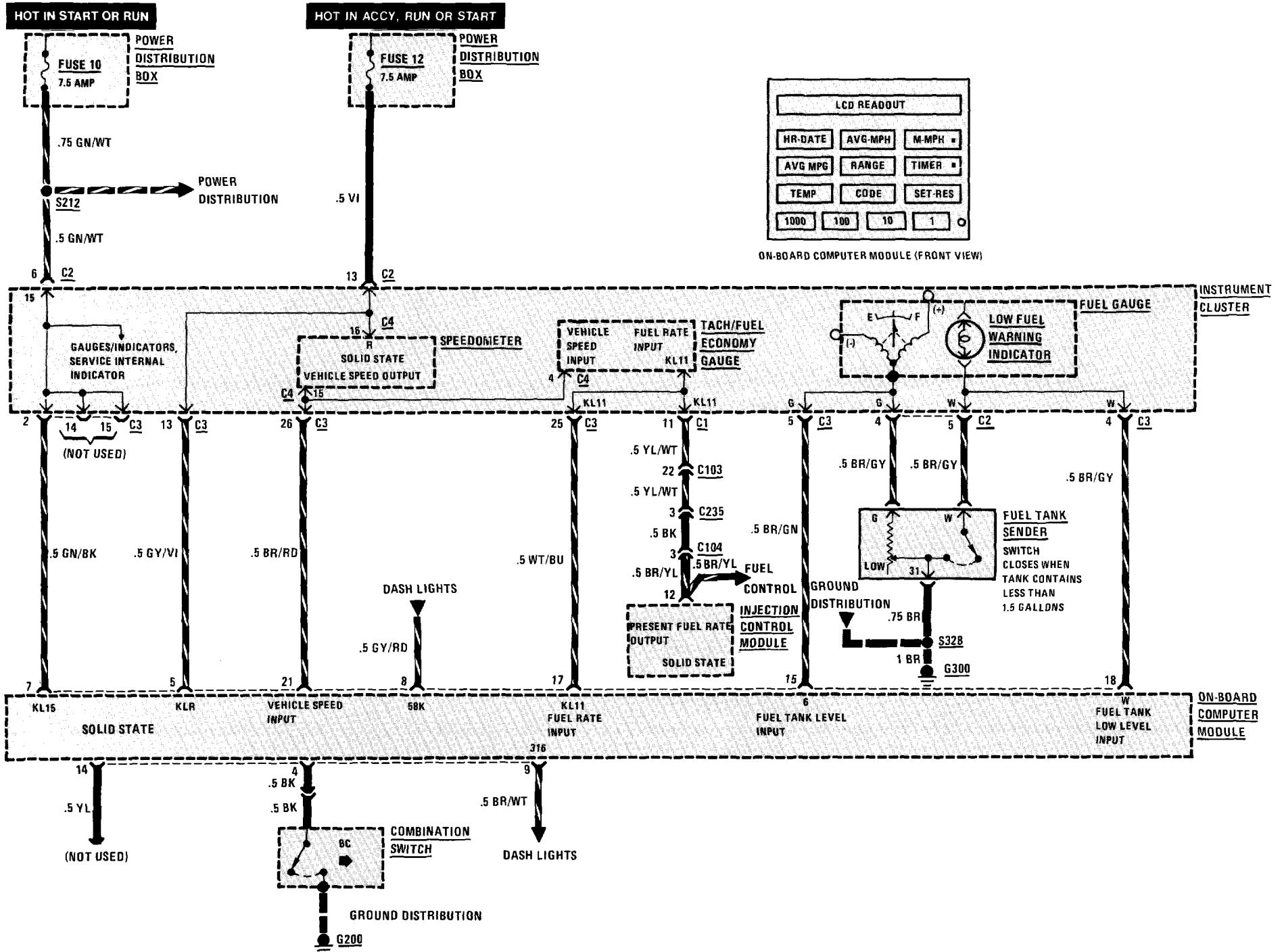


136 ON-BOARD COMPUTER

(For Component Locations See Page 211)

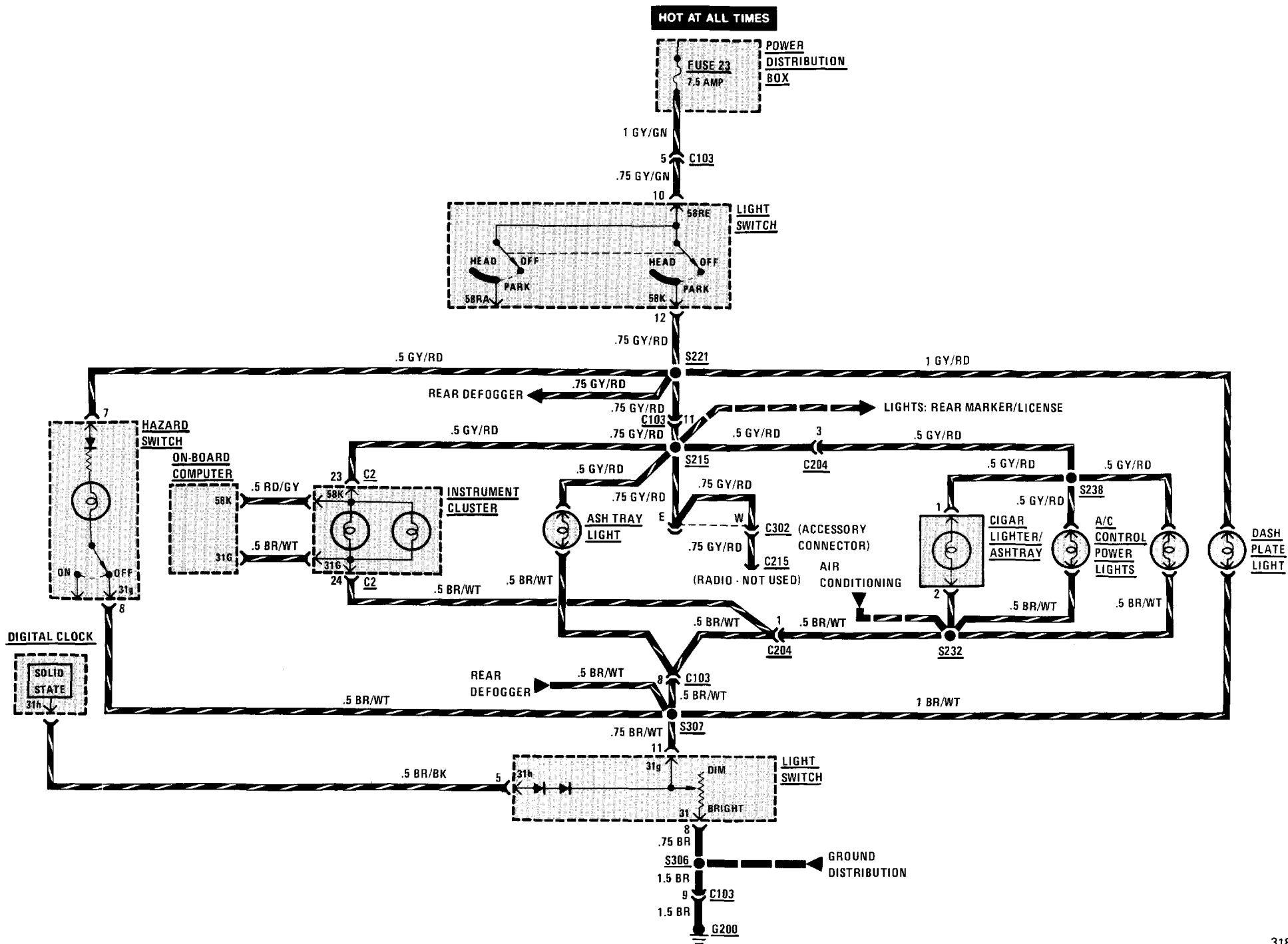


(For Component Locations See Page 211)

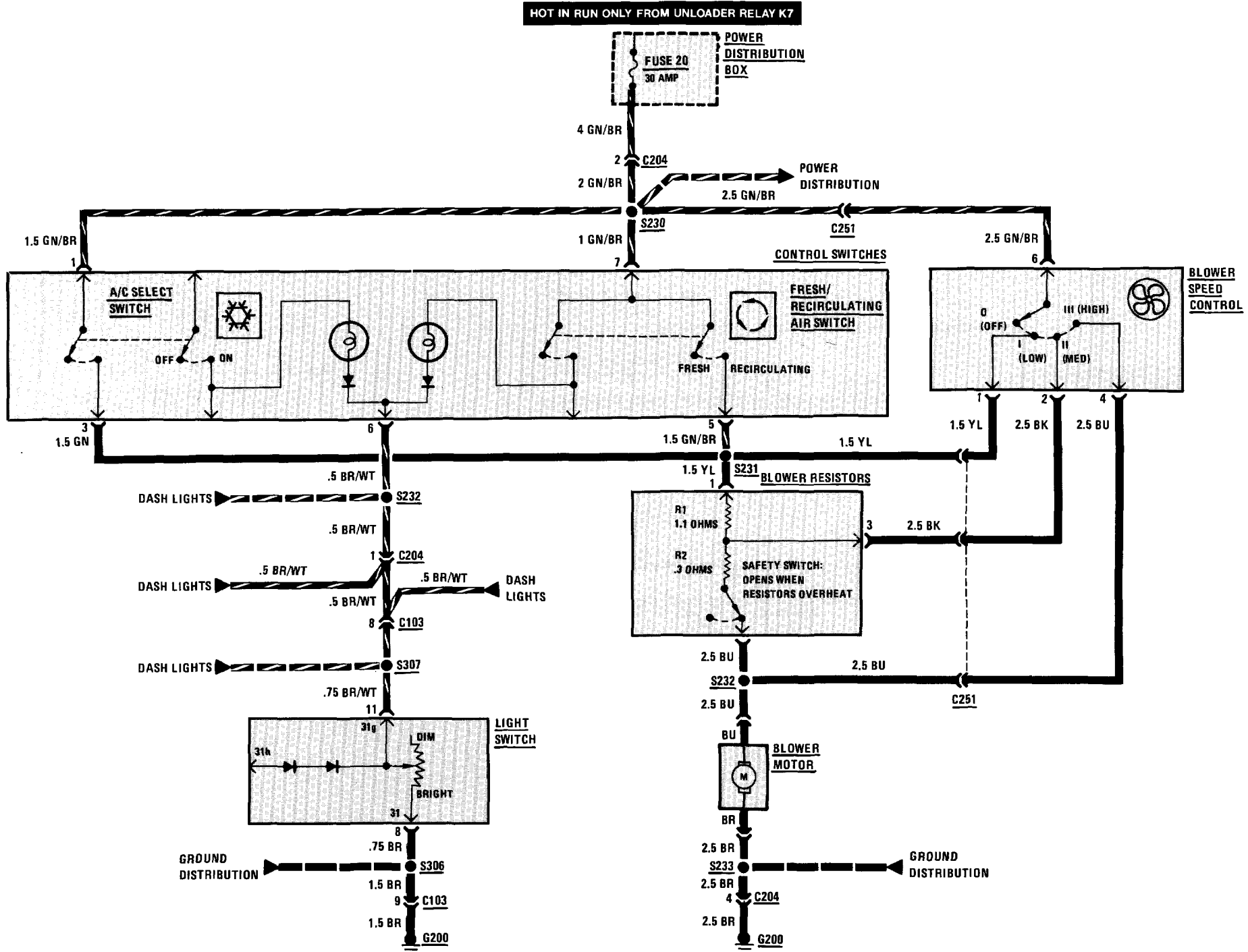


138 DASH LIGHTS

(For Component Locations See Page 203)

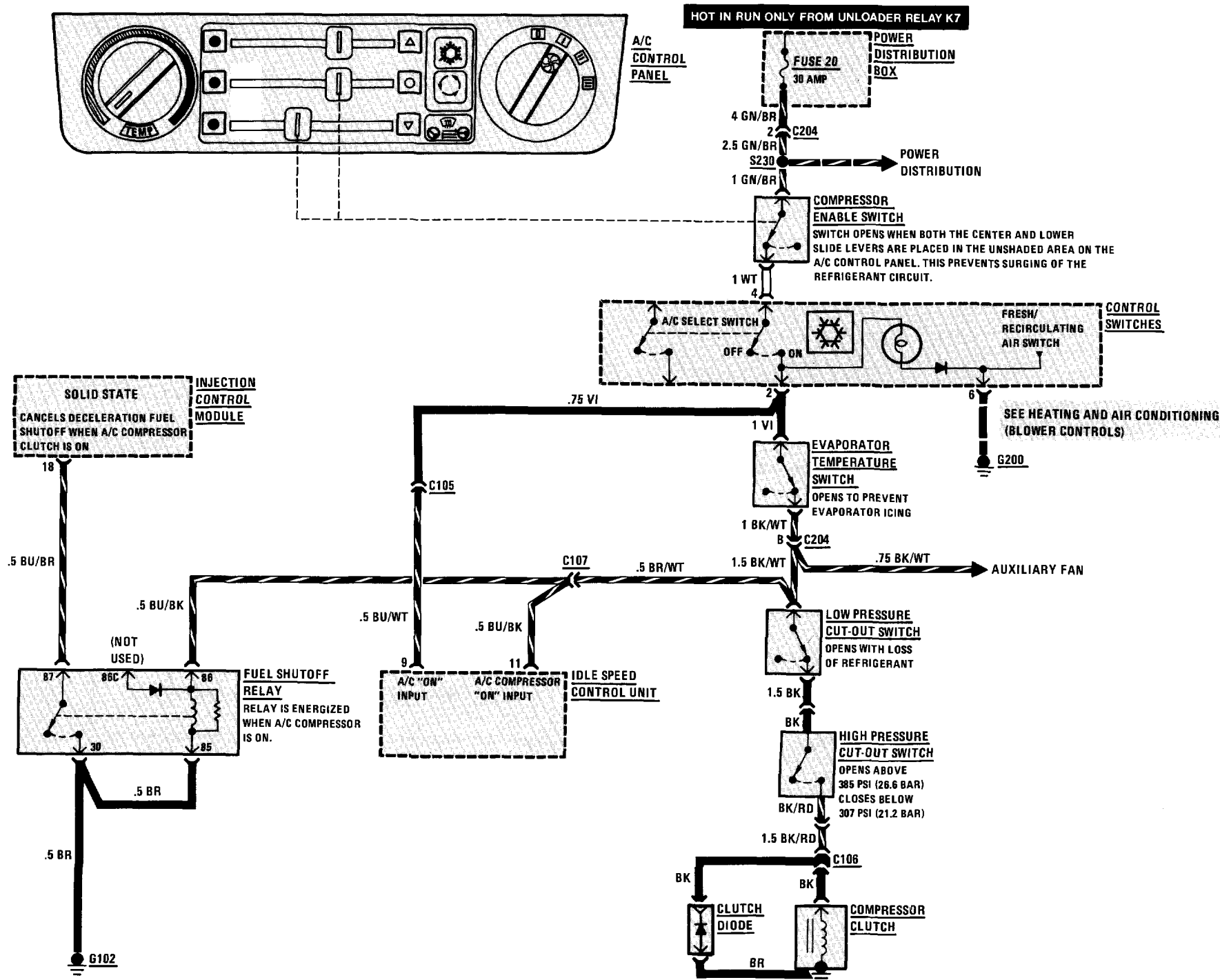


(For Component Locations See Page 209)

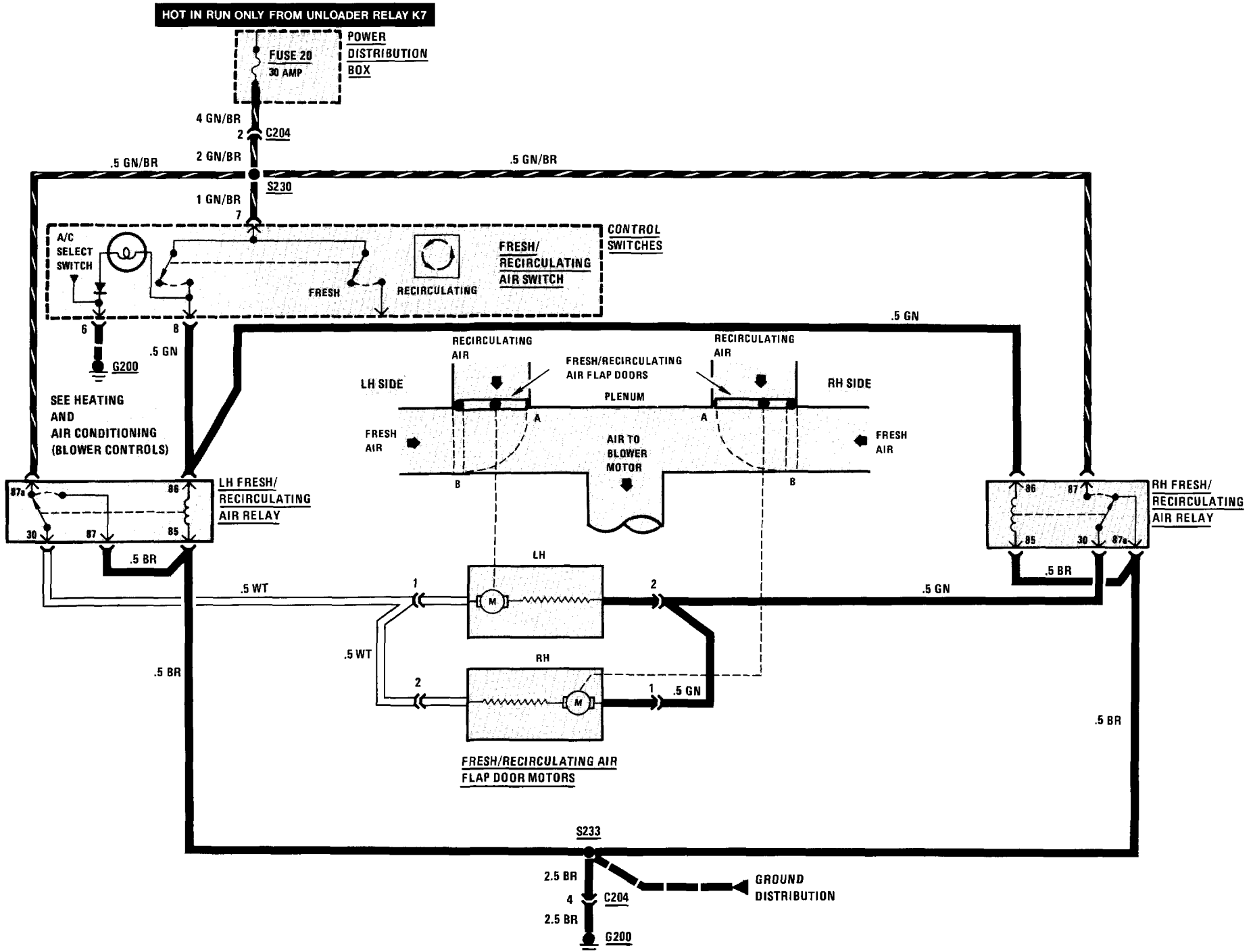


140 HEATING AND AIR CONDITIONING (COMPRESSOR CONTROLS)

(For Component Locations See Page 209)

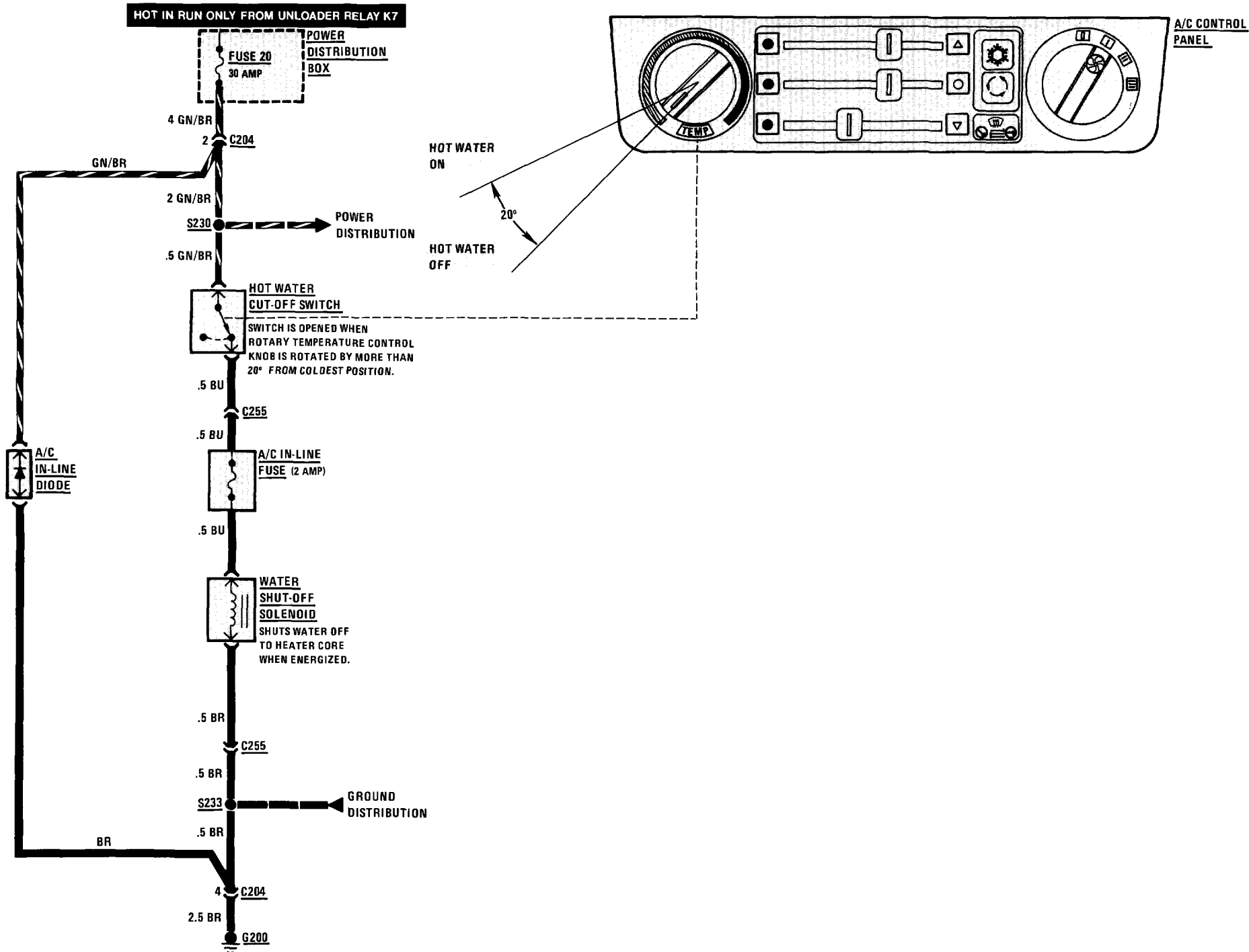


(For Component Locations See Page 209)



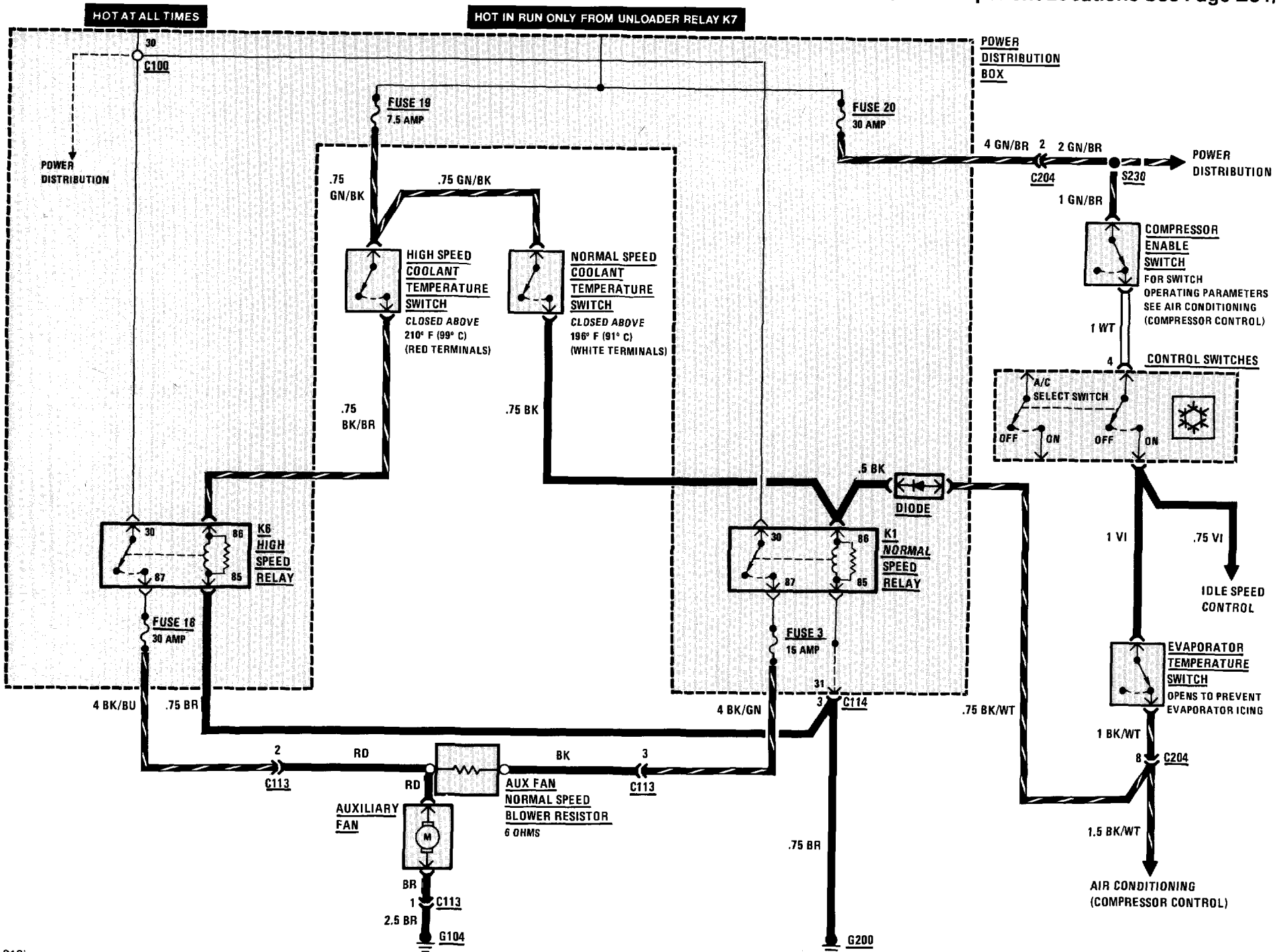
142 HEATING AND AIR CONDITIONING (HOT WATER CONTROL)

(For Component Locations See Page 209)



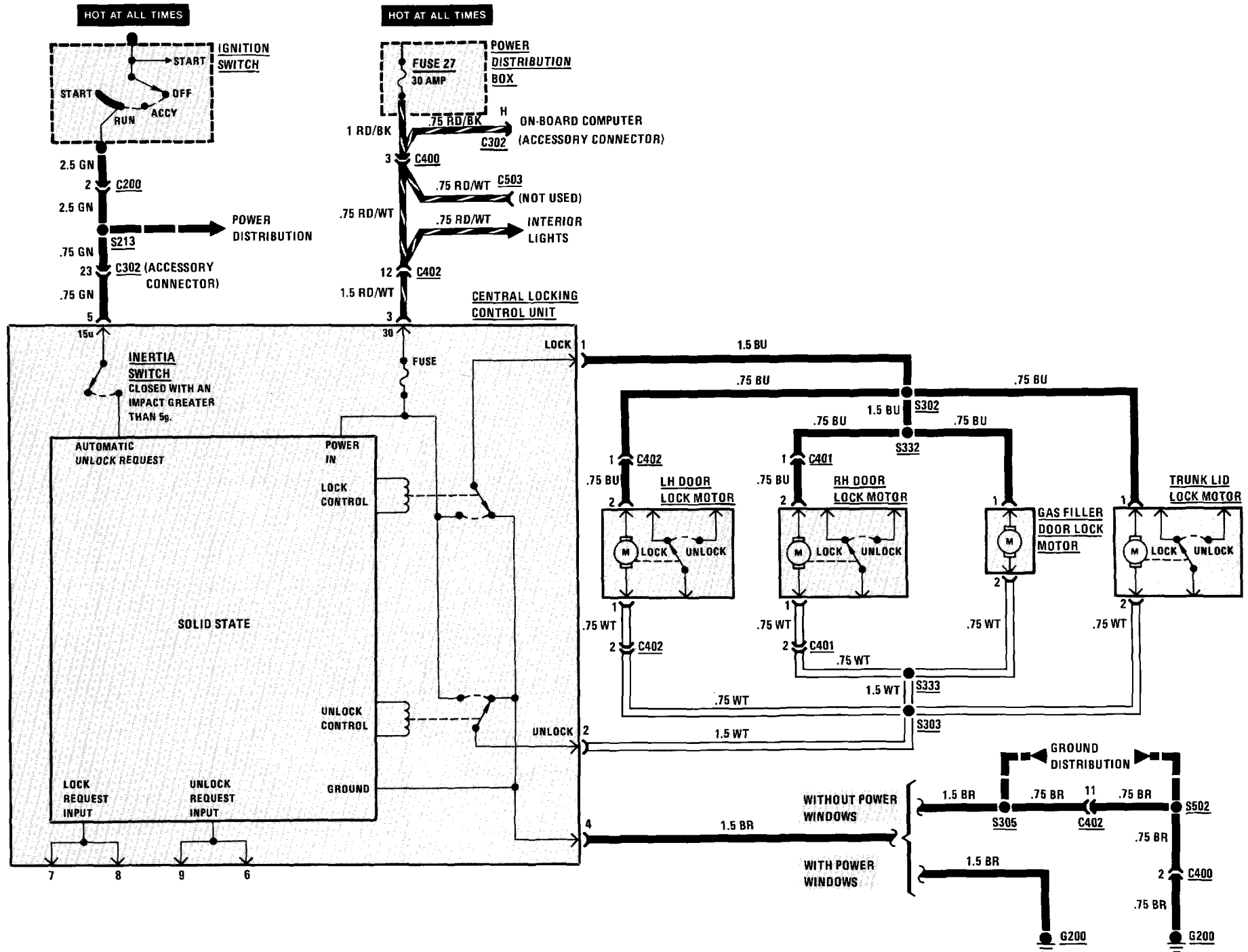
AUXILIARY FAN 143

(For Component Locations See Page 201)



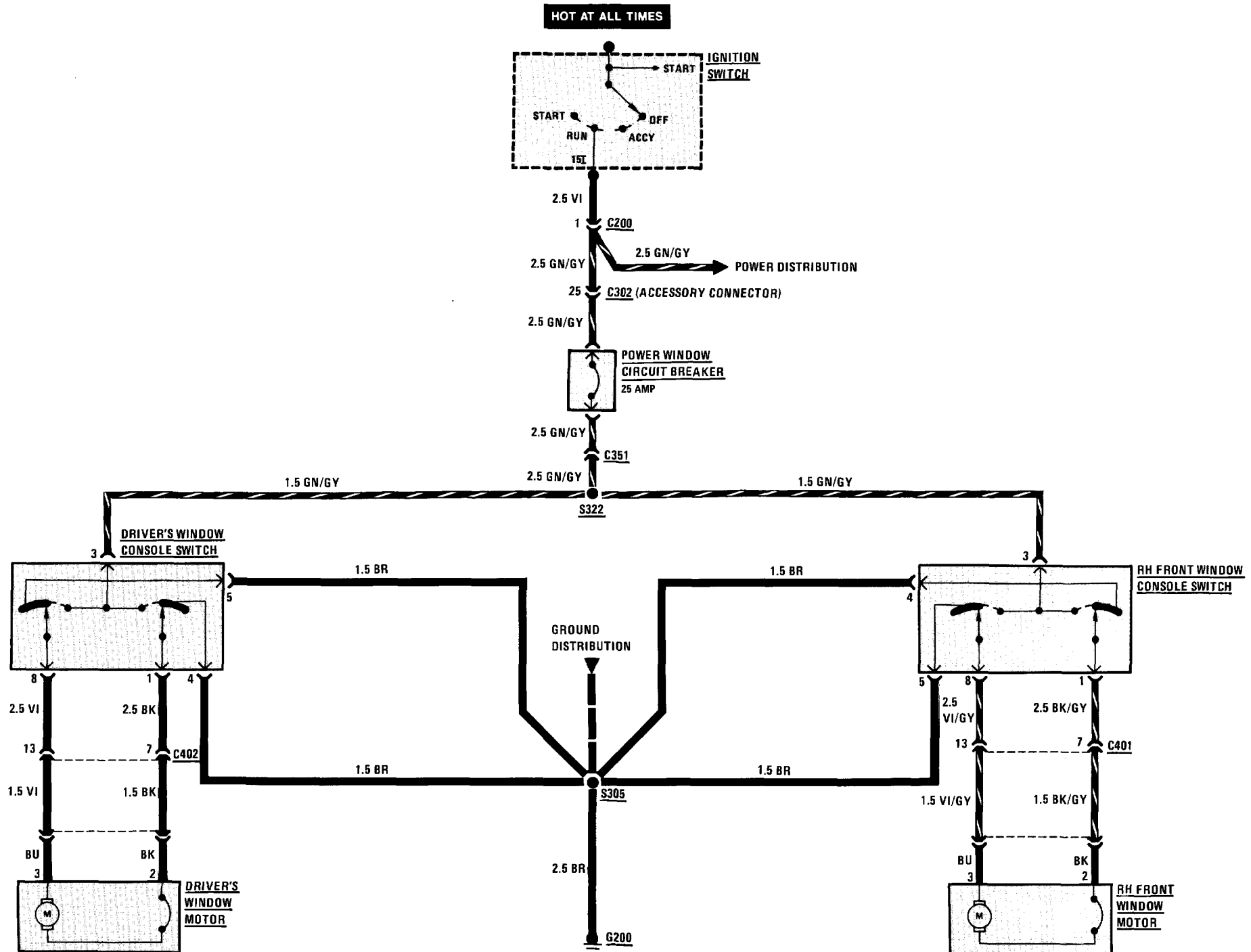
144 CENTRAL LOCKING (CONTROL)

(For Component Locations See Page 202)



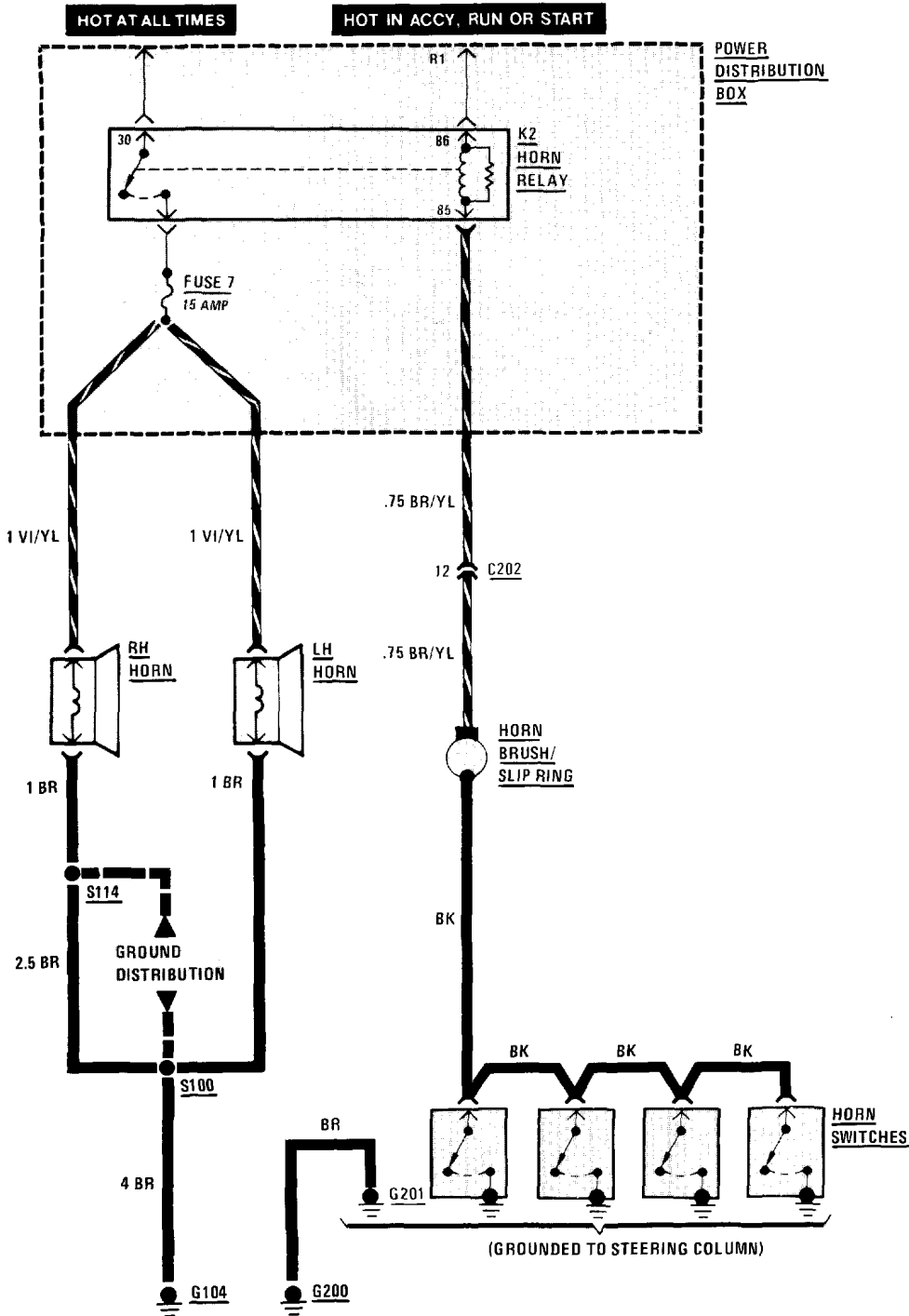
146 POWER WINDOWS

(For Component Locations See Page 212)



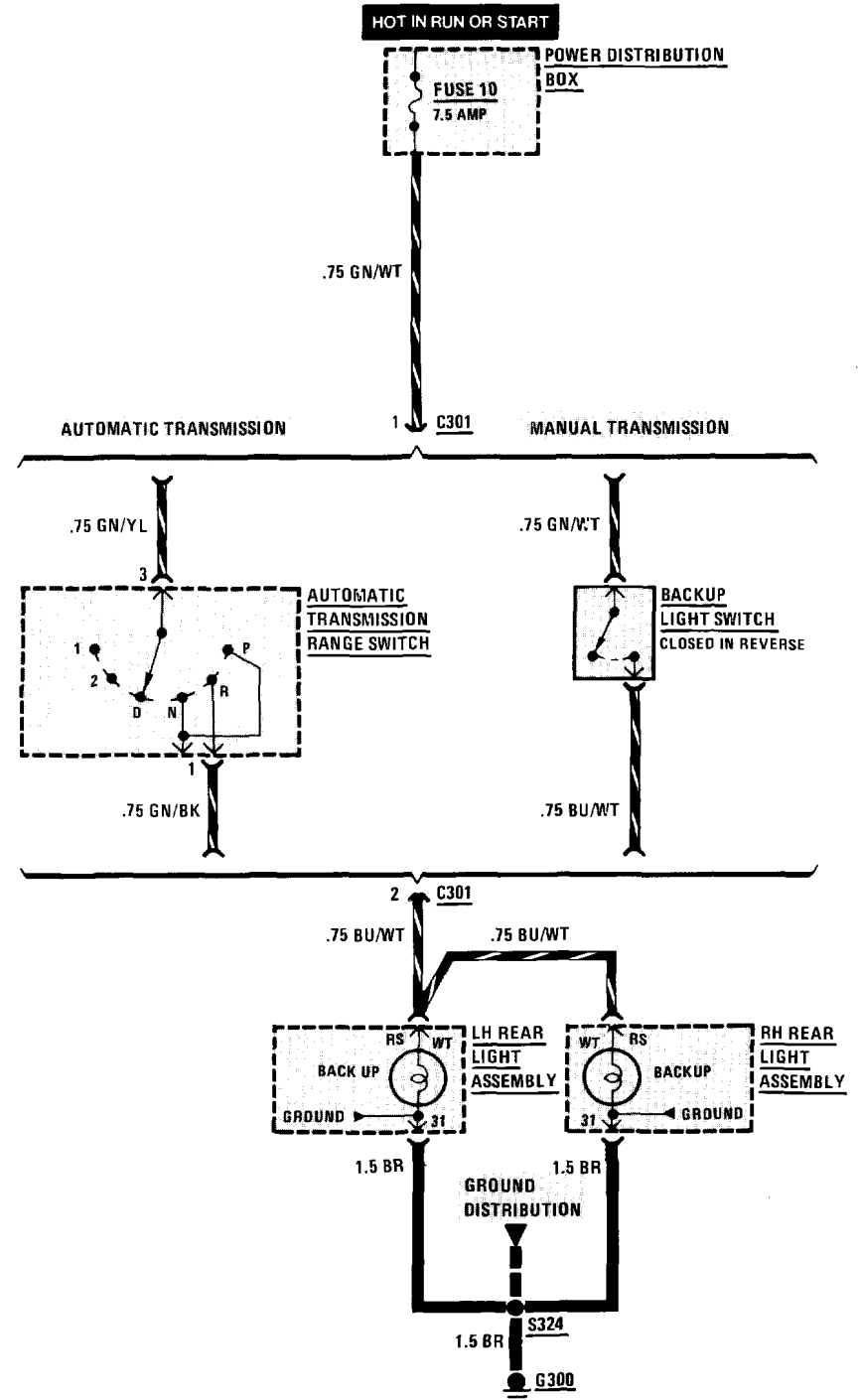
HORNS

(For Component Locations See Page 202)



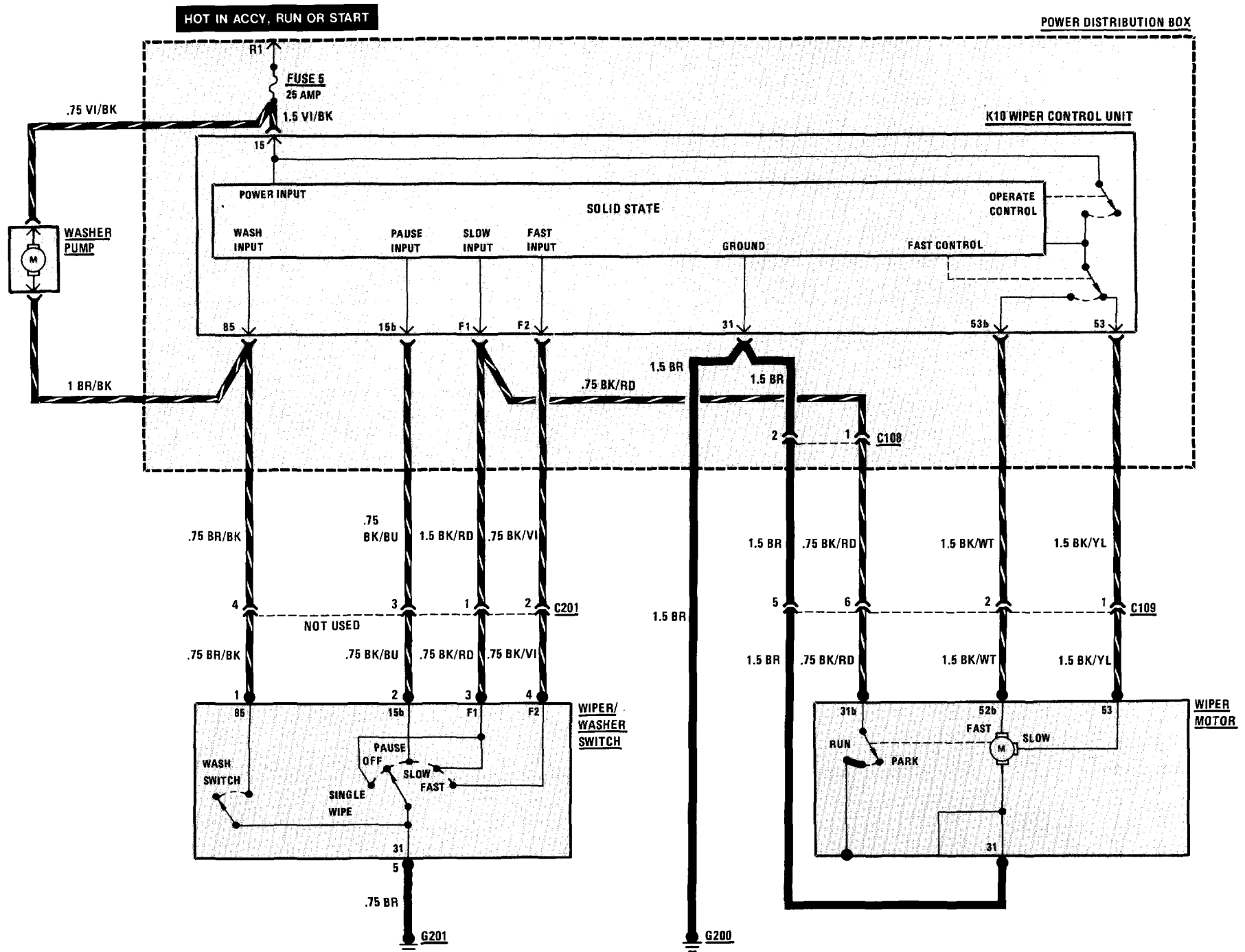
BACK UP LIGHTS 147

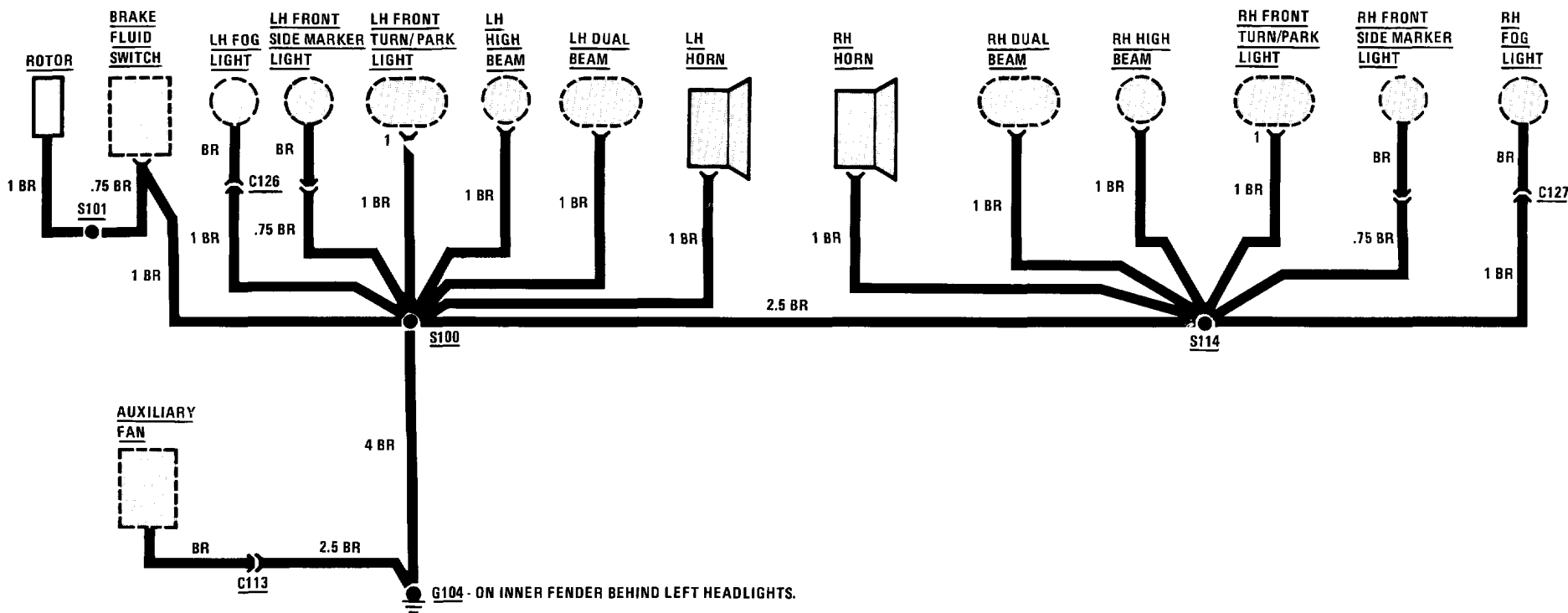
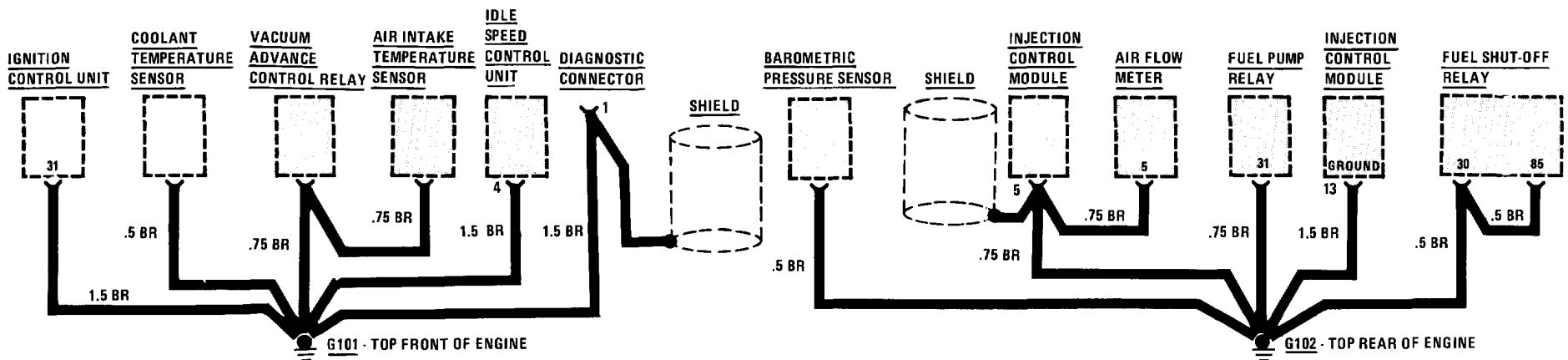
(For Component Locations See Page 202)



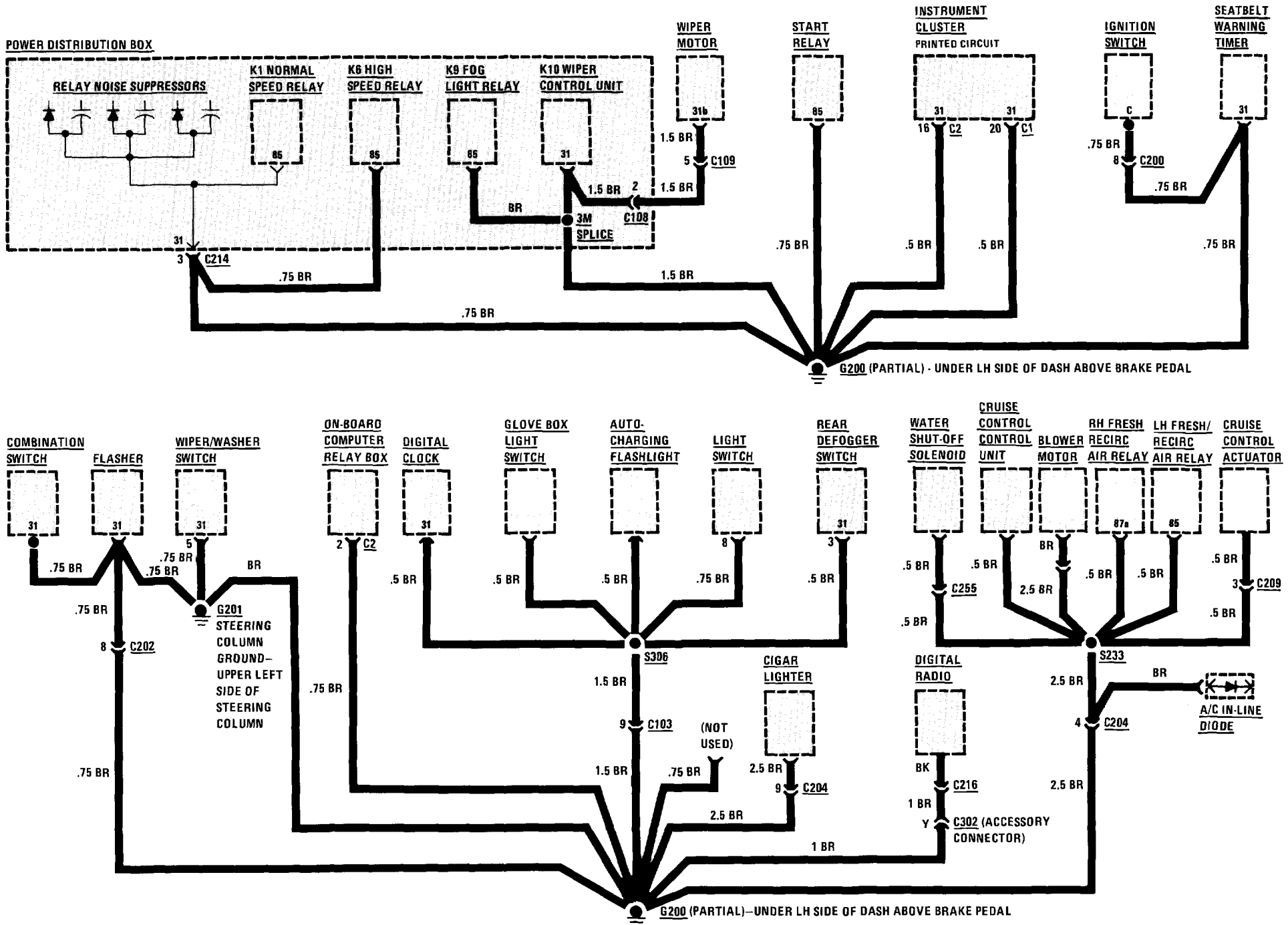
148 WIPER/WASHER

(For Component Locations See Page 215)

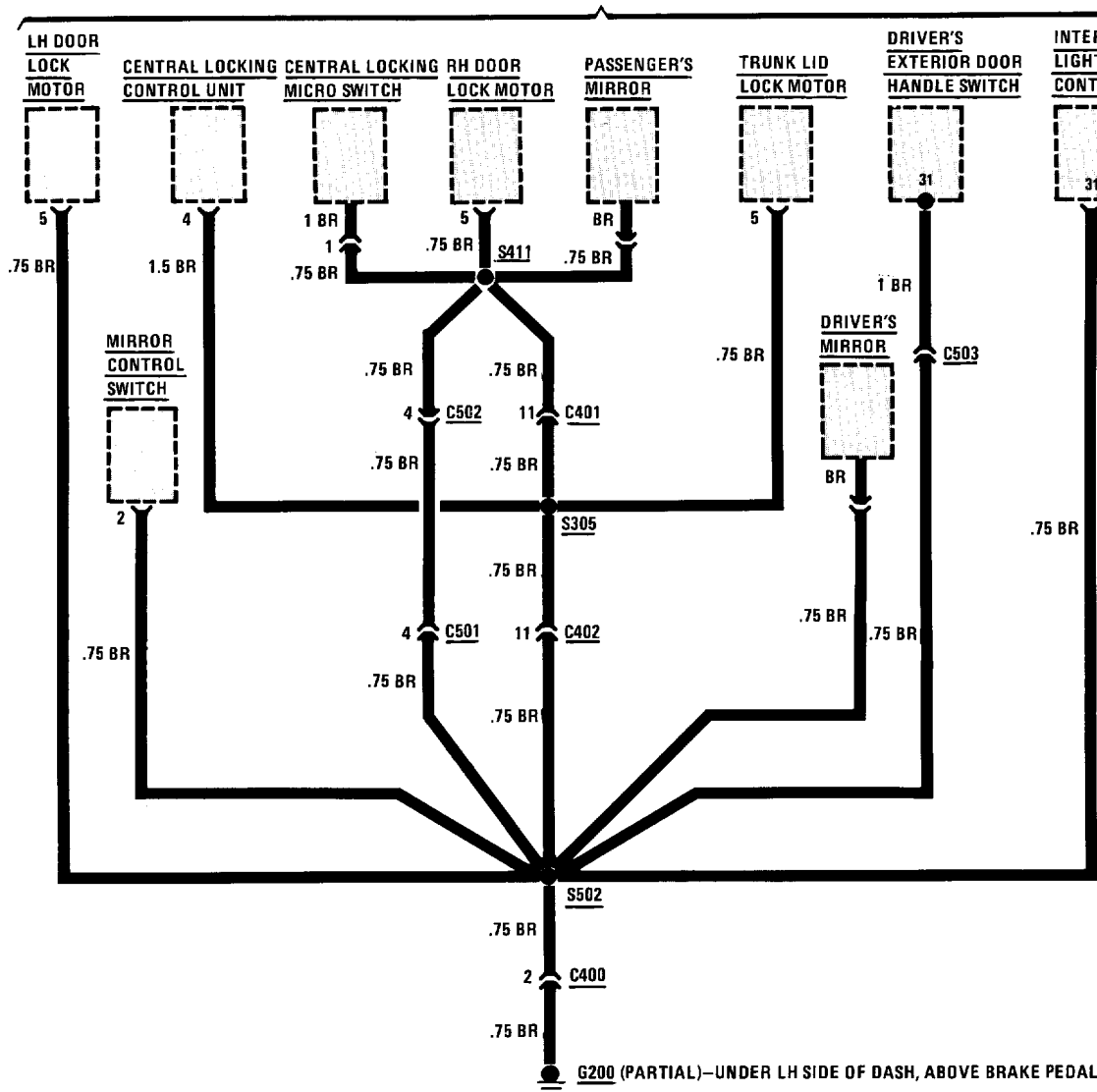




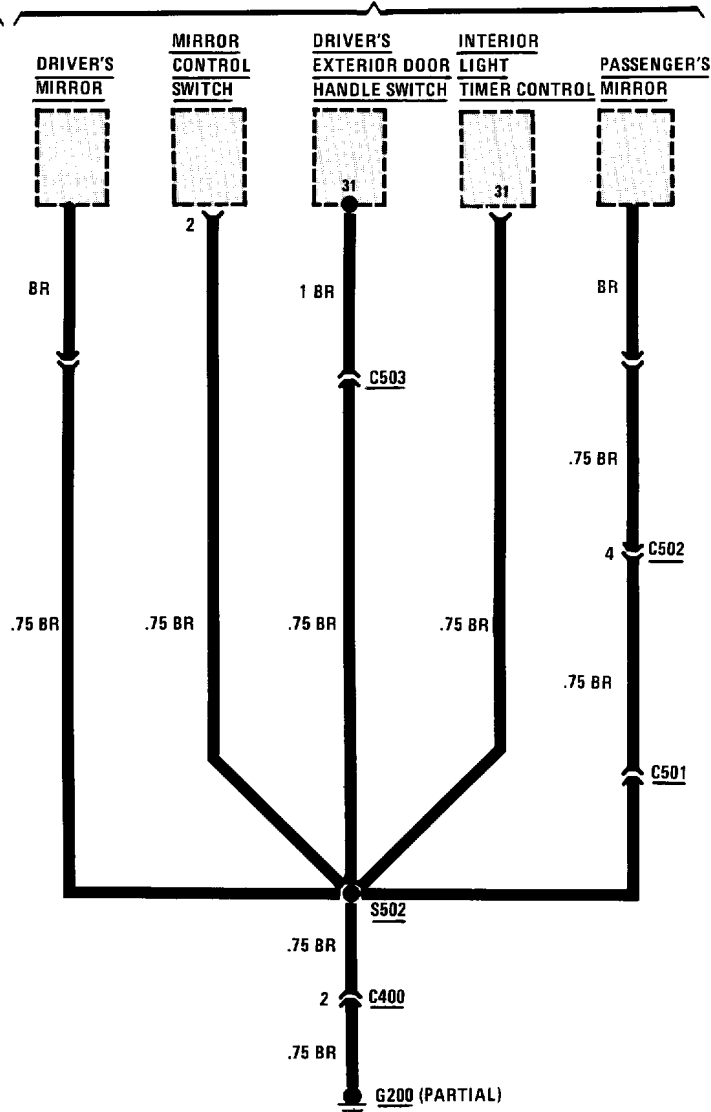
150 GROUND DISTRIBUTION (G200 PARTIAL AND G201)



CENTRAL LOCKING WITHOUT POWER WINDOWS

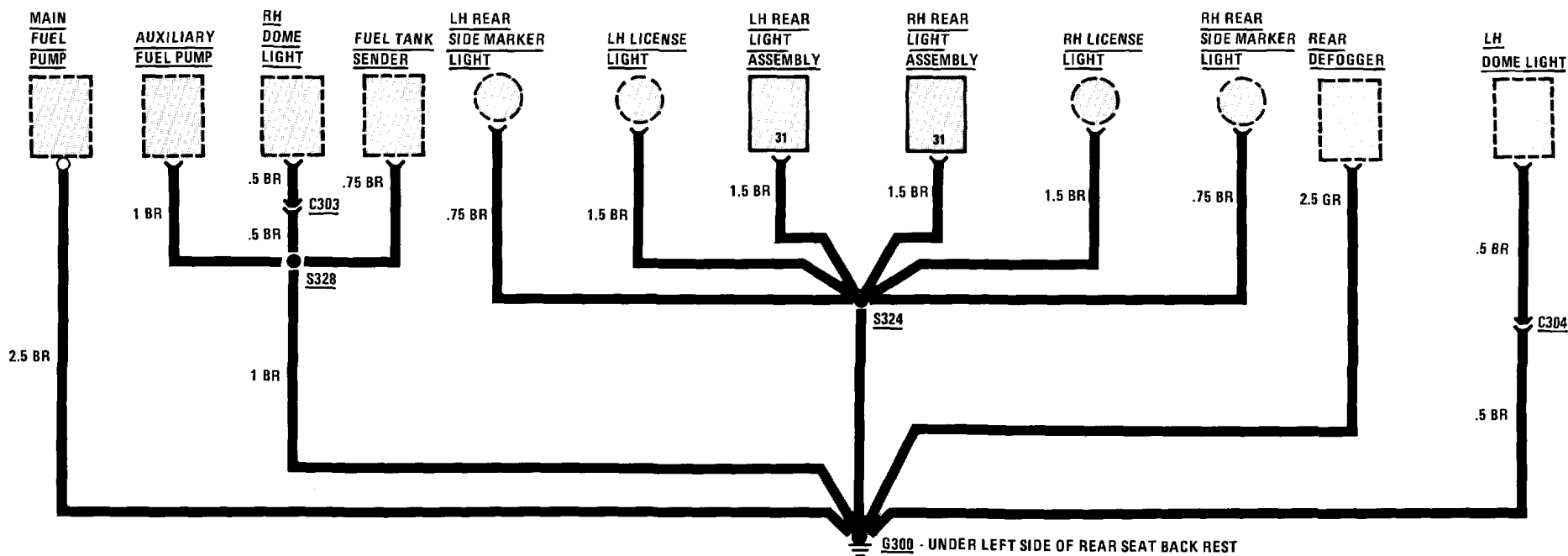
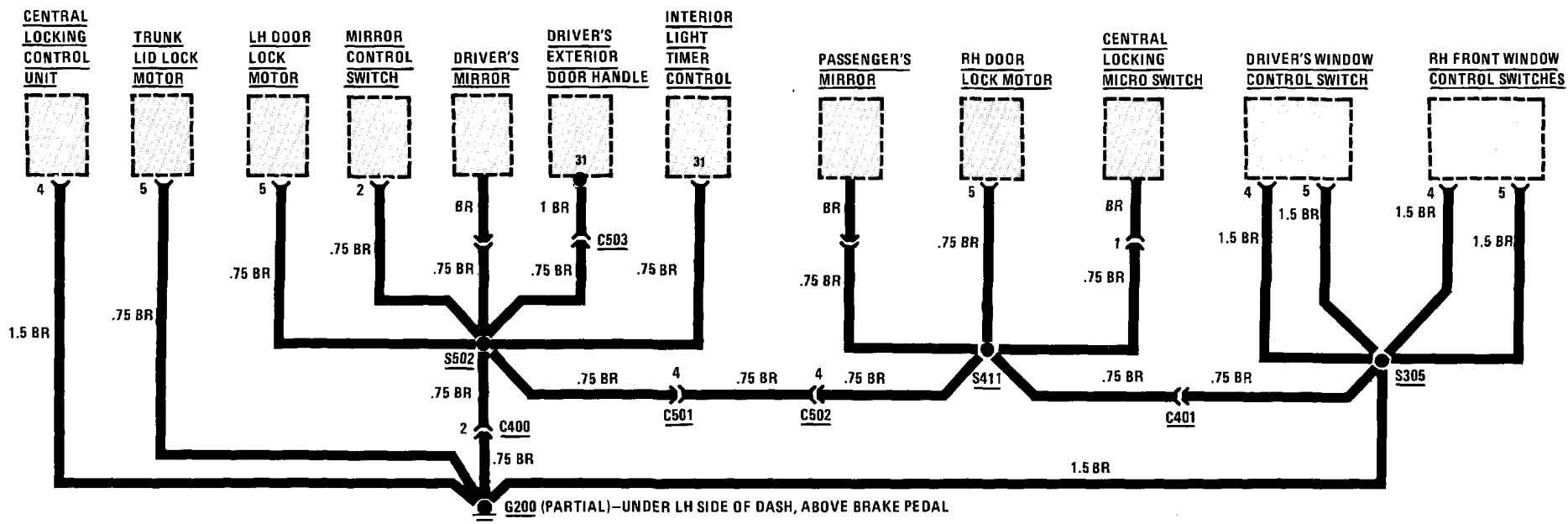


POWER MIRRORS AND INTERIOR LIGHTS WITHOUT CENTRAL LOCKING OR POWER WINDOWS



152 GROUND DISTRIBUTION (G300 AND G200 PARTIAL)

WITH CENTRAL LOCKING AND POWER WINDOWS



CIRCUITS USING C302 (ACCESSORY CONNECTOR)

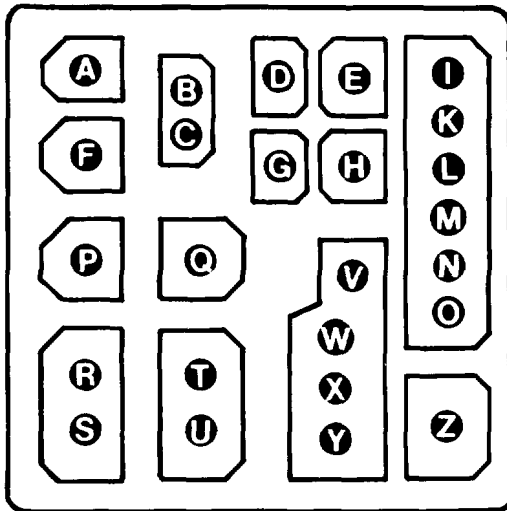


Figure 1-C302 (Accessory Connector)
Front View—Under LH Side
of Dash Ahead of Pedal Assembly

TERMINAL	CIRCUIT	TERMINAL	CIRCUIT
A	Power Windows	N	Not Used
B	Not Used	O	Not Used
C	Not Used	P	Not Used
D	Central Locking	Q	Not Used
E	Not Used	R	Cruise Control
F	Not Used	S	Cruise Control
G	Not Used	T	Not Used
H	On-Board Computer	U	Not Used
I	Not Used	V	Radio
J	Not Used	W	Not Used
K	Not Used	X	Radio
L	Not Used	Y	Radio
M	Not Used	Z	Power Antenna

ACTIVE CHECK CONTROL

Active Check Control Unit	Above rear view mirror	
Brake Switch	Above brake pedal	214-1
Coolant Level Switch	On RH front wheel well, in coolant reservoir	217-4
Low Beam Check Relay	In power distribution box	
Oil Level Sensor	Top LH side of oil pan	
Power Distribution Box	At top rear of left front wheel well	201-1
Rear Lights Check Relay	In trunk above left wheel well	
Seatbelt Warning Timer	Under LH side of dash on electrical bracket	218-3
Washer Fluid Level Switch	In reservoir, behind RH headlights	201-1
C101 (19 pins)	On power distribution box	201-1
C103 (29 pins)	Under LH side of dash on body electrical bracket	
G104	On inner fender behind LH headlights	211-1
G200	Under LH side of dash above brake pedal	210-2
G300	Behind LH side of rear seat	209-2

AUXILIARY FAN

Auxiliary Fan	In front of condensor	
Compressor Enable Switch	Behind A/C face plate	
Evaporator Temperature Switch	Left side of evaporator housing	
High Speed Temperature Switch (318i)	Bottom left rear of radiator	207-2
High Speed Temperature Switch (325e)	Top left side of radiator	216-6
Normal Speed Auxiliary Fan Blower Resistor	On lower portion of auxiliary fan shroud	218-2
Normal Speed Temperature Switch (318i)	Bottom left rear of radiator	207-2
Normal Speed Temperature Switch (325e)	Top left side of radiator	216-6
Power Distribution Box	At top rear of left front wheel well	201-1
C113 (3 pins)	Behind left headlights	211-1
C204 (9 pins)	Under left side of dash, on steering column	210-1
G104	On inner fender, behind left headlights	214-1
G200	Under left side of dash, above brake pedal	210-2

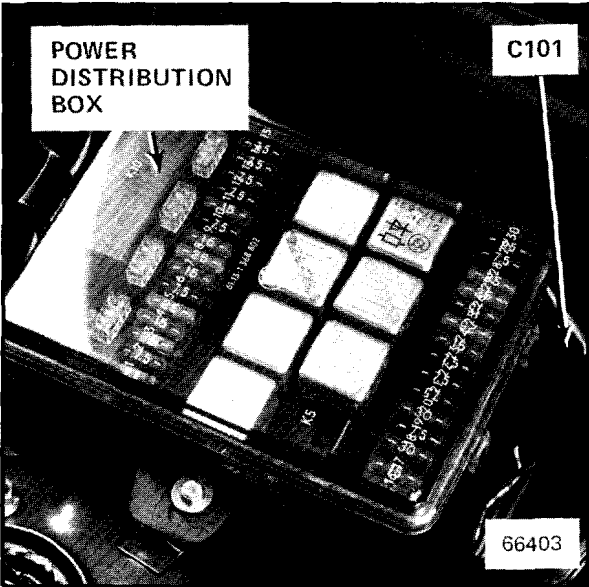


Figure 1 - Behind Left Front Shock Tower

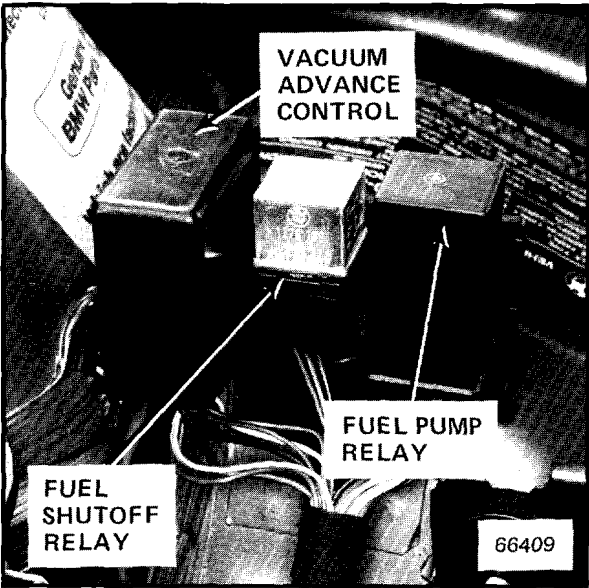


Figure 2 - Forward Of Left Front Shock Tower

202 COMPONENT LOCATIONS

BACK UP LIGHTS/HORNS

Automatic Trans. Range Switch	At base of shift lever	
Backup Light Switch	On transmission	
Horn/Brush Slip Ring	In upper steering column	
Power Distribution Box	At top rear of left front wheel well	201-1
C202 (9 pins)	Under LH side of dash, on steering column	210-1
C301 (2 pins)	At base of shift lever	
G104	On inner fender behind left headlights	211-1
G300	Under left side of rear seat	209-2

BRAKE WARNING SYSTEM

Brake Fluid Level Switch	Left of engine, on brake fluid reservoir	208-1
Ignition Switch	Upper part of steering column	
Park Brake Switch	At base of parking brake	
Power Distribution Box	At top rear of left front wheel well	201-1
Seatbelt Warning Timer	Above brake pedal	210-2
C200 (9 pins)	Under left side of dash, on steering column	210-1
G104	On inner fender, behind left headlights	211-1
G200	Under left side of dash, above brake pedal	210-2

CENTRAL LOCKING SYSTEM

Central Locking Control Unit	Below and behind left front speaker	
Central Locking Micro Switch	Rear of right door, at lock cylinder	214-2
Door Lock Motors	Rear part of each door	214-2
Gas Filler Door Lock Motor	Behind right rear inner wheel well	
Ignition Switch	Upper part of steering column	
Power Distribution Box	At top rear of left front wheel well	201-1
Trunk Lid Lock Motor	On trunk lock center support	
C200 (9 pins)	Under left side of dash, on steering column	210-1
C302 (25 pins) Accy Connector	Upper left corner of driver's footwell	213-1
C400 (6 pins)	Behind and above left front speaker	
C401 (13 pins)	Above and behind right front speaker	
C402 (13 pins)	Above and behind left front speaker	
G200	Under left side of dash, above brake pedal	210-2

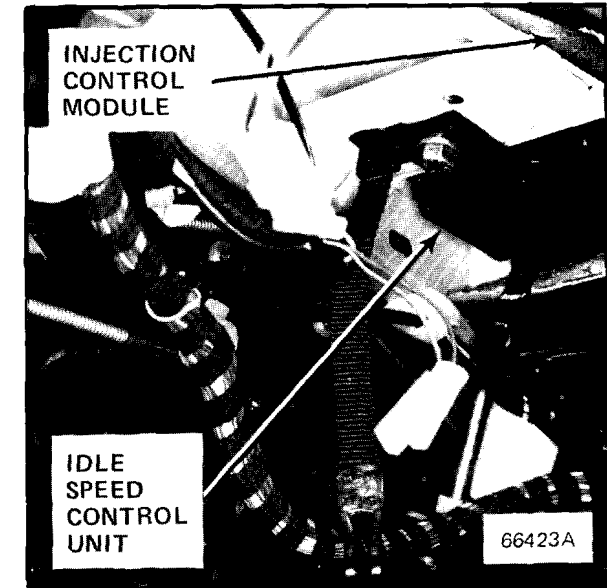


Figure 1 - Below Right Side Of Dash (318i)

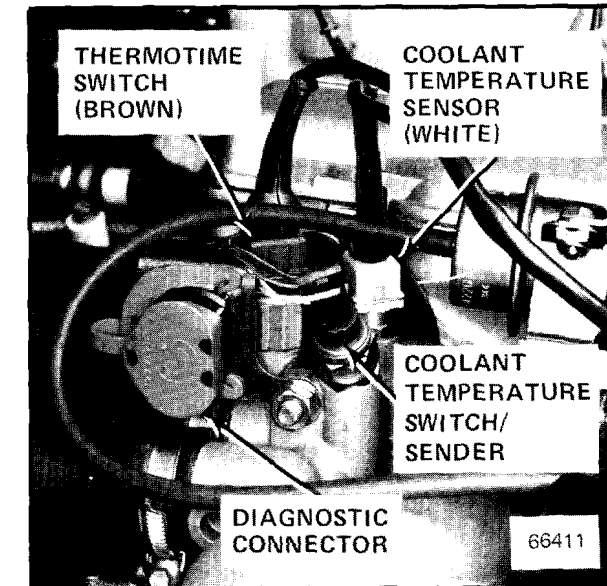


Figure 2 - Top Left Front Of Engine (318i)

CIGAR LIGHTER/DIGITAL CLOCK/GLOVE BOX LIGHT/AUTOCHARGING FLASHLIGHT

Auto-Charging Flashlight	In glove box	
Glove Box Light	In right underdash cover, in glove box	
Power Distribution Box	At top rear of left front wheel well	201-1
C103 (29 pins)	Upper left corner of driver's footwell	213-1
C204 (9 pins)	Under left side of dash	214-1
G200	Under left side of dash, above brake pedal	210-2

CRUISE CONTROL/STOP LIGHTS

Active Check Control Unit	Above rear view mirror	
Auto. Trans. Range Switch	At base of shift lever	
Brake Switch	Above brake pedal	214-1
Clutch Switch	Above clutch pedal	
Cruise Control Actuator	Forward of LH front shock tower	216-2
Cruise Control Control Unit	Mounted under RH side of dash	218-6
Cruise Control Switch	On RH side of steering column	
Power Distribution Box	At top rear of LH front wheel well	201-1
Rear Lights Check Relay	In trunk above left wheel well	
Start Relay	Upper LH corner of driver's footwell	218-4
C142 (1 pin)	Under LH side of dash above steering column	218-3
C143 (1 pin)	Under LH side of dash near body electrical bracket	218-4
C202 (13 pins)	Under left side of dash on steering column	210-1
C208 (2 pins)	Near brake pedal support bracket	218-3
C209 (7 pins)	Above brake pedal	
C210 (4 pins)	On LH side of steering column	
C301 (2 pins)	At base of shift lever	201-1
C302 (25 pins) Accy Connector	Under left side of dash on body electrical bracket	213-1
G104	On inner fender, behind left headlights	211-1
G200	Under left side of dash, above brake pedal	210-2
G201 (Steering Column Ground)	Upper left side of steering column	
G302	Under left side of rear seat	209-2

DASH LIGHTS

Power Distribution Box	At top rear of left front wheel well	201-1
C103 (29 pins)	Upper left corner of driver's footwell	213-1
C204 (9 pins)	Under left side of dash, on steering column	210-1
C302 (25 pins) Accy Connector	Upper left corner of driver's footwell	213-1
G200	Under left side of dash, above brake pedal	210-2

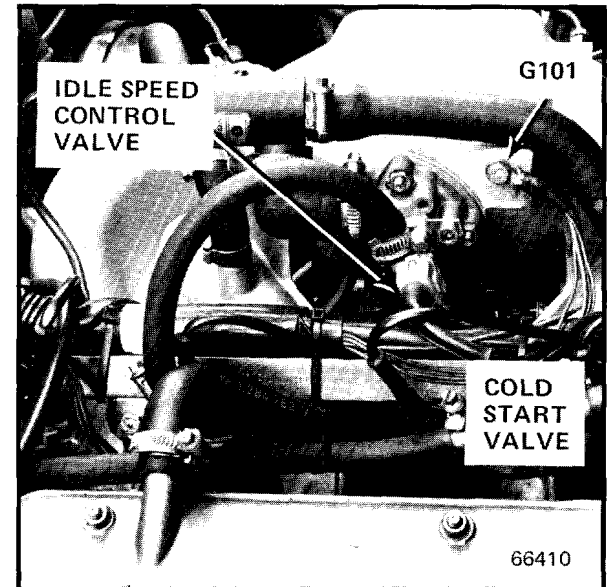


Figure 1 - Top Center Of Engine (318i)

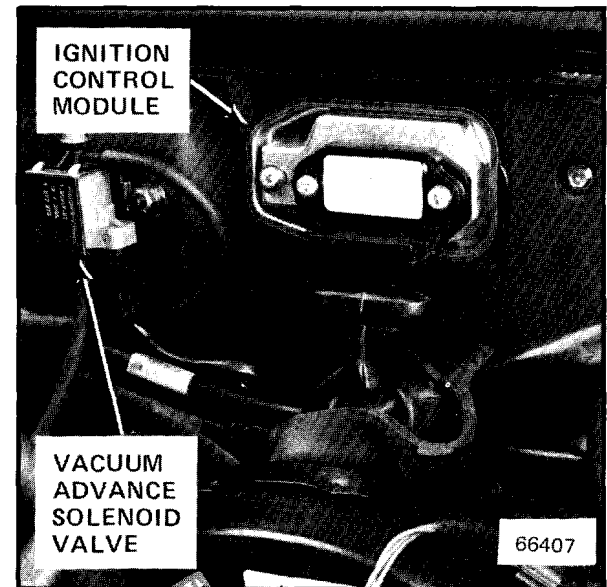


Figure 2 - Left Rear Corner Of Engine Compartment (318i)

204 COMPONENT LOCATIONS

ENGINE: 318i

CHARGING SYSTEM

Dash Warning Display	Top center of dash	
Diagnostic Connector	Top front of engine	202-2
Ignition Switch	Upper part of steering column	
Power Distribution Box	At top rear of left front wheel well	201-1
C101 (19 pins)	On power distribution box	201-1
C103 (29 pins)	Upper left corner of driver's footwell	213-1
C200 (9 pins)	Upper left side of dash, on steering column	210-1
G100	Behind right front shock tower	

FUEL CONTROL

Air Flow Meter	Behind air cleaner	204-1
Barometric Pressure Sensor	Mounted on air intake housing	205-1
Cold Start Valve	Top center of engine	203-1
Coolant Temperature Sensor	Front of engine, top of thermostat housing	202-2
Diagnostic Connector	Top front of engine	202-2
Fuel Pump Relay	On bracket in front of left front shock tower	201-2
Fuel Shutoff Relay	On bracket in front of left front shock tower	201-2
Ignition Coil	On right front wheel well	
Ignition Control Module	On bulkhead, above brake vacuum booster	203-2
Ignition Switch	Upper part of steering column	
Injection Control Module	Right side of dash, above glove box	202-1
Oxygen Sensor	RH rear of engine, in exhaust manifold	
Thermotime Switch	Front of engine, top of thermostat housing	202-2
Throttle Switch	Below rear of throttle body	
Vacuum Advance Control	On bracket in front of left front shock tower	201-2
C101 (19 pins)	On power distribution	201-1
G101	Top front of engine	203-1
G102	Top rear of engine	

IDLE SPEED CONTROL

0°C (32°F) Temp Switch	On bulkhead, behind distributor	207-1
Automatic Trans. Range Switch	At base of shift lever	
Coolant Temperature Switch/Sender	Front of engine, top of thermostat housing	202-2
Diagnostic Connector	Top front of engine	202-2

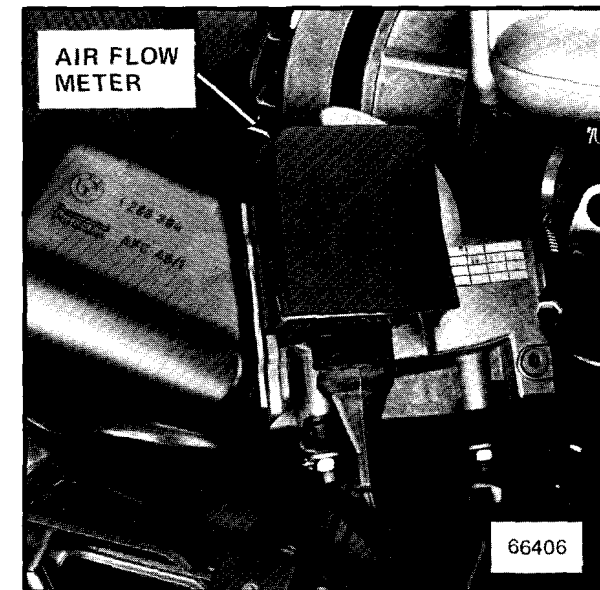


Figure 1 - Left Front Corner Of Engine Compartment (318i)

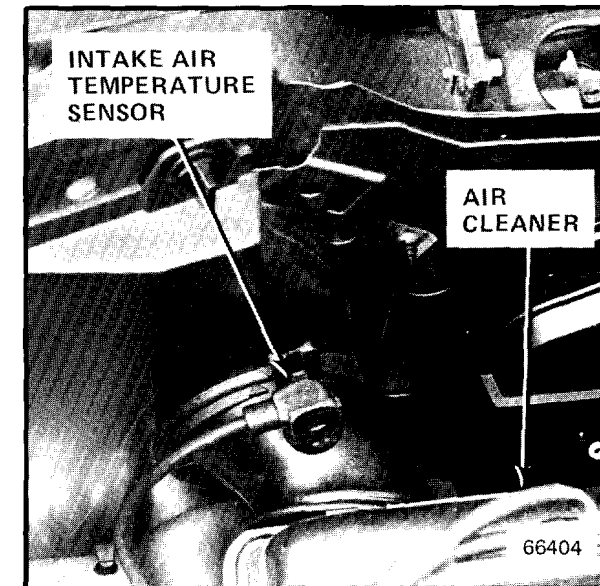


Figure 2 - Left Front Corner Of Engine Compartment (318i)

(continued)

Fuel Pump Relay	On bracket in front of left front shock tower	201-2
Idle Speed Control Unit	Right side of dash, above glove box	202-1
Idle Speed Control Valve	Top rear of engine	203-1
Ignition Coil	On right front wheel well	
Ignition Control Module	On bulkhead, above brake vacuum booster	203-2
Power Distribution Box	At top rear of left front wheel well	201-1
Throttle Switch	Below rear of throttle body	
C101 (19 pins)	On power distribution box	201-1
C105 (1 pin)	Right side of evaporator housing	
C131 (1 pin)	Right side of dash, above glove box	215-3
C301 (2 pins)	At base of shift lever	
G101	Top front of engine	203-1

IGNITION/FUEL DELIVERY

Auxiliary Fuel Pump	In fuel tank	209-1
Diagnostic Connector	Top front of engine	202-2
Fuel Pump Relay	On bracket in front of left front shock tower	201-2
Idle Speed Control Unit	Right side of dash, above glove box	202-1
Ignition Coil	On right front wheel well	
Ignition Control Module	On bulkhead, above brake booster	203-2
Ignition Switch	Upper part of steering column	
Injection Control Module	Right side of dash, above glove box	202-1
Main Fuel Pump	Under car, in front of left rear wheel	
On-Board Computer Module	In center console right of radio	
On-Board Computer Relay Box	Under LH side of dash, above hood release	218-4
Power Distribution Box	At top rear of left front wheel well	201-1
C101 (19 pins)	On power distribution box	201-1
C103 (23 pins)	Upper left corner of driver's footwell	213-1
C104 (3 pins)	Right side of dash, above glove box	215-3
C200 (9 pins)	Under left side of dash, on steering column	210-1
C212 (2 pins)	Under LH side of dash near accessory connector	218-4
C235 (3 pins)	Under LH side of dash, near accessory connector	
G100	Behind right front shock tower	
G101	Top front of engine	203-1
G102	Top rear of engine	
G300	Under left side of rear seat	209-2

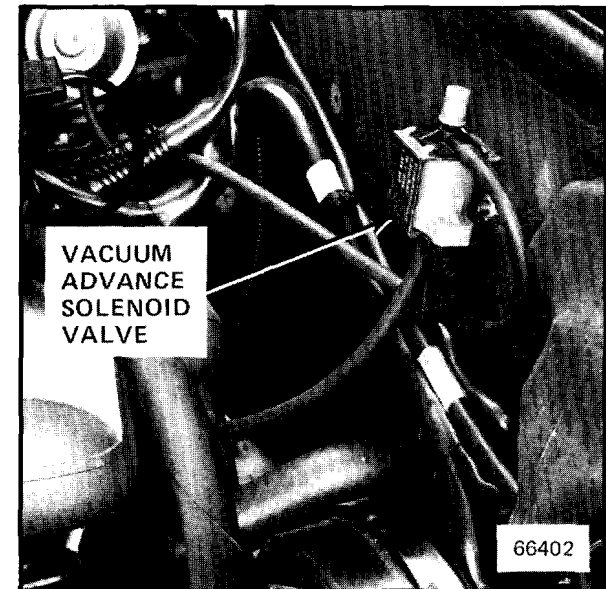


Figure 1 - Above Brake Vacuum Booster (318i)

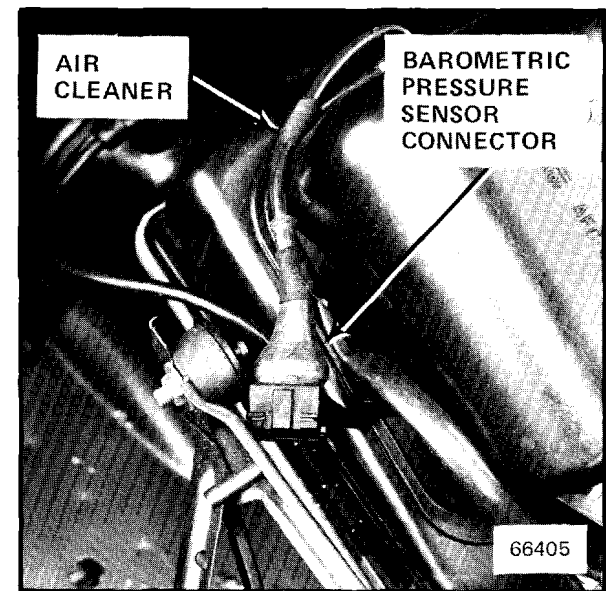


Figure 1 - Left Front Corner Of Engine Compartment (318i) (Manual Transmission Shown)

206 COMPONENT LOCATIONS

START

Automatic Trans. Range Switch	At base of shift lever	
Diagnostic Connector	Top front of engine	202-2
Ignition Switch	Upper part of steering column	201-1
Power Distribution Box	At top rear of left front wheel well	201-1
Start Relay	Upper left corner of driver's footwell	
C101 (19 pins)	On power distribution box	201-1
C200 (9 pins)	Under left side of dash, on steering column	210-1
C241 (1 pin)	Behind instrument panel, above steering column	208-2
C301 (2 pins)	At base of shift lever	
G100	Behind right front shock tower	
G200	Under left side of dash, above brake pedal	210-2

VACUUM ADVANCE

Coolant Temperature Switch/Sender	Front of engine, top of thermostat housing	202-2
Diagnostic Connector	Top front of engine	202-2
Ignition Control Module	On bulkhead, above brake vacuum booster	203-2
Intake Air Temp. Sensor	In air intake, behind left headlights	204-2
Power Distribution Box	At top rear of left front wheel well	201-1
Vacuum Advance Control	On bracket in front of left front shock tower	201-2
Vacuum Advance Solenoid Valve	On bulkhead, above brake vacuum booster	203-2
Vacuum Advance Unit	On distributor	
C101 (19 pins)	On power distribution box	201-1
G101	Top front of engine	203-1

ENGINE: 325e

CHARGING SYSTEM

Battery	In RH rear of trunk	
Battery Junction Block	Engine compartment or RH bulkhead	217-3
Diagnostic Connector	Top LH front of engine	216-3
Ignition Switch	Upper part of steering column	
Power Distribution Box	At top rear of left front wheel well	201-1
C101 (19 pins)	On power distribution box	201-1
C103 (29 pins)	Upper left corner of driver's footwell	213-1
C200 (9 pins)	Under left side of dash, on steering column	210-1
G100 (325e)	RH rear of trunk behind battery	

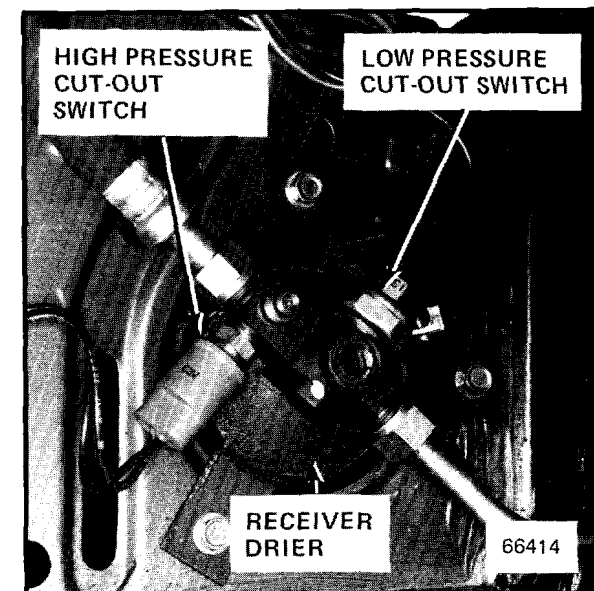


Figure 1 - Behind Right Headlights

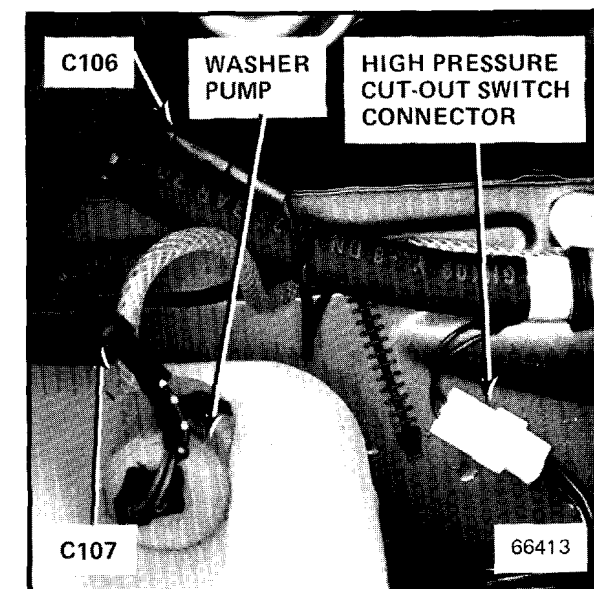


Figure 2 - Right Front Corner Of Engine Compartment

FUEL DELIVERY/FUEL CONTROL

Air Flow Meter	In intake duct, above rear of air cleaner housing	216-4
Auxiliary Fuel Pump	In fuel tank	209-1
Barometric Pressure Sensor	On RH front of air cleaner housing	216-6
Battery Junction Block	Engine compartment on RH bulkhead	217-3
Fuel Injectors	Above intake manifold at each port	
Fuel Pump Relay	On bracket in front of left front shock tower	216-4
Ignition Switch	Upper part of steering column	
Main Fuel Pump	Under car, in front of left rear wheel	
Main Relay	On bracket in front of left front shock tower	216-4
Motronic Control Unit	Under RH side of dash, above glove box	218-5
On-Board Computer Module	In center console, right of radio	
On-Board Computer Relay Box	Under LH side of dash above hood release	218-4
Oxygen Sensor	In exhaust pipe, near rear transmission mount	
Power Distribution Box	At top rear of left front wheel well	201-1
C103 (19 pins)	On power distribution box	213-1
C104 (3 pins)	RH side of dash above glove box	218-5
C140 (3 pins)	Near RH rear of engine	217-5
C141 (3 pins)	Near oxygen sensor	218-1
C200 (9 pins)	Under LH side of dash on steering column	210-1
C212 (2 pins)	Under LH side of dash near accessory connector	218-4
C235 (3 pins)	RH side of dash above glove box	
G103	On left side of engine block above starter	
G300	Behind LH side of rear seat	209-2

IDLE SPEED CONTROL

Automatic Transmission		
Range Switch	In center console at base of shift lever	217-1
Coolant Temperature Sensor	Front of engine on thermostat housing	217-1
Coolant Temperature Switch	Front of engine on thermostat housing	217-1
Engine Speed Sensor	Lower LH side of transmission bell housing	
Idle Control Valve	Top rear of engine	217-4
Idle Speed Control Unit	Under RH side of dash, above glove box	218-5
Motronic Control Unit	Under RH side of dash, above glove box	218-5
0°C Temperature Switch	On bulkhead, left of battery junction block	217-3
Oxygen Sensor Heater Relay	On bracket in front of left front shock tower	216-4

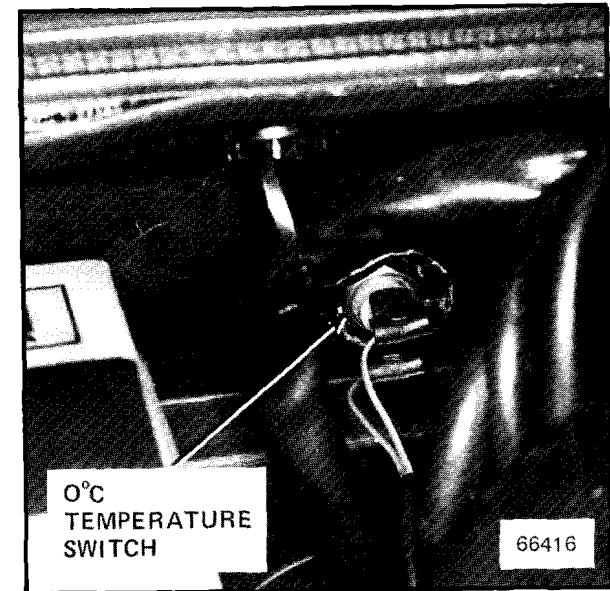


Figure 1 - Bulkhead Behind Distributor (318i)

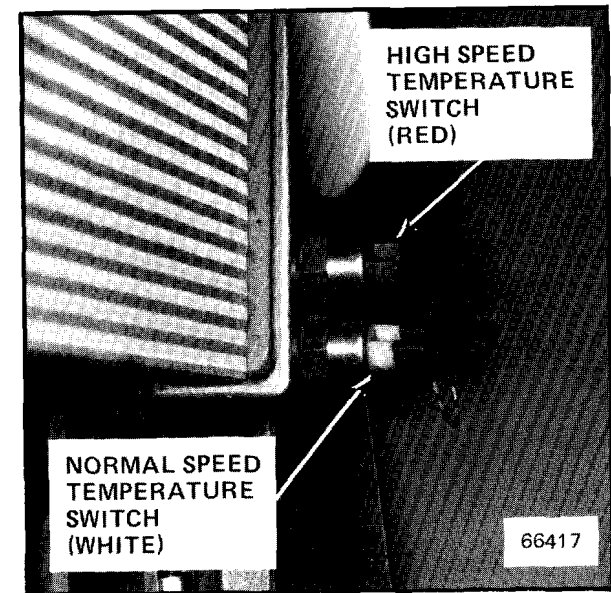


Figure 2 - Bottom Left Rear Of Radiator (318i)

208 COMPONENT LOCATIONS

(continued)

Power Distribution Box	At top rear of left front wheel well	201-1
Throttle Switch	LH side of engine, below center of throttle body	
C101 (19 pins)	On power distribution box	201-1
C131 (1 pin)	Right side of dash above glove box	212-1
C132 (1 pin)	Near automatic transmission range switch	
C301 (2 pins)	At base of shift lever	
G103	On LH side of engine block above starter	

IGNITION

Diagnostic Connector	Top LH front of engine	216-3
Ignition Coil	Forward of RH shock tower	
Ignition Switch	Upper part of steering column	
Motronic Control Unit	Under RH side of dash above glove box	218-5
Reference Point Sensor	Lower LH side of transmission bell housing	217-5
TDC Sensor	Above crankshaft vibration dampener	217-5
C101 (19 pins)	On power distribution box	201-1
C200 (9 pins)	Under LH side of dash on steering column	210-1
G103	On LH side of engine block above starter	

START

Automatic Trans. Range Switch	At base of shift lever	
Battery (325e)	In RH rear of trunk	
Battery Junction Box	Engine compartment on RH bulkhead	217-3
Cold Start Valve	Top RH side of intake manifold	217-4
Diagnostic Connector	Top LH front of engine	216-3
Ignition Switch	Upper part of steering column	
Power Distribution Box	At top rear of left front wheel well	201-1
Start Relay	Upper left corner of driver's footwell	
Thermo-Time Switch	Top front of coolant thermostat housing	216-3
C101 (19 pins)	On power distribution box	201-1
C200 (9 pins)	Under left side of dash, on steering column	210-1
C241 (1 pin)	Behind instrument panel, above steering	
C301 (2 pins)	At base of shift lever	
G100	RH rear of trunk behind battery	
G200	Under left side of dash, above brake pedal	210-2

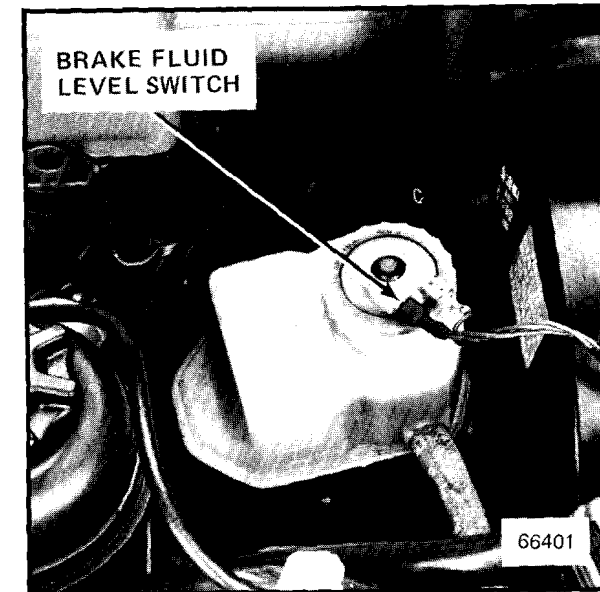


Figure 1 - LH Rear Of Engine Compartment

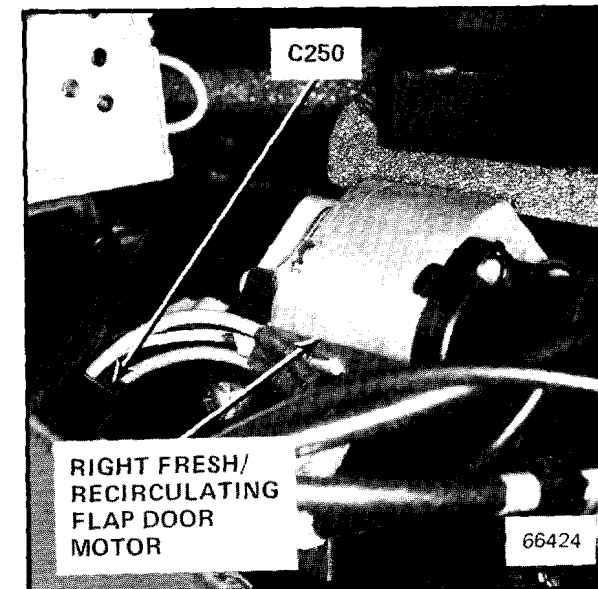


Figure 2 - Behind Right Side Of Center Console

HEADLIGHTS/FOG LIGHTS

Active Check Control Unit	Above rear view mirror	
Combination Switch	Upper left side of steering column	
Flasher	Upper part of steering column	
Fog Light Switch	On dash, left of steering column	
Power Distribution Box	At top of rear of left front wheel well	201-1
C103 (29 pins)	Upper left corner of driver's footwell	213-1
C126 (2 pins)	Behind left headlights	211-1
C127 (2 pins)	Behind right headlights.	211-2
C202 (13 pins)	Under left side of dash, on steering column.	210-1
G104	On inner fender, behind left headlights.	211-1
G200	Under left side of dash, above brake pedal	210-2

HEATING AND AIR CONDITIONING

A/C In-Line Diode	Left side of evaporator housing	
A/C In-Line Fuse	Left side of evaporator housing	
Blower Motor	Behind center console, in evaporator housing	
Blower Resistors	Behind center console, in evaporator housing	
Clutch Diode	Near washer pump	
Evaporator Temperature Switch	Left side of evaporator housing	
Fuel Shutoff Relay (318i)	On bracket in front of left front shock tower.	201-2
High Pressure Cut-Out Switch	On receiver dryer	206-2
Fresh/Recir. Air Relays	Behind A/C face plate	
Fresh/Recir. Air Flap Door Motors	Behind A/C face plate	208-2
Hot Water Cut-Off Switch	Behind A/C face plate	
Idle Speed Control Unit	Right side of dash, above glove box.	202-1
Ignition Control Module	On bulkhead, above brake vacuum booster.	203-2
Low Pressure Cut-Out Switch	Behind right headlights.	206-2
Power Distribution Box	At top rear of left front wheel well	201-1
Water Shut-Off Solenoid	Left side of evaporator housing	
C103 (29 pins)	Upper left corner of driver's footwell	213-1
C105 (1 pin)	Right side of evaporator housing	215-3
C106 (1 pin)	Near washer pump	206-1
C107 (2 pins)	Near washer pump	206-1
C204 (9 pins)	Under left side of dash, on steering column.	214-1
C251 (4 pins)	Behind A/C face plate	
C255	Left side of evaporator housing	
G200	Under left side of dash, above brake pedal	210-2

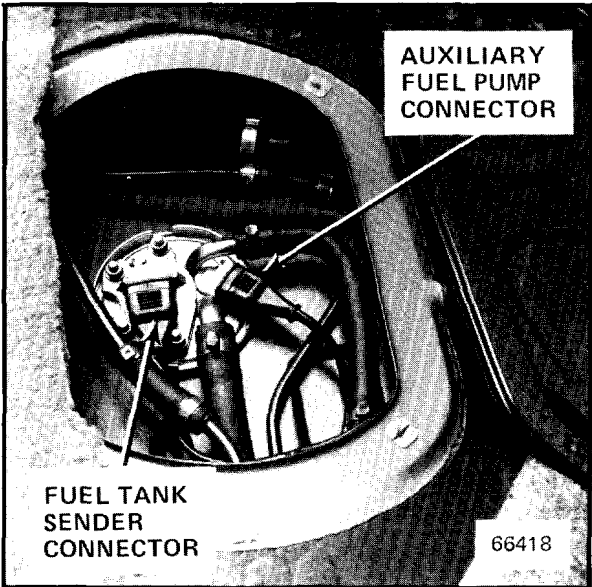


Figure 1 - Under Right Side Of Rear Seat

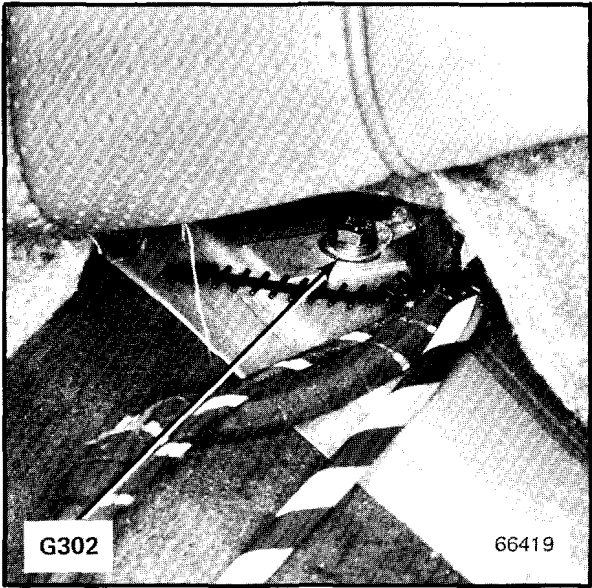


Figure 2 - Left Side Of Rear Seat Back Rest

210 COMPONENT LOCATIONS

(continued)

IGNITION KEY WARNING/SEATBELT WARNING

Active Check Control Unit (325e)	Above rear view mirror	
Chime Module	Mounted on left under dash cover	217-6
Dash Warning Display (318i)	Top center of dash	
Power Distribution Box	At top rear of left front wheel well	201-1
Seatbelt Switch	In driver's seatbelt buckle	
Seatbelt Warning Timer	Above brake pedal	210-2
C103 (29 pins)	Upper left corner of driver's footwell	213-1
C200 (9 pins)	Under left side of dash, on steering column	210-1
G200	Under left side of dash, above brake pedal	210-2

INTERIOR LIGHTS

Driver Exterior Door		
Handle Switch	In rear of left door	213-2
Interior Light Timer Control	Below left front speaker	
Power Distribution Box	At top rear of left front wheel well	201-1
C302 (25 pins) Accy Connector	Upper left corner of driver's footwell	213-1
C303 (3 pins)	At base of right "B" pillar	
C304 (3 pins)	At base of left "B" pillar	
C400 (6 pins)	Behind and above left front speaker	
C503 (3 pins)	In rear of door	215-2
C510 (1 pin)	Behind and above left front speaker	
G200	Under left side of dash, above brake pedal	210-2
G300	Upper left side of rear seat	209-2

LIGHTS: FRONT PARK/FRONT SIDE MARKER/TAIL/REAR MARKER/LICENSE/TRUNK

Active Check Control Unit (325e)	Above rear view mirror	
Power Distribution Box	At top rear of left front wheel well	201-1
Rear Lights Check Relay (325e)	In trunk above left wheel well	
C103 (29 pins)	Upper left corner of driver's footwell	213-1
G104	On inner fender, behind left headlights	211-1
G300	Under left side of rear seat	209-2



Figure 1 - Under Left Side Of Dash

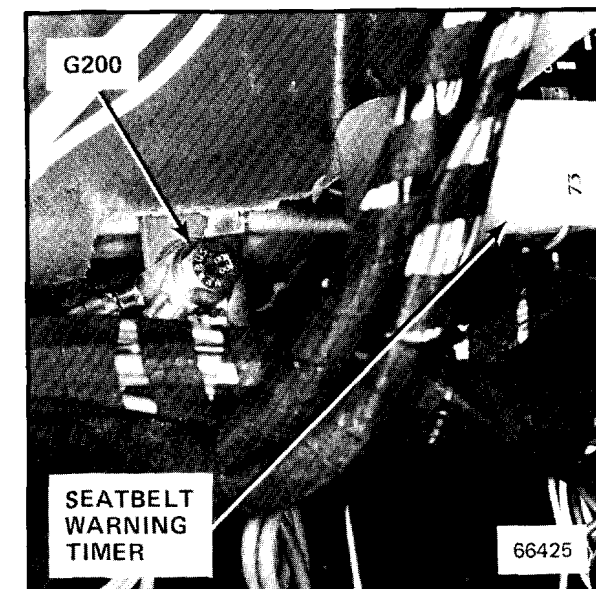


Figure 2 - Above Pedal Assembly

LIGHTS: TURN/HAZARD WARNING

Combination Switch	Upper left side of steering column	
Flasher	Upper part of steering column	
Hazard Switch	In center console, above radio	215-1
Power Distribution Box	At top rear of left front wheel well	201-1
C103 (29 pins)	Upper left corner of driver's footwell	213-1
C200 (9 pins)	Under left side of dash, on steering column	210-1
C202 (13 pins)	Under left side of dash, on steering column	210-1
G104	On inner fender, behind left headlights	211-1
G200	Under left side of dash, above brake pedal	210-2
G201 (Steering Column Ground)	Upper left side of steering column	
G300	Under left side of rear seat	209-2

ON-BOARD COMPUTER

Battery (318i)	Behind RH front shock tower	
Battery (325e)	In rear of trunk	
Battery Junction Block (325e)	Engine compartment on RH bulkhead	217-3
B/C Horn Diode	Near LH front shock tower	216-1
Board Computer Horn	Near LH front shock tower	216-1
Chime Module	Mounted on left under dash cover	217-6
Combination Switch	Upper left side of steering column	
Fuel Pump Relay (318i)	On bracket in front of left front shock tower	201-2
Fuel Tank Sender	Top of fuel tank	209-1
Ignition Switch	Upper part of steering column	
Injection Control Module	On bulkhead above brake vacuum booster	202-1
Main Relay (325e)	On bracket in front of left front shock tower	216-4
Motronic Control Unit	Under RH side of dash, above glove box	218-5
On-Board Computer Module	In center console right of radio	
On-Board Computer Relay Box	Under LH side of dash above hood release	218-4
Outside Temperature Sensor	Near LH fog light	
Power Distribution Box	At top rear of left front wheel well	201-1
C103 (29 pins)	Under LH side of dash on steering column	213-1
C200 (9 pins)	Under LH side of dash on steering column	210-1
C212 (2 pins)	Under LH side of dash near accessory connector	218-4
C224 (2 pins)	Under LH side of dash near accessory connector	218-4
C235 (3 pins)	RH side of dash above glove box	
C302 (3 pins)	Under LH side of dash on body electrical bracket	213-1
C400 (6 pins)	Behind LH front speaker	
G100 (318i)	Behind right front shock tower	
G100 (325e)	RH rear of trunk behind battery	

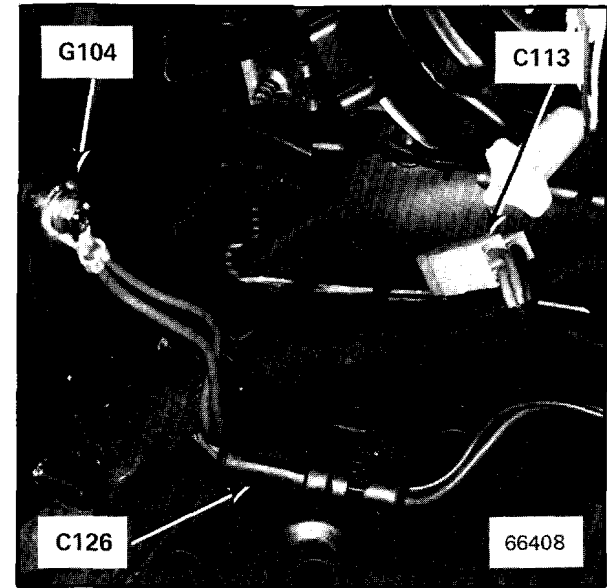


Figure 1 - Behind Left Headlights

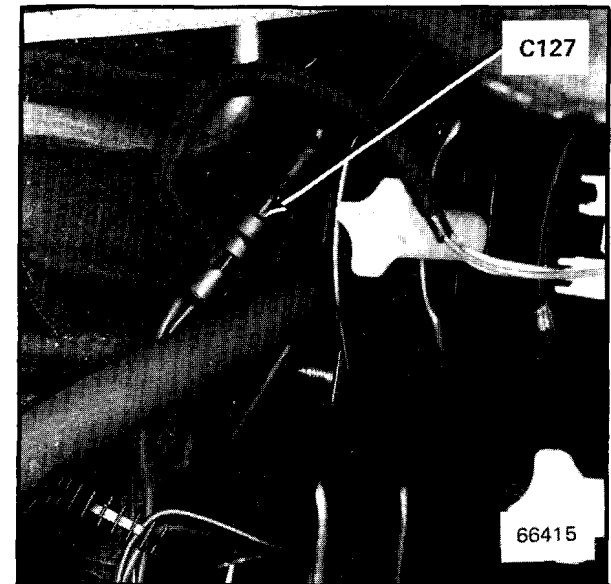


Figure 2 - Behind Right Headlights

212 COMPONENT LOCATIONS

(continued)

G102 (318i)	Top rear of engine	
G103 (325e)	On left side of engine block, above starter	
G200	Under left side of dash above brake pedal	210-2
G300	Behind LH side of rear seat	209-2

POWER DISTRIBUTION

Battery (318i)	Behind RH front shock tower	
Battery (325e)	In RH rear of trunk	
Battery Junction Block (325e)	Engine compartment on RH bulkhead	217-3
Diagnostic Connector (318i)	Top front of engine	202-2
Diagnostic Connector (325e)	Top LH front of engine	216-3
Ignition Switch	Upper part of steering column	
Power Distribution Box	At top rear of left front wheel well	201-1
C200 (9 pins)	Under left side of dash, on steering column	201-1
C302 (25 pins) Accy Connector	Upper left corner of driver's footwell	213-1
G100 (318i)	Behind right front shock tower	
G100 (325e)	RH rear of trunk behind battery	
G200	Under left side of dash, above brake pedal	210-2

POWER MIRRORS

Mirror Control Switch	On driver's door, above arm rest	
Power Distribution Box	At top rear of left front wheel well	201-1
C400 (6 pins)	Behind and above left front speaker	
C501 (4 pins)	Upper left corner of driver's footwell	213-1
C502 (4 pins)	Above and behind right rear speaker	215-2
G200	Under left side of dash, above brake pedal	210-2

POWER WINDOWS

Ignition Switch	Upper part of steering column	
Power Distribution Box	At top rear of left front wheel well	201-1
Power Window Circuit Breaker	On center console, above radio	215-1
Power Window Motors	Forward part of each door	
C200 (9 pins)	Under left side of dash, on steering column	210-1
C302 (25 pins) Accy Connector	Upper left corner of driver's footwell	213-1
C351 (1 pin)	Behind center console	
C401 (13 pins)	Above and behind right front speaker	
C402 (13 pins)	Above and behind left front speaker	
G200	Under left side of dash, above brake pedal	210-2

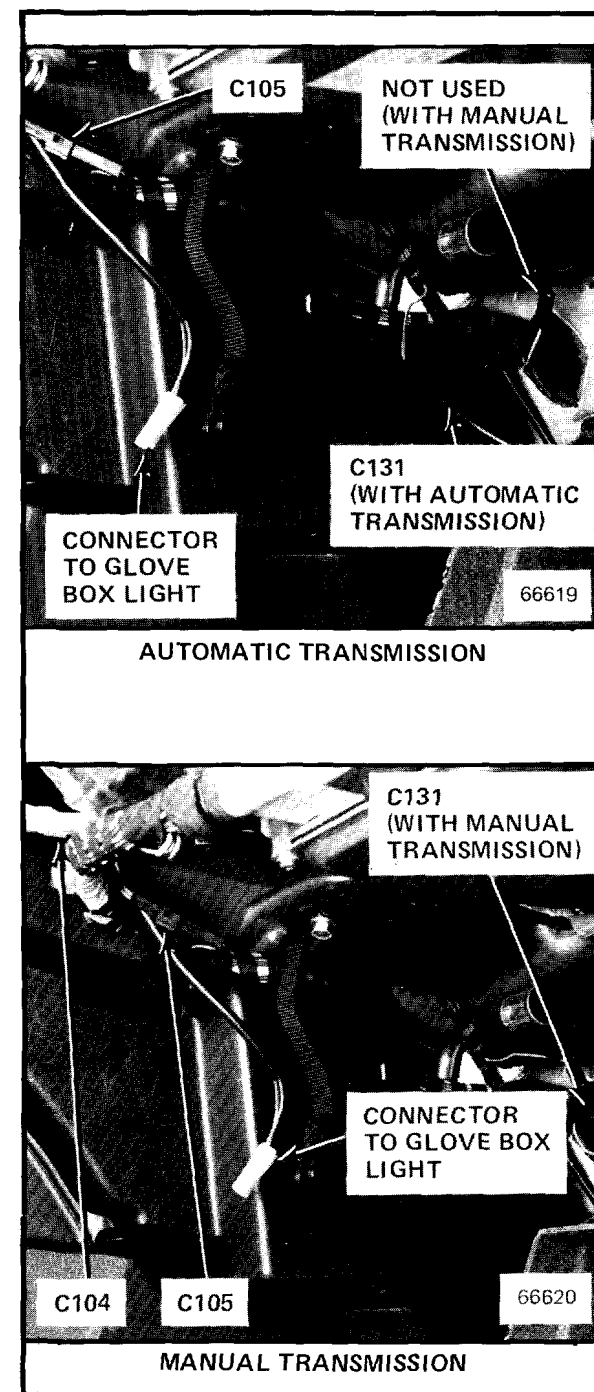


Figure 1 - Under RH Side Of Dash

RADIO/POWER ANTENNA

Power Distribution Box	At top rear of left front wheel well	201-1
C250 (7 pins)	Behind right side of center console	208-2
C302 (25 pins) Accy Connector	Upper left corner of driver's footwell	213-1
G200	Under left side of dash, above brake pedal	210-2
G302	On power antenna mounting bracket	

REAR DEFOGGER

Dash Warning Display (318i)	Top center of dash	
Power Distribution Box	At top rear of left front wheel well	201-1
C103 (29 pins)	Upper left corner of driver's footwell	213-1
G200	Under left side of dash, above brake pedal	210-2
G302	Under left side of rear seat	209-2

SERVICE INTERVAL INDICATOR

Coolant Temperature Switch/Sender (318i)	Front of engine, top of thermostat housing	202-2
Coolant Temperature Sender (325e)	Front of engine on thermostat housing	217-1
Diagnostic Connector (318i)	Top front of engine	202-2
Diagnostic Connector (325e)	Top LH front of engine	216-3
Ignition Control Module (318i)	On bulkhead, above brake vacuum booster	203-2
Injection Control Module (318i)	Right side of dash, above glove box	202-1
Motronic Control Unit	Under RH side of dash, above glove box	218-5
Power Distribution Box	At top rear of left front wheel well	201-1
C101 (19 pins)	On power distribution box	201-1
C103 (29 pins)	Upper left corner of driver's footwell	213-1
C104 (3 pins)	Right side of dash, above glove box	215-3
G200	Under left side of dash, above brake pedal	210-2

SPEEDOMETER/INDICATORS/GAUGES

Active Check Control Unit (325e)	Above rear view mirror	
Coolant Temperature Switch/Sender (318i)	Front of engine, on thermostat housing	202-2
Coolant Temperature Sender (325e)	Front of engine on thermostat housing	217-1
Dash Warning Display (318i)	Top center of dash	

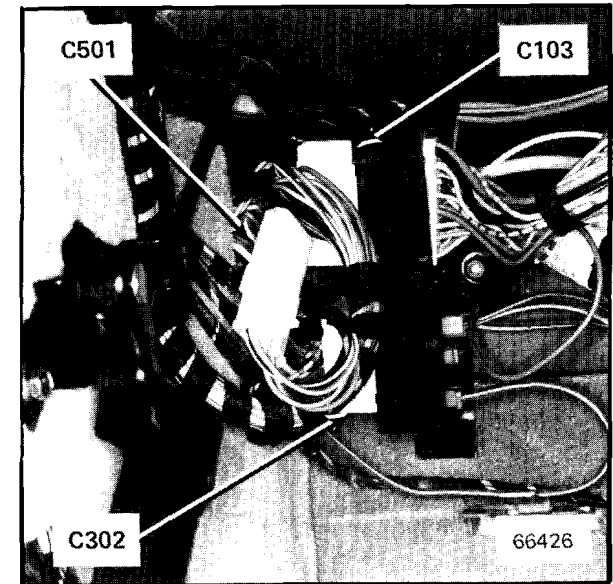


Figure 1 - Under Left Side Of Dash Ahead Of Pedal Assembly



Figure 2 - Rear Of Left Door

214 COMPONENT LOCATIONS

(continued)

Diagnostic Connector (318i)	Top front of engine	202-2
Diagnostic Connector (325e)	Top LH front of engine	216-3
Fuel Tank Sender	Top of fuel tank	209-1
Ignition Switch	Upper part of steering column	
Oil Pressure Switch (318i)	On top rear of cylinder head	
Oil Pressure Switch (325e)	Above oil filter	
Power Distribution Box	At top rear of left front wheel well	201-1
Speedometer Sender	In rear of differential	
C101 (19 pins)	On power distribution box	201-1
C103 (29 pins)	Upper left corner of driver's footwell	213-1
C200 (9 pins)	Under left side of dash, on steering column	210-1
G200	Under left side of dash, above brake pedal	210-2
G302	Under left side of rear seat	209-2

SUNROOF

Drive Motor	Behind header above rear view mirror	
Limit Switch	Behind header above rear view mirror	
Motor Relay	Behind header above rear view mirror	
Sunroof Switch	Above rear view mirror	
Power Distribution Box	At top rear of left front wheel well	
C302 (25 pins) Accy Connector	Upper LH corner of driver's footwell	213-1
G600	Near sunroof switch	

TACHOMETER/FUEL ECONOMY GAUGE

Ignition Coil	Forward of RH shock tower	
Ignition Control Module (318i)	On bulkhead, above brake vacuum booster	203-2
Injection Control Module (318i)	Right side of dash, above glove box	202-1
Motronic Control Unit (325e)	Under RH side of dash, above glove box	218-5
Power Distribution Box	At top rear of left front wheel well	201-1
C103 (29 pins)	Upper left corner of driver's footwell	213-1
C104 (3 pins)	Right side of dash, above glove box	215-3
C235 (3 pins)	RH side of dash above glove box	
G200	Under left side of dash, above brake pedal	210-2

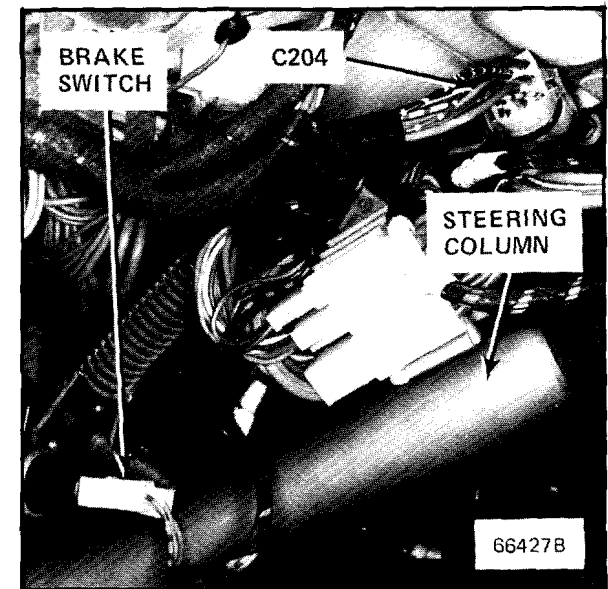


Figure 1 - Under LH Side Of Dash

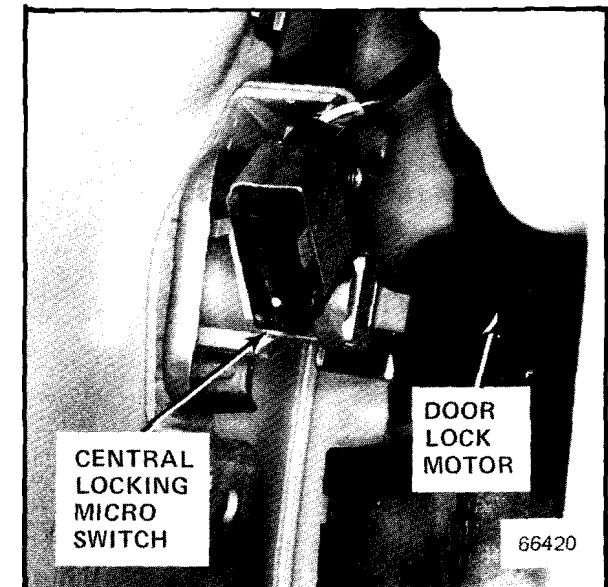


Figure 2 - Rear Of Right Door

WIPER/WASHER

Power Distribution Box	At top rear of left front wheel well	201-1
Washer Jet Heaters (325e)	On rear of hood	
Washer Pump	Ahead of right front wheel well, on reservoir	206-2
Wiper Motor	Under left side fresh air intake cowl	
Wiper/Washer Switch	Upper right side of steering column	
C201 (6 pins)	Under left side of dash, on steering column	210-1
C108	In power distribution box	
C109	Near wiper motor	
C110 (2 pins) (325e)	Near washer reservoir	216-5
G102 (325e)	At RH hood hinge	217-2
G200	Under left side of dash, above brake pedal	210-2
G201 (Steering Column Ground)	Upper left side of steering column	

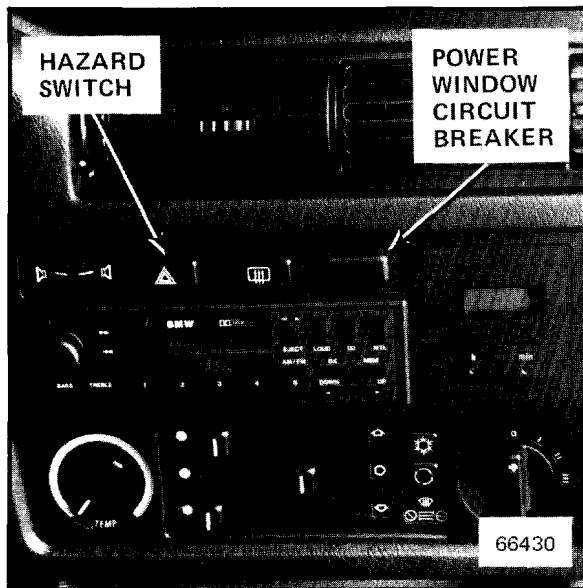


Figure 1 - Center Console

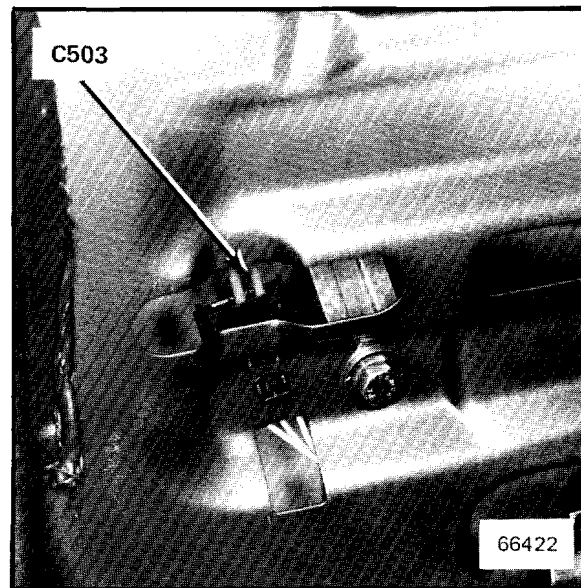


Figure 2 - Rear Of Left Door

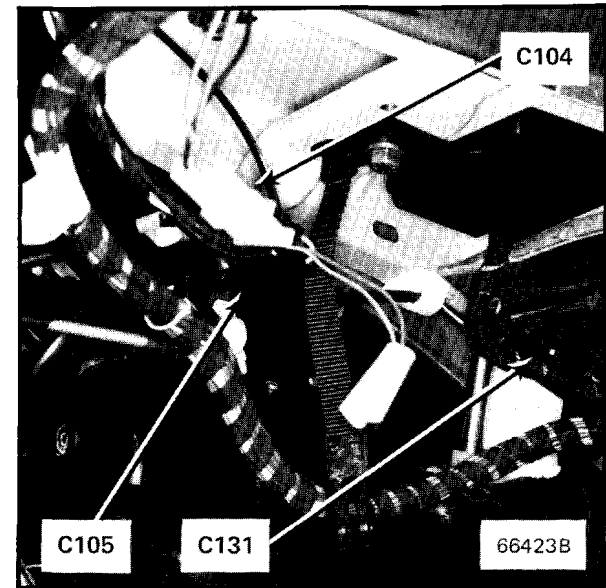


Figure 3 - Behind Right Side Of Dash

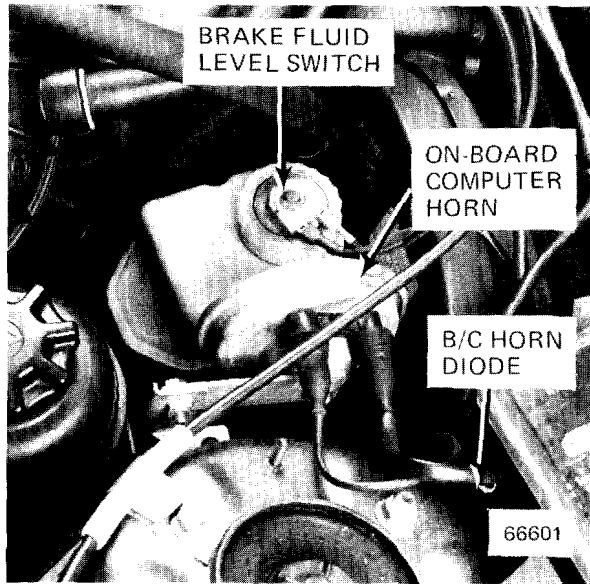


Figure 1—LH Rear of Engine Compartment (325)

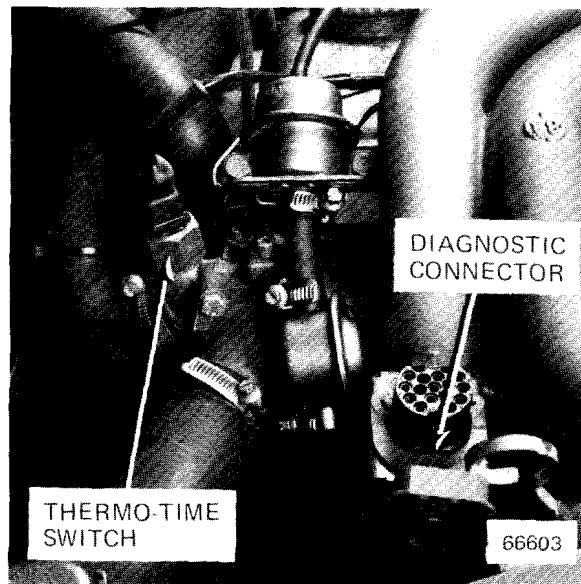


Figure 3—Top Left Front of Engine (325e)

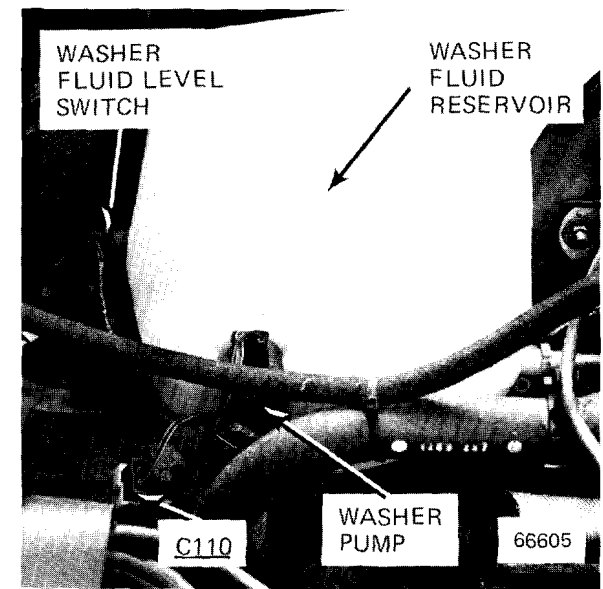


Figure 5 - Behind RH Lights (325)

NOTE THE POSITION OF THE RELAY MAY BE INTERCHANGED. CHECK RELAY WIRE COLORS FOR POSITIVE IDENTIFICATION.



Figure 2—Behind LH Headlights

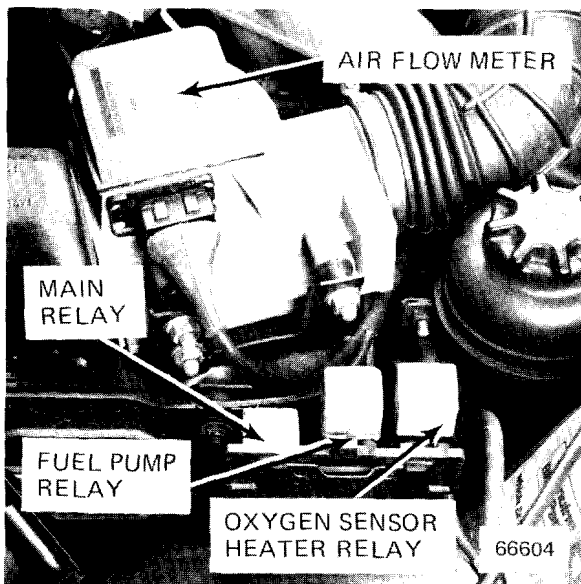


Figure 4 - Forward of LH Shock Tower (325)

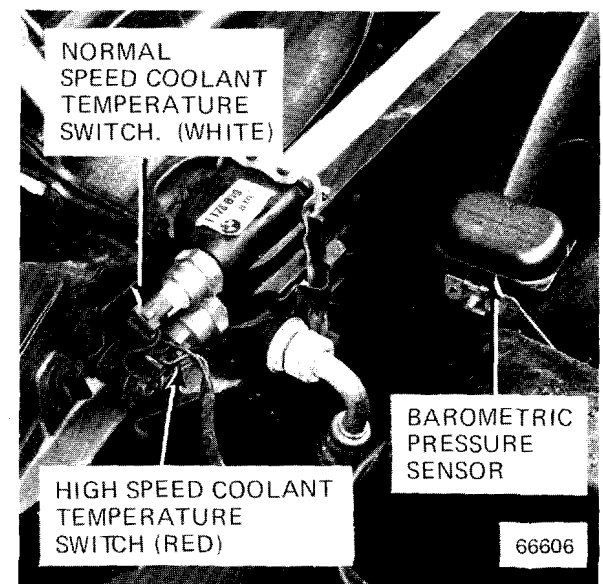


Figure 6—Top Left Rear of Radiator (325)

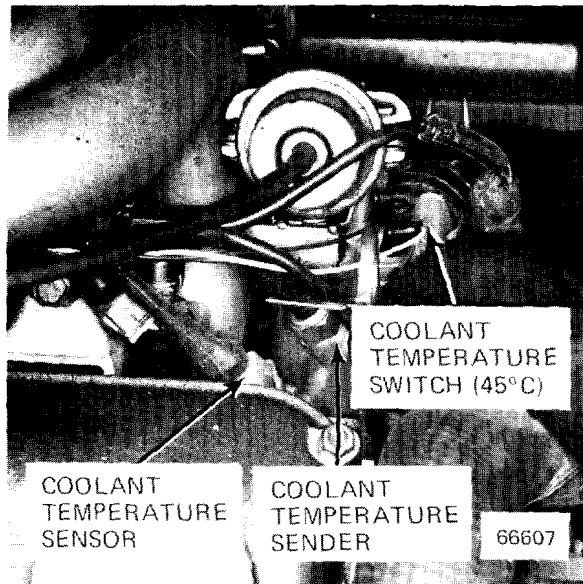


Figure 1—Top Front of Engine (325)

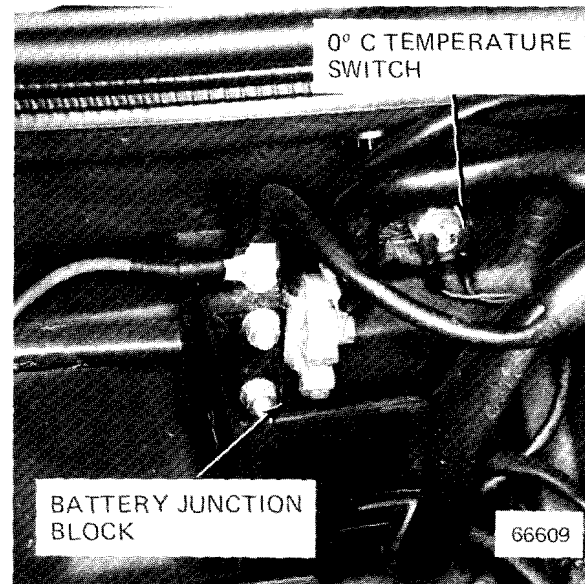


Figure 3—RH Side of Engine Bulkhead (325)

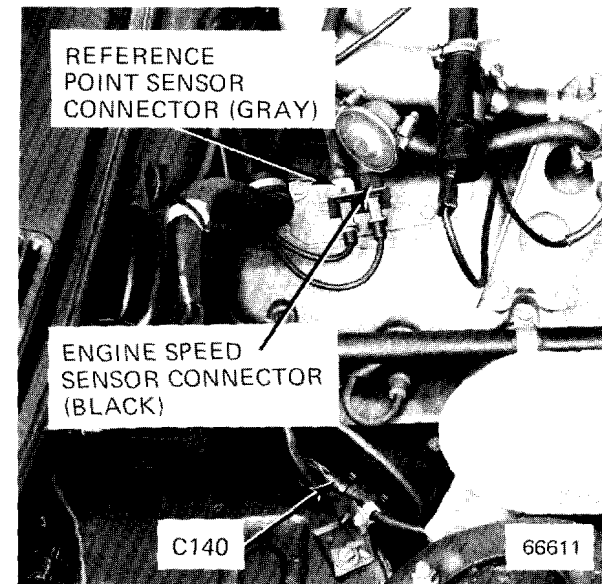


Figure 5—RH Rear Side of Engine (325)

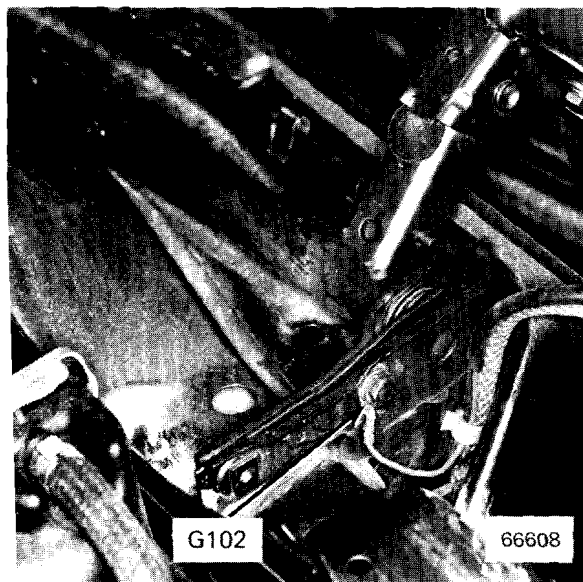


Figure 2—At RH Hood Hinge (325)

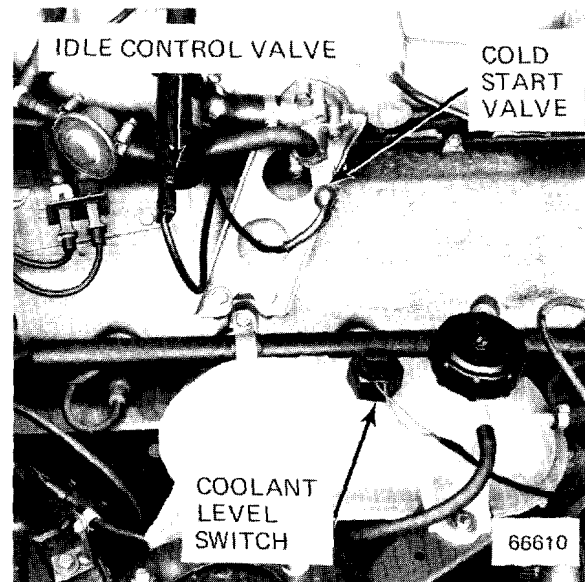


Figure 4—RH Rear Side of Engine (325)

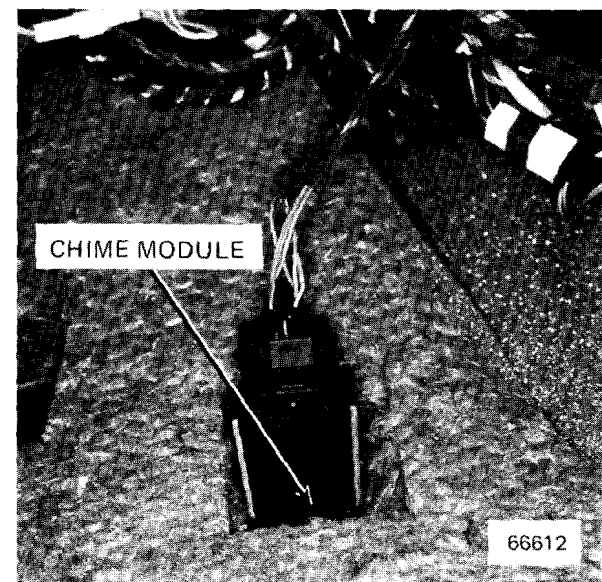


Figure 6—LH Under Dash Cover Lowered

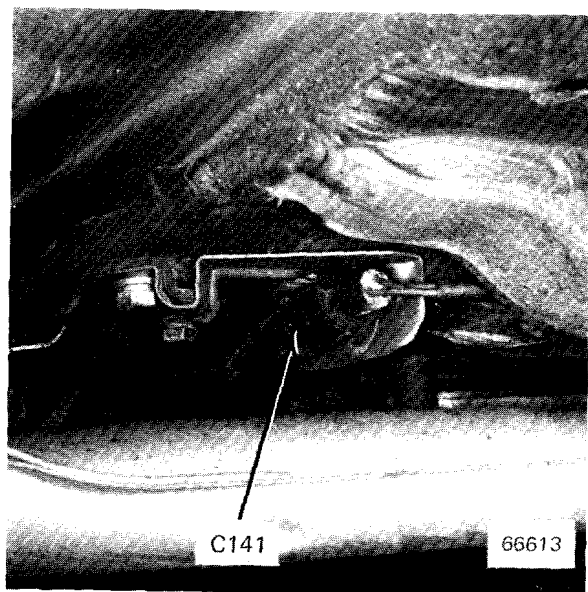


Figure 1—Under RH Side of Car Below Passenger Side

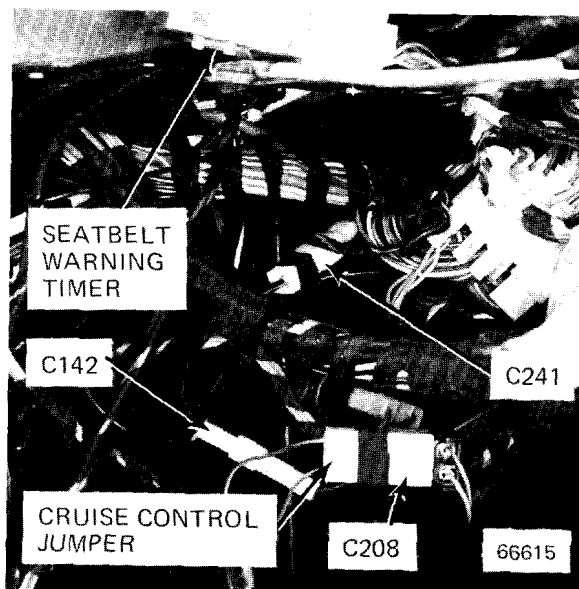


Figure 3—Under LH Side of Dash

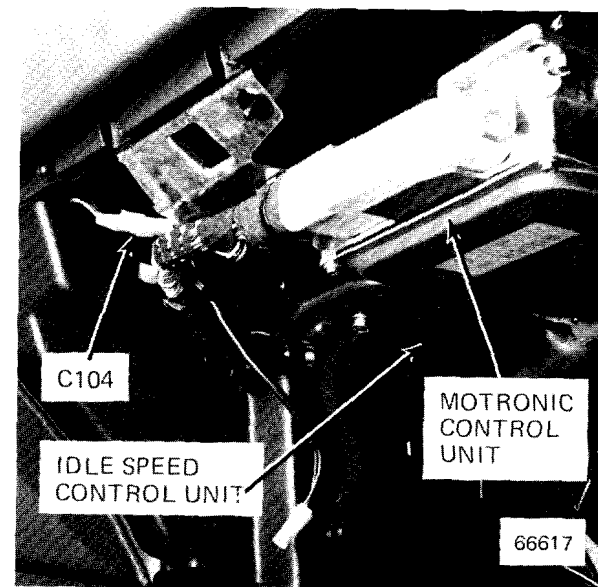


Figure 5—Under RH Side of Dash Above Glovebox (325)

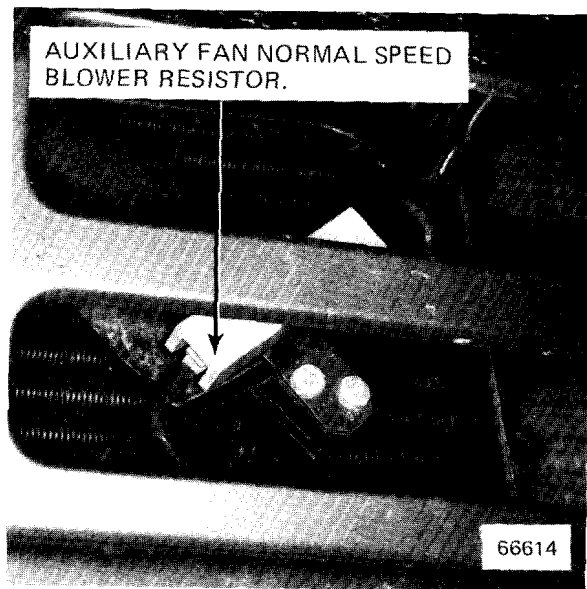


Figure 2—Front of A/C Condensor

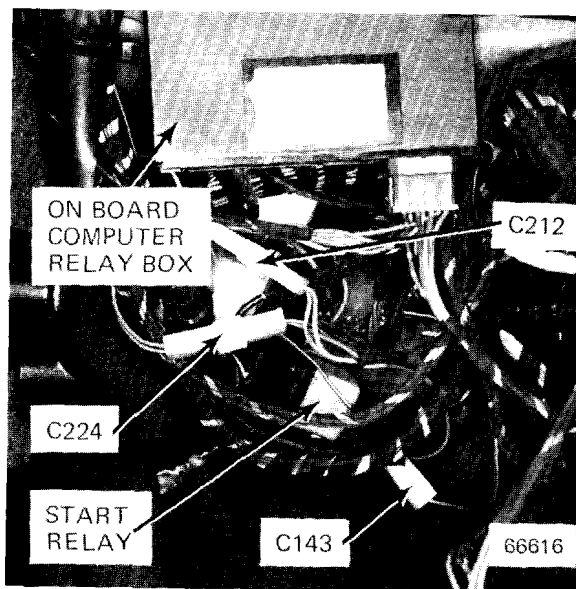


Figure 4—Under LH Side of Dash Near Hood Release Lever



Figure 6—Under RH Side of Dash Above Glovebox (325)