



1985

BMW 524TD

Electrical

Troubleshooting

Manual

BMW of North America, Inc.
Montvale, New Jersey

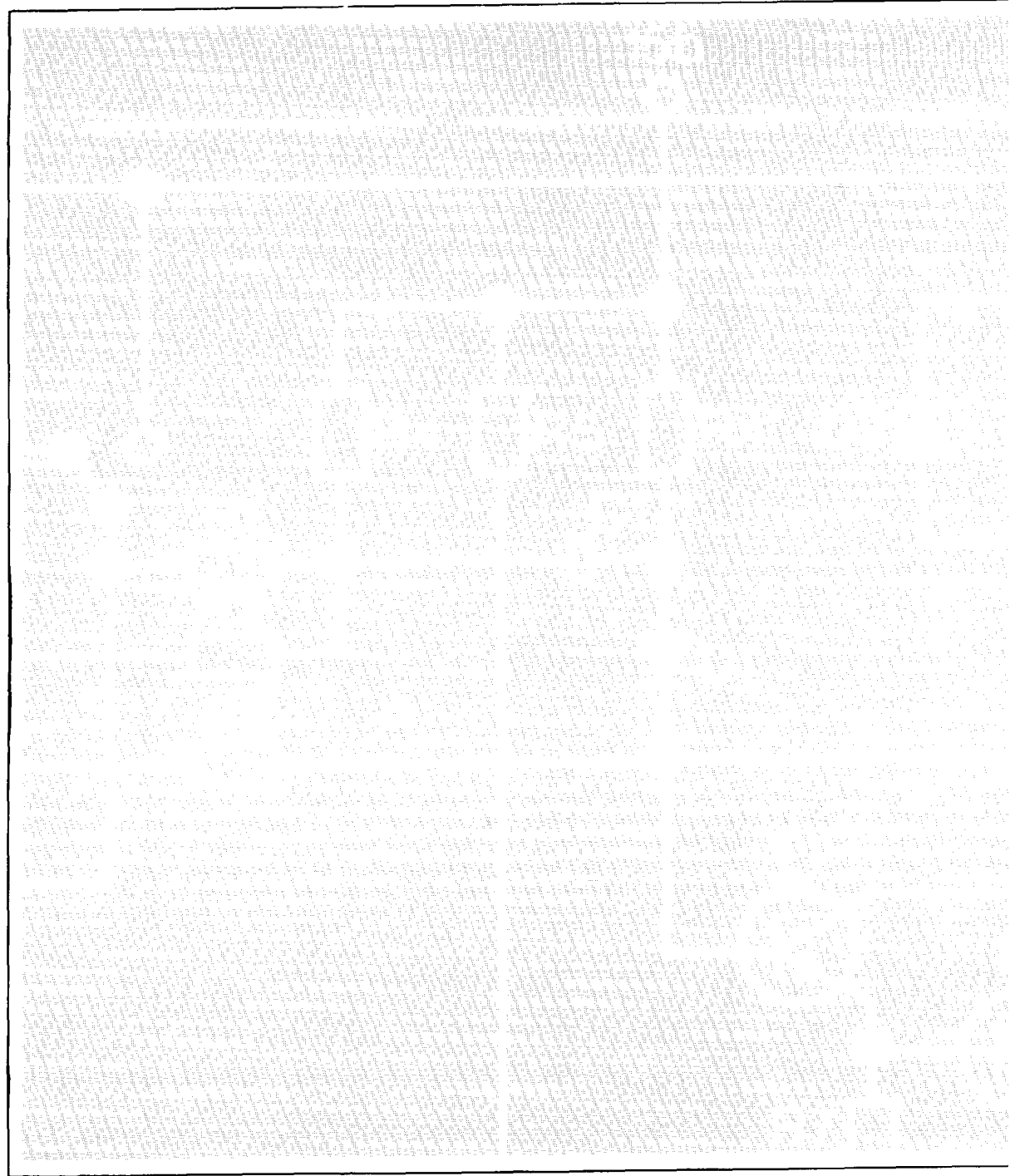
FOREWORD

In the interests of continuing technical development work we reserve the right to modify designs and equipment.

Printed in USA

©Copyright BMW of North America, Inc.

Not to be reproduced wholly or in part
without written permission of BMW of
North America, Inc.
PN 89 89 1 000 162



**1985
BMW 524TD
Electrical
Troubleshooting
Manual**

CONTENTS

Index	2
How To Use This Manual	3
Symbols	4
Wire Size Conversion Chart	5
Systematic Troubleshooting	6
Power Distribution Box	102
Accessory Connector	103
Diagnostic Connector	104
Schematic Diagrams	105
Component Charts and Figures	201

Index — Alphabetical Listing of Electrical Circuits

	PAGE		PAGE		PAGE
Active Check Control	128	— “Brake Lights” Fault	129	— Rear Marker	145
Air Conditioning		— “Brake Lining” Wear	132	— Stop Light	138
— Blower	156	— “Brake” Warning	126	— Tail	135
— Temperature Control	157	— “Charge”	124	— Transmission Range	140
Auto Charging Flashlight	144	— “Coolant” Level Fault	130	— Turn	136
Auxiliary Fan	158	— “Engine Oil” Fault	130	— Trunk	145
Brake Lining Warning	132	— Fasten Seatbelts	130	Light Switch Details	112
Central Locking	150	— Foglights	126	Power Antenna	155
Charging System	118	— Fuel Filter	130	Power Distribution	105
Cigar Lighter	144	— Highbeam	126	Power Distribution Box	106A
Connectors		— Injection	130	Power Mirrors	154
— Accessory	103	— Inspection	127	Power Seats	152
— Diagnostic	104	— LH Turn	126	Power Windows	148
Cruise Control	138	— “License Plate” Fault	129	Radio	155
Engine Block Diagrams	114	— “Low Beam” Fault	128	Rear Defogger	146
Evaporative Control	119	— Low Fuel Warning	125	Seatbelt Warning	131
Fuel Control	119	— Oil Pressure Warning	125	Service Internal Indicator	127
Fuel Delivery	120	— Oil Service	127	Speedometer	124
Fuel Gauge	125	— “Park Brake”	125	Splice Locations	164
Fuse Data	106B	— Pre-Heating	126	Start	
Fuse Details		— “Rear Lights” Fault	129	— Automatic	116
— Fuse 4	111	— RH Turn	126	— Manual	117
— Fuse 5	110	— Start	126	Sunroof	147
— Fuse 6	107	— “Washer Fluid” Fault	130	Temperature Gauge	125
— Fuse 11	108	Lights		Warnings	
— Fuse 12	109	— Ash Tray	141	— Ignition Key	131
— Fuse 13	111	— Backup	143	— Seatbelt	131
— Fuse 14	109	— Dash	140	Washer Jet Heaters	156
— Fuse 17	111	— Dome	142	Wiper/Washer	156
Gauges	124	— Fog	133		
Glow Plug Control	121	— Front Marker	135		
Ground Distribution	160	— Front Park	135		
Heated Door Lock	146	— Glove Box	144		
Heating		— Hazard Warning	136		
— Blower	156	— Headlights	133		
— Temperature Controls	157	— Heater A/C Panel	141		
Horn	147	— Interior	142		
Ignition Key Warning	131	— Instrument Cluster	140		
Indicators		— License	145		

The purpose of this manual is to show electrical schematics in a manner that makes electrical troubleshooting easier. Electrical components which work together are shown together on one schematic. The Wiper-Washer schematic, for example, shows all of the electrical components in one diagram. At the top of the page is the fuse (positive) that powers the circuit. The flow of current is shown through all wires, connectors, switches, and motors to ground (negative) at the bottom of the page.

Within the schematic, all switches and sensors are shown "at rest," as though the Ignition Switch were off. For identification, component names are underlined and placed next to or above each component. Notes are included, describing how switches and other components work.

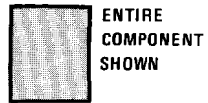
The power distribution schematic shows the current feed through all the connections from the Battery and Alternator to each fuse and the Ignition and Light Switches. If the Power Distribution schematic is combined with any other circuit schematic, a complete picture is made of how that circuit works. The Ground Distribution schematics show how several circuits are connected to common grounds.

All wiring between components is shown exactly as it exists in the vehicle; however, the wiring is not drawn to scale. To aid in understanding electrical operation, wiring inside complicated components has been simplified. The "Solid State" label designates electronic components.

WIRE SIZE CONVERSION CHART	
METRIC (CROSSSECTIONAL AREA IN MM ²)	AWG (AMERICAN WIRE GAUGE)
.5	20
.75	18
1	16
1.5	14
2	14
2.5	12
4	10
6	8
8	8
16	4
20	4
25	2
32	2

WIRE INSULATION	
ABBREVIATIONS	COLOR
BK	BLACK
BR	BROWN
RD	RED
YL	YELLOW
GN	GREEN
BU	BLUE
VI	VIOLET
GY	GRAY
WT	WHITE
PK	PINK

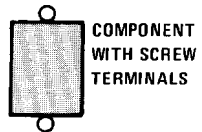
4 SYMBOLS



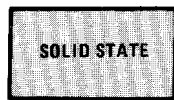
ENTIRE COMPONENT SHOWN



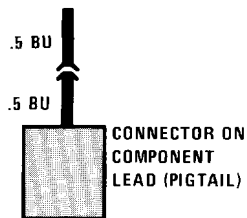
PART OF A COMPONENT SHOWN



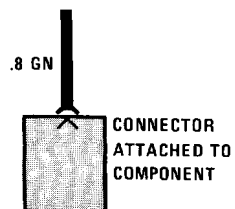
COMPONENT WITH SCREW TERMINALS



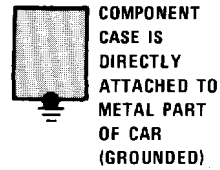
SOLID STATE (INCLUDES ONLY ELECTRONIC PARTS)



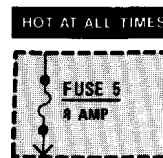
CONNECTOR ON COMPONENT LEAD (PIGTAIL)



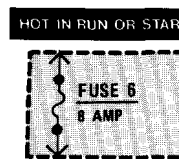
CONNECTOR ATTACHED TO COMPONENT



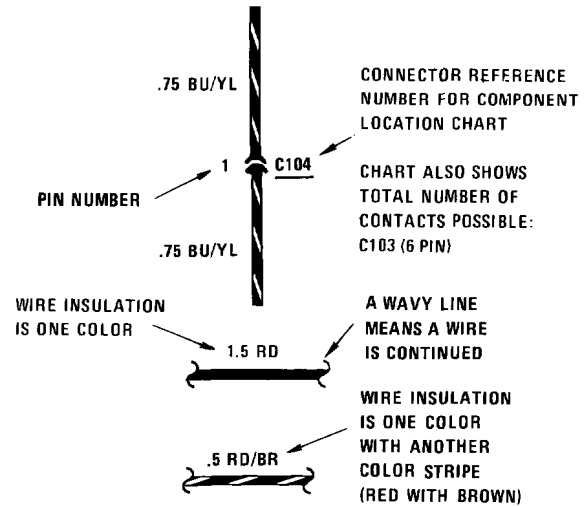
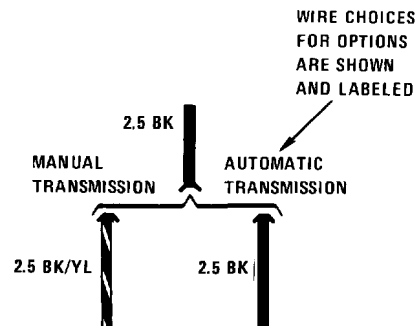
COMPONENT CASE IS DIRECTLY ATTACHED TO METAL PART OF CAR (GROUNDED)



INDICATES THAT FUSE 5 IS ALWAYS SUPPLIED WITH POWER



INDICATES THAT FUSE 6 IS SUPPLIED WITH POWER WITH THE IGNITION SWITCH IN THE RUN OR START POSITIONS

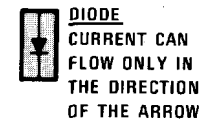
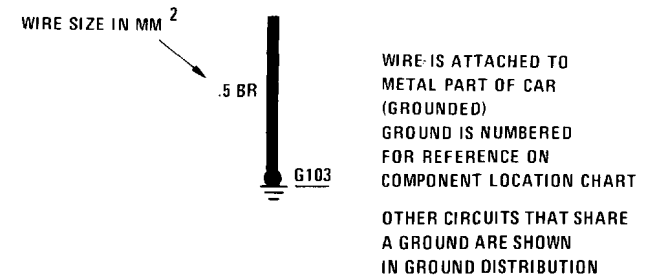


CONNECTOR REFERENCE NUMBER FOR COMPONENT LOCATION CHART

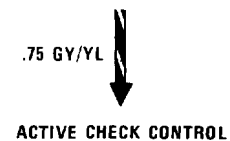
CHART ALSO SHOWS TOTAL NUMBER OF CONTACTS POSSIBLE: C103 (6 PIN)

A WAVY LINE MEANS A WIRE IS CONTINUED

WIRE INSULATION IS ONE COLOR WITH ANOTHER COLOR STRIPE (RED WITH BROWN)



CIRCUIT REFERENCE - A WIRE WHICH CONNECTS TO ANOTHER CIRCUIT

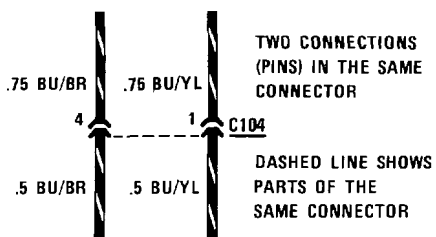




ONE POLE,
TWO POSITION
SWITCH

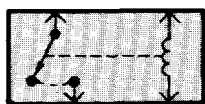


SWITCHES THAT
MOVE TOGETHER
DASHED LINE SHOWS
A MECHANICAL
CONNECTION
BETWEEN SWITCHES



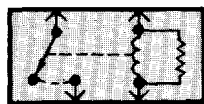
TWO CONNECTIONS
(PINS) IN THE SAME
CONNECTOR

DASHED LINE SHOWS
PARTS OF THE
SAME CONNECTOR



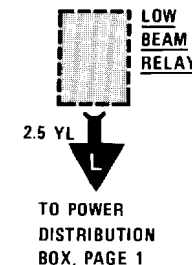
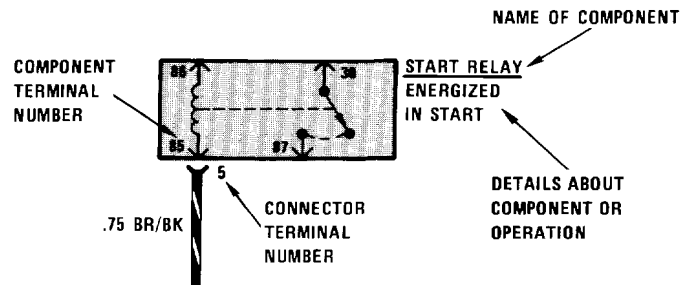
WHEN COIL IS
ENERGIZED, SWITCH
IS PULLED CLOSED

RELAY SHOWN
WITH NO
CURRENT
FLOWING
THROUGH
COIL

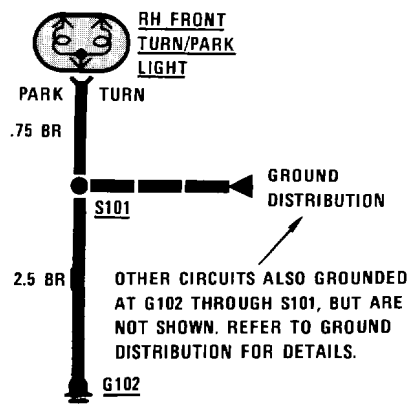
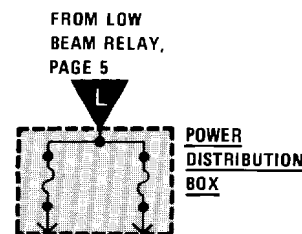
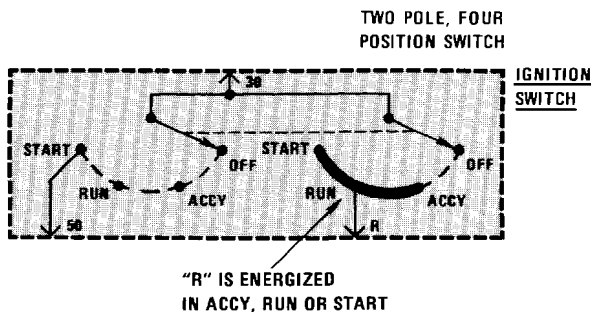


RESISTOR ACROSS COIL
IS FOR NOISE
SUPPRESSION

RELAY SHOWN
WITH RESISTOR
ACROSS COIL



CURRENT PATH
IS CONTINUED
AS LABELED.
THE ARROW SHOWS
DIRECTION OF CURRENT
FLOW AND IS REPEATED
WHERE CURRENT
PATH CONTINUES.



OTHER CIRCUITS ALSO GROUNDED
AT G102 THROUGH S101, BUT ARE
NOT SHOWN. REFER TO GROUND
DISTRIBUTION FOR DETAILS.



LIGHT
EMITTING
DIODE

6 SYSTEMATIC TROUBLESHOOTING

TROUBLESHOOTING PROCEDURE

1. Verify the Problem

Operate the problem circuit to check the accuracy of the complaint. Note the symptoms of the inoperative circuit.

2. Analyze the Problem

Refer to the schematic of the problem circuit in the ETM. Determine how the circuit is supposed to work by tracing the current path(s) from the power feed through the circuit components to ground. Then based on the symptoms you noted in step 1 and your understanding of circuit operation, identify one or more possible causes of the problem.

3. Isolate the Problem

Make circuit tests to prove or disprove the preliminary diagnosis made in step 2. Keep in mind that a logical simple procedure is the key to efficient troubleshooting. Test for the most likely cause of failure first. Try to make tests at points which are easily accessible.

4. Repair the Problem

Once the specific problem is identified, make the repair using the proper tools and safe procedures.

5. Check the Problem

Operate the circuit to check for satisfactory circuit operation. Good repair practice calls for rechecking all circuits you have worked on.

TROUBLESHOOTING TOOLS

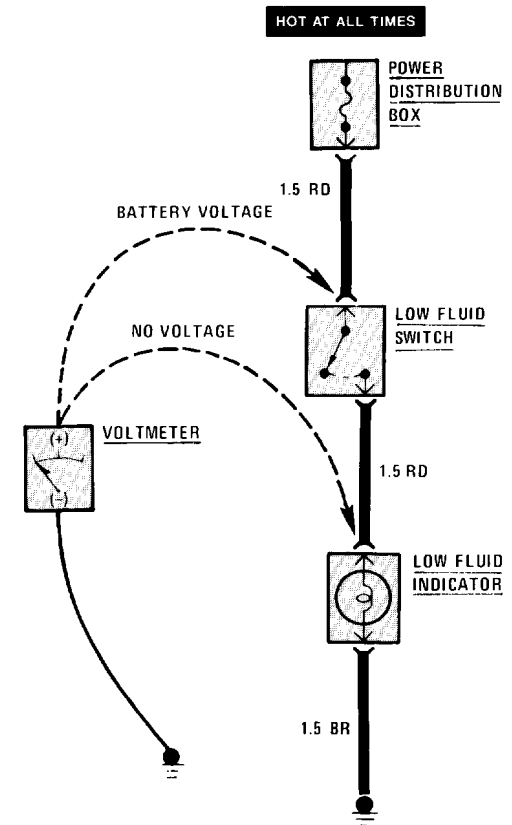
Isolating the problem (Step 3 of TROUBLESHOOTING PROCEDURES) requires the use of a **voltmeter** and/or **ohmmeter**. A voltmeter measures voltage at selected points in a circuit. An ohmmeter measures a circuit's resistance to current flow. It has an internal battery that provides current to the circuit under test. Disconnect the car battery when using an ohmmeter because the battery voltage will cause the ohmmeter to give false readings. Also, do not use an ohmmeter on solid-state components. The voltage that the ohmmeter applies to the circuit could damage these components.

TROUBLESHOOTING TESTS

Voltage Test

This test measures voltage in a circuit. By taking measurements at several points (terminals or connectors) along the circuit, you can isolate the problem.

To take a voltage measurement, connect the negative lead of the voltmeter to the battery's negative terminal or other known good ground. Then connect the positive lead of the voltmeter to the point you want to test. The voltmeter will measure the voltage present at that point in the circuit.

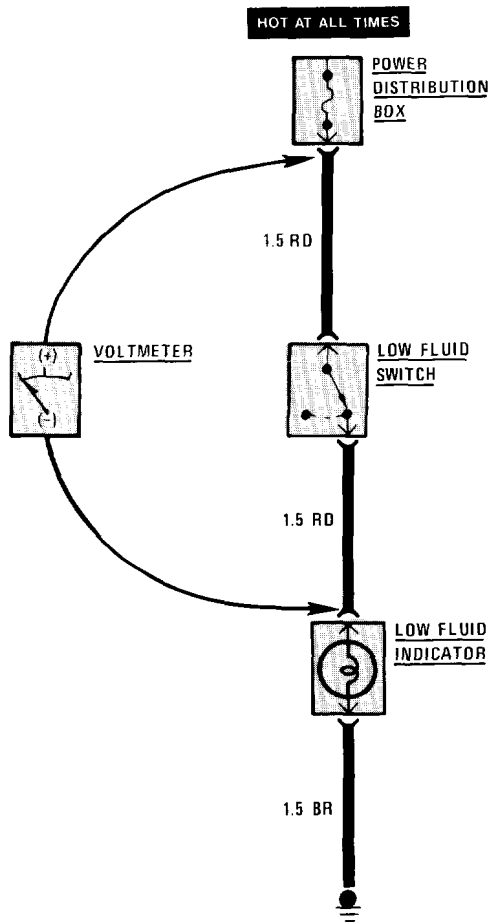


Voltage Test

Voltage Drop Test

Wires, connectors, and switches are designed to conduct current with a minimum loss of voltage. A voltage drop of more than one volt indicates a problem.

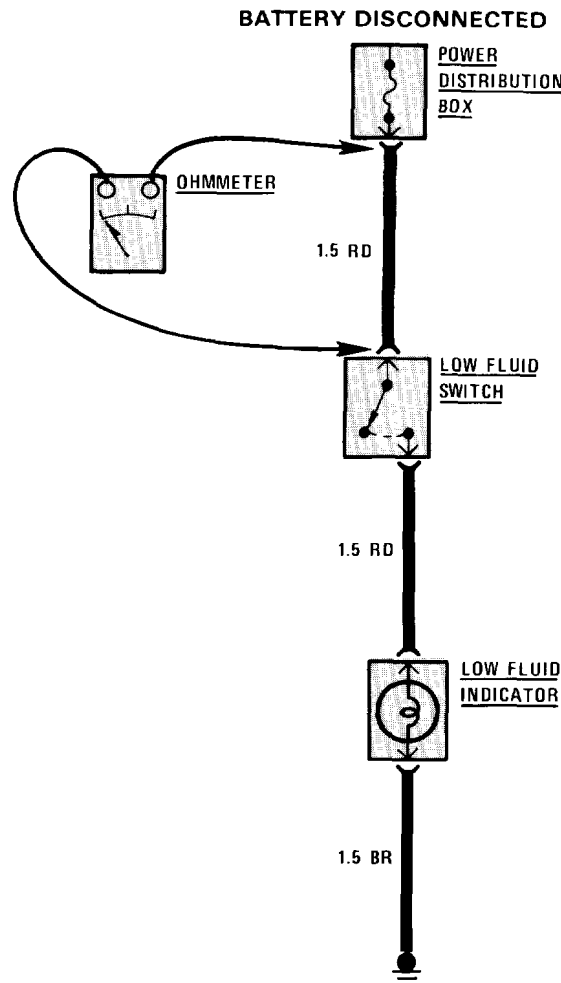
To test for voltage drop, connect the voltmeter leads to connectors at either end of the circuit's suspected problem area. The positive lead should be connected to the connector closest to the power source. The voltmeter will show the voltage drop between these two points.



Voltage Drop Test

Continuity Test

To perform a continuity test, first disconnect the car battery. Then adjust the ohmmeter to read zero while holding the leads together. Connect the ohmmeter leads to connector or terminals at either end of the circuit's suspected problem area. The ohmmeter will show the resistance across that part of the circuit.

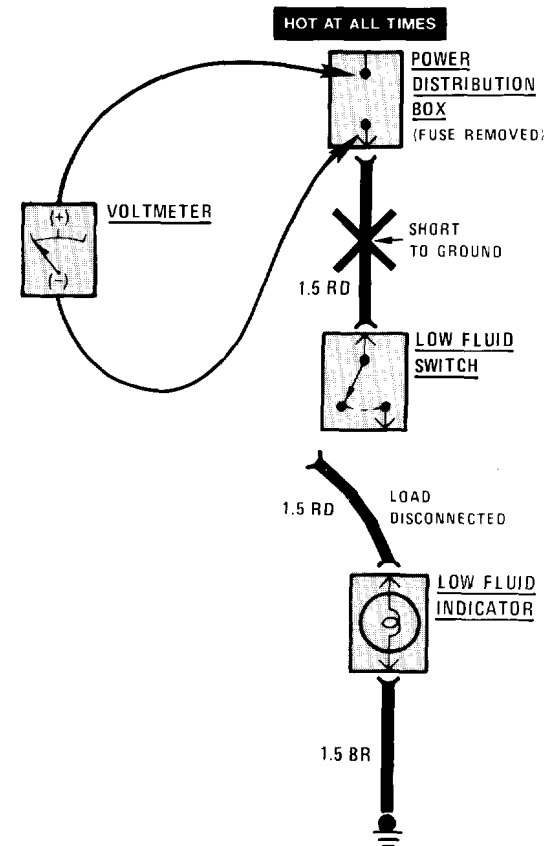


Continuity Test

Short Test Using Voltmeter

Remove the blown fuse and disconnect the load. Connect the voltmeter leads to the fuse terminals. The positive lead should be connected to the terminal closest to the power source.

Starting near the POWER DISTRIBUTION BOX, move the wire harness back and forth and watch the voltmeter reading. If the voltmeter registers a reading, there is a short to ground in the wiring. Somewhere in the area of the harness being moved, the wire insulation is worn away and the circuit is grounding.



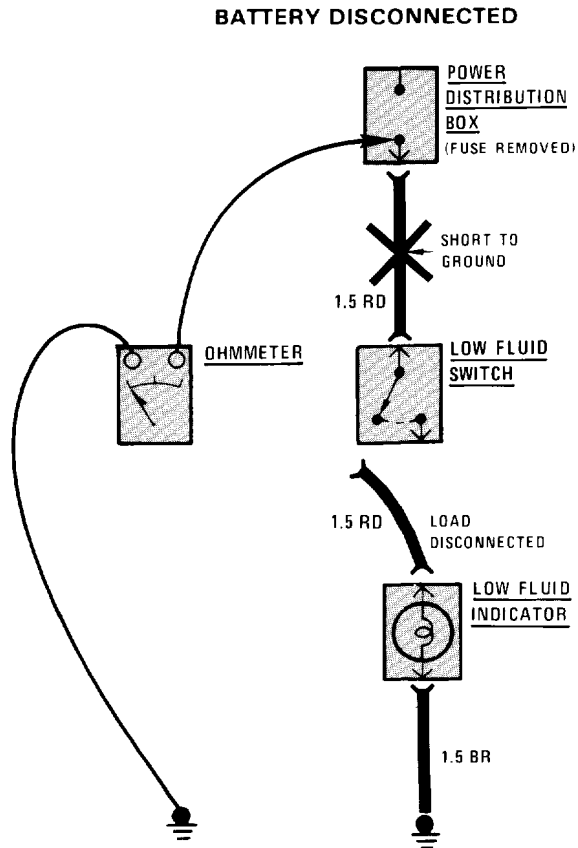
Short Test Using Voltmeter

8 SYSTEMATIC TROUBLESHOOTING

Short Test Using Ohmmeter

Disconnect the battery. Adjust the ohmmeter to read zero while holding the leads together. Remove the blown fuse and disconnect the load. Connect one lead of the ohmmeter to the fuse terminal that is closest to the load. Connect the other lead to a known good ground.

Starting near the POWER DISTRIBUTION BOX, move the wire harness back and forth and watch the ohmmeter reading. Low or no resistance indicates a short to ground in the wiring. Infinitely high resistance indicates no short.



Short Test Using Ohmmeter

BLANK

BLANK

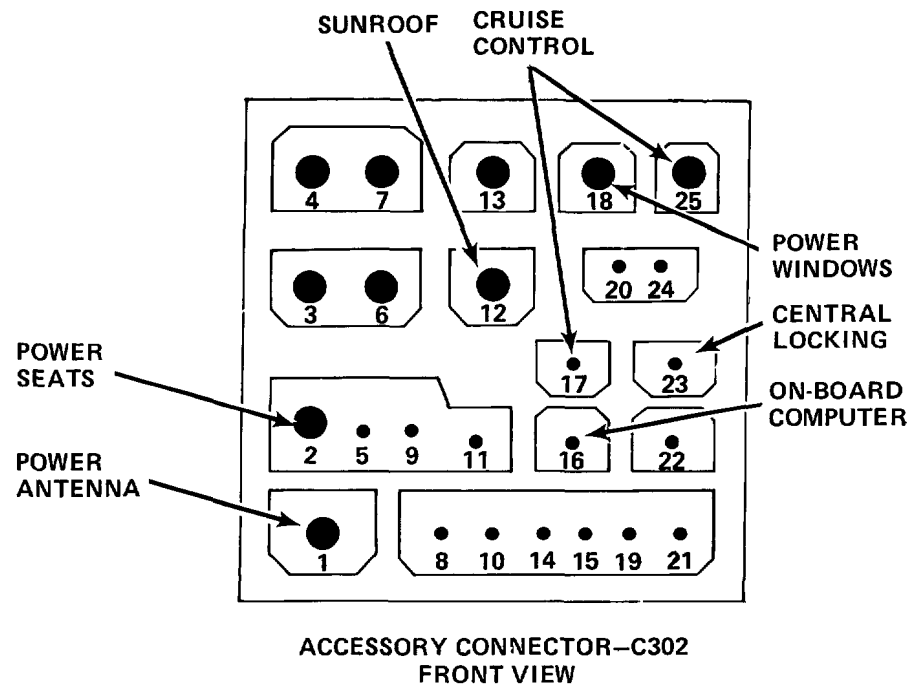
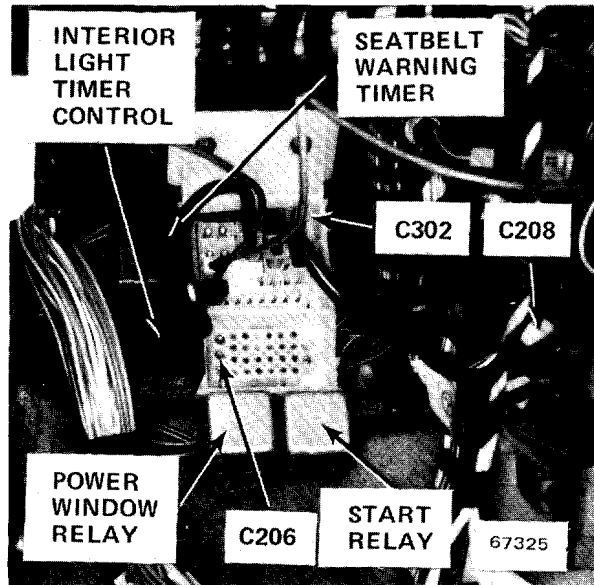
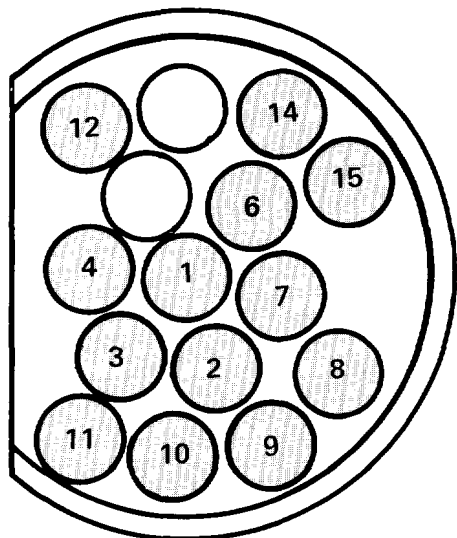


Figure 1 - Under Left Side Of Dash

104 DIAGNOSTIC CONNECTOR



DIAGNOSTIC CONNECTOR FACE

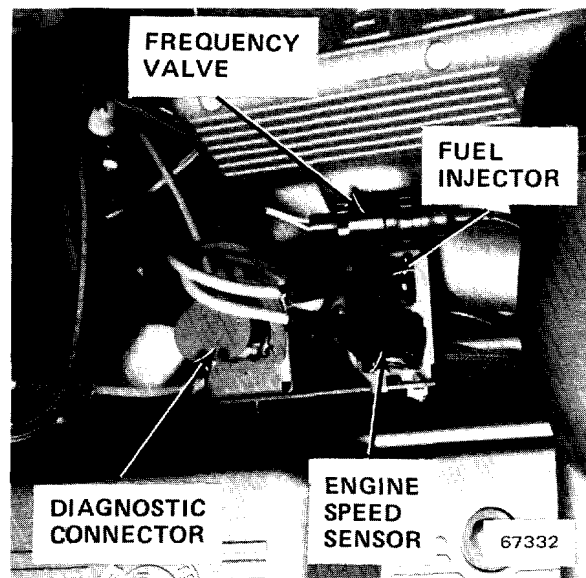
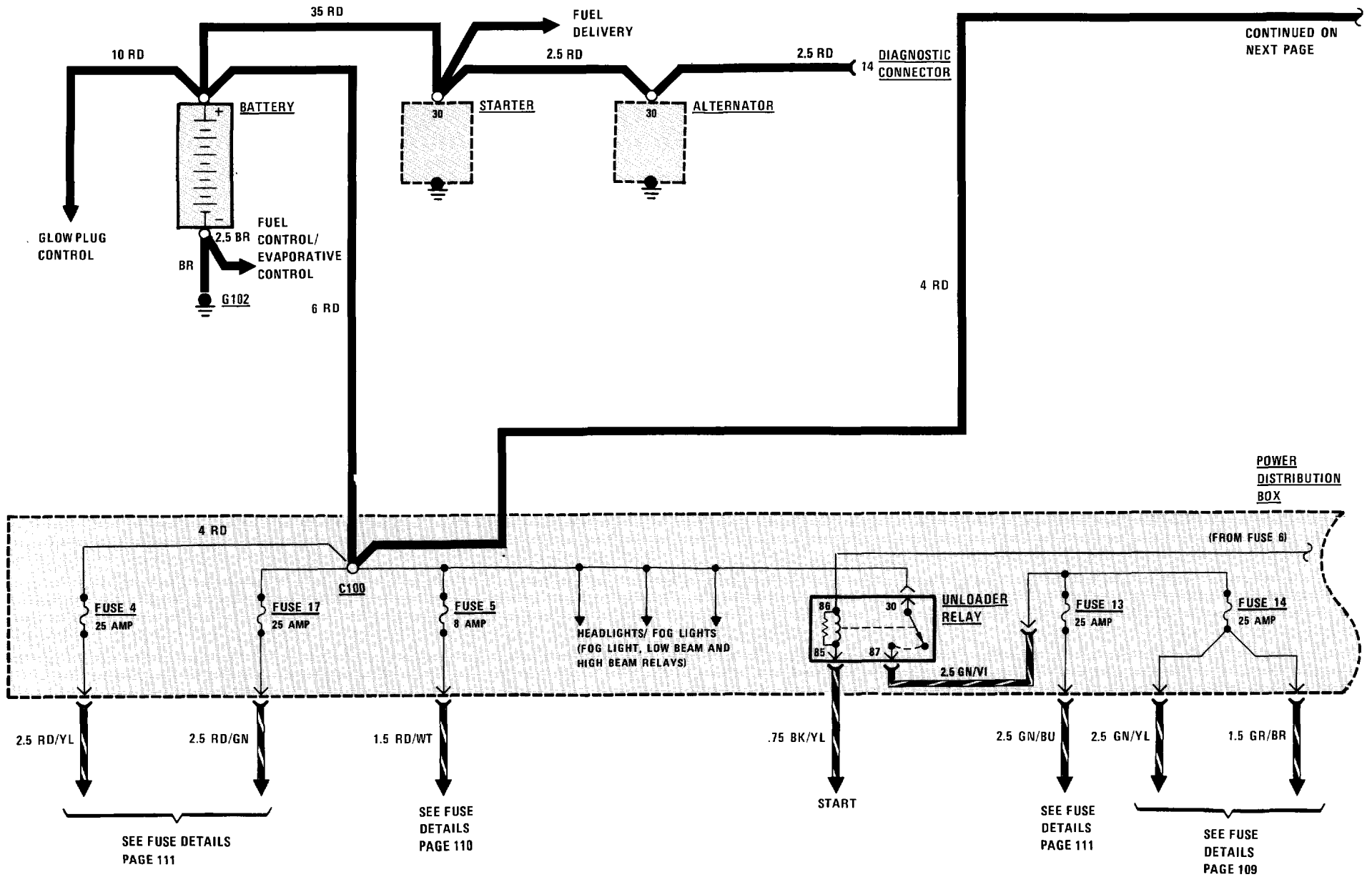


Figure 1 - Top Of Engine

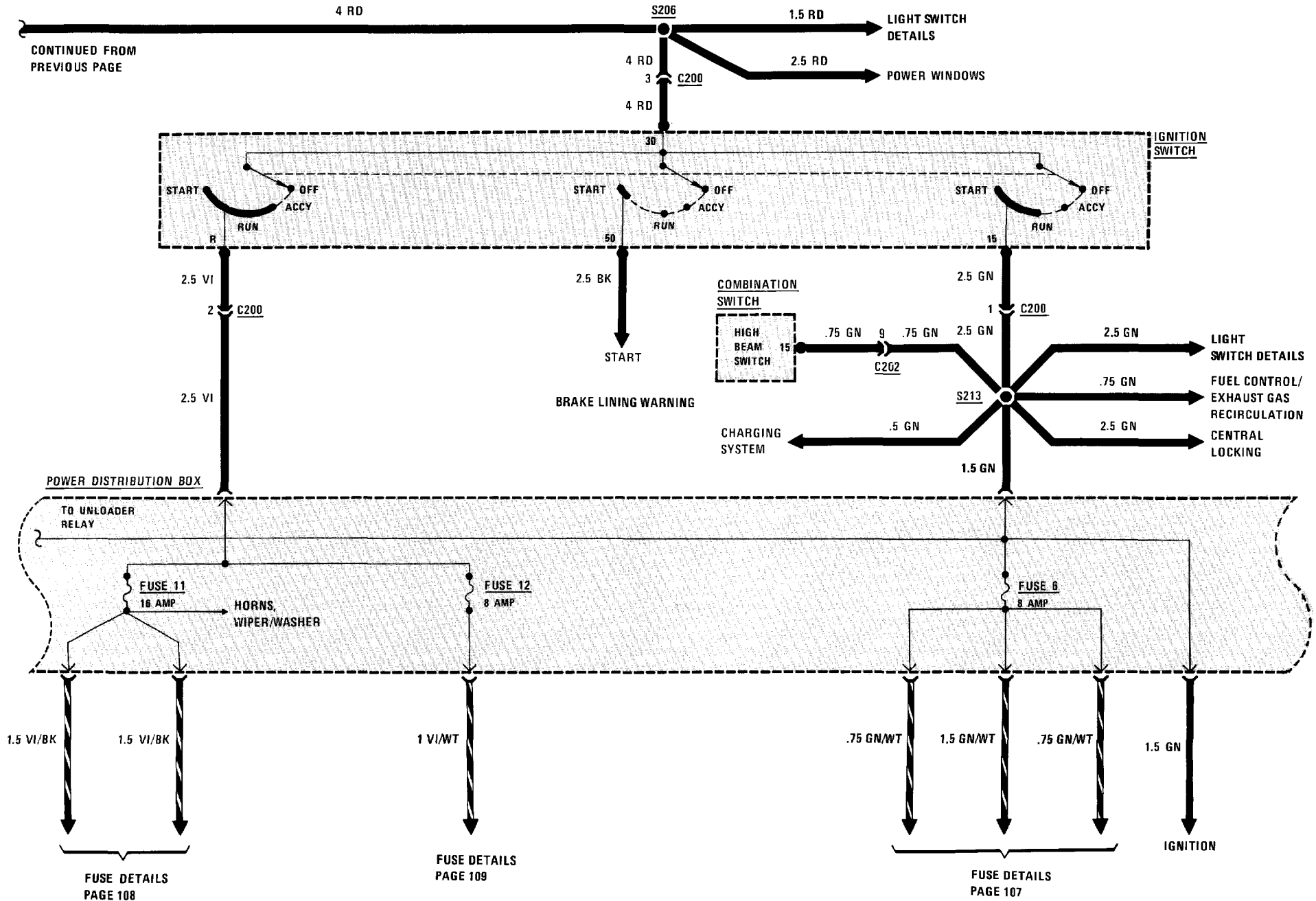
PIN	WIRE SIZE	WIRE COLOR	CIRCUIT AND COMPONENT CONNECTED
1	2.5	BR	Ground Distribution, G 103.
2	.5	YL	Fuel Control, Fuel Injector.
3	.5	BK	Fuel Control, Fuel Injector.
4	.75	BR/WT	Gauges/Warning Indicators, Coolant Temperature Sender
6	.75	WT/BK	Not Used.
7	.75	WT/BU	Service Interval Indicator, Service Interval Processor (Reset).
8	.5	YL	Fuel Delivery, TDC Sensor.
9		SHIELD	Fuel Delivery, TDC Sensor.
10	.5	BK	Fuel Delivery, TDC Sensor.
11	2.5	BK/YL	Start, Start Signal.
12	.75	BU	Charge System, Alternator.
14	2.5	RD	Charge System, Alternator.
15	2.5	GN	Evaporative Control, Main Relay.

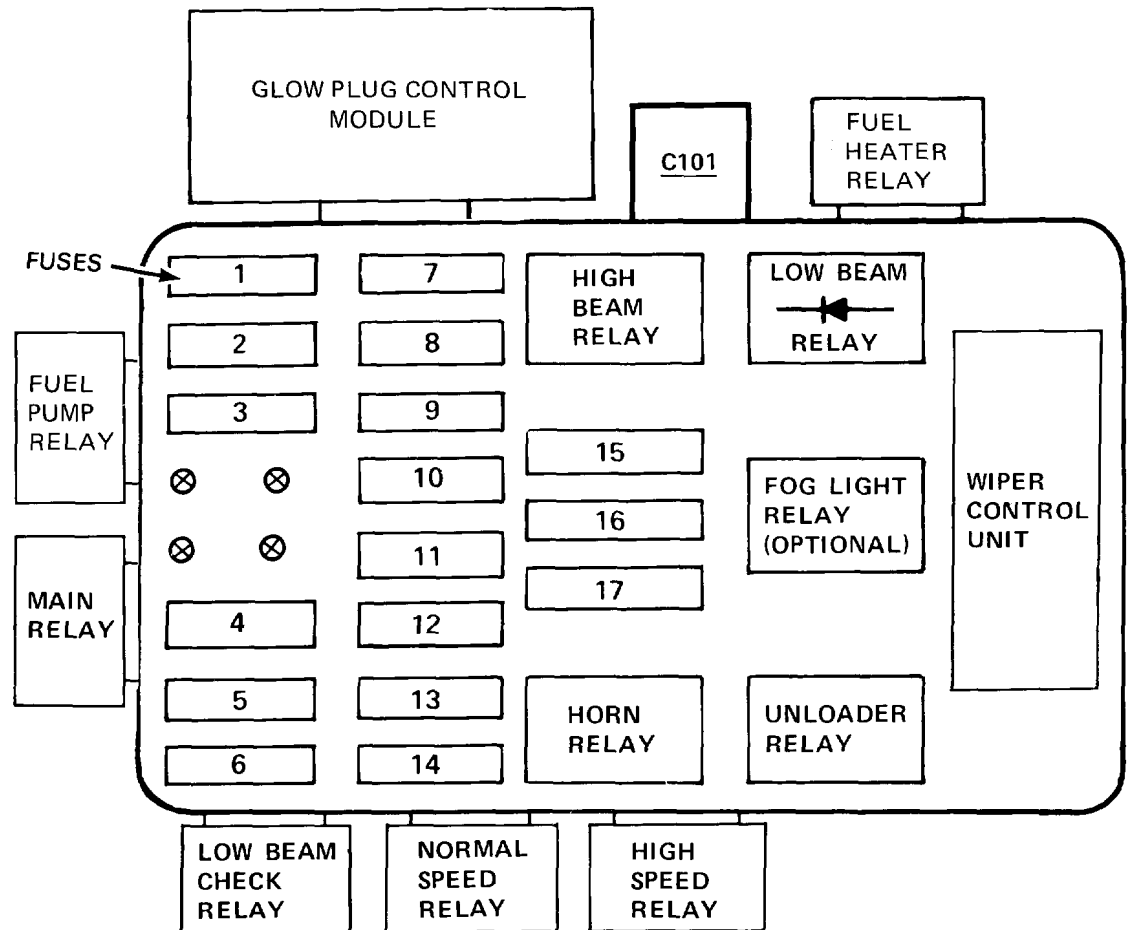
(For Component Locations See Page 210)



106 POWER DISTRIBUTION

(For Component Location See Page 210)





NOTE

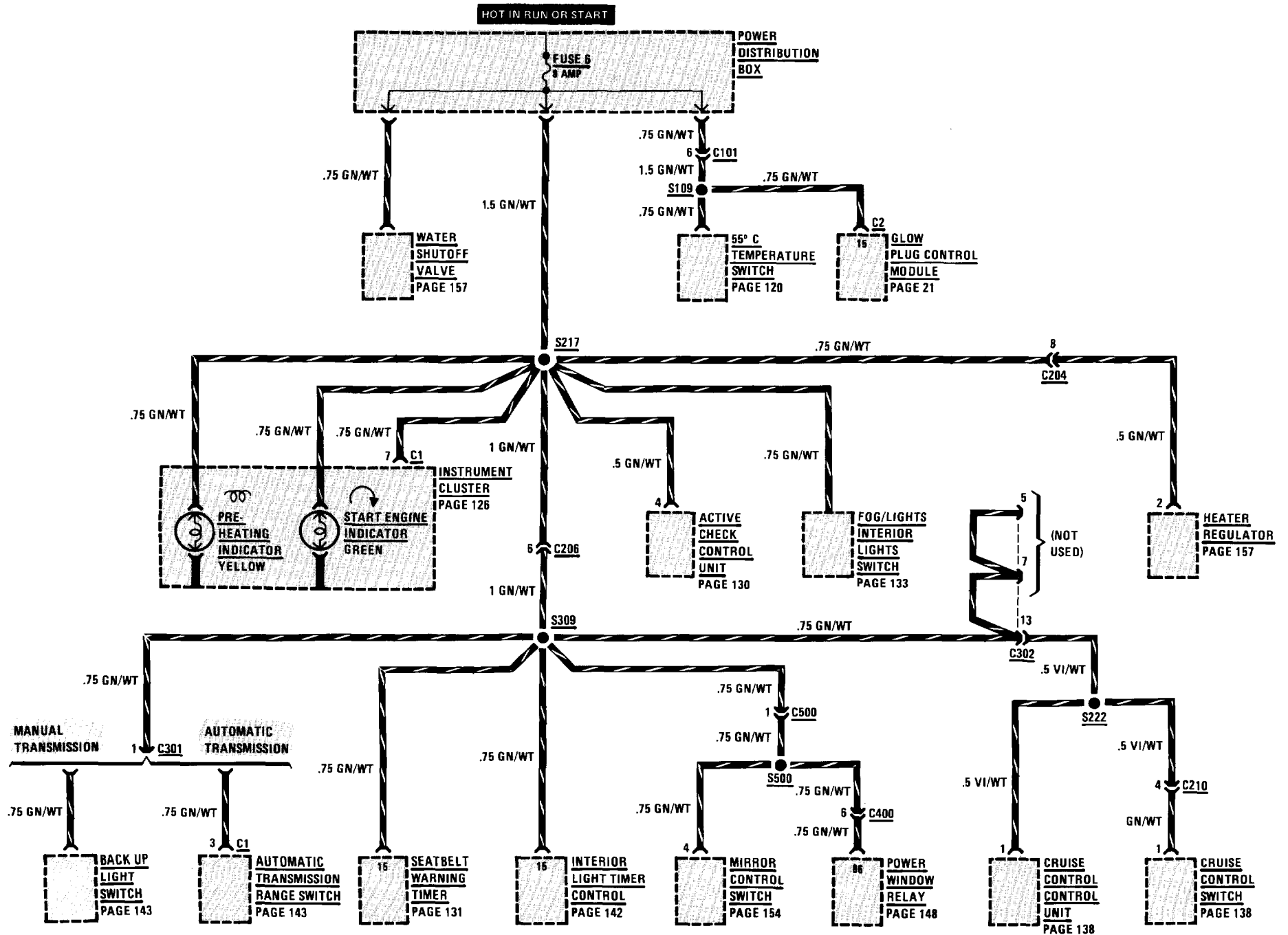
On some cars, the position of the side mounted relays may be interchanged on their respective sides. Check relay wire colors for positive identification.

Figure 1- Top Of Left Front Wheel Well

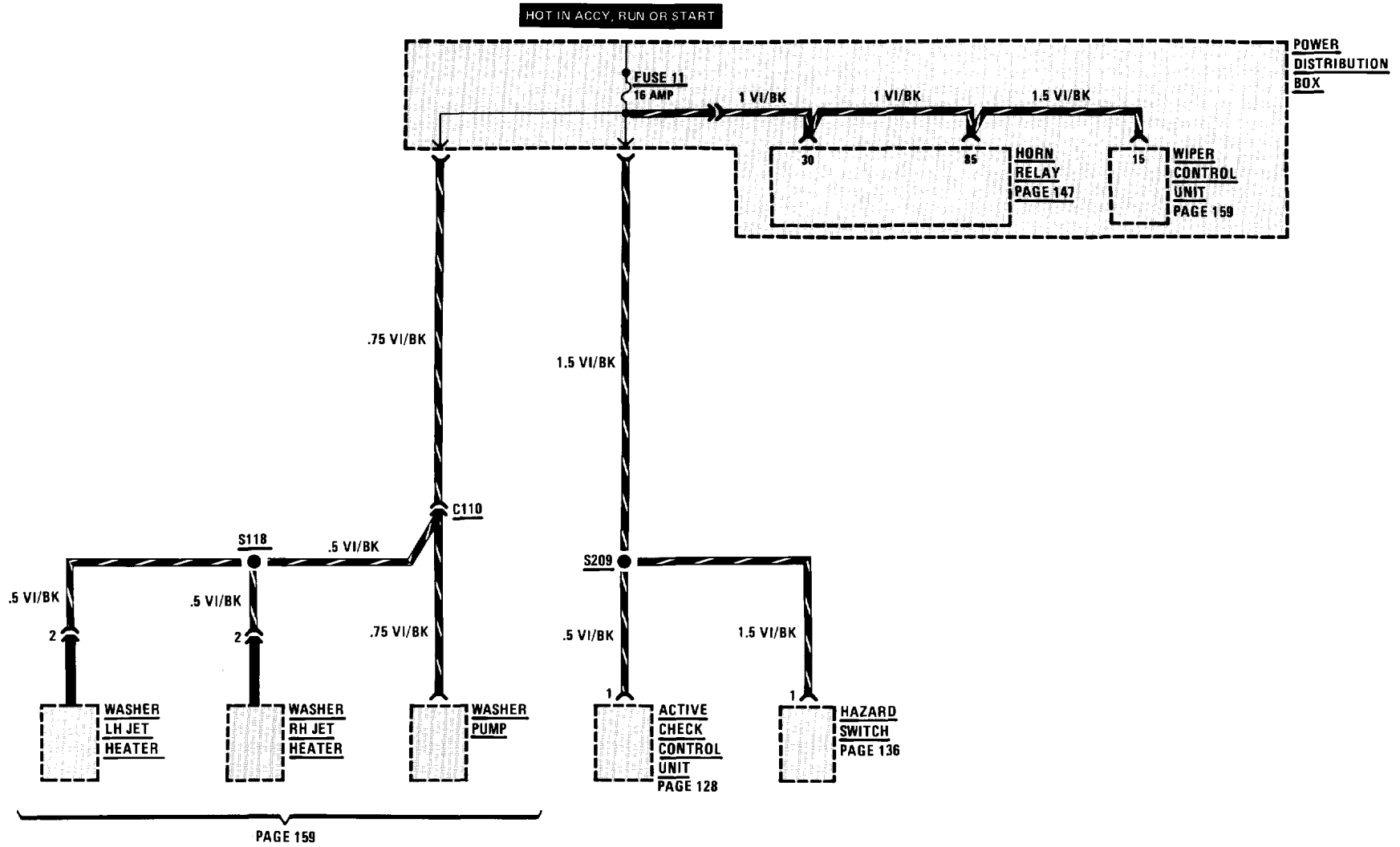
106B FUSE DATA

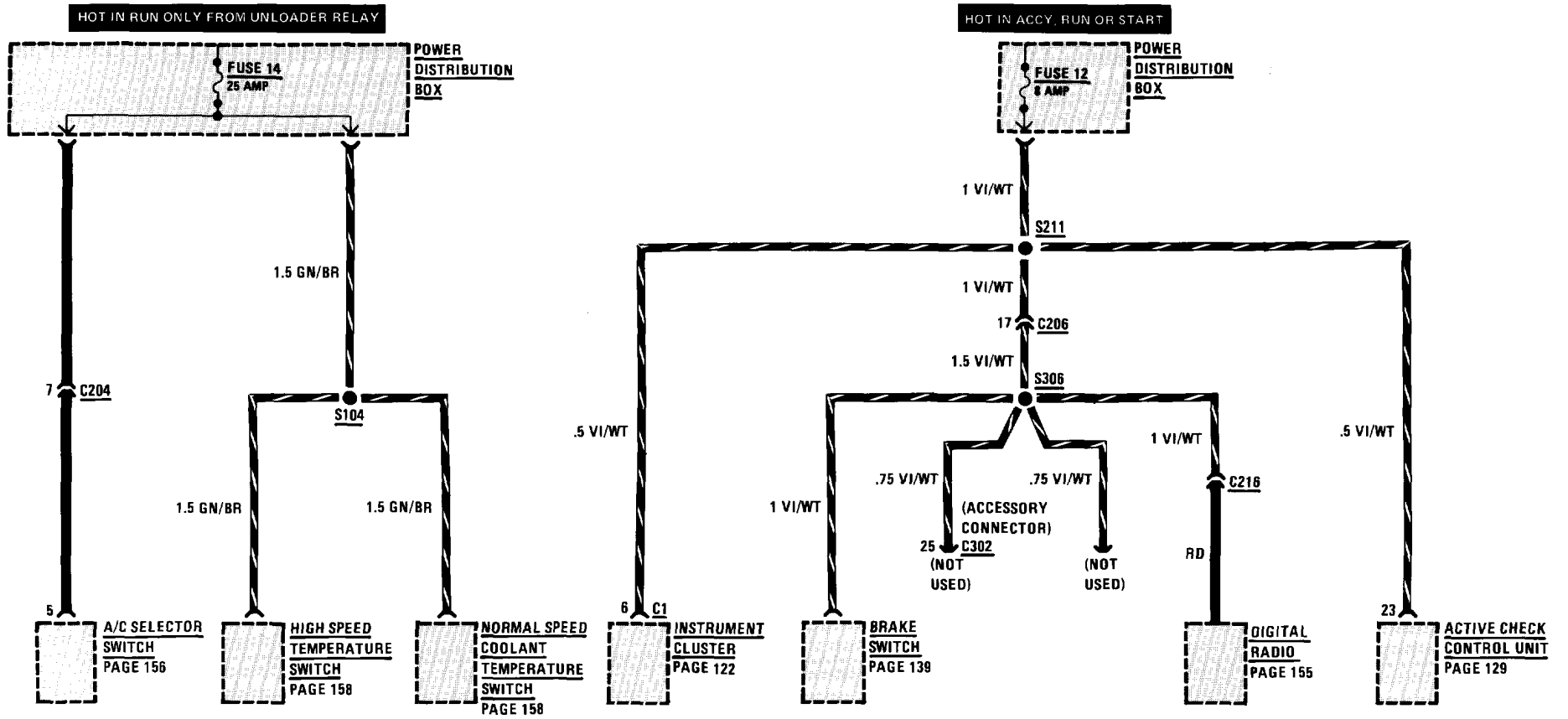
FUSE NO.	SIZE/ COLOR	CIRCUIT NAME
1	16A (RD)	Fuel Delivery/Evaporative Control.
2	8A (WT)	Active Check Control (also fuse 5, 6, 9, 10, 11, 12); Headlights (RH Low Beam).
3	8A (WT)	Active Check Control (also fuses 5, 6, 9, 10, 11, 12); Headlights (LH Low Beam).
4	25 (BU)	Cigar Lighter. Radio/Power Antenna (also fuses 5, 12); Power Seats.
5	8A (WT)	Active Check Control (also fuses 2, 3, 6, 9, 10, 11, 12) Heated Door Lock Ignition Key Warning/Seatbelt Warning (also fuse 6); Interior Lights (also fuse 6); Lights: Turn/Hazard Warning (also fuse 11); Lights: Trunk; Glove Box/Auto-Charging Flashlight; Central Locking; On-Board Computer (also fuses 6, 12); Radio/Power Antenna (also fuses 4, 12); Service Interval Indicator (also fuse 6).
6	8A (WT)	Active Check Control (also fuses 2, 3, 5, 9, 10, 11, 12); Back Up Lights/Transmission Range Lights; Fuel Delivery Cruise Control (also fuse 12); Dash Lights (also fuse 9, 14); Fog Lights (also fuses 15, 16); Gauges (also fuse 5); Heater/Air Conditioning (also fuse 14); Idle Speed Control; Ignition; Interior Lights (also fuse 5); On-Board Computer (also fuses 5, 12); Power Mirrors; Power Windows (also Power Window Circuit Breaker); Seatbelt Warning (also fuse 5); Glow Plug Control Speedometer; Warning Indicators
7	8A (WT)	Headlights (RH High Beams).

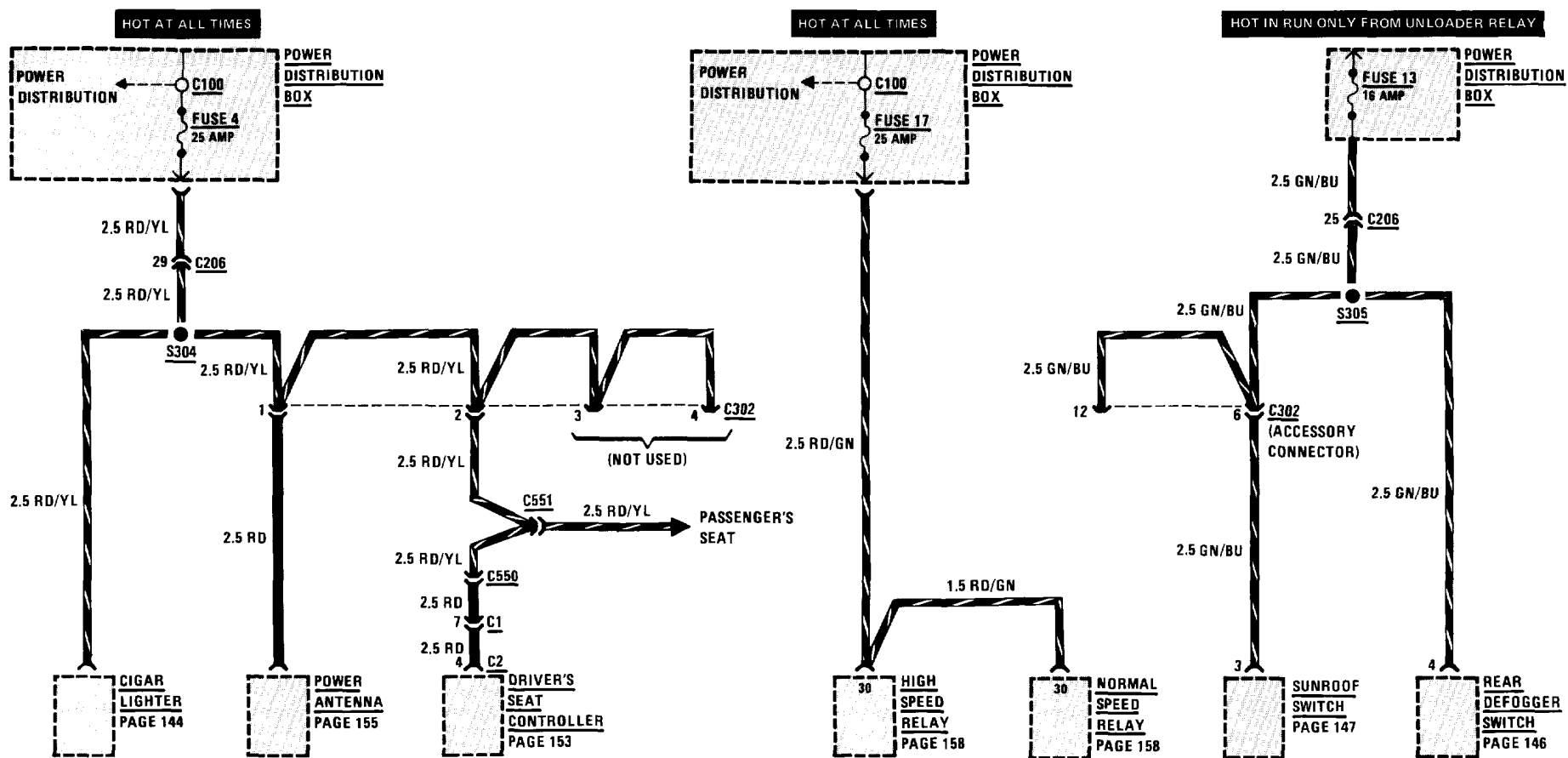
FUSE NO.	SIZE/ COLOR	CIRCUIT NAME
8	8A (WT)	Headlights (LH High Beams)
9	8A (WT)	Active Check Control (also fuses 2, 3, 5, 6, 10, 11, 12); Dash Lights (also fuses 6, 14); Lights: Front Park/Front Marker/Tail. Lights: Rear Marker/License.
10	8A (WT)	Active Check Control (also fuse 2, 3, 5, 6, 9, 11, 12); Lights: Front Park/Front Marker/Tail. Lights: Rear Marker/License
11	16A (RD)	Active Check Control (also fuse 2, 3, 5, 6, 9, 11, 12); Lights: Turn/Hazard Warning (also fuse 5); Wiper/Washer and Heater Washer Jets. Horn.
12	8A (WT)	Active Check Control (also fuses 2, 3, 5, 6, 9, 10, 11); Cruise Control (also fuse 6); Radio (also fuses 4, 5); Stoplights; On-Board Computer (also fuses 5, 6); Power Antenna (also fuses 4, 5).
13	16A (BU)	Rear Defogger; Sunroof.
14	25A (BU)	Auxiliary Fan (also fuse 17); Dash Lights (also fuses 6, 9); Heater/Air Conditioning (also fuse 6).
15	8A (WT)	Fog Lights (RH).
16	8A (WT)	Fog Lights (LH).
17	25A (BU)	Auxiliary Fan (also fuse 14).
Power Window Circuit Breaker	25A	Power Windows (also fuse 6).



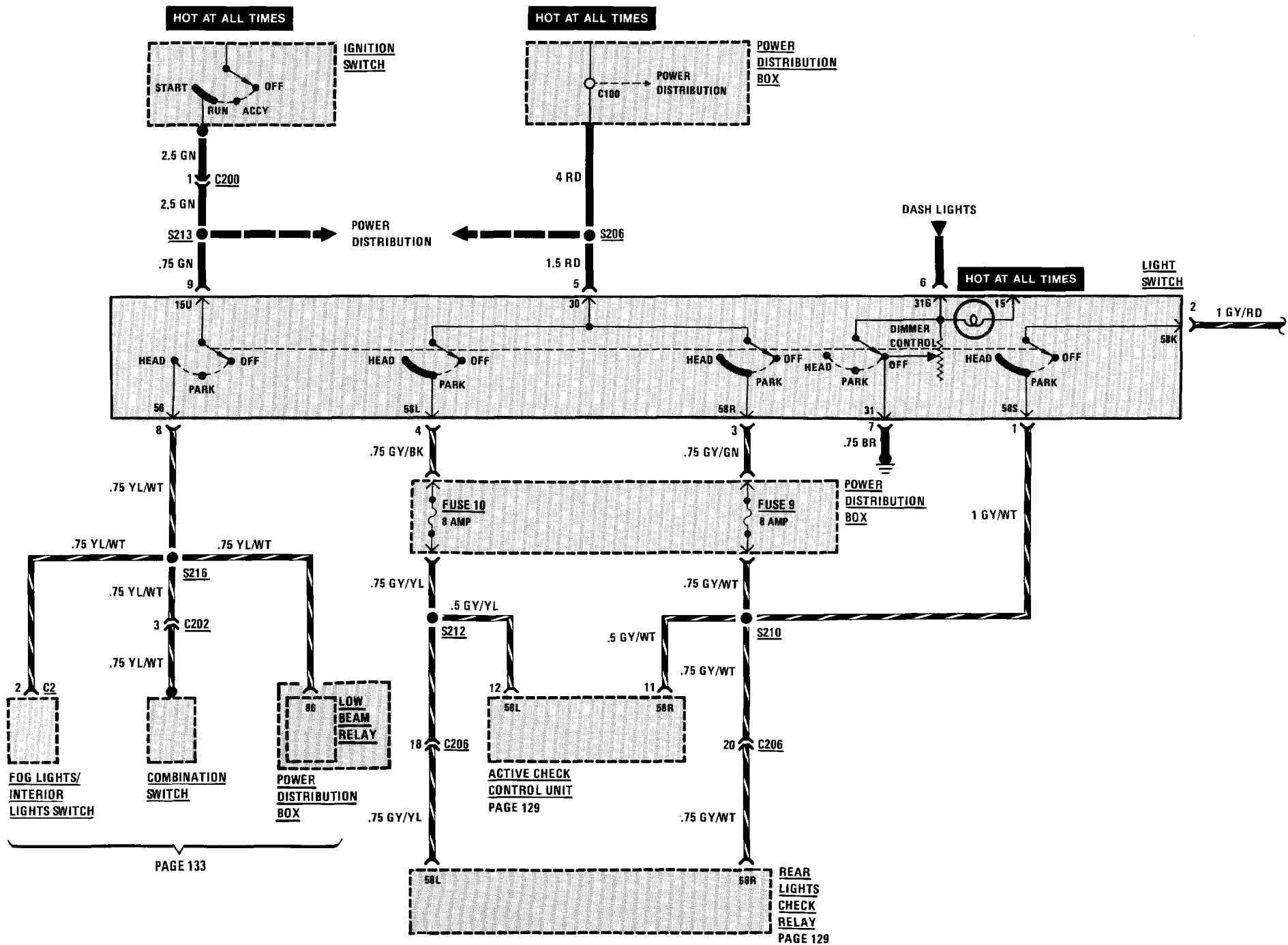
108 FUSE DETAILS: FUSE 11





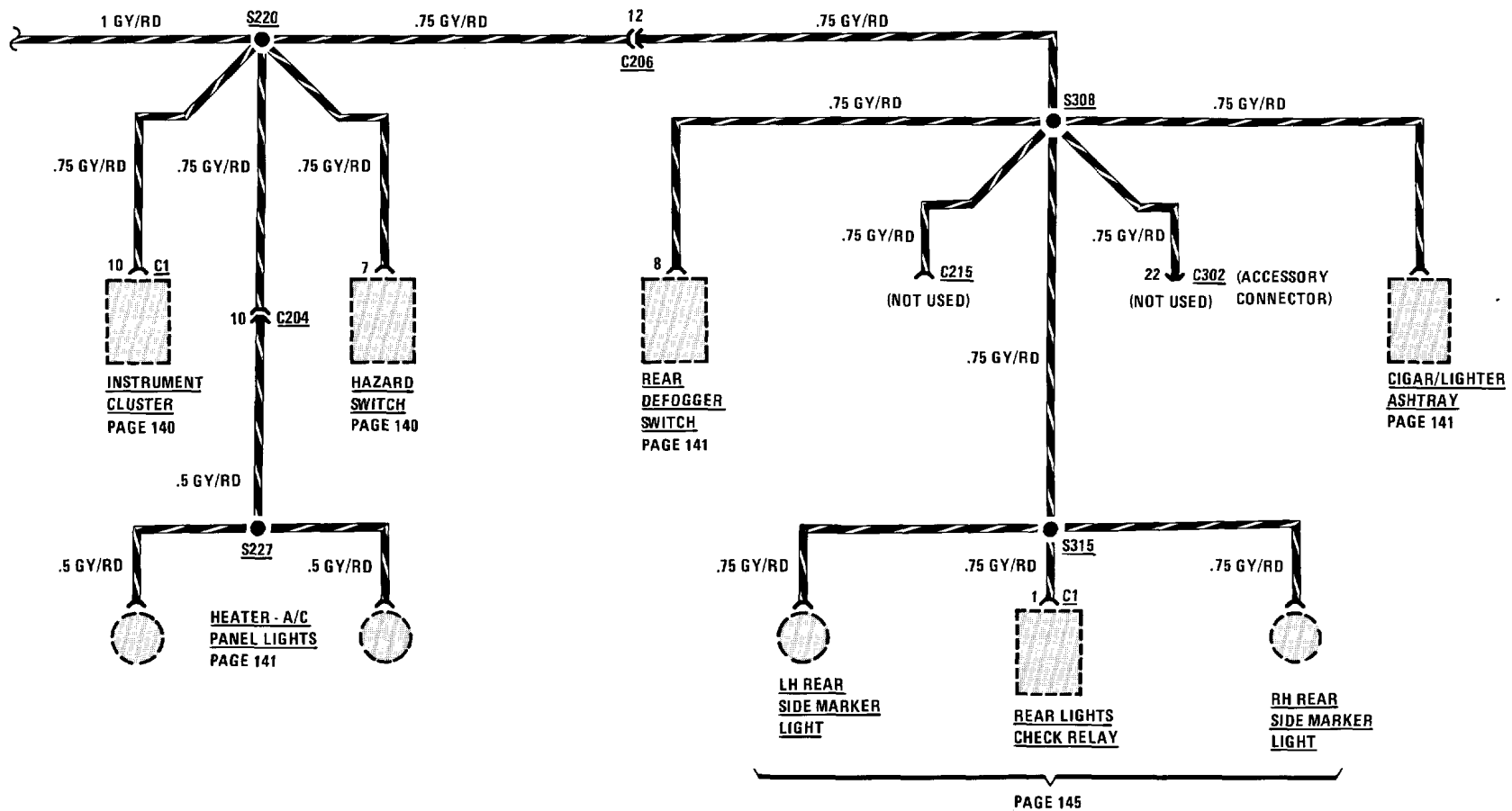


112 LIGHT SWITCH DETAILS

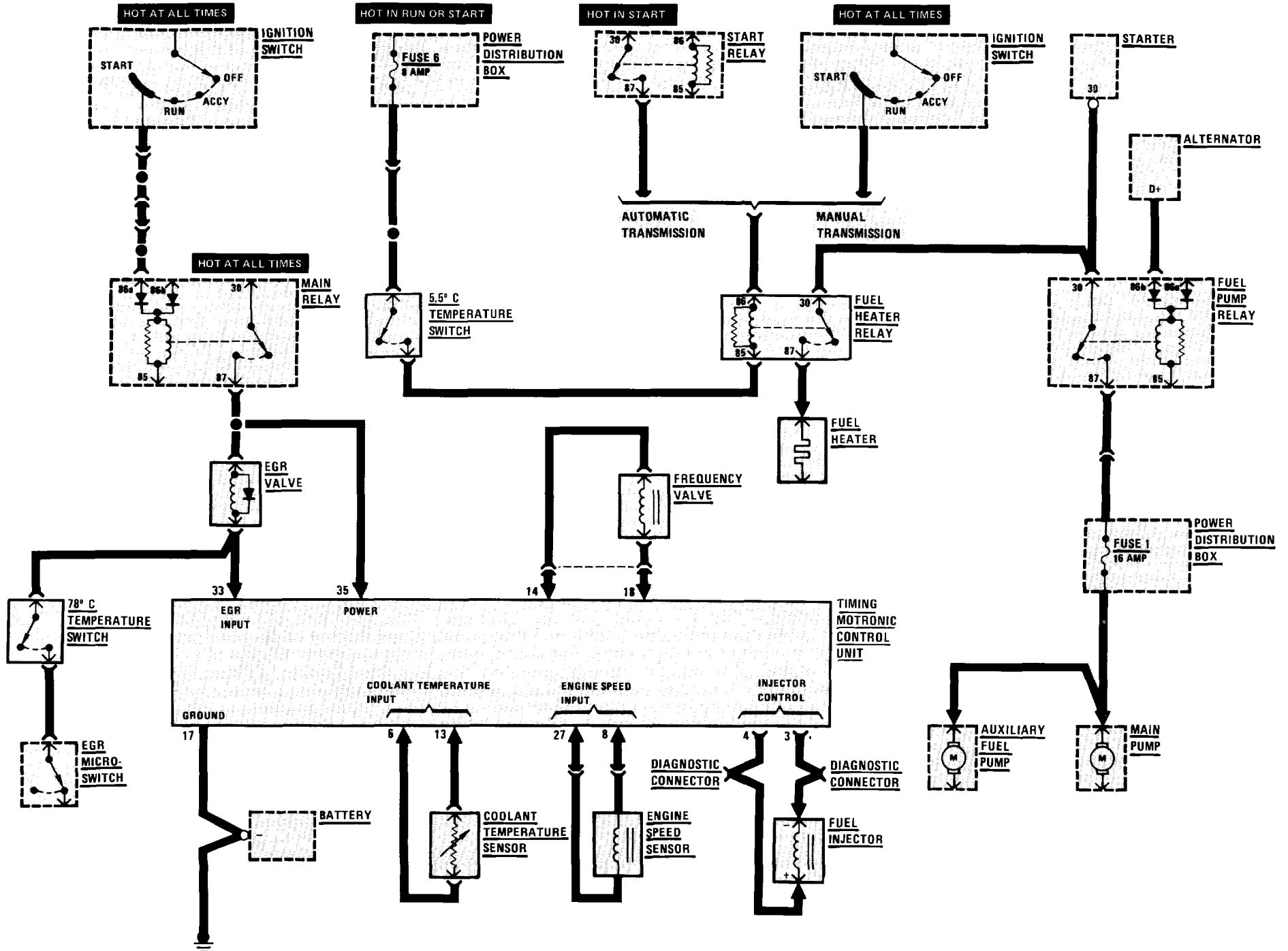


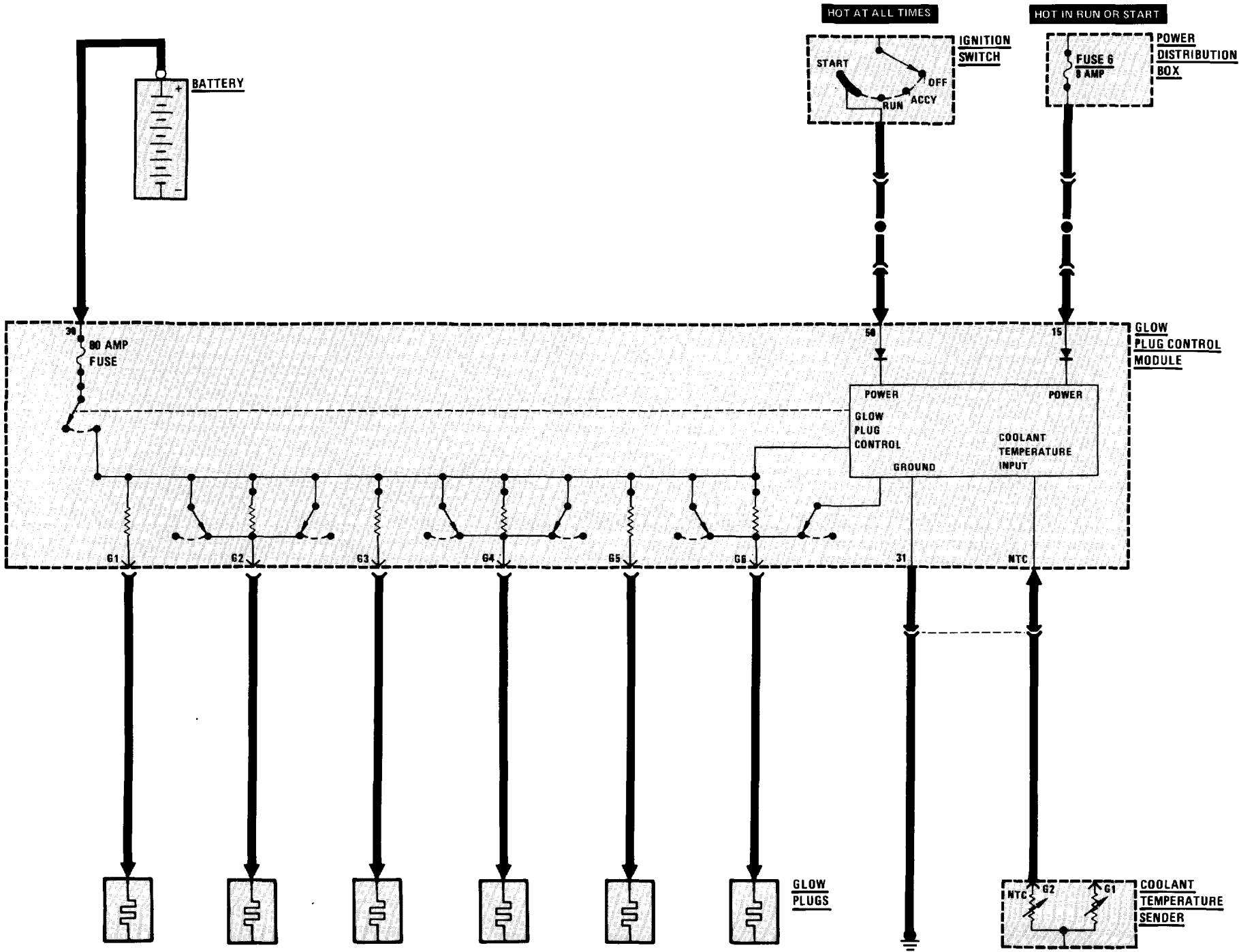
PAGE 133

REAR LIGHTS CHECK RELAY PAGE 129



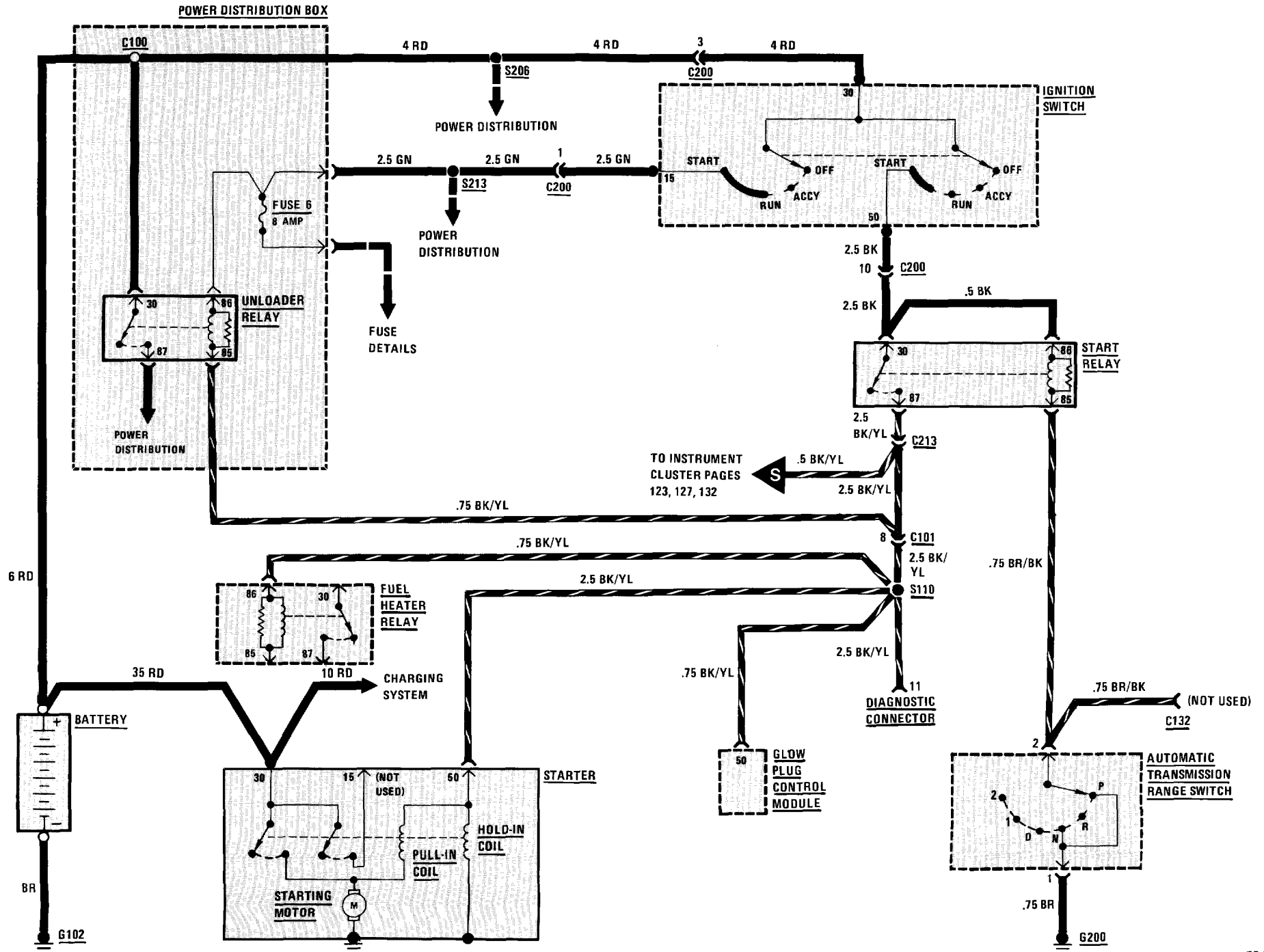
114 BLOCK DIAGRAM FOR ENGINE CONTROLS



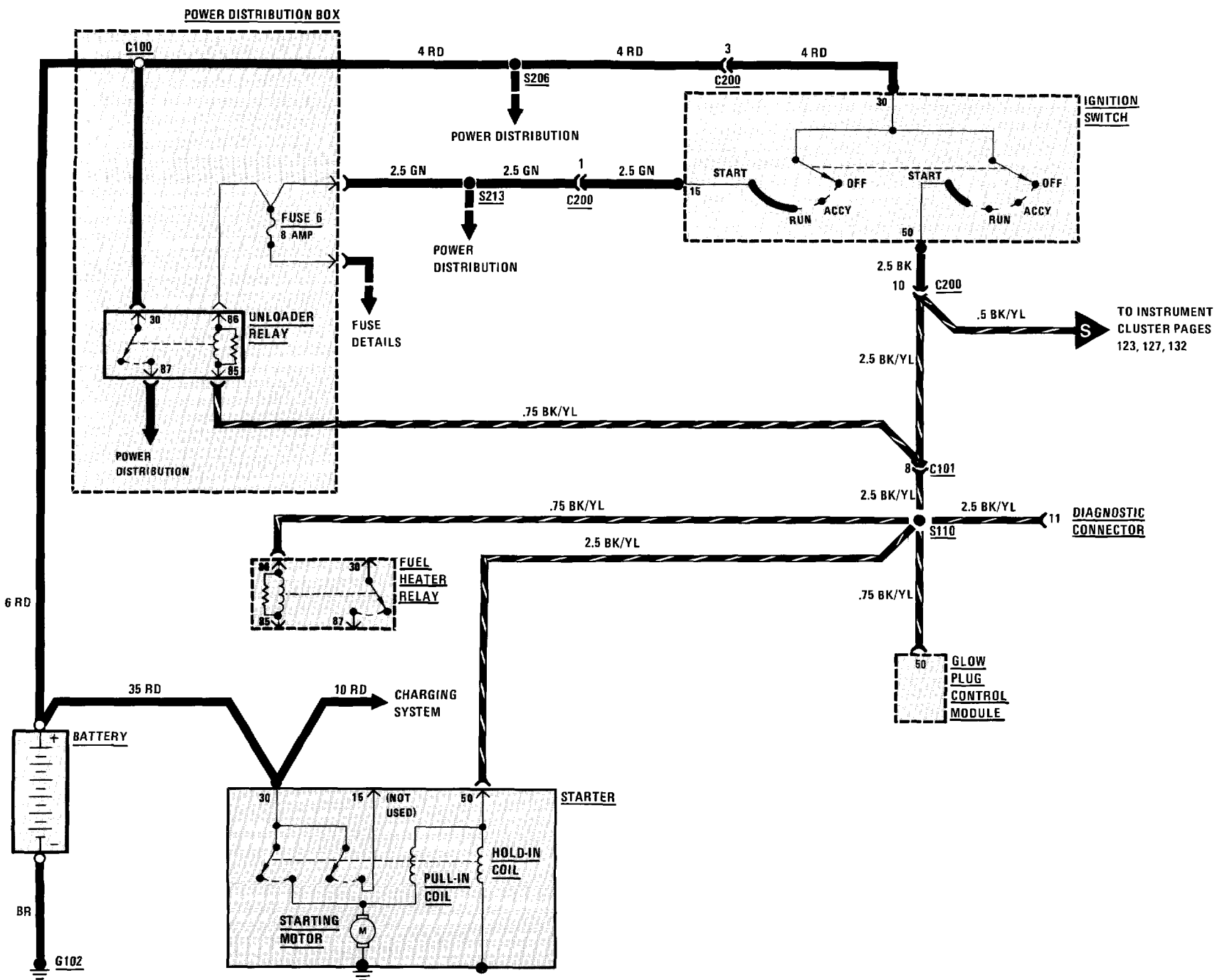


116 START (AUTOMATIC TRANSMISSION)

(For Component Locations See Page 214)

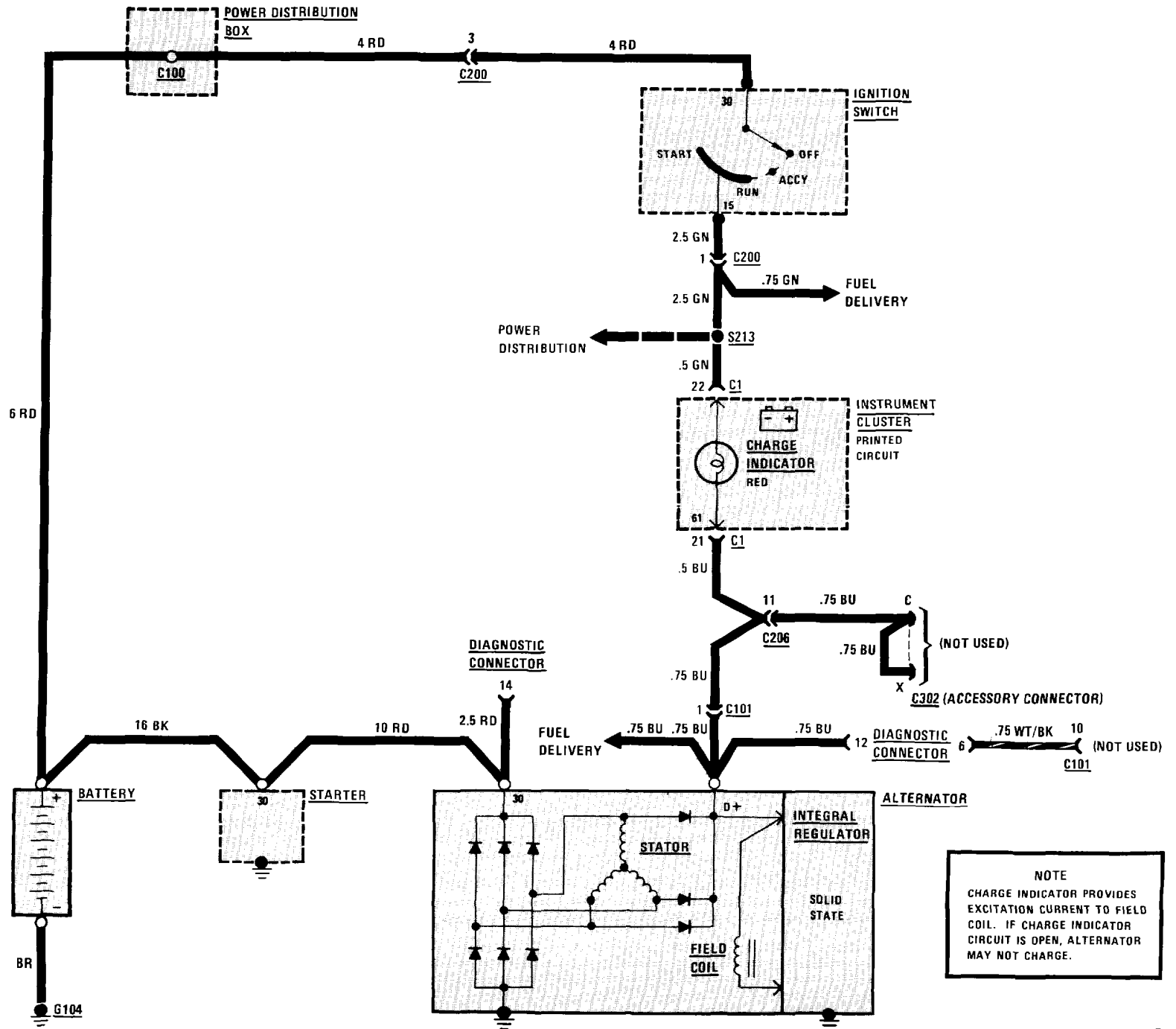


(For Component Location See Page 214)

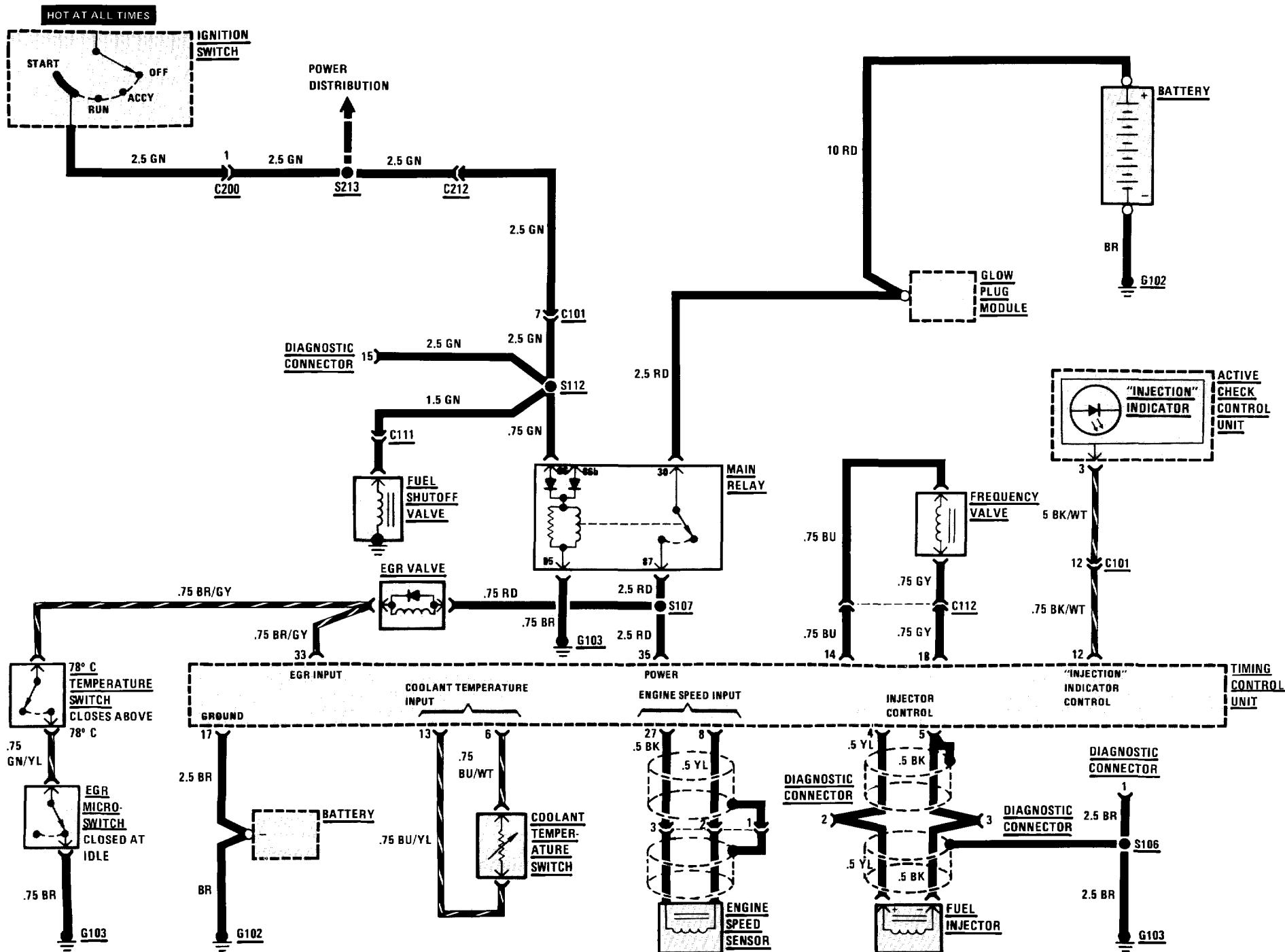


118 CHARGING SYSTEM

(For Component Locations See Page 203)

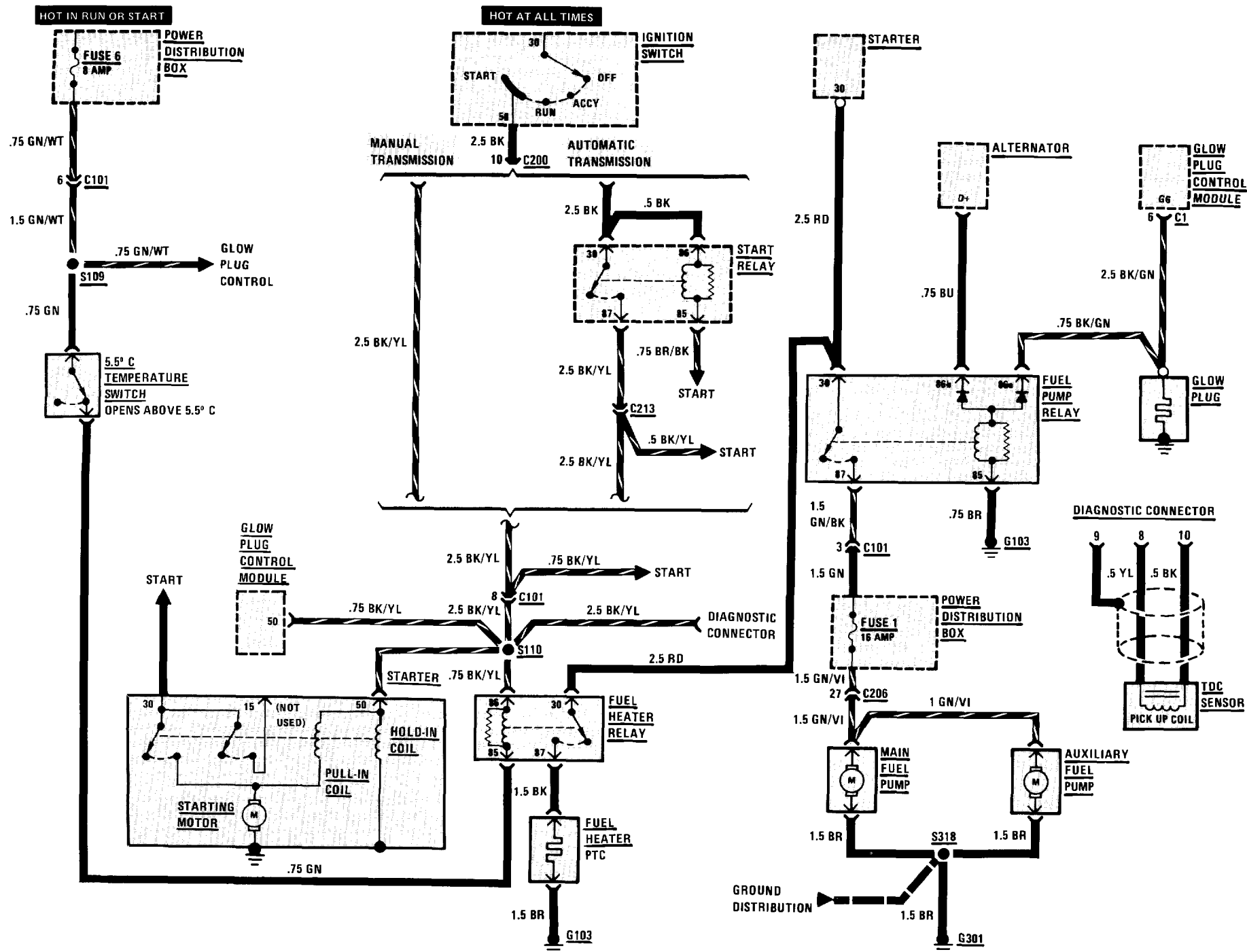


(For Component Location See Page 204)

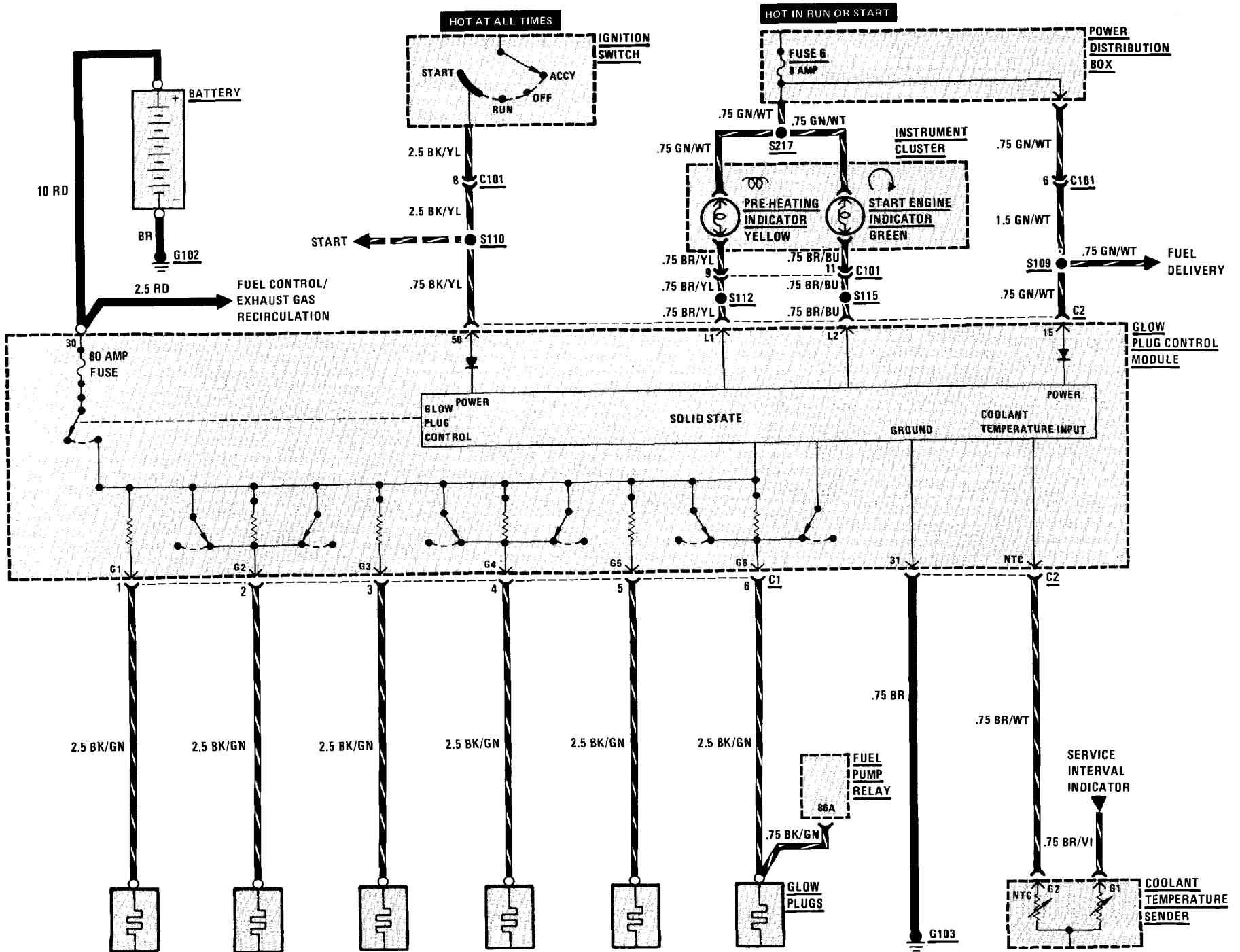


120 FUEL DELIVERY

(For Component Location See Page 204)



(For Component Locations See Page 205)

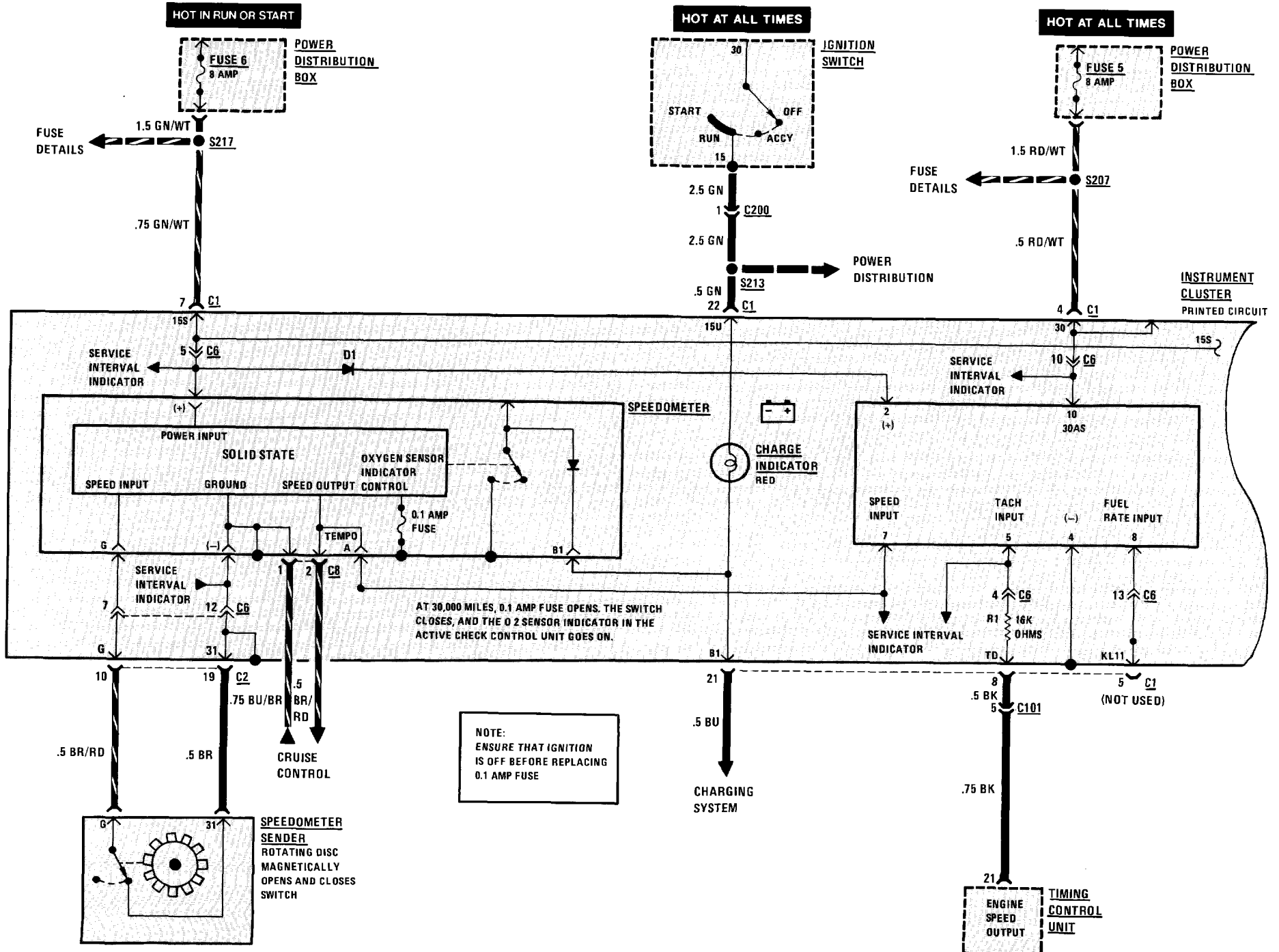


BLANK

BLANK

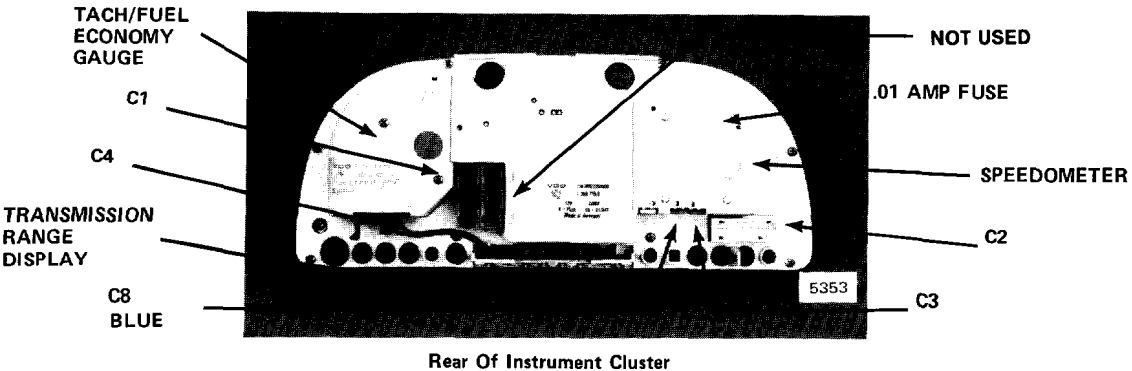
124 SPEEDOMETER/GAUGES/WARNING INDICATORS

(For Component Location See Page 213)



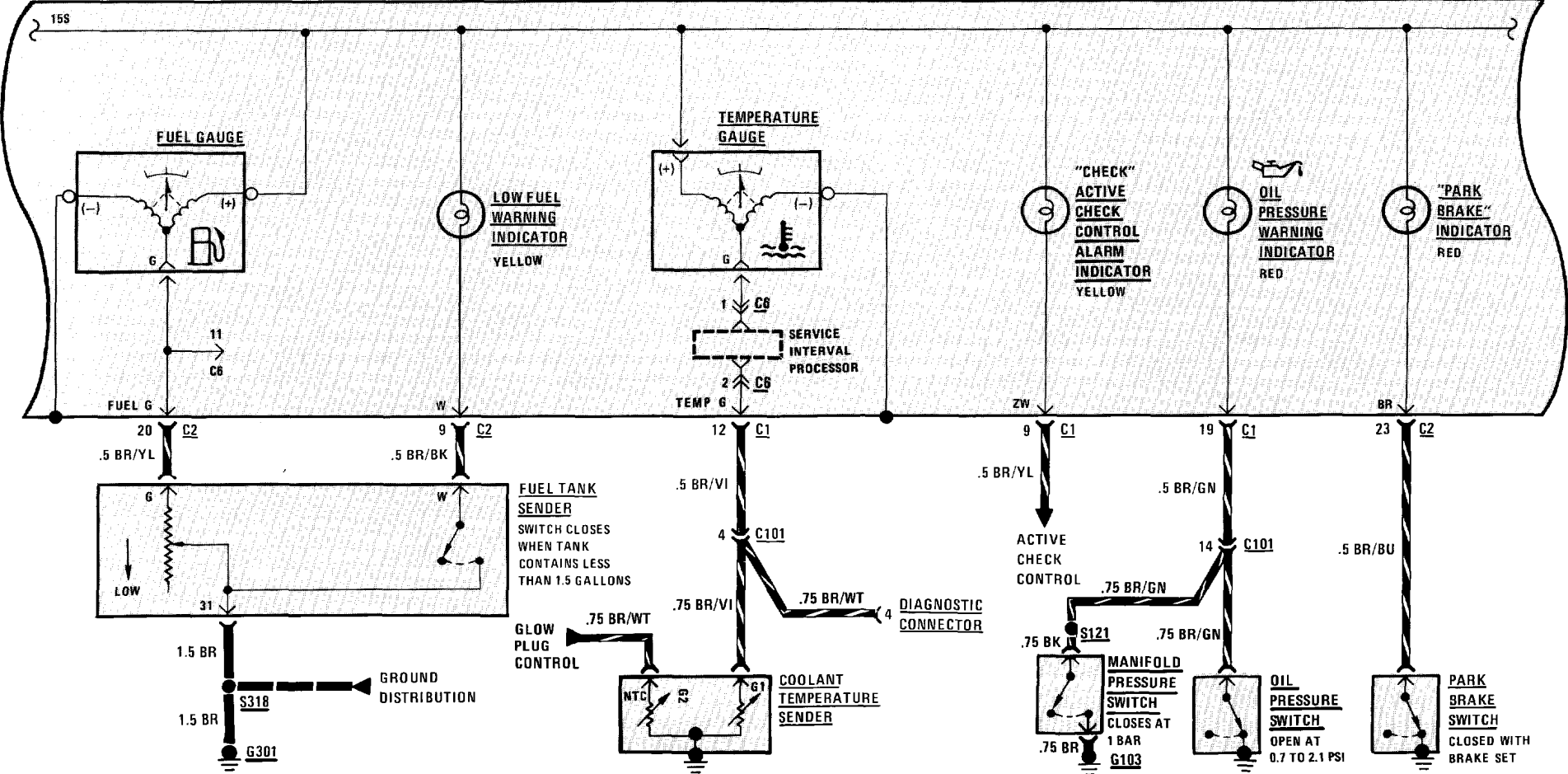
NOTE:
ENSURE THAT IGNITION IS OFF BEFORE REPLACING 0.1 AMP FUSE

(For Component Location See Page 213)



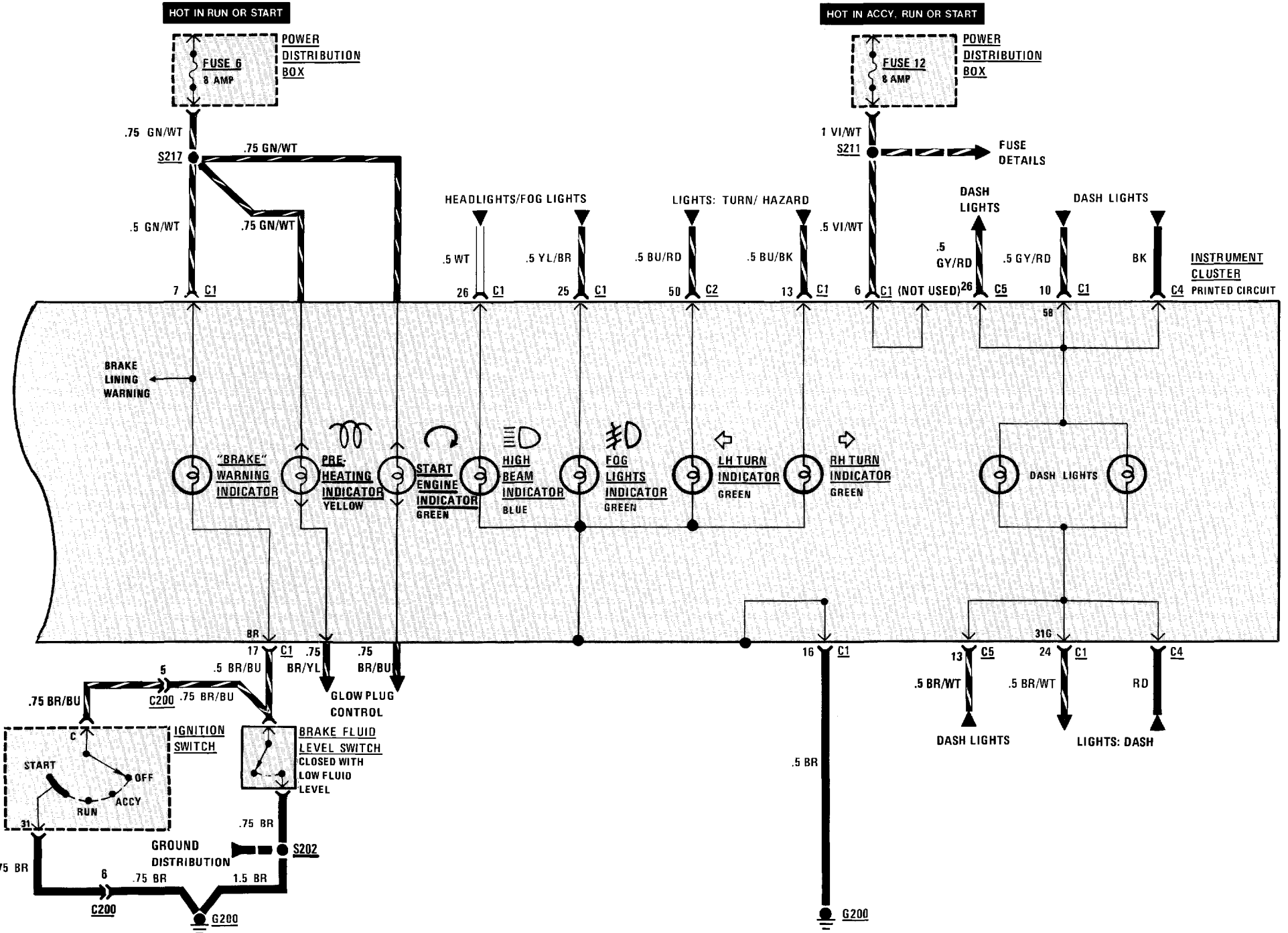
Rear Of Instrument Cluster

INSTRUMENT CLUSTER PRINTED CIRCUIT

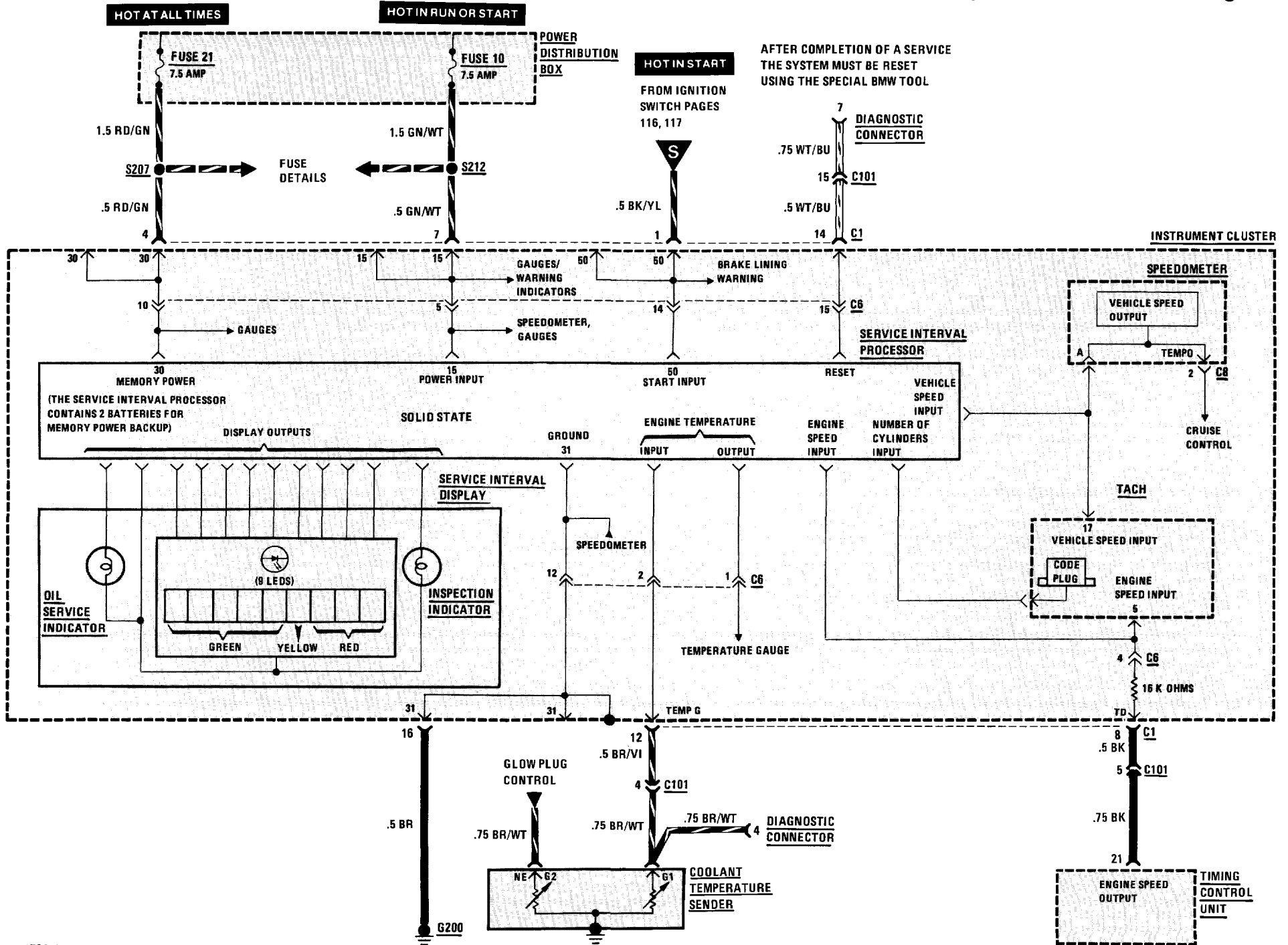


126 WARNING INDICATORS

(For Component Location See Page 213)



(For Component Locations See Page 211)



128 ACTIVE CHECK CONTROL

(For Component Locations See Page 201)

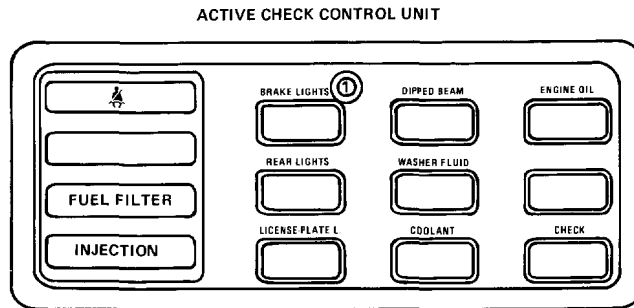
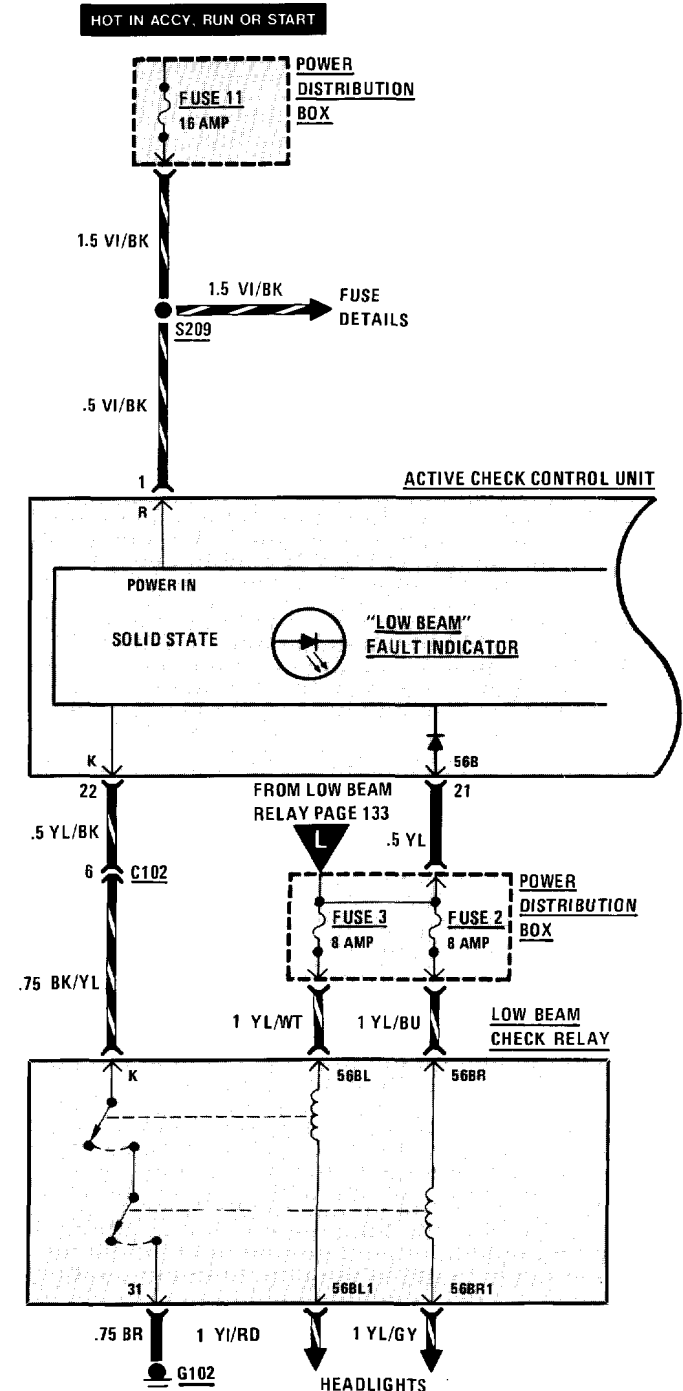


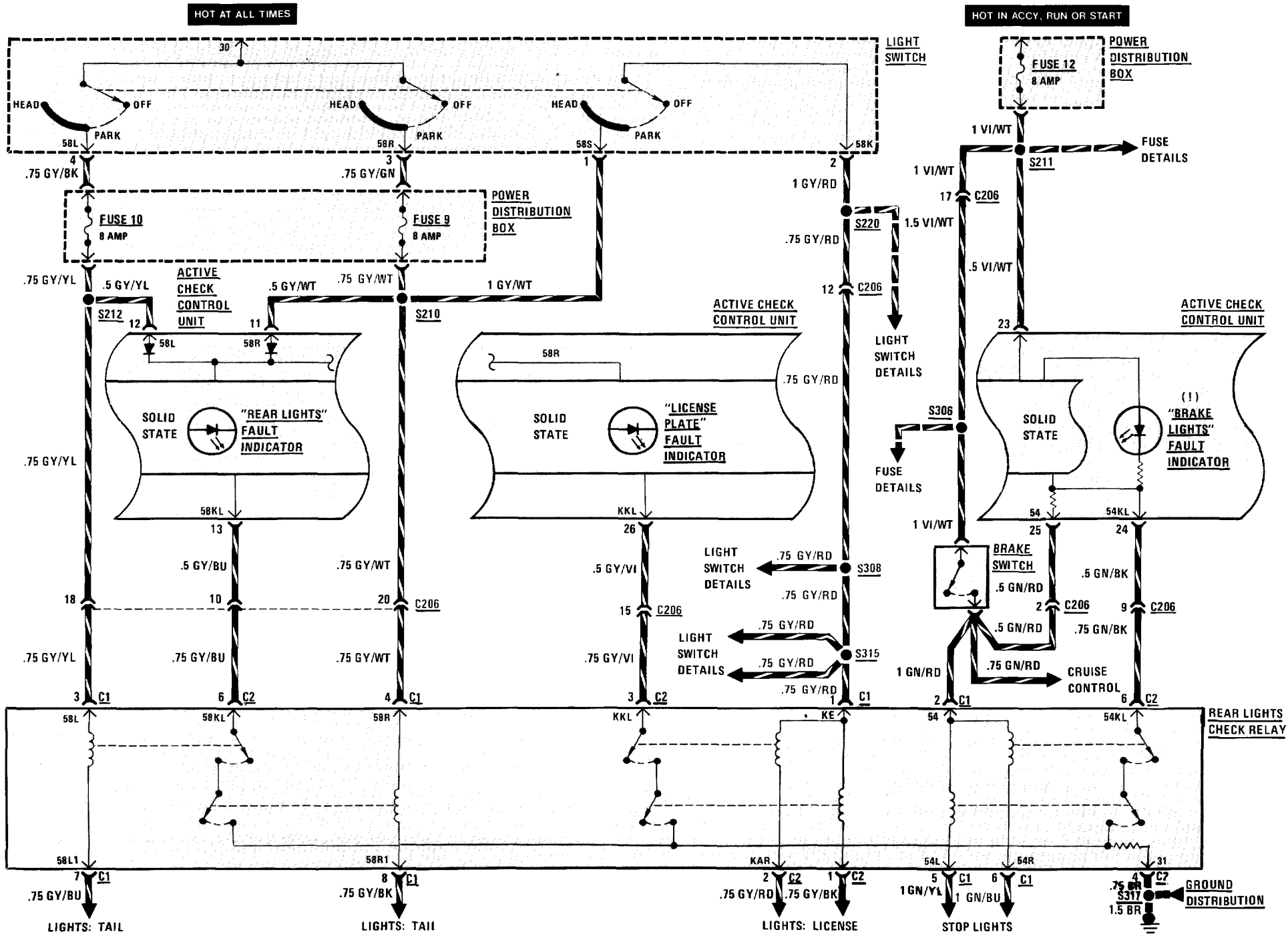
Figure 1 - Above Rear View Mirror

ACTIVE CHECK CONTROL

1. When the Ignition Switch is initially placed in "Run," the Active Check Control Alarm Indicator flashes, and the Active Check Control Unit Brake Light LED and panel light illuminate for test purposes. Depressing the brake pedal clears the display.
2. When the Ignition Switch is placed in "Run," fault monitoring begins. To monitor the low beams, rear lights, or license lights, those circuits must be on. The brake lights are monitored only while the brake pedal is depressed.
3. When a fault occurs, the alarm indicator flashes, the appropriate LED indicator lights, and the panel light goes on for five seconds. Depressing the test button will clear the alarm indicator, but the LED fault indicator remains on.
4. To test the unit, depress the test button. The LED fault indicators and panel lights should go on.

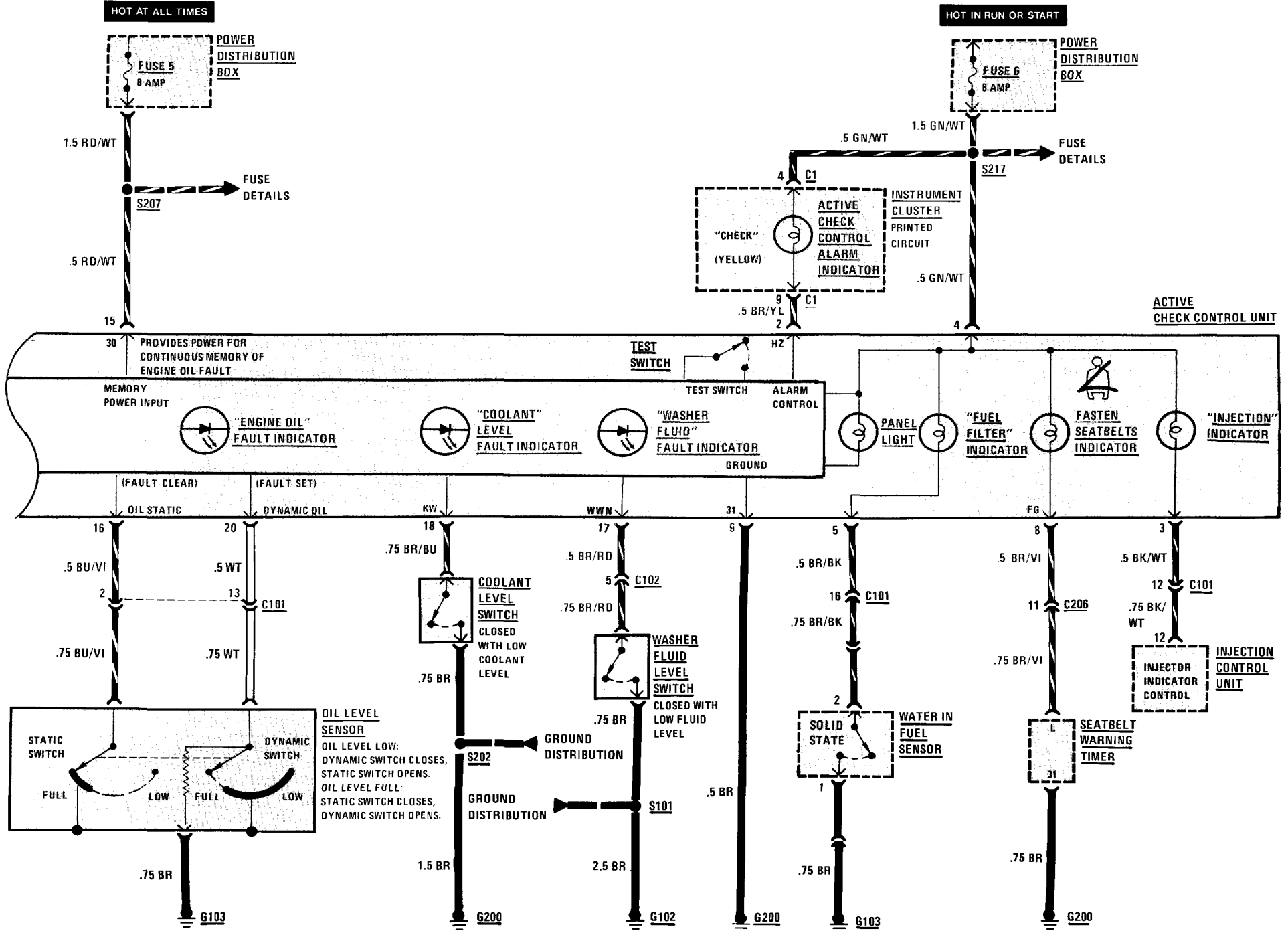


(For Component Location See Page 201)

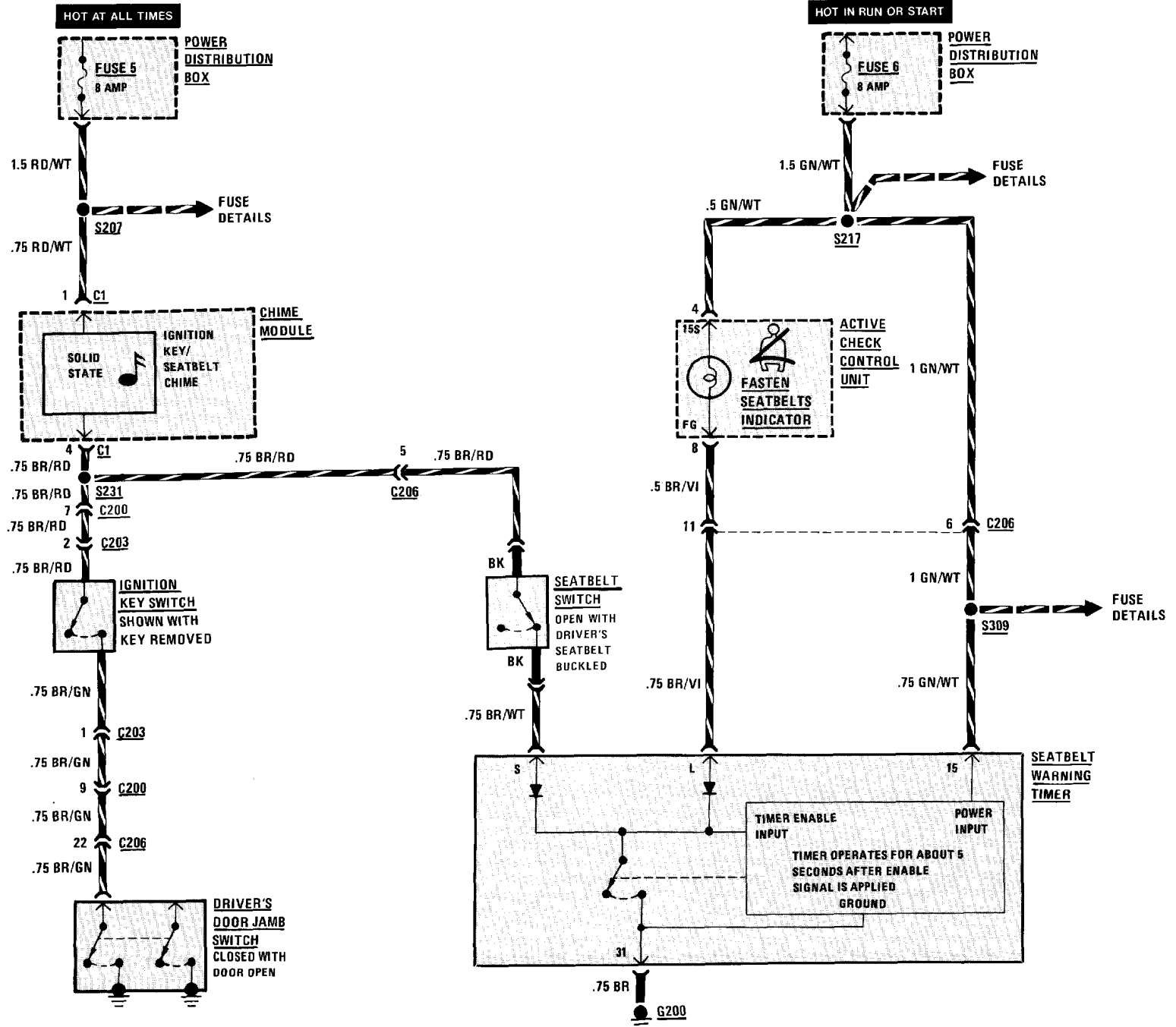


130 ACTIVE CHECK CONTROL

(For Component Locations See Page 201)

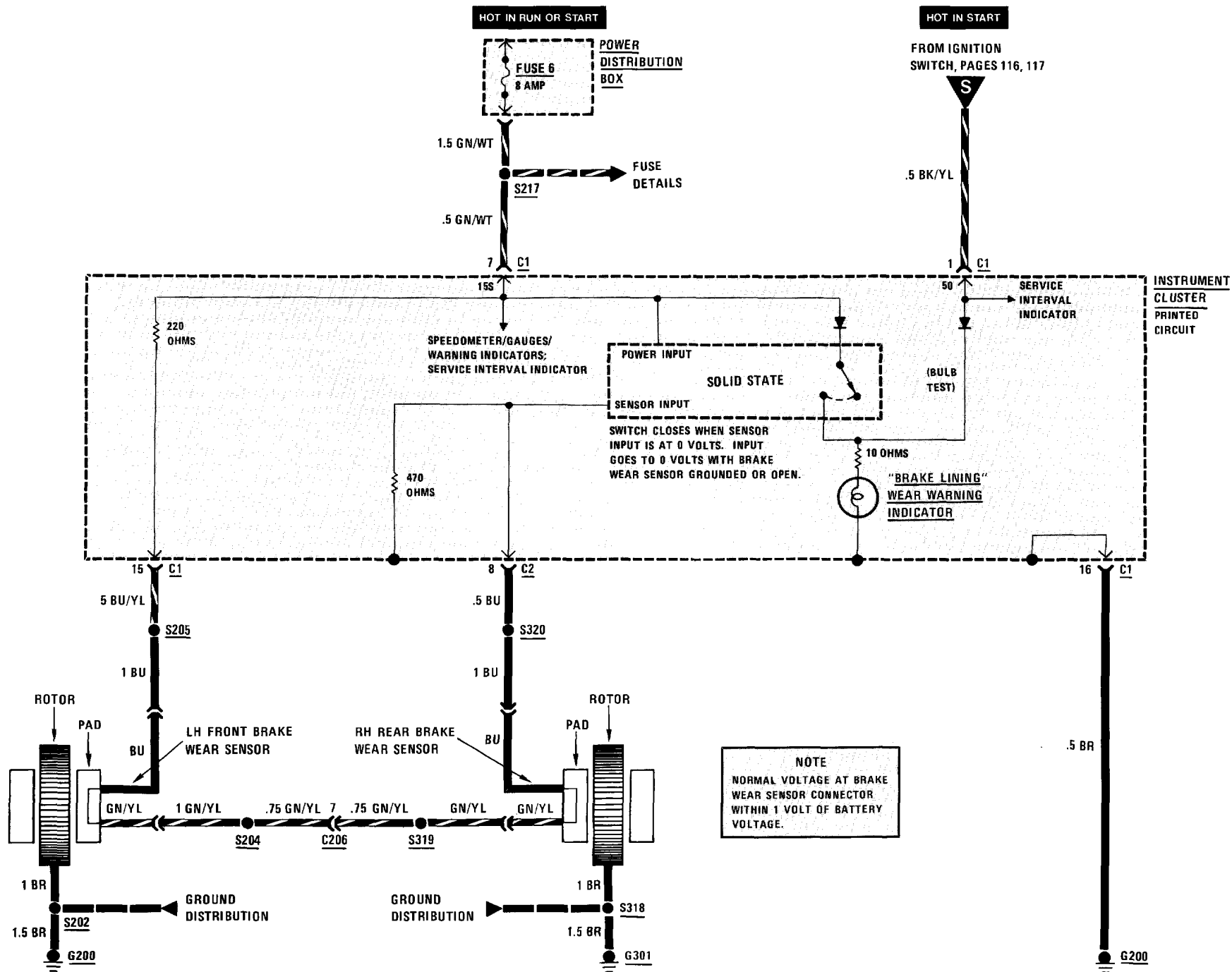


(For Component Location See Page 206)

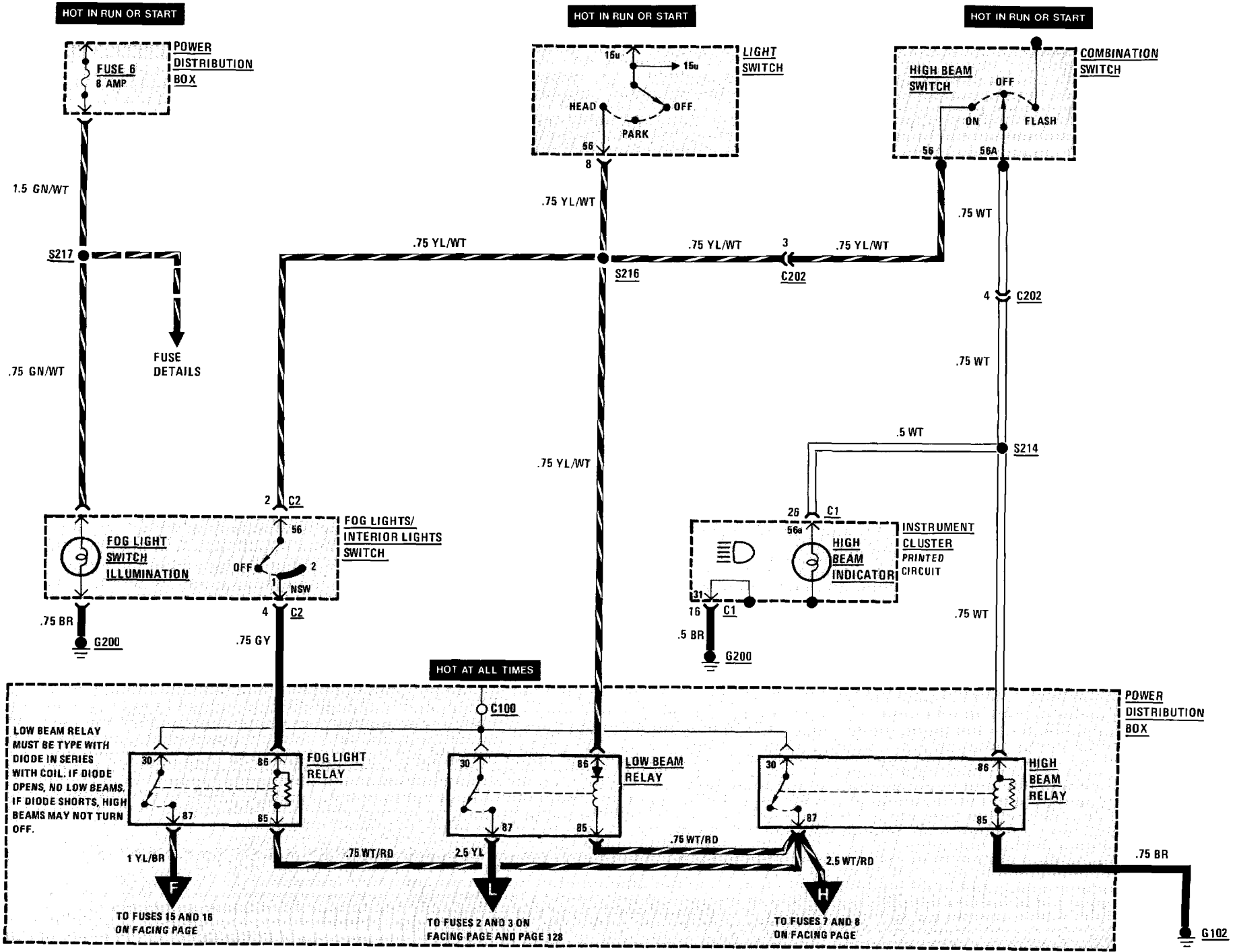


132 BRAKE LINING WARNING

(For Component Location See Page 202)

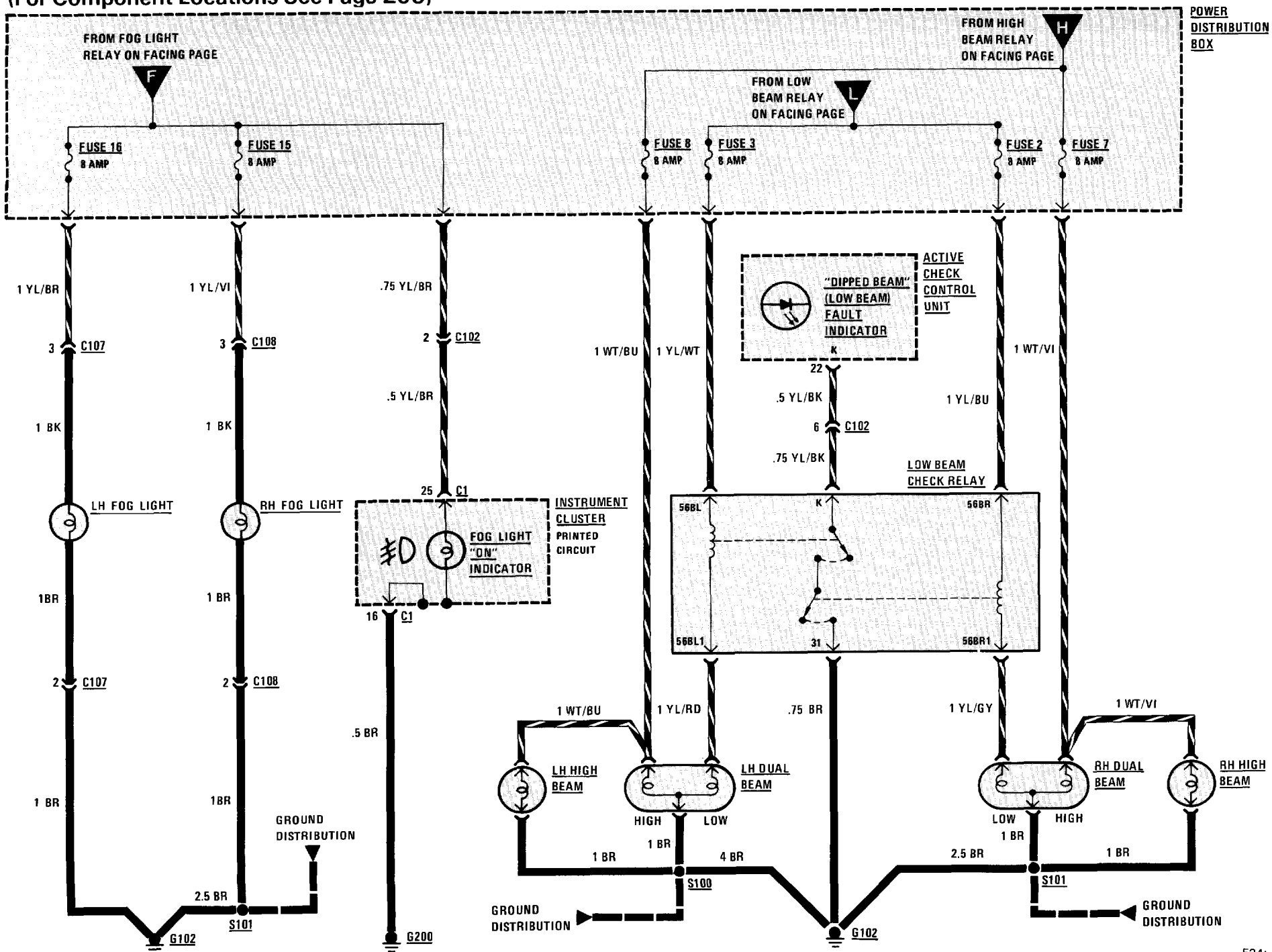


(For Component Location See Page 205)

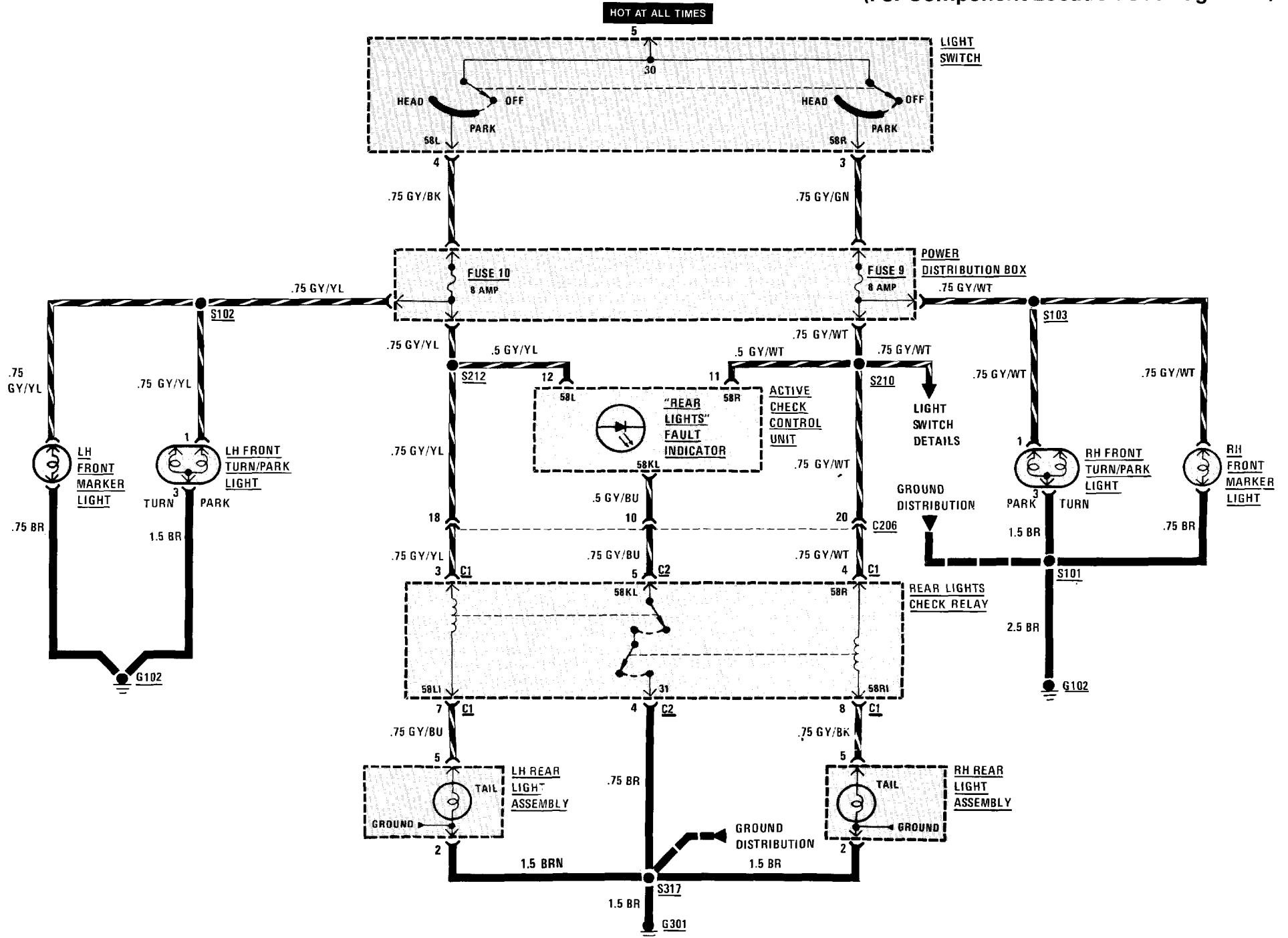


134 HEADLIGHTS (POWER)/FOG LIGHTS (POWER)

(For Component Locations See Page 205)

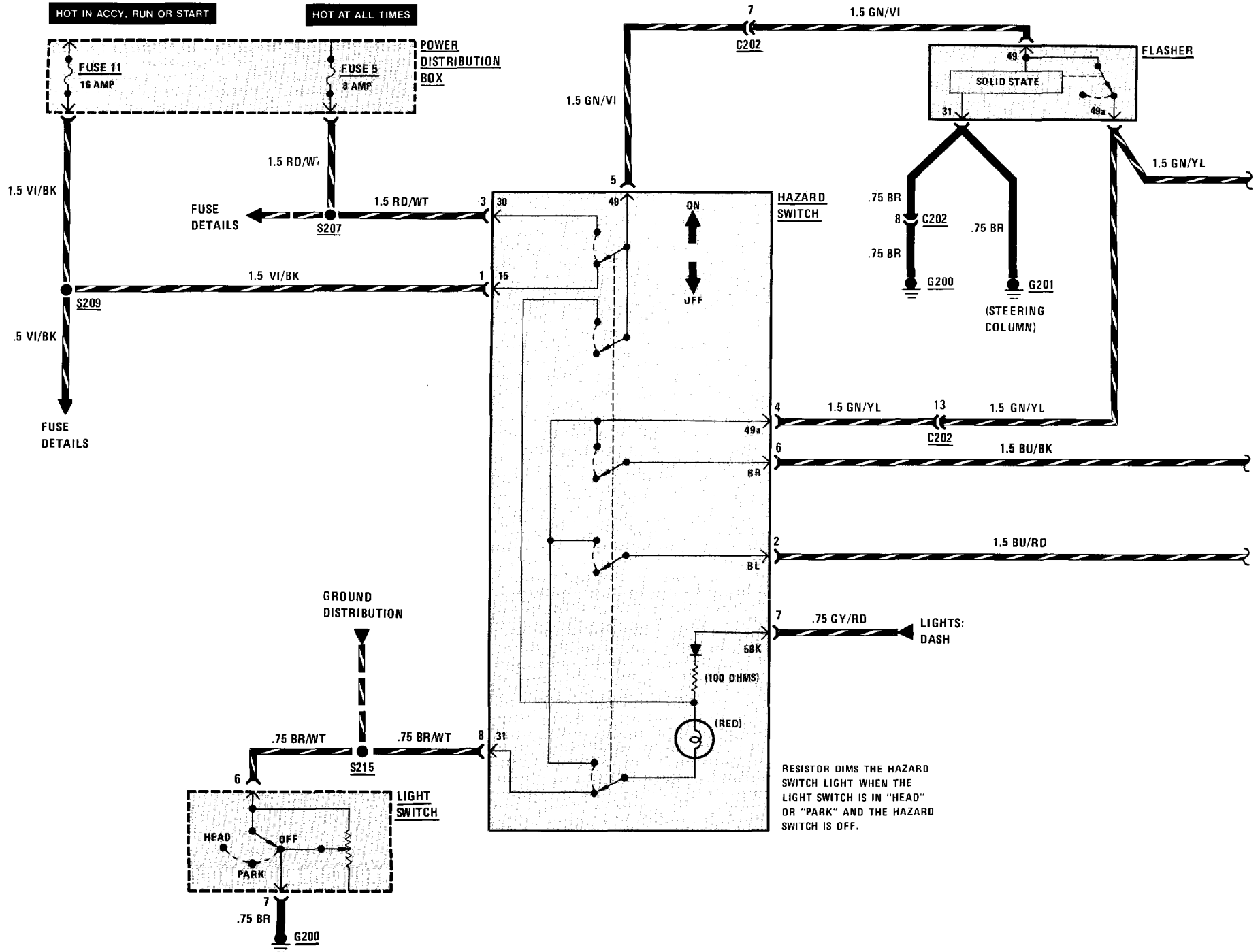


(For Component Location See Page 208)

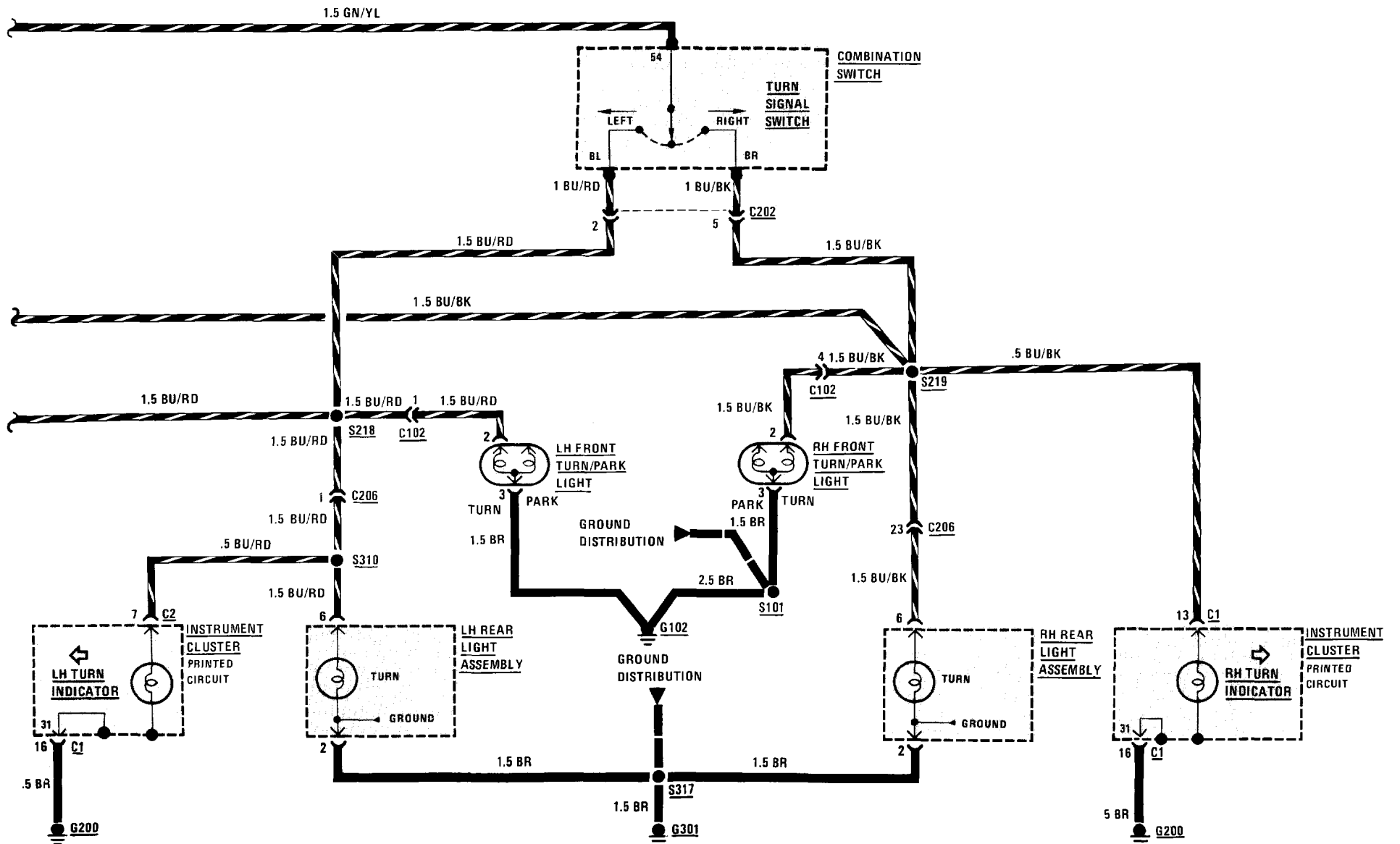


136 LIGHTS: TURN/HAZARD WARNING

(For Component Location See Page 209)

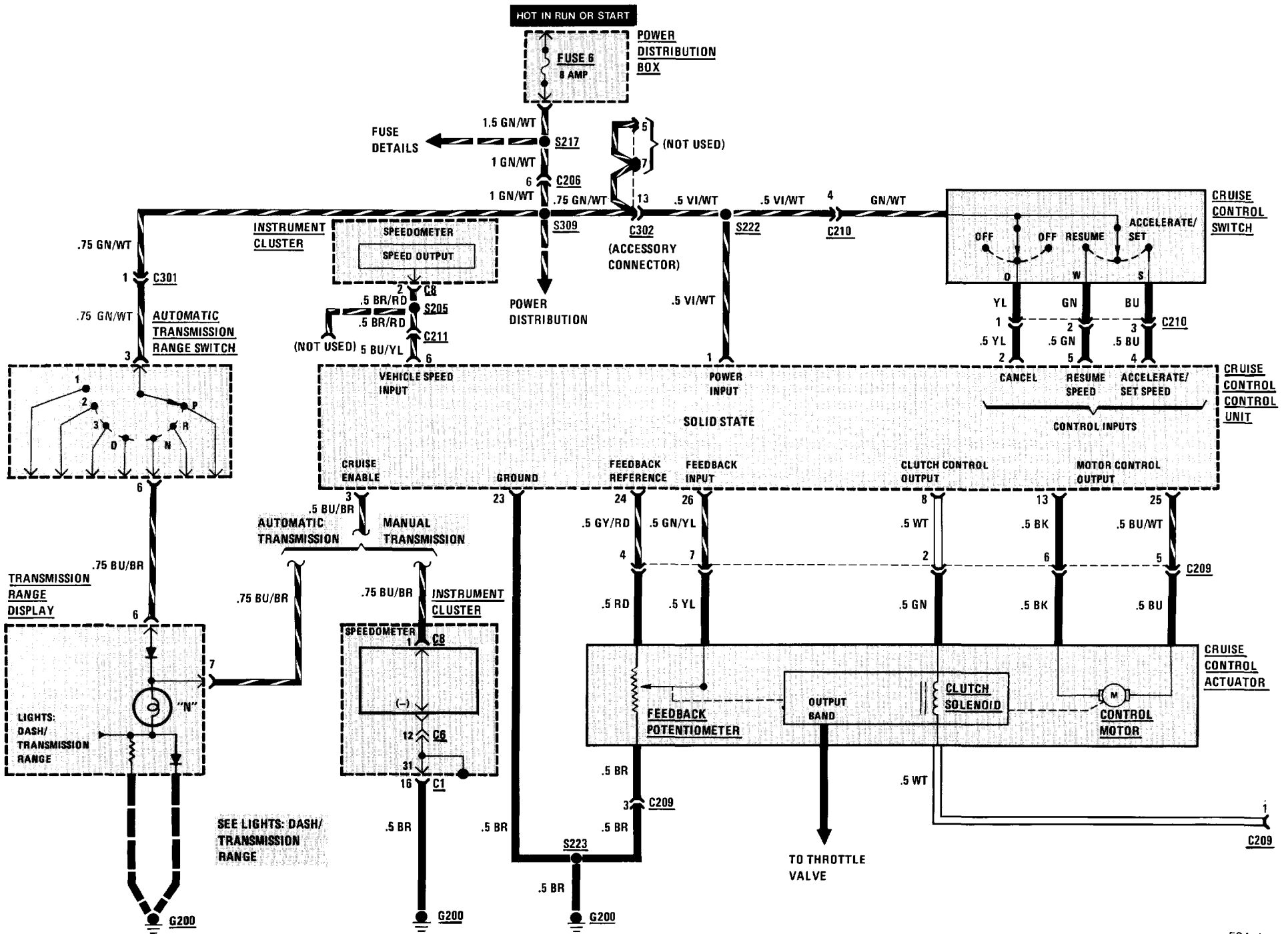


(For Component Location See Page 209)

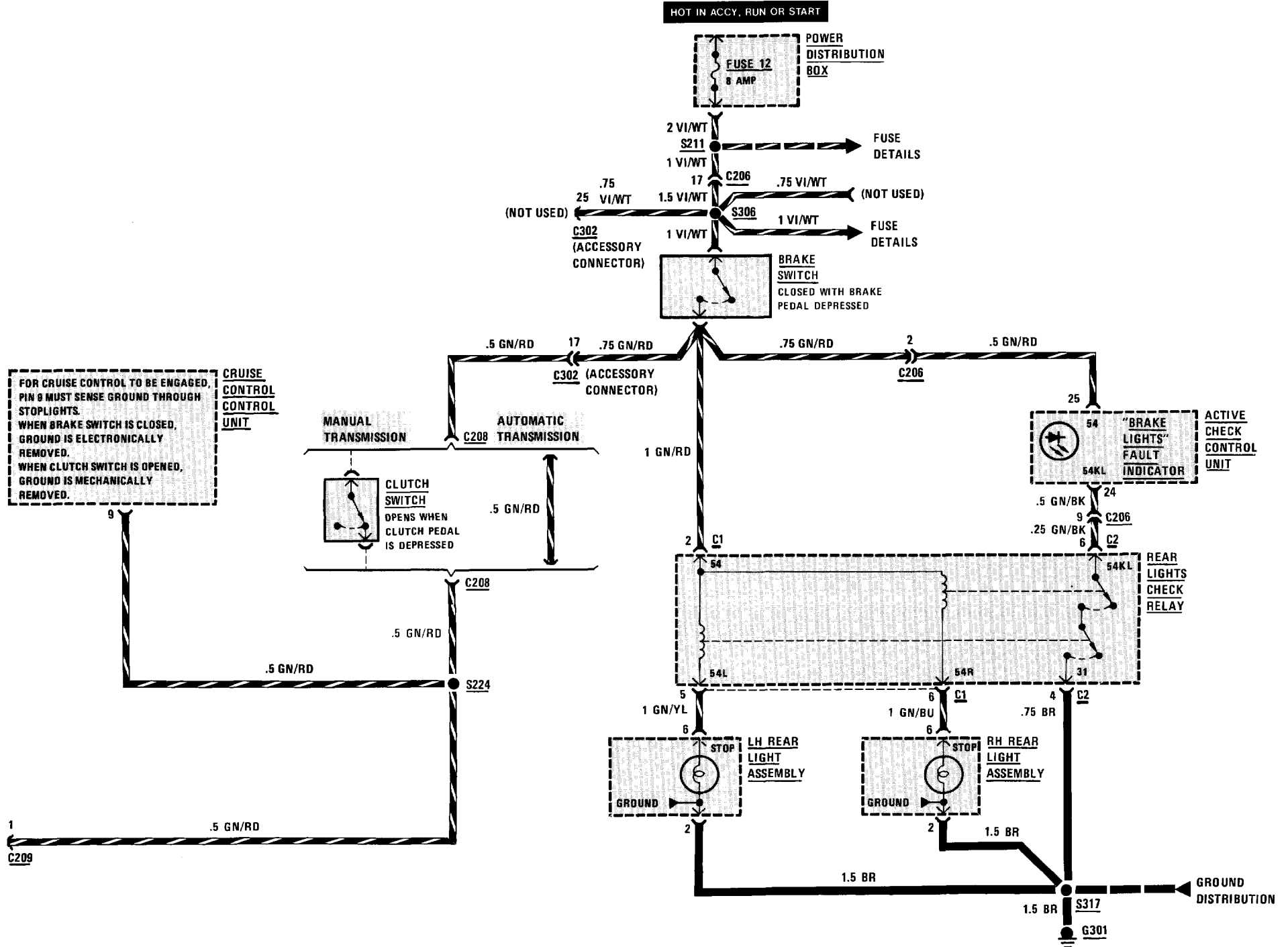


138 CRUISE CONTROL/STOPLIGHTS

(For Component Location See Page 203)

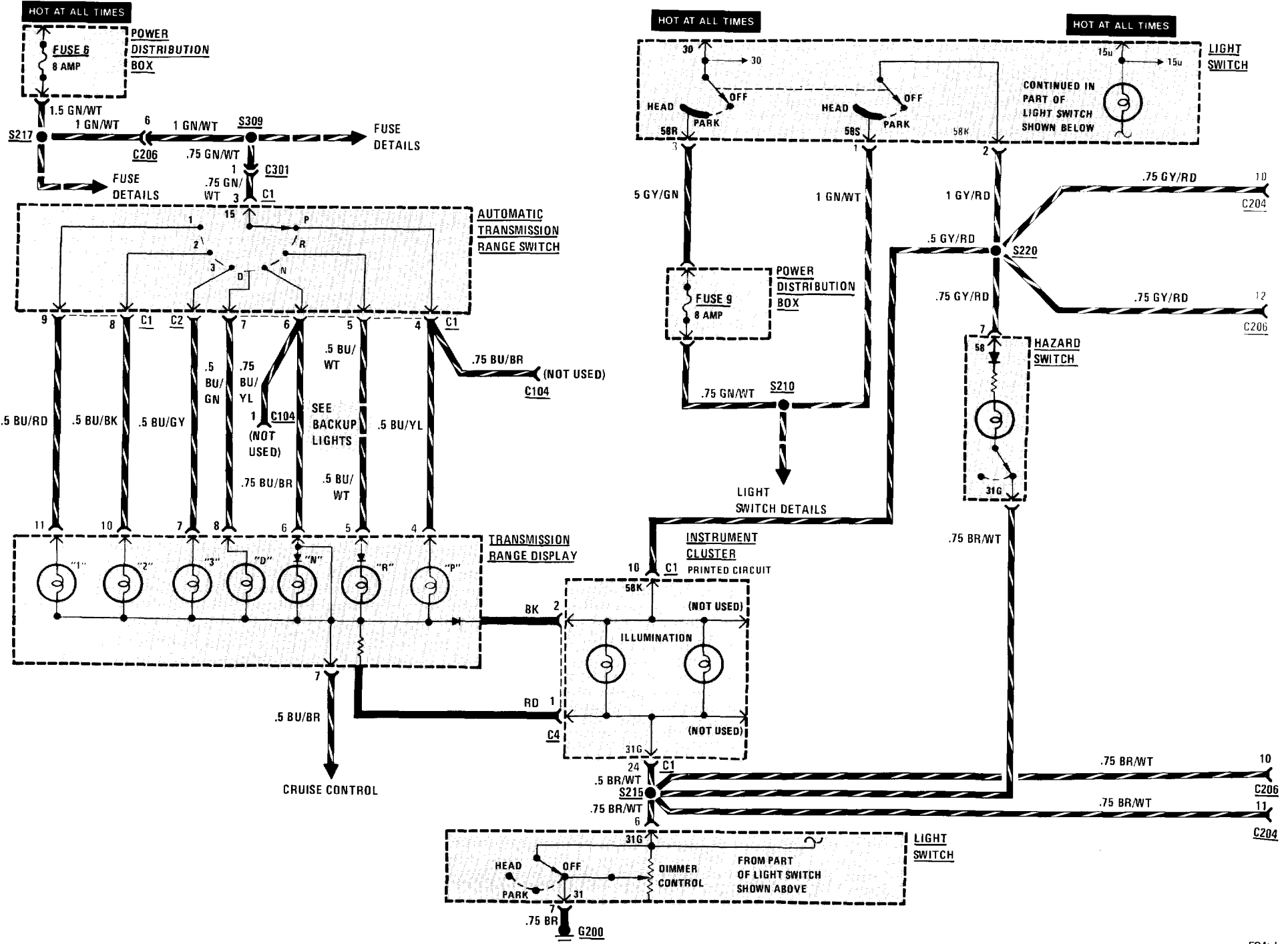


(For Component Location See Page 203)

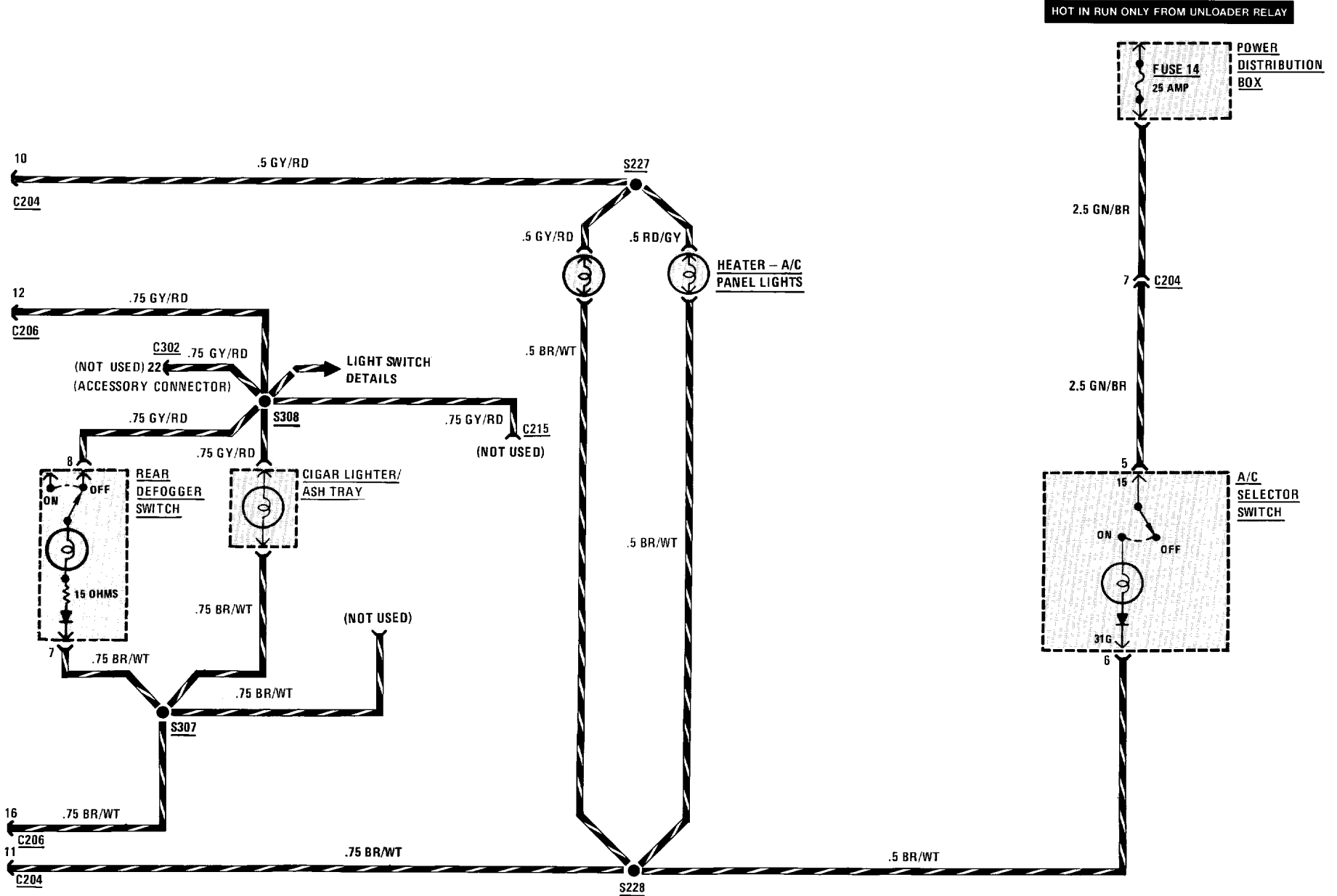


140 LIGHTS: DASH/TRANSMISSION RANGE

(For Component Location See Page 208)

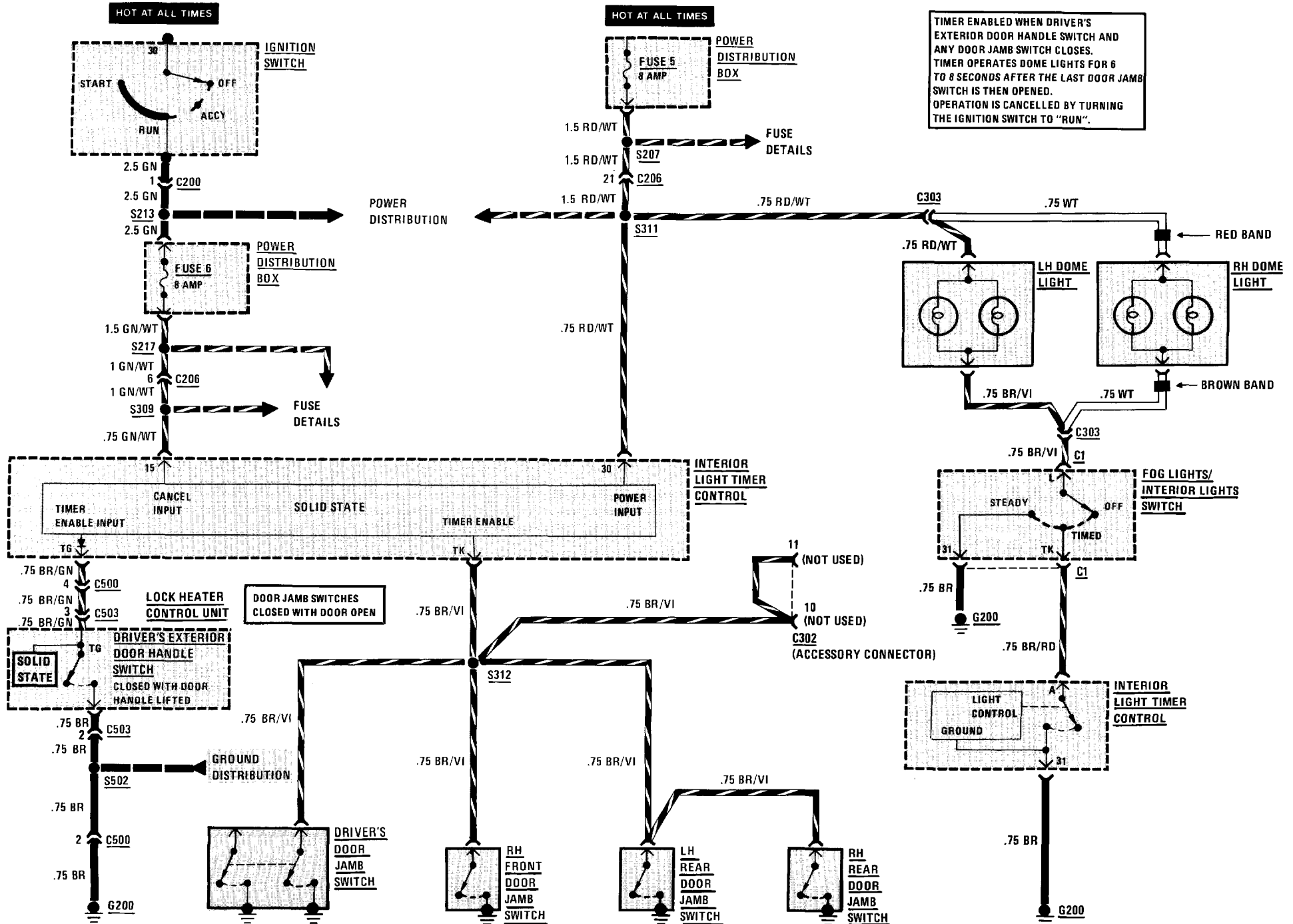


(For Component Location See Page 208)

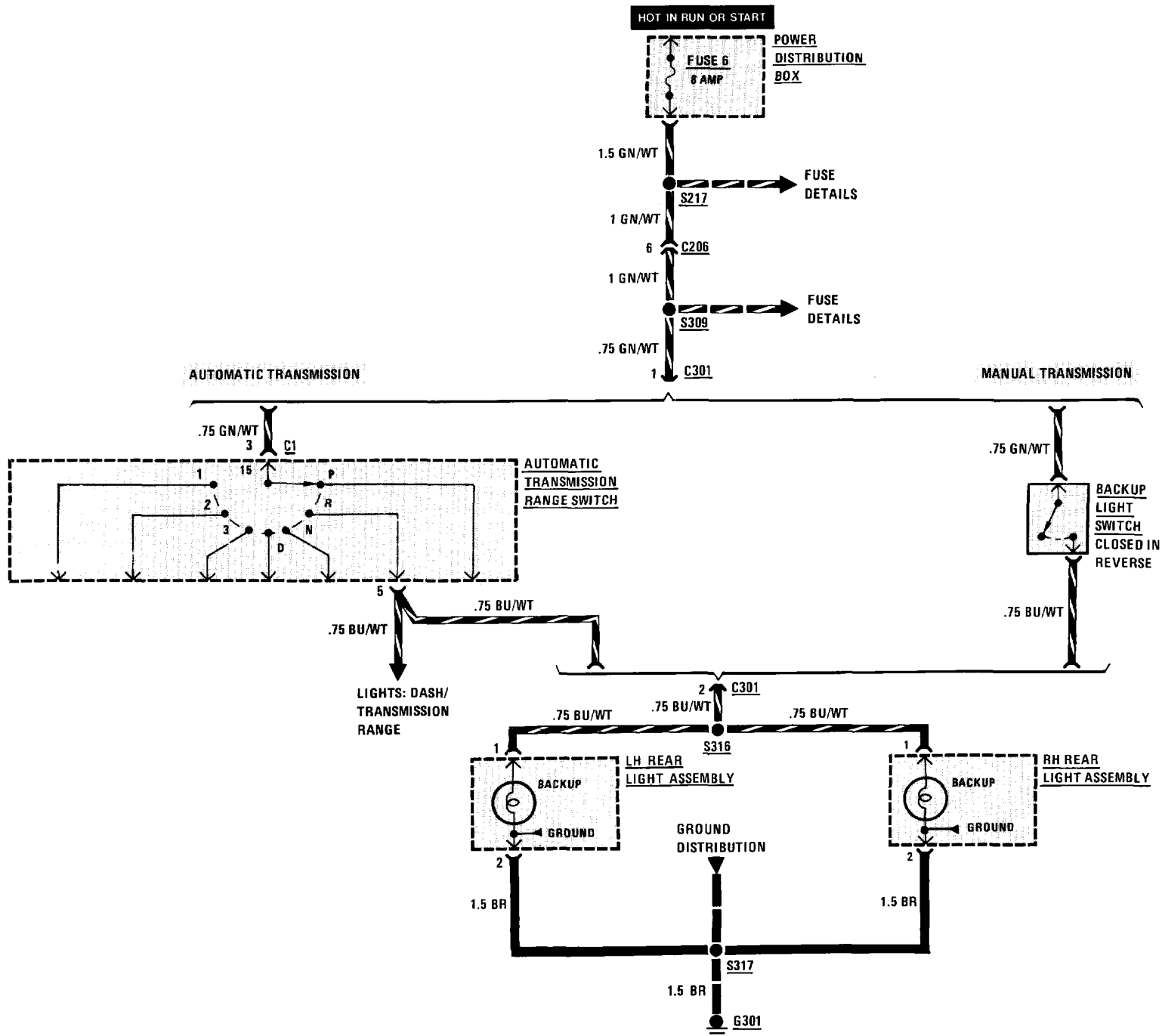


142 INTERIOR LIGHTS

(For Component Location See Page 206)

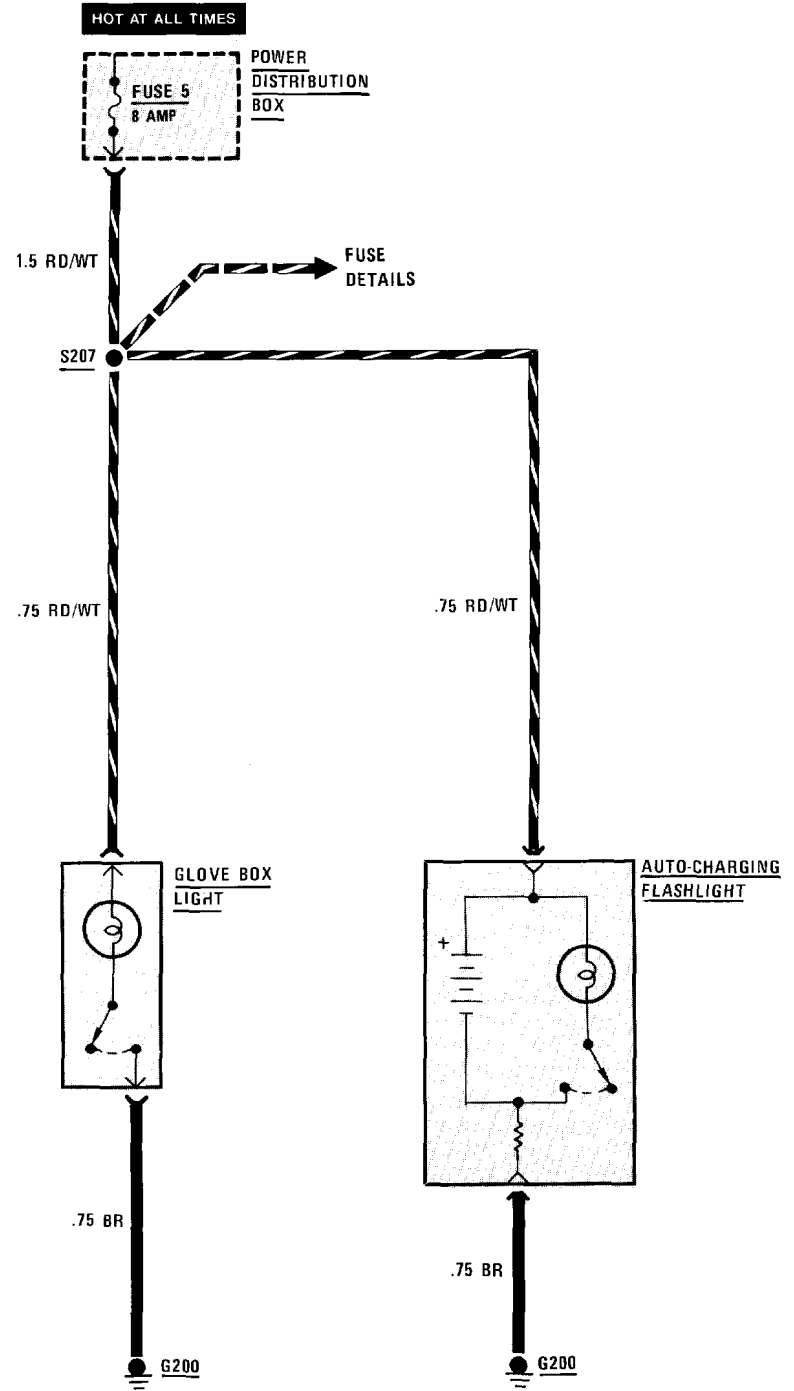
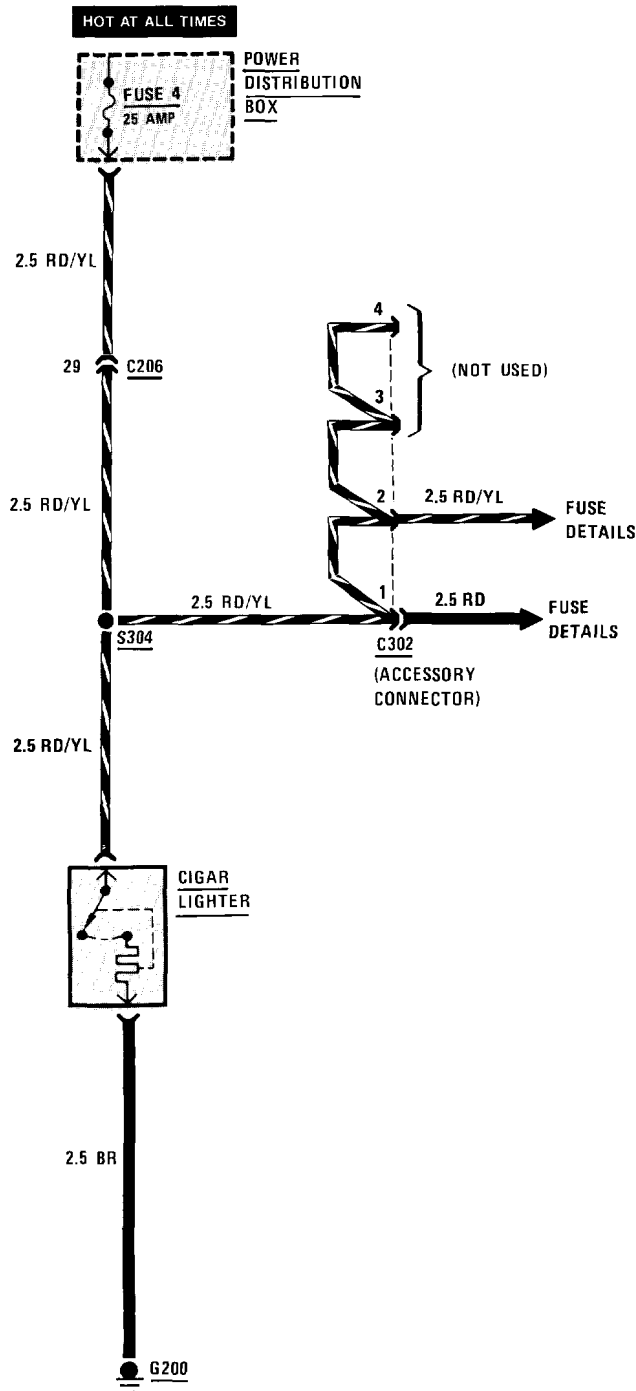


(For Component Locations See Page 202)

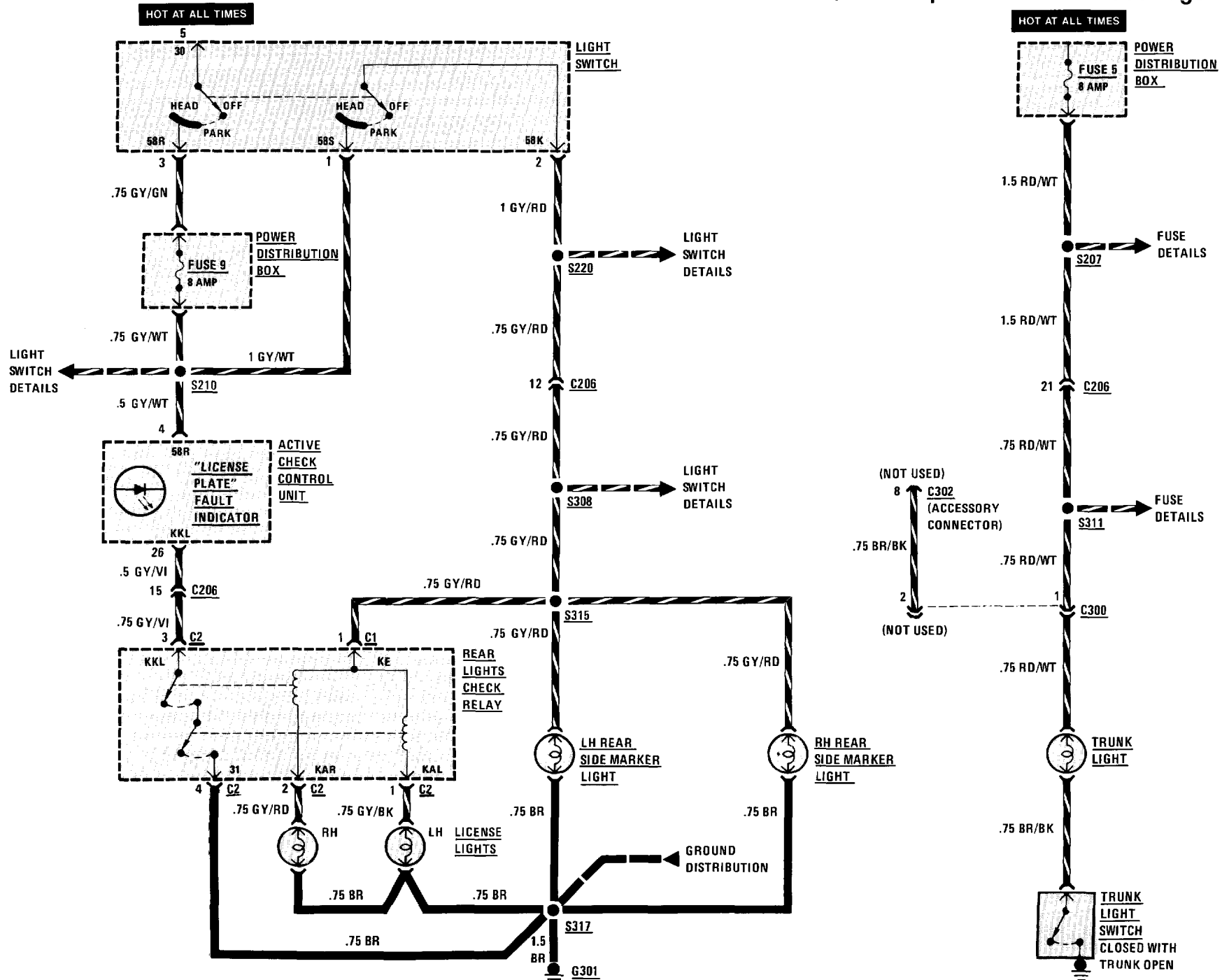


144 CIGAR LIGHTER/GLOVE BOX LIGHT/AUTO-CHARGING FLASHLIGHT

(For Component Locations See Page 203)

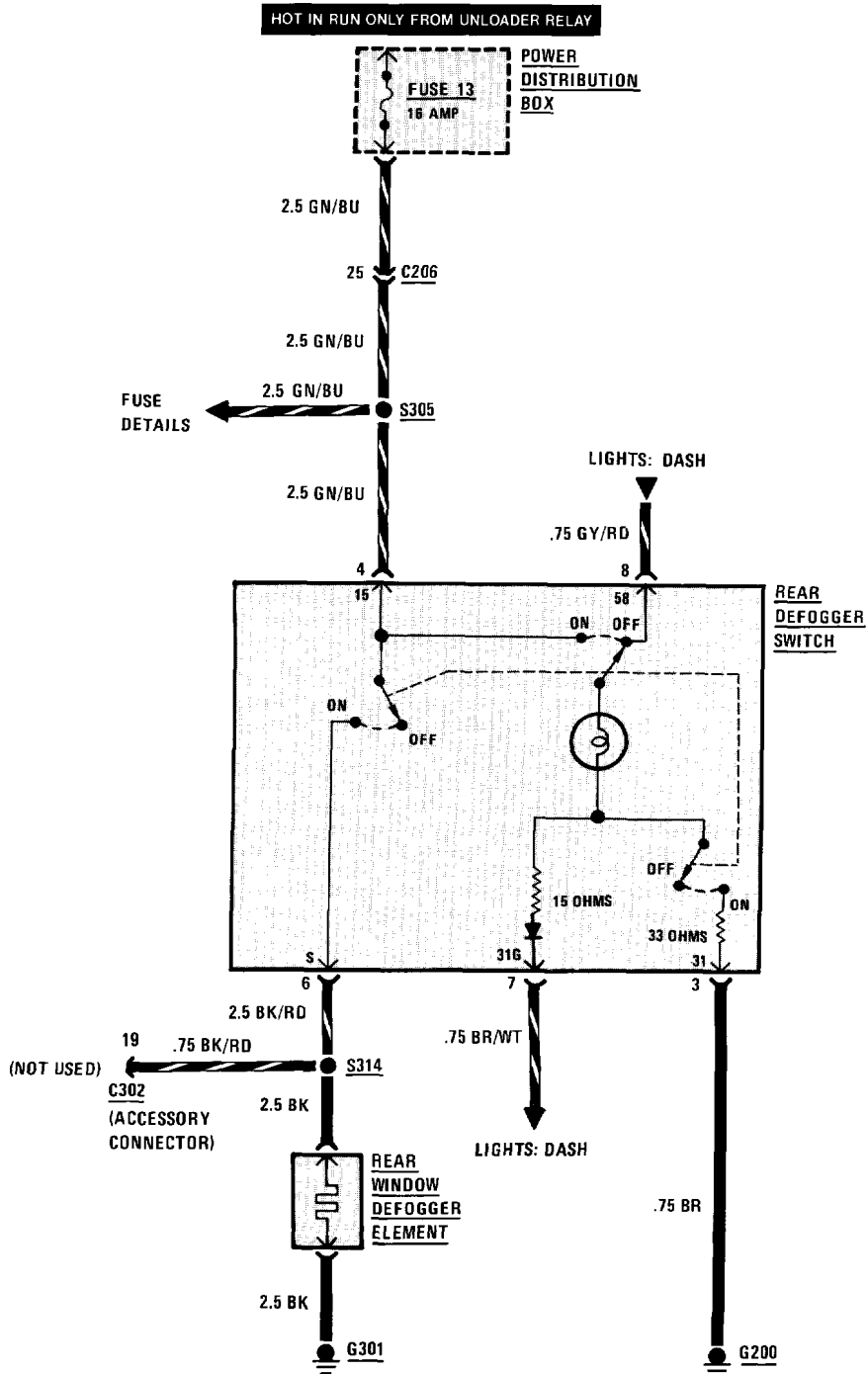


(For Component Location See Page 208)



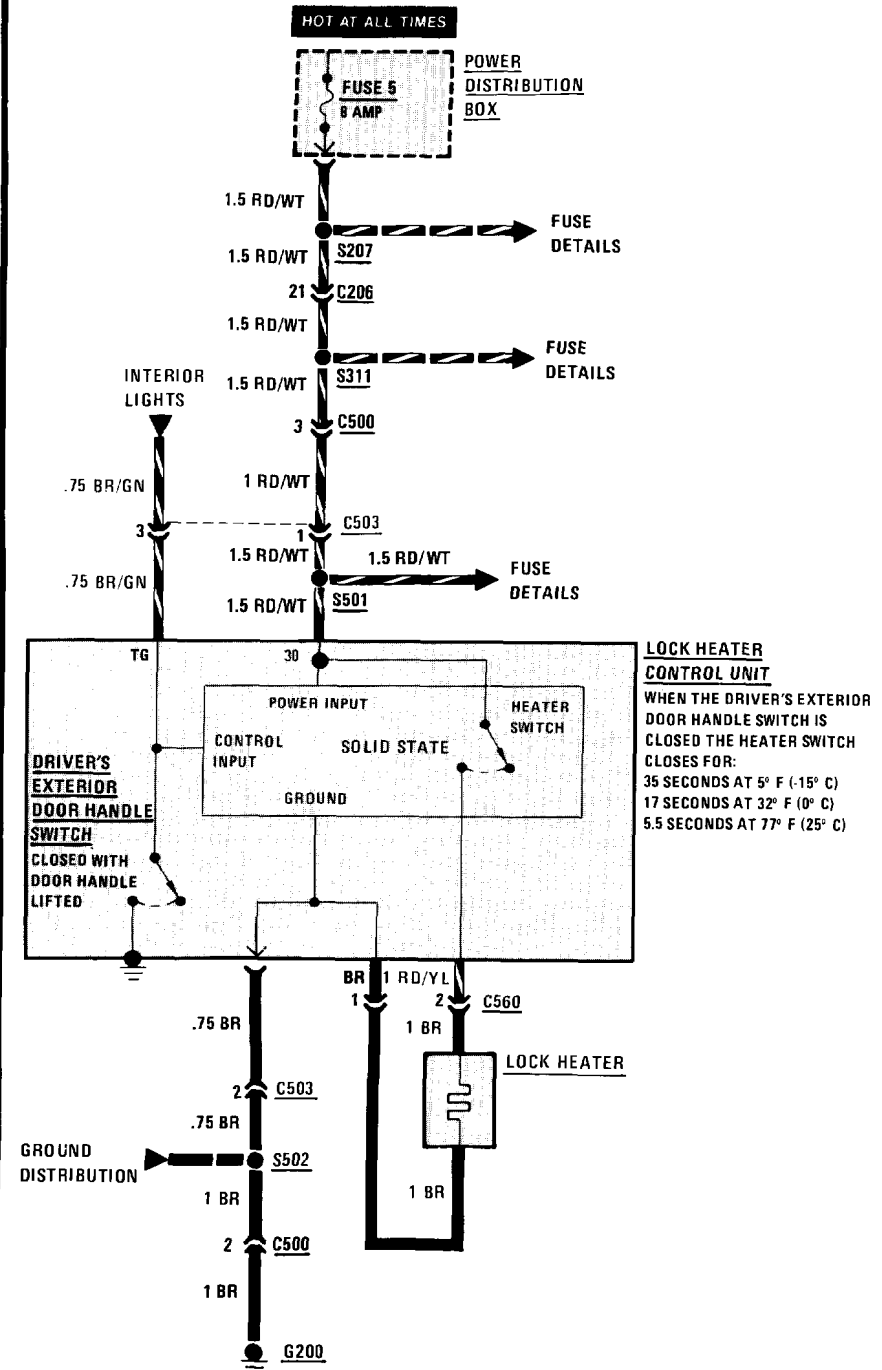
REAR DEFOGGER

(For Component Location See Page 211)



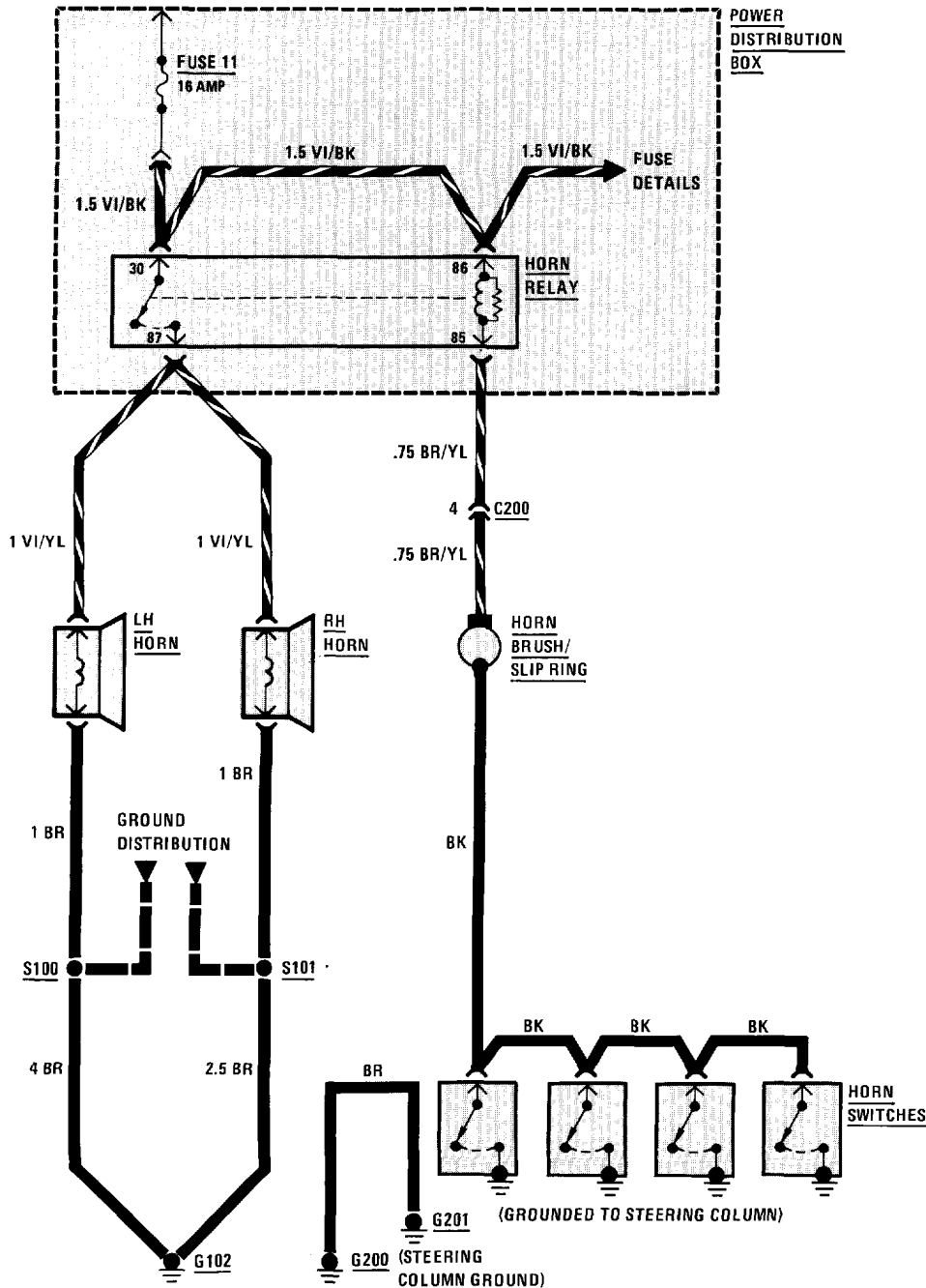
HEATED DOOR LOCK

(For Component Location See Page 211)



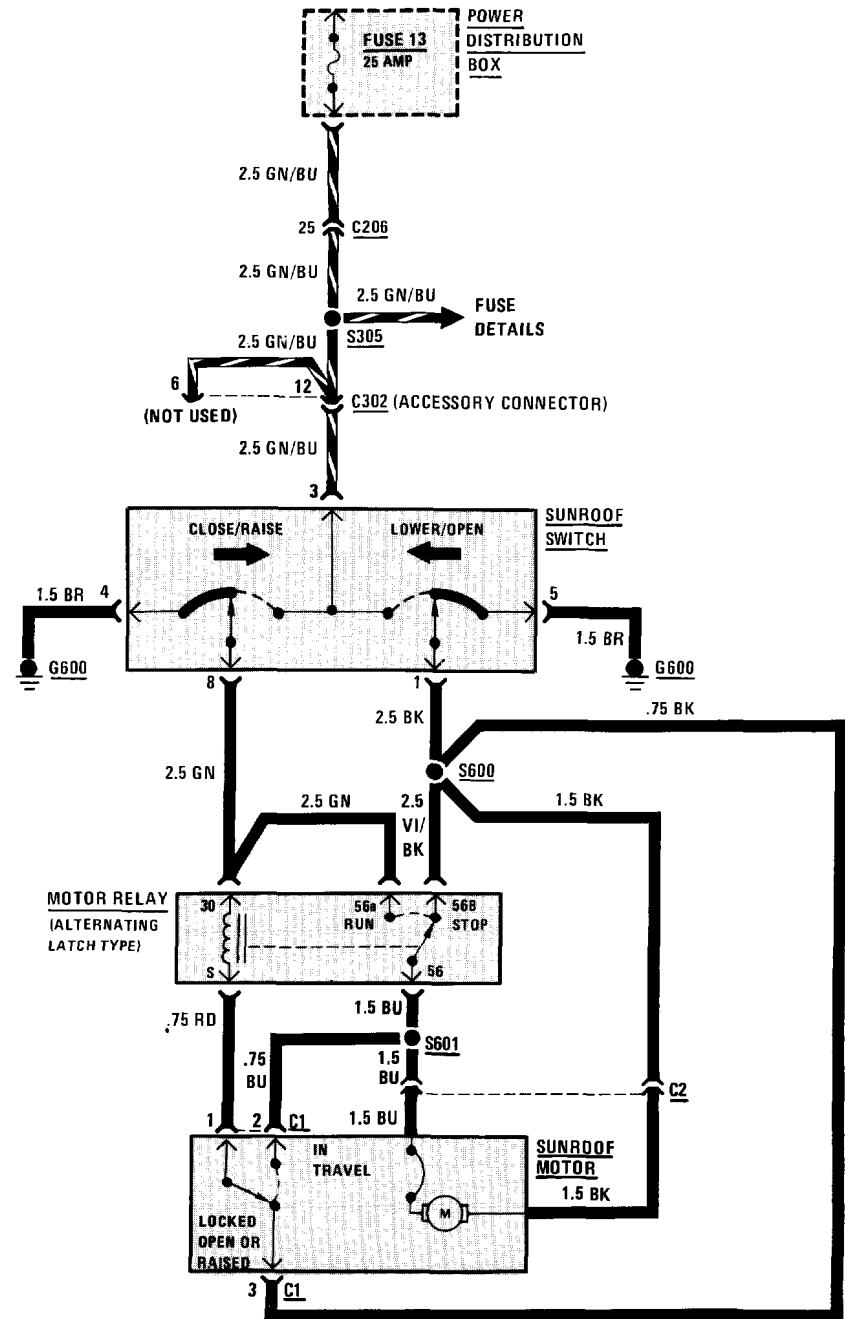
(For Component Locations See Page 206)

HOT IN ACCY. RUN OR START



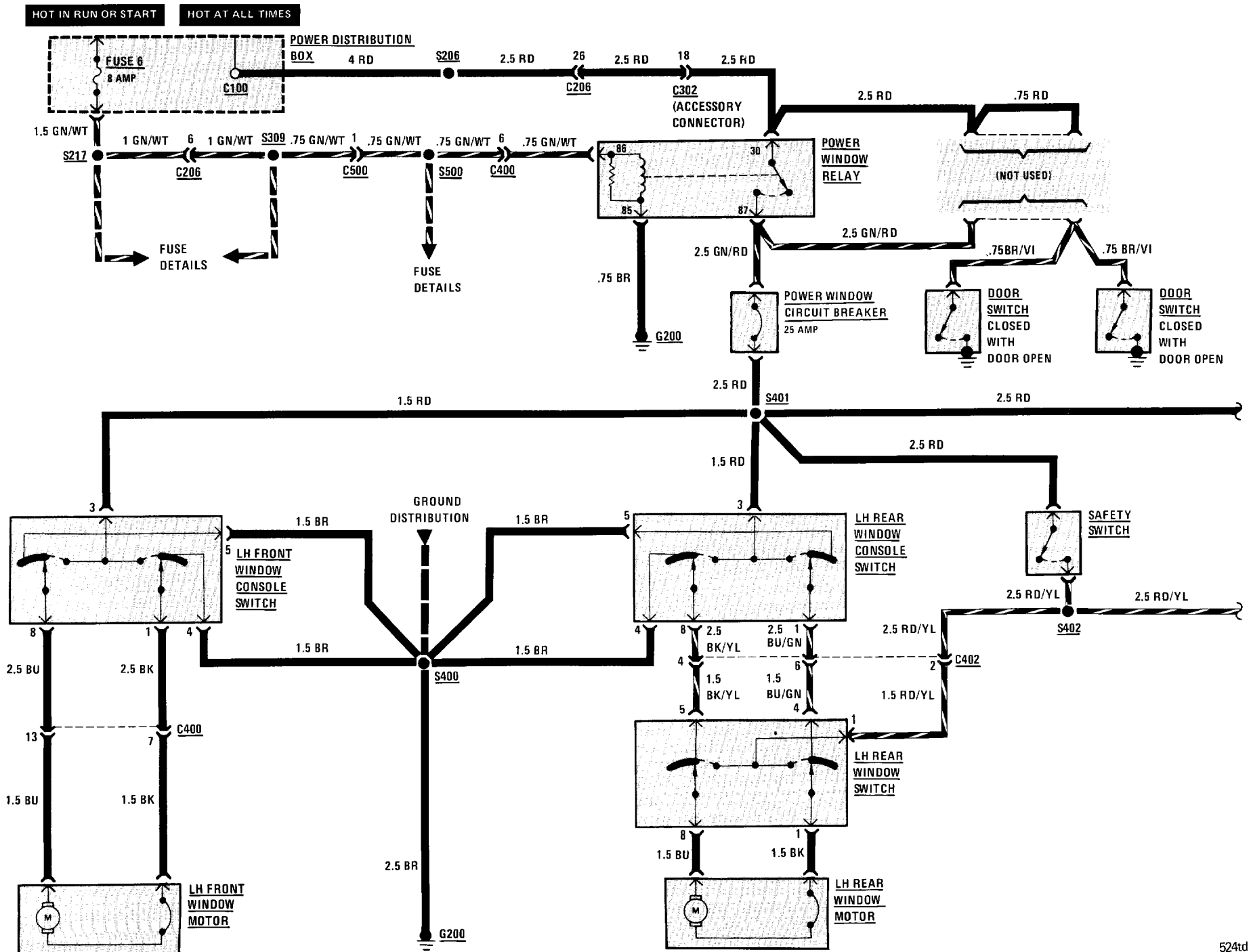
(For Component Locations See Page 206)

HOT IN RUN ONLY FROM UNLOADER RELAY

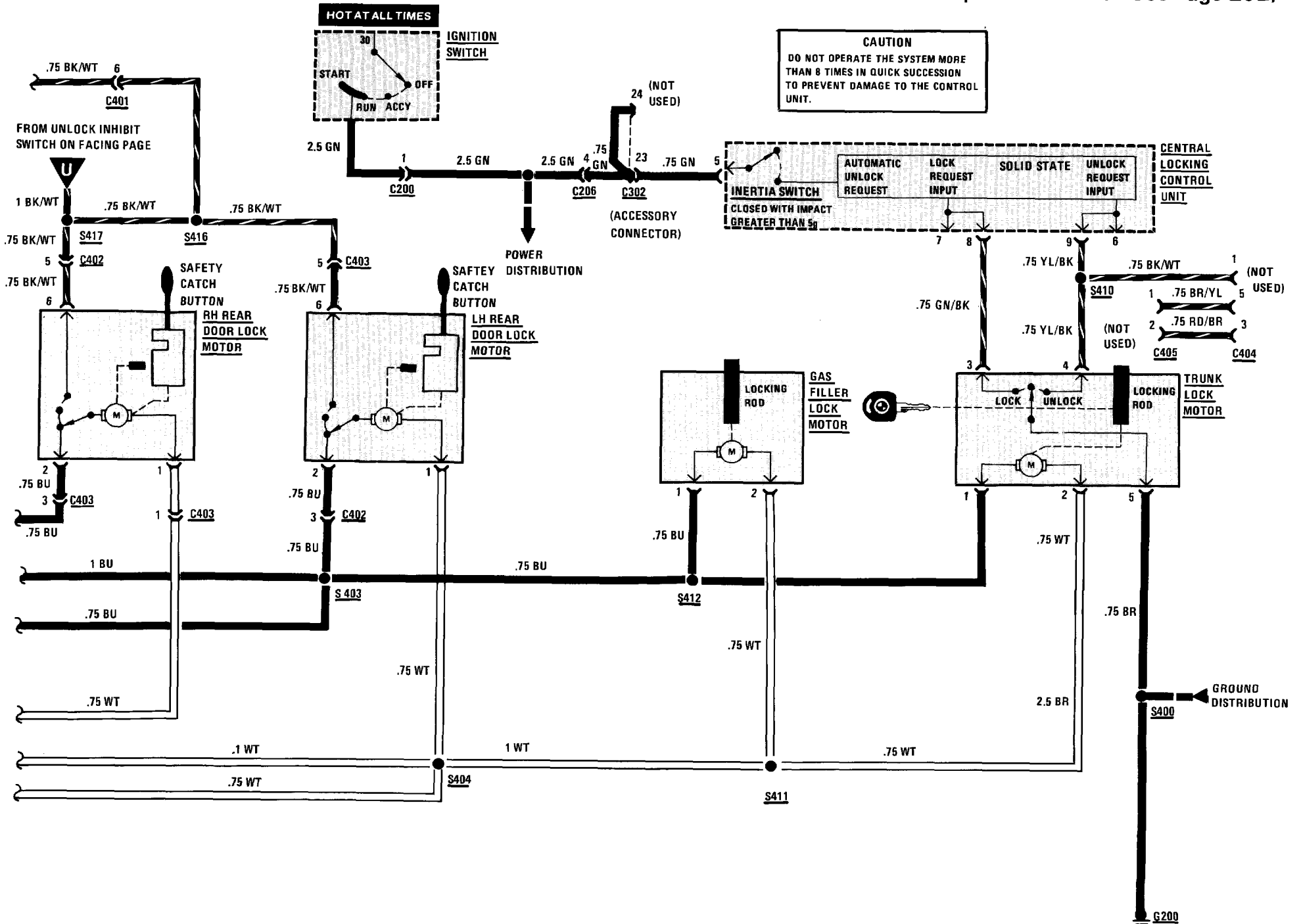


148 POWER WINDOWS

(For Component Location See Page 210)



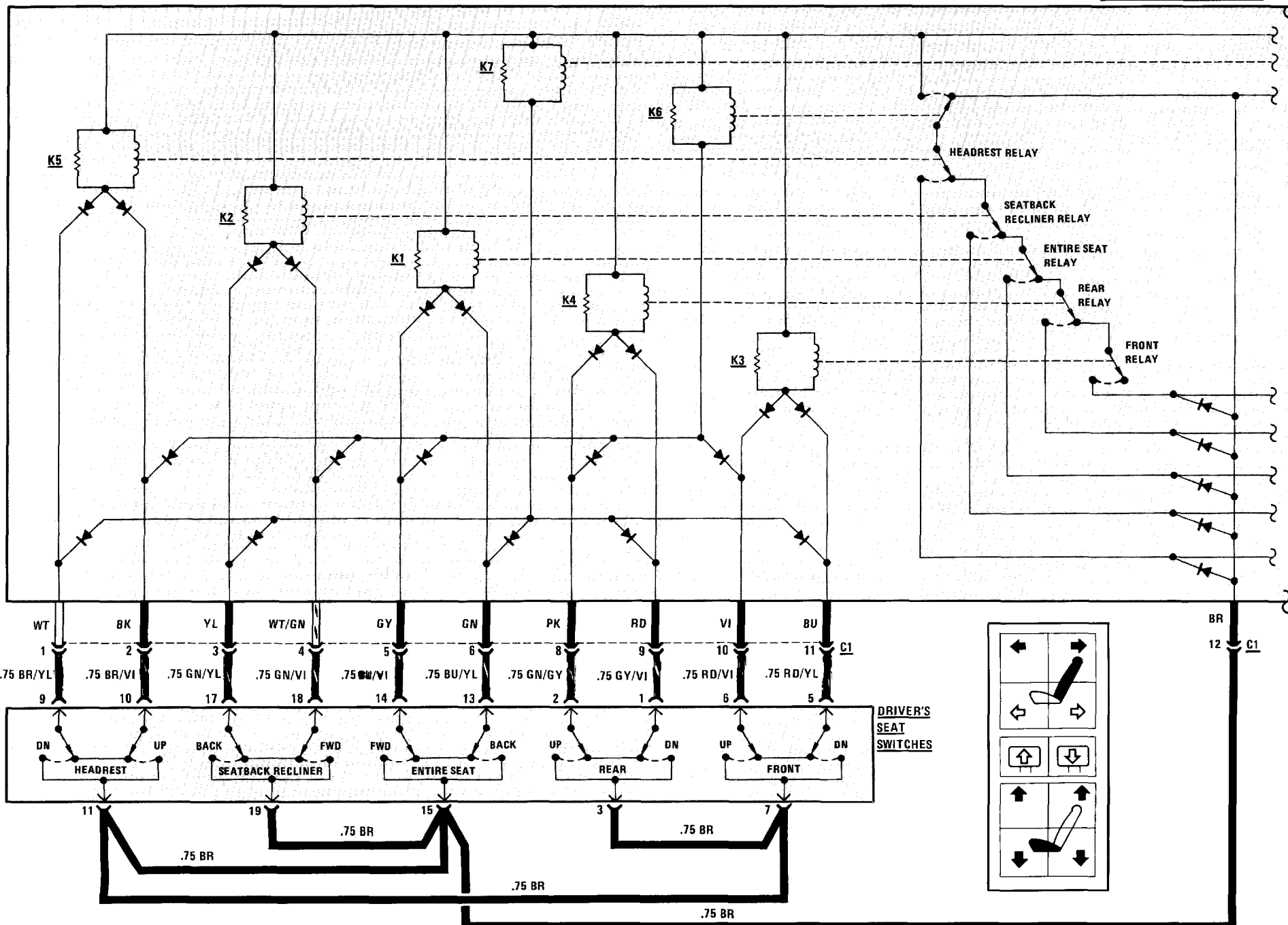
(For Component Location See Page 202)



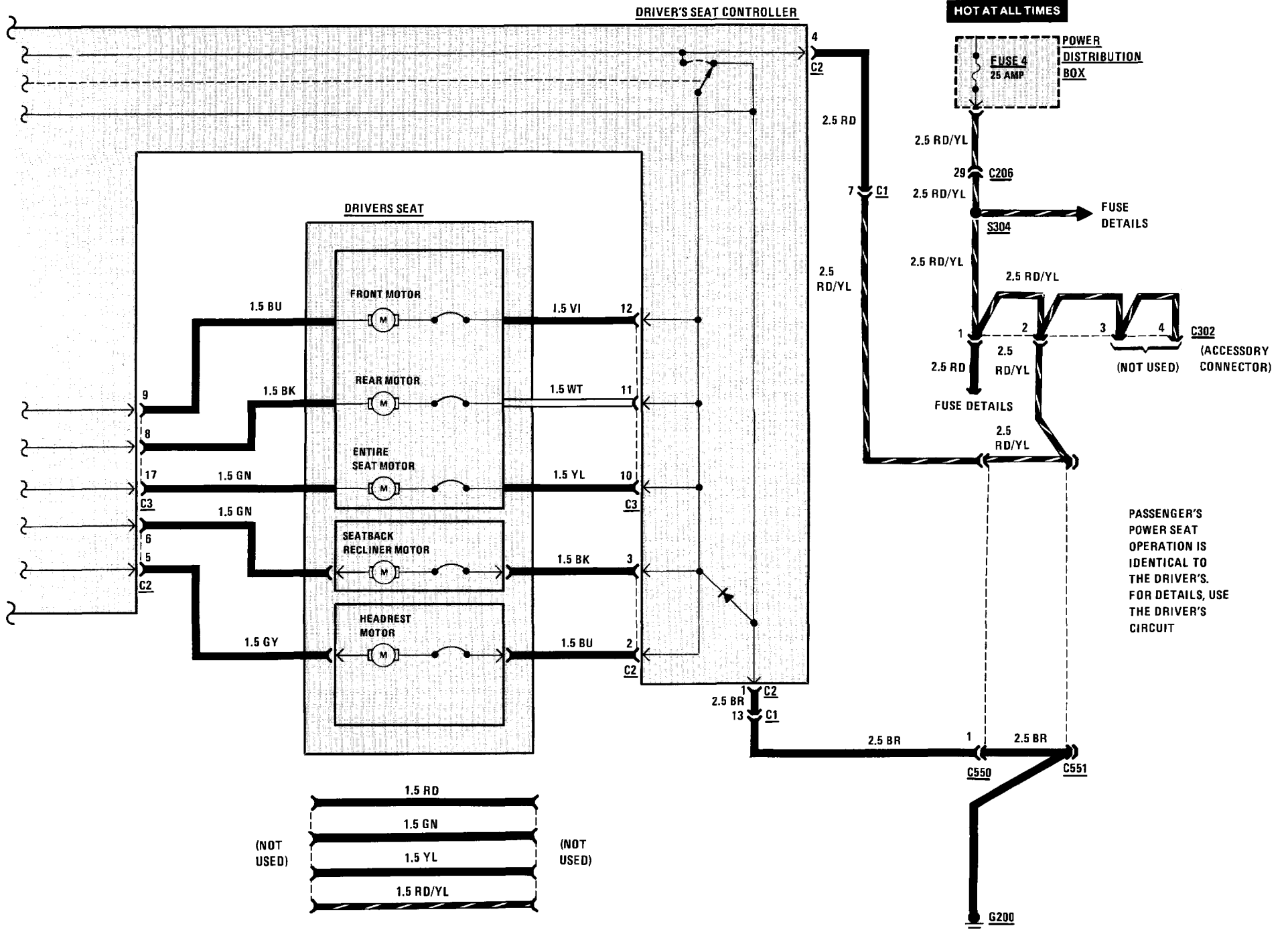
152 POWER SEATS

(For Component Location See Page 210)

DRIVER'S SEAT CONTROLLER



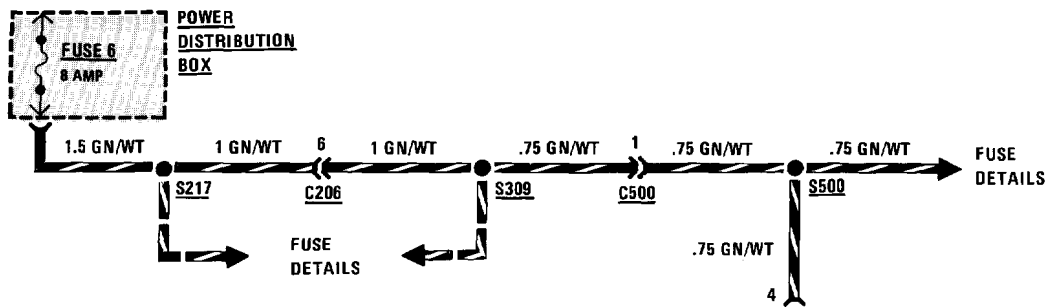
(For Component Location See Page 210)



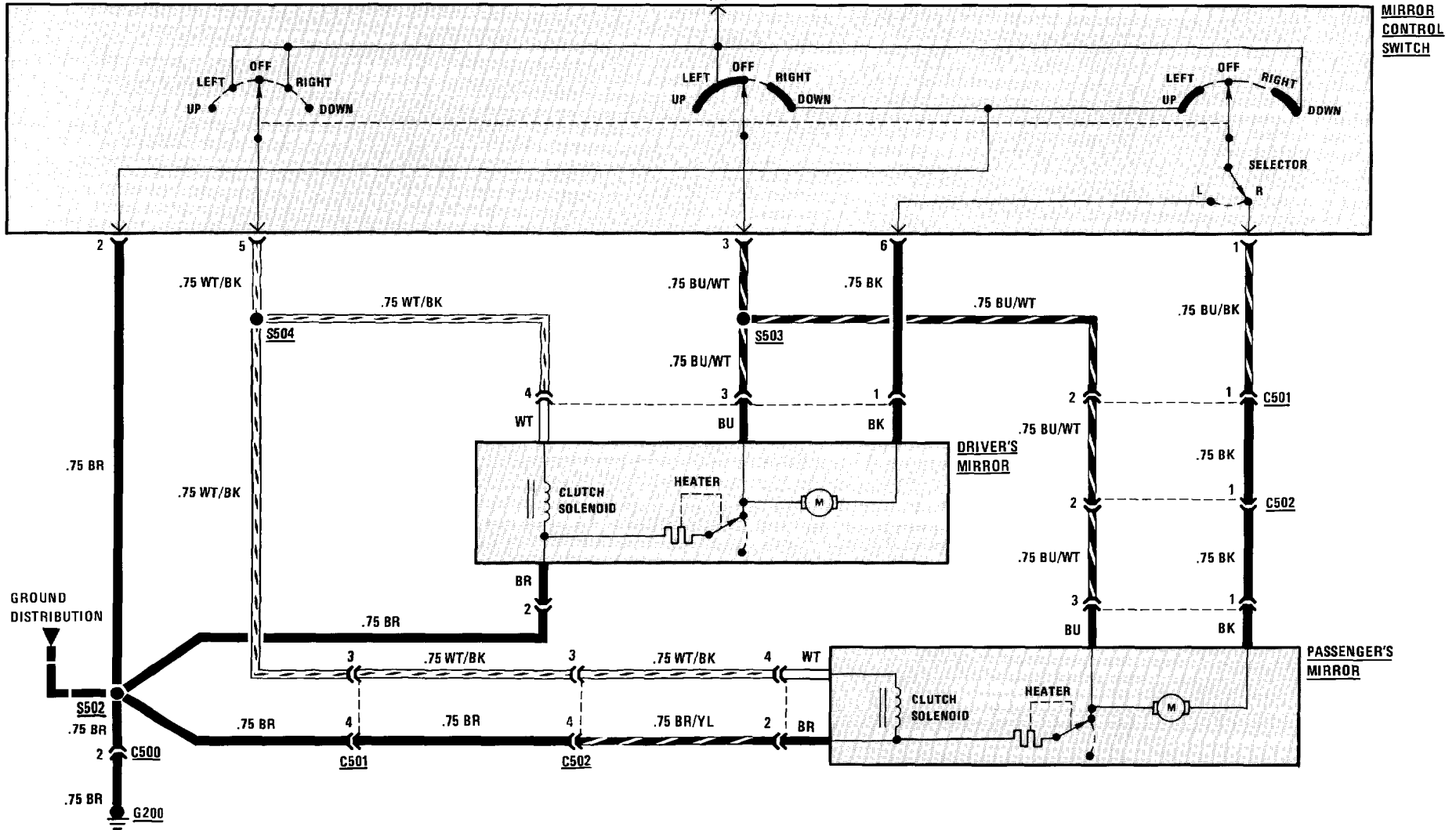
154 POWER MIRRORS

(For Component Location See Page 210)

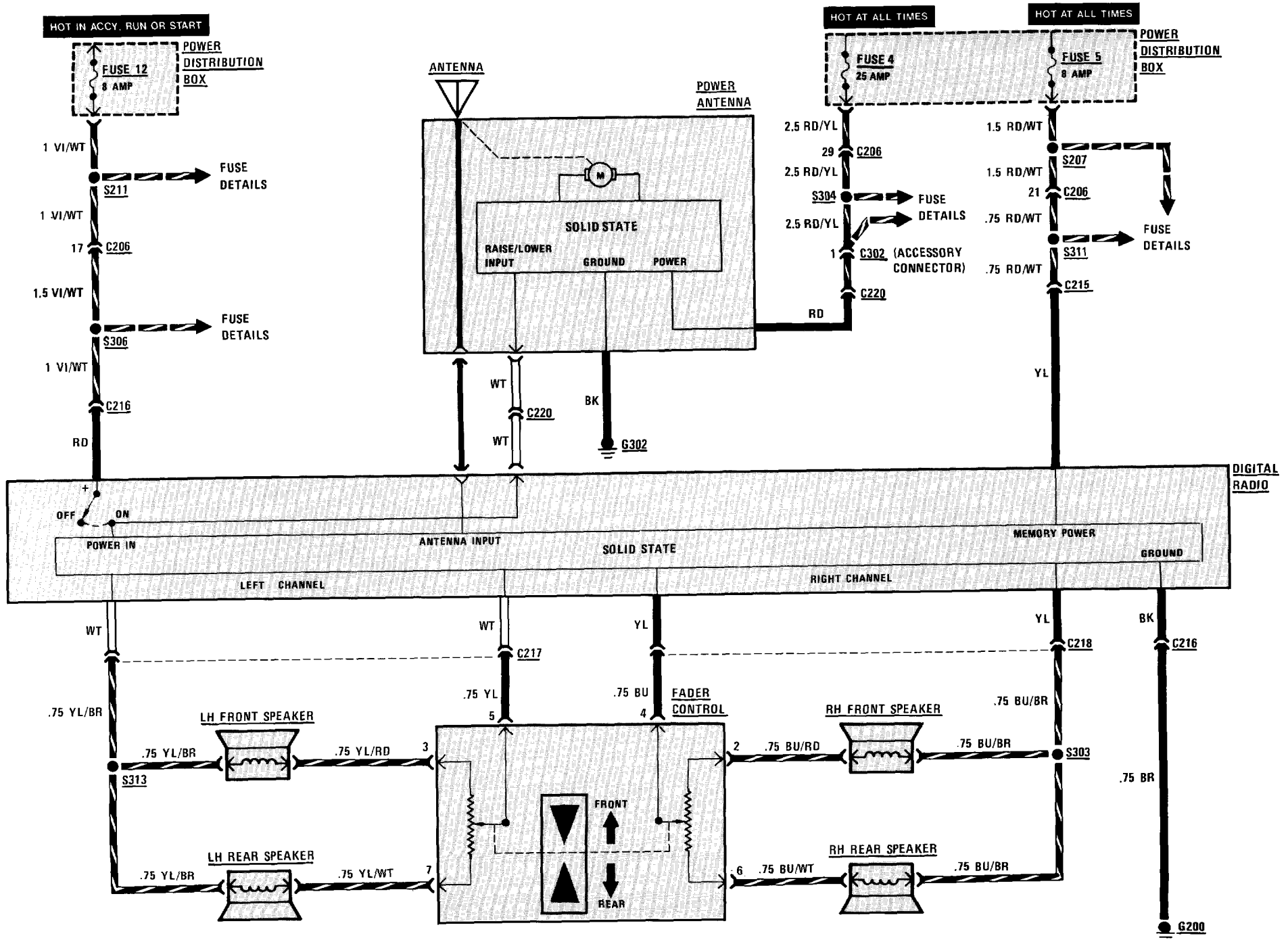
HOT IN RUN OR START



1. MOTOR DIRECTION CONTROLLED BY POLARITY
2. WITH CLUTCH SOLENOID ENERGIZED MOTOR TURNS MIRROR LEFT OR RIGHT
3. ELECTRICALLY HEATED MIRROR TURNS ON BELOW $59 \pm 9^\circ \text{ F}$ AND TURNS OFF ABOVE $122 \pm 18^\circ \text{ F}$



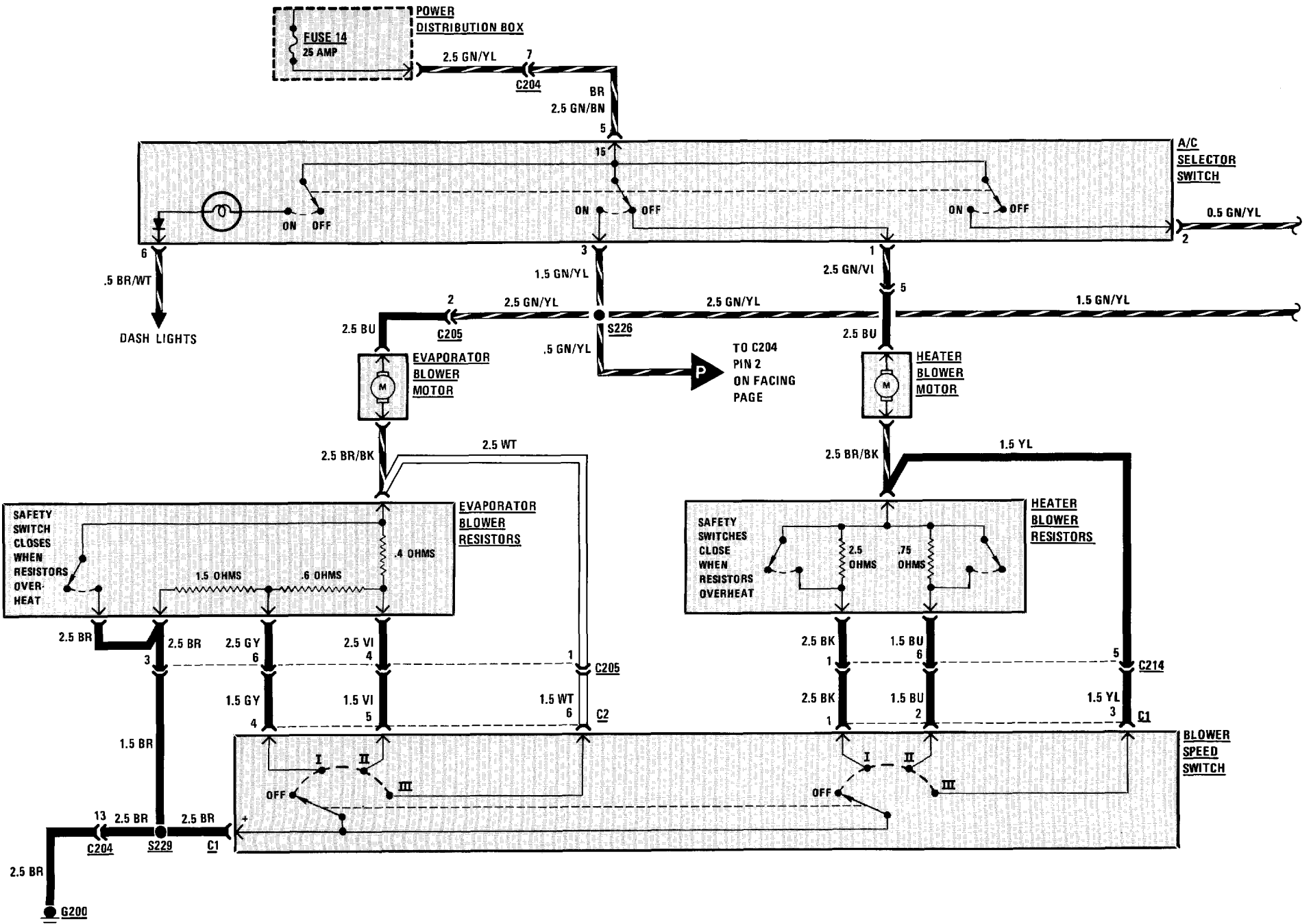
(For Component Locations See Page 211)



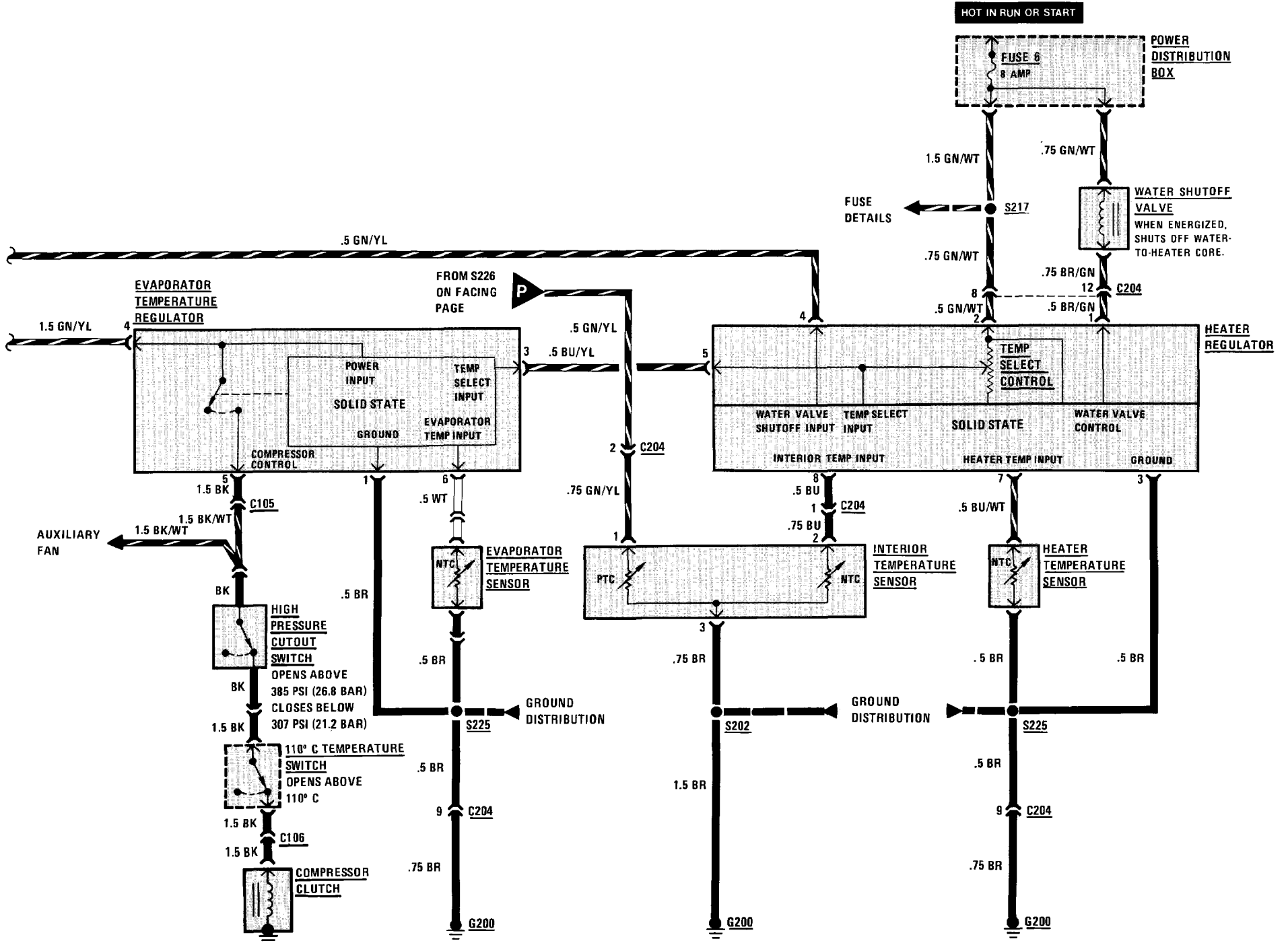
156 HEATER/AIR CONDITIONING (BLOWER)

(For Component Locations See Page 205)

HOT IN RUN ONLY FROM UNLOADER RELAY

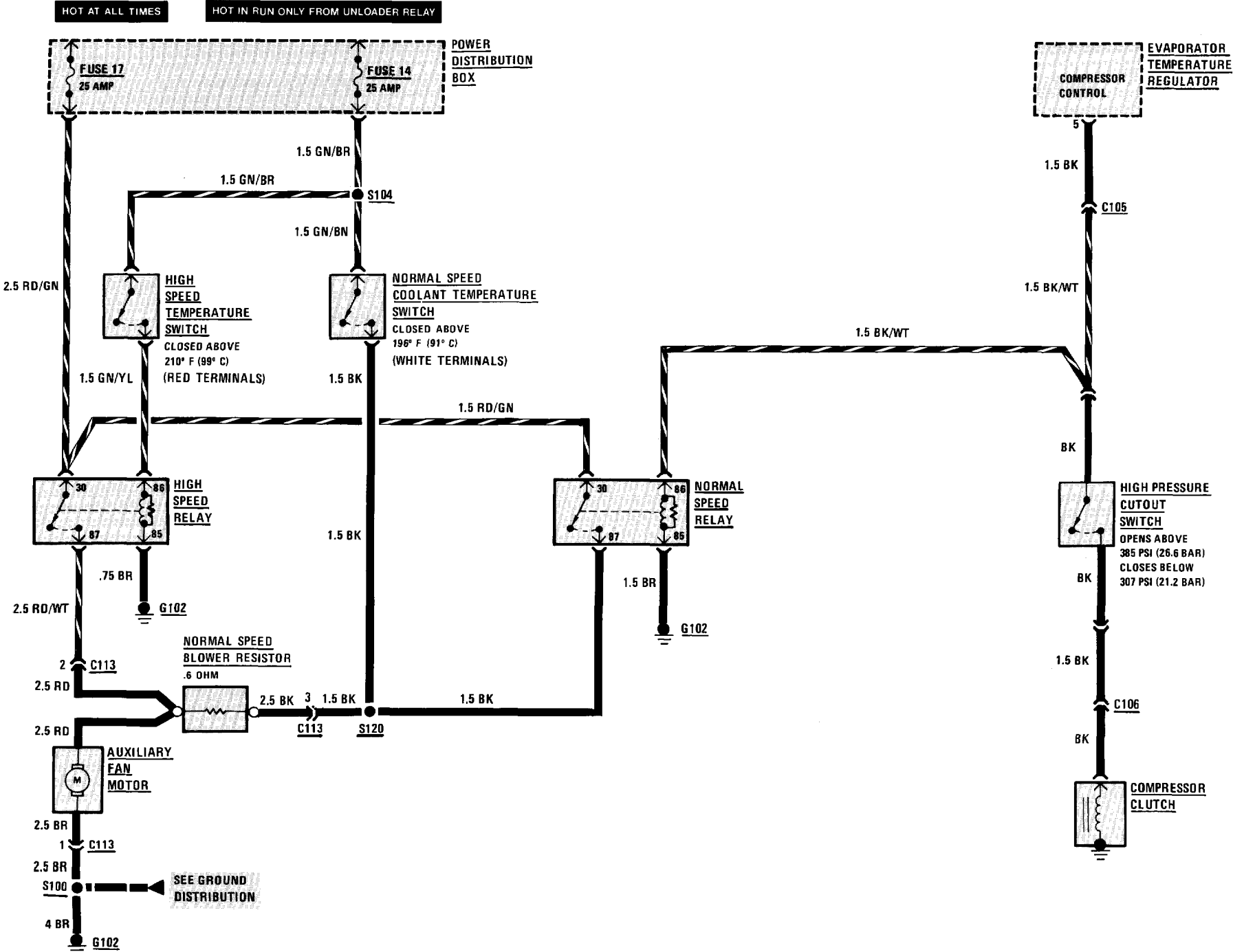


(For Component Location See Page 205)

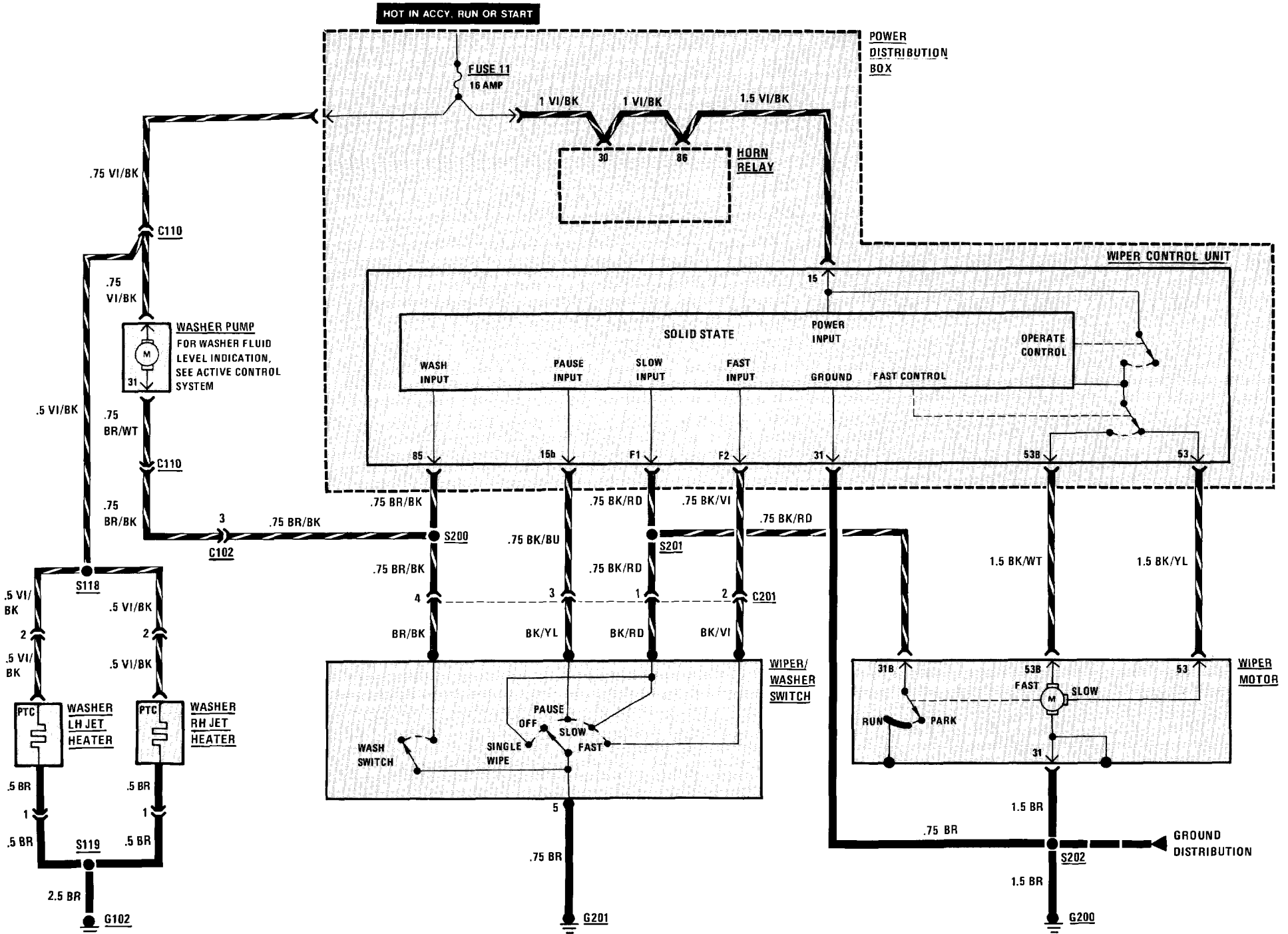


158 AUXILIARY FAN

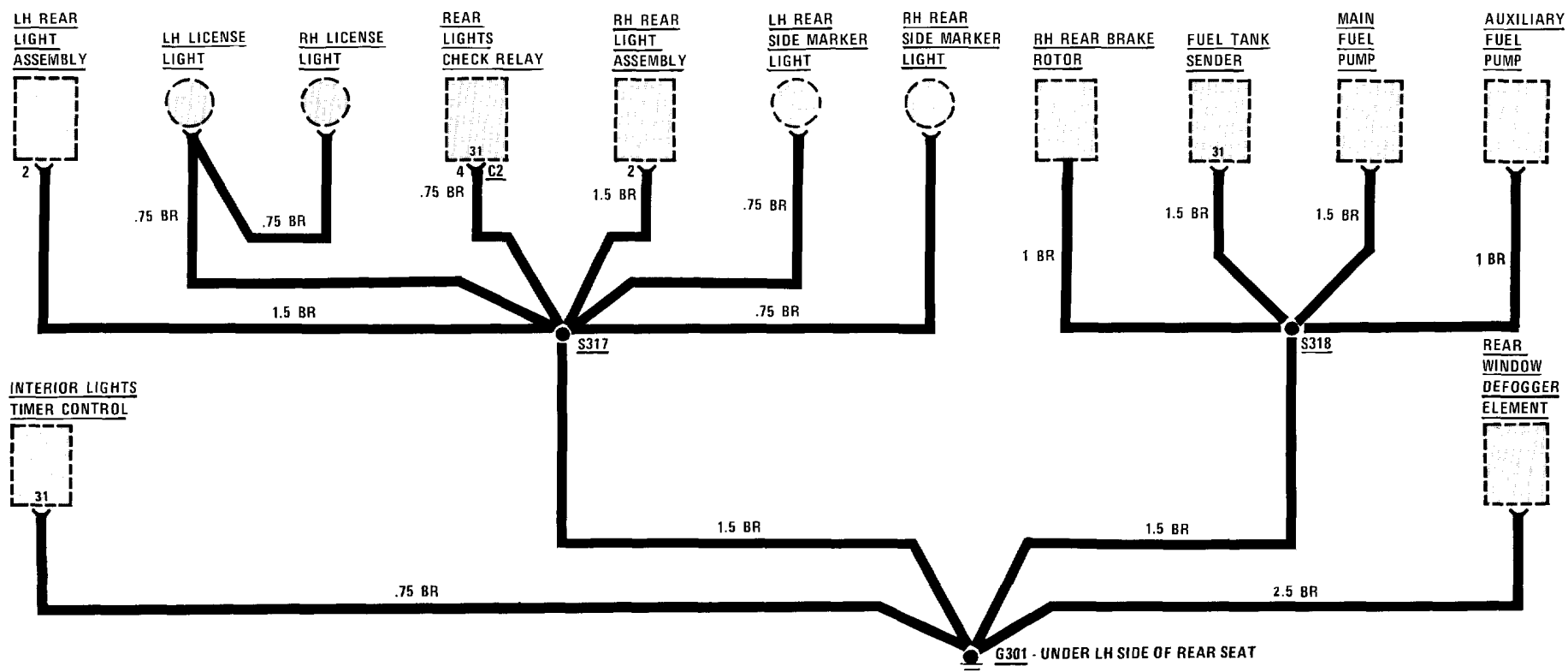
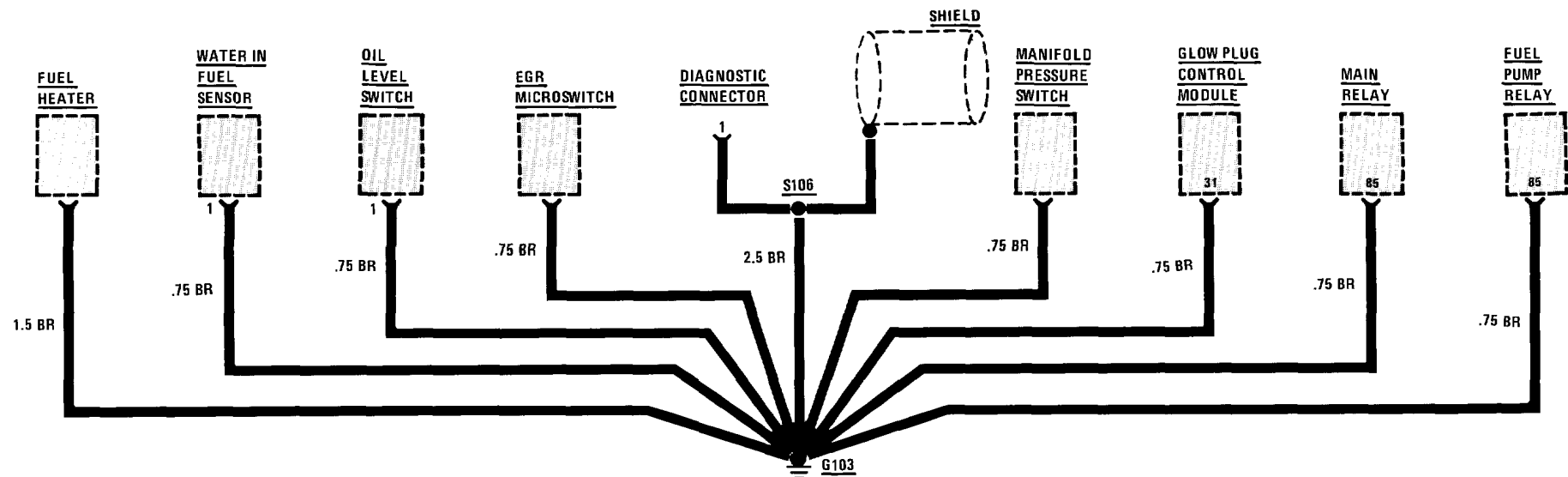
(For Component Location See Page 201)

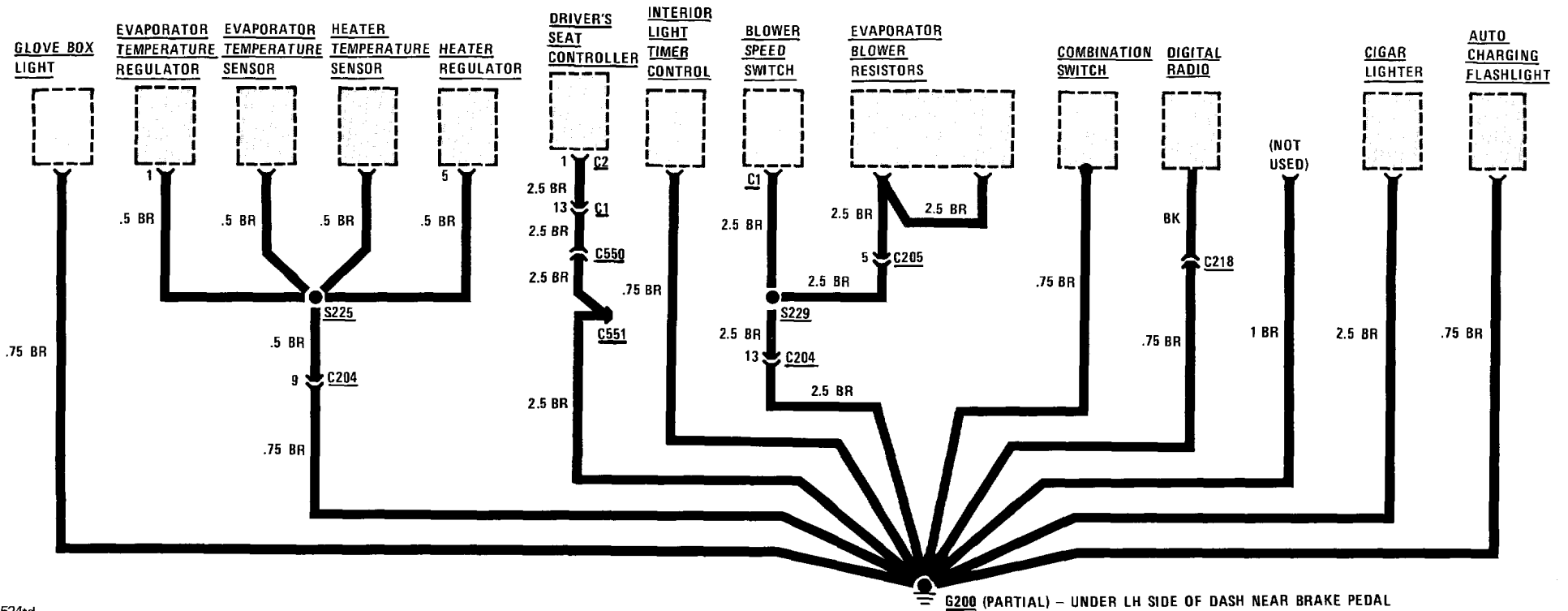
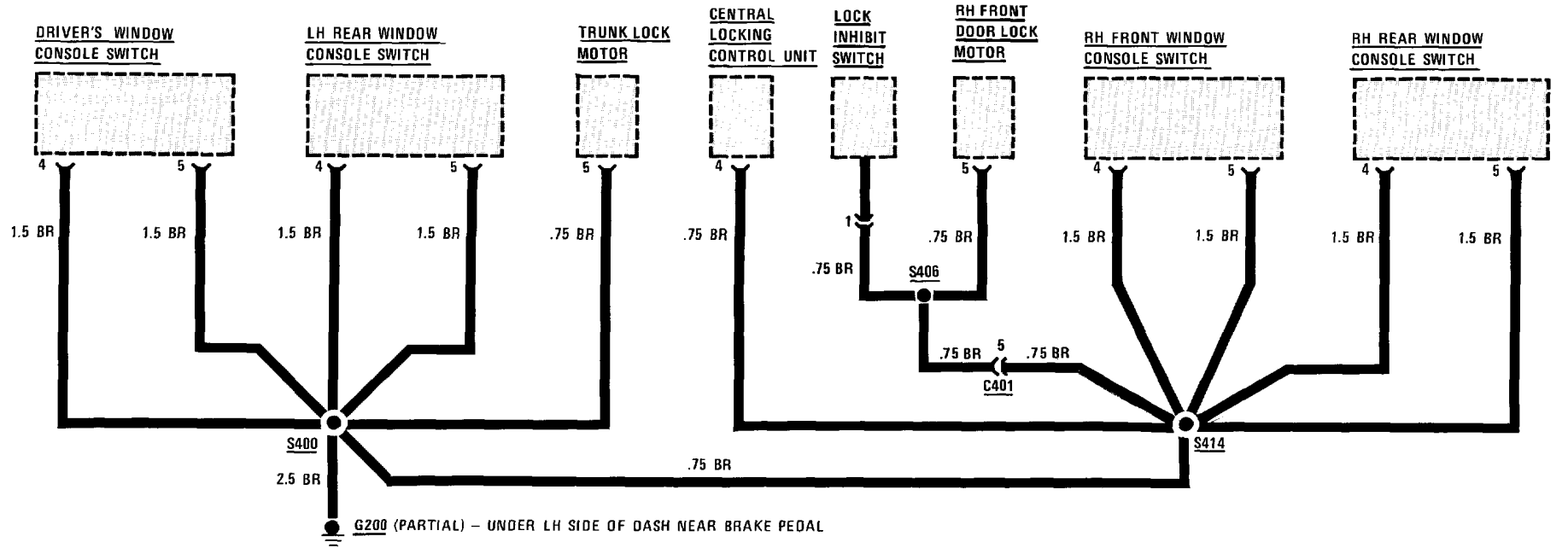


(For Component Location See Page 214)

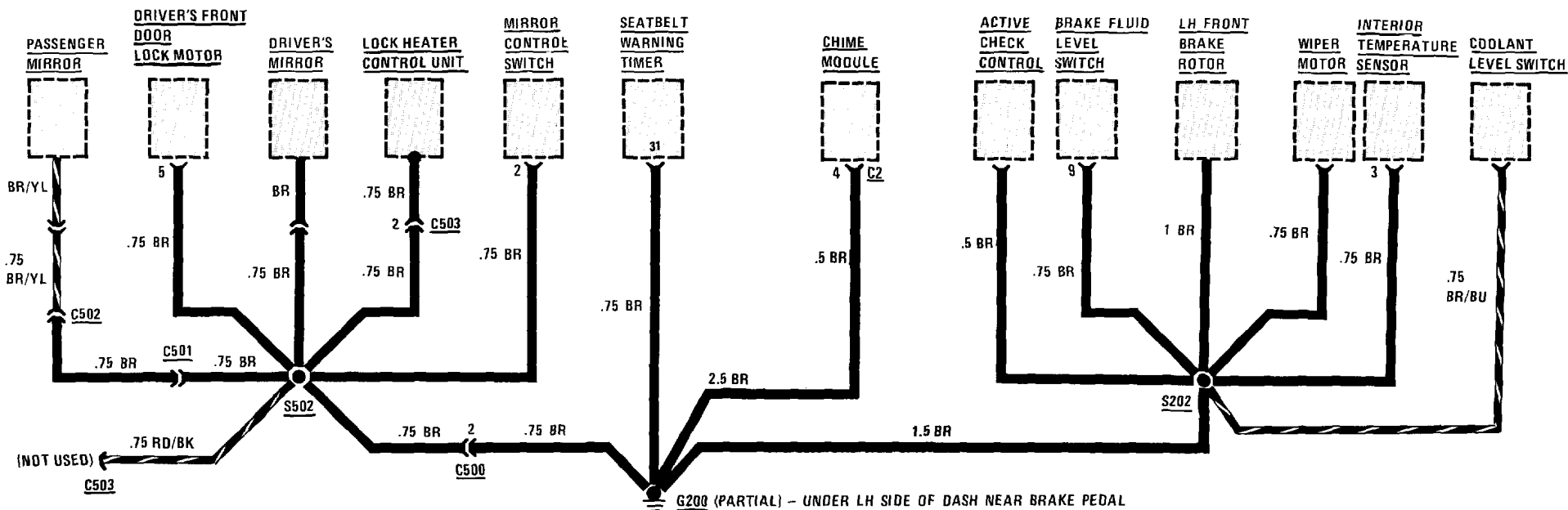
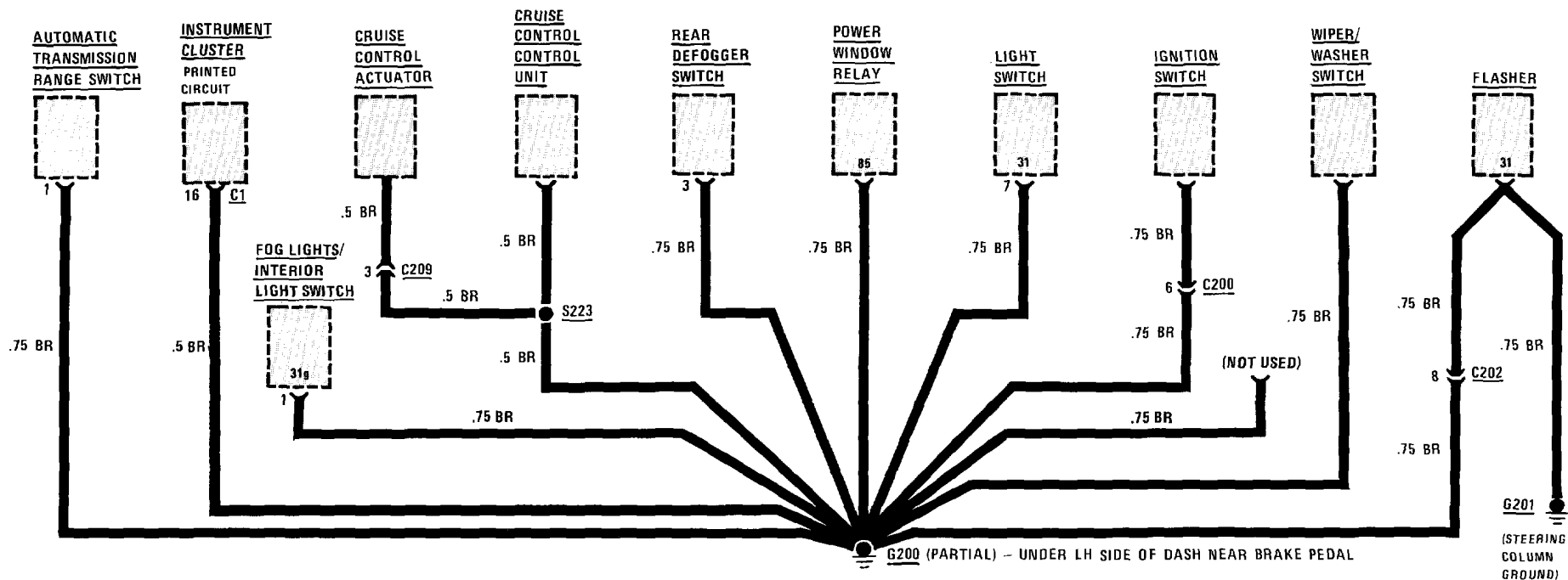


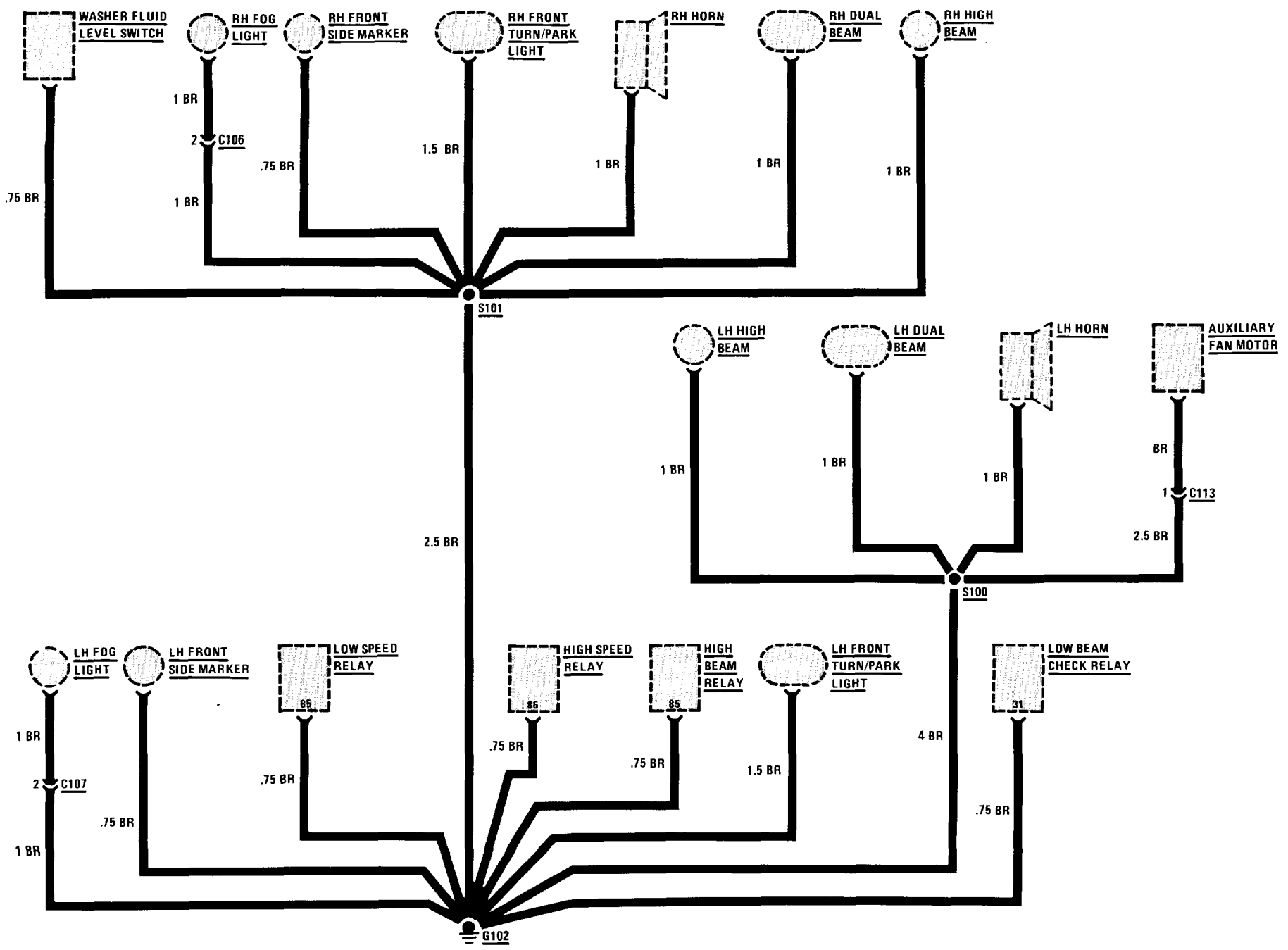
160 GROUND DISTRIBUTION (G103, G301)





162 GROUND DISTRIBUTION (G200)





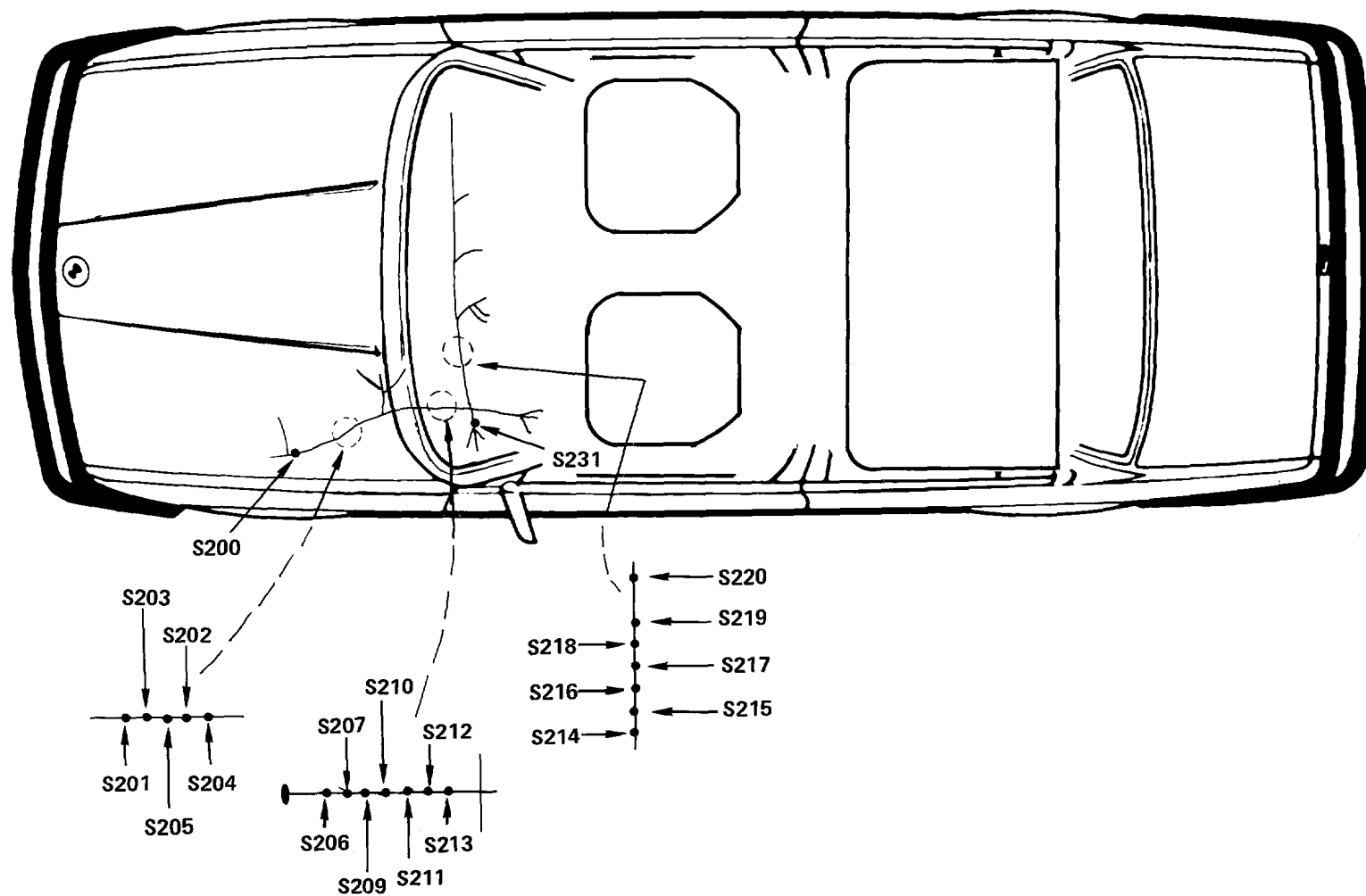
164 INDEX-SPLICE LOCATIONS 524td

This index contains all the splices in the car, what harness each one is in, and the page that the splices appear on. The drawings after the index show how the harness is routed through the car and where the splices are located on the harness.

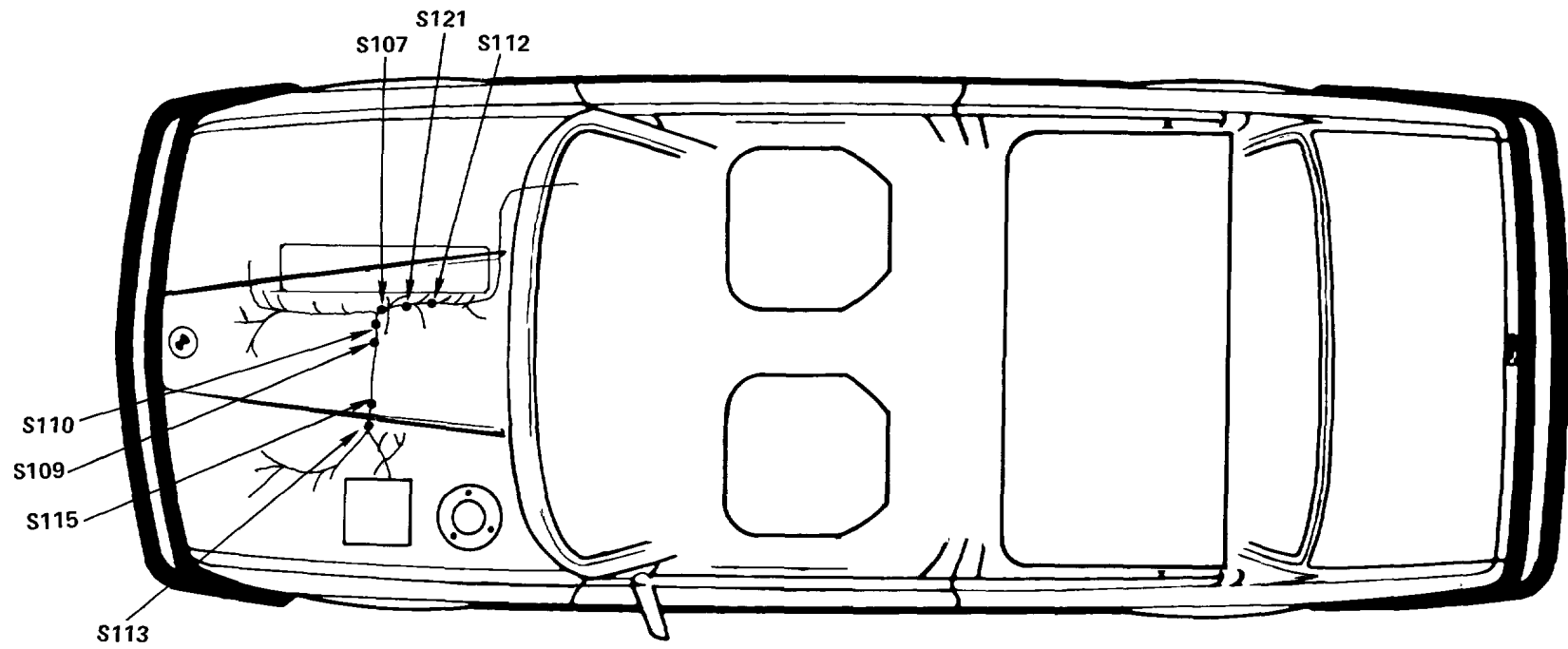
SPLICE	HARNESS	PAGE NUMBER	SPLICE	HARNESS	PAGE NUMBER
S100	FRONT	167	S210	MIDDLE	165
S101	FRONT	167	S211	MIDDLE	165
S102	FRONT	167	S212	MIDDLE	165
S103	FRONT	167	S213	MIDDLE	165
S104	FRONT	NOT SHOWN	S214	MIDDLE	165
S107	ENGINE	166	S215	MIDDLE	165
S109	ENGINE	166	S216	MIDDLE	165
S110	ENGINE	166	S217	MIDDLE	165
S112	ENGINE	166	S218	MIDDLE	165
S113	ENGINE	166	S219	MIDDLE	165
S115	ENGINE	166	S220	MIDDLE	165
S118	HEATED WASHER JETS	NOT SHOWN	S221	CRUISE CONTROL	170
S119	HEATED WASHER JETS	NOT SHOWN	S222	CRUISE CONTROL	170
S120	FRONT	167	S222	CRUISE CONTROL	170
S121	ENGINE	166	S223	CRUISE CONTROL	170
S200	MIDDLE	165	S224	CRUISE CONTROL	170
S201	MIDDLE	165	S225	A/C	NOT SHOWN
S202	MIDDLE	165	S226	A/C	NOT SHOWN
S203	MIDDLE	165	S227	A/C	NOT SHOWN
S204	MIDDLE	165	S228	A/C	170
S205	MIDDLE	165	S229	A/C	170
S206	MIDDLE	165	S230	MIDDLE	NOT SHOWN
S207	MIDDLE	165			
S209	MIDDLE	165			

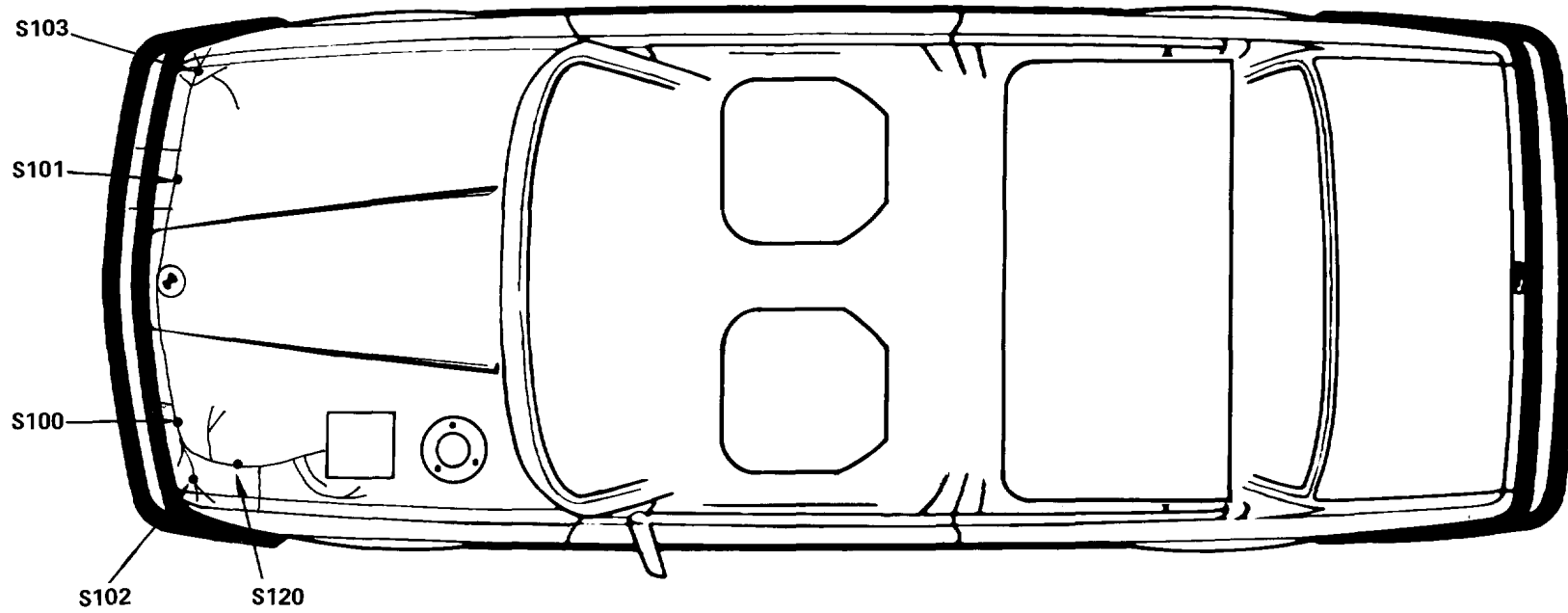
SPLICE	HARNESS	PAGE NUMBER	SPLICE	HARNESS	PAGE NUMBER
S231	MIDDLE	165	S407	ELEC LOCK/ CENTRAL LOCK	169
S300	REAR	168	S408	ELEC LOCK/ CENTRAL LOCK	169
S303	REAR	168	S409	ELEC LOCK/ CENTRAL LOCK	NOT SHOWN
S304	REAR	168	S410	ELEC LOCK/ CENTRAL LOCK	169
S305	REAR	168	S411	ELEC LOCK/ CENTRAL LOCK	169
S306	REAR	168	S412	ELEC LOCK/ CENTRAL LOCK	169
S308	REAR	168	S414	ELEC LOCK/ CENTRAL LOCK	169
S309	REAR	168	S415	ELEC LOCK/ CENTRAL LOCK	169
S310	REAR	168	S416	ELEC LOCK/ CENTRAL LOCK	169
S311	REAR	168	S417	ELEC LOCK/ CENTRAL LOCK	169
S312	REAR	168	S418	DOOR	171
S313	REAR	168	S500	DOOR	171
S314	REAR	168	S501	DOOR	171
S315	REAR	168	S502	DOOR	171
S316	REAR	168	S503	DOOR	171
S317	REAR	168	S504	DOOR	171
S318	REAR	168	S509	REAR	168
S320	REAR	168	S600	SUNROOF	NOT SHOWN
S400	ELEC LOCK/ CENTRAL LOCK	169	S601	SUNROOF	NOT SHOWN
S401	ELEC LOCK/ CENTRAL LOCK	169			
S402	ELEC LOCK/ CENTRAL LOCK	169			
S403	ELEC LOCK/ CENTRAL LOCK	169			
S404	ELEC LOCK/ CENTRAL LOCK	169			
S405	ELEC LOCK/ CENTRAL LOCK	169			
S406	ELEC LOCK/ CENTRAL LOCK	169			

BLANK

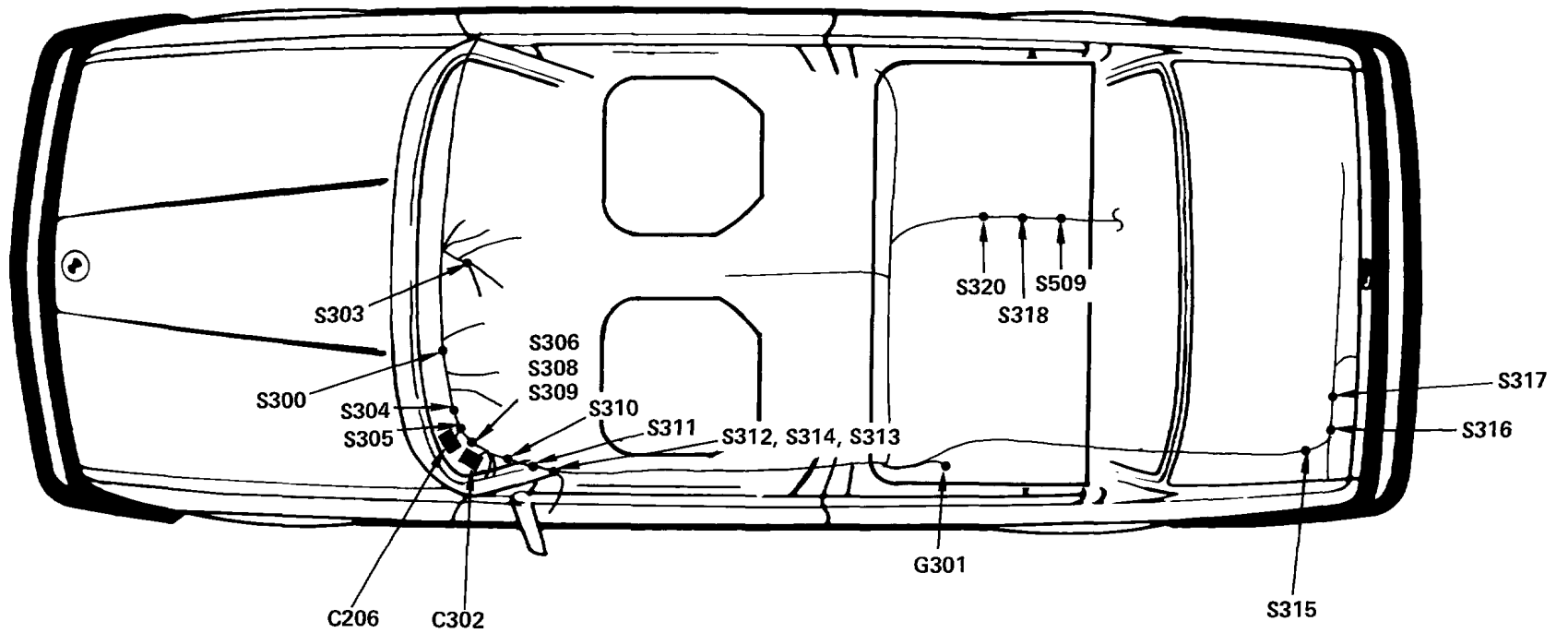


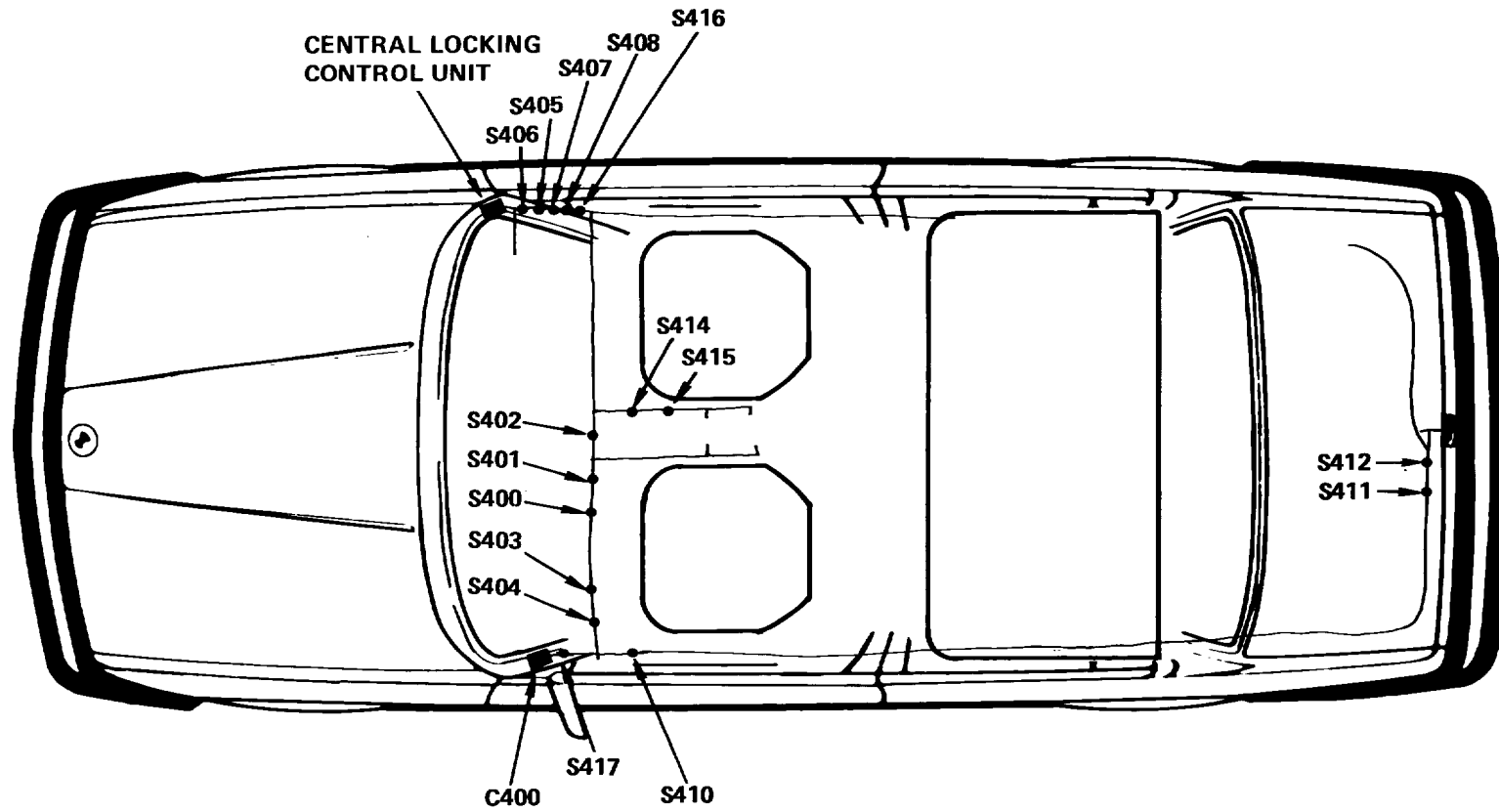
166 ENGINE HARNESS SPLICE LOCATIONS



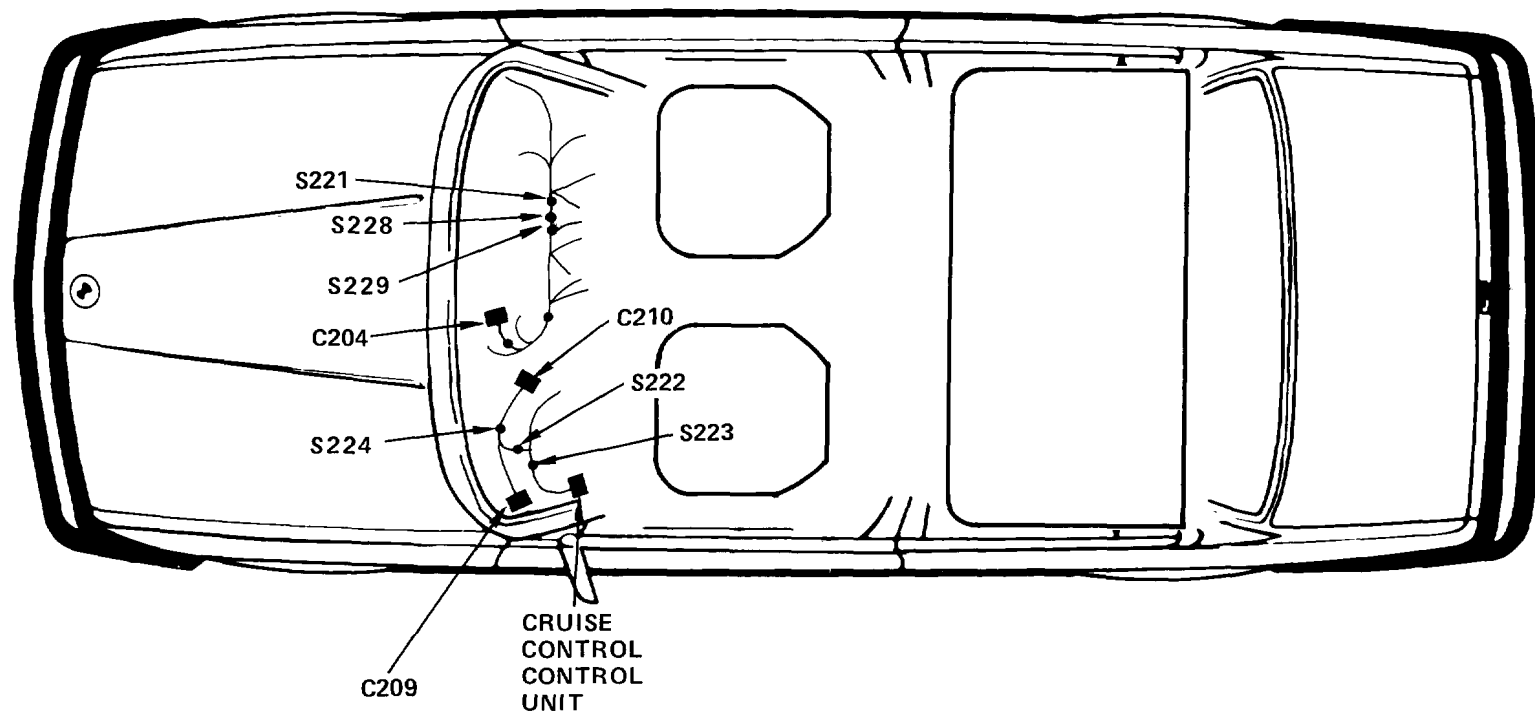


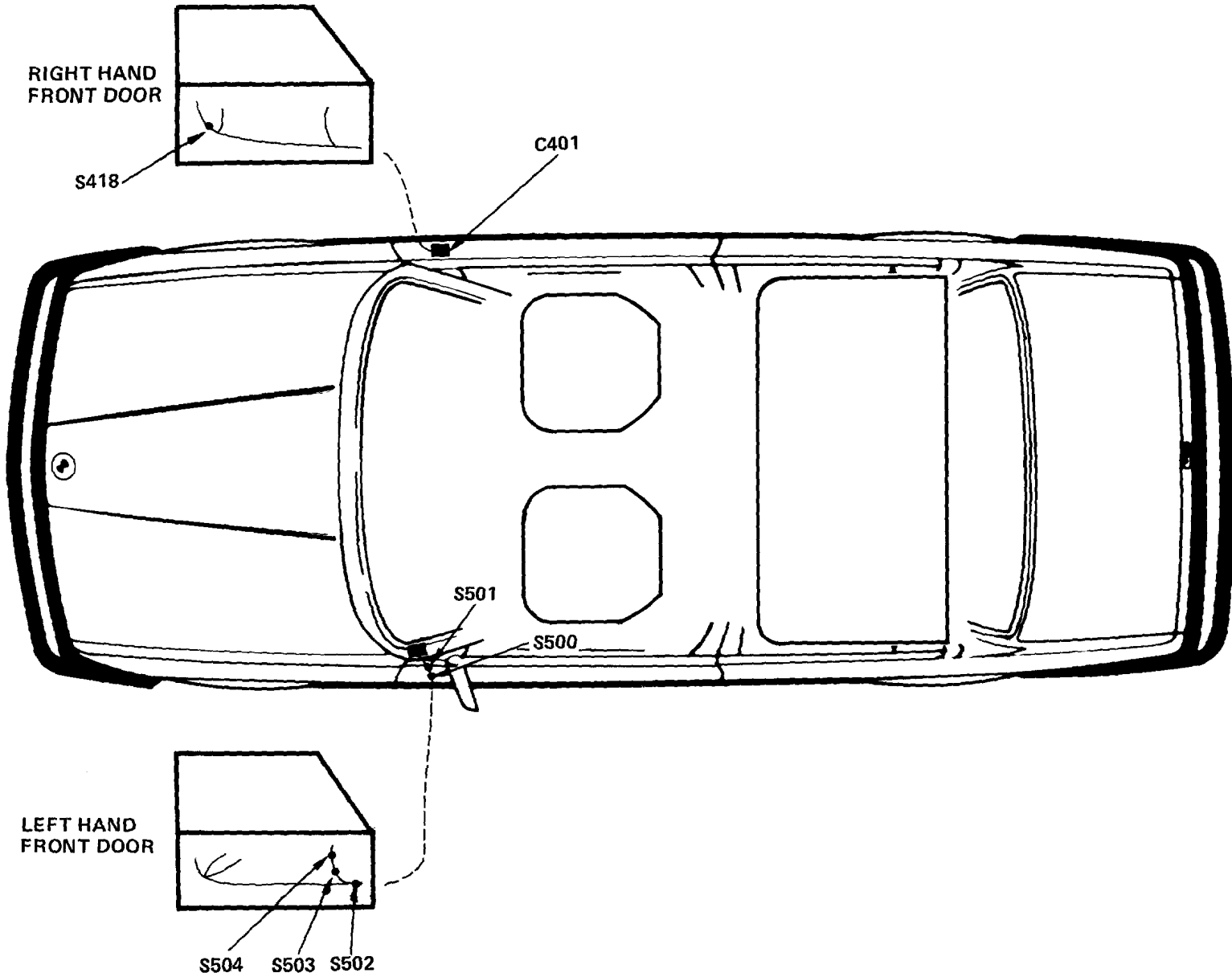
168 REAR HARNESS SPLICE LOCATIONS





170 A/C AND CRUISE HARNESSES SPLICE LOCATIONS





ACTIVE CHECK CONTROL

Active Check Control Unit.....	Above rear view mirror.....	128-1
Brake Switch	Above brake pedal.....	207-3
Coolant Level Switch	On LH front wheel well in coolant reservoir	212-6
Low Beam Check Relay	Attached to power distribution box	102-1
Timing Control Unit.....	Above glove box	204-1
Oil Level Sensor.....	Bottom of engine oil pan	210-2
Power Distribution Box.....	On LH front wheel well.....	102-1
Rear Lights Check Relay.....	Mounted on trunk lock support.....	201-1
Seatbelt Warning Timer	Under LH side of dash	
Water In Fuel Sensor.....	Ahead of LH front wheel well under fuel filter	202-1
Washer Fluid Level Switch	In reservoir, behind LH headlights	211-1
C101 (17 pin).....	In power distribution box	205-1
C102 (7 pin).....	In power distribution box	205-1
C206 (29 pin)	On connector bracket under LH side of dash.....	206-1
G102 (Main Body Ground)).....	On fender well behind LH headlights	
G103 (Engine Ground)	LH rear of engine	
G200 (Front Interior Ground)	Behind LH headlight	203-1
G301 (Rear Interior Ground)	Under LH side of rear seat	208-1

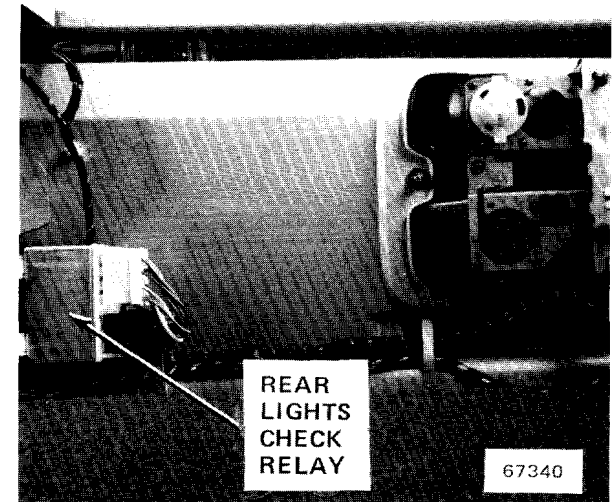


Figure 1 – Rear LH Side of Trunk

AUXILIARY FAN

Auxiliary Fan Motor.....	Forward of radiator	214-3
Evaporator Temp. Regulator	On LH side of heater/evaporator housing	212-1
High Pressure Cut-Out Switch ...	On receiver-drier behind RH headlights	207-4
High Speed Cool. Temp. Switch..	On upper LH side of radiator (red terminals).....	212-2
High Speed Relay	Attached to power distribution box	102-1
Normal Speed Blower Resistor ...	Ahead of radiator, on auxiliary fan shield	207-6
Normal Speed Cool. Temp. Switch.....	On upper LH side of radiator (white terminals).....	212-2
Normal Speed Relay	Attached to power distribution box	102-1
Power Distribution Box.....	On LH front wheel well.....	102-1
C105 (1 pin).....	On RH wheel well, near shock tower.....	204-2
C106 (1 pin).....	On RH front wheel well	204-2
C113 (3 pin).....	Foward of radiator	
G102 (Main Body Ground).....	On fender well behind LH headlights	

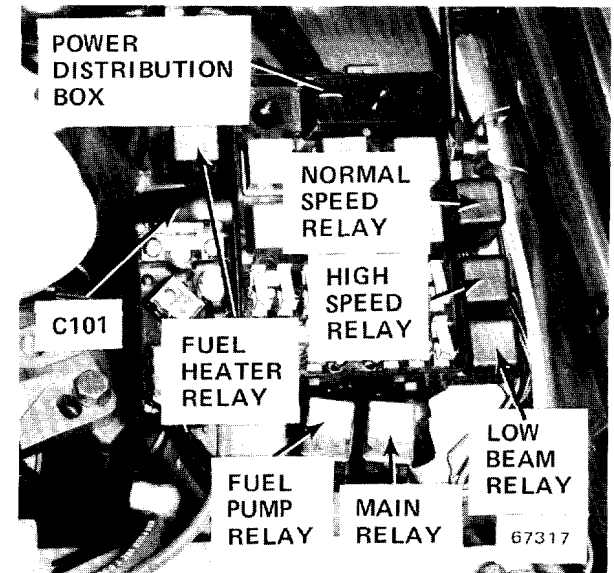


Figure 2 – LH Front Wheel Well

202 COMPONENT LOCATIONS

BACKUP LIGHTS

Auto. Trans. Range Switch	At base of shift lever	212-4
Backup Light Switch	On LH side of transmission	
Power Distribution Box	On LH front wheel well	102-1
C206 (29 pin)	On connector bracket under LH side of dash	206-1
C301 (2 pin)	In center console, ahead of shift lever	
G301 (Rear Interior Ground)	Under LH side of rear seat	208-1

BRAKE LINING WARNING

Power Distribution Box	On LH front wheel well	102-1
C206 (29 pin)	On connector bracket under LH side of dash	206-1
G200 (Front Interior Ground)	Behind LH headlights	203-1
G301 (Rear Interior Ground)	Under LH side of rear seat	208-1

CENTRAL LOCKING

Central Locking Control Unit	Above right front speaker	
Gas Filler Lock Motor	In trunk, right of power antenna	
Ignition Switch	Upper part of steering column	
LH Front Door Lock Motor	In LH front door	
LH Rear Door Lock Motor	In LH rear door	
Lock Inhibit Switch	In RH front door near door lock cylinder	
Power Distribution Box	On LH front wheel well	102-1
RH Front Door Lock Motor	In RH front door	
RH Rear Door Lock Motor	In RH rear door	
Trunk Lock Actuator	In rear panel of trunk	
Unlock Inhibit Switch	In LH door near door lock cylinder	
C200 (10 pin)	Lower LH side of dash	203-2
C206 (29 pin)	On connector bracket under LH side of dash	206-1
C302 (Accessory Connector)	Under LH side of dash	206-1
C400 (13 pin)	Behind LH front speaker	213-3
C401 (13 pin)	Behind RH front speaker	
C402 (7 pin)	In LH B pillar	
C403 (7 pin)	In RH B pillar	
C404 (5 pin)	Near connector bracket under LH side of dash	
C405 (2 pin)	In trunk near trunk lock	
C500 (6 pin)	Behind LH front speaker	
G200 (Front Interior Ground)	Behind LH headlights	203-1



Figure 1 – Near LH Front Wheel Well

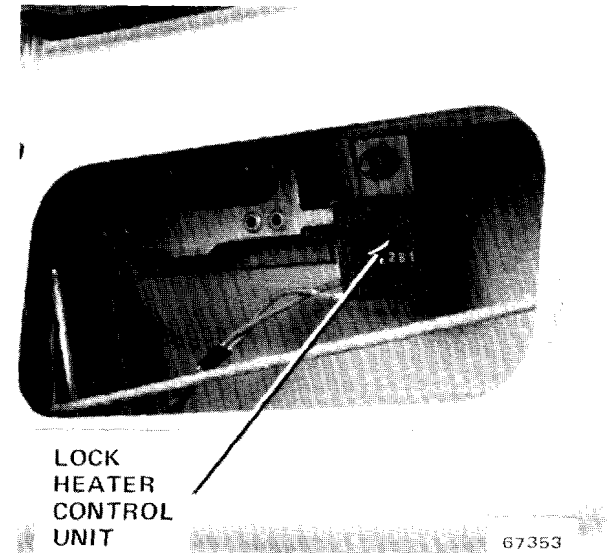


Figure 2 – Inside Driver's Door

CHARGING SYSTEM

Diagnostic Connector.....	Top rear of engine	104-1
Ignition Switch.....	Upper part of steering column	
Power Distribution Box.....	On LH front wheel well.....	102-1
Starter.....	Lower rear LH side of engine	
C101 (17 pin).....	In power distribution box	205-1
C200 (10 pin).....	On LH side of steering column	203-2
C206 (29 pin)	On connector bracket under LH side of dash	206-1
C302 (Accessory Connector)	Under LH side of dash.....	206-1
G102 (Main Body Ground).....	On fender well behind LH headlights	

CIGAR LIGHTER/GLOVE BOX LIGHT/ AUTO-CHARGING FLASH LIGHT

Auto-Charging Flashlight	In glove box	
Power Distribution Box.....	On LH front wheel well.....	102-1
C206 (29 pin)	On connector bracket under LH side of dash	206-1
C302 (Accessory Connector)	Under LH side of dash.....	206-1
G200 (Front Interior Ground)	Behind LH headlights	203-1

CRUISE CONTROL/STOP LIGHTS

Active Check Control Unit.....	Above rear view mirror.....	128-1
Auto. Trans. Range Switch.....	At base of shift lever.....	212-4
Brake Switch	Above brake pedal.....	207-3
Clutch Switch	Above clutch pedal	
Cruise Control Actuator.....	On LH front wheel well, near shock tower	207-1
Cruise Control Control Unit.....	Mounted on left under dash cover	203-2
Cruise Control Switch	On RH side of steering column	209-1
Power Distribution Box.....	On LH front wheel well.....	102-1
Rear Lights Check Relay.....	Mounted on trunk lock support.....	201-1
C206 (29 pin)	On connector bracket under LH side of dash	206-1
C208 (2 pin).....	Near clutch pedal.....	206-1
C209 (7 pin).....	Near cruise control control unit.....	203-2
C210 (4 pin).....	On LH side of steering column	203-2
C211 (1 pin).....	Under LH side of dash	
C301 (2 pin).....	In center console, ahead of shift lever	
C302 (Accessory Connector)	Under LH side of dash.....	206-1
G200 (Front Interior Ground)	Behind LH headlights	203-1
G301 (Rear Interior Ground)	Under LH side of rear seat	208-1



Figure 1 – Behind LH Headlights

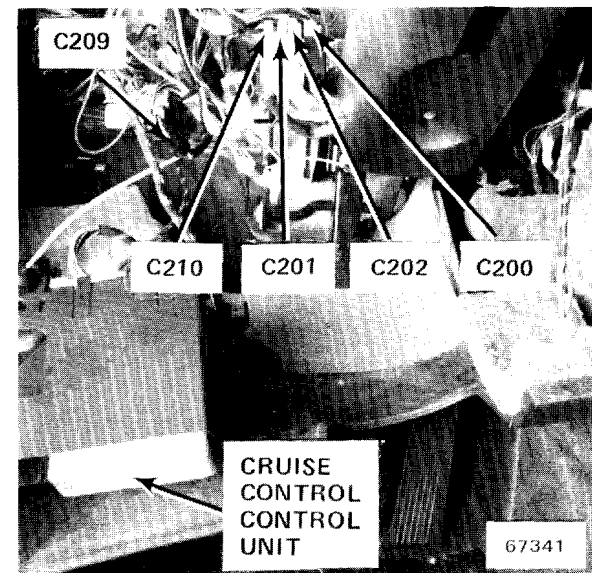


Figure 2 – Lower LH Side of Dash

FUEL CONTROL/EXHAUST GAS RECIRCULATION

Active Check Control Unit	Above rear view mirror	128-1
Coolant Temperature Switch	On upper LH side of radiator	
Diagnostic Connector	Top rear of engine	104-1
EGR Micro Switch	LH front of engine on fuel injection pump	213-2
EGR Valve	LH front of engine on fuel injection pump	213-1
Engine Speed Sensor	Top rear of engine	213-4
Fuel Injector	Top rear of engine	216-4
Fuel Shutoff Valve	LH front of engine on fuel injection pump	206-2
Ignition Switch	Upper part of steering column	
Main Relay	On power distribution box	201-2
Timing Control Unit	Above glove box	204-1
On-Board Computer Relay Box	Mounted on left under dash cover	
78°C Temperature Switch	LH rear of engine	
C101 (17 pin)	In power distribution box	205-1
C200 (10 pin)	On LH side of steering column	203-2
C212 (1 pin)	Under LH side of dash taped to harness	
G102 (Main Body Ground)	On fender well behind LH headlights	
G103 (Engine Ground)	LH rear of engine	

FUEL DELIVERY

Auxiliary Fuel Pump	In fuel tank, under trunk	210-1
Diagnostic Connector	Top rear of engine	213-4
Fuel Heater	LH front of engine on fuel filter	
Fuel Heater Relay	On power distribution box	201-2
Fuel Pump Relay	On power distribution box	201-2
Ignition Switch	Upper part of steering column	
Main Fuel Pump	Forward and right of differential housing	
Power Distribution Box	On LH front wheel well	102-1
Start Relay	Under LH side of dash	206-1
TDC Sensor	Above crank shaft vibration damper	
5.5°C Temperature Switch	LH front of engine on fuel filter	202-1
C101 (17 pin)	In power distribution box	201-2
C200 (10 pin)	On LH side of steering column	203-2
C206 (29 pin)	On connector bracket under LH side of dash	206-1
C213	Under LH side of dash, near steering column	
G103 (Engine Ground)	LH rear of engine	207-3
G301 (Rear Interior Ground)	Under LH side of rear seat	208-1



Figure 1 – Below RH Side of Dash

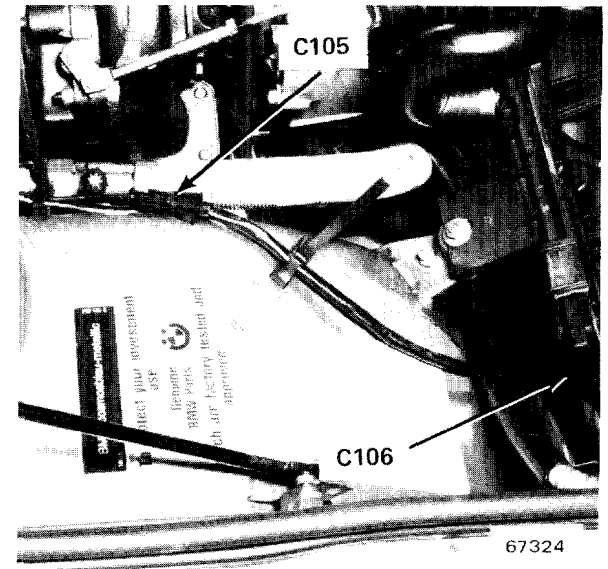


Figure 2 – RH Front Wheel Well

GLOW PLUG CONTROL

Coolant Temperature Sender	Front of engine on thermostat housing	
Fuel Pump Relay	On power distribution box	201-2
Glow Plug Control Module	On LH front wheel well near power distribution box	202-1
Power Distribution Box	On LH front wheel well	102-1
C101 (17 pin)	In power distribution box	201-2
G103 (Engine Ground)	LH rear of engine	

HEADLIGHTS (CONTROL/POWER)/FOG LIGHTS (CONTROL/POWER)

Active Check Control Unit	Above rear view mirror	128-1
Combination Switch	On LH side of steering column	
Low Beam Check Relay	Attached to power distribution box	102-1
Power Distribution Box	On LH front wheel well	102-1
C102 (7 pin)	In power distribution box	205-1
C107 (2 pin)	Behind LH headlights	203-1
C108 (2 pin)	Behind RH headlights	211-1
C202 (13 pin)	On LH side of steering column	203-2
G102 (Main Body Ground)	On fender well behind LH headlights	
G200 (Front Interior Ground)	Under LH side of dash, near brake bracket	203-1

HEATER/AIR CONDITIONING

Blower Speed Switch	In center console	
Evaporator Blower Motor	Under center of dash	205-2
Evaporator Blower Resistors	On RH side of upper console	205-2
Evaporator Temp. Regulator	On LH side of heater/evaporator housing	212-1
Evaporator Temp. Sensor	In evaporator, above evaporator blower motor	212-1
Heater Blower Motor	Below windshield, behind cover panel	
Heater Blower Resistors	Below heater cover motor	
Heater Regulator	Behind A/C selector switch	
Heater Temperature Sensor	LH side heater/evaporator, near heater core	212-1
High Pressure Cut-Out Switch	On receiver-drier behind RH headlights	207-4
Interior Temp. Sensor	Mounted in left under dash cover	212-3
Power Distribution Box	On LH front wheel well	102-1
Water Shutoff Valve	Below brake master cylinder	211-2
C105 (1 pin)	At RH wheel well, below coolant reservoir	204-2
C106 (1 pin)	Near air conditioning compressor	204-2
C204 (13 pin)	On LH side of heater/evaporator housing	
C205 (6 pin)	On RH side of heater/evaporator housing	205-2
C214 (6 pin)	Behind center of dash, near heater blower	
G200 (Front Interior Ground)	Under LH side of dash, near brake bracket	

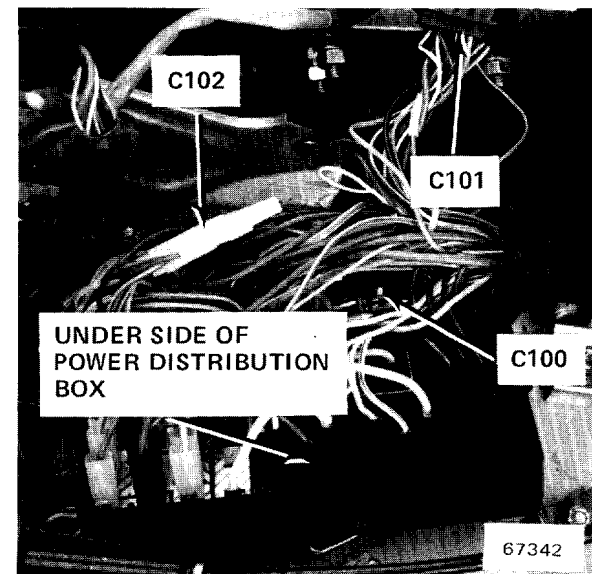


Figure 1 — Top of LH Front Wheel Well

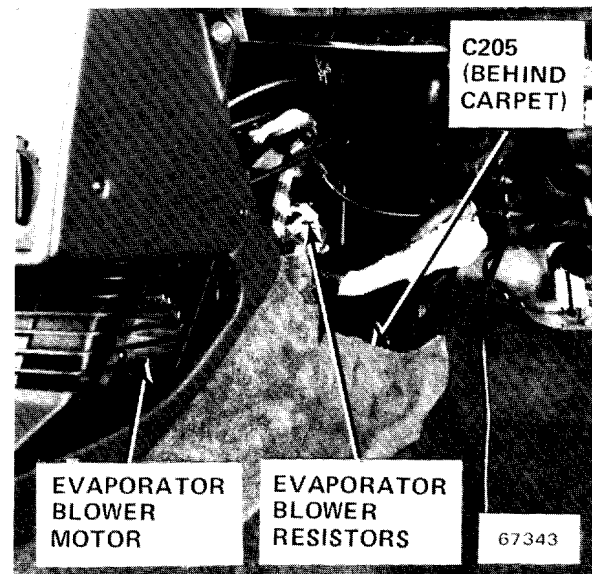


Figure 2 — RH Side of Upper Console

HORN/SUNROOF

Horn Brush/Slip Ring.....	Below hub of steering wheel.....	207-2
Horn Switches.....	In each spoke on steering wheel	
Motor Relay.....	Behind header, above rear view mirror	
Power Distribution Box.....	On LH front wheel well.....	102-1
Sunroof Motor.....	Behind header, above rear view mirror	
Sunroof Switch.....	Above rear view mirror	
C200 (10 pin).....	On LH side of dash.....	203-2
C206 (29 pin).....	On connector bracket under LH side of dash.....	206-1
C302 (Accessory Connector)....	Under LH side of dash.....	206-1
G102 (Main Body Ground).....	On fender well behind LH headlights.....	203-1
G200 (Front Interior Ground)....	Behind LH headlights.....	203-1
G600.....	Near sunroof switch	

IGNITION KEY WARNING/SEATBELT WARNING

Active Check Control Unit.....	Above rear view mirror.....	128-1
Chime Module.....	Mounted on left under dash cover.....	207-2
Ignition Key Switch.....	In upper portion steering column	
Power Distribution Box.....	On LH front wheel well.....	102-1
Seatbelt Switch.....	In driver's seatbelt buckle	
Seatbelt Warning Timer.....	Under LH side of dash.....	212-1
C200 (10 pin).....	On LH side of steering column.....	203-2
C203 (2 pin).....	At upper end of steering column.....	208-2
C206 (29 pin).....	On connector bracket under LH side of dash.....	206-1
G200 (Front Interior Ground)....	Under LH side of dash, near brake bracket.....	203-1

INTERIOR LIGHTS

Ignition Switch.....	Upper part of steering column	
Interior Light Timer Control.....	Under LH side of dash.....	212-1
Lock Heater Control Unit.....	In LH front door.....	202-2
Power Distribution Box.....	On LH front wheel well.....	102-1
C200 (10 pin).....	On LH side of steering column.....	203-2
C206 (29 pin).....	On connector bracket under LH side of dash.....	206-1
C302 (Accessory Connector)....	Under LH side of dash.....	206-1
C303 (2 pin).....	In headliner, near LH dome light	
C500 (6 pin).....	Behind LH front speaker	
C503 (8 pin).....	In driver's door.....	202-2
G200 (Front Interior Ground)....	Under LH side of dash, near brake bracket.....	203-1

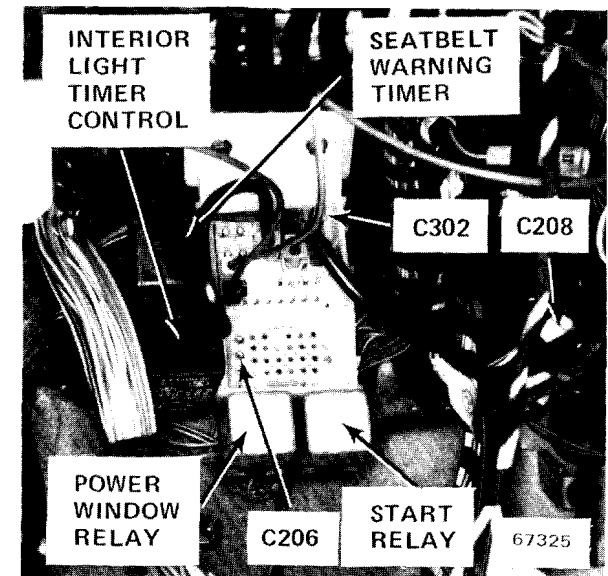


Figure 1 – Under Left Side of Dash

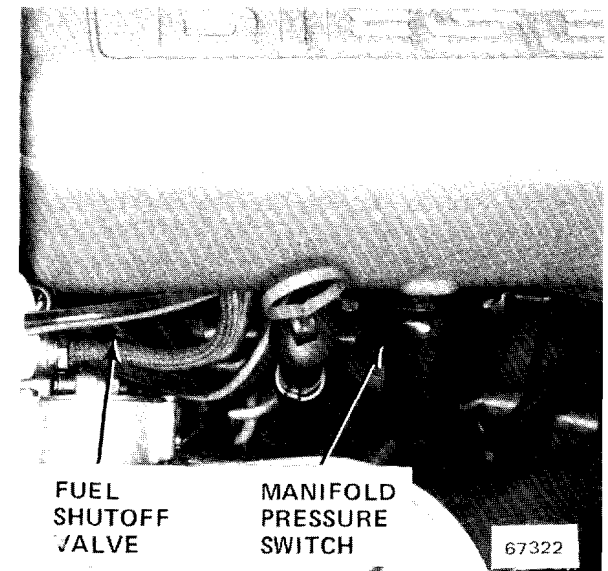


Figure 2 – LH Front of Engine

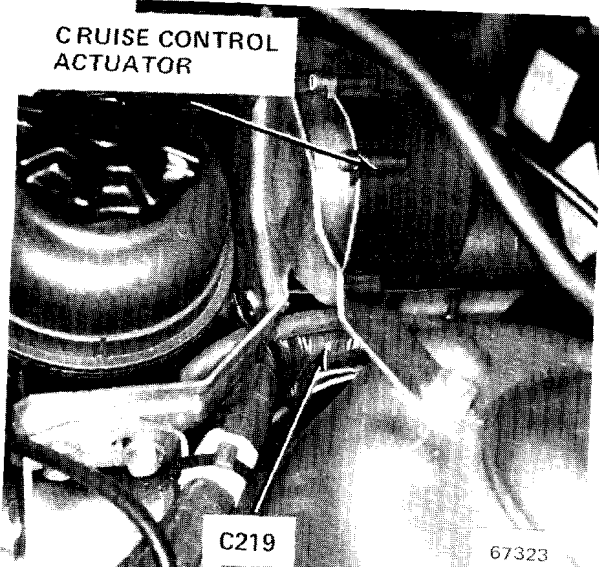


Figure 1 - Near LH Shock Tower

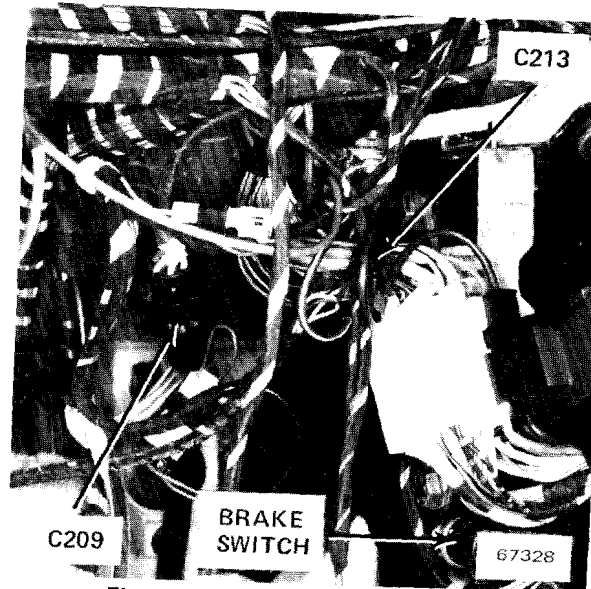


Figure 3 - Lower LH Side Of Dash

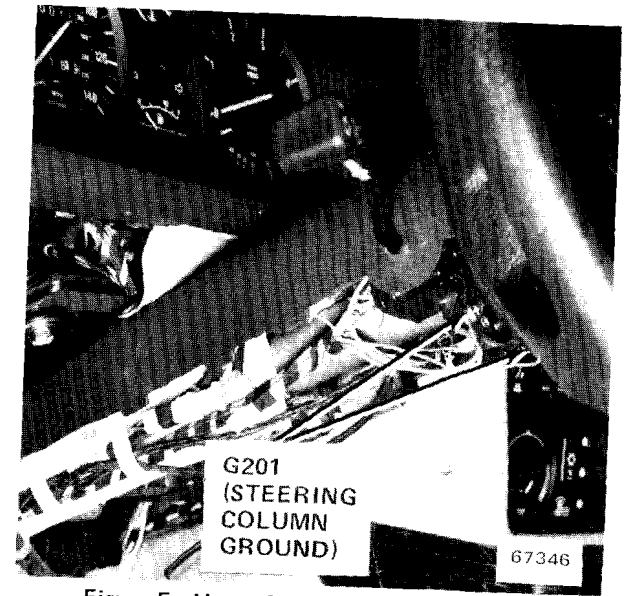


Figure 5 - Upper Part Of Steering Column

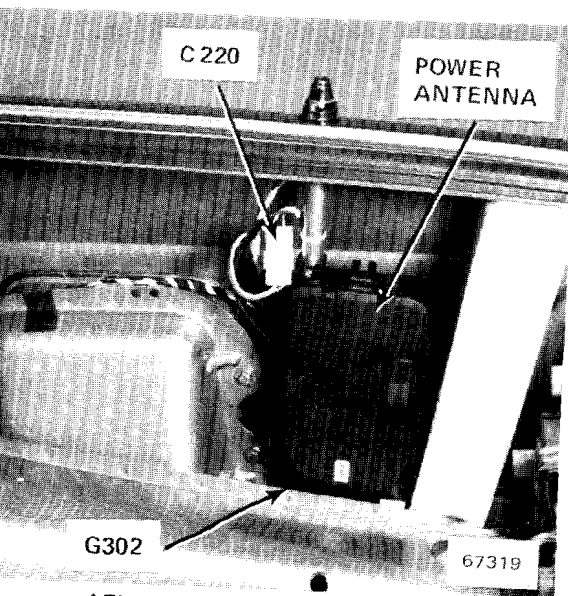


Figure 2 - RH Rear Of Trunk



Figure 4 - Behind LH Headlights

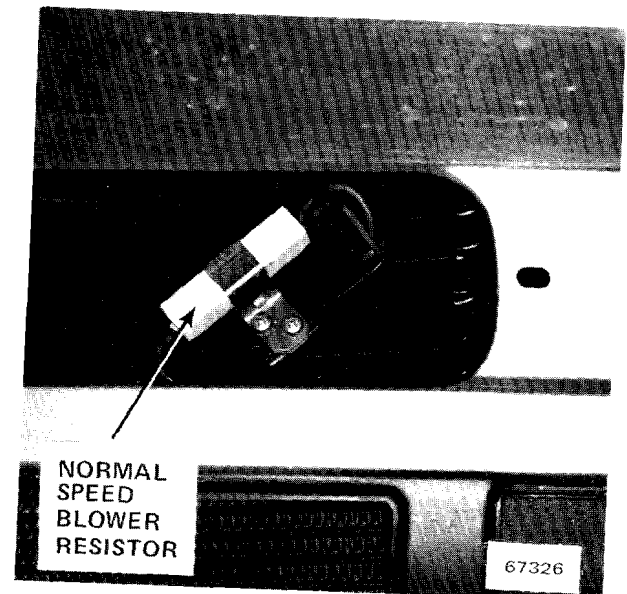


Figure 6 - Ahead Of Radiator

LIGHTS: DASH/TRANSMISSION RANGE

Auto. Trans. Range Switch	At base of shift lever.....	212-4
Fog Light Switch	Under LH side of instrument cluster	
Hazard Switch	To right of instrument cluster	
Heater-A/C Panel Lights.....	Behind heater-air conditioning control panel	
Power Distribution Box.....	On LH front wheel well.....	102-1
C104 (2 pin).....	RH side of dash near Motronic control unit	
C204 (13 pin).....	On LH side of heater/evaporator housing	
C206 (29 pin)	On connector bracket under LH side of dash	206-1
C215 (2 pin).....	Behind radio	
C301 (2 pin).....	In center console, ahead of shift lever	
C302 (Accessory Connector)	Under LH side of dash.....	206-1
G200 (Front Interior Ground)	Under LH side of dash, near brake bracket	

LIGHTS: FRONT PARK/FRONT MARKER/TAIL

Active Check Control Unit.....	Above rear view mirror.....	128-1
Power Distribution Box.....	On LH front wheel well.....	102-1
Rear Lights Check Relay.....	Mounted on trunk lock support.....	201-1
C206 (29 pin)	On connector bracket under LH side of dash	206-1
G102 (Main Body Ground).....	On fender well behind LH headlights	
G301 (Rear Interior Ground)	Under LH side of rear seat	208-1

LIGHTS: REAR MARKER/LICENSE/TRUNK

Active Check Control Unit.....	Above rear view mirror.....	128-1
Power Distribution Box.....	On LH front wheel well.....	102-1
Rear Lights Check Relay.....	Mounted on trunk lock support.....	201-1
Trunk Light Switch	In trunk lid near trunk lock	
C206 (29 pin)	On connector bracket under LH side of dash	206-1
C300 (2 pin).....	Near trunk light	
C302 (Accessory Connector)	Under LH side of dash.....	206-1
G301 (Rear Interior Ground)	Under LH side of rear seat	208-1

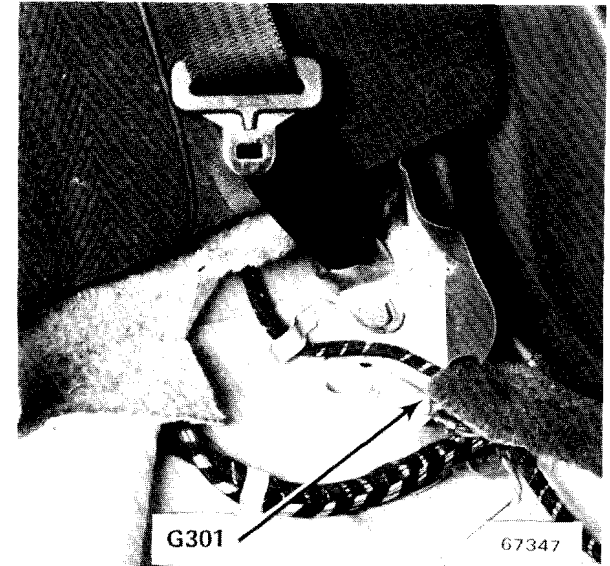


Figure 1 – Under LH Rear Seat

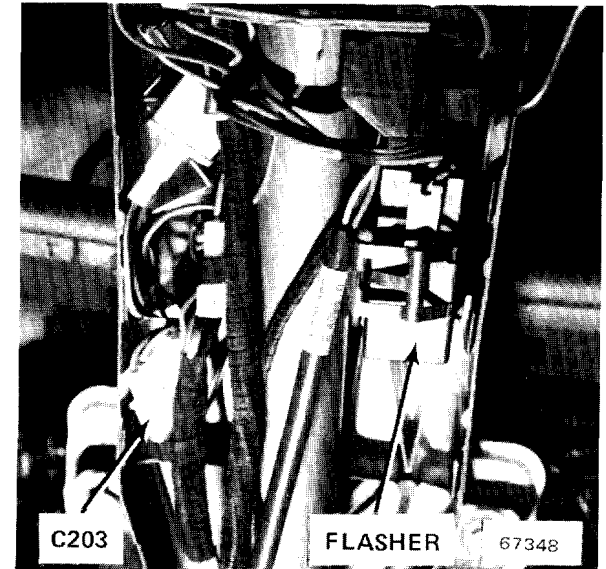


Figure 2 – Upper Part of Steering Column

LIGHTS TURN/HAZARD WARNING

Combination Switch	On LH side of steering column	
Flasher	Upper part of steering column	208-2
Hazard Switch	Top right of instrument cluster	
Power Distribution Box	On LH front wheel well	102-1
C102 (7 pin)	In power distribution box	205-1
C202 (13 pin)	On LH side of steering column	203-2
C206 (29 pin)	On connector bracket under LH side of dash	206-1
G102 (Main Body Ground)	On fender well behind LH headlights	
G200 (Front Interior Ground)	Under LH side of dash, near brake bracket	
G201 (Steering Column Ground)	Upper part of steering column	207-2
G301 (Rear Interior Ground)	Under LH side of rear seat	208-1

POWER DISTRIBUTION

Combination Switch	On LH side of steering column	
Diagnostic Connector	LH side of engine	104-1
Ignition Switch	Upper part of steering column	
Power Distribution Box	On LH front wheel well	102-1
Starter	Lower rear LH side of engine	
C200 (10 pin)	On LH side of steering column	203-2
C202 (13 pin)	On LH side of steering column	203-2
G102 (Main Body Ground)	On fender well behind LH headlights	

POWER MIRRORS

Mirror Control Switch	On driver's door	
Power Distribution Box	On LH front wheel well	102-1
C206 (29 pin)	On connector bracket under LH side of dash	206-1
C500 (6 pin)	Behind LH front speaker	
C501 (4 pin)	Behind LH front speaker	
C502 (4 pin)	Behind RH front speaker	
G200 (Front Interior Ground)	Under LH side of dash, near bracket	

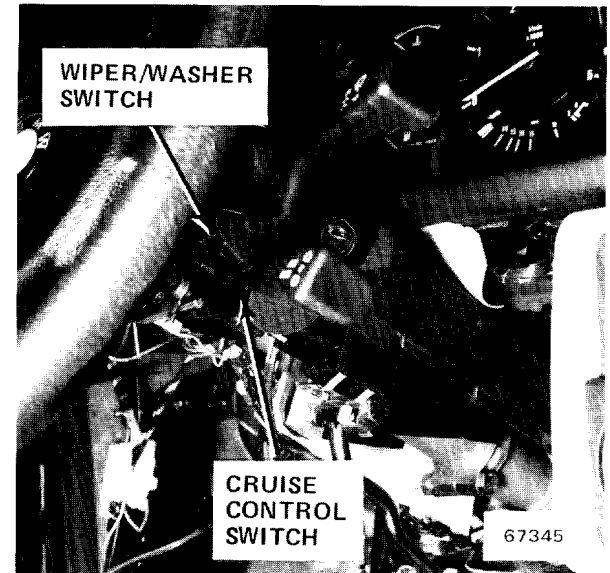


Figure 1 – Upper Part of Steering Column

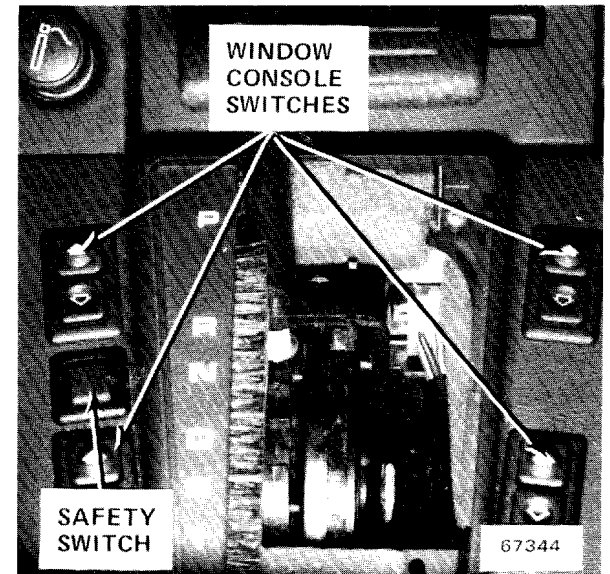


Figure 2 – Shift Console Near Shift Lever

POWER SEATS

Driver's Seat Controller	Under driver's seat on frame	
Passenger Seat Controller	Under passenger's seat on frame	
C206 (29 pin)	On connector barcket under LH side of dash	206-1
C302 (Accessory Connector)	Under LH side of dash	206-1
C550 (2 pin)	Under center console	
C551 (2 pin)	Under center console	
G200 (Front Interior Ground)	Under LH side of dash, near brake bracket	

POWER WINDOWS

Power Distribution Box	On LH front wheel well	102-1
Power Window Circuit Brkr	Mounted in left under dash cover	212-5
Power Window Relay I	Under LH side of dash	102-1
Safety Switch	On shift console	209-2
Window Console Switches	On shift console	209-2
Window Motors	In each door	
C206 (29 pin)	On connector bracket under LH side of dash	206-1
C302 (Accessory Connector)	Under LH side of dash	206-1
C400 (13 pin)	Behind RH front speaker	
C401 (13 pin)	Behind RH front speaker	
C402 (6 pin)	At LH rear door grommet	
C403 (6 pin)	At RH rear door grommet	
C500 (6 pin)	Behind left front speaker	
G200 (Front Interior Ground)	Under LH side of dash, near brake bracket	



Figure 1 – Bottom RH Side of Trunk

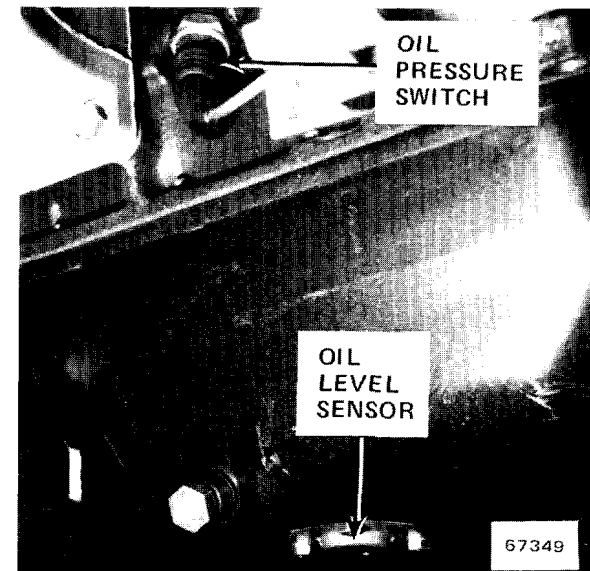


Figure 2 – RH Side of Oil Pan

RADIO/POWER ANTENNA

Fader Control	In upper part of center console	212-1
Power Distribution Box.....	On LH front wheel well.....	102-1
C206 (29 pin)	On connector bracket under LH side of dash	206-1
C215 (2 pin).....	Behind radio	
C216 (2 pin).....	Behind radio	
C217 (2 pin).....	Behind radio	
C218 (2 pin).....	Behind radio	
C219 (2 pin).....	RH side of trunk near power antenna	
C302 (Accessory Connector)	Under LH side of dash.....	206-1
G200 (Front Interior Ground)	Under LH side of dash, near brake bracket	
G302 (Power Antenna Ground) ..	RH side of trunk under power antenna	

REAR DEFOGGER/HEATER DOOR LOCK

Lock Heater Control Unit	In LH front door	202-2
Lock Heater	In LH front door	
Power Distribution Box.....	On LH front wheel well.....	102-1
C206 (29 pin)	On connector bracket under LH side of dash	206-1
C302 (Accessory Connector)	Under LH side of dash.....	206-1
C500 (6 pin).....	Behind LH front speaker	
C503 (8 pin).....	In driver's door.....	202-2
C560 (2 pin).....	In LH front door	
G200 (Front Interior Ground)	Under LH side of dash, near brake bracket	
G301 (Rear Interior Ground)	Under LH side of rear seat	208-1

SERVICE INTERVAL INDICATOR

Coolant Temp. Sender	Front of engine on thermostat housing	213-2
Diagnostic Connector.....	Top rear of engine	104-1
Timing Control Unit.....	Above glove box	204-1
Power Distribution Box.....	On LH front wheel well.....	102-1
C101 (17 pin).....	In power distribution.....	215-2
C103 (6 pin).....	RH side of dash near Motronic control unit.....	205-1
G200 (Front Interior Ground)	Under LH side of dash, near brake bracket	

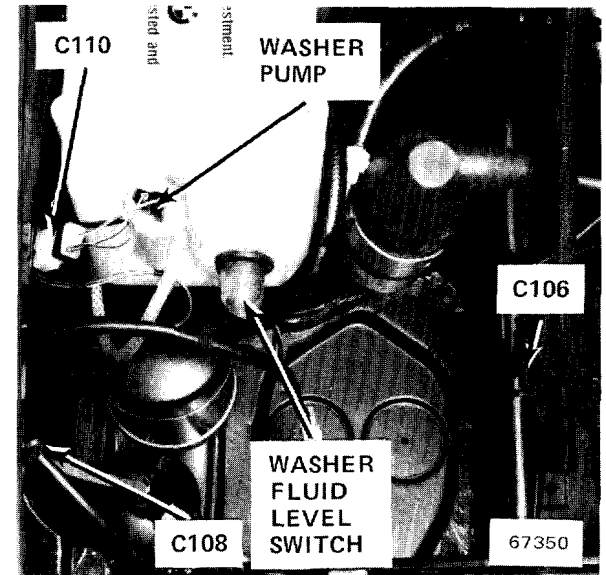


Figure 1 – Forward of Water Reservoir

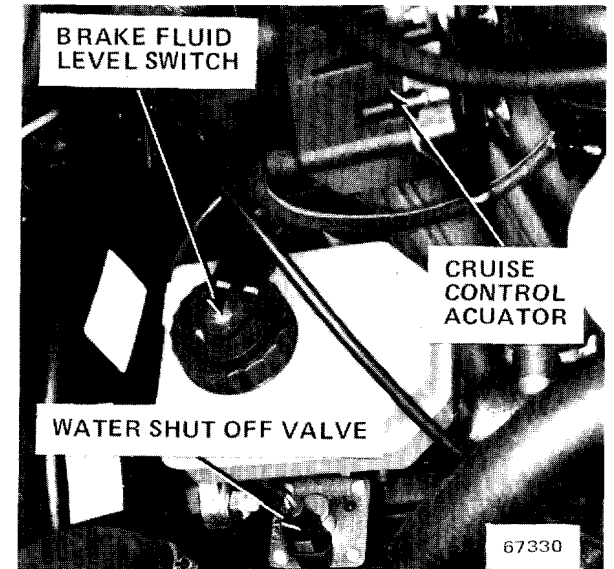


Figure 2 – LH Rear of Engine Compartment

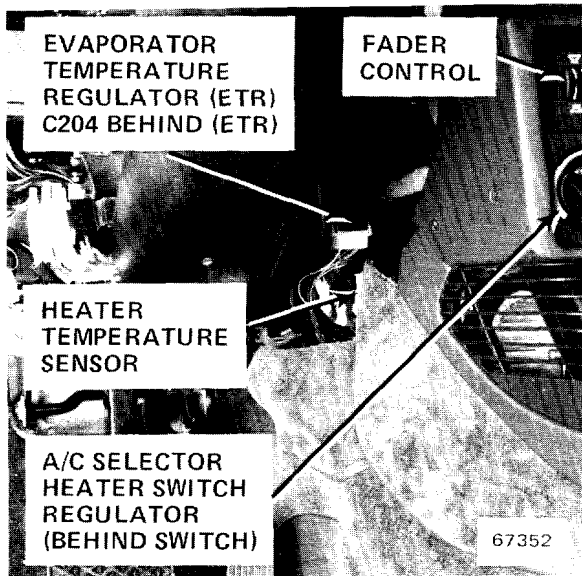


Figure 1 - LH Side Of Upper Console

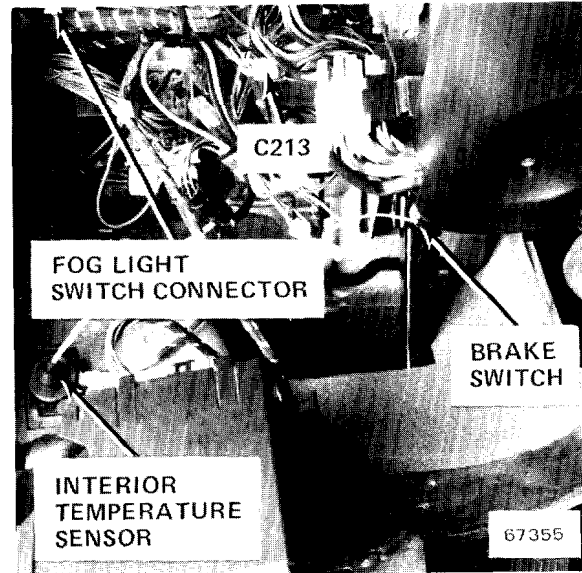


Figure 3 - Lower LH Side Of Dash



Figure 5 - Left Of Upper Console

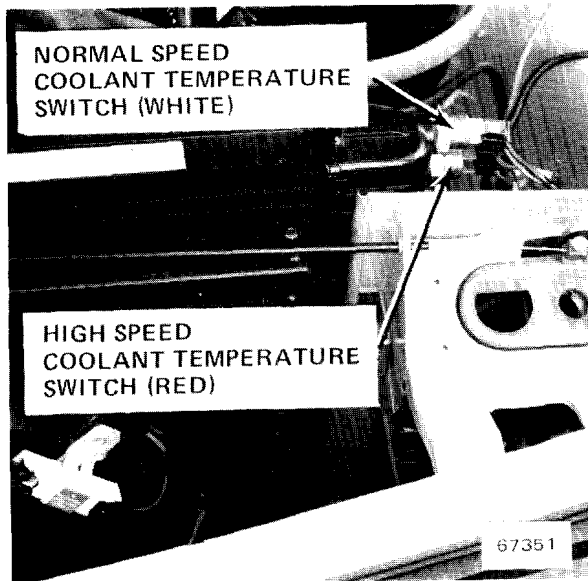


Figure 2 - LH Side Of Radiator

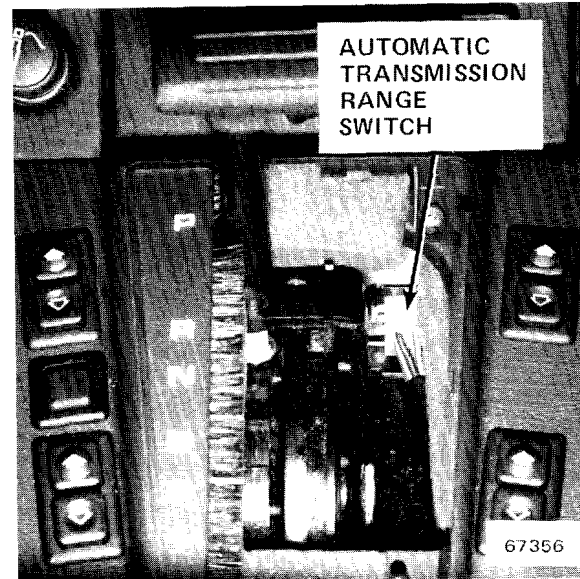


Figure 4 - Console, At Gearshift Selector



Figure 6 - LH Side Of Engine

SPEEDOMETER/GAUGES/WARNING INDICATORS

Brake Fluid Level Switch	LH rear of engine, on brake fluid reservoir	214-1
Coolant Temp. Sender	Front of engine, on thermostat housing	206-2
Diagnostic Connector	LH side of engine	104-1
Fuel Tank Sender	Under trunk, top RH side of fuel tank	213-5
Ignition Switch	Upper part of steering column	
Manifold Pressure Switch	LH side of engine under air intake manifold	
Motronic Control Unit	Above glove box	204-1
Oil Pressure Switch	RH side of engine, below oil filter	210-2
Parking Brake Switch	In shift console at base of parking brake	
Power Distribution Box	On LH front wheel well	102-1
Speedometer Sender	In rear of differential	
C101 (17 pin)	In power distribution box	205-1
C200 (10 pin)	On LH side of steering column	203-2
G103 (Engine Ground)	LH rear of engine	
G200 (Front Interior Ground)	Under LH side of dash, near brake bracket	
G301 (Rear Interior Ground)	Under LH side of rear seat	208-1

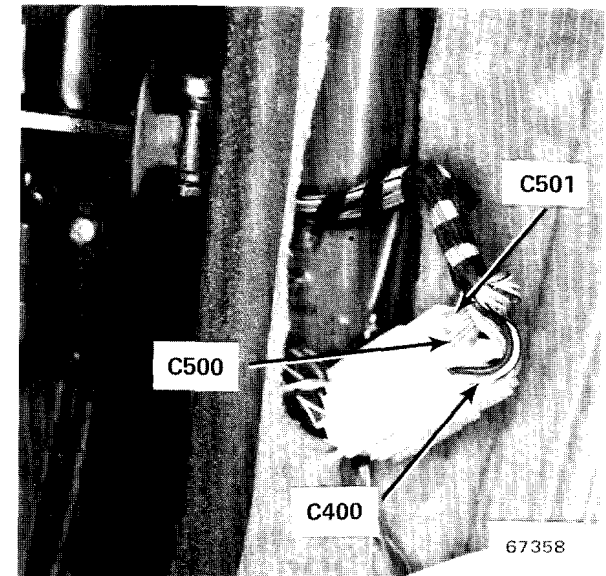


Figure 3 - Behind LH Front Speaker

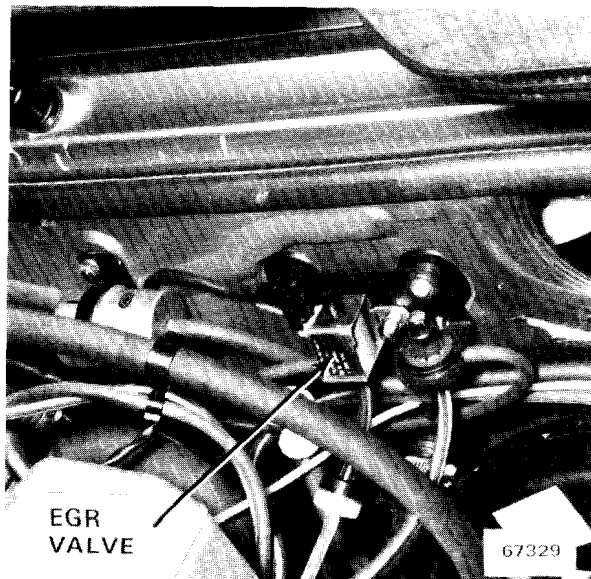


Figure 1 - Above Brake Vacuum Booster

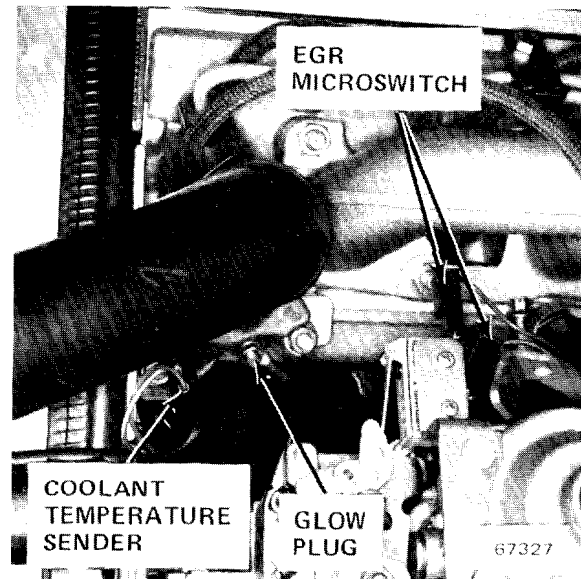


Figure 2 - LH Front Of Engine

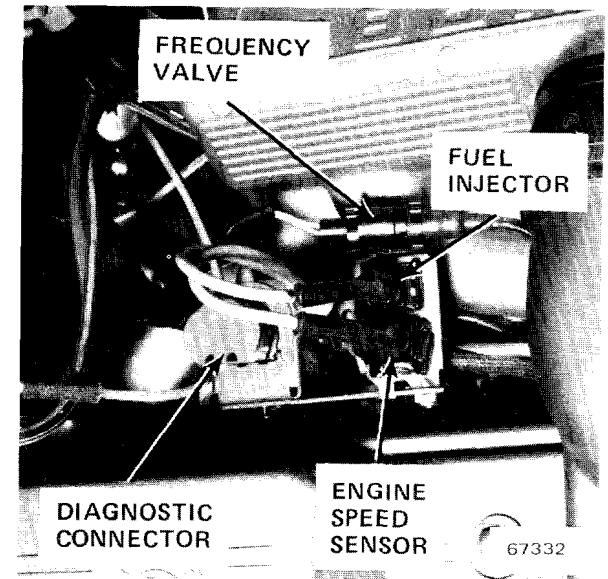


Figure 4 - Top Rear Of Engine

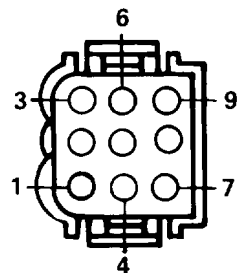
214 COMPONENT LOCATIONS

START

Auto. Trans. Range Switch	At base of shift lever.	212-4
Diagnostic Connector.	Top rear of engine	104-1
Fuel Heater Relay.	On power distribution box	201-2
Ignition Switch.	Upper part of steering column	
Power Distribution Box.	On LH front wheel well.	102-1
Start Relay	On connector bracket under LH side of dash	206-1
Starter	Lower rear LH side of engine	
C101 (17 pin).	In power distribution box	205-1
C200 (10 pin).	On LH side of steering column	203-2
G102 (Main Body Ground).	On fender well behind LH headlights	
G200 (Front Interior Ground)	Under LH side of dash, near brake bracket	

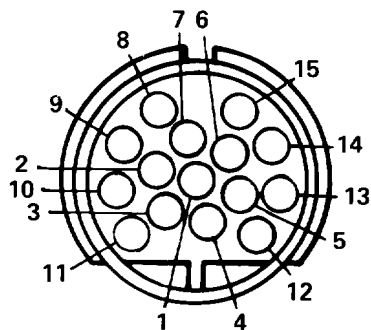
WIPER/WASHER

Power Distribution Box.	On LH front wheel well.	102-1
Washer Jet Heaters	On washer jet nozzles	
Washer Pump.	Forward of RH front wheel well, in reservoir	211-1
Wiper Motor.	Above brake master cylinder	
Wiper/Washer Switch.	On RH side of steering column	209-1
C102 (7 pin).	In power distribution box	205-1
C110 (2 pin).	Near washer pump	
C201 (6 pin).	On LH side of steering column	
G200 (Front Interior Ground)	Under LH side of dash, near brake bracket	
G201 (Steering Column Ground)	Upper part of steering column.	207-2



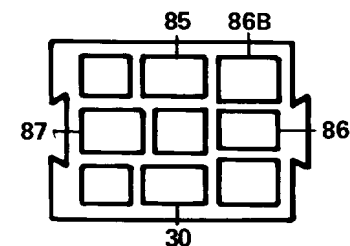
Wiring Face

AUTOMATIC TRANSMISSION RANGE SWITCH



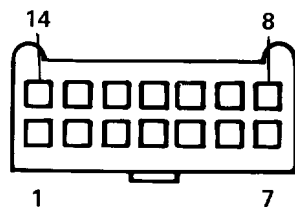
Mating Face

DIAGNOSTIC CONNECTOR



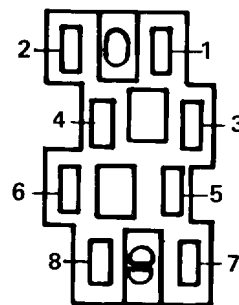
Wiring Face

FUEL HEATER RELAY



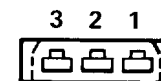
Wiring Face

CENTRAL LOCKING CONTROL UNIT



Mating Face

FADER CONTROL



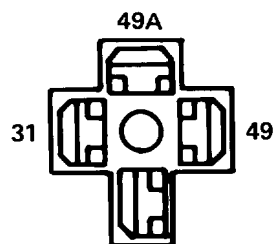
Wiring Face

FUEL TANK SENDER

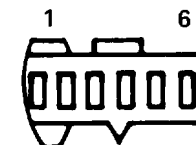


Wiring Face

DRIVER'S SEAT SWITCH (C2)

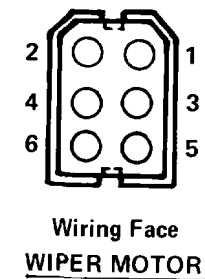
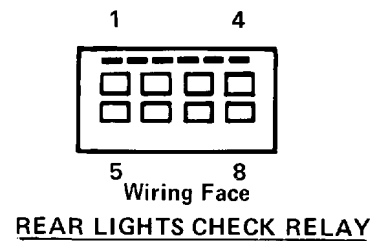
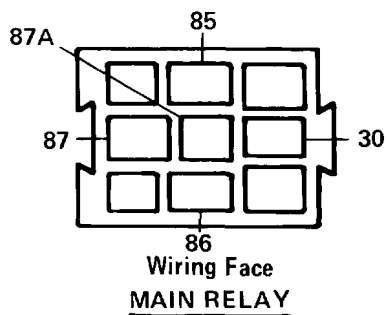
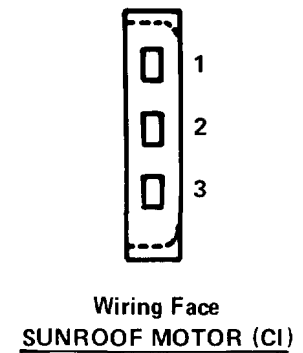
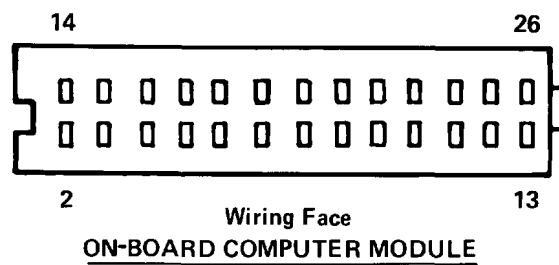
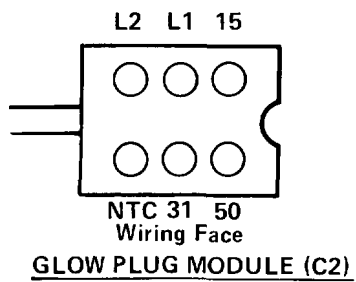
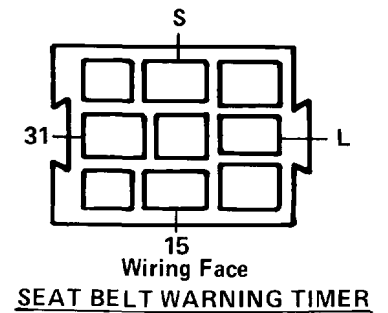
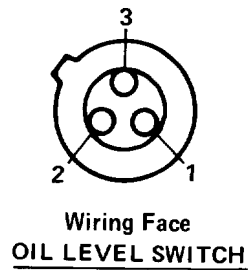
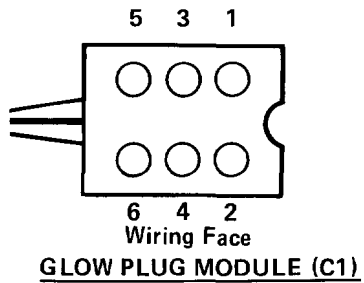


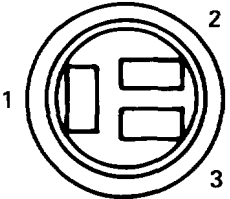
Wiring Face
FLASHER



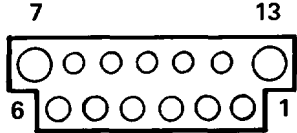
Wiring Face

GAS FILLER LOCK MOTOR





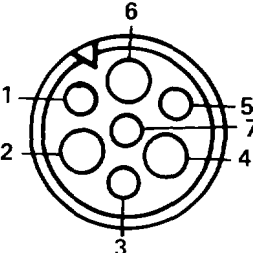
Wiring Face
C113



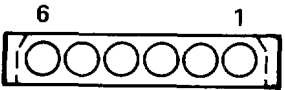
Wiring Face
C202



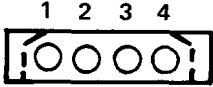
Wiring Face
C114



Wiring Face
C209



Wiring Face
C201



Wiring Face
C210