



1985

BMW 735i

Electrical

Troubleshooting

Manual

BMW of North America, Inc.
Montvale, New Jersey

FOREWORD

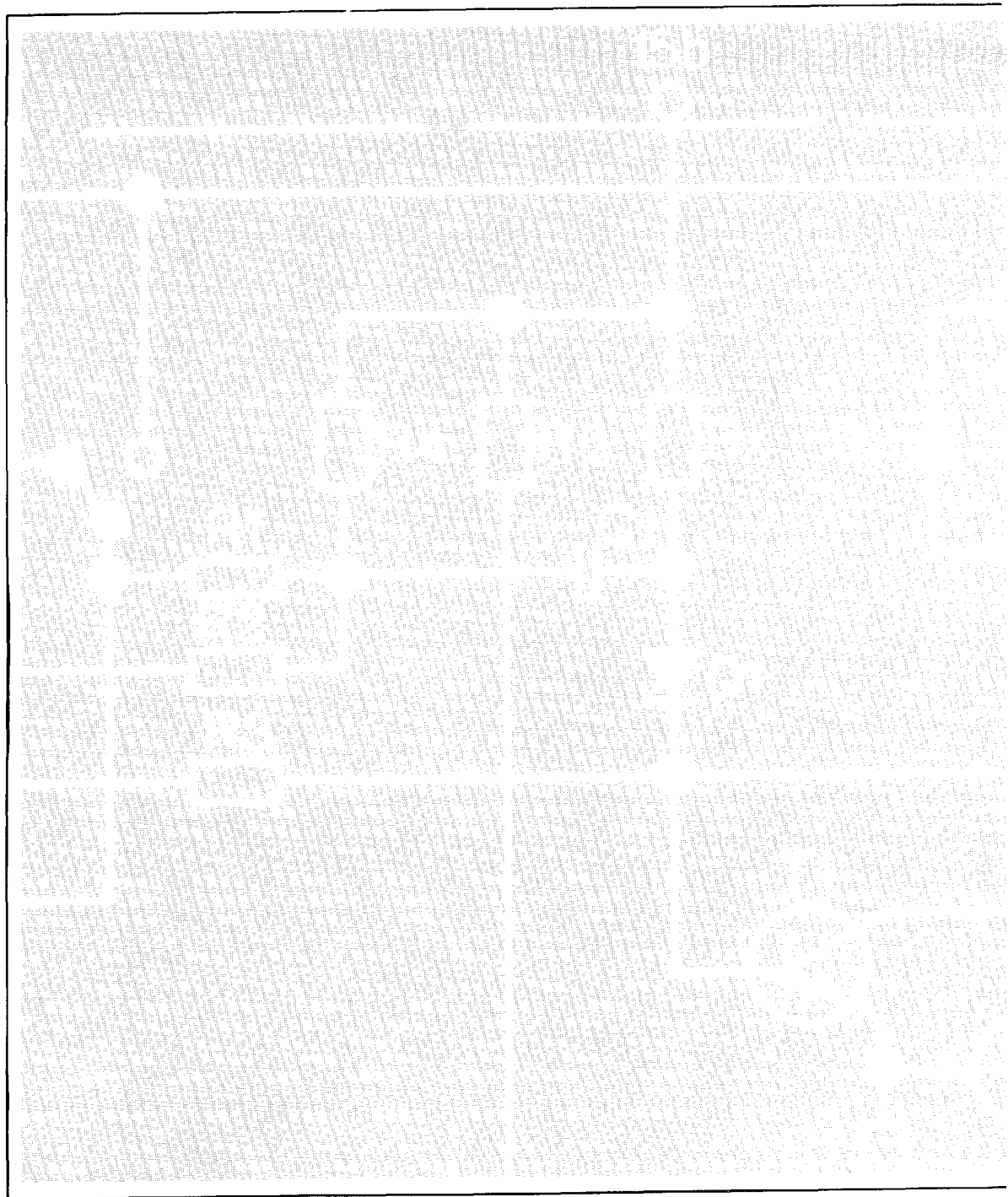
In the interests of continuing technical development work we reserve the right to modify designs and equipment.

Printed in USA

©Copyright BMW of North America, Inc.

Not to be reproduced wholly or in part
without written permission of BMW of
North America, Inc.

PN 01 00 1 467 804



**1985
BMW 735i
Electrical
Troubleshooting
Manual**

CONTENTS

Index	2
How To Use This Manual	3
Symbols	4
Wire Size Conversion Chart	5
Systematic Troubleshooting	6
Diagnostic Connector	101
Power Distribution Box	102
Fuse Data	103
Schematic Diagrams	104
Component Charts and Figures	201

Index — Alphabetical Listing of Electrical Circuits

	PAGE		PAGE		PAGE
Active Check Control	131	Heating		— Fog	136
Anti Lock Braking System	158	— Blower Control	166	— Front Park	140
Air Conditioning		— Compressor Control	164	— Glove Box	148
— Blower Control	166	— Solenoid Valves	170	— Hazard Warning	138
— Compressor Control	164	— Temperature Control	174	— Headlights	136
— Solenoid Valves	170	Horn	149	— Interior	135
— Temperature Control	174	Idle Speed Control	120	— License	141
Auto Charging Flash Light	148	Ignition	123	— Rear Marker	141
Auxiliary Fan	163	Ignition Key Warning	129	— Stop Light	142
Brake Lining Warning	134	Indicators		— Tail	140
Central Locking	152	— Active Check Control Alarm	127	— Transmission Range	144
Charging System	117	— “Brake Lights” Fault	132	— Turn	138
Cigar Lighter	148	— “Brake Lining” Wear	134	— Trunk	141
Connectors		— “Brake Warning”	128	— Underhood	140
— Accessory	103	— “Charge” Indicator	126	— Visor	144
— Diagnostic	101	— “Coolant” Level Fault	133	Light Switch Details	114
Cruise Control	142	— “Engine Oil” Fault	133	On-Board Computer	124
Engine Block Diagram	115	— Fasten Seatbelts	133	Power Antenna	155
Fuel Control	120	— Fog Lights	128	Power Distribution	104
Fuse Data	102A	— High Beam	128	Power Distribution Box	102
Fuel Delivery	120	— Inspection	130	Power Mirrors	154
Fuel Gauge	127	— LH Turn	128	Power Seats	156
Fuse Details		— “License Plate” Fault	132	Power Windows	150
— Fuse 6	111	— “Low Beam” Fault	131	Radio	155
— Fuse 9	110	— Low Fuel Warning	127	Rear Defogger	161
— Fuse 12	111	— Oil Pressure Warning	127	Service Interval Indicator	130
— Fuse 16	110	— Oil Service	130	Speedometer	126
— Fuse 17	109	— “Park Brake”	127	Start	
— Fuse 21	113	— “Rear Lights” Fault	132	— Automatic	118
— Fuse 22	114	— RH Turn	128	— Manual	119
— Fuse 23	114	— Temperature	127	Splice Location Index	181
— Fuse 26	112	— “Washer Fluid” Fault	133	Sunroof	161
— Fuse 27	112	Lights		Vacuum Pump	163
— Fuse 28	112	— Backup	147	Warning Indicators	126
Gauges	126	— Center Console	146	Windsheild Washer Jet Heaters	162
Ground Distribution	176	— Dash	144	Wiper/Washer	160
Heated Door Locks	149				

The purpose of this manual is to show electrical schematics in a manner that makes electrical troubleshooting easier. Electrical components which work together are shown together on one schematic. The Wiper-Washer schematic, for example, shows all of the electrical components in one diagram. At the top of the page is the fuse (positive) that powers the circuit. The flow of current is shown through all wires, connectors, switches, and motors to ground (negative) at the bottom of the page.

Within the schematic, all switches and sensors are shown "at rest," as though the Ignition Switch were off. For identification, component names are underlined and placed next to or above each component. Notes are included, describing how switches and other components work.

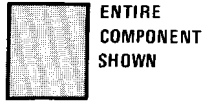
The power distribution schematic shows the current feed through all the connections from the Battery and Alternator to each fuse and the Ignition and Light Switches. If the Power Distribution schematic is combined with any other circuit schematic, a complete picture is made of how that circuit works. The Ground Distribution schematics show how several circuits are connected to common grounds.

All wiring between components is shown exactly as it exists in the vehicle; however, the wiring is not drawn to scale. To aid in understanding electrical operation, wiring inside complicated components has been simplified. The "Solid State" label designates electronic components.

WIRE SIZE CONVERSION CHART	
METRIC (CROSSSECTIONAL AREA IN MM ²)	AWG (AMERICAN WIRE GAUGE)
.5	20
.75	18
1	16
1.5	14
2	14
2.5	12
4	10
6	8
8	8
16	4
20	4
25	2
32	2

WIRE INSULATION	
ABBREVIATIONS	COLOR
BK	BLACK
BR	BROWN
RD	RED
YL	YELLOW
GN	GREEN
BU	BLUE
VI	VIOLET
GY	GRAY
WT	WHITE
PK	PINK

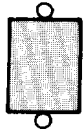
4 SYMBOLS



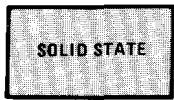
ENTIRE COMPONENT SHOWN



PART OF A COMPONENT SHOWN



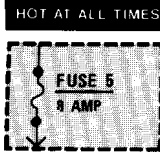
COMPONENT WITH SCREW TERMINALS



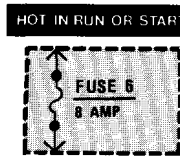
SOLID STATE (INCLUDES ONLY ELECTRONIC PARTS)



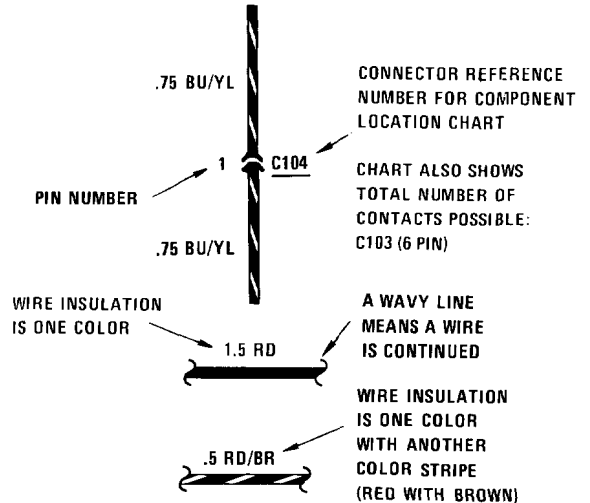
COMPONENT CASE IS DIRECTLY ATTACHED TO METAL PART OF CAR (GROUNDED)



INDICATES THAT FUSE 5 IS ALWAYS SUPPLIED WITH POWER



INDICATES THAT FUSE 6 IS SUPPLIED WITH POWER WITH THE IGNITION SWITCH IN THE RUN OR START POSITIONS



CONNECTOR REFERENCE NUMBER FOR COMPONENT LOCATION CHART

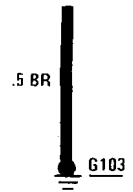
CHART ALSO SHOWS TOTAL NUMBER OF CONTACTS POSSIBLE: C103 (6 PIN)

WIRE INSULATION IS ONE COLOR

A WAVY LINE MEANS A WIRE IS CONTINUED

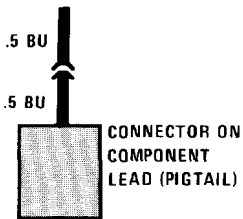
WIRE INSULATION IS ONE COLOR WITH ANOTHER COLOR STRIPE (RED WITH BROWN)

WIRE SIZE IN MM²

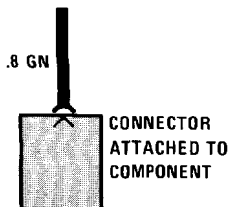


WIRE IS ATTACHED TO METAL PART OF CAR (GROUNDED) GROUND IS NUMBERED FOR REFERENCE ON COMPONENT LOCATION CHART

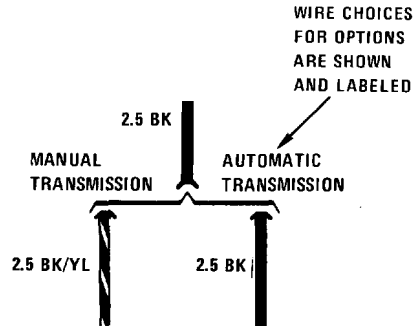
OTHER CIRCUITS THAT SHARE A GROUND ARE SHOWN IN GROUND DISTRIBUTION



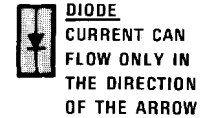
CONNECTOR ON COMPONENT LEAD (PIGTAIL)



CONNECTOR ATTACHED TO COMPONENT



WIRE CHOICES FOR OPTIONS ARE SHOWN AND LABELED

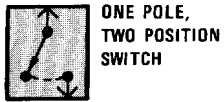


DIODE CURRENT CAN FLOW ONLY IN THE DIRECTION OF THE ARROW

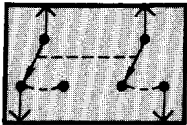
CIRCUIT REFERENCE - A WIRE WHICH CONNECTS TO ANOTHER CIRCUIT



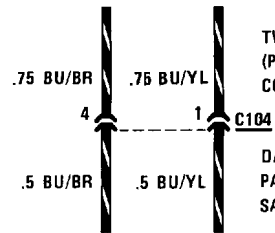
ACTIVE CHECK CONTROL



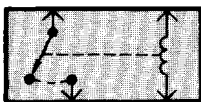
ONE POLE,
TWO POSITION
SWITCH



SWITCHES THAT
MOVE TOGETHER
DASHED LINE SHOWS
A MECHANICAL
CONNECTION
BETWEEN SWITCHES

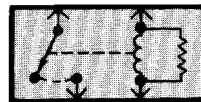


TWO CONNECTIONS
(PINS) IN THE SAME
CONNECTOR
DASHED LINE SHOWS
PARTS OF THE
SAME CONNECTOR



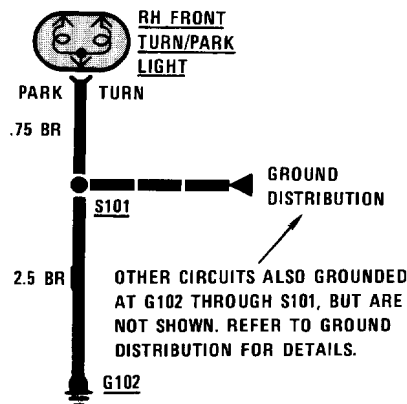
WHEN COIL IS
ENERGIZED,
SWITCH IS
PULLED CLOSED

RELAY SHOWN
WITH NO
CURRENT
FLOWING
THROUGH
COIL



RESISTOR ACROSS COIL
IS FOR NOISE
SUPPRESSION

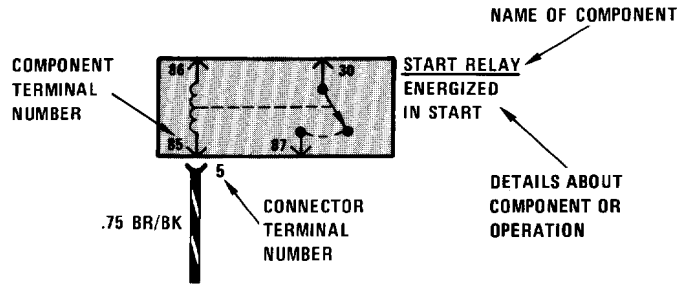
RELAY SHOWN
WITH RESISTOR
ACROSS COIL



OTHER CIRCUITS ALSO GROUNDED
AT G102 THROUGH S101, BUT ARE
NOT SHOWN. REFER TO GROUND
DISTRIBUTION FOR DETAILS.



LIGHT
EMITTING
DIODE



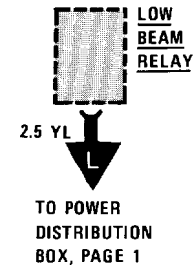
NAME OF COMPONENT

COMPONENT
TERMINAL
NUMBER

START RELAY
ENERGIZED
IN START

DETAILS ABOUT
COMPONENT OR
OPERATION

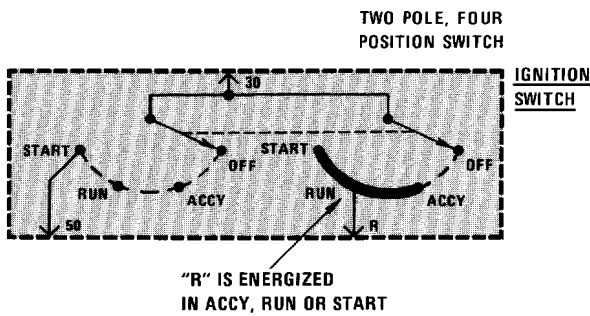
.75 BR/BK
CONNECTOR
TERMINAL
NUMBER



LOW
BEAM
RELAY

2.5 YL
TO POWER
DISTRIBUTION
BOX, PAGE 1

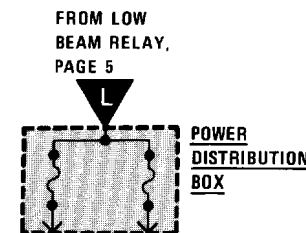
CURRENT PATH
IS CONTINUED
AS LABELED.
THE ARROW SHOWS
DIRECTION OF CURRENT
FLOW AND IS REPEATED
WHERE CURRENT
PATH CONTINUES.



TWO POLE, FOUR
POSITION SWITCH

IGNITION
SWITCH

"R" IS ENERGIZED
IN ACCY, RUN OR START



FROM LOW
BEAM RELAY,
PAGE 5

POWER
DISTRIBUTION
BOX

6 SYSTEMATIC TROUBLESHOOTING

TROUBLESHOOTING PROCEDURE

1. Verify the Problem

Operate the problem circuit to check the accuracy of the complaint. Note the symptoms of the inoperative circuit.

2. Analyze the Problem

Refer to the schematic of the problem circuit in the ETM. Determine how the circuit is supposed to work by tracing the current path(s) from the power feed through the circuit components to ground. Then based on the symptoms you noted in step 1 and your understanding of circuit operation, identify one or more possible causes of the problem.

3. Isolate the Problem

Make circuit tests to prove or disprove the preliminary diagnosis made in step 2. Keep in mind that a logical simple procedure is the key to efficient troubleshooting. Test for the most likely cause of failure first. Try to make tests at points which are easily accessible.

4. Repair the Problem

Once the specific problem is identified, make the repair using the proper tools and safe procedures.

5. Check the Problem

Operate the circuit to check for satisfactory circuit operation. Good repair practice calls for rechecking all circuits you have worked on.

TROUBLESHOOTING TOOLS

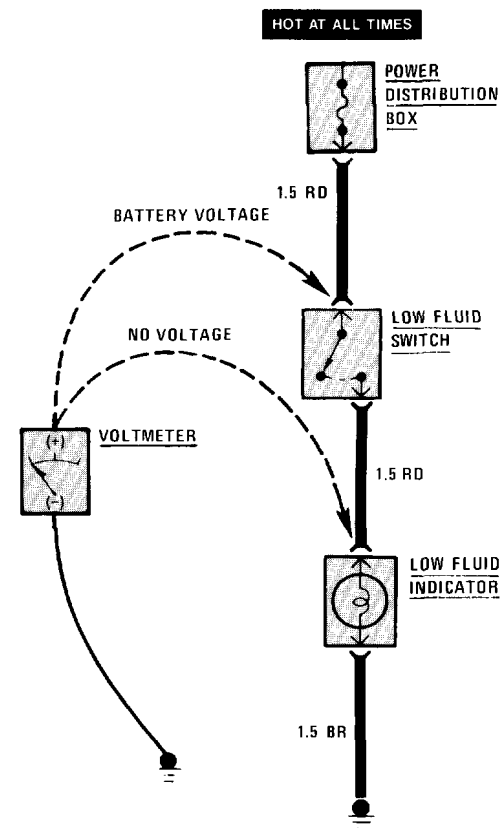
Isolating the problem (Step 3 of TROUBLESHOOTING PROCEDURES) requires the use of a **voltmeter** and/or **ohmmeter**. A voltmeter measures voltage at selected points in a circuit. An ohmmeter measures a circuit's resistance to current flow. It has an internal battery that provides current to the circuit under test. Disconnect the car battery when using an ohmmeter because the battery voltage will cause the ohmmeter to give false readings. Also, do not use an ohmmeter on solid-state components. The voltage that the ohmmeter applies to the circuit could damage these components.

TROUBLESHOOTING TESTS

Voltage Test

This test measures voltage in a circuit. By taking measurements at several points (terminals or connectors) along the circuit, you can isolate the problem.

To take a voltage measurement, connect the negative lead of the voltmeter to the battery's negative terminal or other known good ground. Then connect the positive lead of the voltmeter to the point you want to test. The voltmeter will measure the voltage present at that point in the circuit.

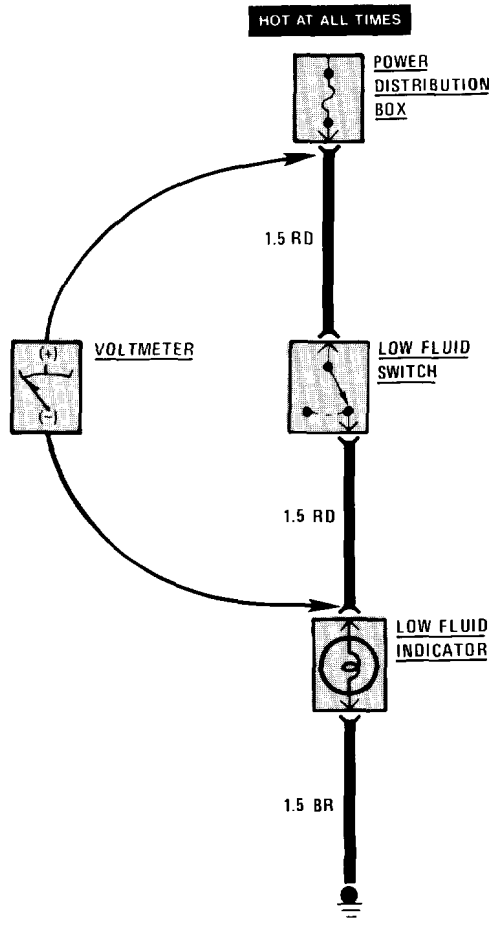


Voltage Test

Voltage Drop Test

Wires, connectors, and switches are designed to conduct current with a minimum loss of voltage. A voltage drop of more than one volt indicates a problem.

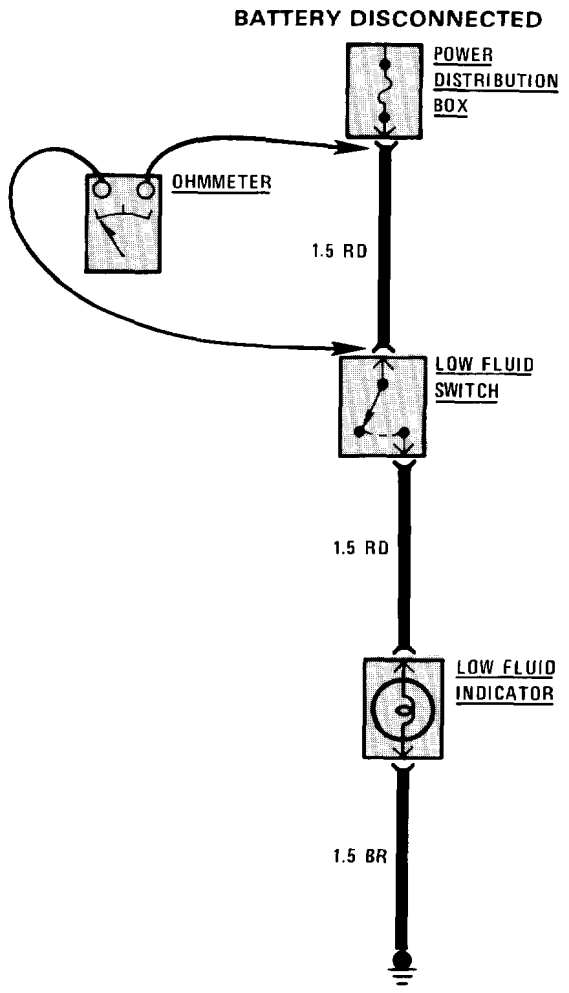
To test for voltage drop, connect the voltmeter leads to connectors at either end of the circuit's suspected problem area. The positive lead should be connected to the connector closest to the power source. The voltmeter will show the voltage drop between these two points.



Voltage Drop Test

Continuity Test

To perform a continuity test, first disconnect the car battery. Then adjust the ohmmeter to read zero while holding the leads together. Connect the ohmmeter leads to connector or terminals at either end of the circuit's suspected problem area. The ohmmeter will show the resistance across that part of the circuit.

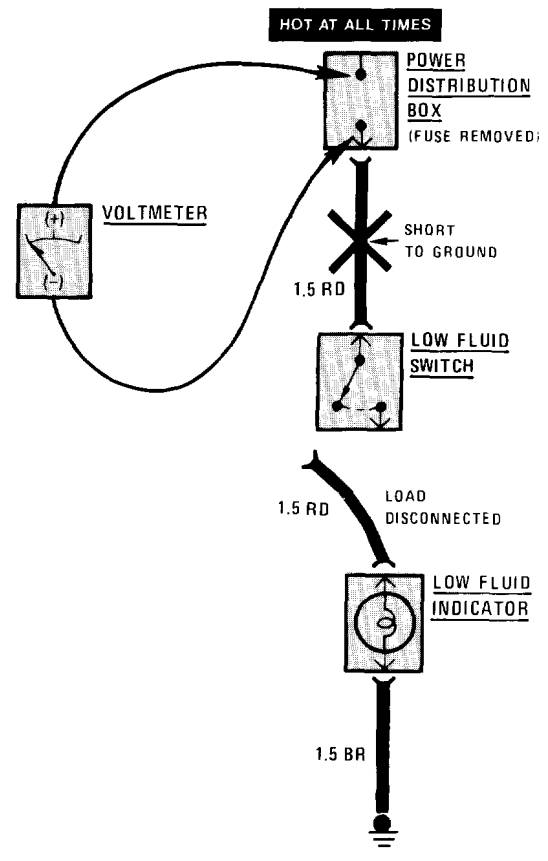


Continuity Test

Short Test Using Voltmeter

Remove the blown fuse and disconnect the load. Connect the voltmeter leads to the fuse terminals. The positive lead should be connected to the terminal closest to the power source.

Starting near the POWER DISTRIBUTION BOX, move the wire harness back and forth and watch the voltmeter reading. If the voltmeter registers a reading, there is a short to ground in the wiring. Somewhere in the area of the harness being moved, the wire insulation is worn away and the circuit is grounding.



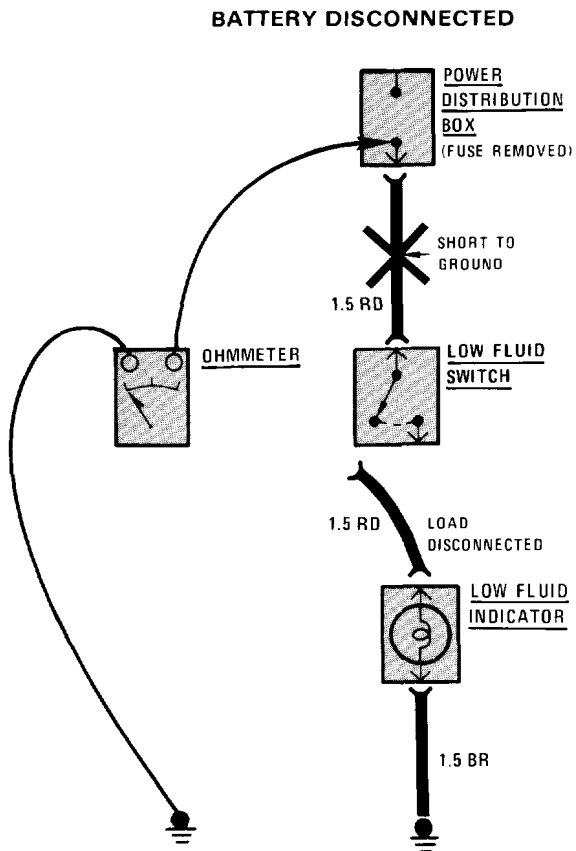
Short Test Using Voltmeter

8 SYSTEMATIC TROUBLESHOOTING

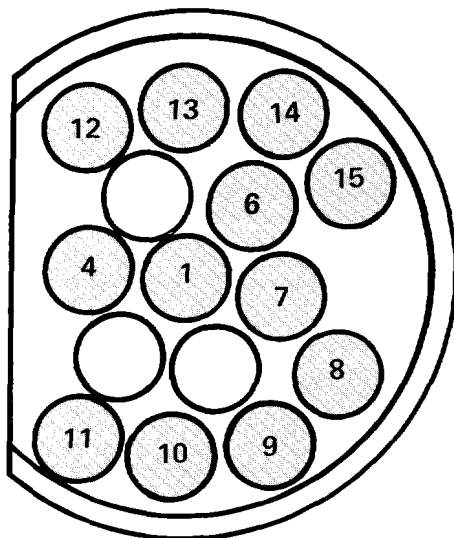
Short Test Using Ohmmeter

Disconnect the battery. Adjust the ohmmeter to read zero while holding the leads together. Remove the blown fuse and disconnect the load. Connect one lead of the ohmmeter to the fuse terminal that is closest to the load. Connect the other lead to a known good ground.

Starting near the POWER DISTRIBUTION BOX, move the wire harness back and forth and watch the ohmmeter reading. Low or no resistance indicates a short to ground in the wiring. Infinitely high resistance indicates no short.



Short Test Using Ohmmeter



DIAGNOSTIC CONNECTOR FACE

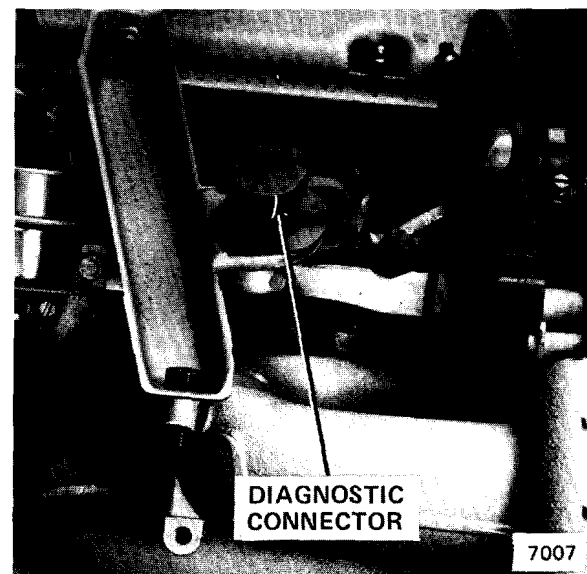
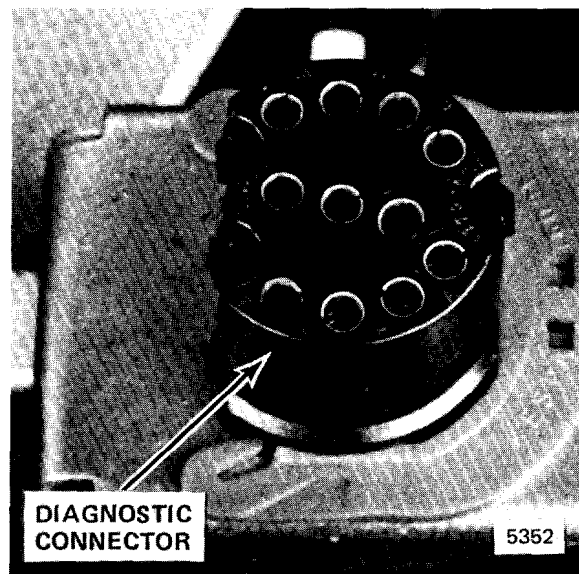


Figure 1 - Top Front of Engine

PIN	WIRE SIZE	WIRE COLOR	CIRCUIT AND COMPONENT CONNECTED
1	1.5	BR	Ground Distribution, G103.
4	.5	BR/WT	Gauges/Warning Indicators, Coolant Temperature Sender.
6	.5	WT/BK	Not Used.
7	.5	WT/BU	Service Interval Indicator, Service Interval Processor.
8	.5	YL	Ignition, TDC Sensor.
9		SHIELD	Ignition, TDC Sensor.
10	.5	BK	Ignition, TDC Sensor.
11	2.5	BK/YL	Start, Start Signal.
12	.75	BU	Charge System, Alternator.
13	.75	BK	Ignition, Ignition Coil.
14	2.5	RD	Charge System, Alternator.
15	1.5	GN/YL	Fuel Control, Oxygen Sensor Heater Relay.

102 POWER DISTRIBUTION BOX

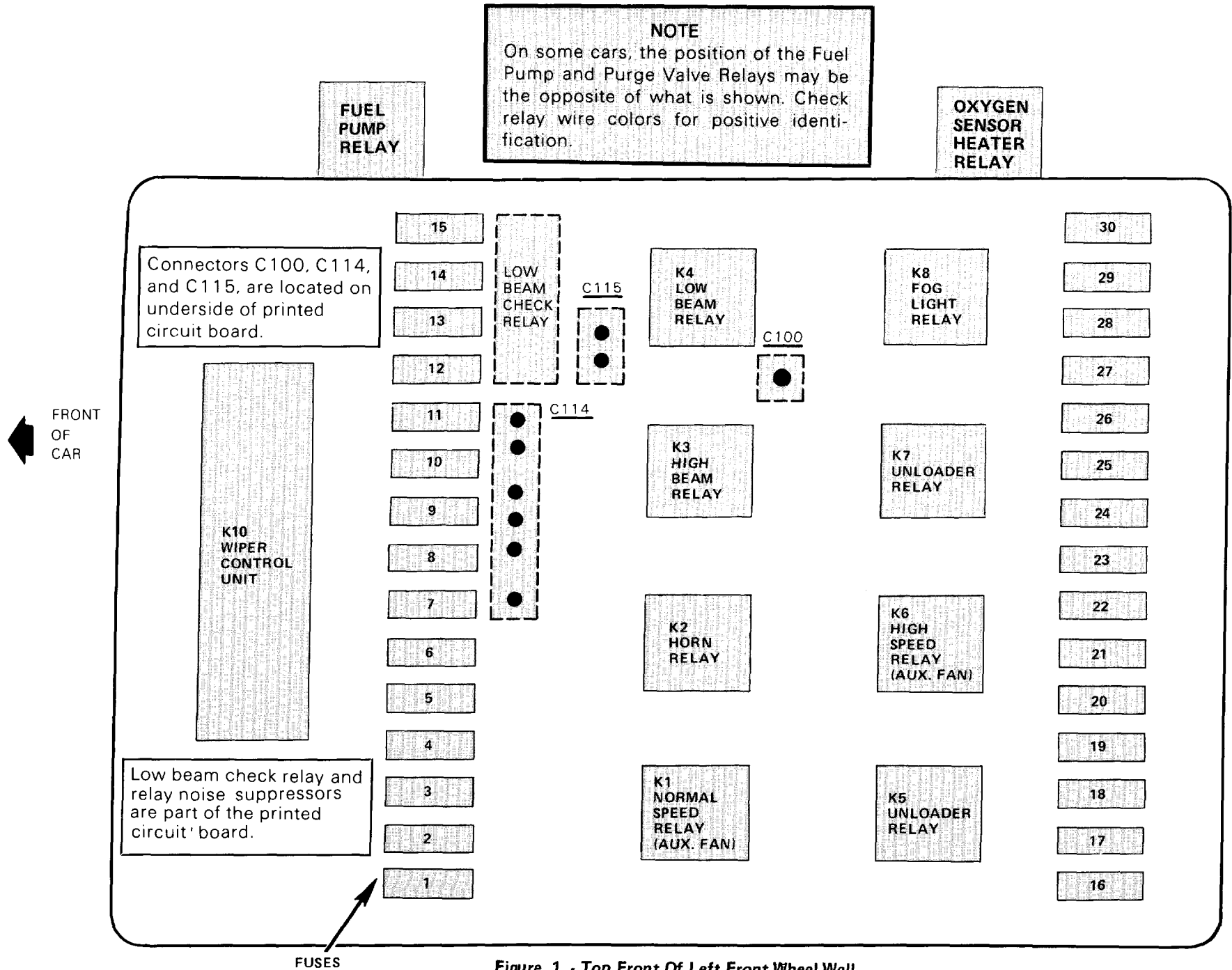


Figure 1 - Top Front Of Left Front Wheel Well

FUSE NO.	SIZE/ COLOR	CIRCUIT PROTECTED
1	15A (LT BU)	Headlights (also fuses 2, 13, 14).
2	15A (LT BU)	Headlights (also fuses 1, 13, 14).
3	15A (LT BU)	Auxiliary Fan (also fuses 16, 18).
4	15A (LT BU)	Lights: Turn/Hazard Warning (also fuse 24).
5	25A (WT)	Wiper/Washer, Windshield Washer Jet Heater.
6	7.5A (BR)	Active Check Control (also fuse 10, 12, 21, 22, 23); Stoplights/Cruise Control (also fuse 17).
7	15A (LT BU)	Horn.
8		Not Used.
9	7.5A (BR)	Back Up Lights; Fuel Control.
10	7.5A (BR)	Active Check Control (also fuses 6, 12, 21, 22, 23); Brake Lining Warning; On-Board Computer (also fuse 12, 21, 27); Seatbelt Warning; Service Interval Indicator (also fuse 21); Speedometer/Gauges/Warning Indicators.
11	15A (LT BU)	Fuel Delivery.
12	7.5A (BR)	Active Check Control (also fuses 6, 10, 21, 22, 23); On-Board Computer (also fuses 10, 21, 27); Radio (also fuses 12, 28, Radio In-Line Fuse); Warning Indicators
13	7.5A (BR)	Headlights (also fuses 1, 2, 14).
14	7.5A (BR)	Headlights (also fuses 1, 2, 13).
15		Not Used.
16	30A (LT GRN)	Auxiliary Fan/Vacuum Pump (also fuses 3, 18); Heating/Air Conditioning.
17	15A (LT BU)	Heater/Air Conditioning; Interior Lights (also fuse 21); Power Mirrors; Power Windows (also fuse 26); Seatbelt Warning (also fuse-10, 21); Stoplights/Cruise Control (also fuse 6); Windshield Washer Jet Heaters.

FUSE NO.	SIZE/ COLOR	CIRCUIT PROTECTED
18	30A (LT GRN)	Auxiliary Fan.
19	30A (LT GN)	Sunroof.
20	30A (LT GN)	Rear Defogger (also fuse 23).
21	7.5A (BR)	Active Check Control (also fuses 6, 10, 12, 22, 23); Auto-Charging Flashlight; Gauges; Glove Box Light; Interior Lights (also fuse 17); On-Board Computer (also fuses 10, 12, 27); Radio (also fuse 12); Service Interval Indicator (also fuse 10); Trunk Lights.
22	7.5A (BR)	Active Check Control (also fuses 6, 10, 12, 21, 23); Lights: Front Park/Tail.
23	7.5A (BR)	Active Check Control (also fuses 6, 10, 12, 21, 22); Rear Defogger (also fuse 20); Lights: Front Park/Tail/Underhood (also fuse 22); Lights: Visor/Dash; Lights: Rear Marker/License
24	15A (LT BU)	Lights: Turn/Hazard Warning (also fuse 4).
25		Not Used.
26	30A (LT GN)	Power Seats; Power Windows (also fuse 17).
27	30A (LT GN)	Central Locking; Heated Door Lock On-Board Computer (also fuses 10, 12, 21).
28	30A (LT GN)	Cigar Lighter; Power Antenna (also fuses 12, 21, Radio In-Line Fuse)
29	7.5A (BR)	Fog Lights (also fuse 30).
30	7.5A (BR)	Fog Lights (also fuse 29).
Power Window Circuit Breaker	25A	Power Windows

BLANK

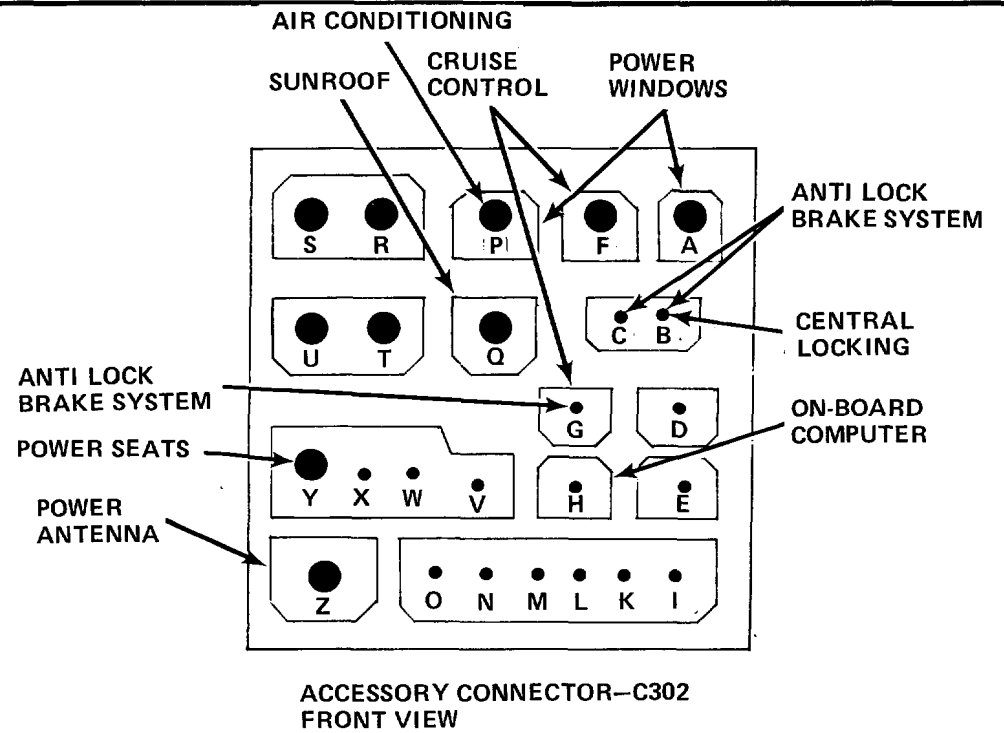
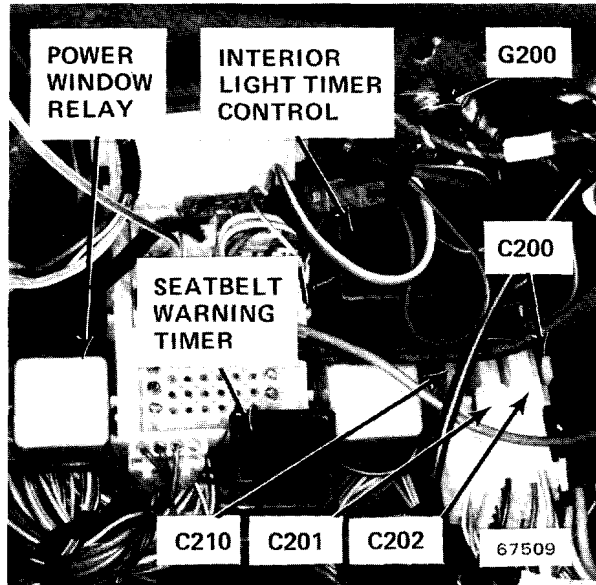
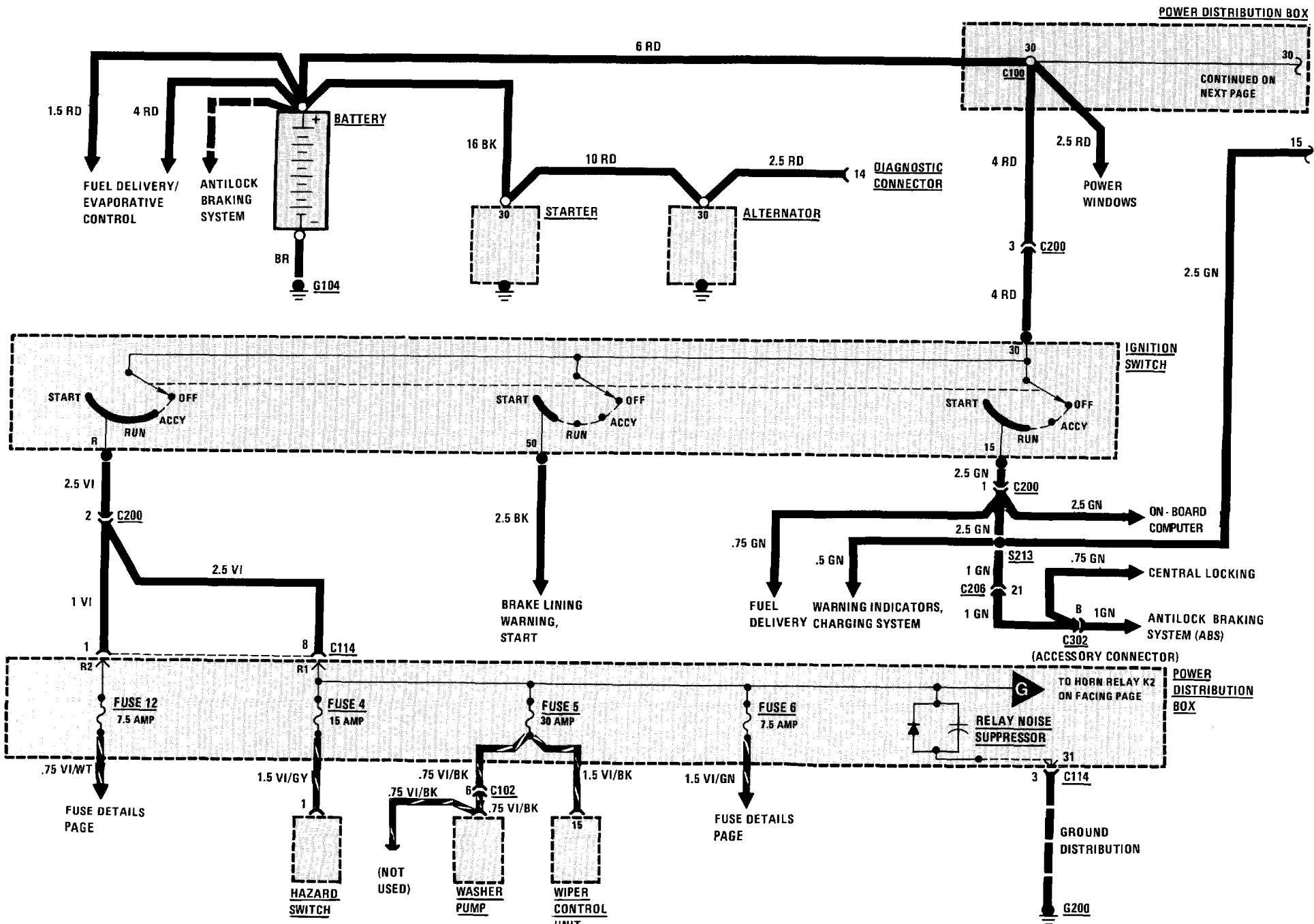


Figure 1 - Under Left Side Of Dash

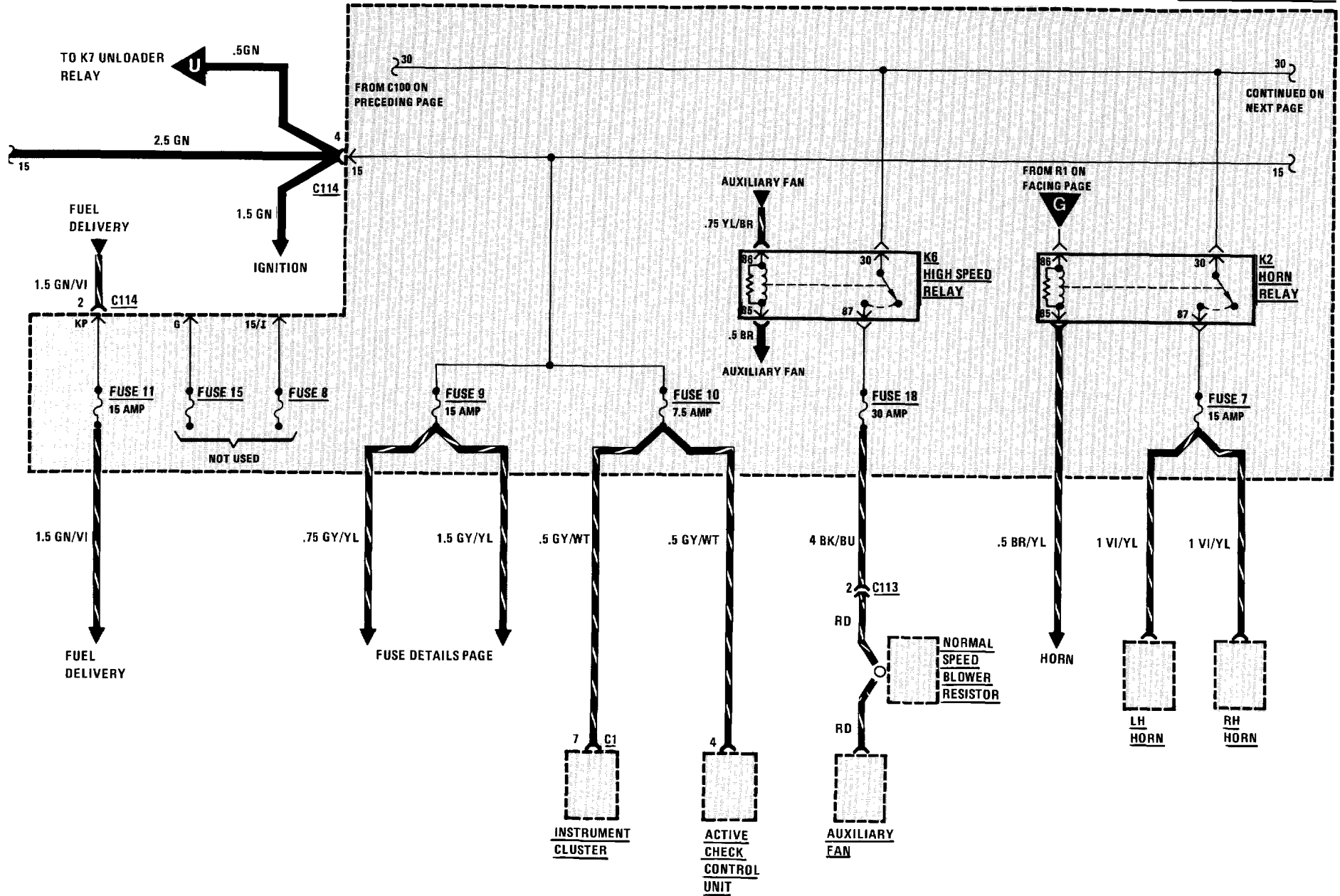
104 POWER DISTRIBUTION

(For Component Locations See Page 210)



(For Component Locations See Page 210)

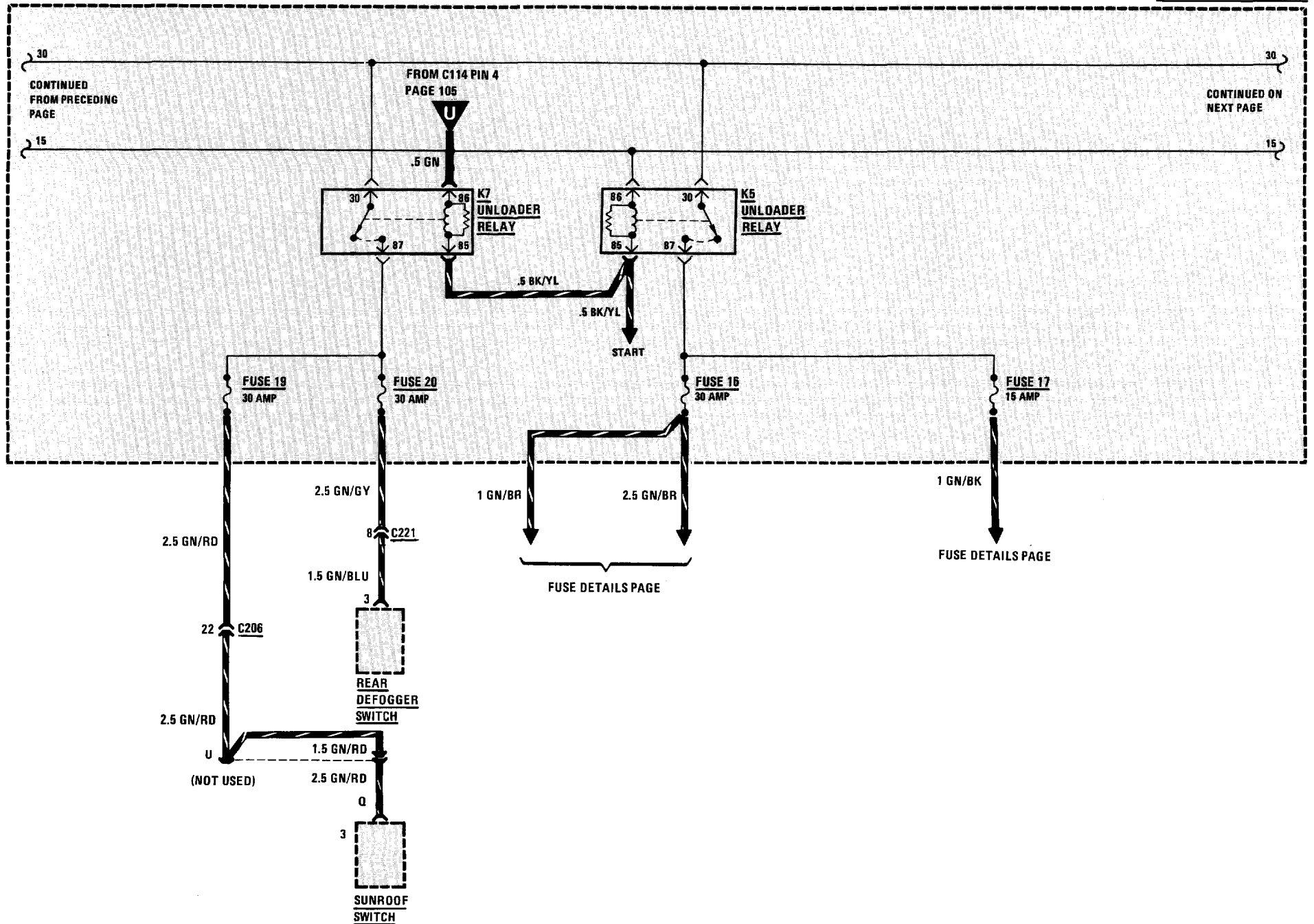
POWER DISTRIBUTION BOX



106 POWER DISTRIBUTION

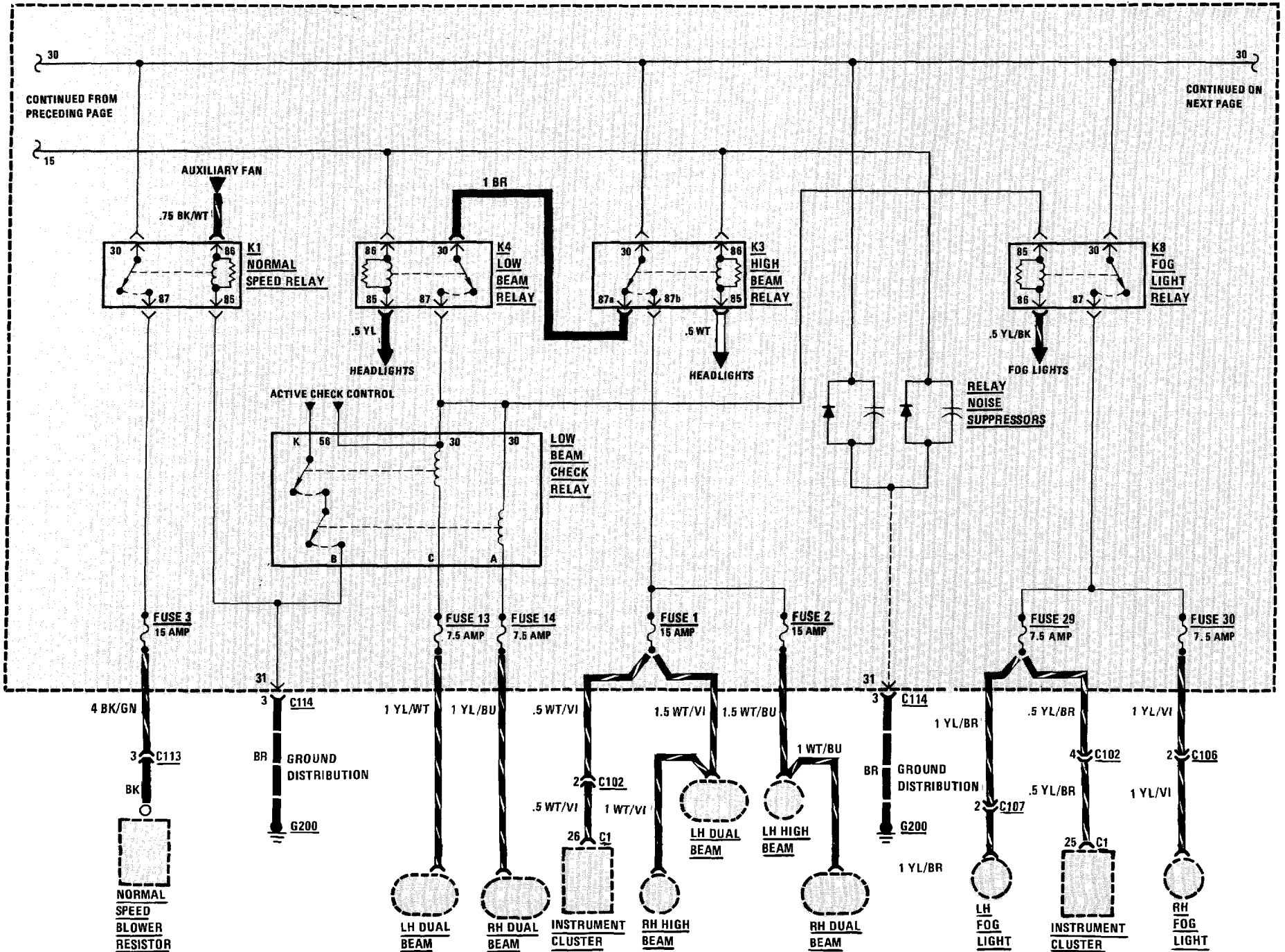
(For Component Locations See Page 210)

POWER DISTRIBUTION BOX



(For Component Location See Page 210)

POWER DISTRIBUTION BOX



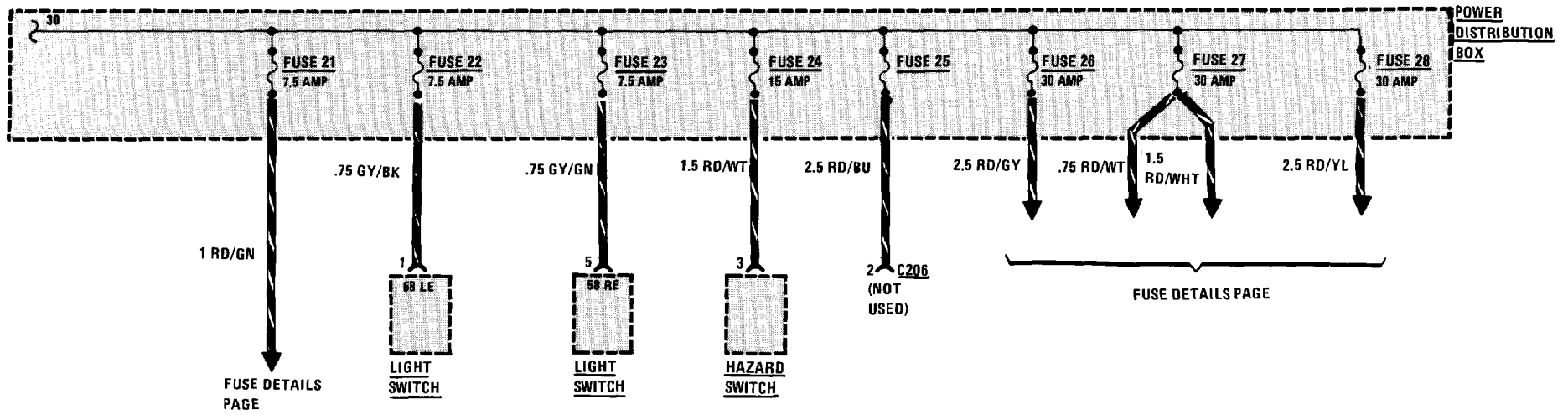
CONTINUED FROM PRECEDING PAGE

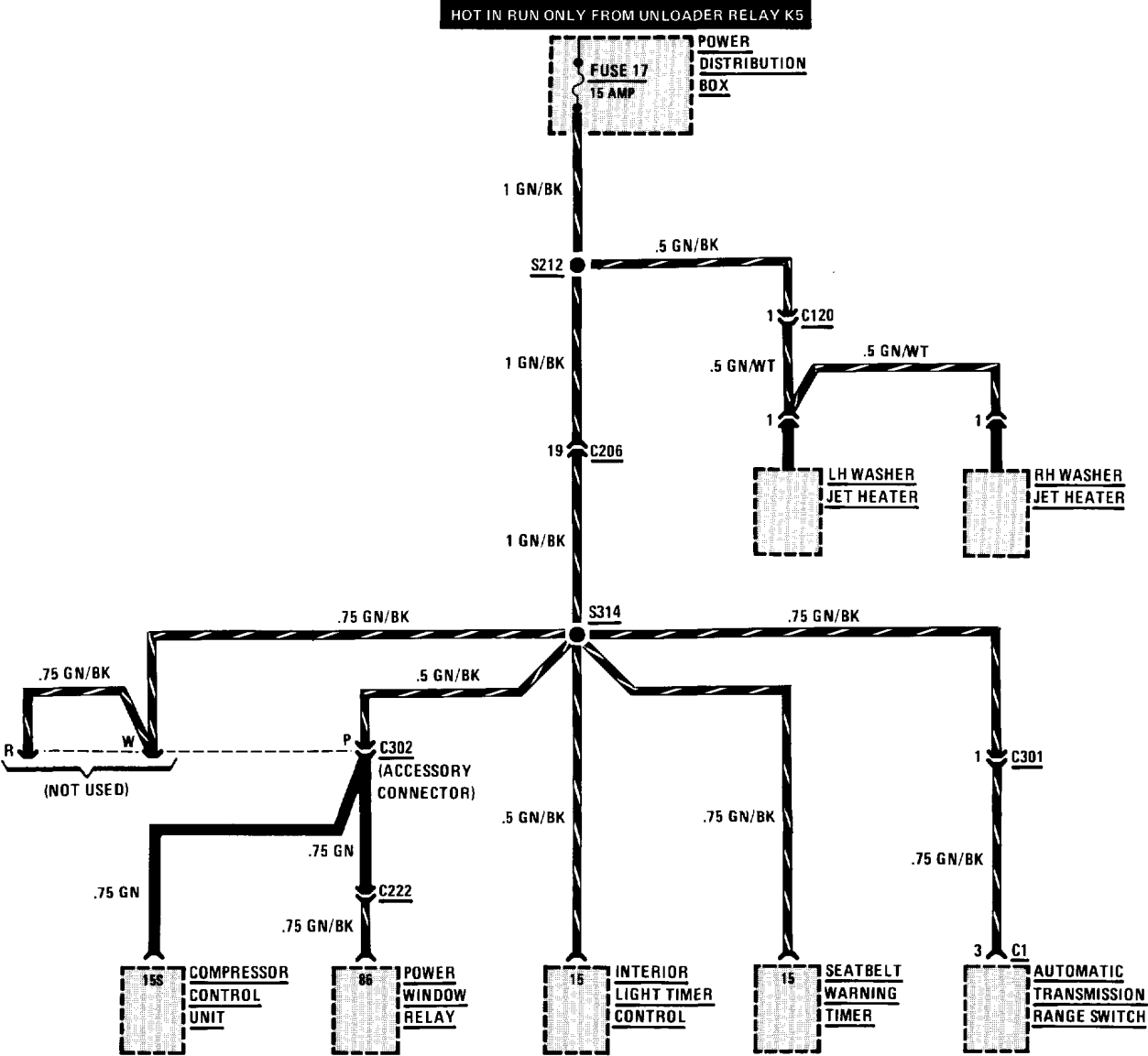
CONTINUED ON NEXT PAGE

NORMAL
SPEED
BLOWER
RESISTOR

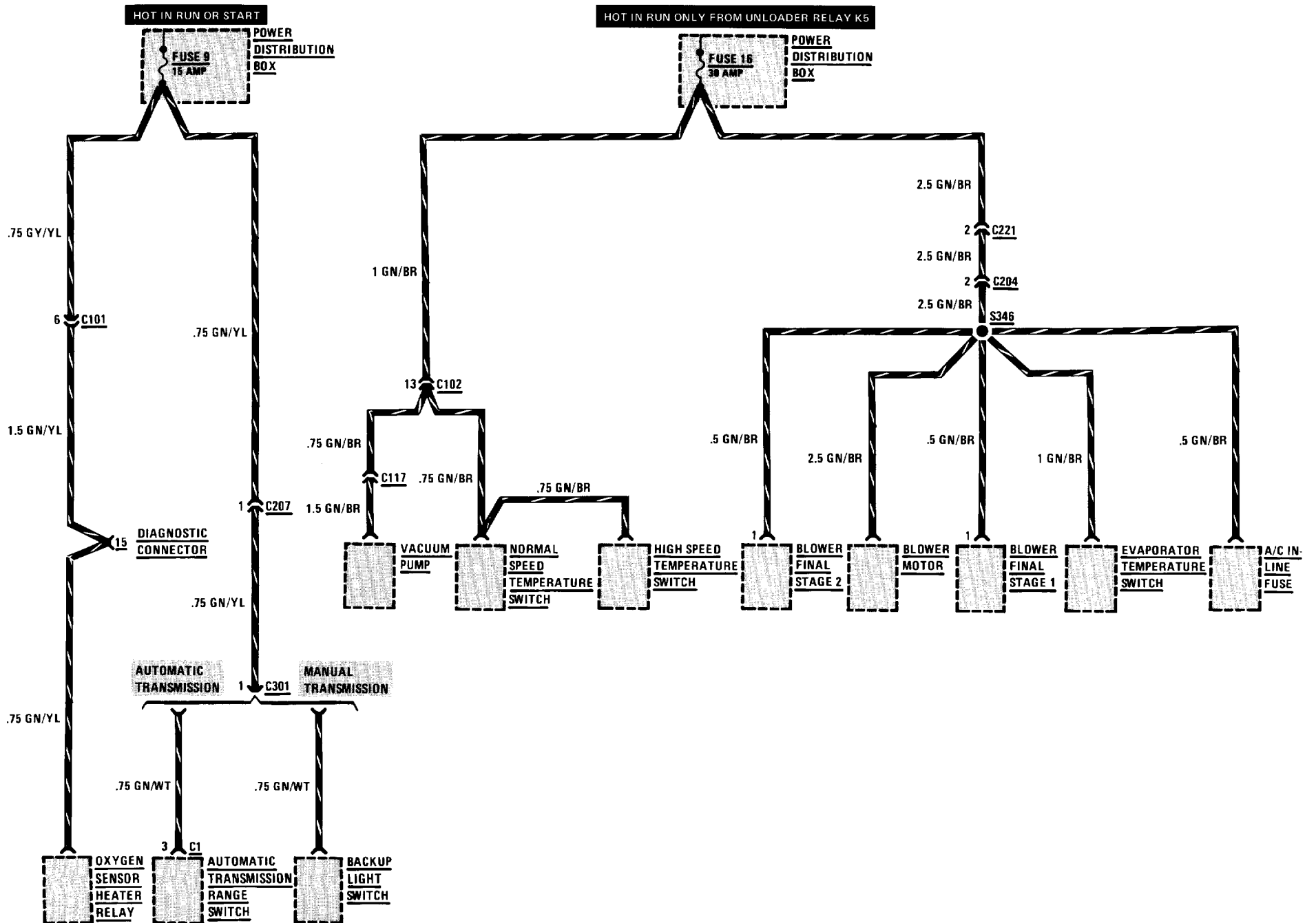
108 POWER DISTRIBUTION

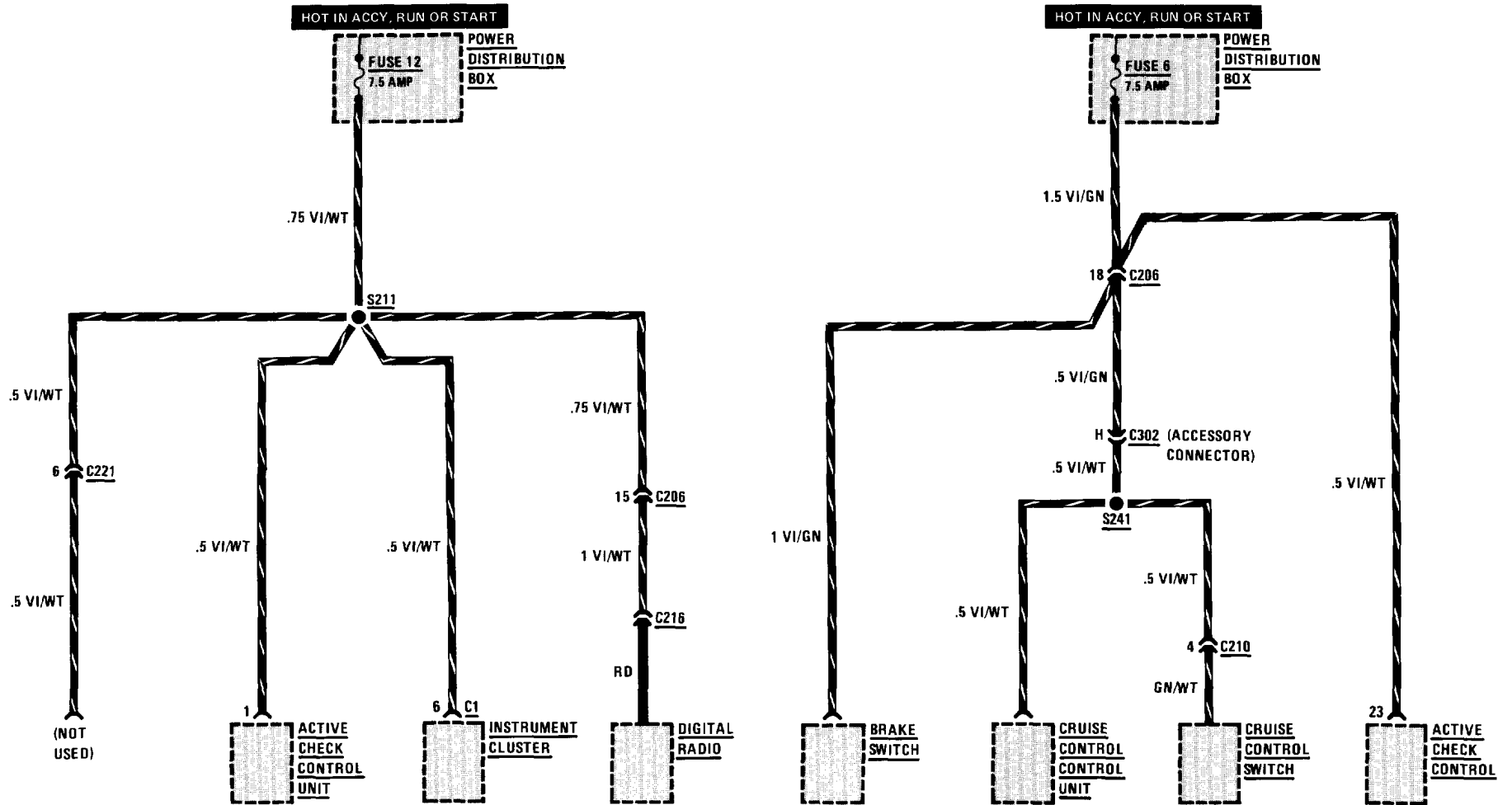
(For Component Locations See Page 210)



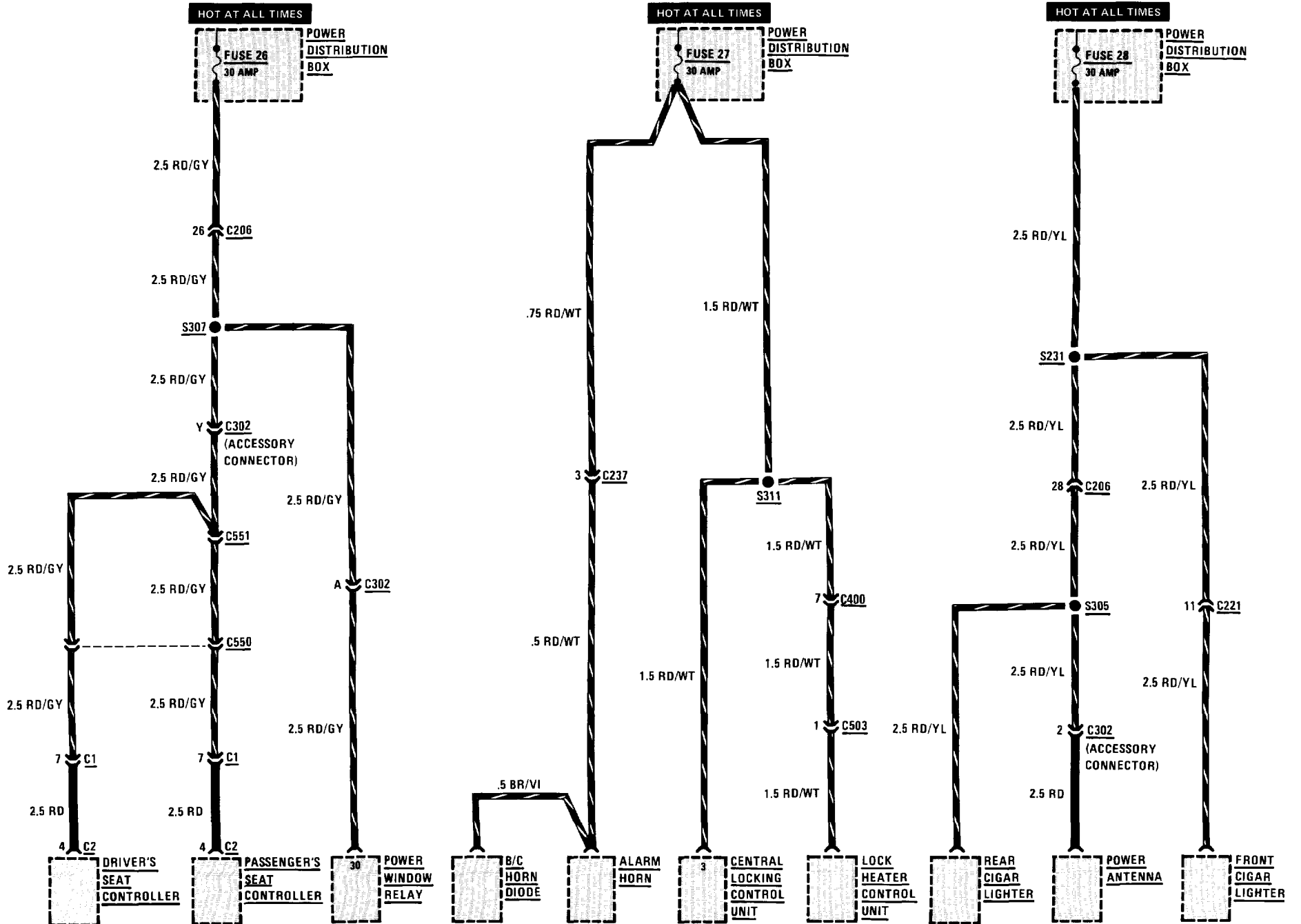


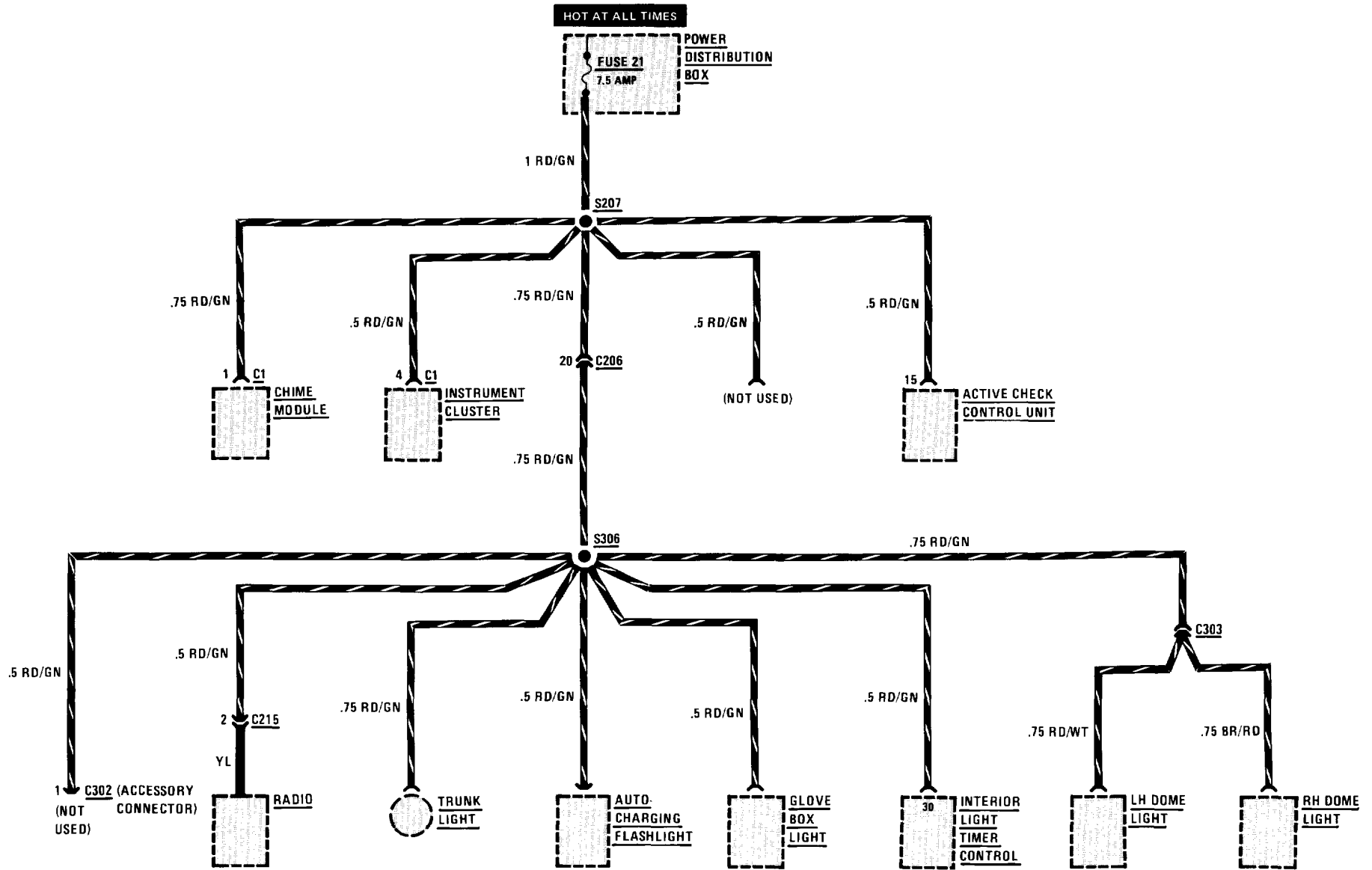
110 FUSE DETAILS: FUSES 9 AND 16

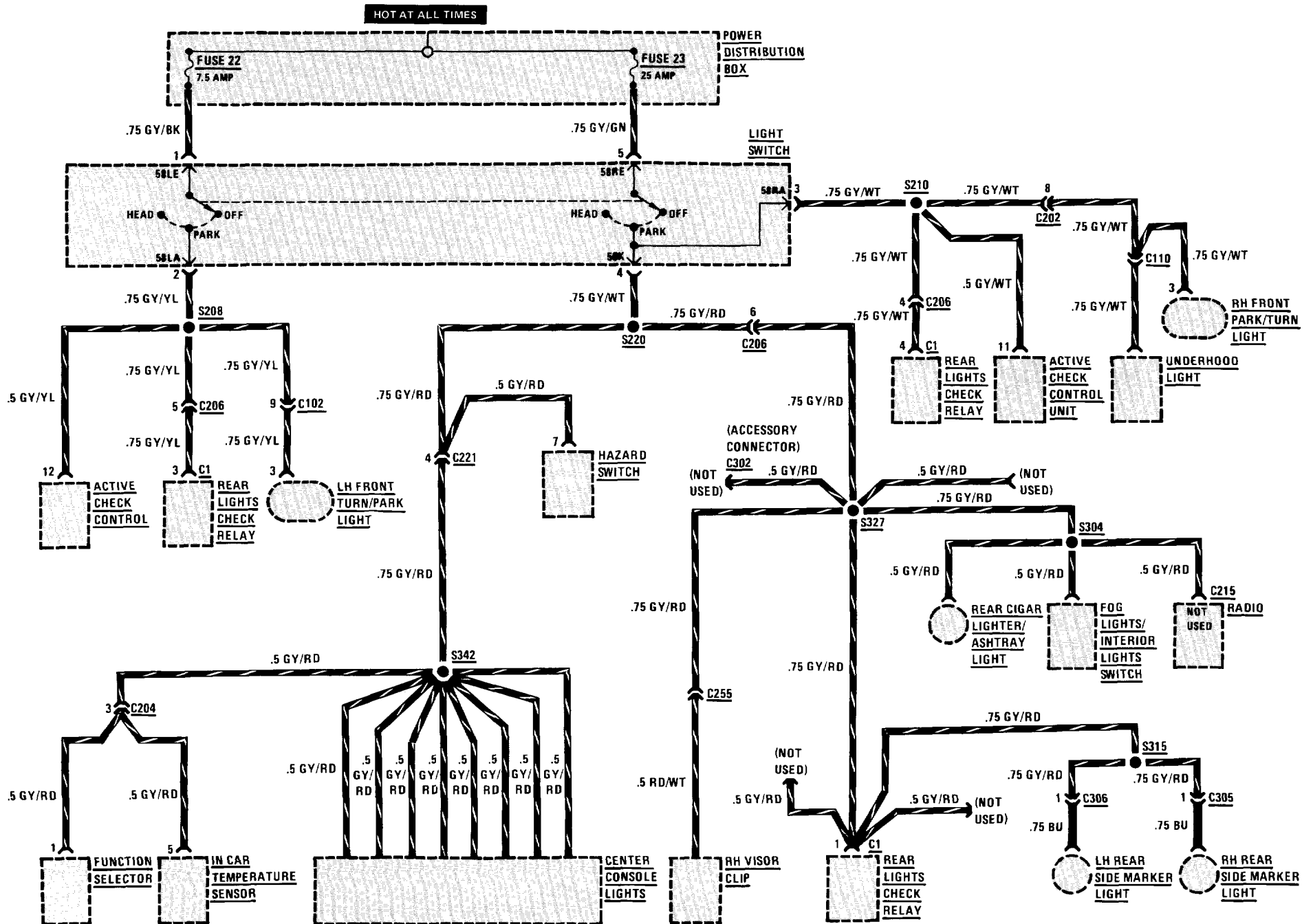


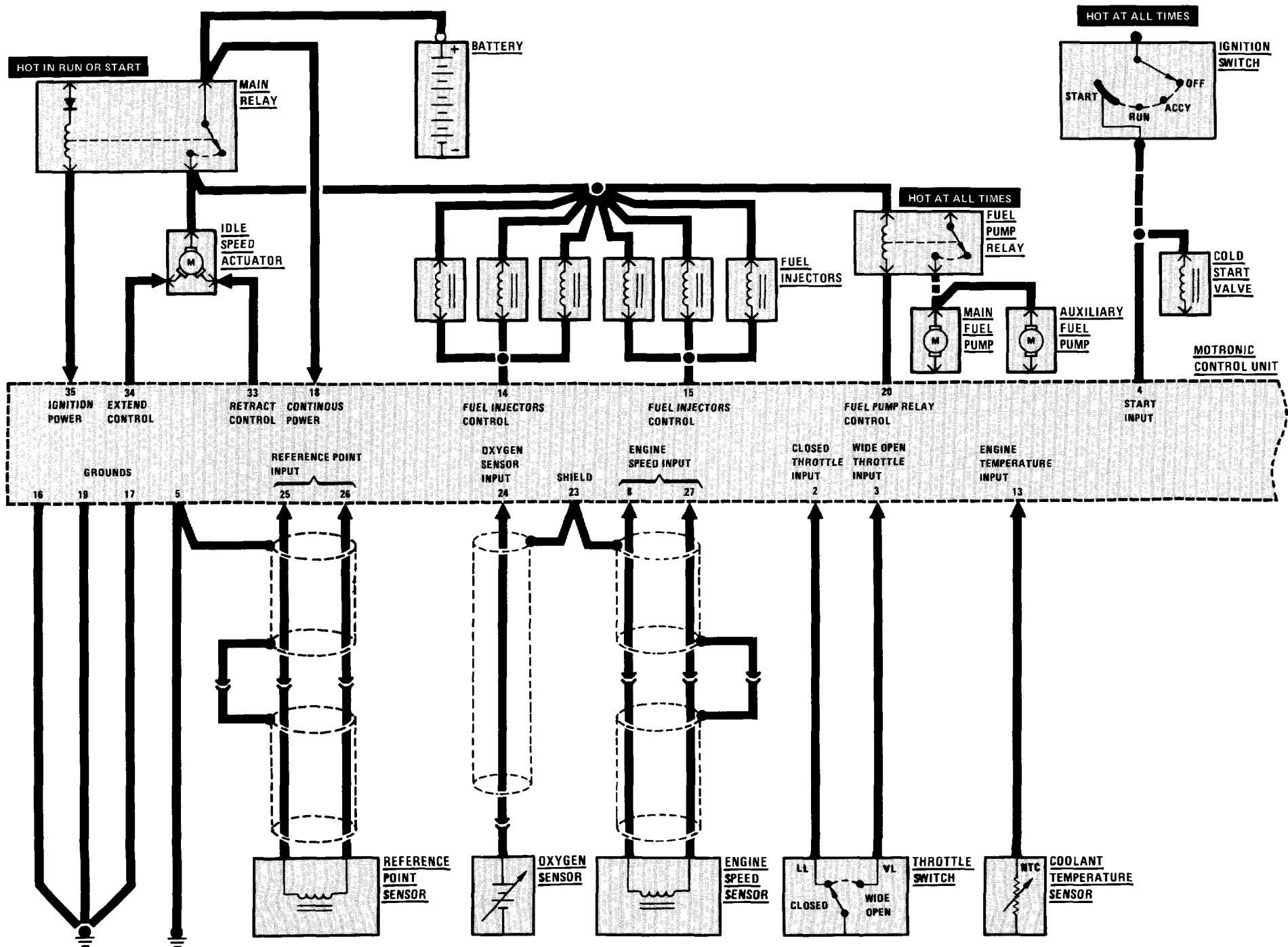


112 FUSE DETAILS: FUSES 26, 27, AND 28

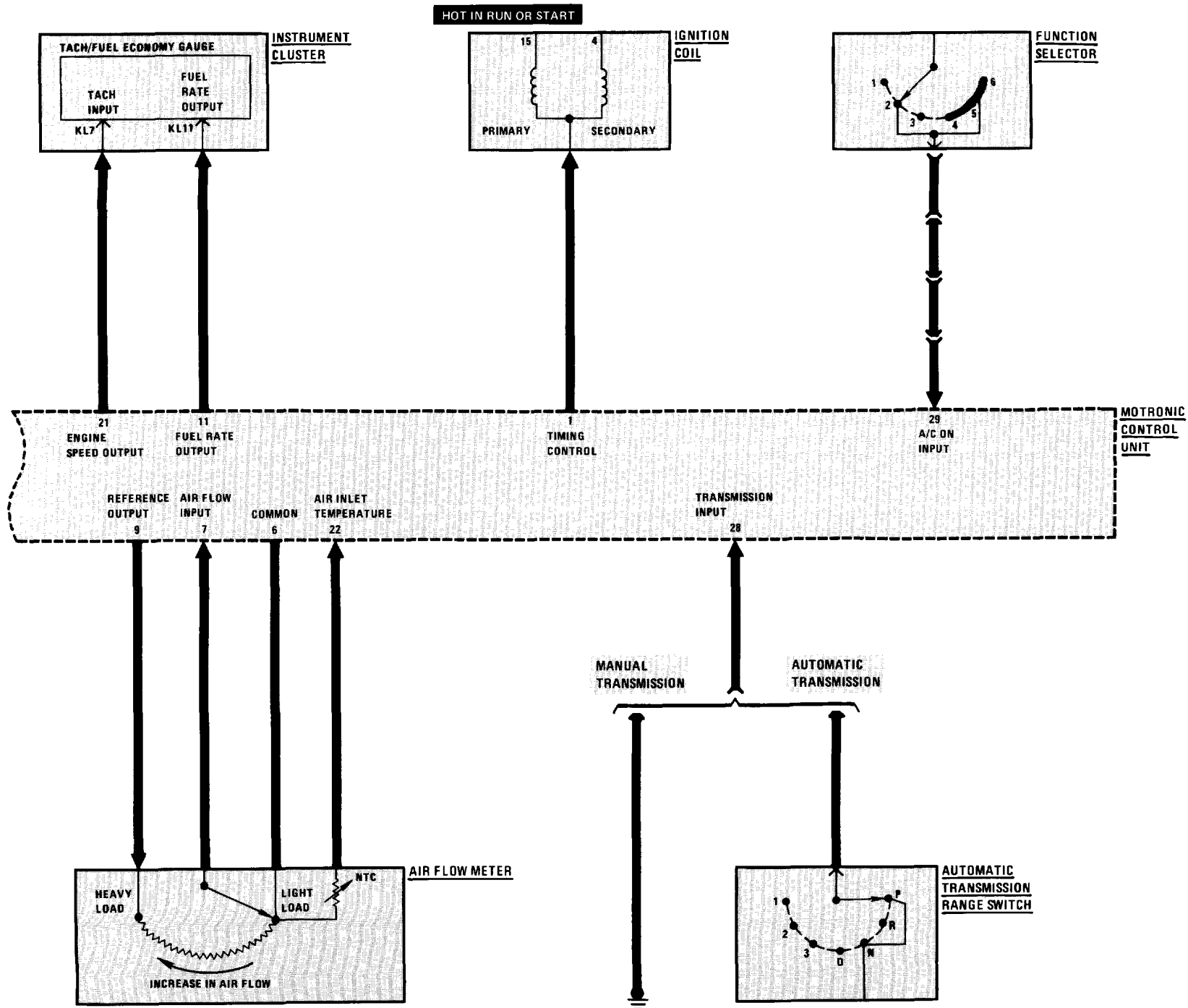




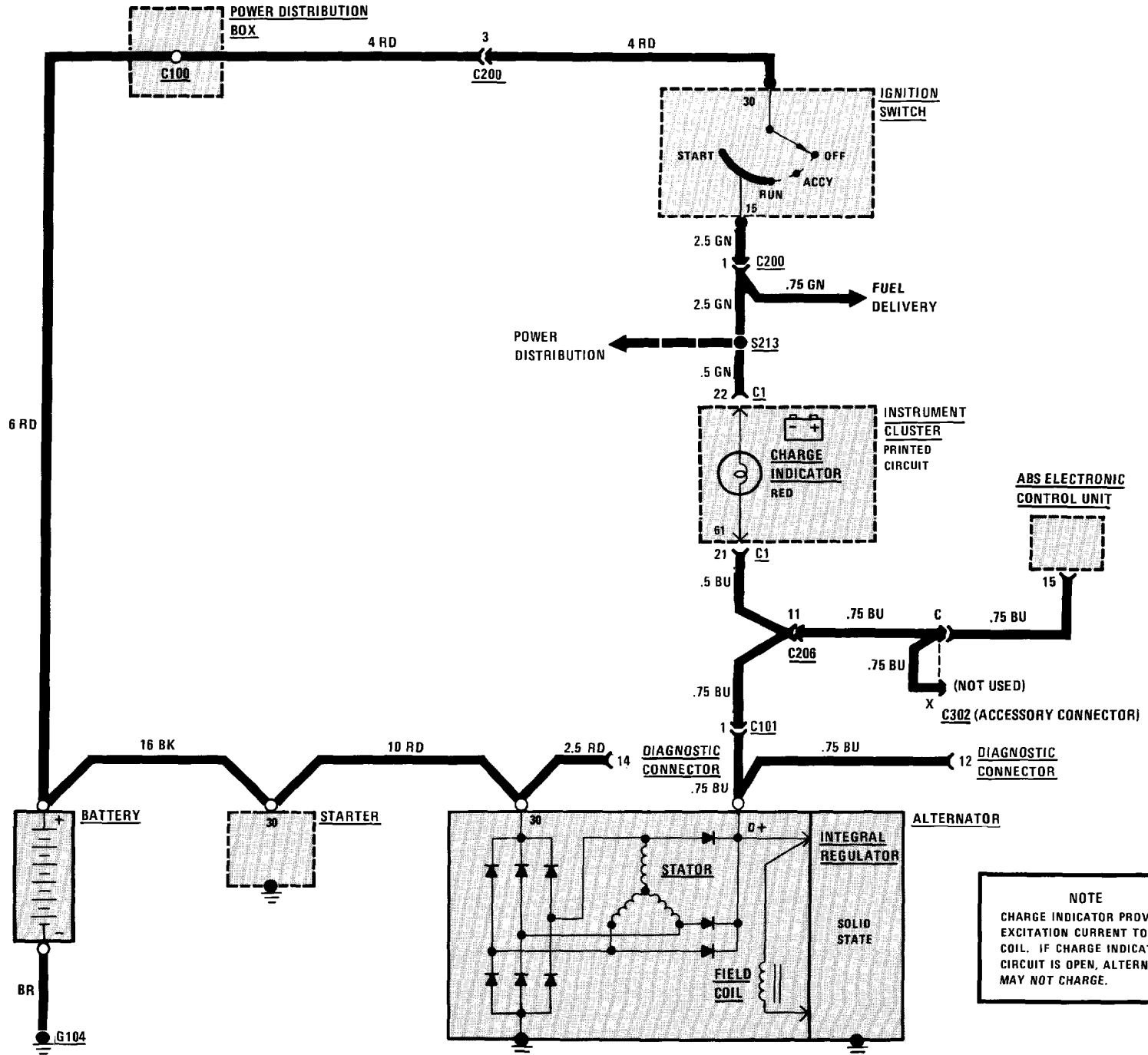




116 BLOCK DIAGRAM FOR 735i ENGINE CONTROLS



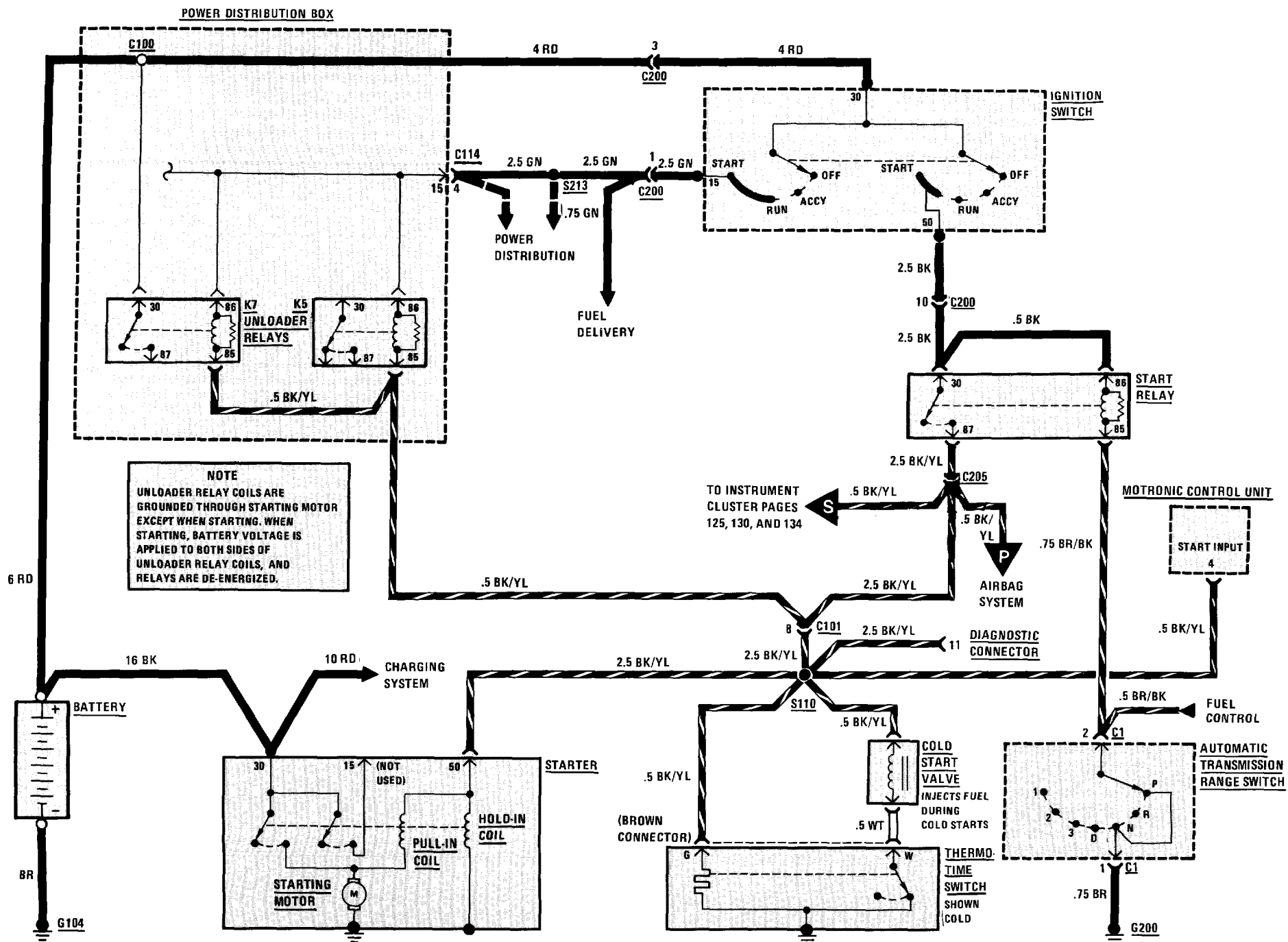
(For Component Locations See Page 204)



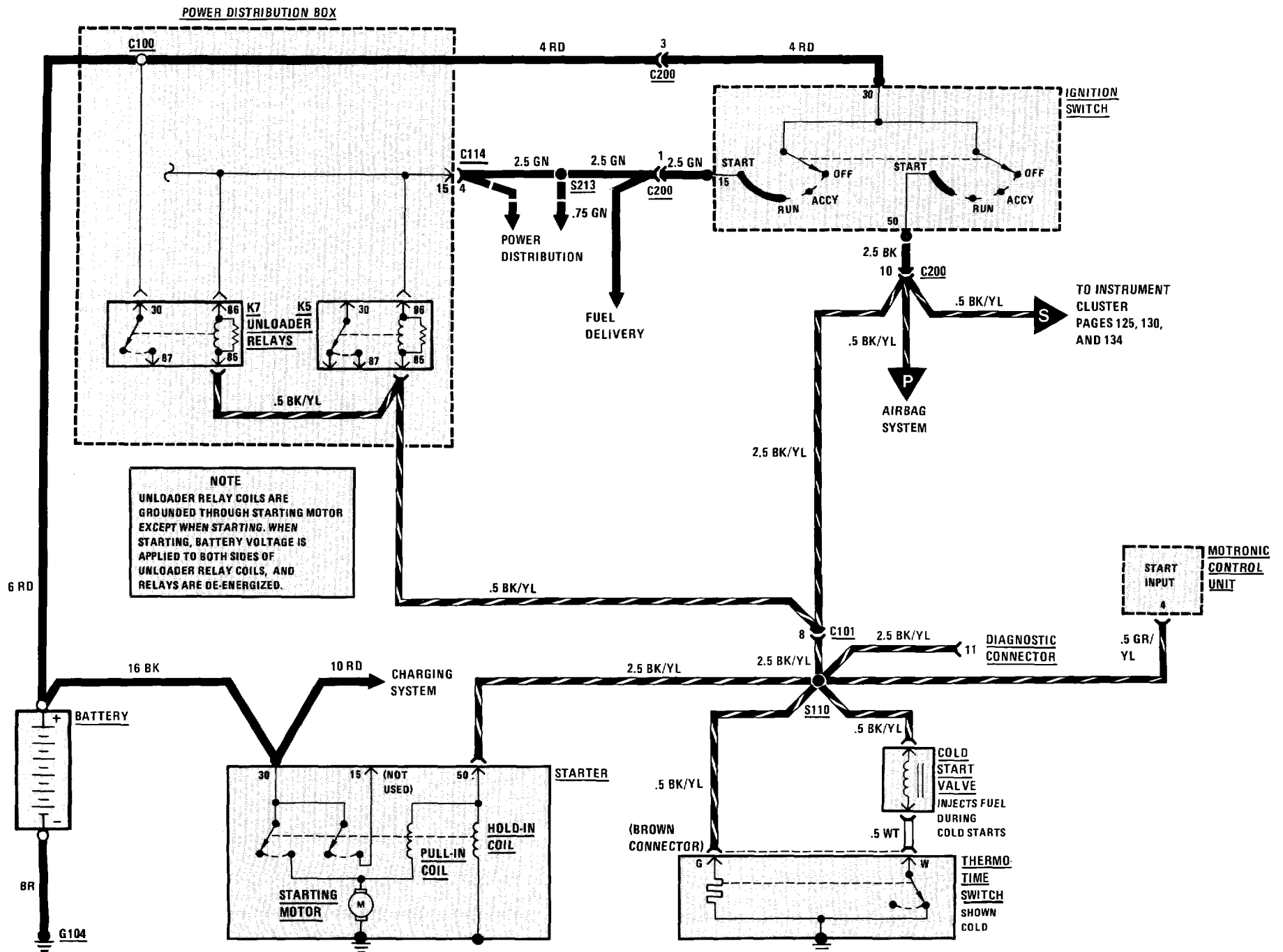
NOTE
 CHARGE INDICATOR PROVIDES EXCITATION CURRENT TO FIELD COIL. IF CHARGE INDICATOR CIRCUIT IS OPEN, ALTERNATOR MAY NOT CHARGE.

118 START (AUTOMATIC TRANSMISSION)

(For Component Locations See Page 212)

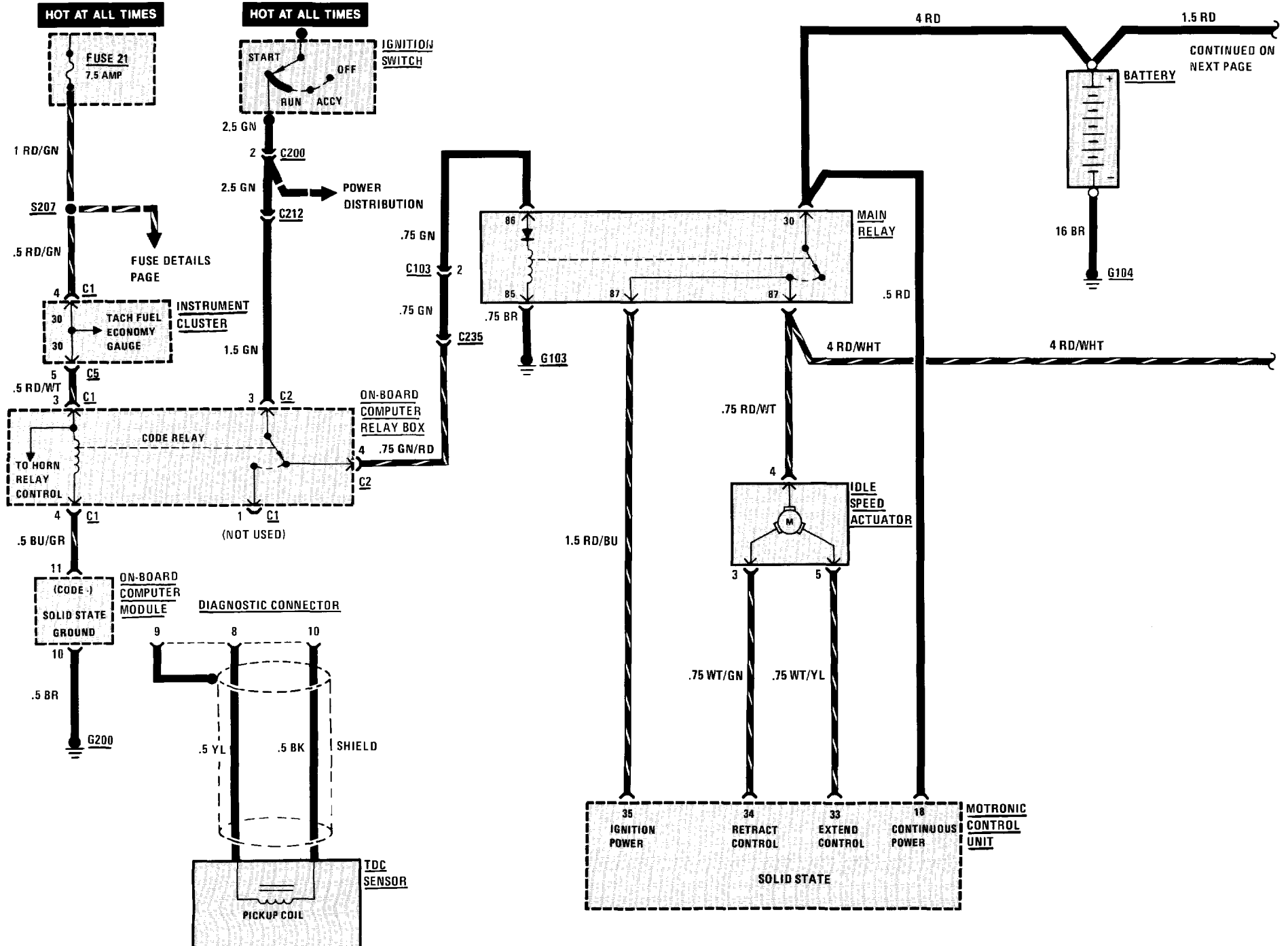


(For Component Locations See Page 212)

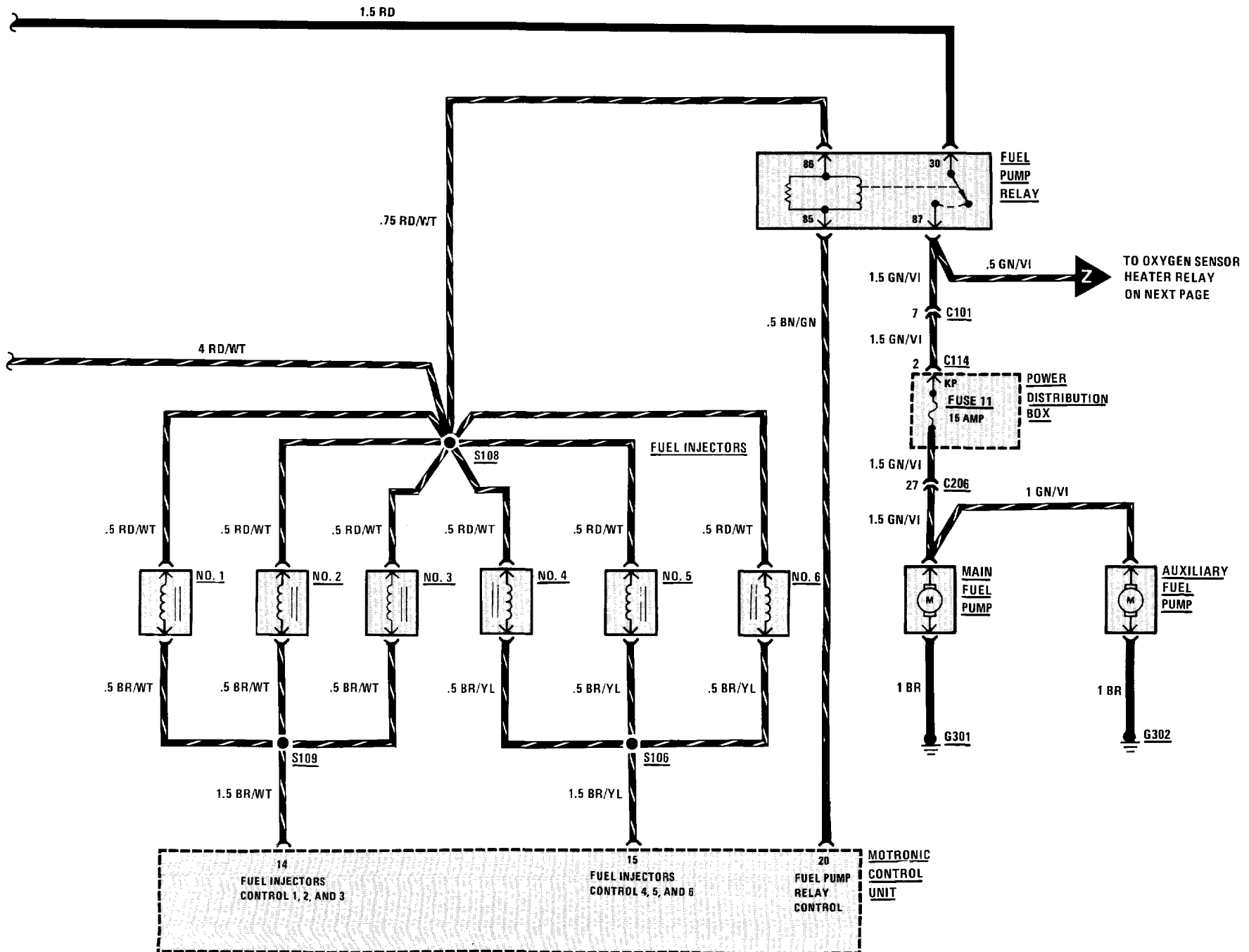


120 FUEL DELIVERY/FUEL CONTROL/IDLE SPEED CONTROL

(For Component Locations See Page 205)

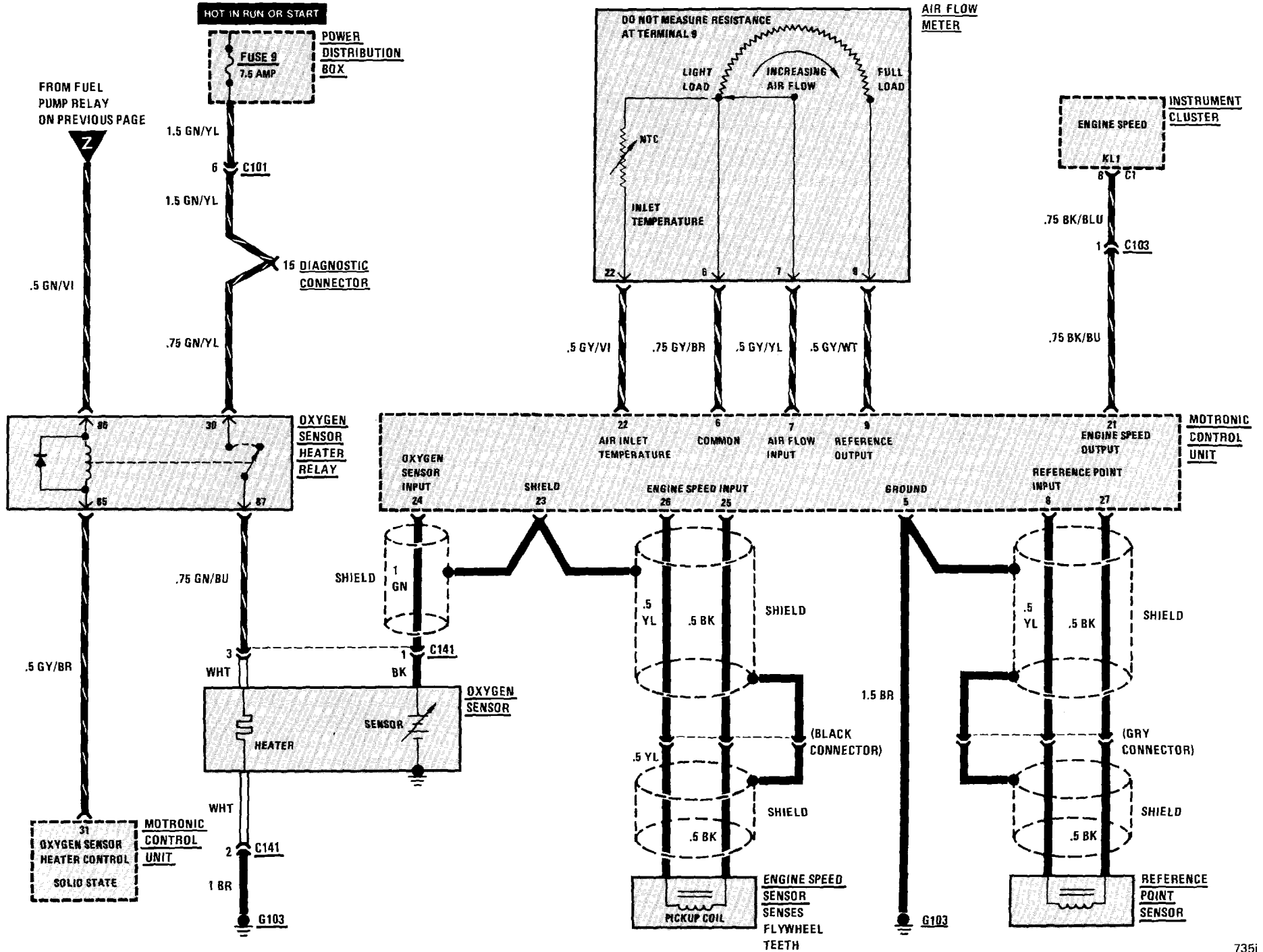


(For Component Locations See Page 205)

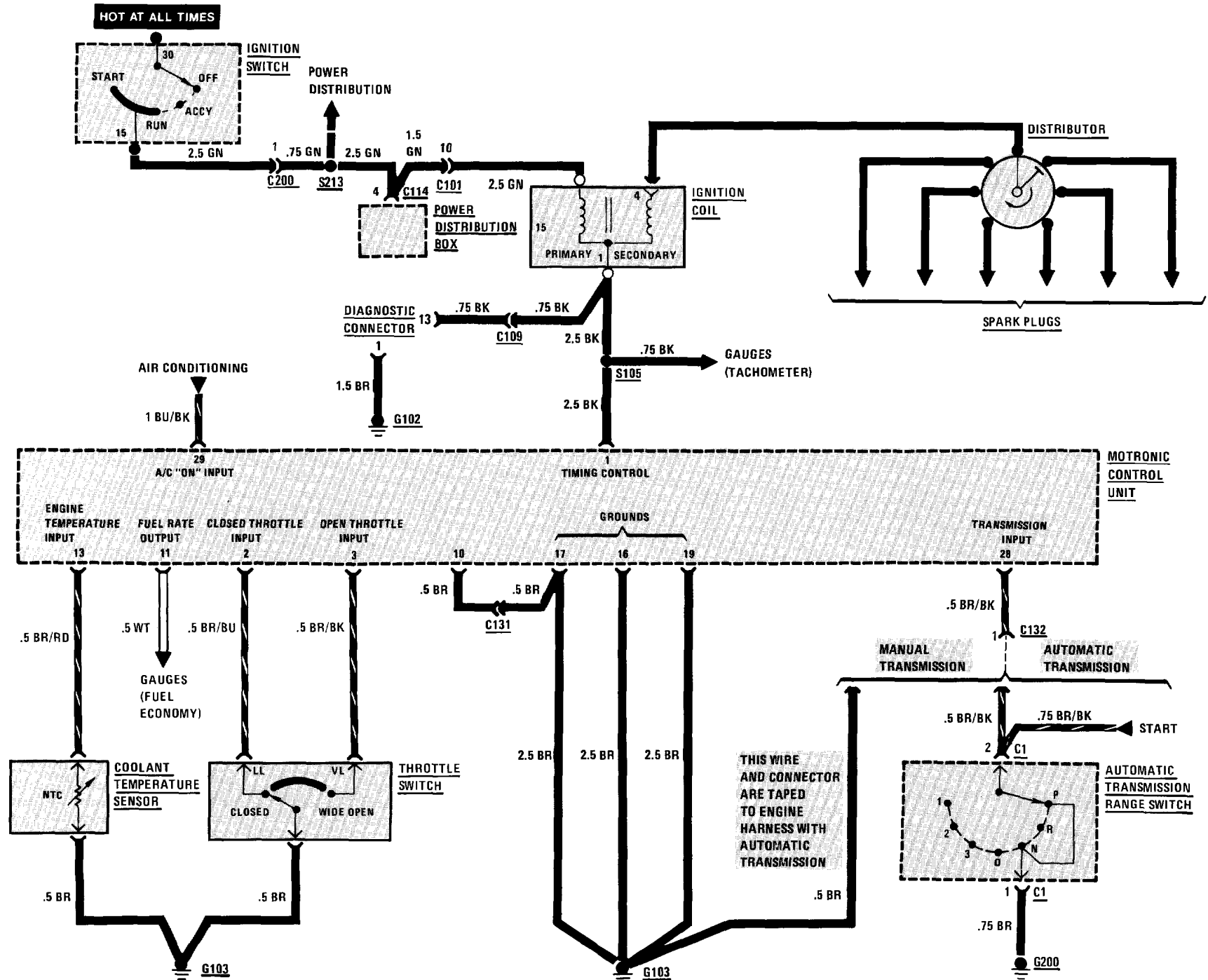


122 FUEL CONTROL

(For Component Locations See Page 205)

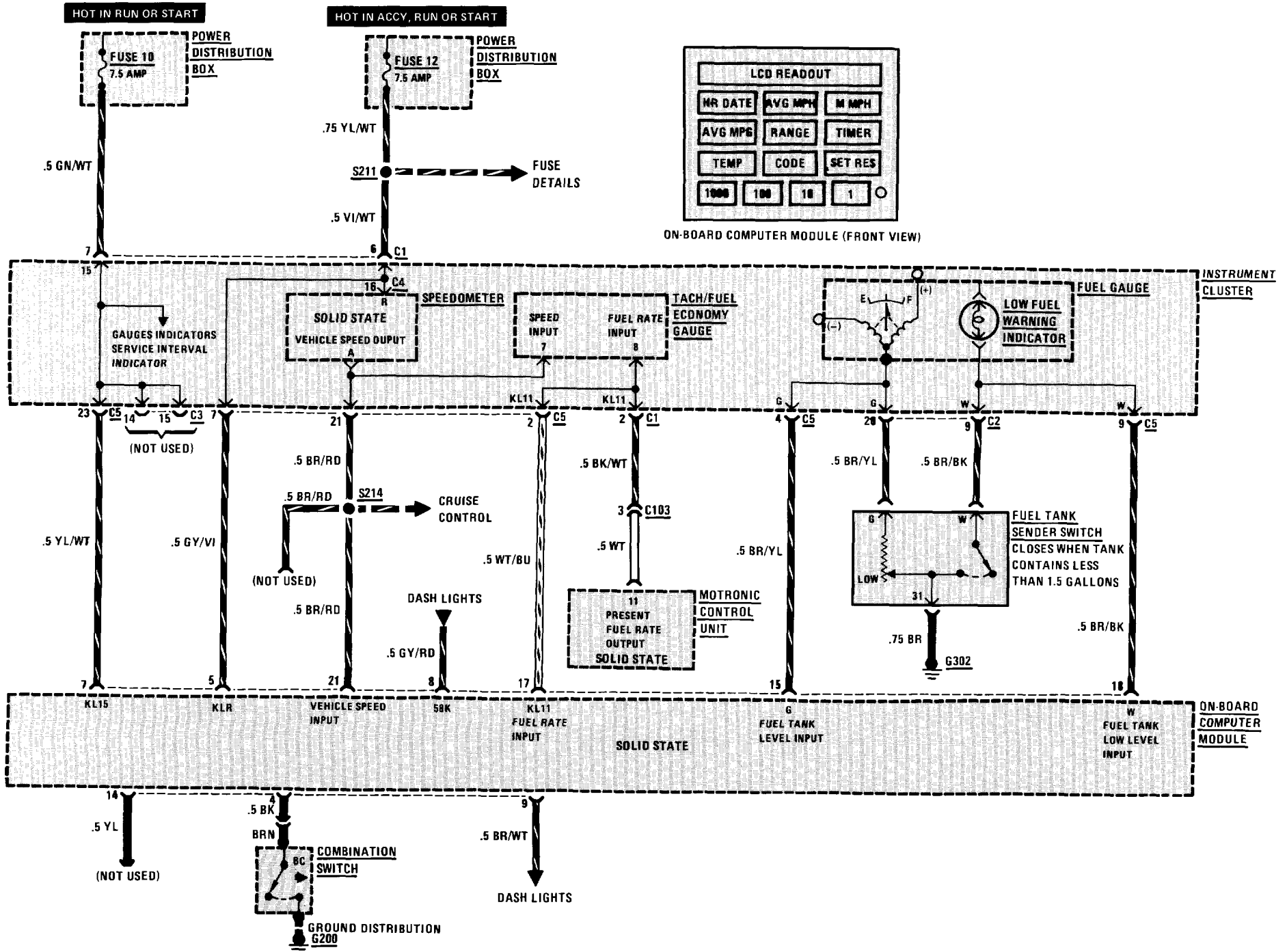


(For Component Locations See Page 206)

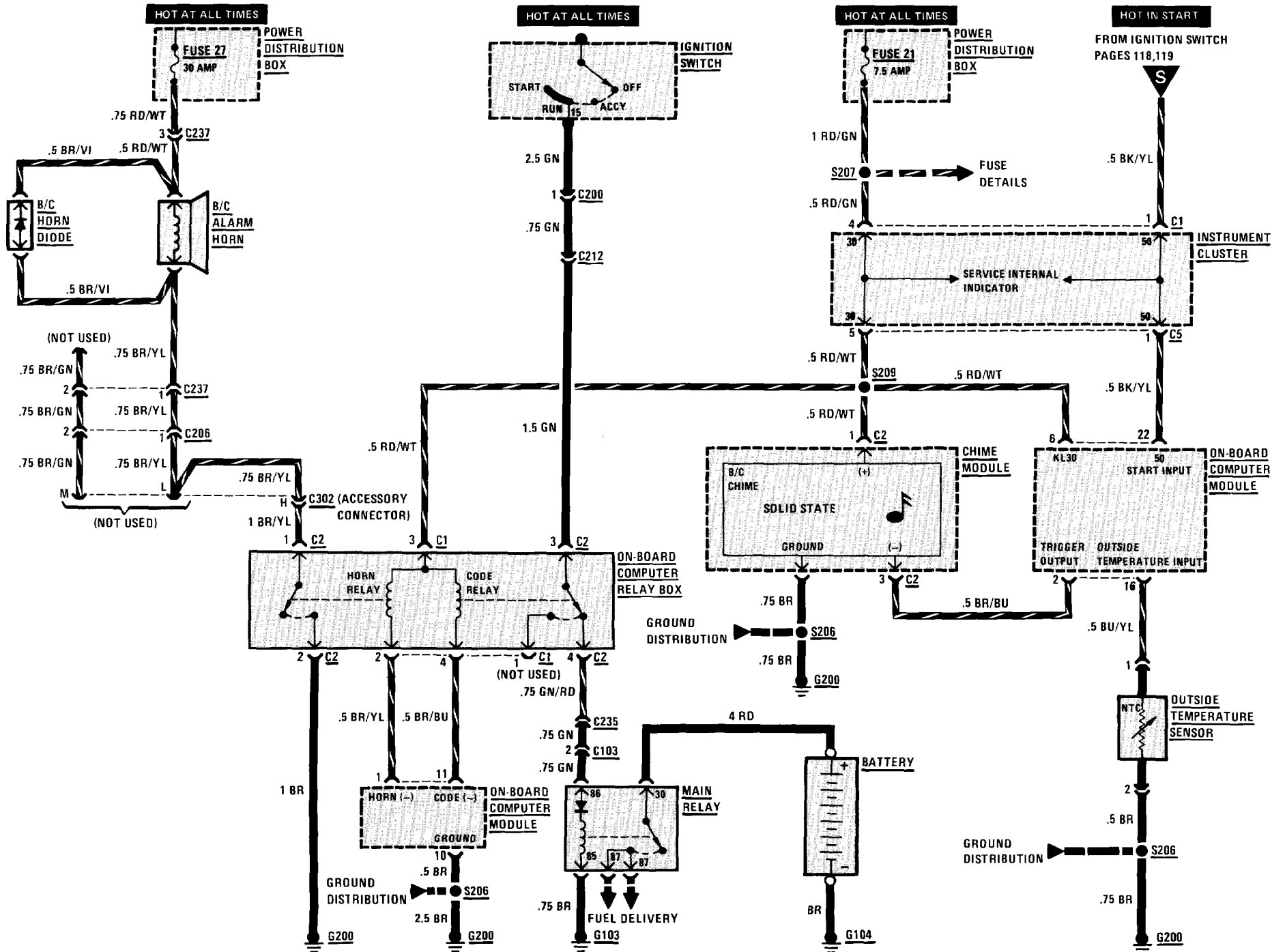


124 ON-BOARD COMPUTER

(For Component Locations See Page 209)

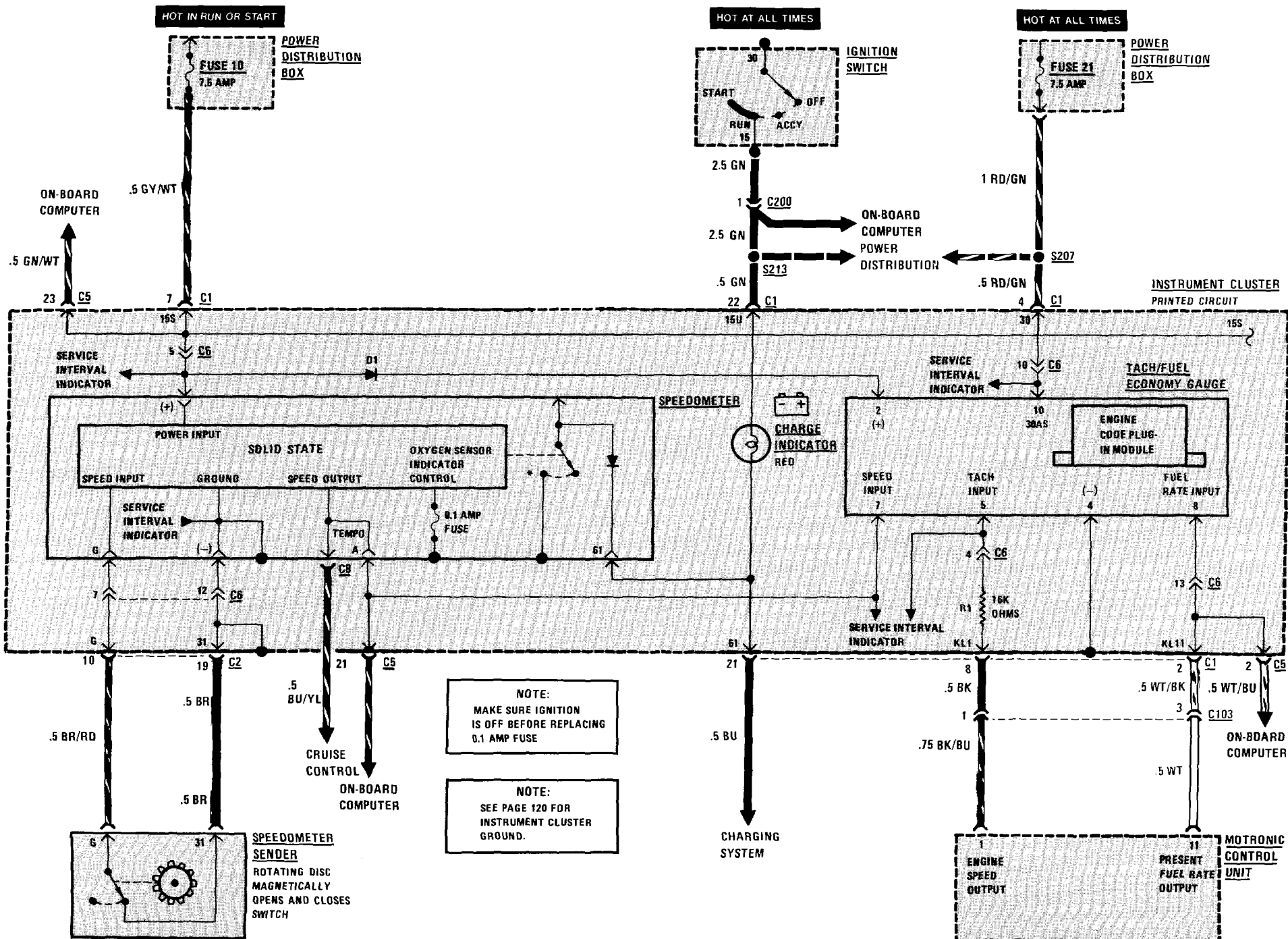


(For Component Locations See Page 209)

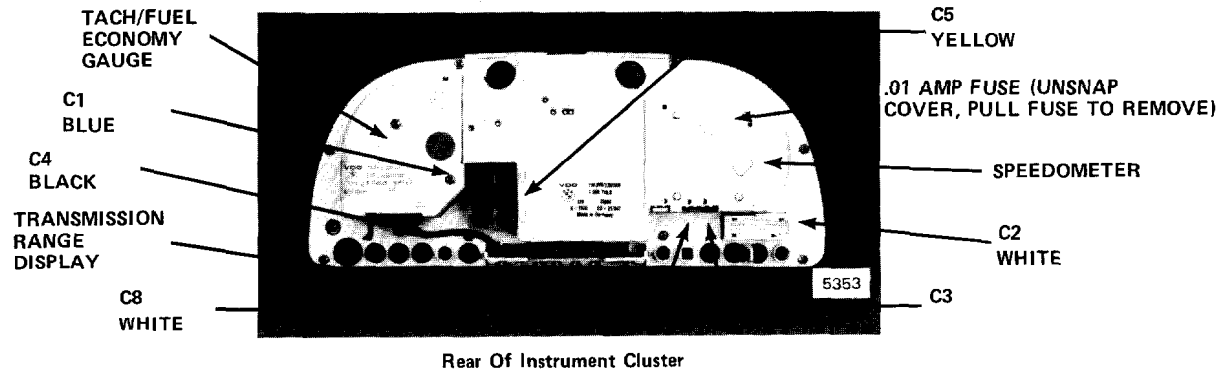


126 SPEEDOMETER/GAUGES/WARNING INDICATORS

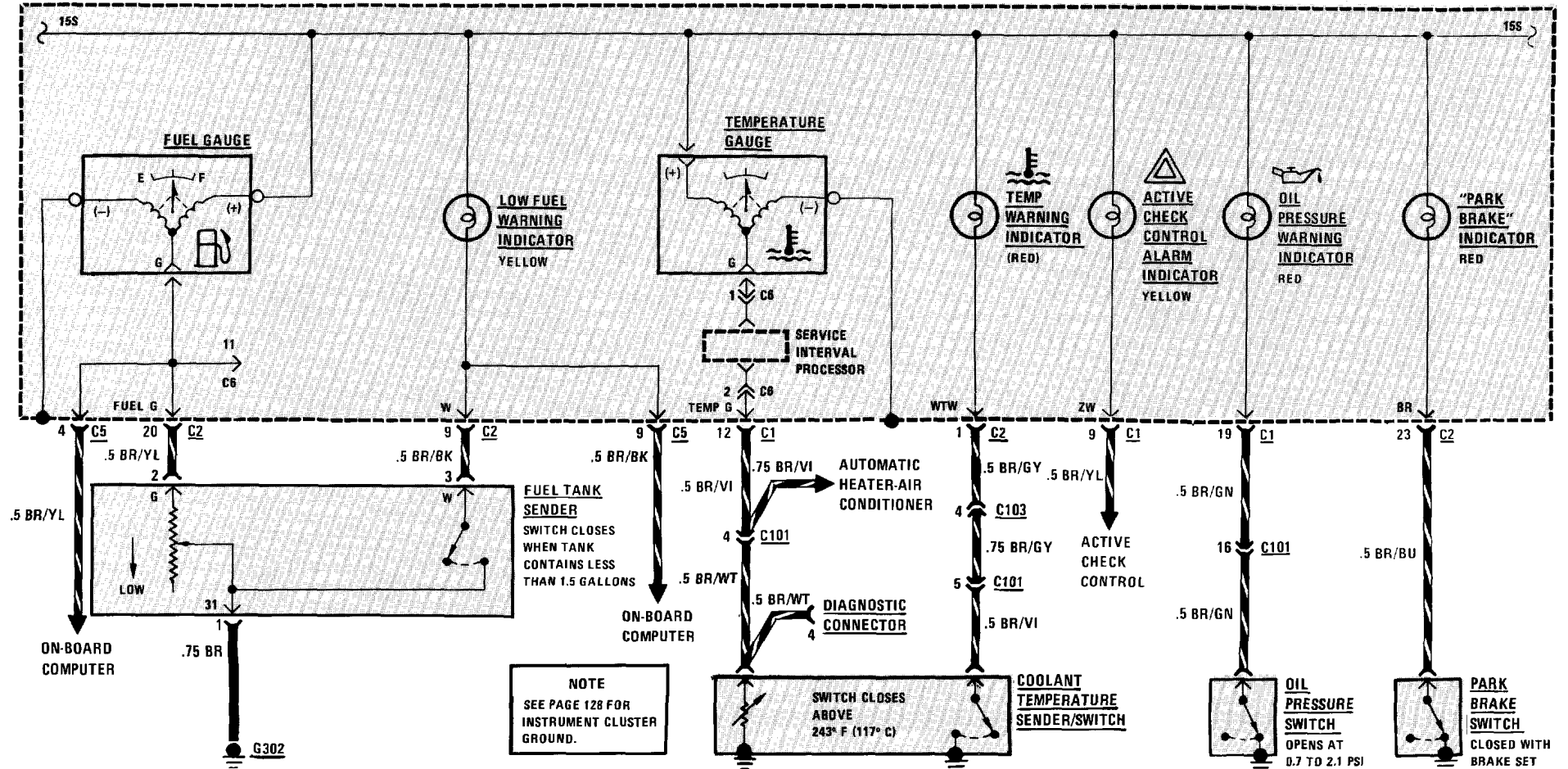
(For Component Locations See Page 212)



(For Component Locations See Page 212)

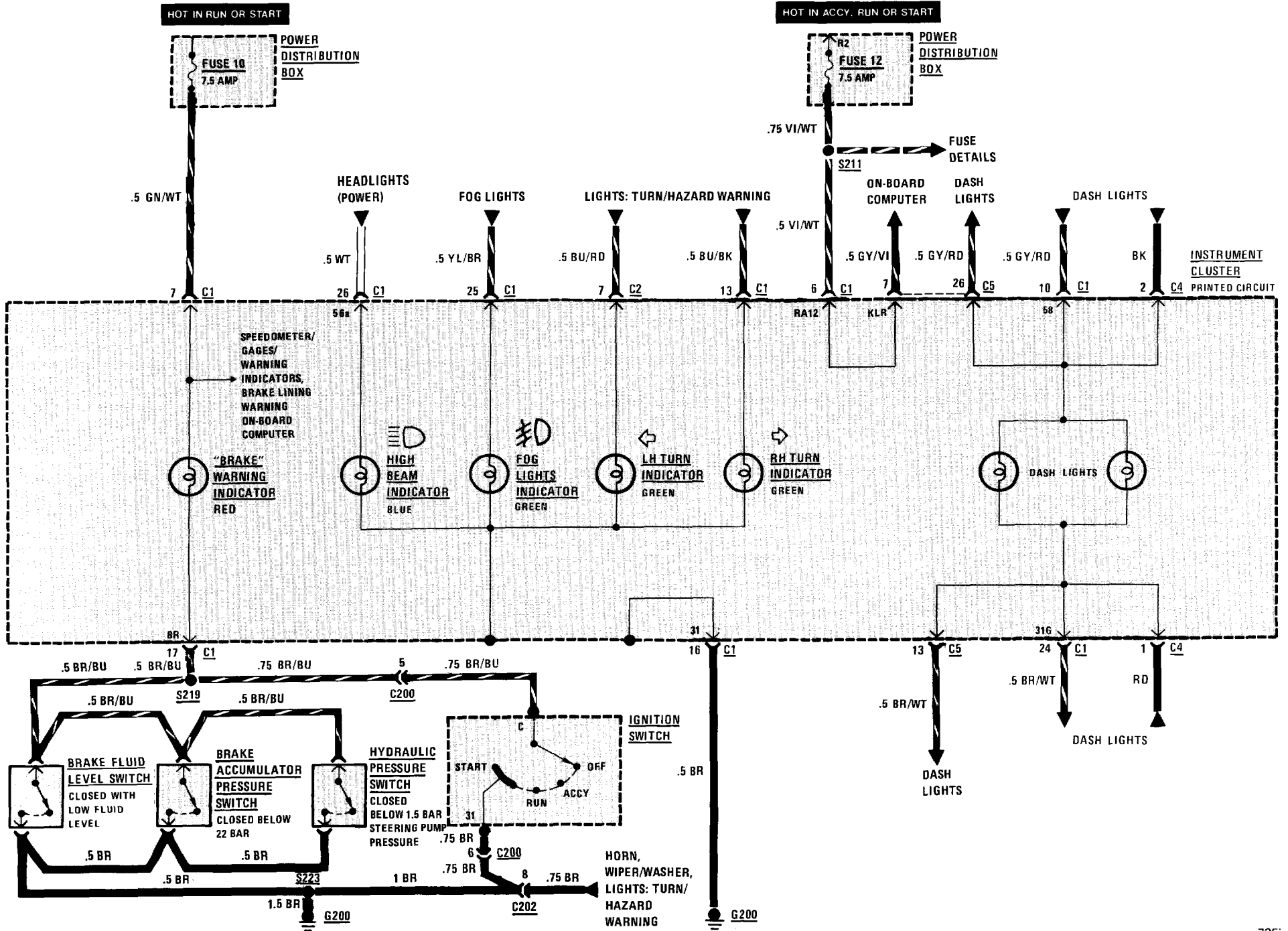


INSTRUMENT CLUSTER
PRINTED CIRCUIT

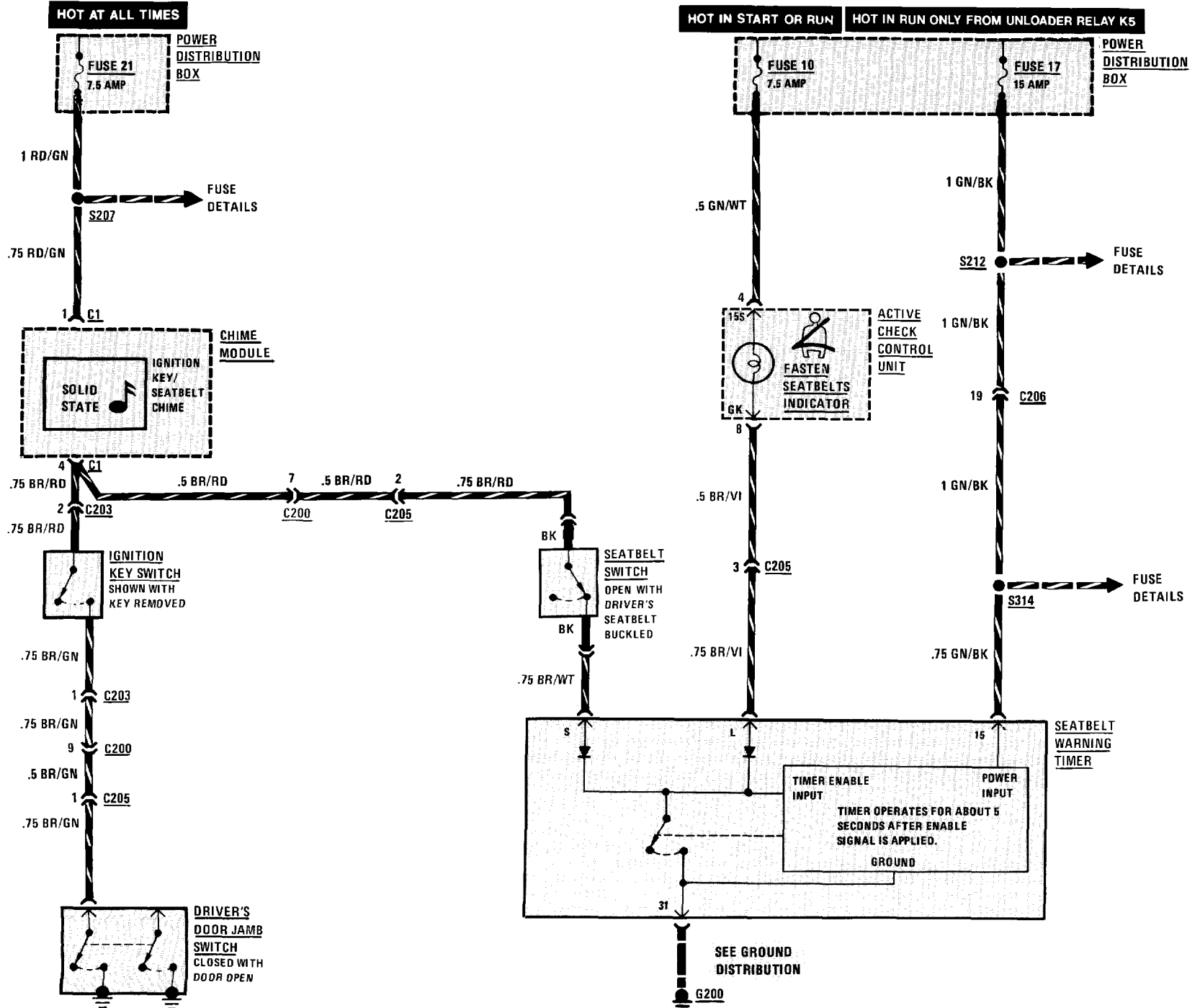


128 WARNING INDICATORS

(For Component Locations See Page 212)

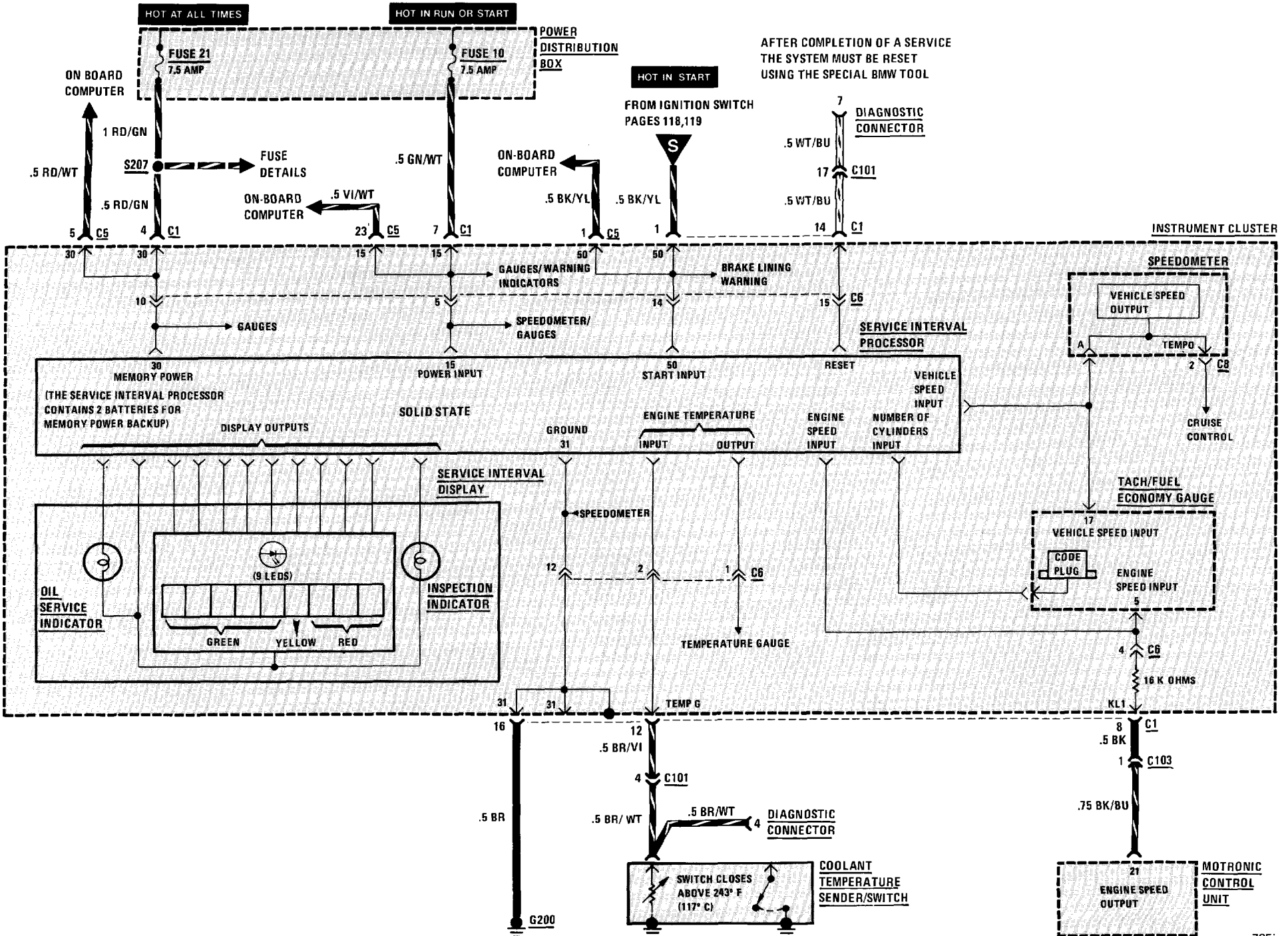


(For Component Locations See Page 207)



130 SERVICE INTERVAL INDICATOR

(For Component Locations See Page 211)



ACTIVE CHECK CONTROL

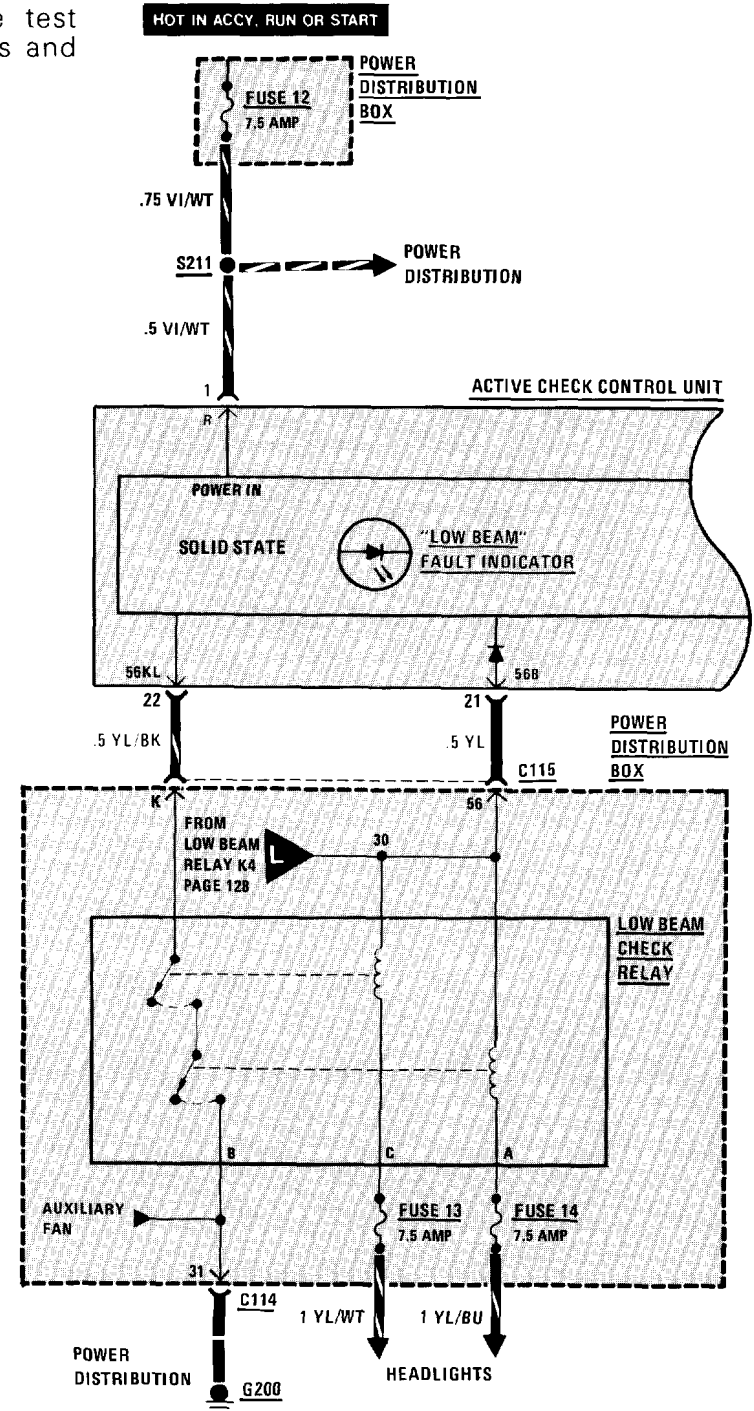
1. When the Ignition Switch is initially placed in "Run," the Active Check Control Arm Indicator flashes, and the Active Check Control Unit Brake Light LED and panel light illuminate for test purposes. Depressing the brake pedal clears the display.
2. When the Ignition Switch is placed in "Run," fault monitoring begins. To monitor the low beams, rear lights, or license lights, those circuits must be on. The brake lights are monitored only while the brake pedal is depressed.
3. When a fault occurs, the alarm indicator flashes, the appropriate LED fault indicator lights, and the panel light goes on for five seconds. Depressing the test button will clear the alarm indicator, but the LED fault indicator remains on.

4. To test the unit, depress the test button. The LED fault indicators and the panel lights should go on.



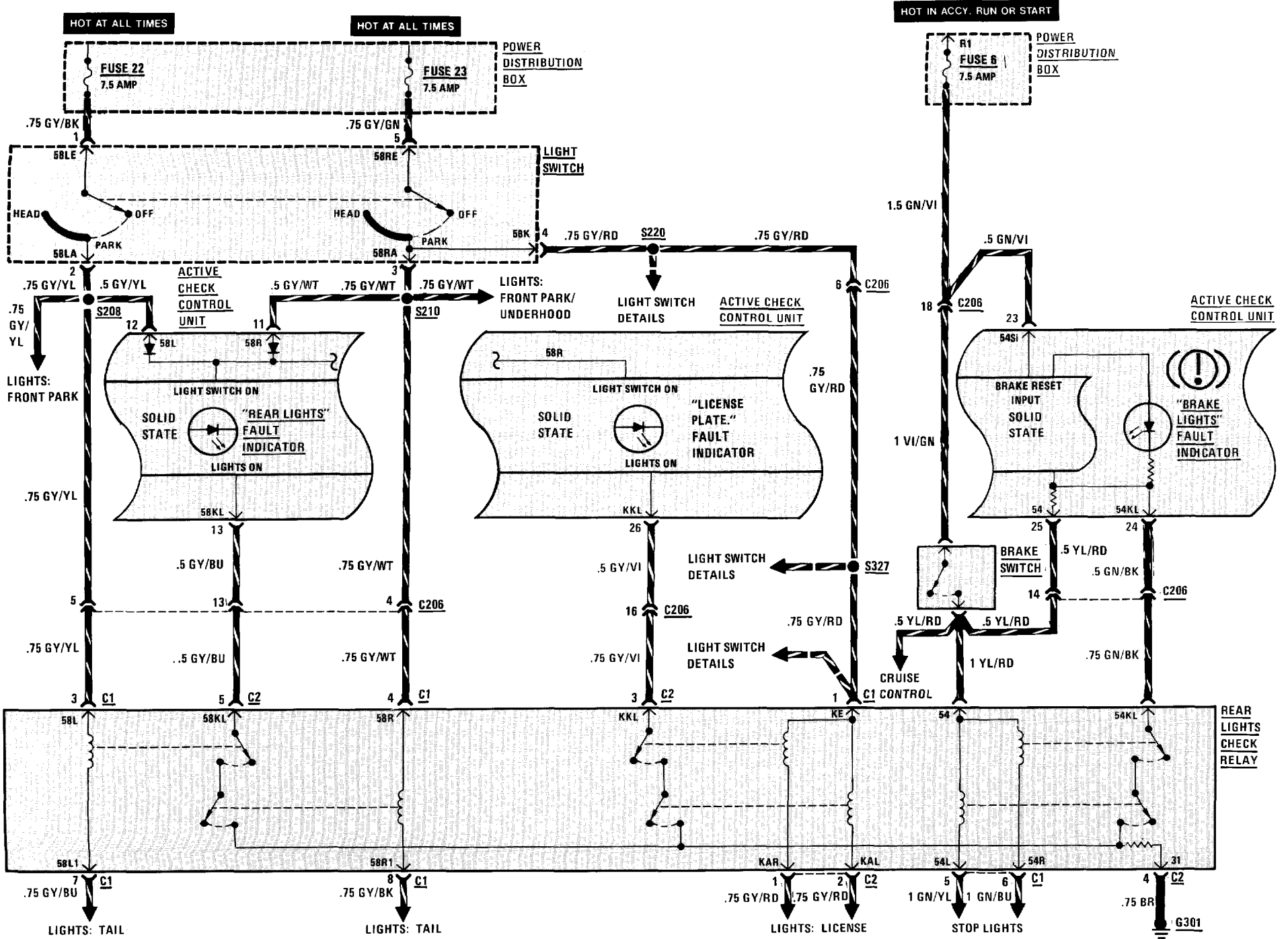
Figure 1 - Active Check Control Unit (Dash, Left Of Steering Column)

(For Component Locations See Page 201)

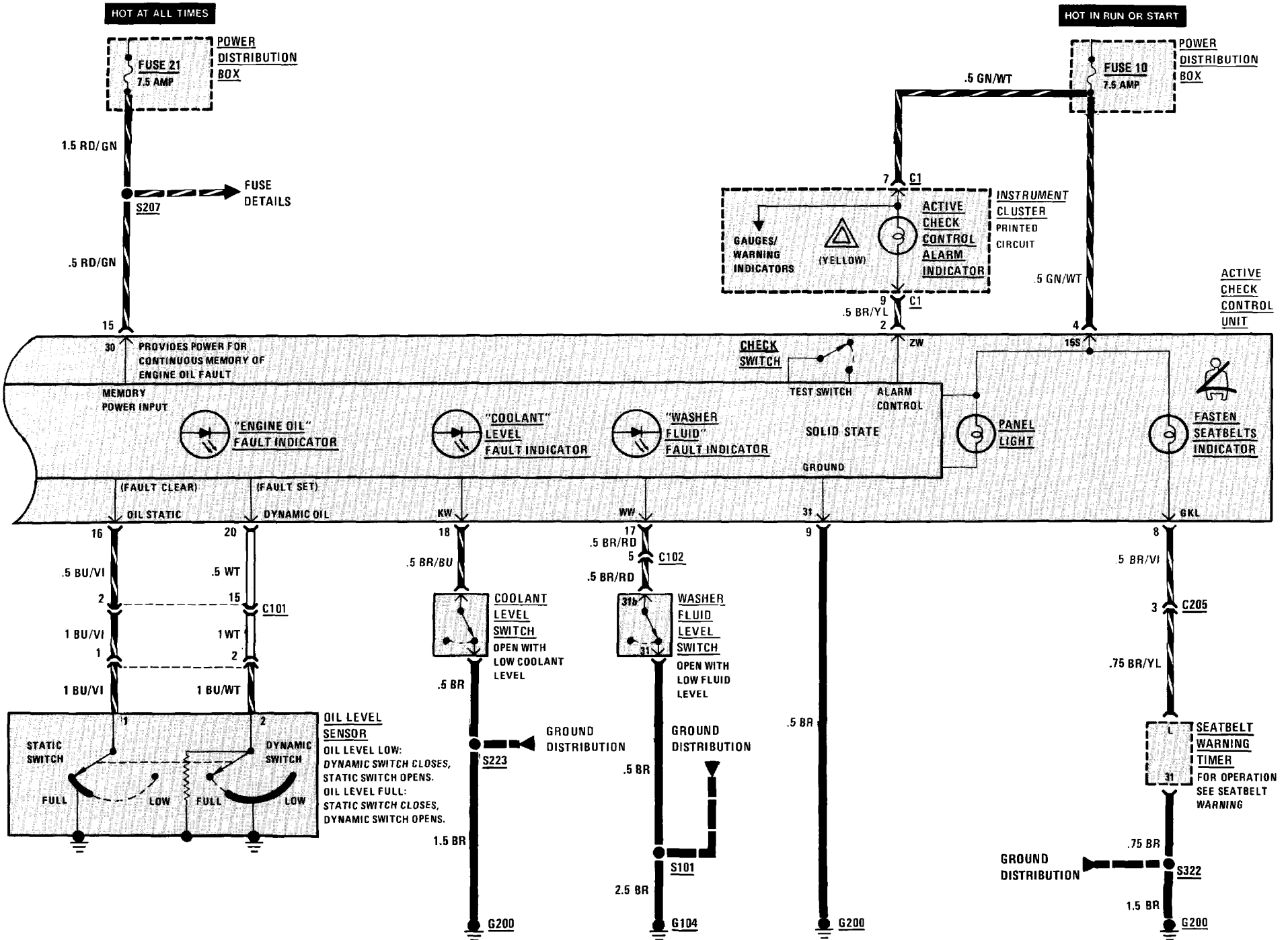


132 ACTIVE CHECK CONTROL

(For Component Locations See Page 201)

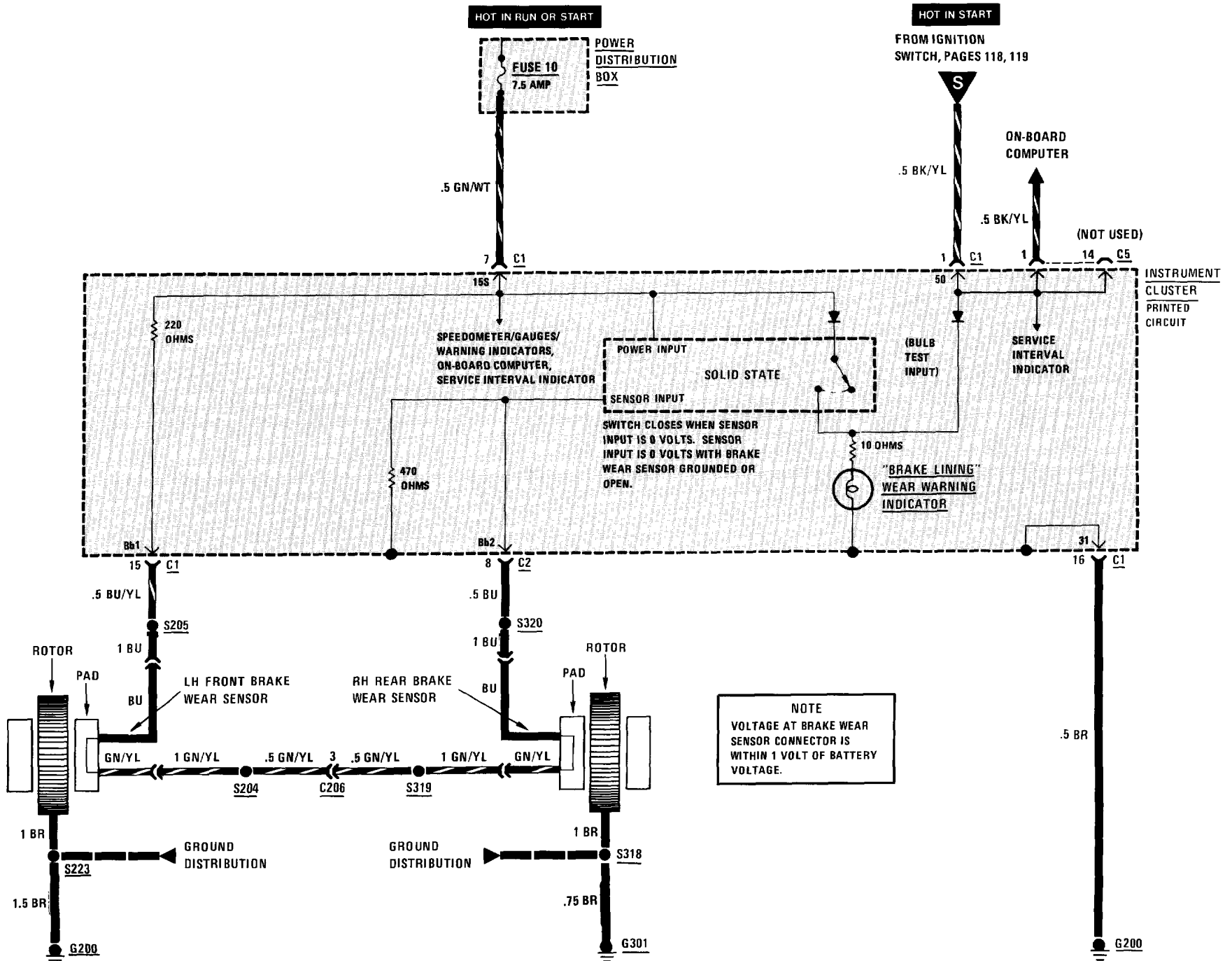


(For Component Locations See Page 201)

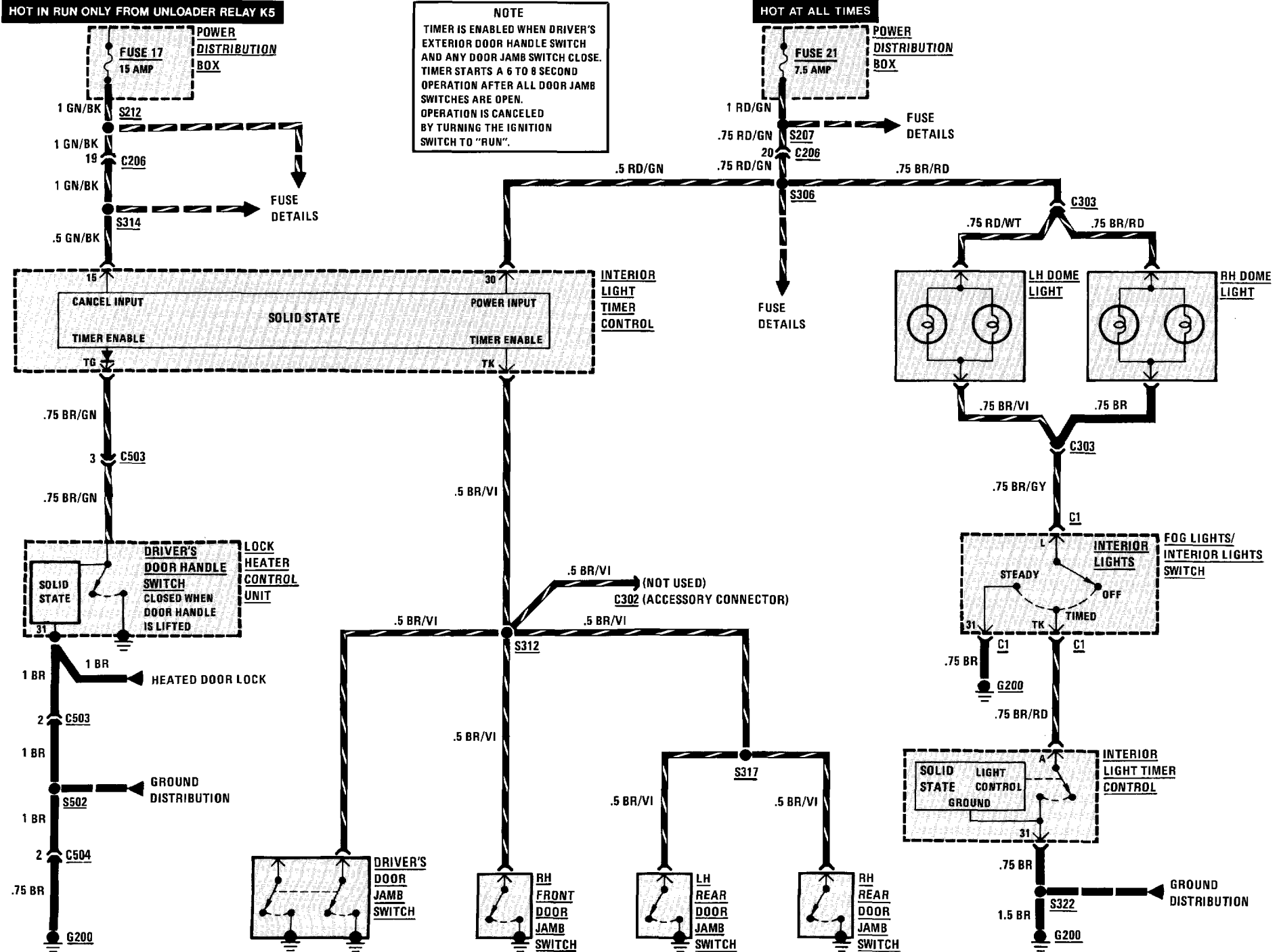


134 BRAKE LINING WARNING

(For Component Locations See Page 203)

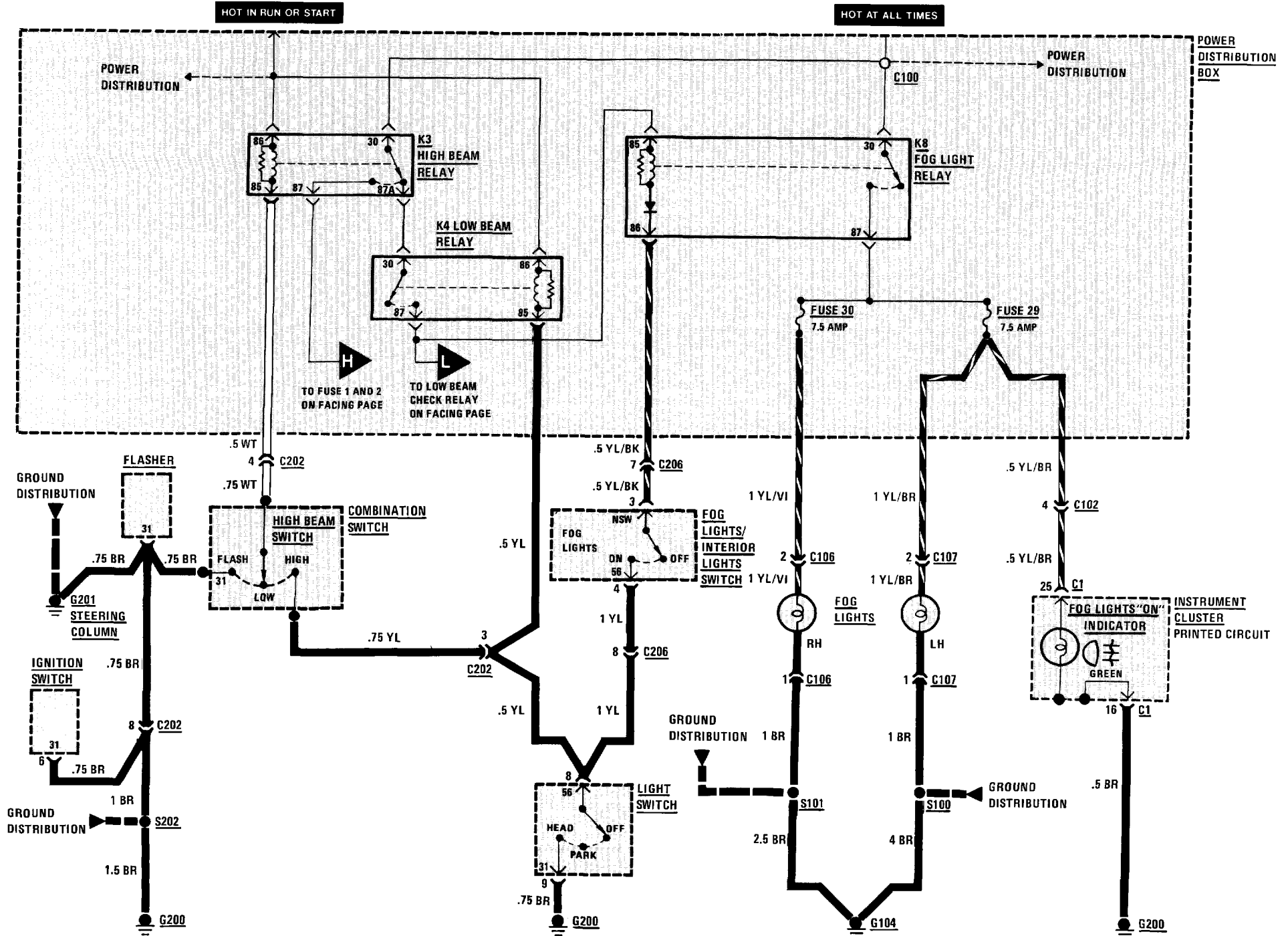


(For Component Locations See Page 207)

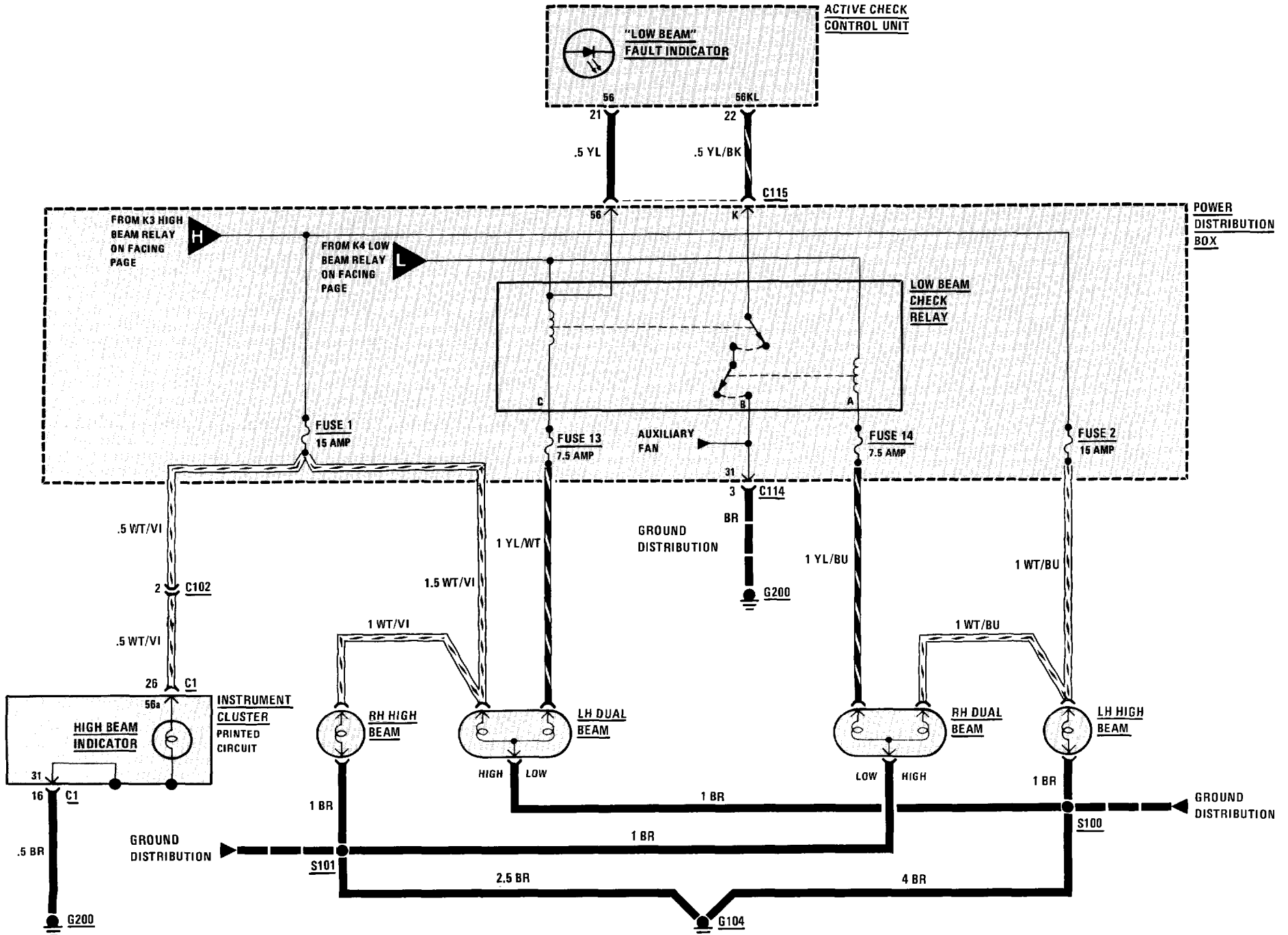


136 HEADLIGHTS (CONTROL)/FOG LIGHTS

(For Component Locations See Page 206)

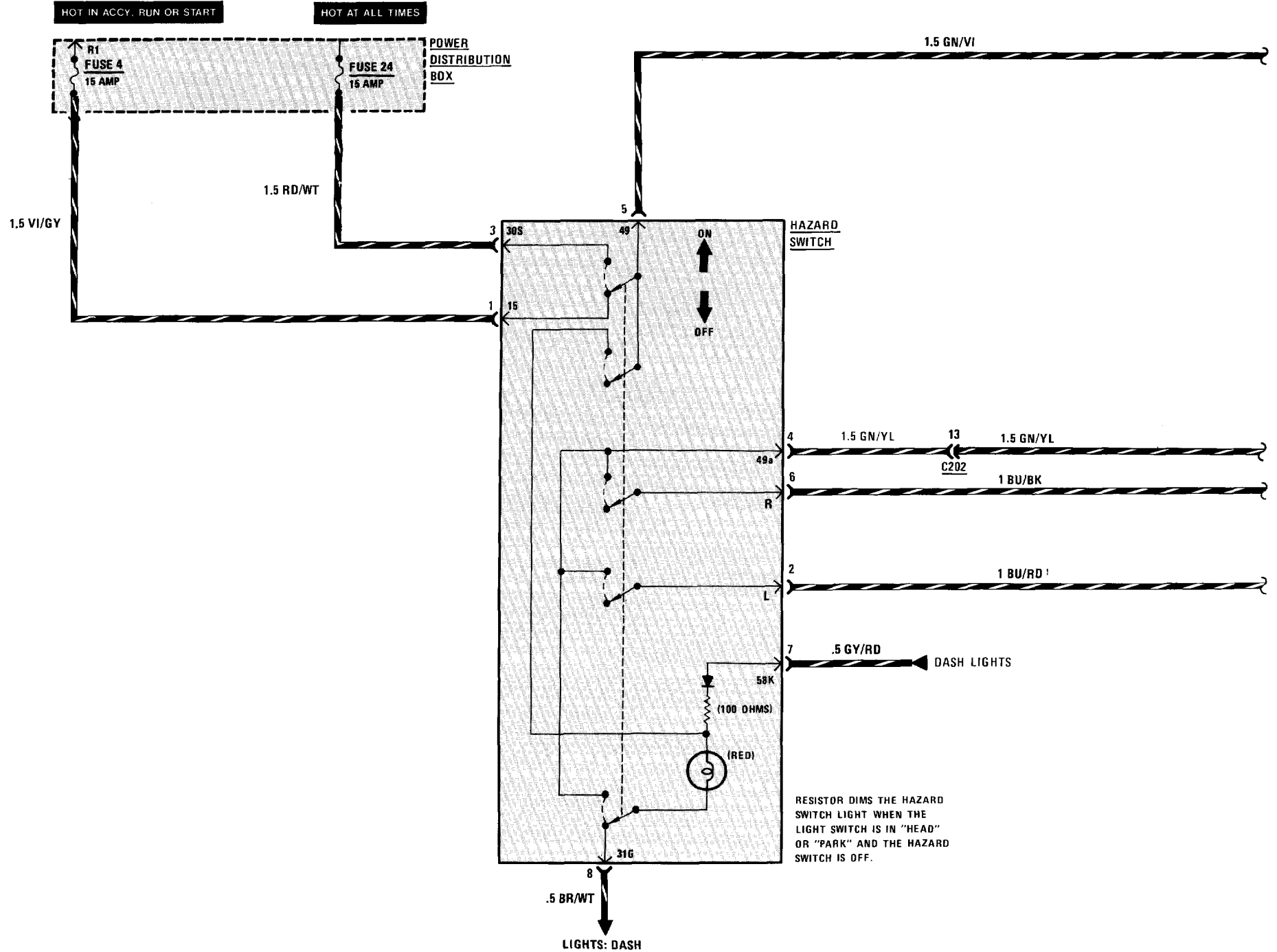


(For Component Locations See Page 206)

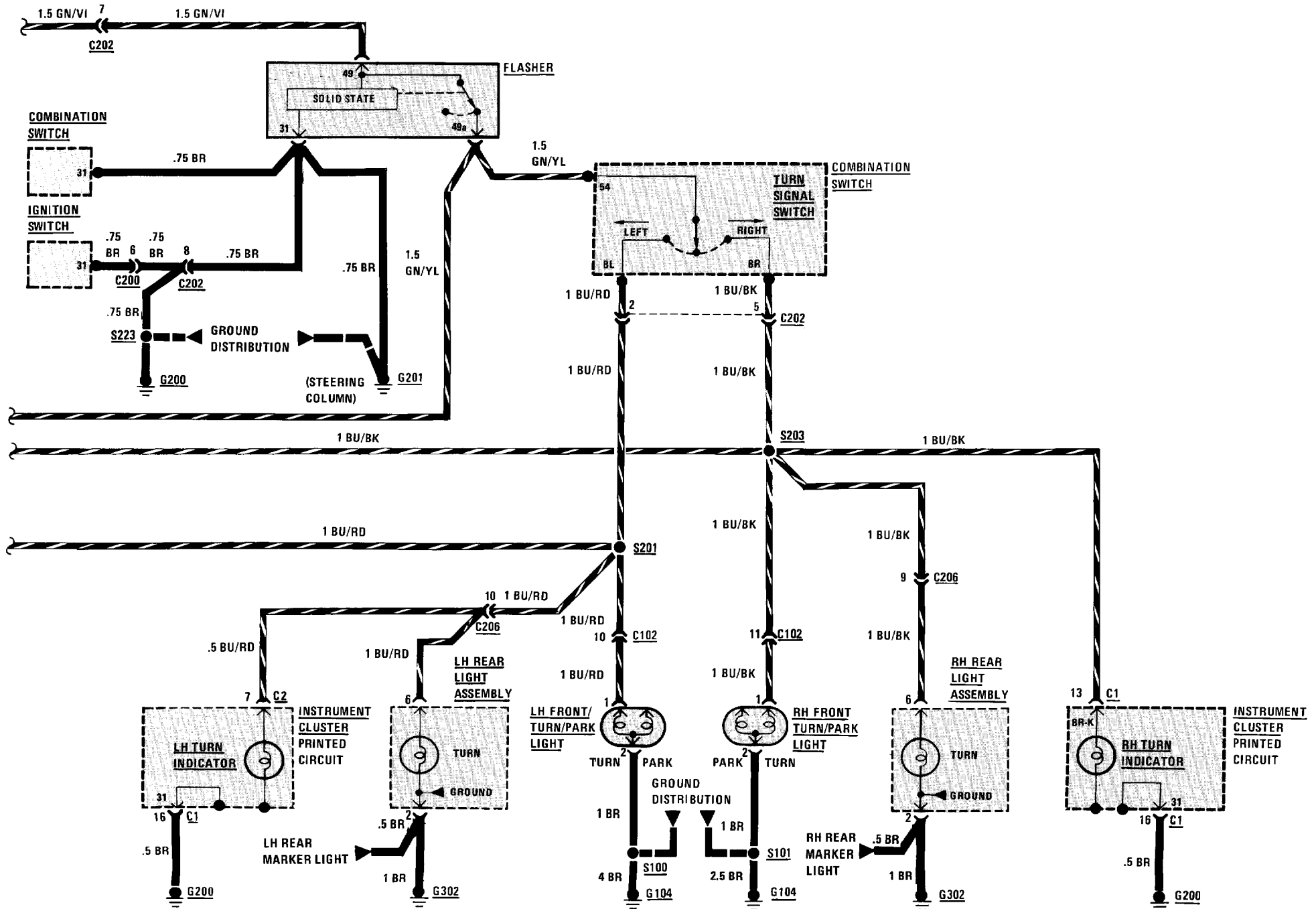


138 LIGHTS: TURN/HAZARD WARNING

(For Component Locations See Page 209)



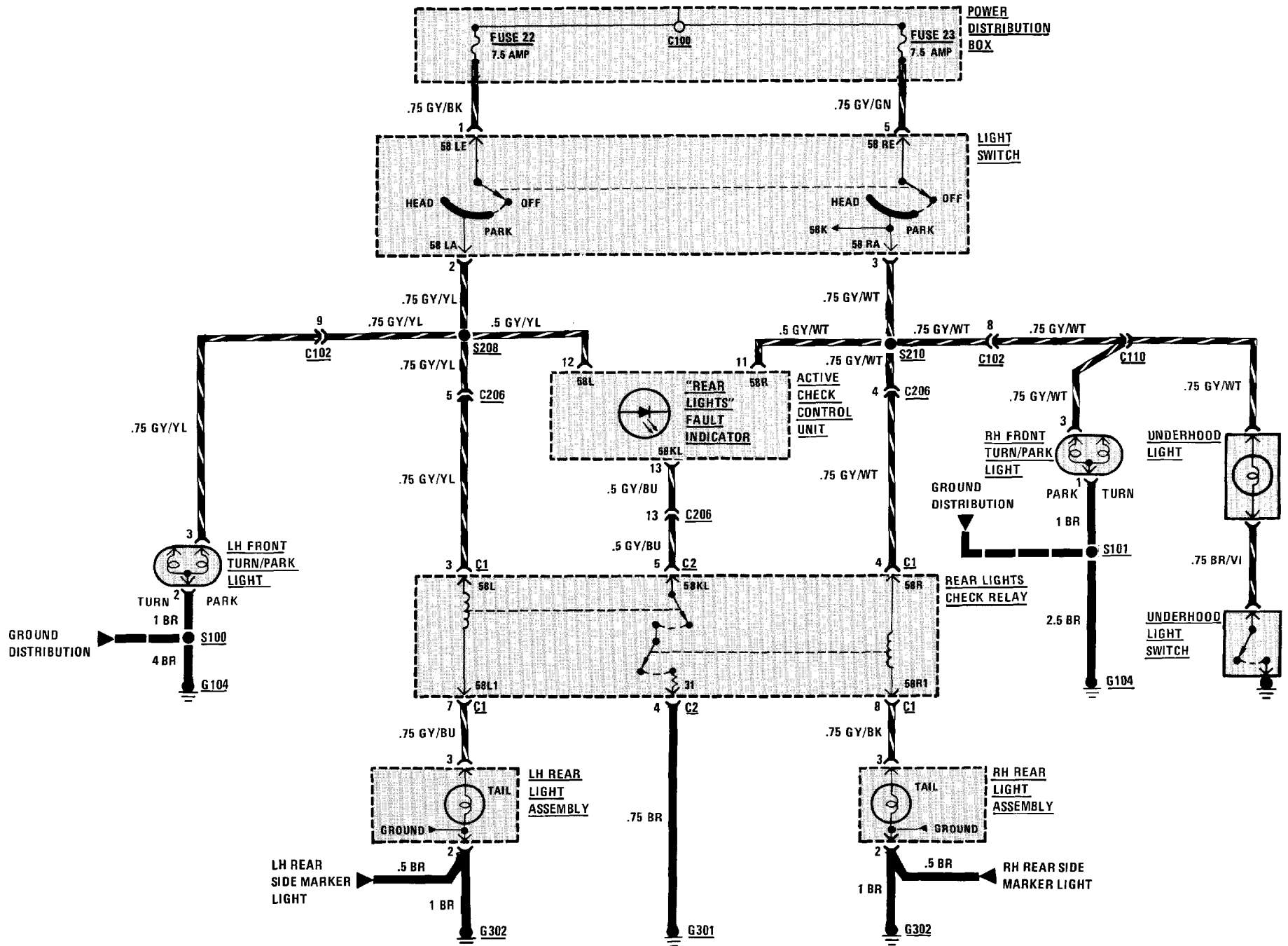
(For Component Locations See Page 209)



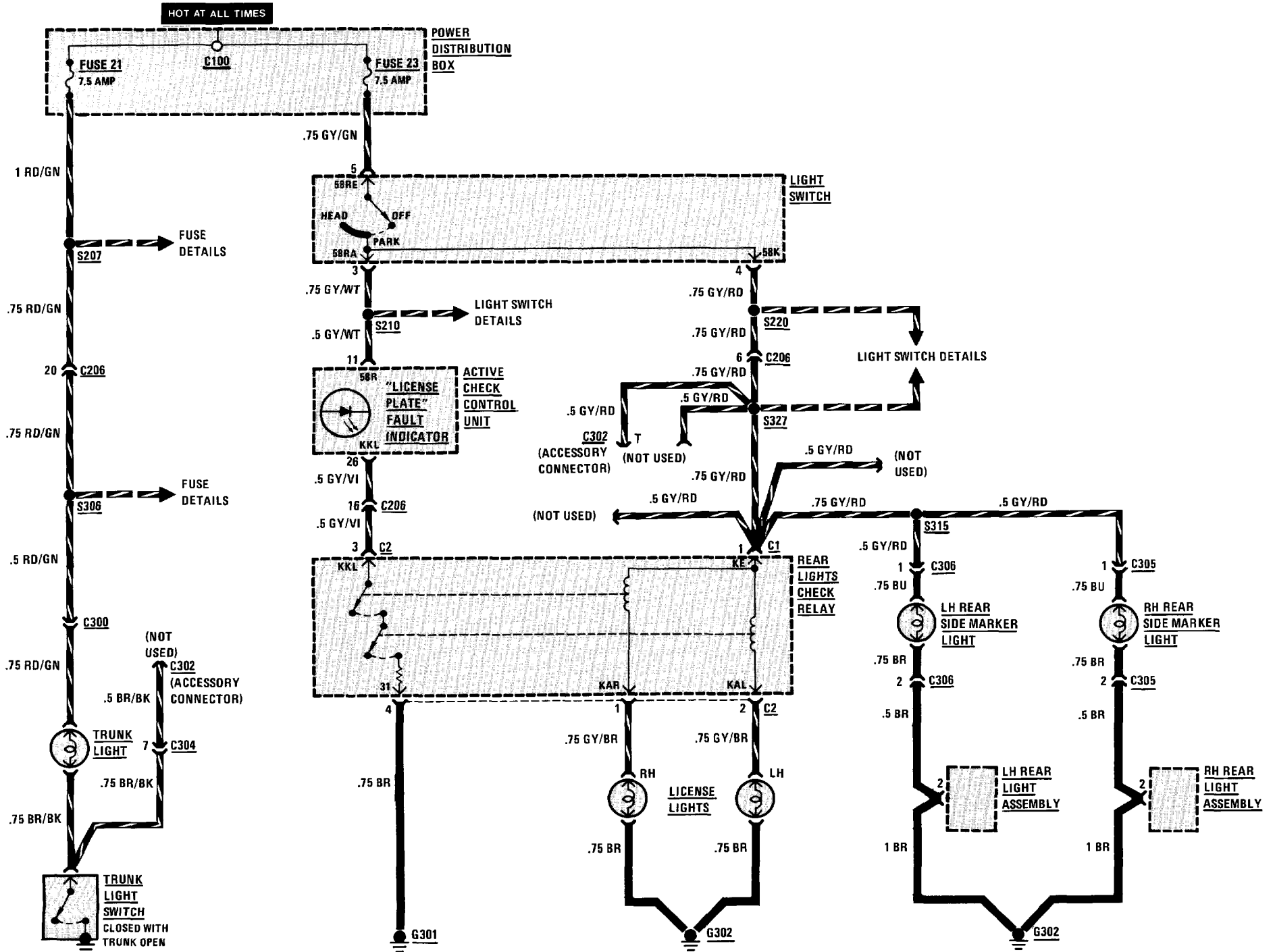
140 LIGHTS: FRONT/PARK/TAIL/UNDERHOOD

(For Component Locations See Page 208)

HOT AT ALL TIMES

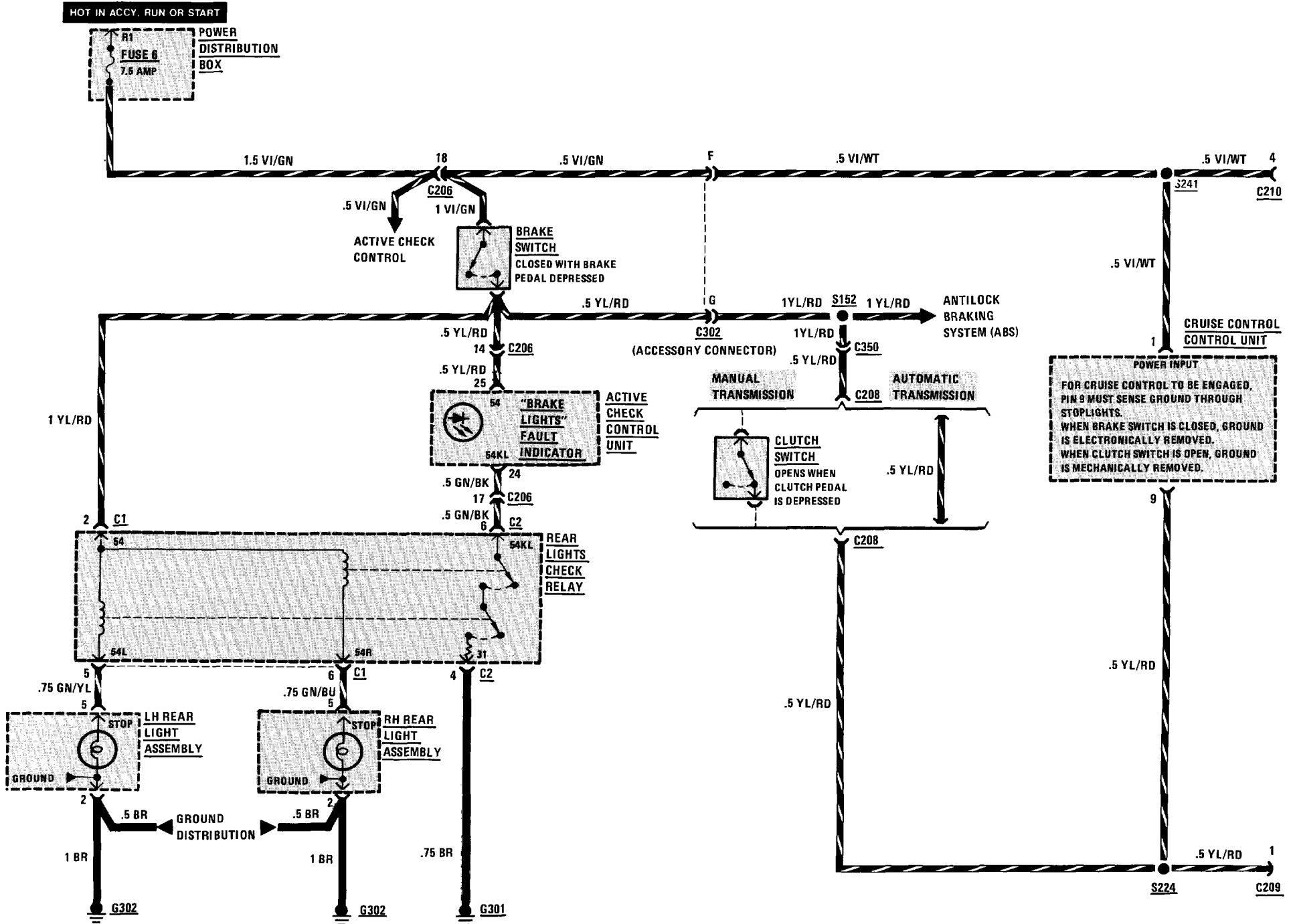


(For Component Locations See Page 208)

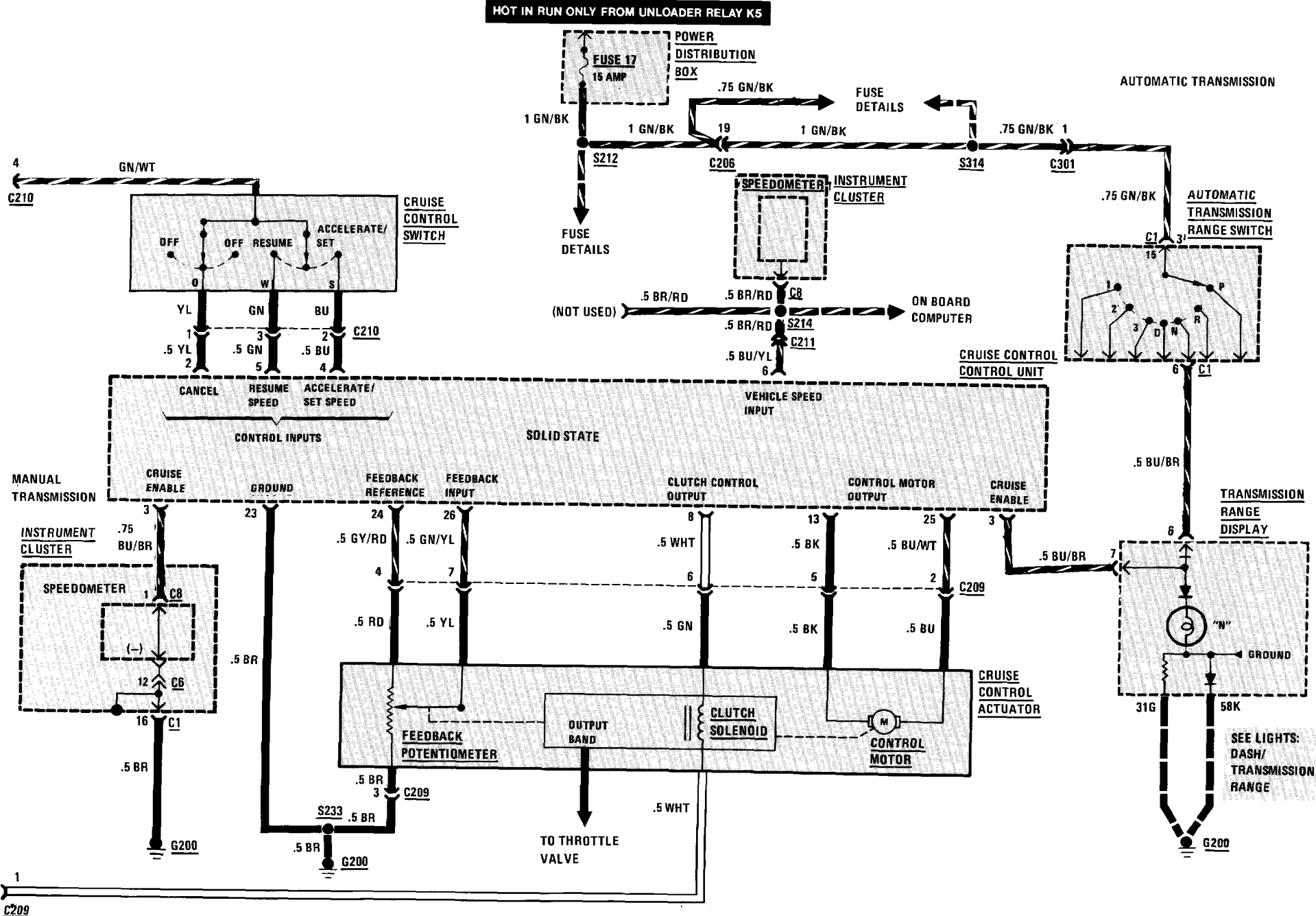


142 STOPLIGHTS/CRUISE CONTROL

(For Component Locations See Page 215)

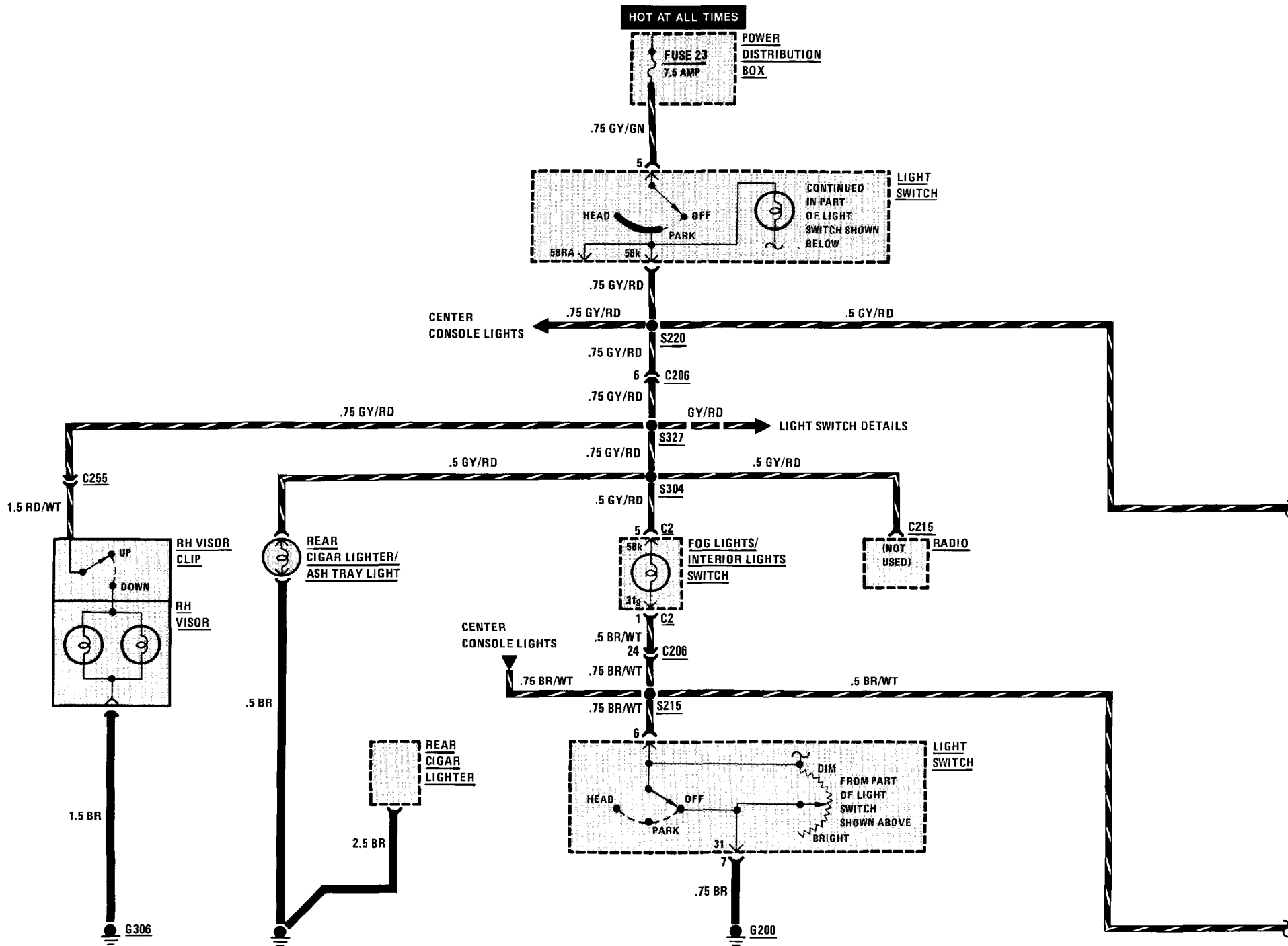


(For Component Locations See Page 215)



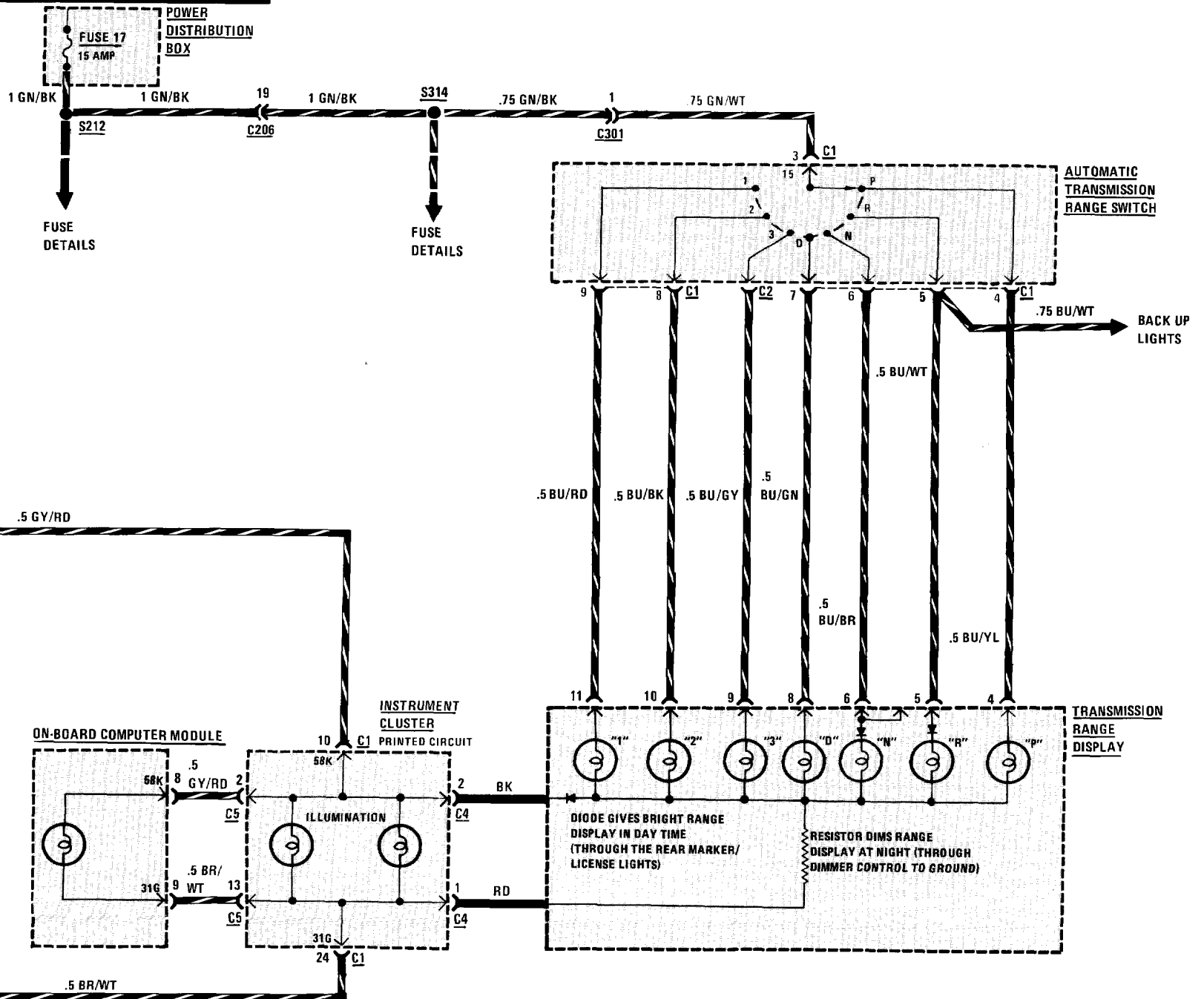
144 LIGHT: RH VISOR/DASH/TRANSMISSION RANGE

(For Component Locations See Page 208)

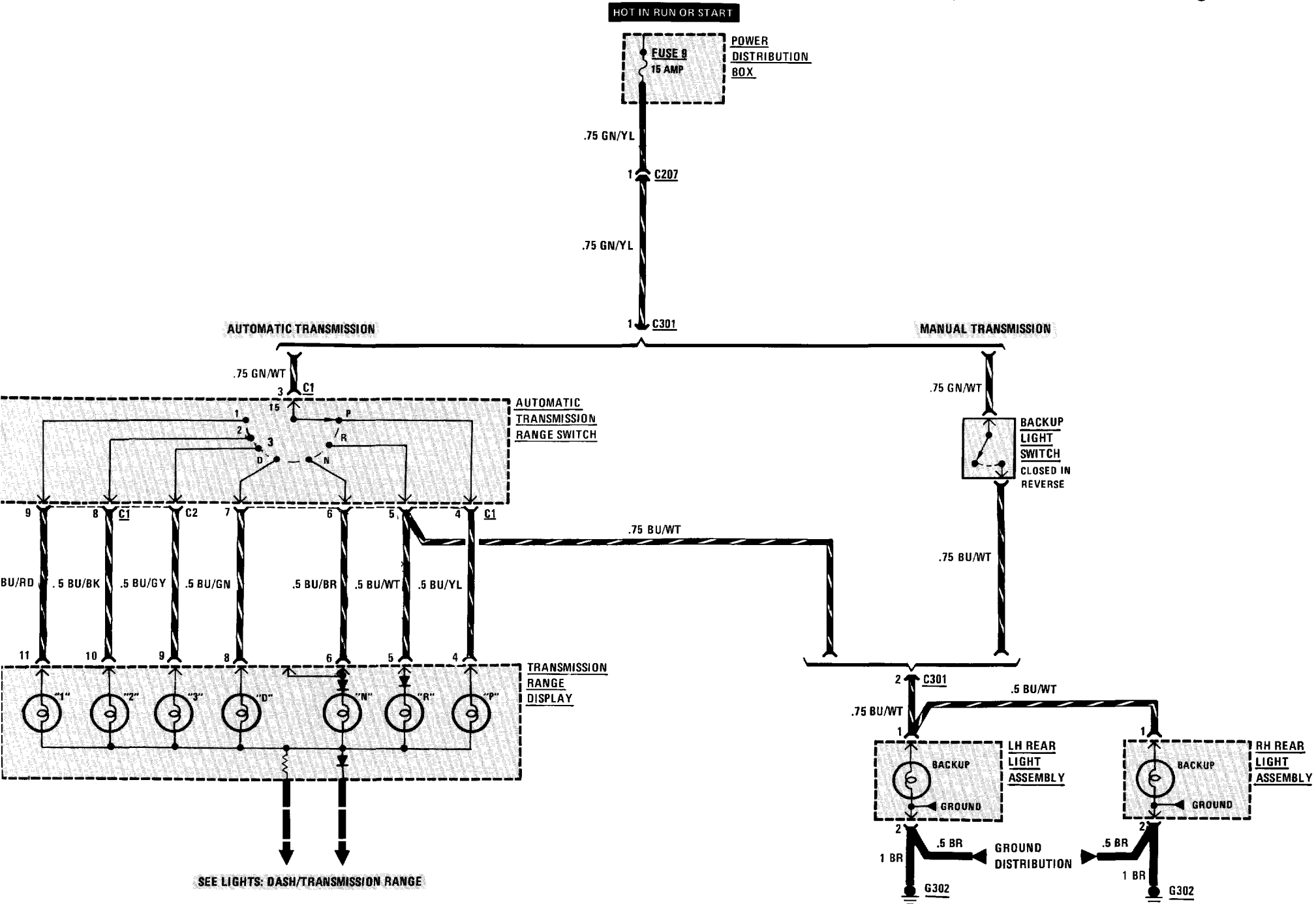


(For Component Locations See Page 208)

HOT IN RUN ONLY FROM UNLOADER RELAY K5

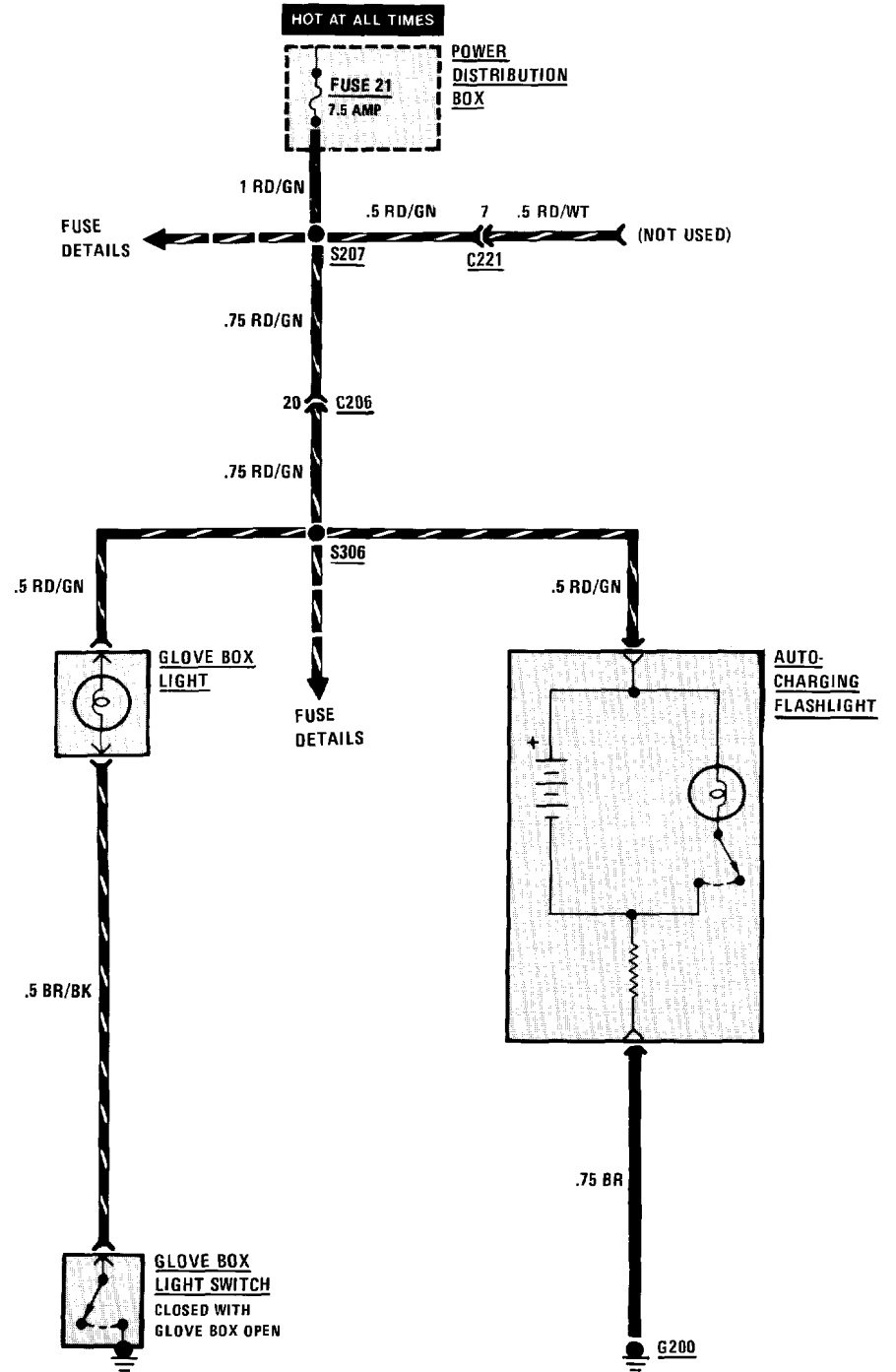
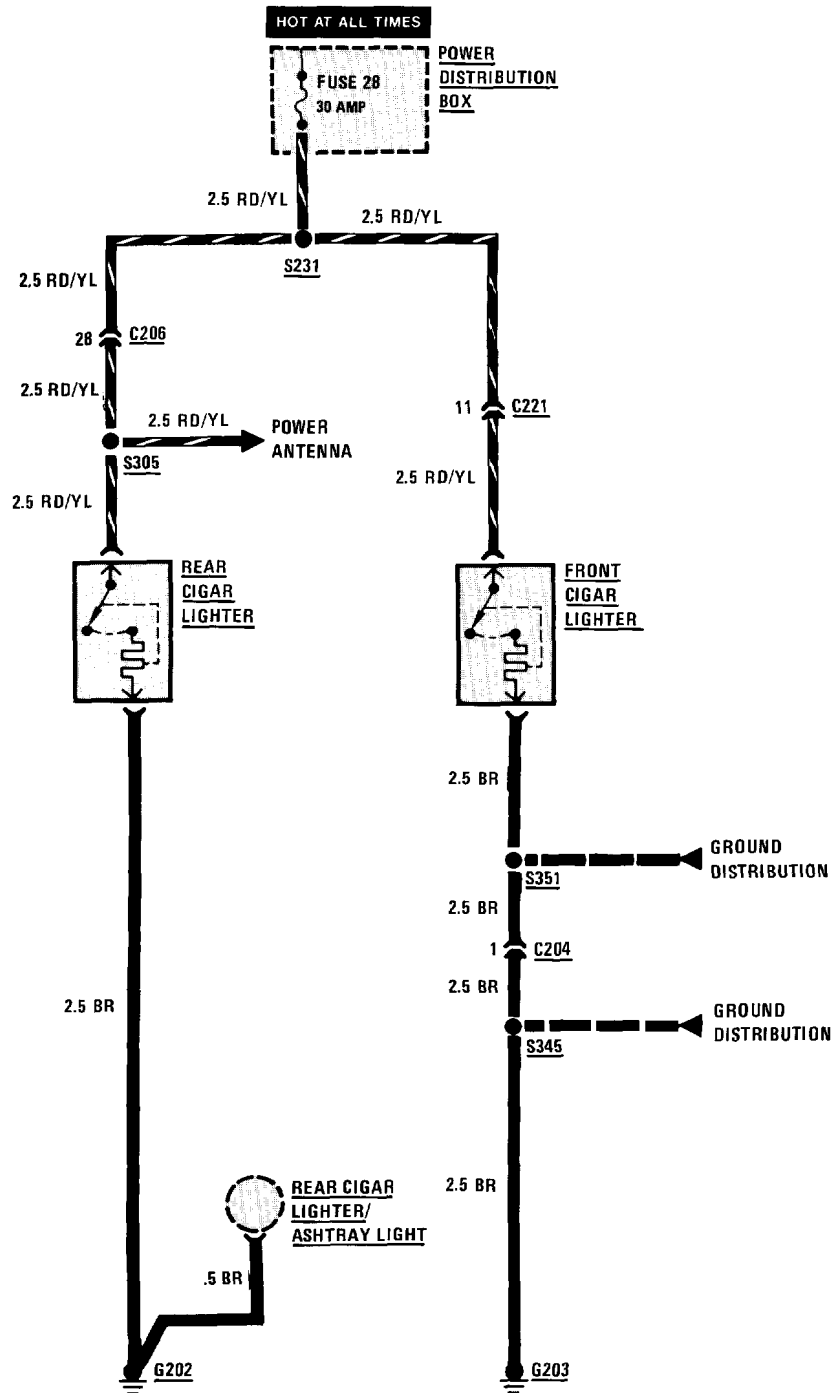


(For Component Locations See Page 203)



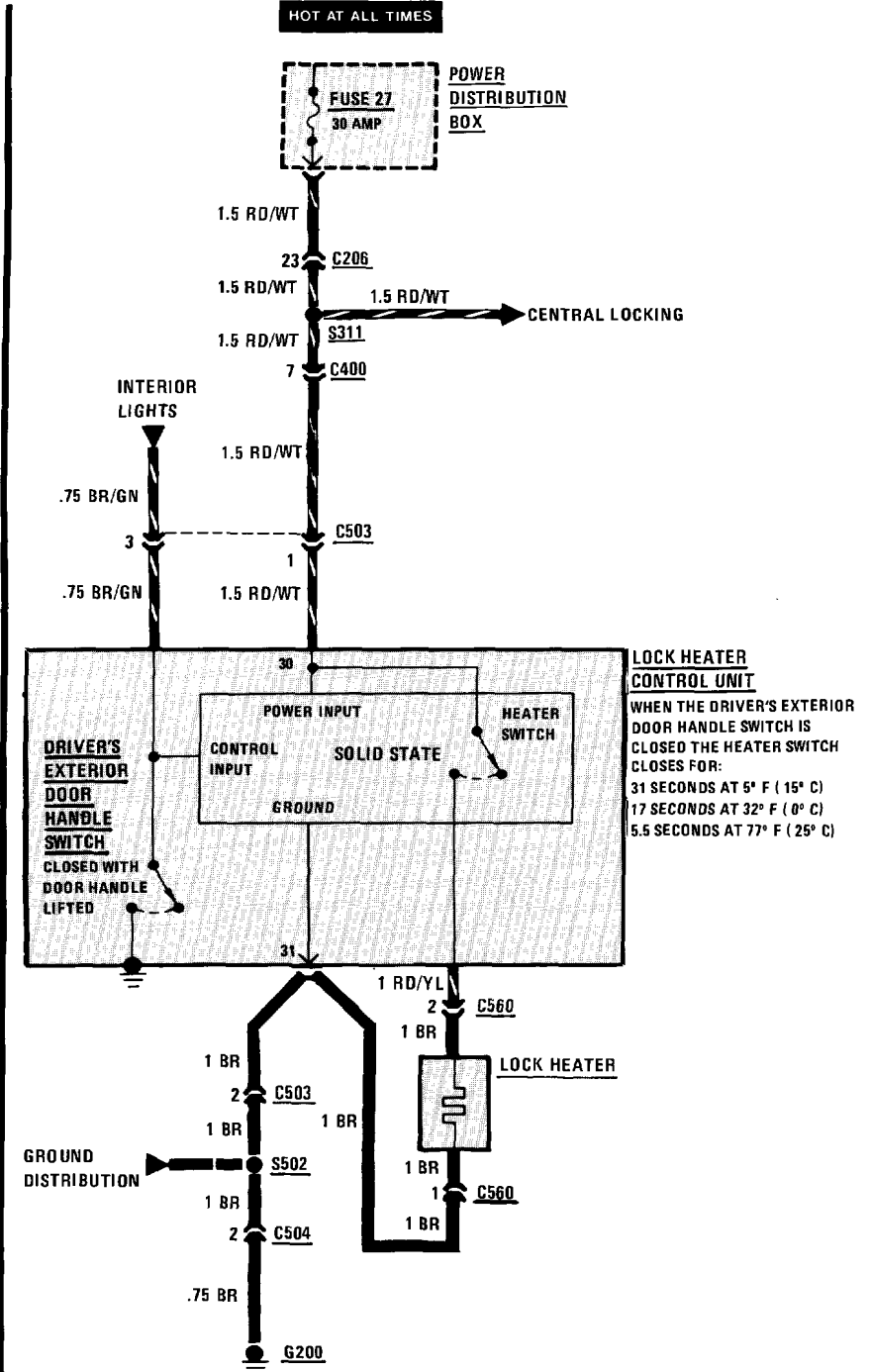
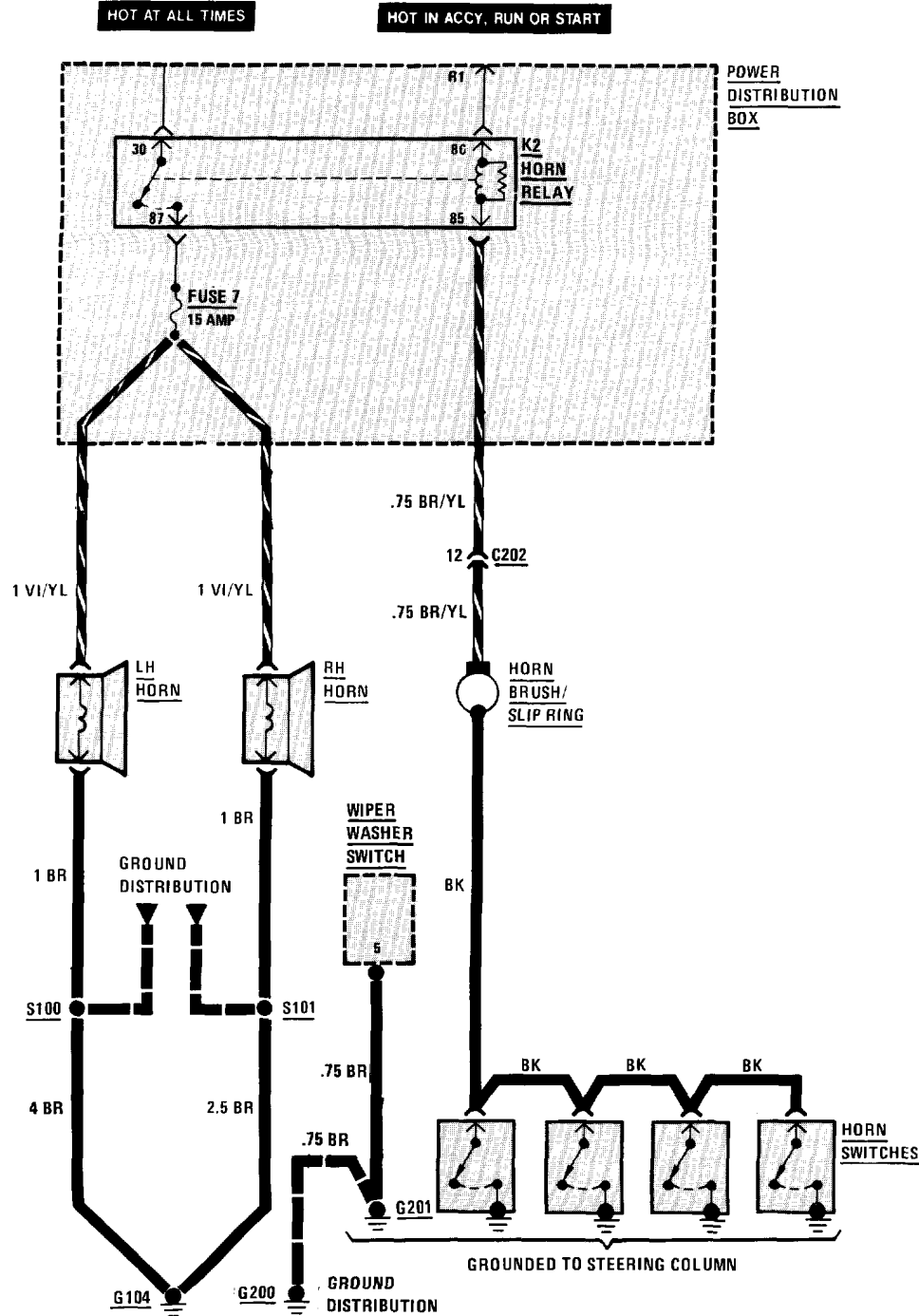
148 CIGAR LIGHTER/GLOVE BOX/AUTO CHARGING FLASHLIGHT

(For Component Locations See Page 204)



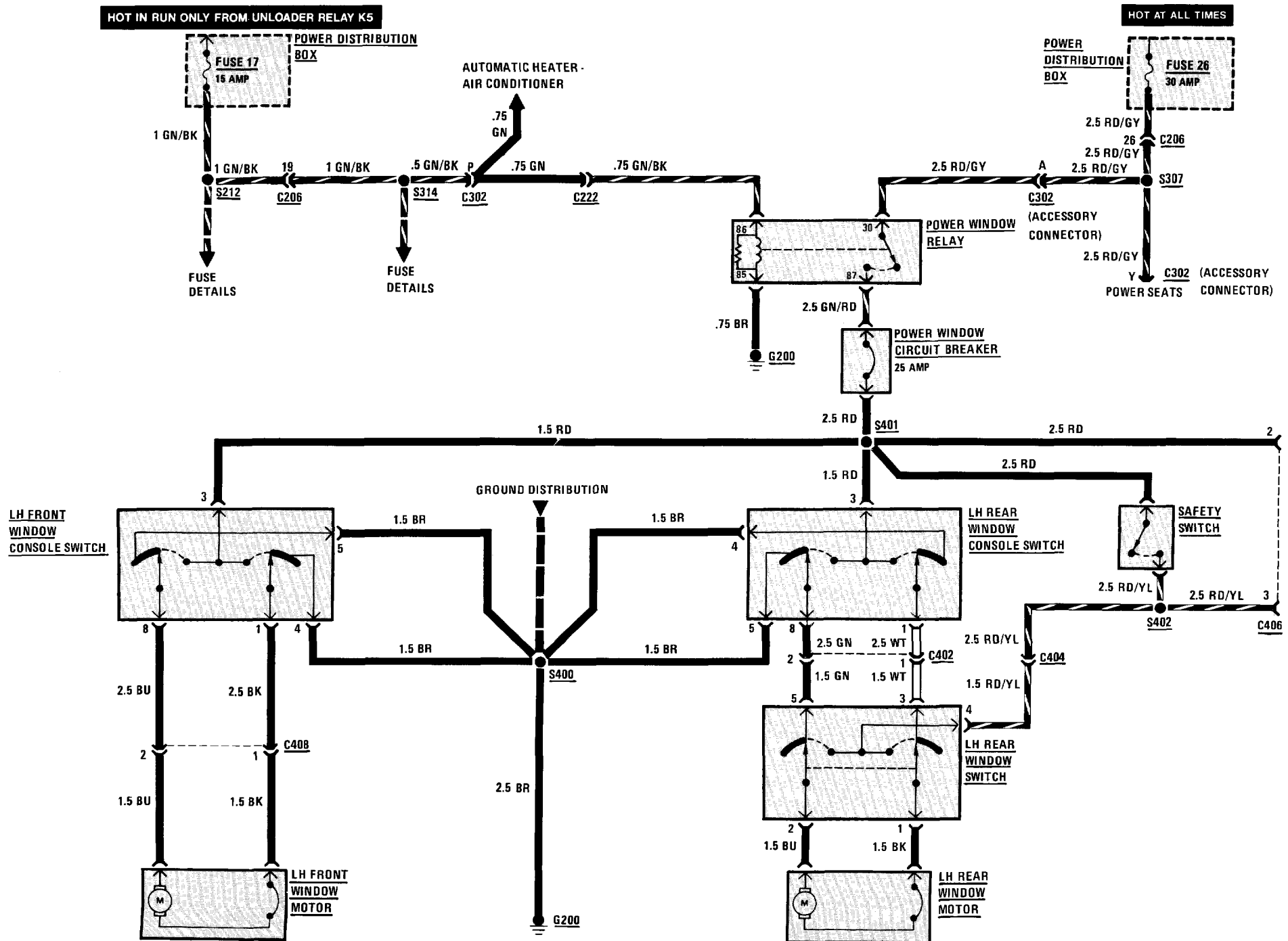
(For Component Locations See Page 206)

(For Component Locations See Page 206)

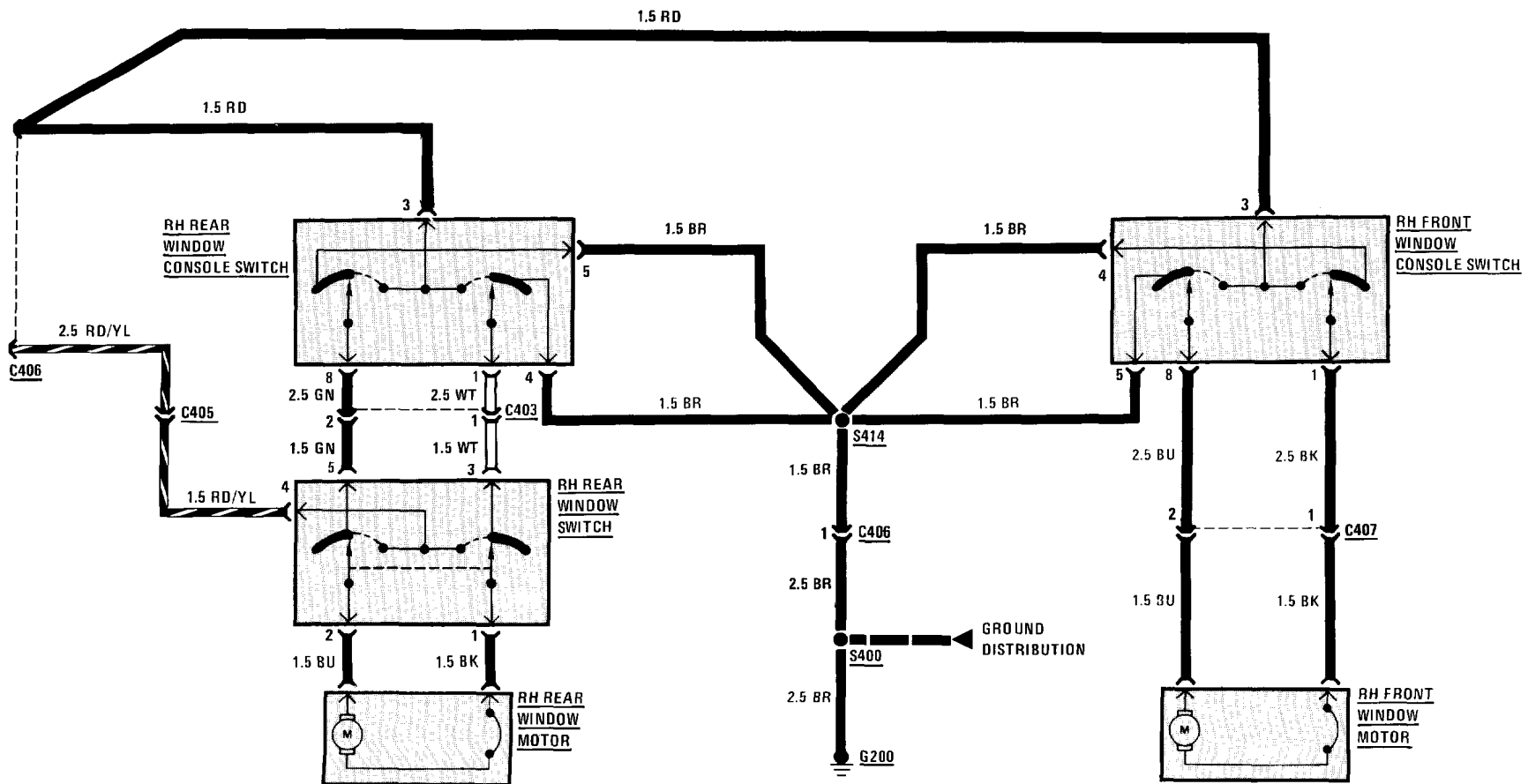


150 POWER WINDOWS

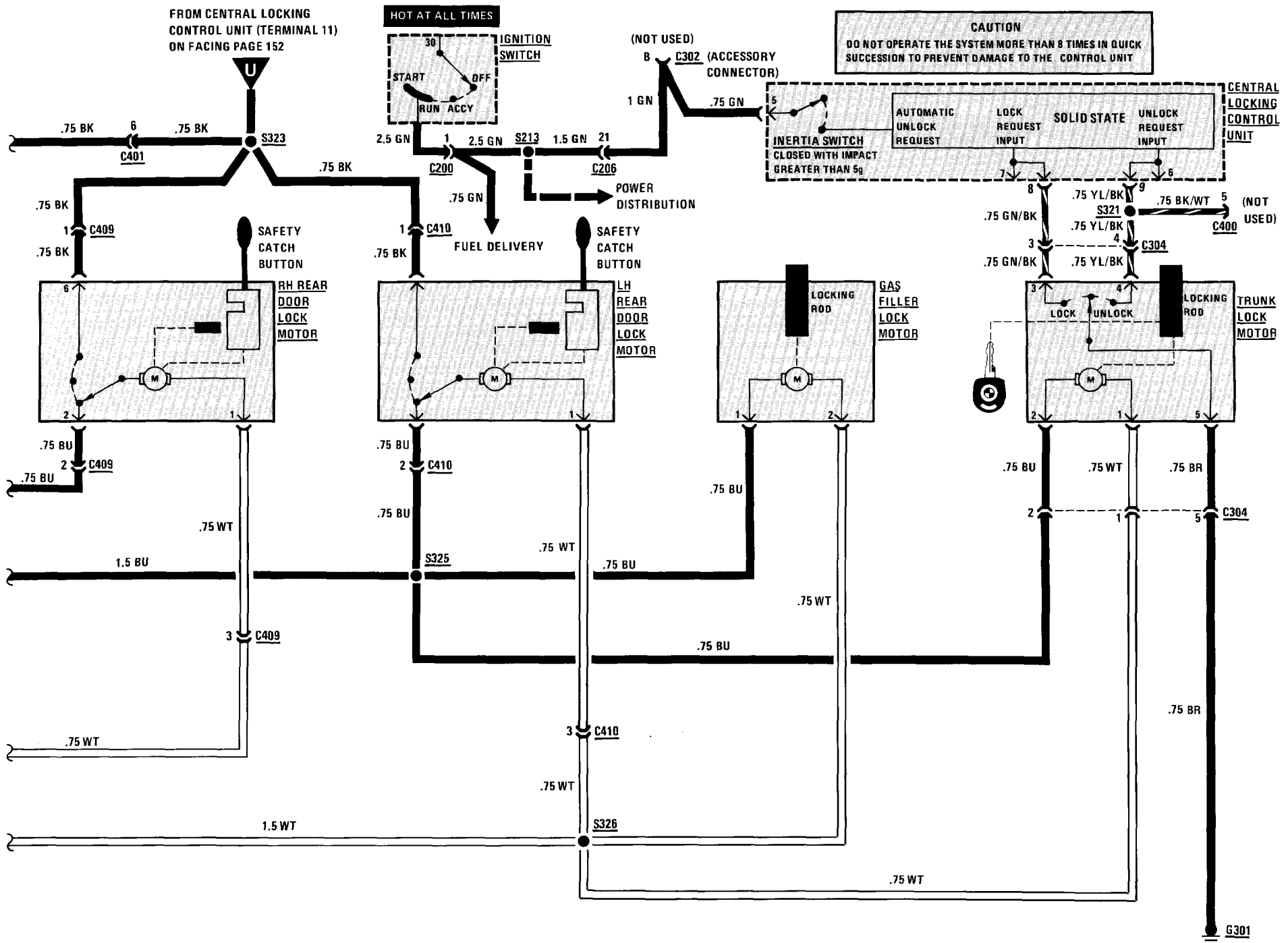
(For Component Locations See Page 210)



(For Component Locations See Page 210)



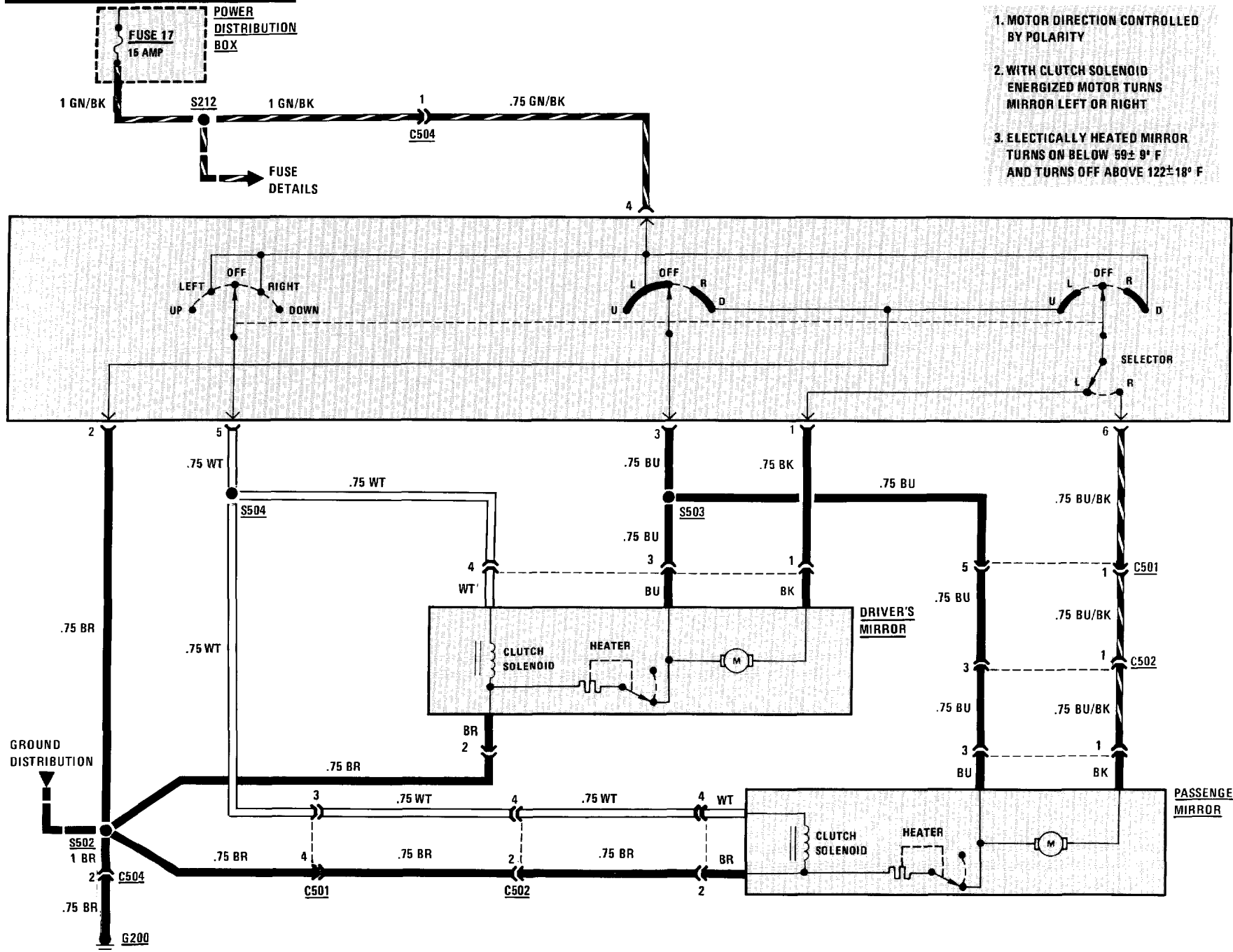
(For Component Locations See Page 204)



154 POWER MIRRORS

(For Component Locations See Page 210)

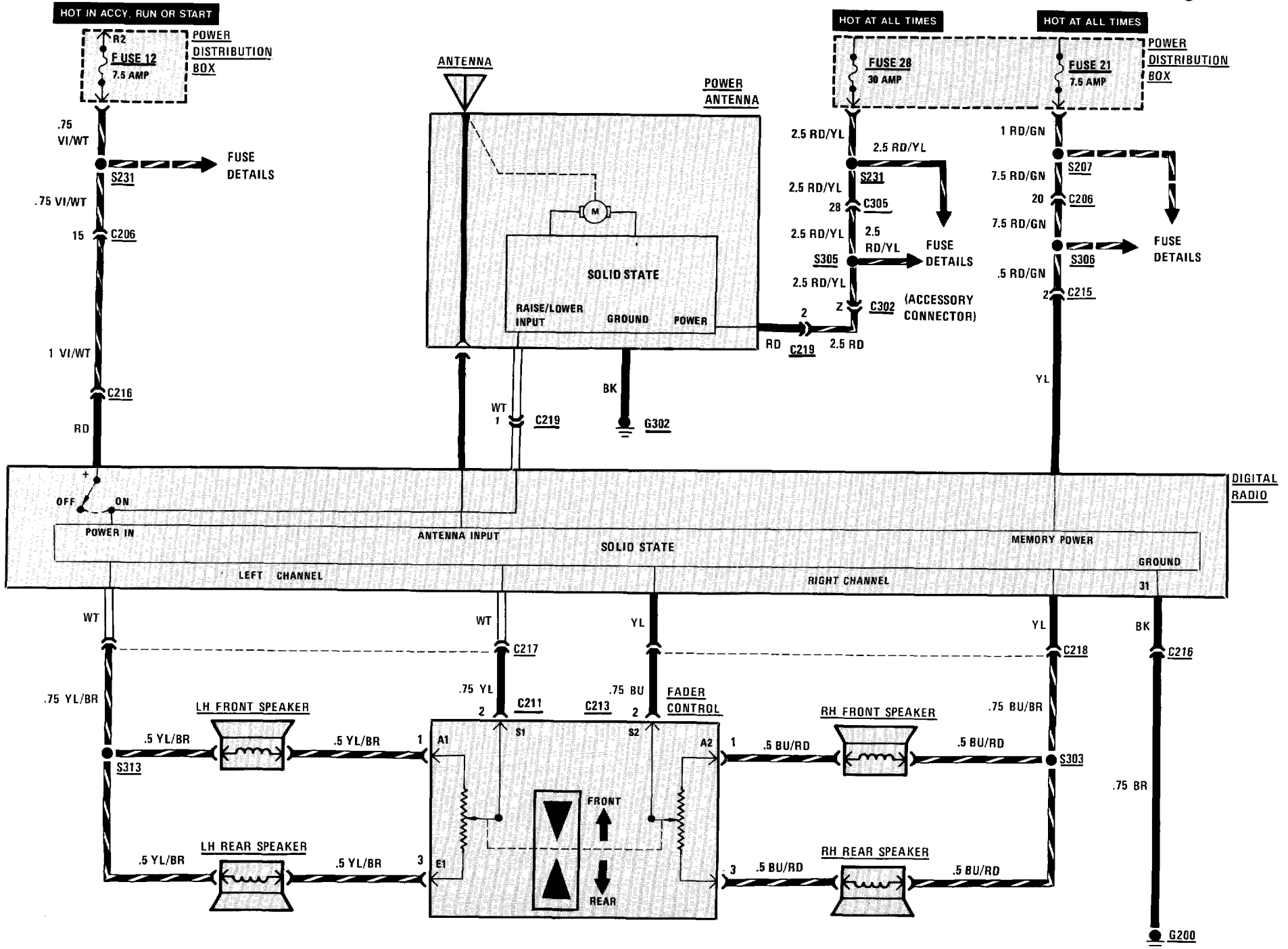
HOT IN RUN ONLY FROM UNLOADER RELAY K5



1. MOTOR DIRECTION CONTROLLED BY POLARITY
2. WITH CLUTCH SOLENOID ENERGIZED MOTOR TURNS MIRROR LEFT OR RIGHT
3. ELECTRICALLY HEATED MIRROR TURNS ON BELOW 59± 9° F AND TURNS OFF ABOVE 122± 18° F

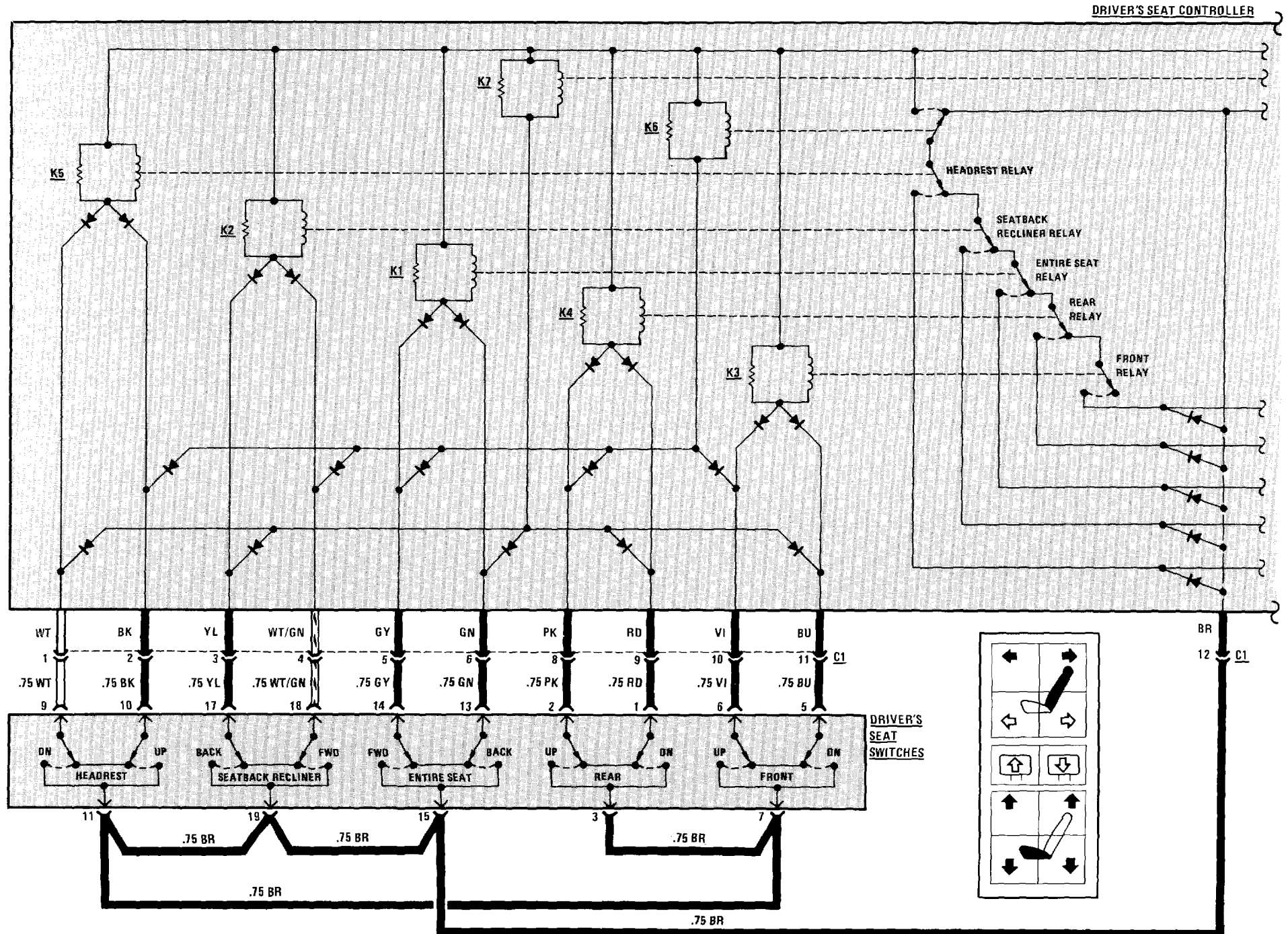
MIRROR CONTROL SWITCH

(For Component Locations See Page 211)

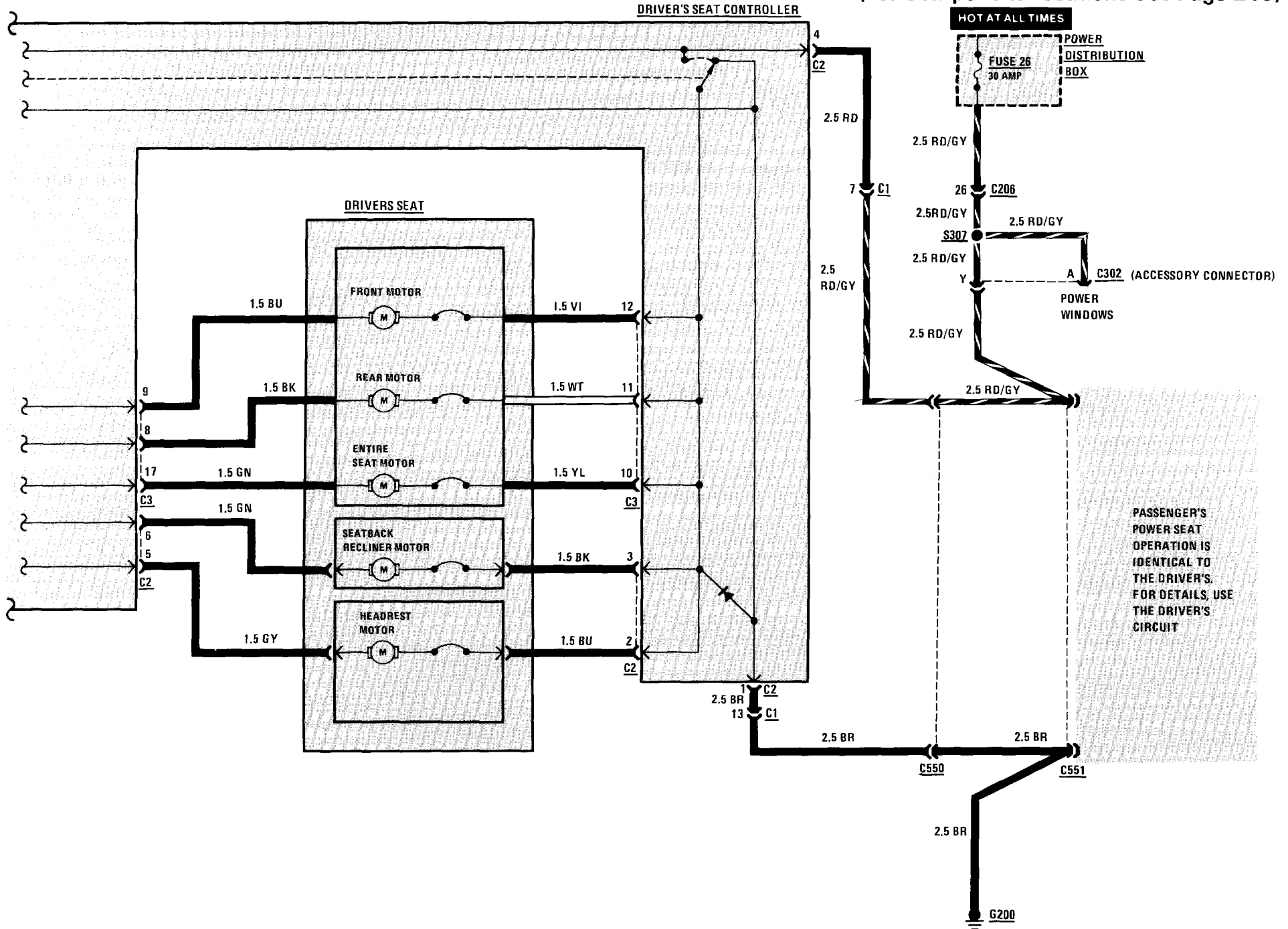


156 POWER SEATS

(For Component Locations See Page 216)

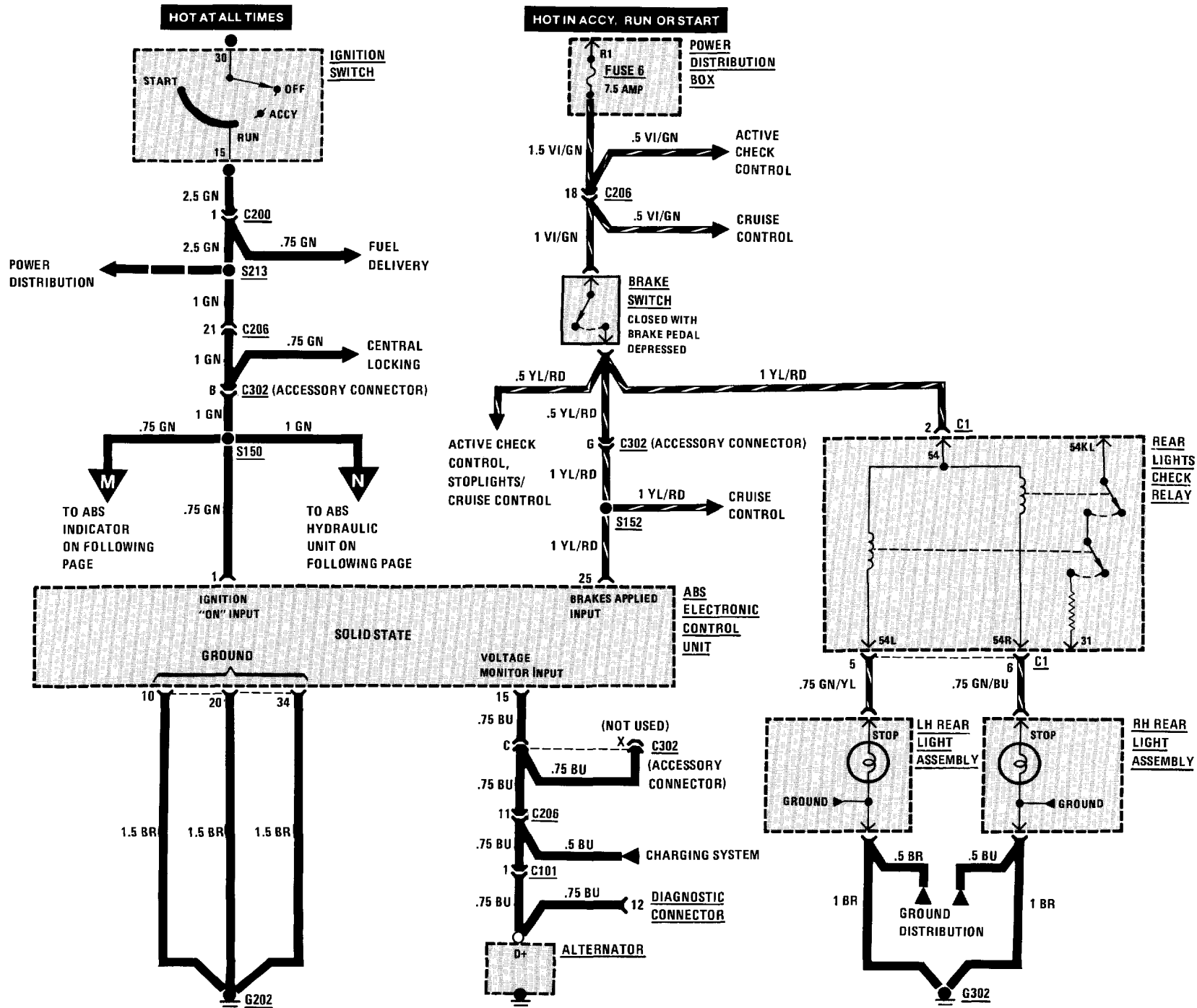


(For Component Locations See Page 216)

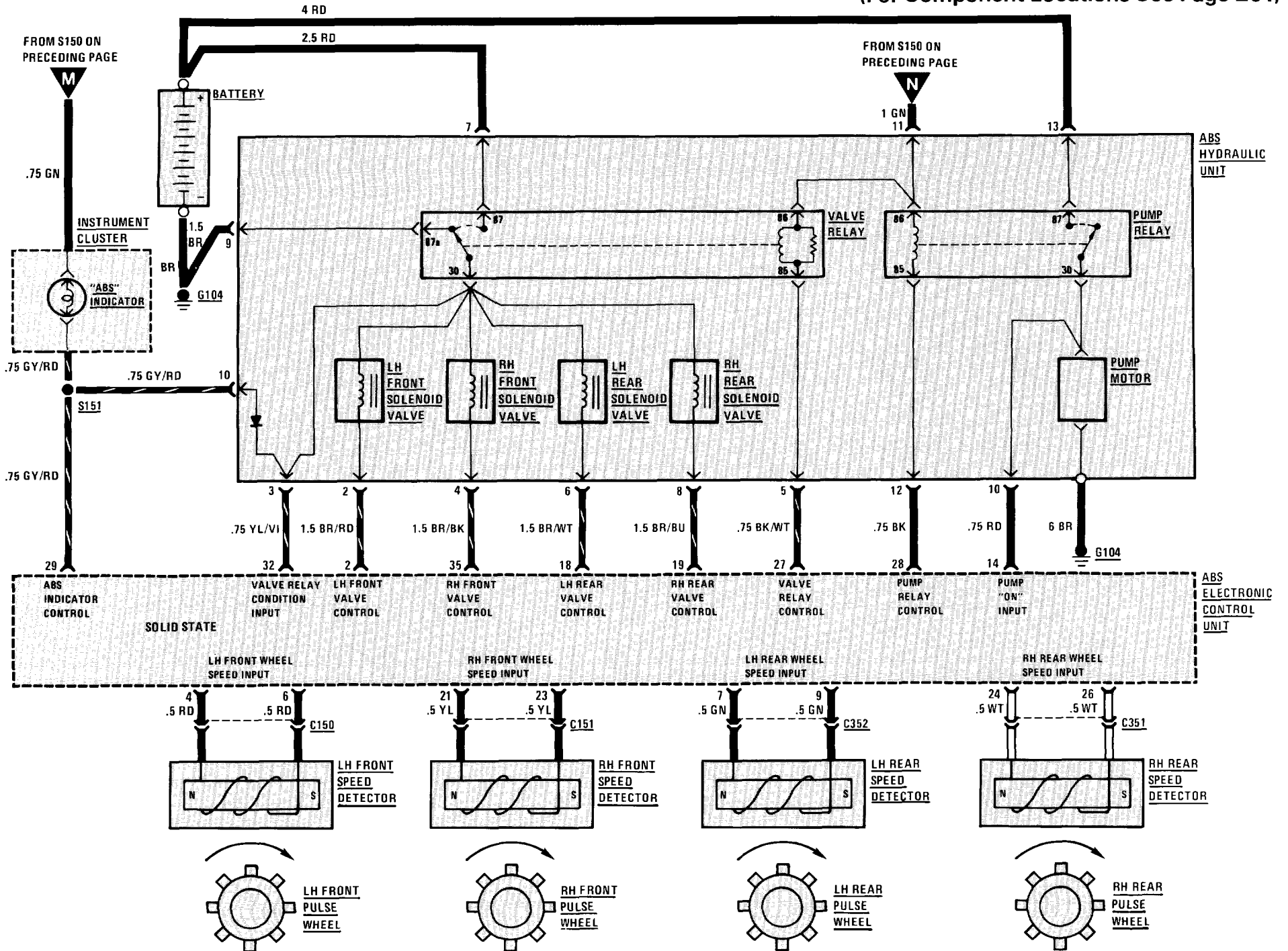


158 ANTI LOCK BRAKING SYSTEM (ABS)

(For Component Locations See Page 201)

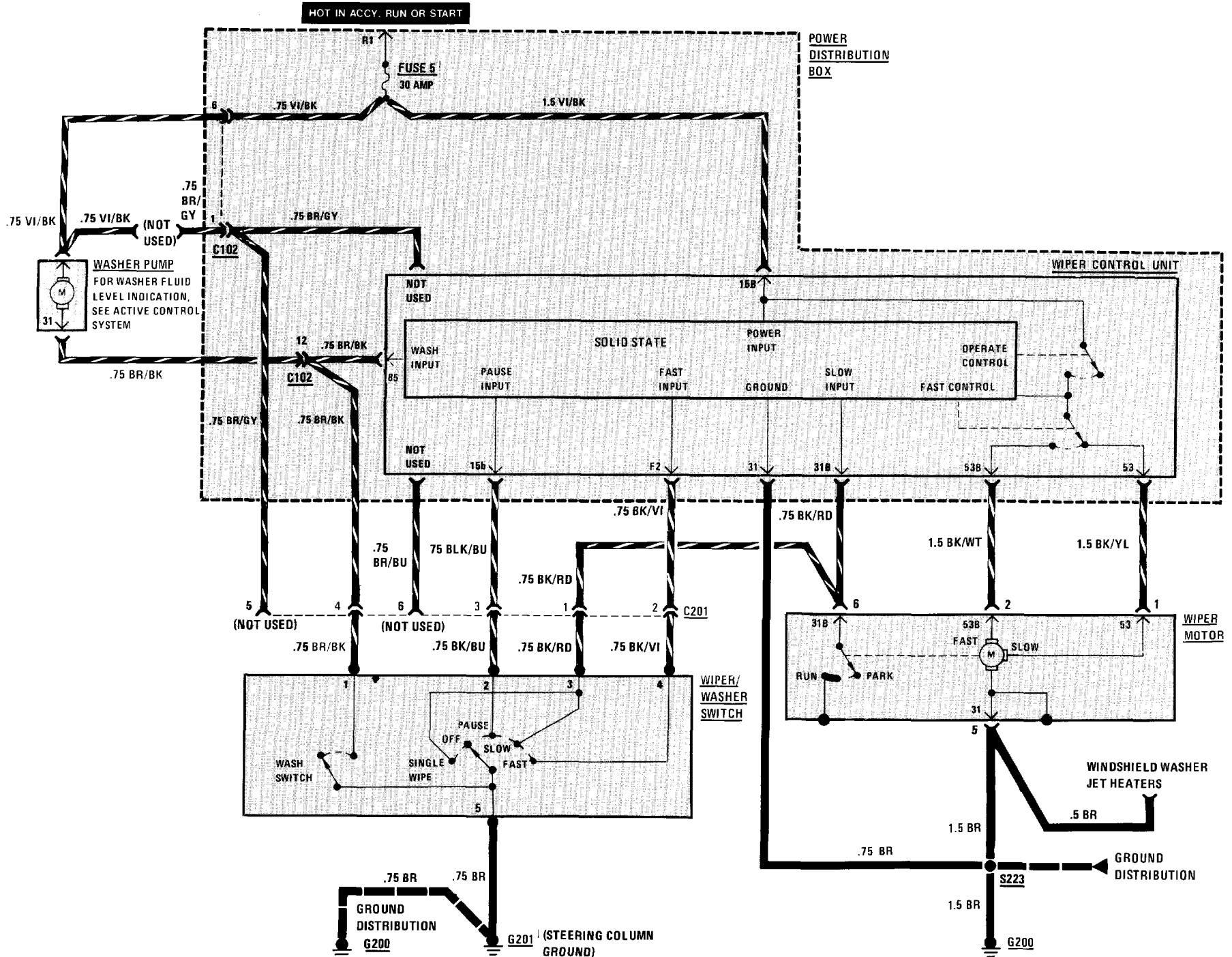


(For Component Locations See Page 201)

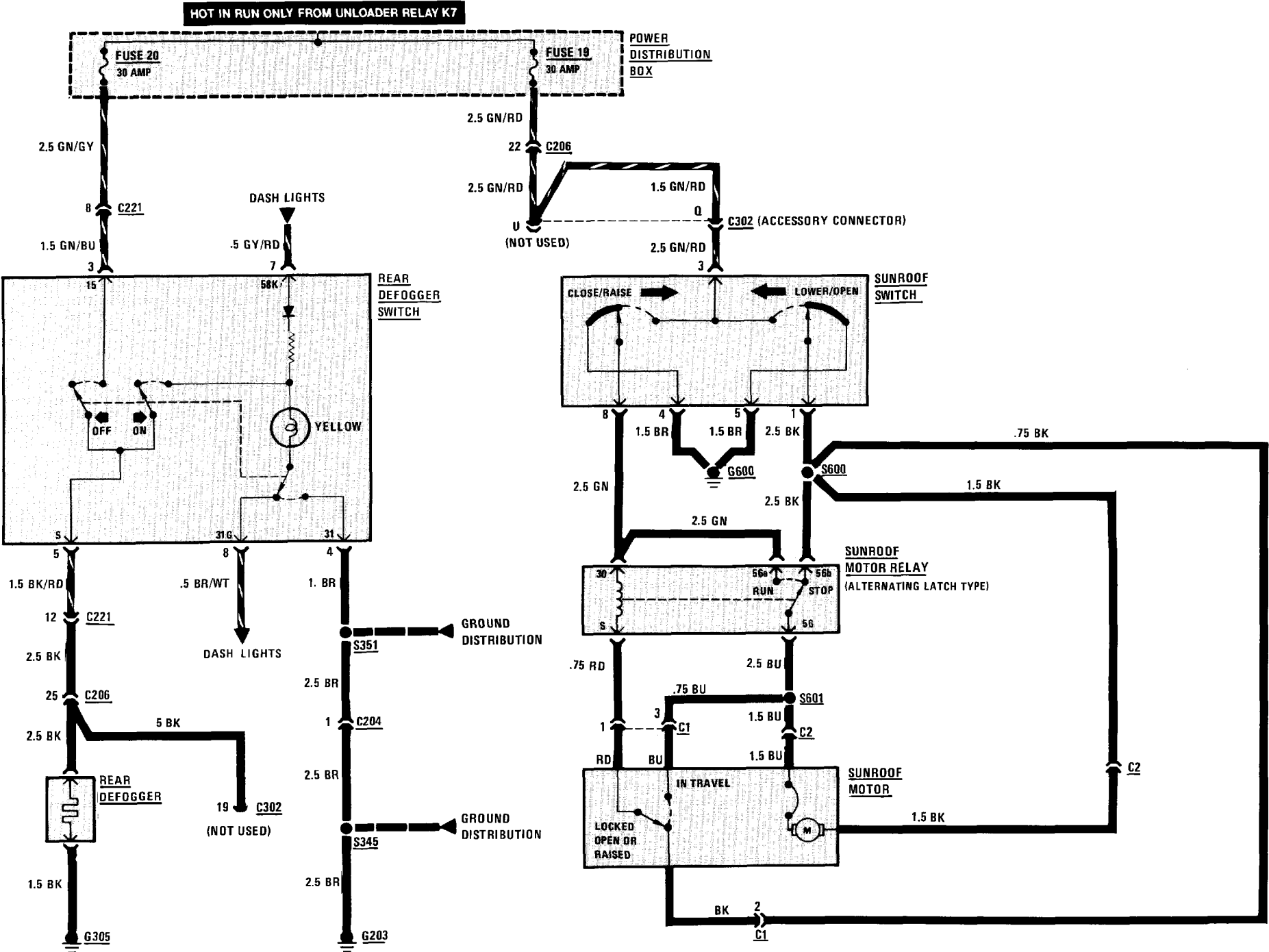


160 WIPER/WASHER

(For Component Locations See Page 215)

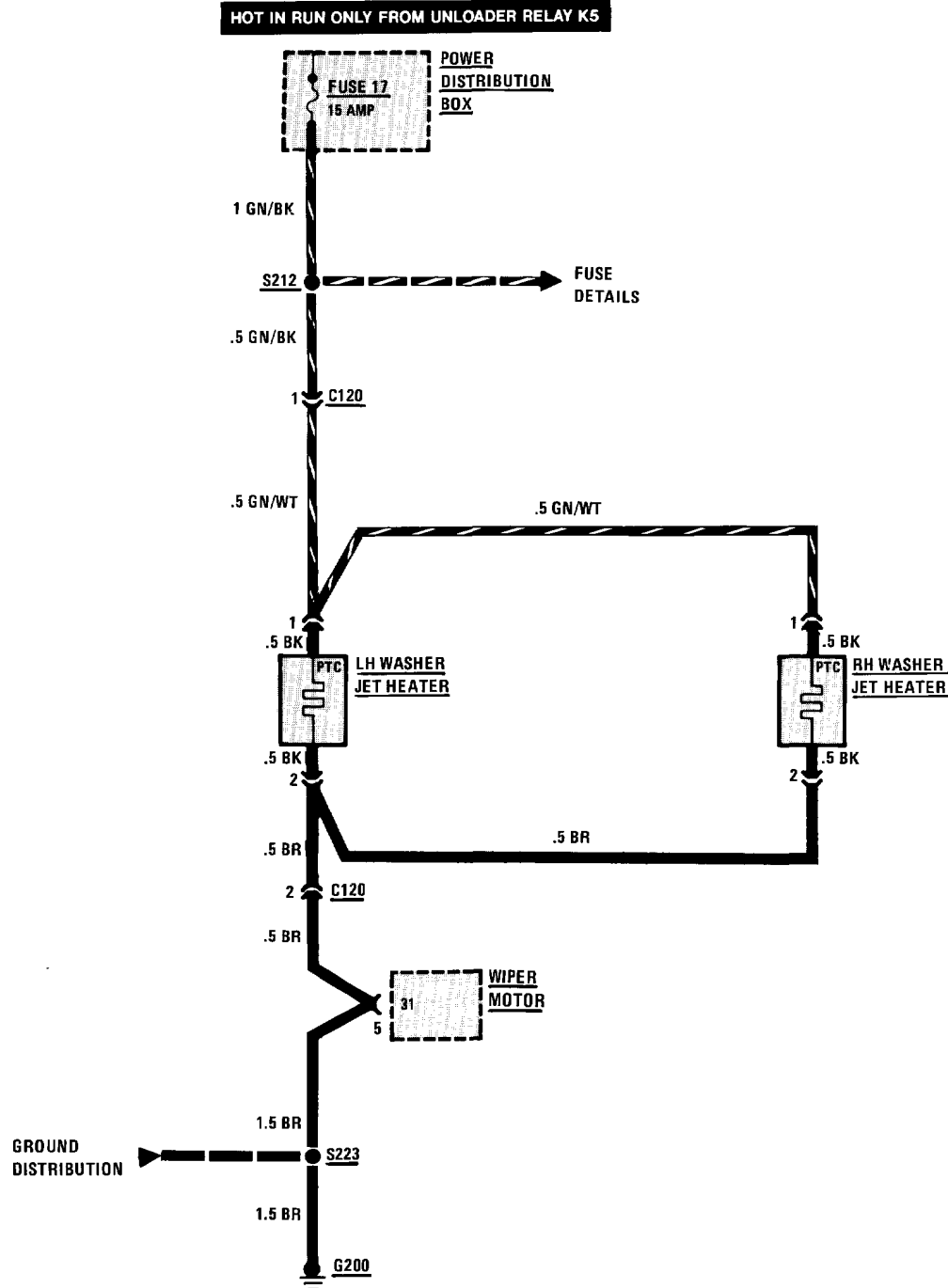


(For Component Locations See Page 211)

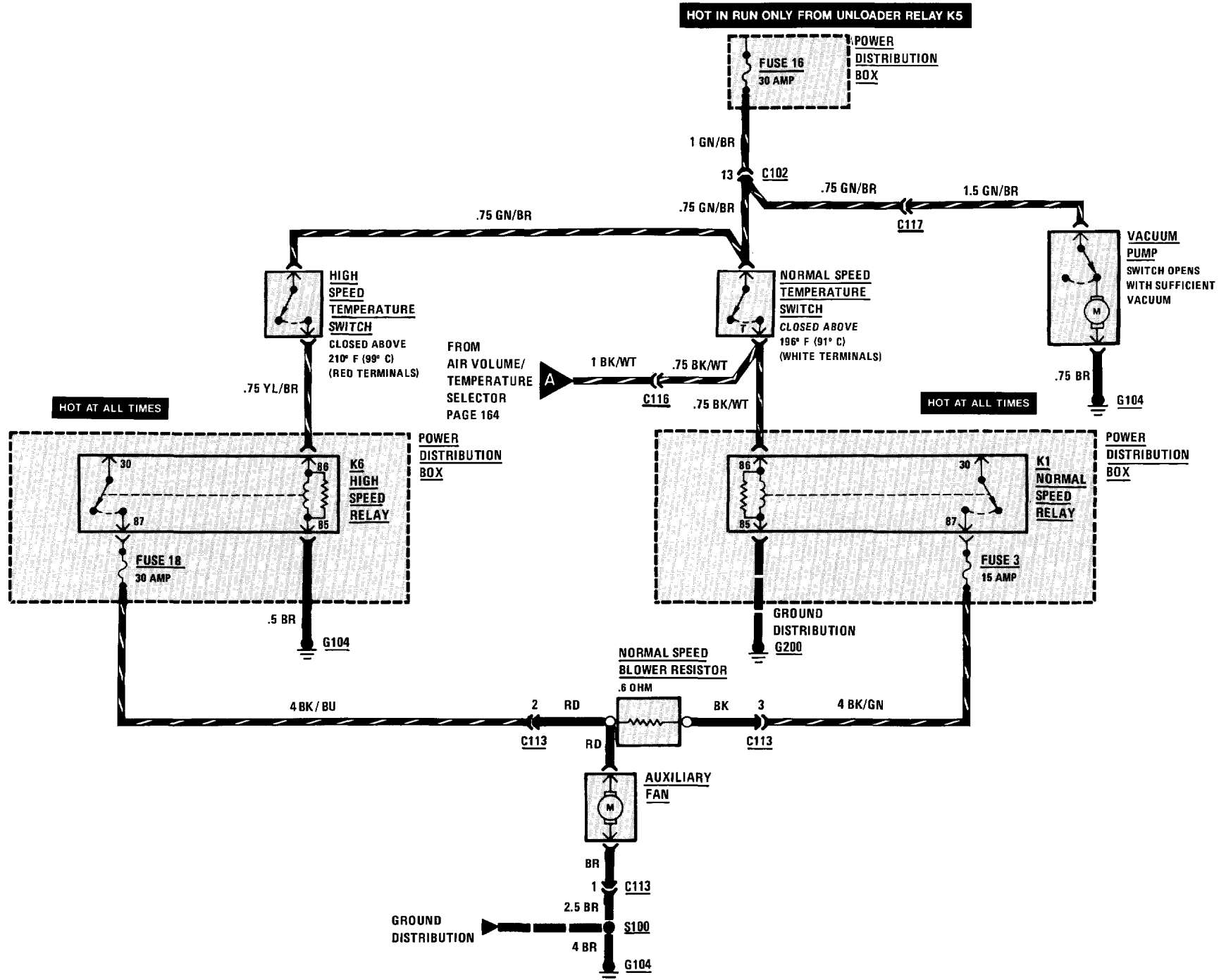


162 WINDSHIELD WASHER JET HEATERS

(For Component Locations See Page 215)

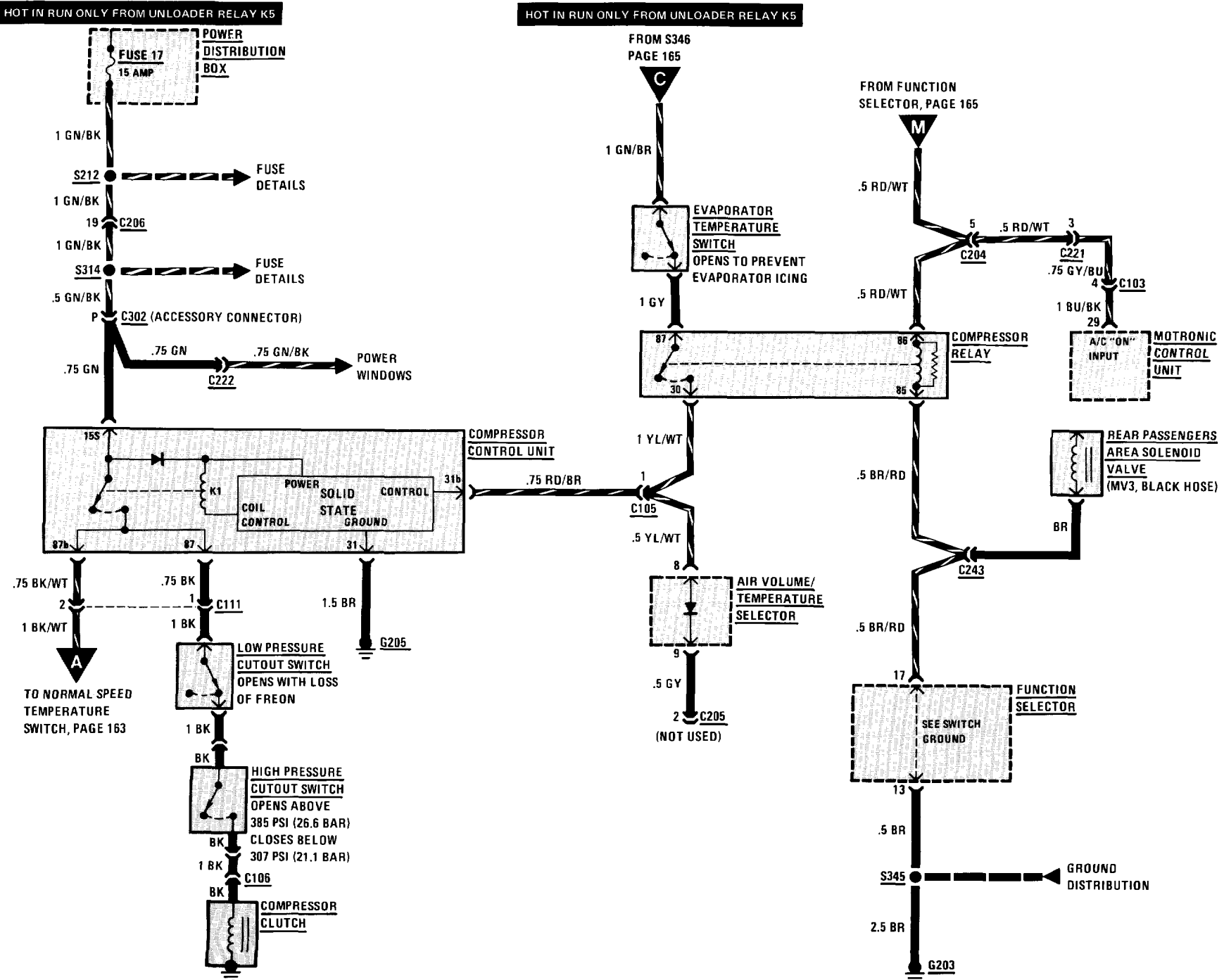


(For Component Locations See Page 203)

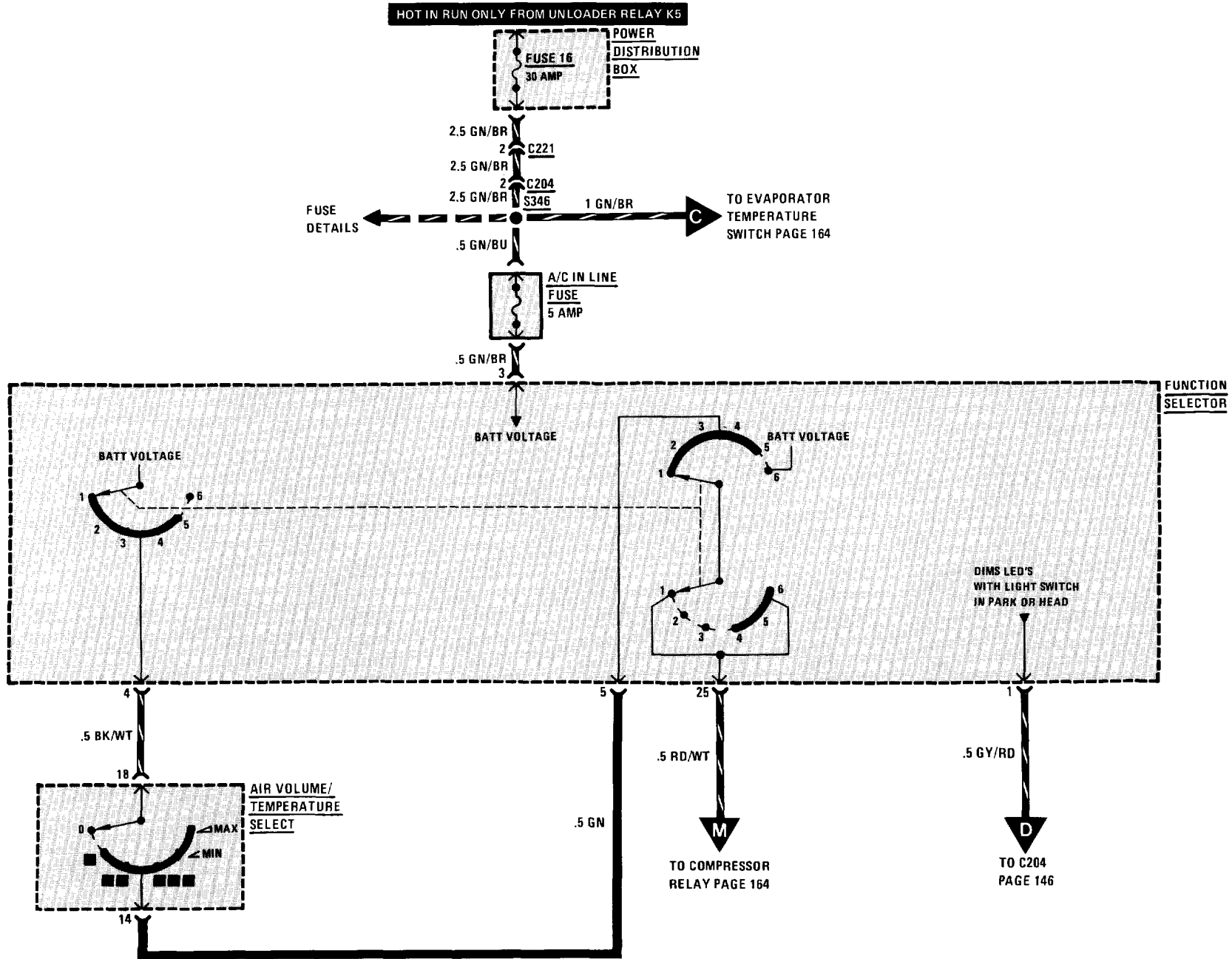


164 AUTOMATIC HEATER-AIR CONDITIONER (COMPRESSOR CONTROL)

(For Component Locations See Page 202)

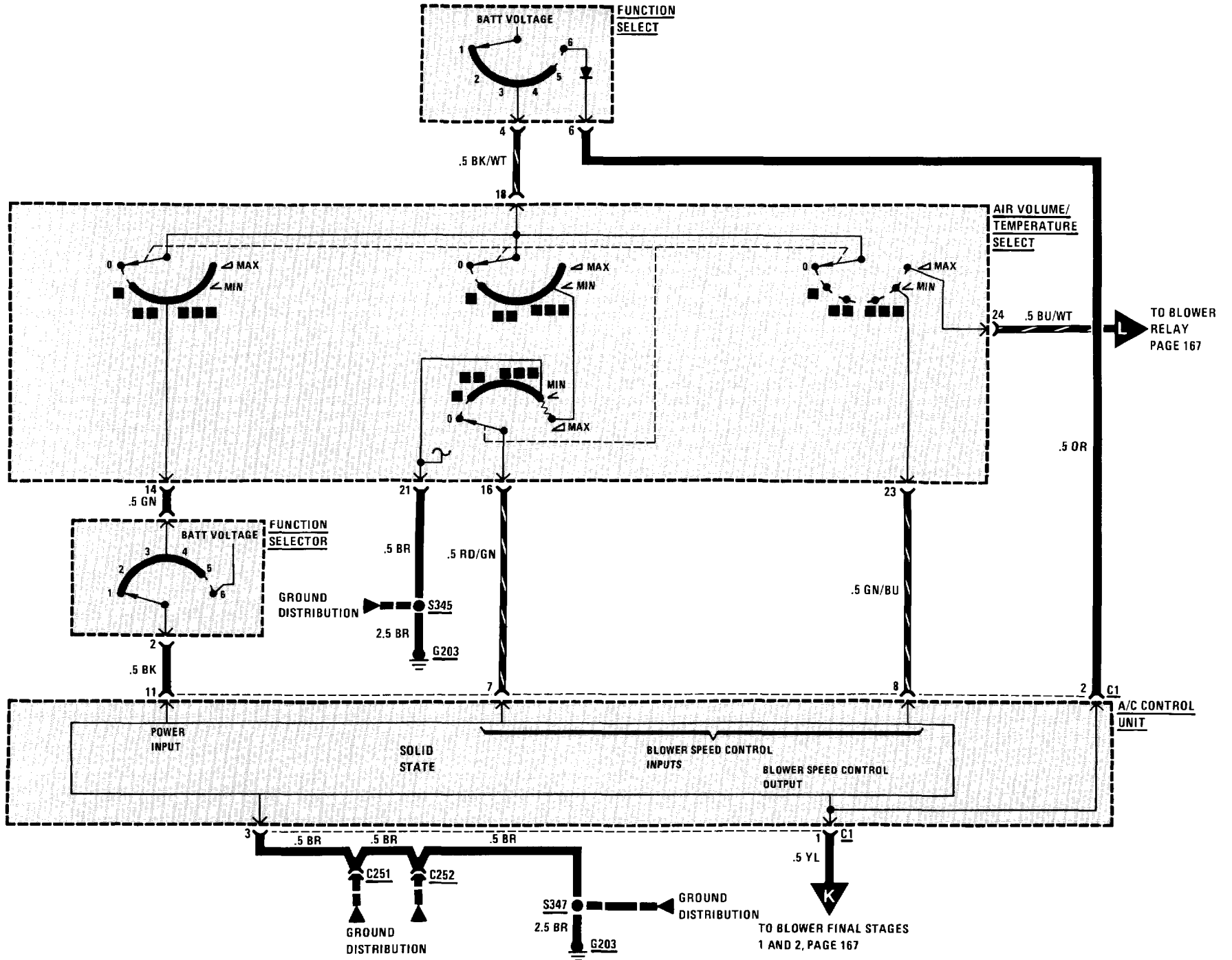


(For Component Locations See Page 202)

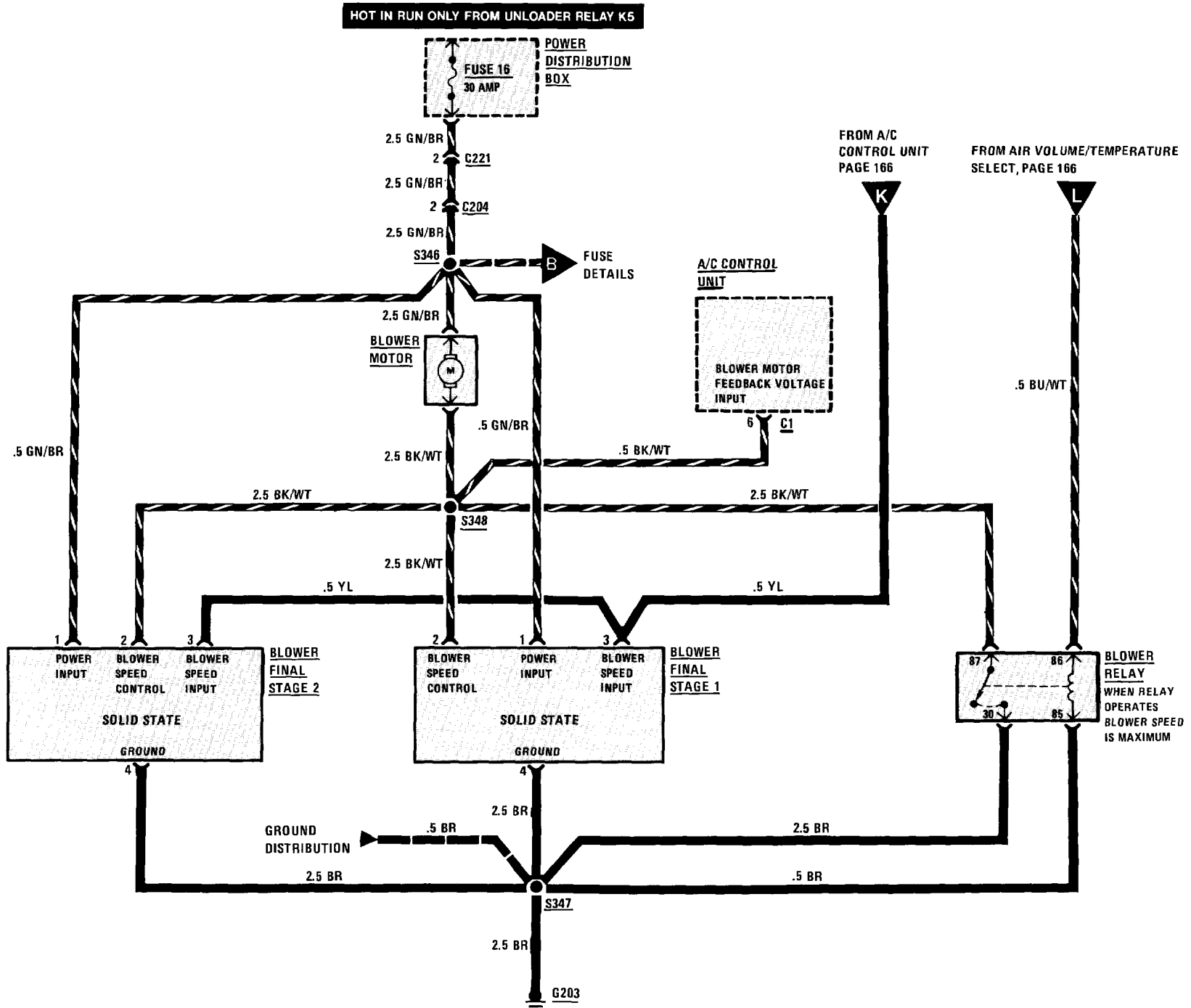


166 AUTOMATIC HEATER-AIR CONDITIONER (BLOWER CONTROL)

(For Component Locations See Page 202)

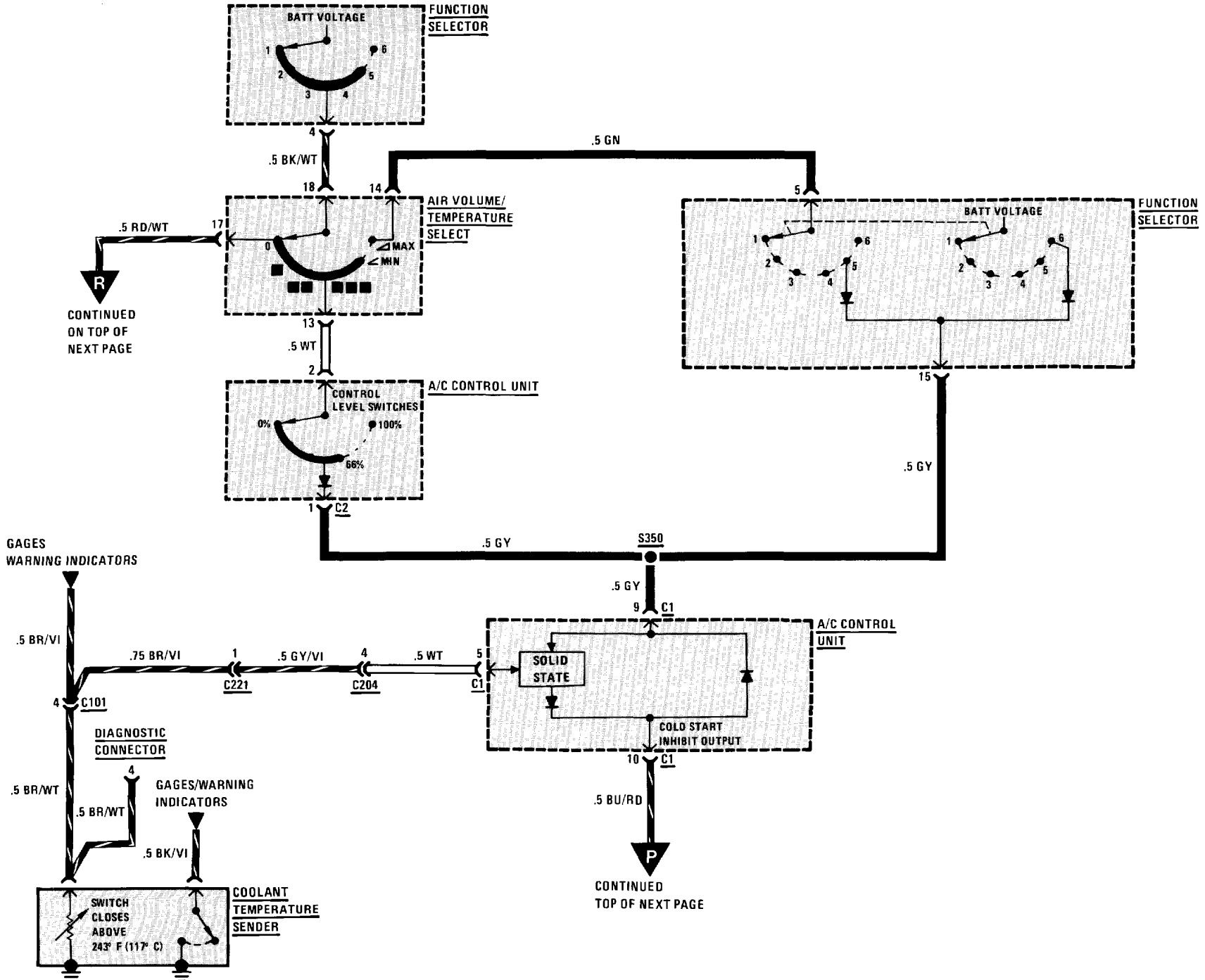


(For Component Locations See Page 202)

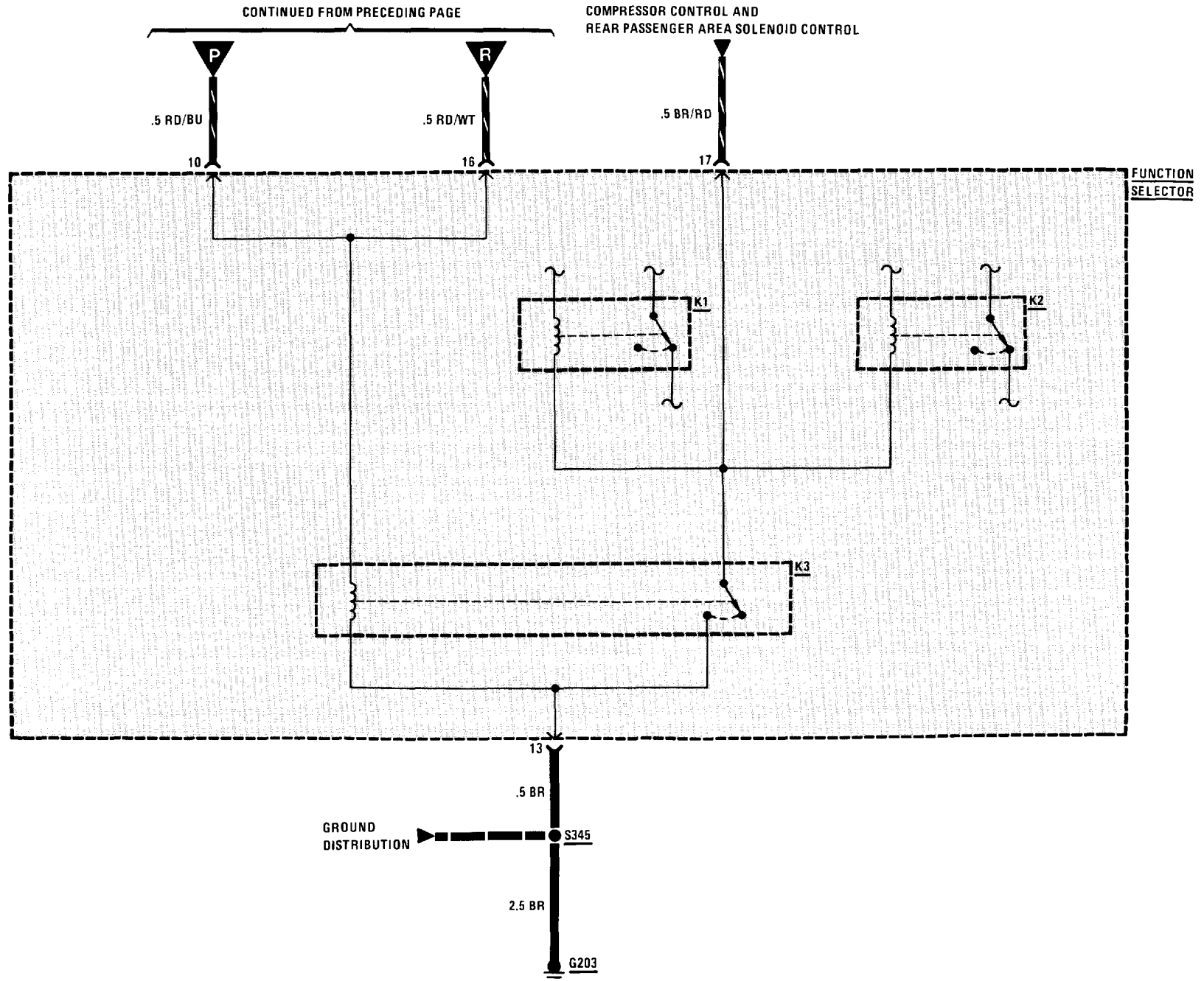


168 AUTOMATIC HEATER-AIR CONDITIONER (COLD START INHIBIT - SWITCHED GROUND)

(For Component Locations See Page 202)

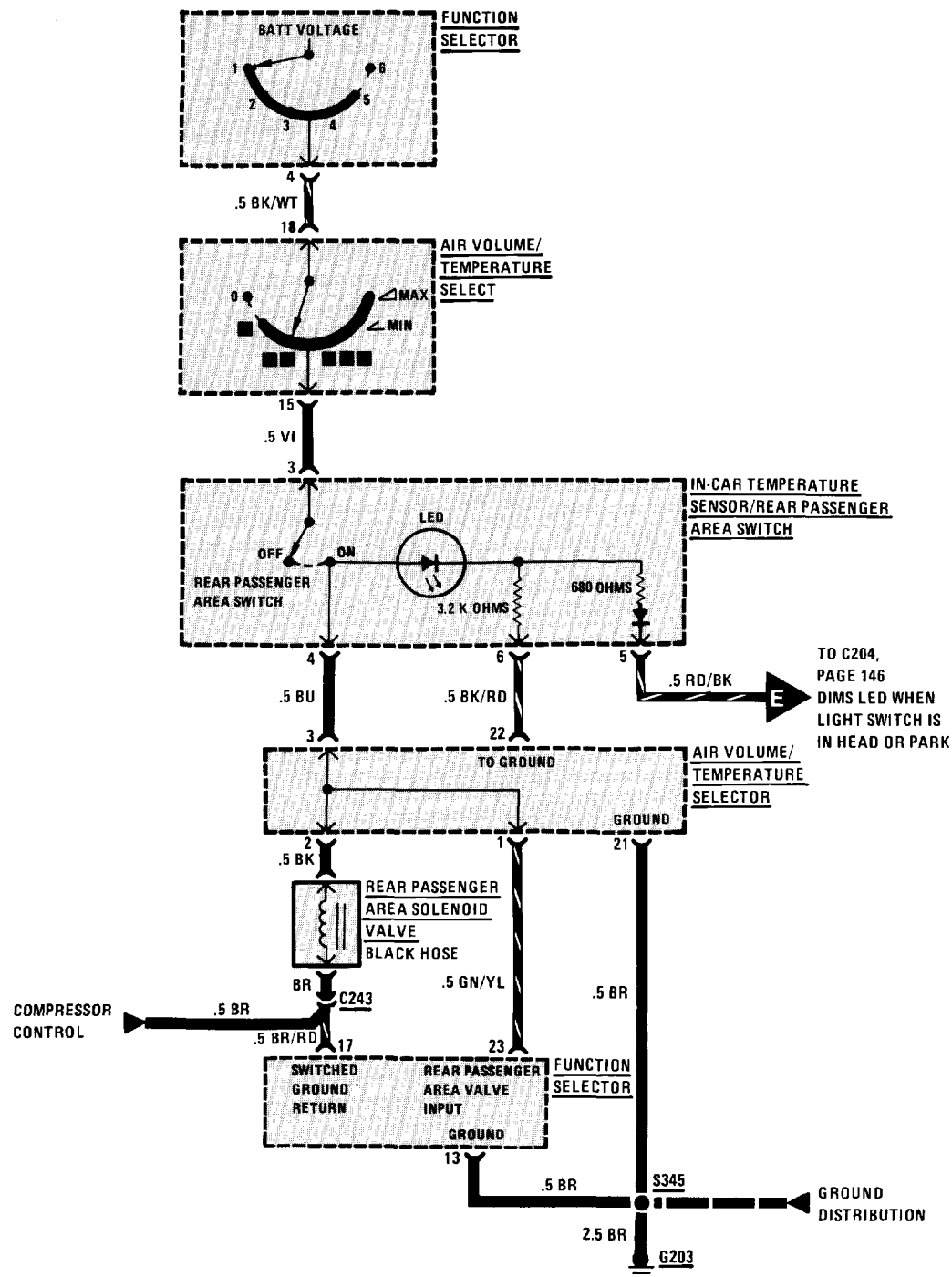


(For Component Locations See Page 202)

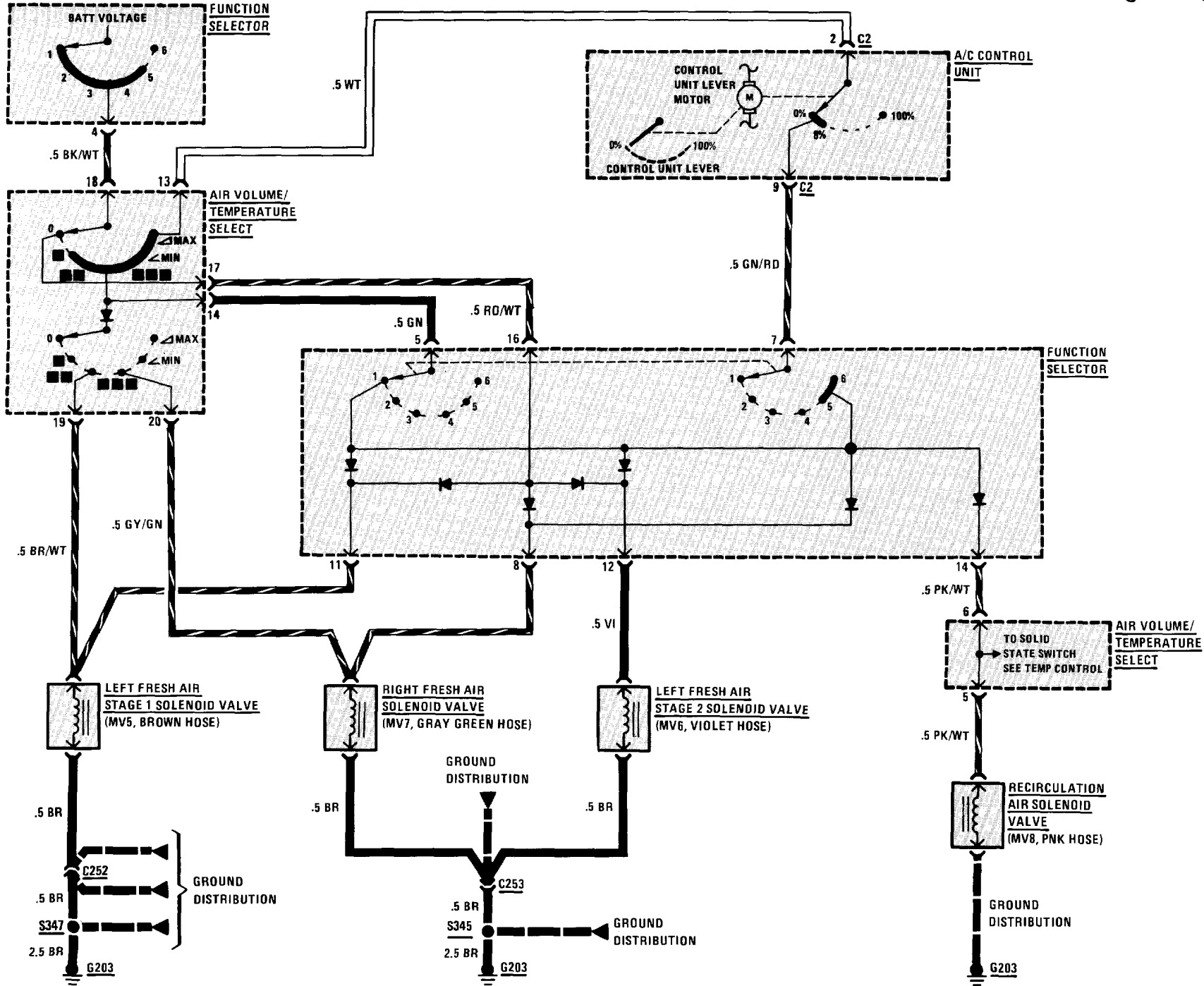


170 REAR PASSENGER AREA SOLENOID VALVE CONTROL

(For Component Locations See Page 202)



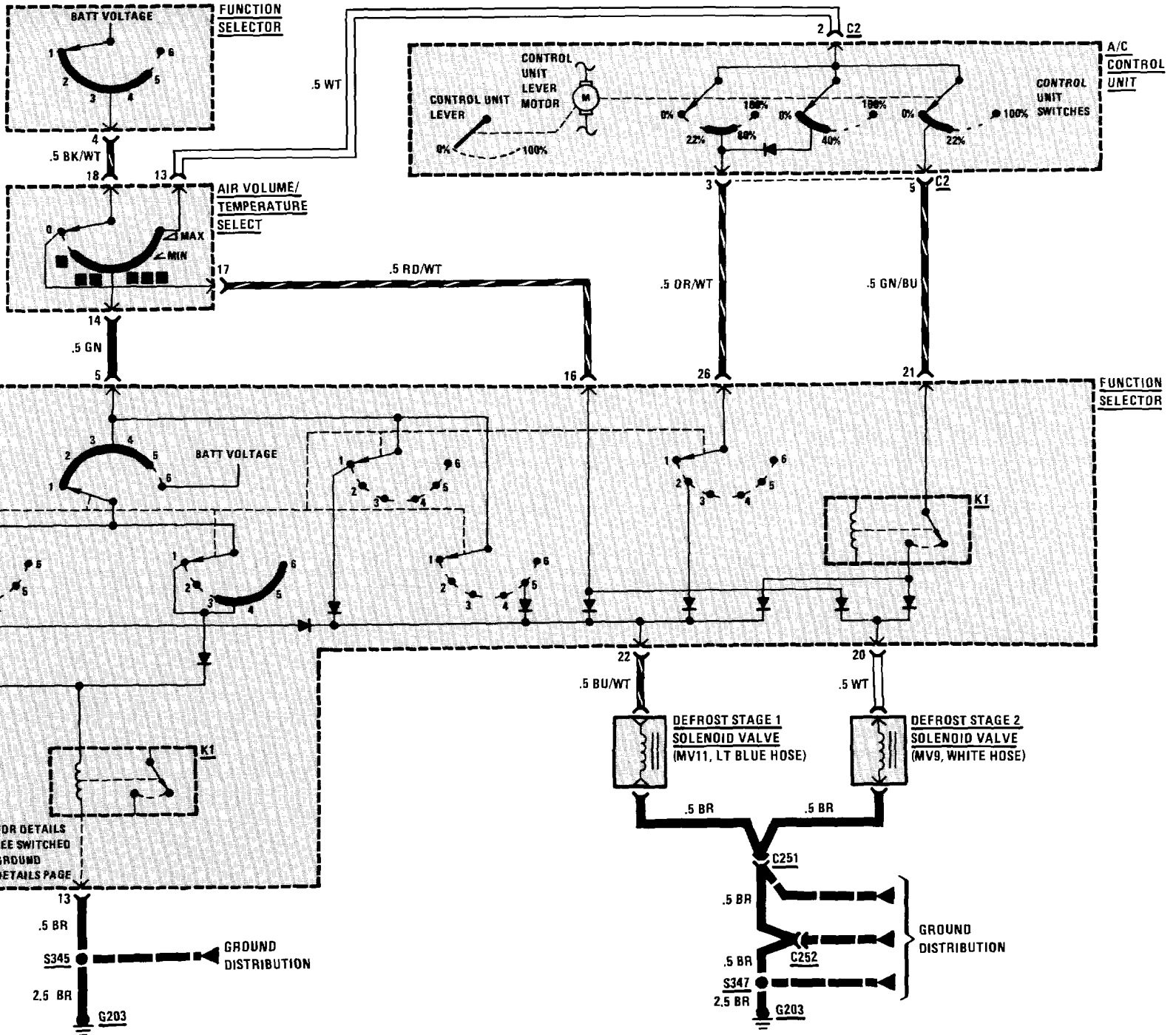
(For Component Locations See Page 202)



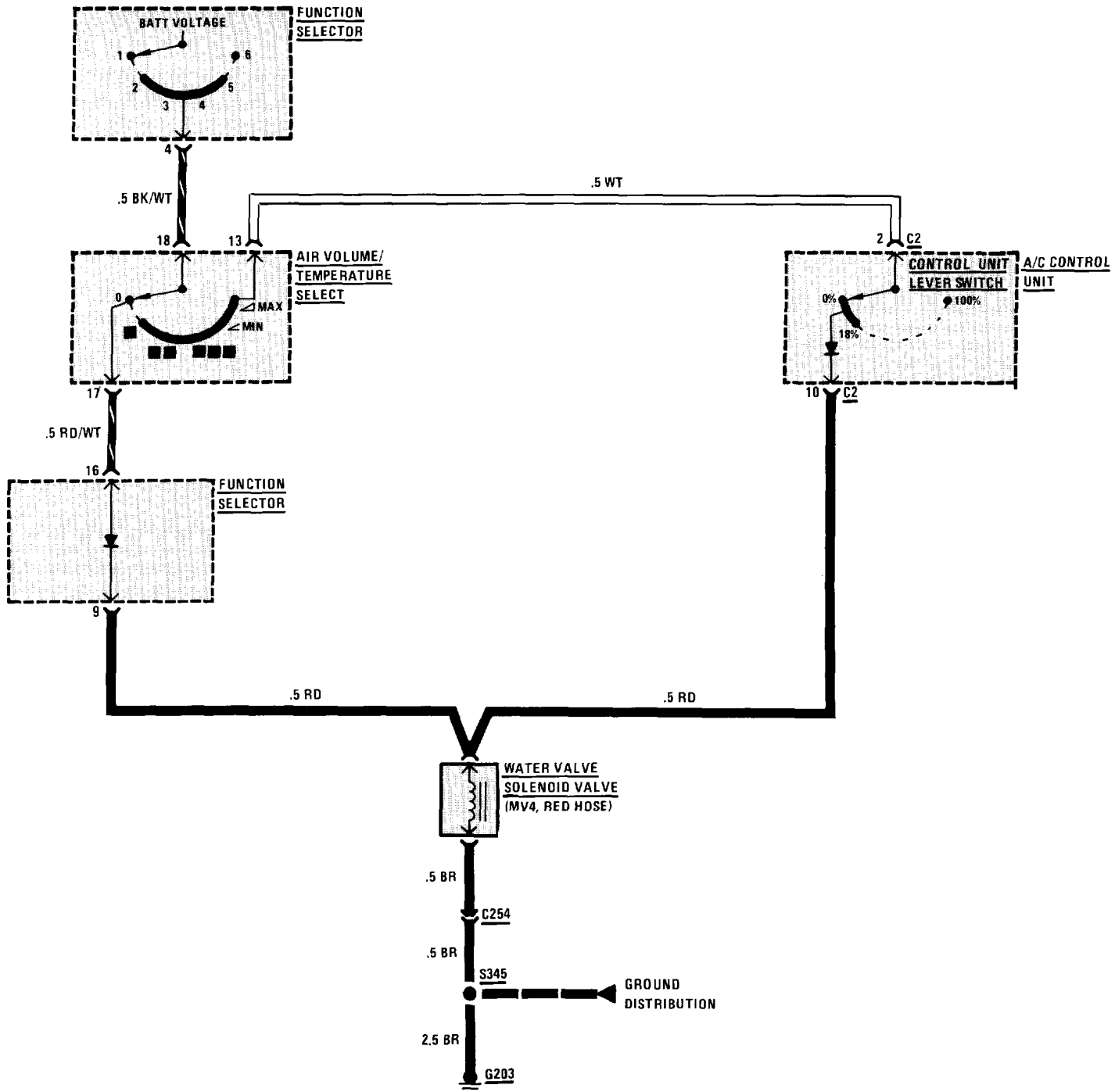
172 DEFROST SOLENOID VALVE CONTROLS

(For Component Locations See Page 202)

FUNCTION SELECTOR POSITIONS	
1	RECIRC
2	ECONO UP/DOWN
3	ECONO AUTO
4	A/C BI-LEVEL
5	A/C AUTO
6	DEF

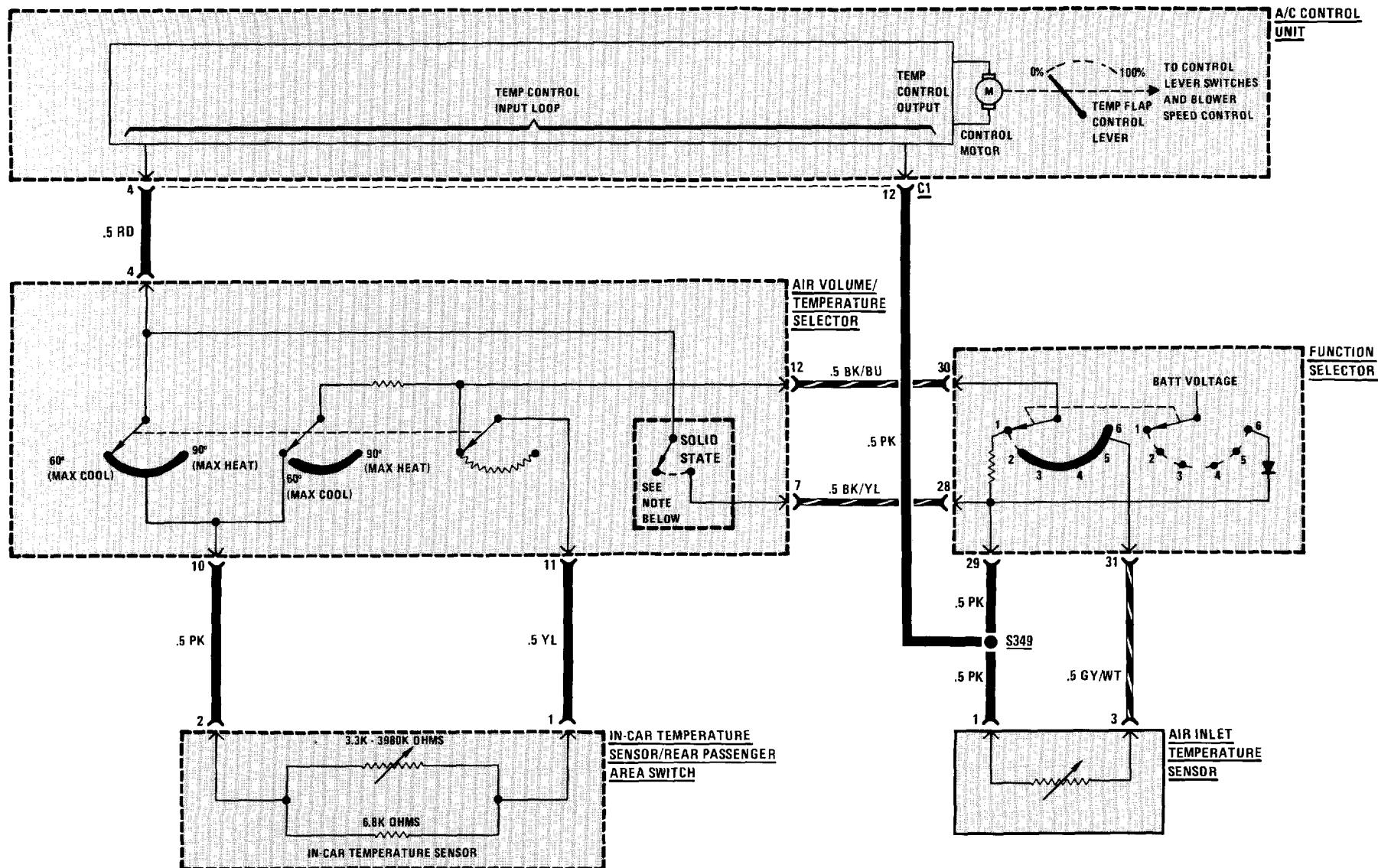


(For Component Locations See Page 202)



174 TEMPERATURE CONTROL LOOP

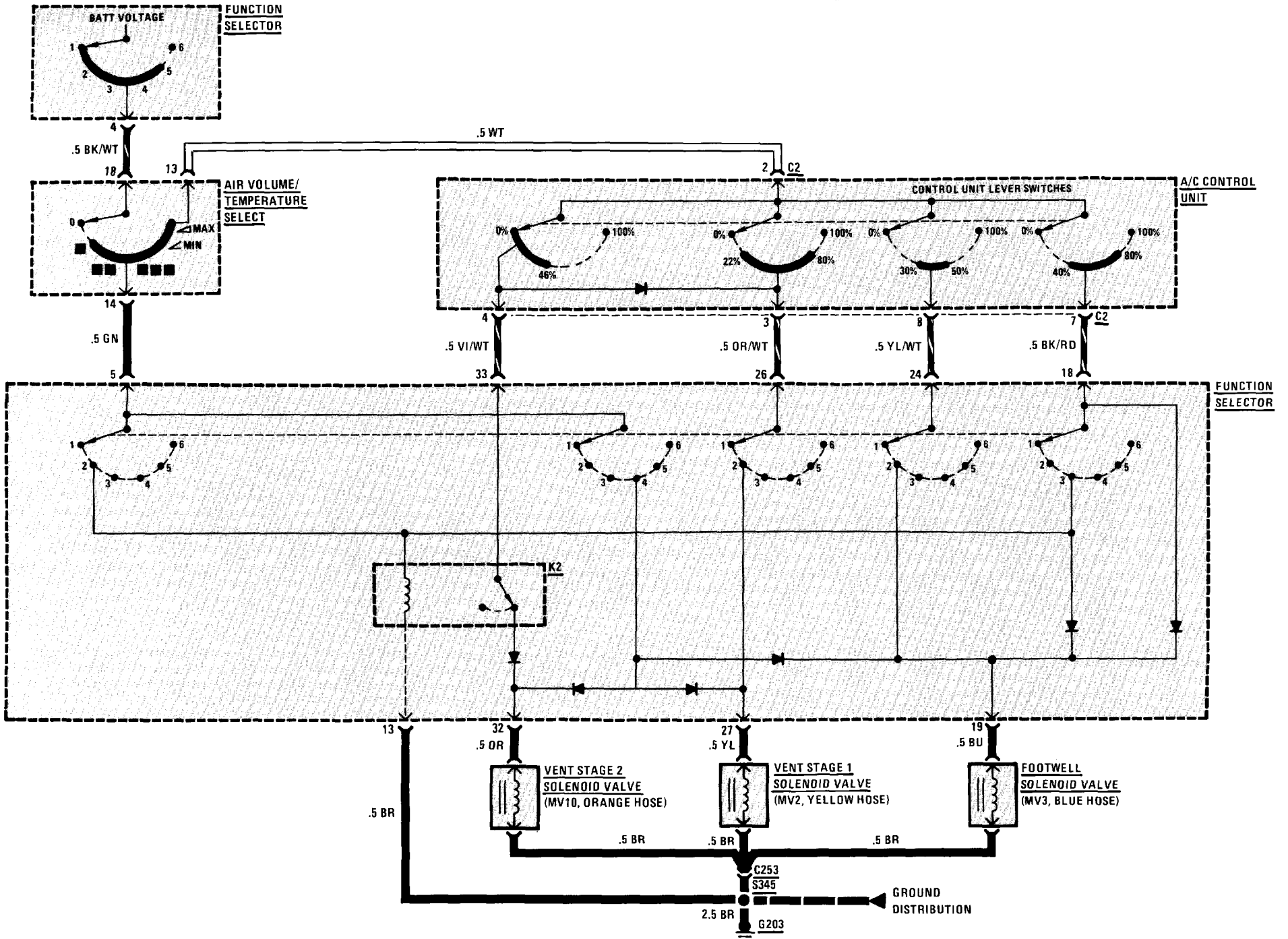
(For Component Locations See Page 202)



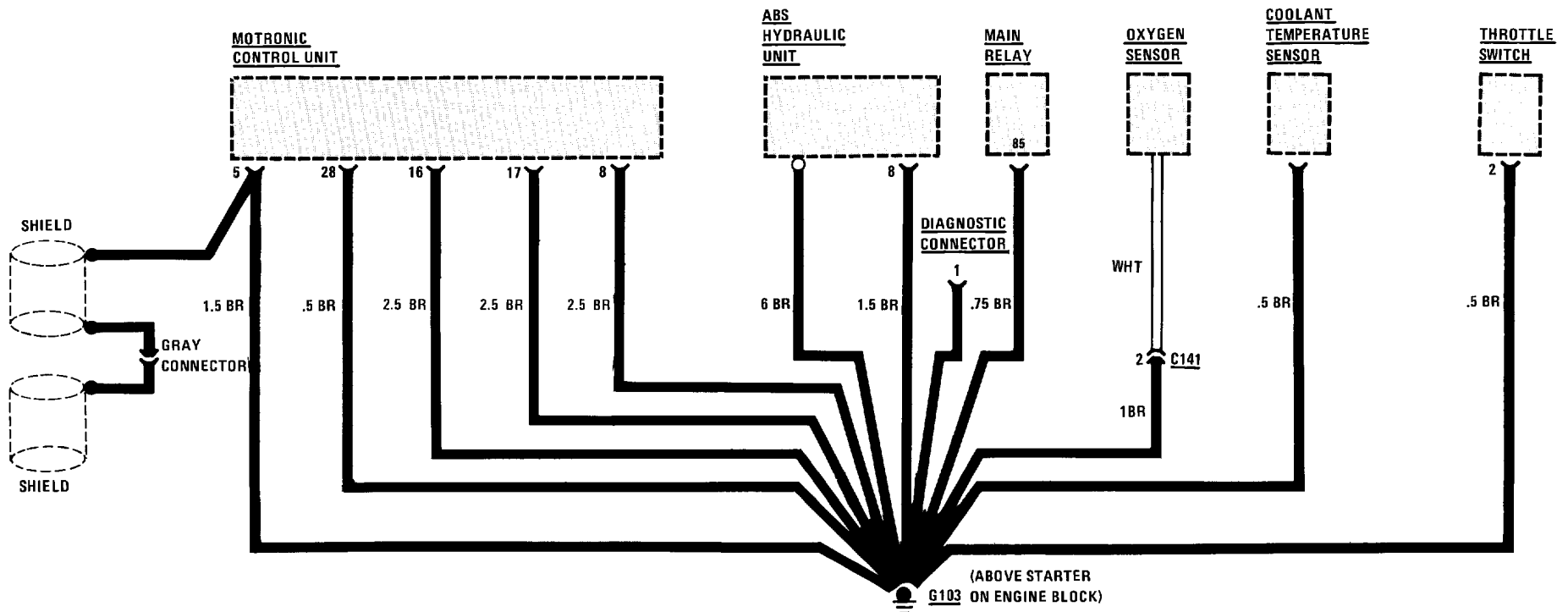
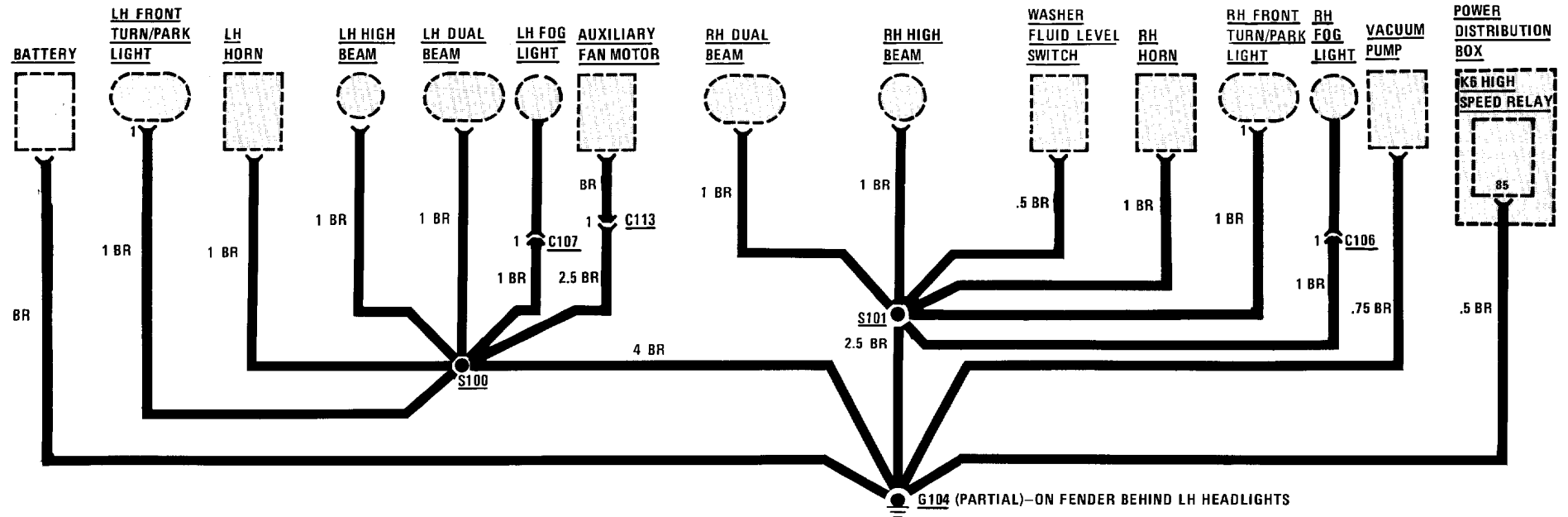
NOTE: SOLID STATE SWITCH IS CLOSED WHEN FUNCTION SELECT IS IN RECIRC ① OR DEF ②

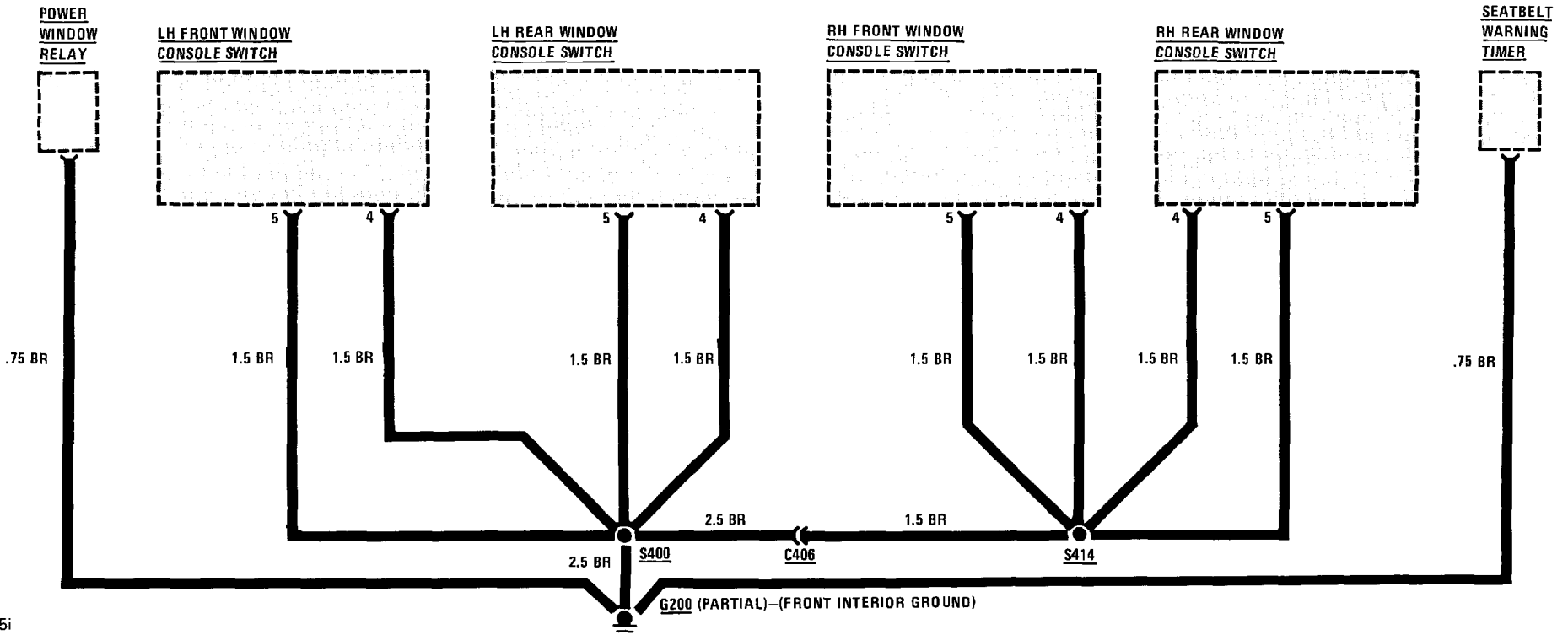
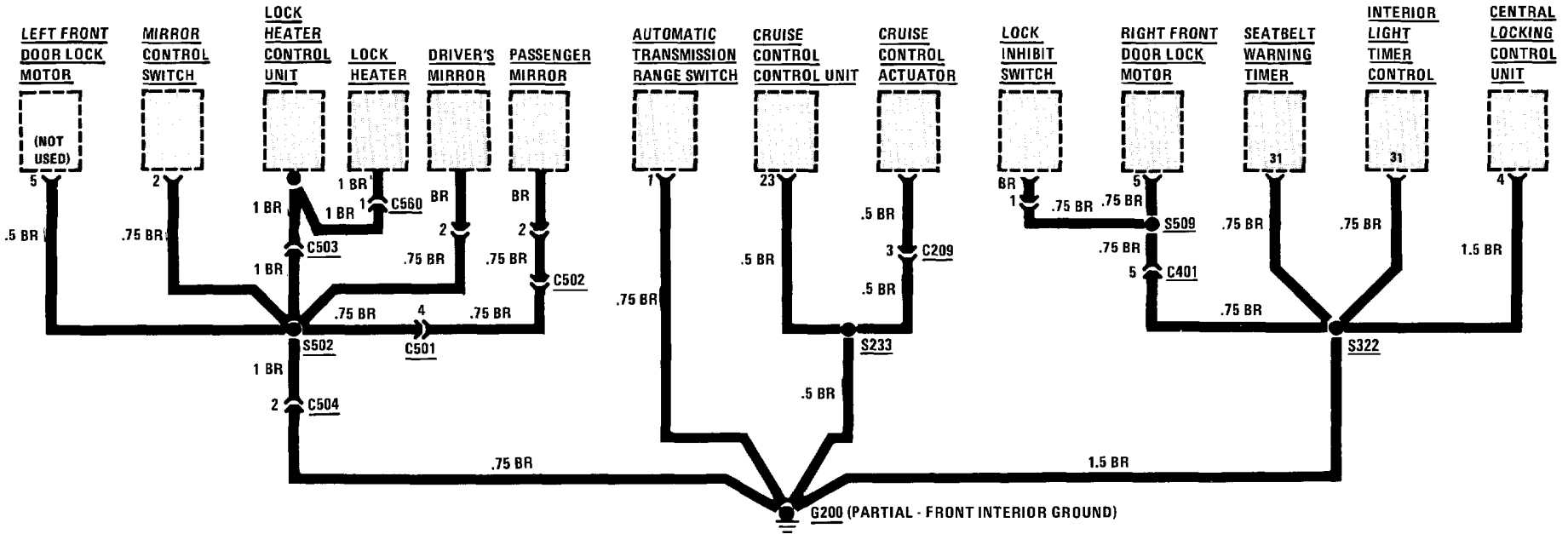
VENT STAGE AND FOOTWELL SOLENOID VALVE CONTROL 175

(For Component Locations See Page 202)

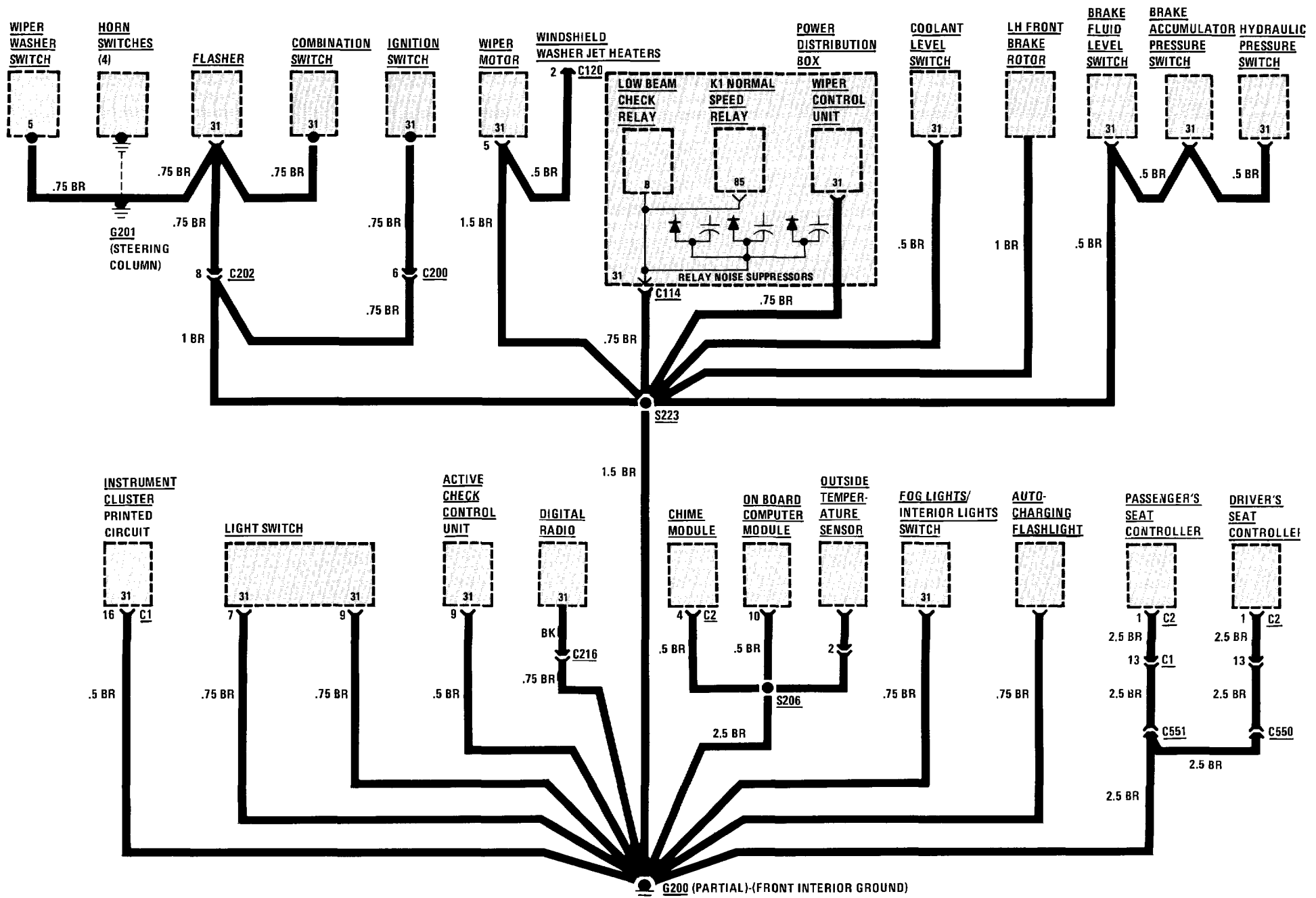


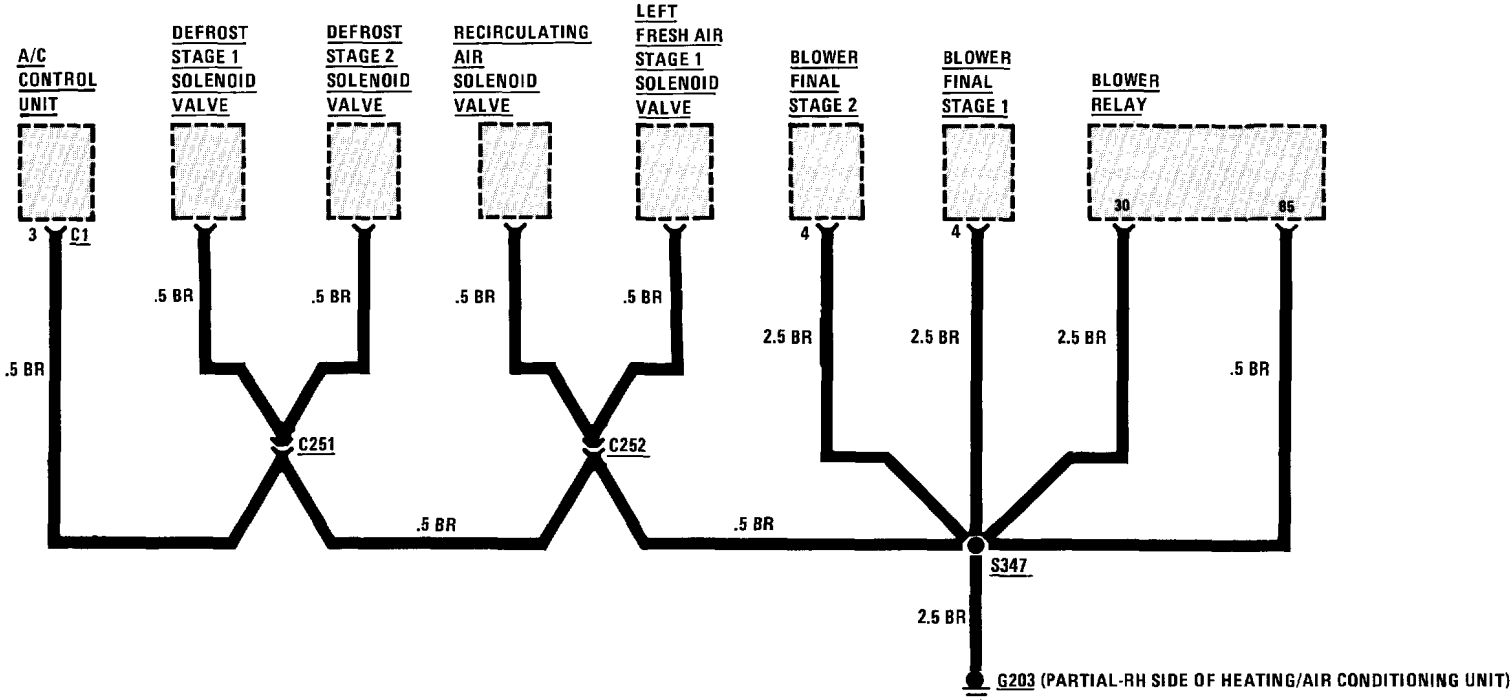
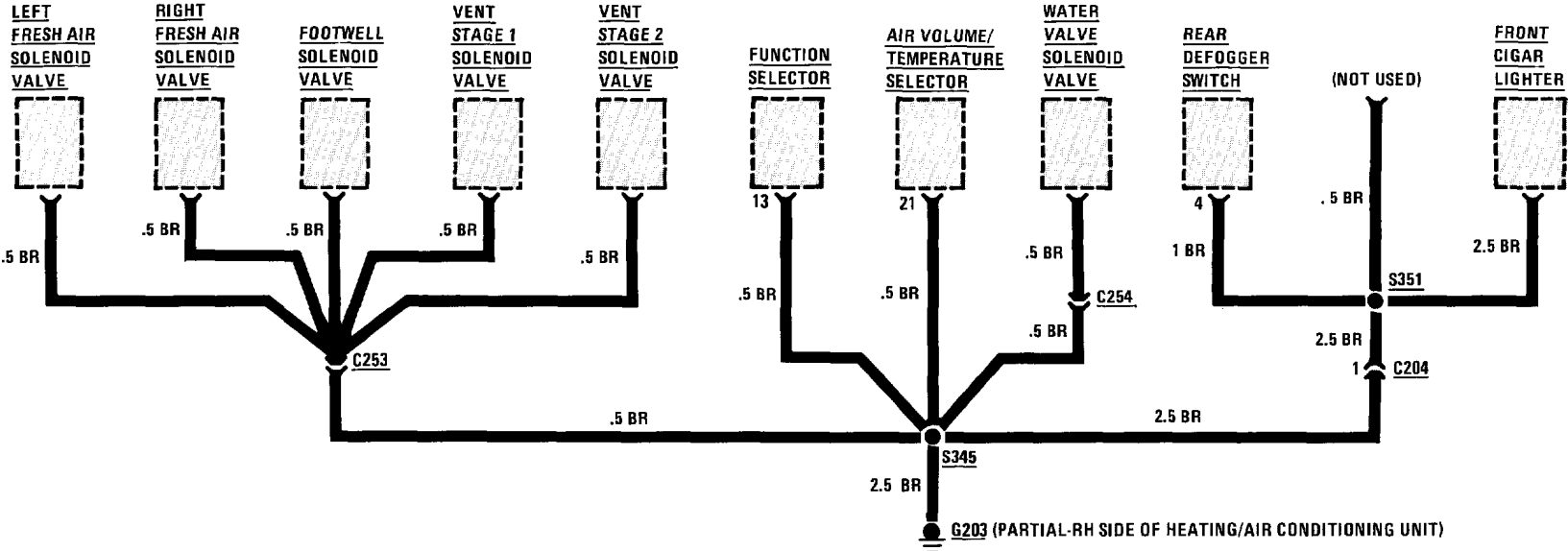
176 GROUND DISTRIBUTION (G103, G104)



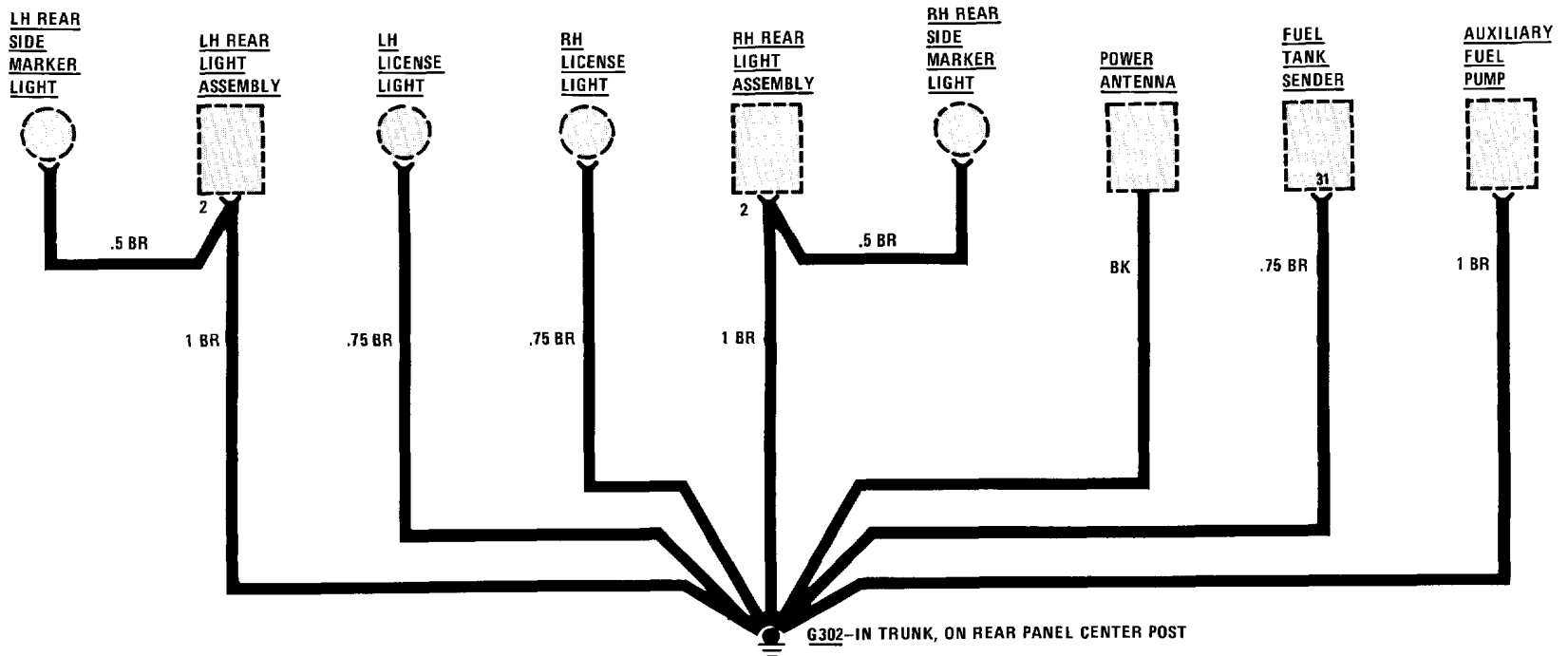
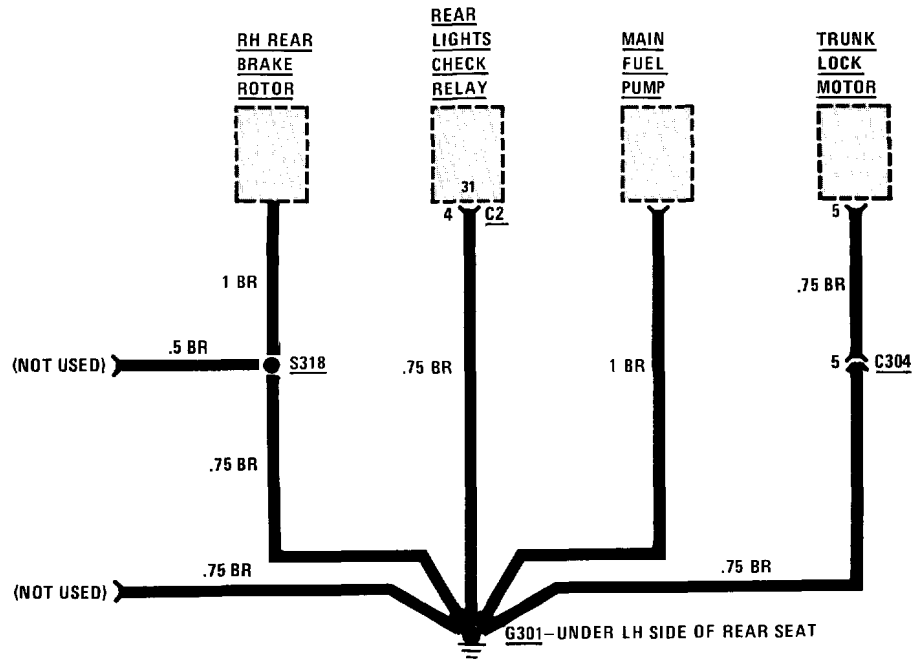


178 GROUND DISTRIBUTION (G200)





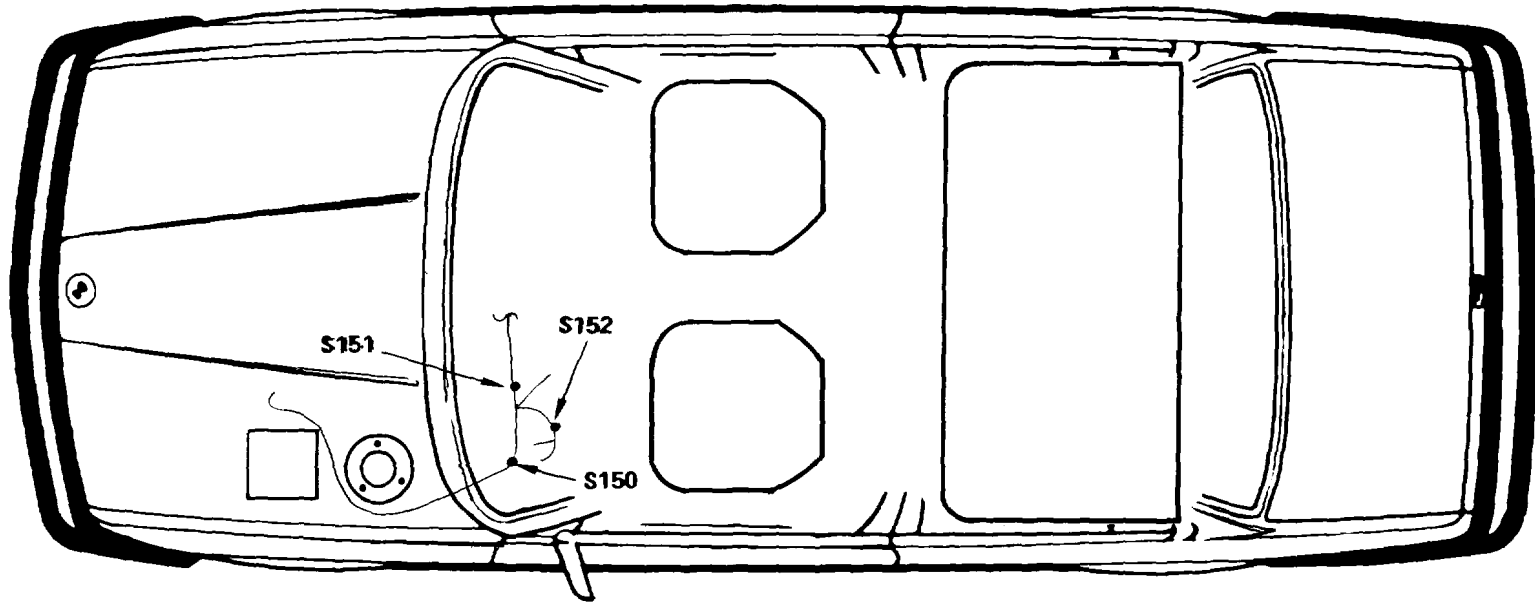
180 GROUND DISTRIBUTION (G301, G302)

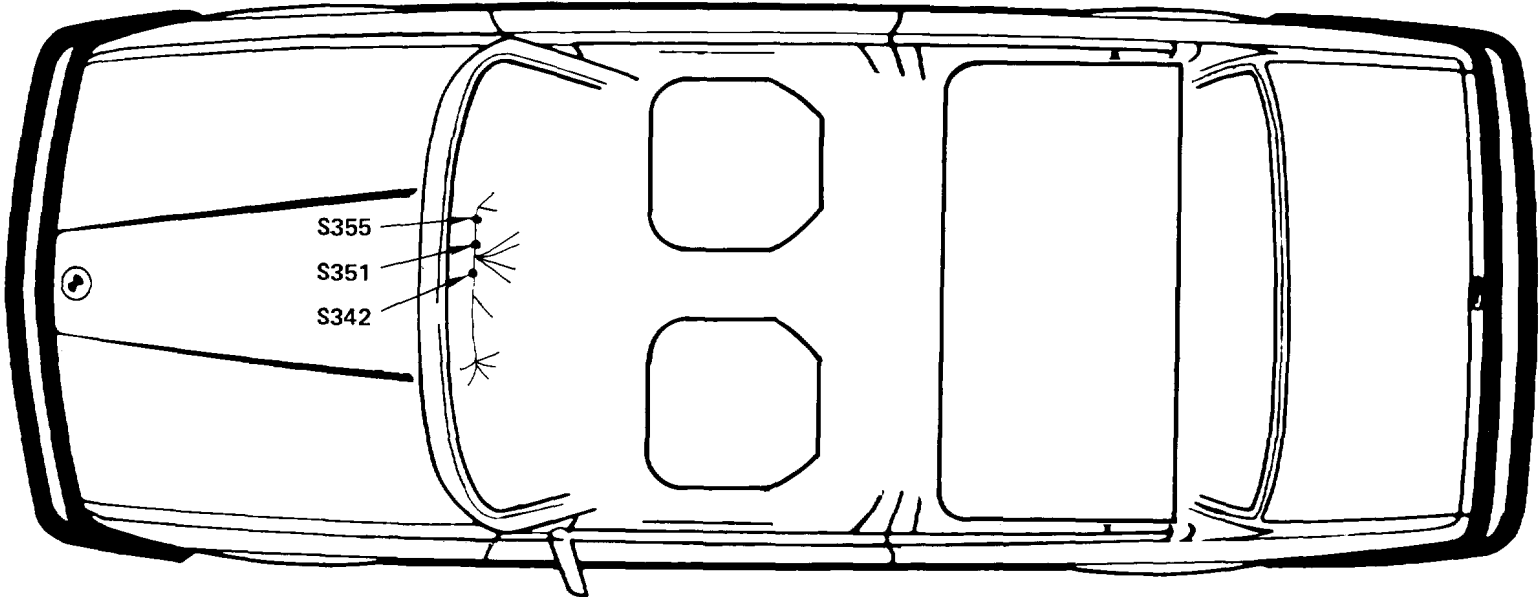


This index contains all the splices in the car, what harness each one is in, and the page that the splices appear on. The drawings after the index show how the harness is routed through the car and where the splices are located on the harness.

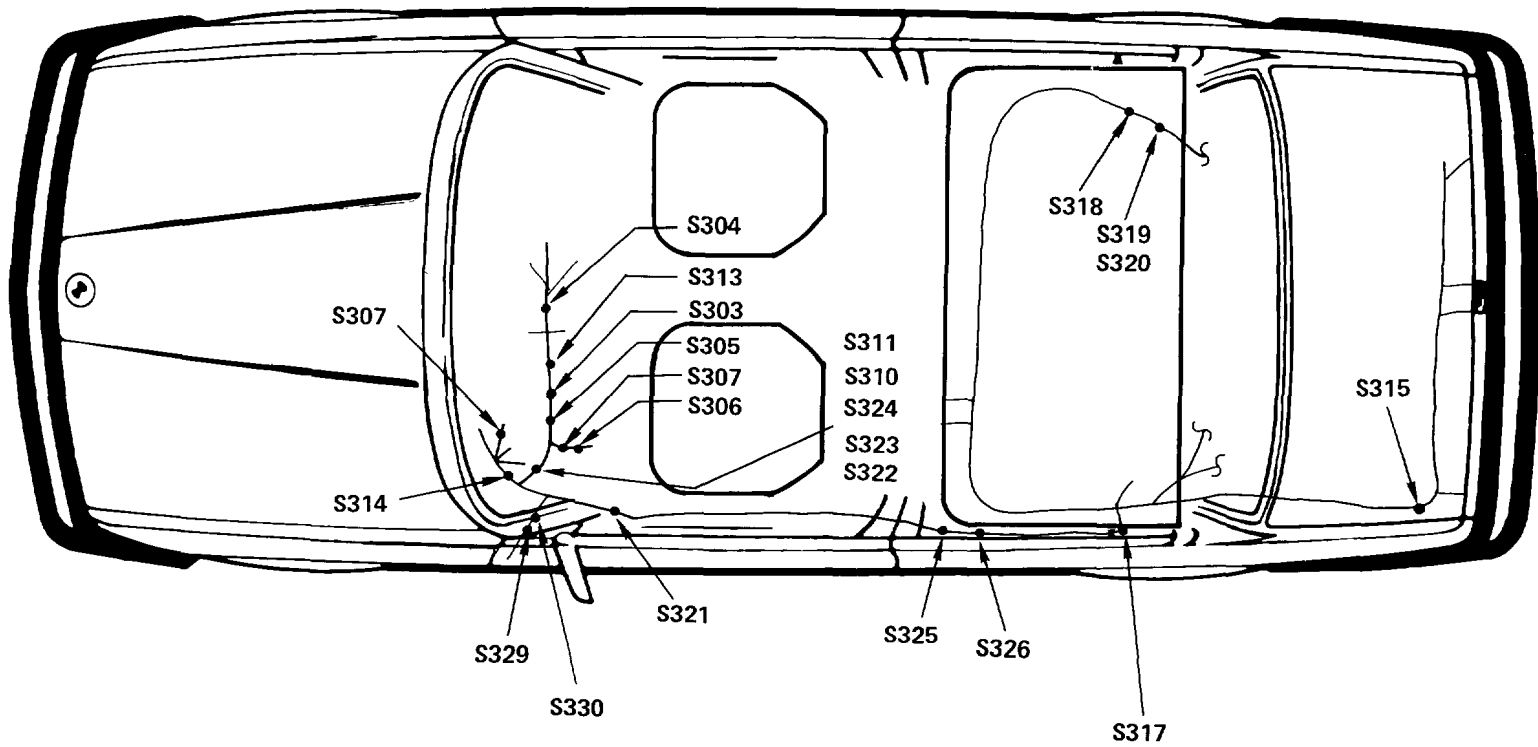
SPLICE	HARNESS	PAGE NUMBER	SPLICE	HARNESS	PAGE NUMBER	SPLICE	HARNESS	PAGE NUMBER
S100	FRONT	185	S231	MIDDLE	186	S329	REAR	184
S101	FRONT	185	S233	CRUISE CONTROL	NOT SHOWN	S330	REAR	184
S106	ENGINE	187				S342	A/C	183
S108	ENGINE	187				S351	A/C	183
S109	ENGINE	187	S241	CRUISE CONTROL	NOT SHOWN	S355	A/C	183
S110	ENGINE	187				S400	POWER WDO	NOT SHOWN
S150	ABS	182						
S151	ABS	182	S303	REAR	184			
S152	ABS	182	S304	REAR	184	S401	POWER WDO	NOT SHOWN
S201	MIDDLE	186	S305	REAR	184			
S203	MIDDLE	186	S306	REAR	184			
S204	MIDDLE	186	S307	REAR	184	S402	POWER WDO	NOT SHOWN
S205	MIDDLE	186	S310	REAR	184			
S206	B/C	NOT SHOWN	S311	REAR	184			
			S312	REAR	NOT SHOWN	S414	POWER WDO	NOT SHOWN
S207	MIDDLE	186						
S208	MIDDLE	186	S313	REAR	184			
S209	B/C	NOT SHOWN	S314	REAR	184	S502	DOOR	NOT SHOWN
			S315	REAR	184			
S210	MIDDLE	186	S317	REAR	184	S503	DOOR	NOT SHOWN
S211	MIDDLE	186	S318	REAR	184			
S212	MIDDLE	186	S319	REAR	184	S504	DOOR	NOT SHOWN
S213	MIDDLE	186	S320	REAR	184			
S214	B/C	NOT SHOWN	S321	REAR	184	S507	DOOR	NOT SHOWN
			S322	REAR	184			
S215	MIDDLE	186	S323	REAR	184	S510	DOOR	NOT SHOWN
S219	MIDDLE	186	S324	REAR	184			
S220	MIDDLE	186	S325	REAR	184	S600	SUNROOF	NOT SHOWN
S223	MIDDLE	186	S326	REAR	184			
S224	CRUISE CONTROL	NOT SHOWN	S327	REAR	NOT SHOWN	S601	SUNROOF	NOT SHOWN

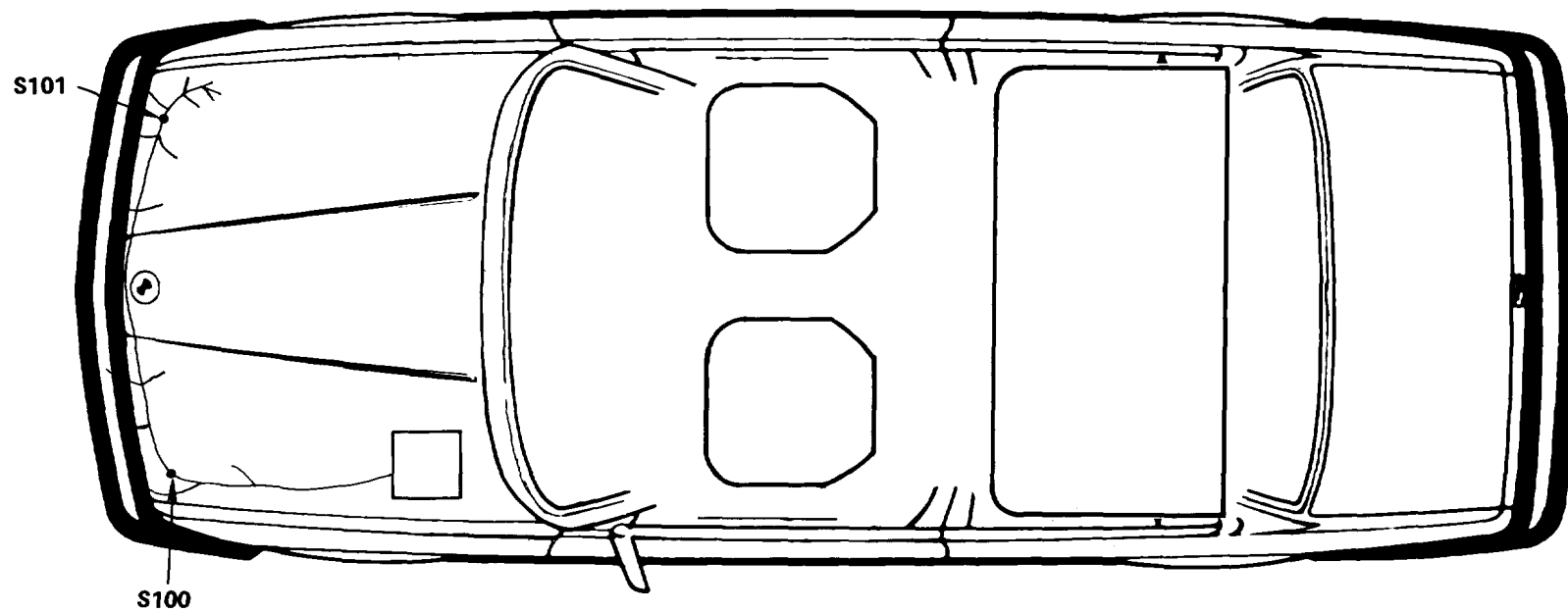
182 SPLICE LOCATIONS FOR ABS HARNESS

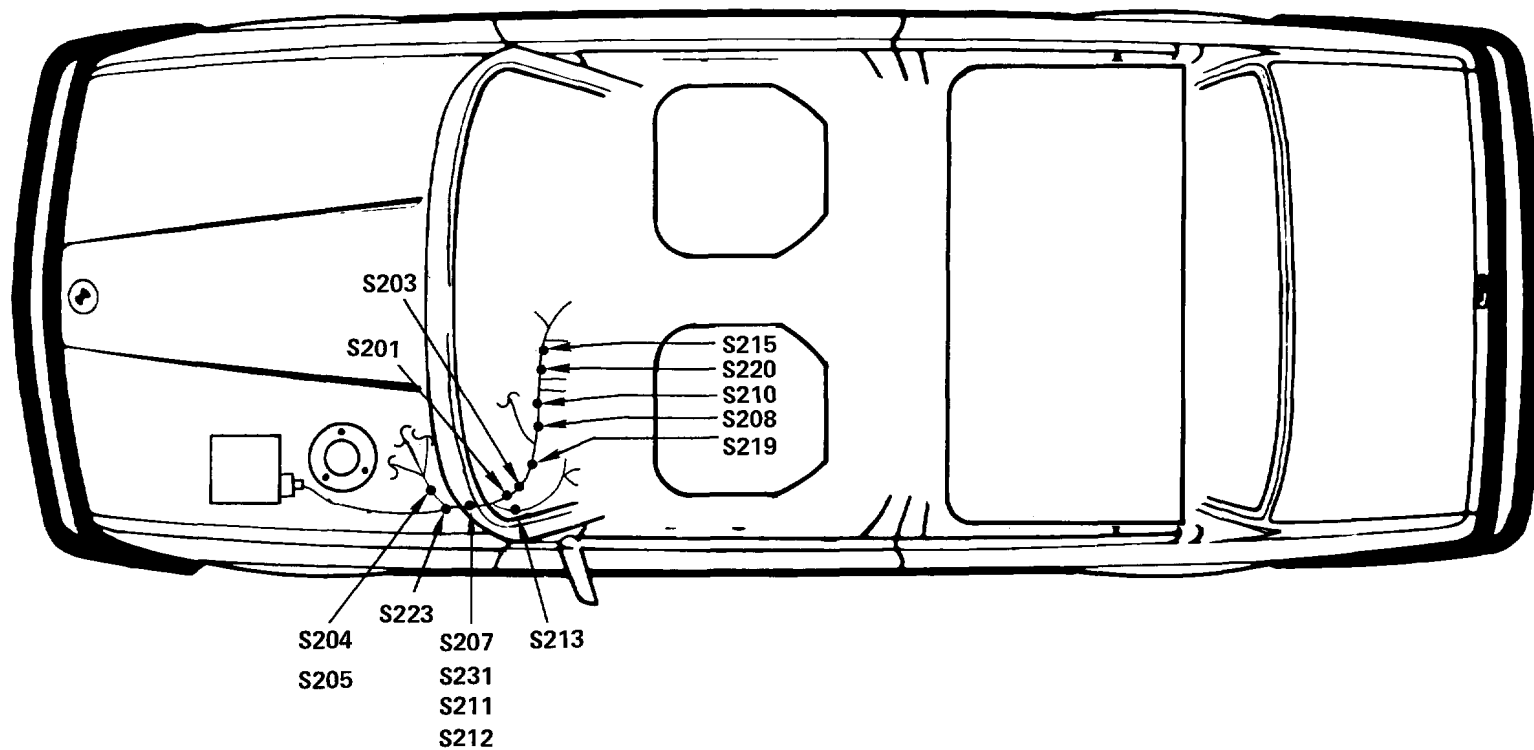


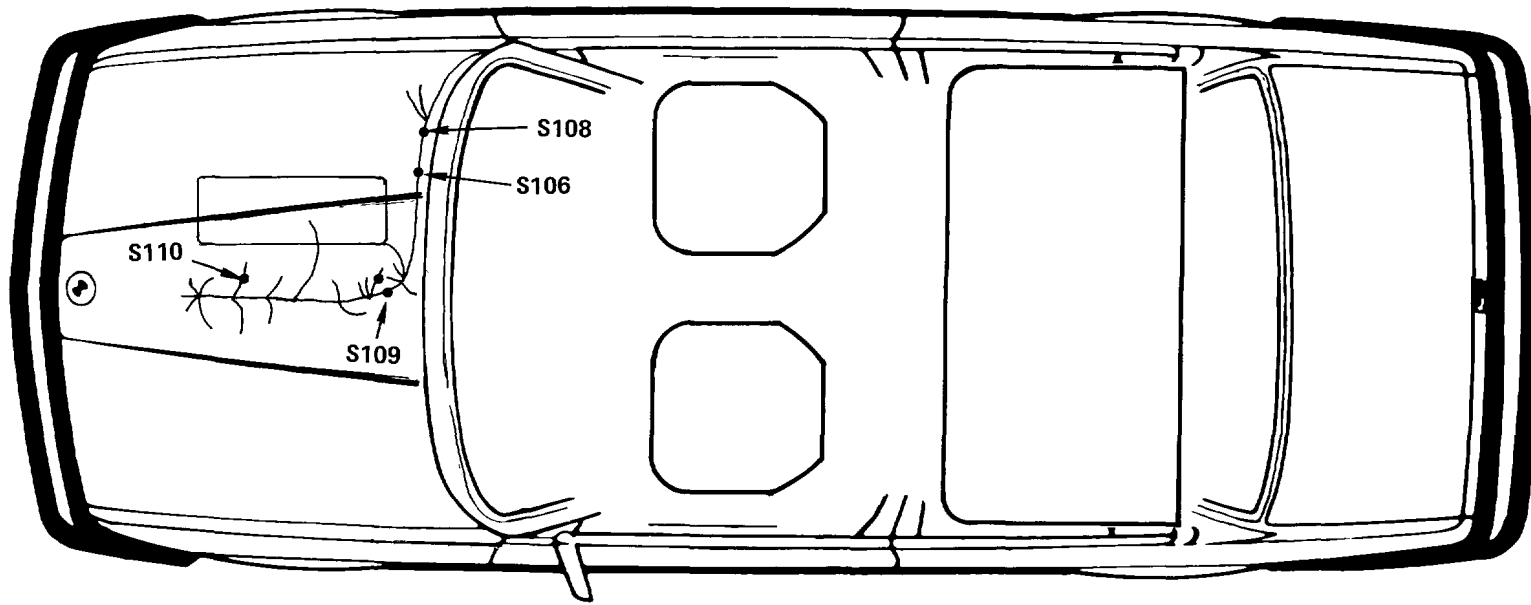


184 SPLICE LOCATIONS FOR REAR HARNESS









ACTIVE CHECK CONTROL

Active Check Control Unit.....		FIGURE	
Brake Switch	Above brake pedal		216-3
Coolant Level Switch	Top left side of coolant reservoir		209-1
Oil Level Sensor	Bottom of engine oil pan		
Power Distribution Box	Top front of left front wheel well		201-1
Rear Lights Check Relay	Under left side of rear seat		207-2
Seatbelt Warning Timer	On right side of body electrical connector		210-1
Washer Fluid Level Switch	Ahead of right front wheel well, in reservoir		216-2
C101 (17 pin)	On rear of power distribution box		
C102 (13 pin)	In power distribution box		
C205 (4 pin)	Under LH dash, on body electrical bracket		215-1
C206 (29 pin)	Under LH dash, on body electrical bracket		215-1
G104 (Main Body Ground)	On power distribution box bracket		201-1
G200 (Front Interior Ground) ..	On dash frame, left of steering column		203-1
G301 (Rear Interior Ground) ..	Under left side of rear seat		207-2

ANTI LOCK BRAKE SYSTEM (ABS)

ABS Electronic Control Unit	RH side of dash above glove box		
ABS Hydraulic Unit	LH side of engine compartment, near battery		
Brake Switch	Above brake pedal		
Ignition Switch	Upper part of steering column		
Power Distribution Box	Top front of left front wheel well		201-1
Rear Lights Check Relay	Under left side of rear seat		207 2
Speed Detector	Behind each wheel in wheel hub		
C101 (17 pin)	On rear of power distribution box		
C150 (1 pin)	On front dash behind LH front shock tower		
C151 (1 pin)	On front of dash behind RH front shock tower		
C200 (10 pin)	Under dash on left side of steering column		203 1
C206 (29 pin)	Under LH dash, on body electrical bracket		215-1
C302 (Accessory Connector)	Under LH dash, on body electrical bracket		
C351 (1 pin)	Under RH side of rear seat		
C352 (1 pin)	Under LH side of rear seat		
G104 (Main Body Ground)	On power distribution box bracket		201 1
G202	Center console		
G302 (Trunk Ground)	In trunk, on rear panel center support		208 1

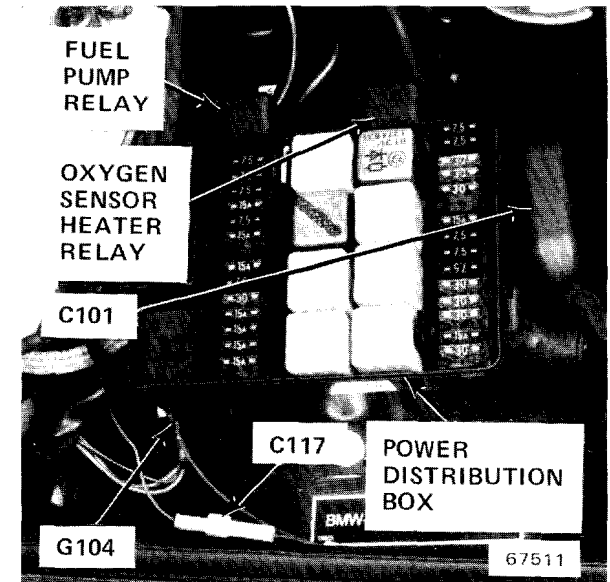


Figure 1 - Top Of Left Front Wheel Well

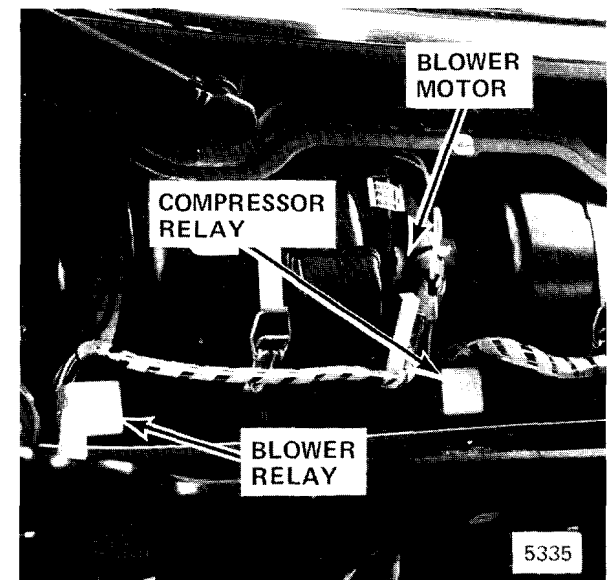
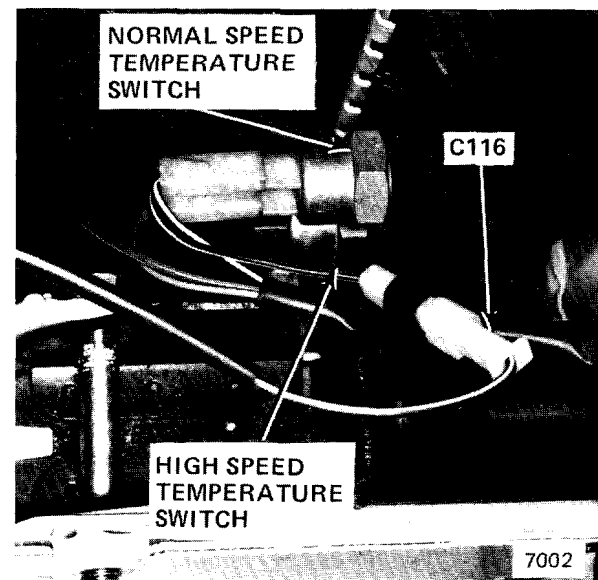
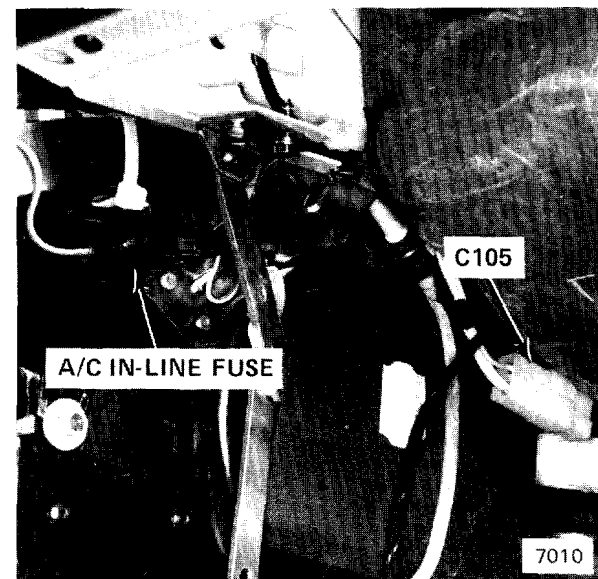


Figure 2 - Under Center Of Front Air Intake Cowl

AUTOMATIC HEATER-AIR CONDITIONER

		FIGURE
A/C Control Unit	Left side of evaporator housing	215-2
A/C In-Line Fuse	Below dash, right of console	202-1
Air Inlet Temp. Sensor	Under center of fresh air intake cowl	213-5
Blower Final Stage 1	In right blower fan housing	204-1
Blower Final Stage 2	In left blower fan housing	204-1
Blower Motor	Under center of fresh air intake cowl	201-2
Blower Relay	Under center of fresh air intake cowl	201-2
Compressor Relay	Under center of fresh air intake cowl	201-2
Coolant Temperature Sender/ Switch	Front of engine, on thermostat housing	211-2
Defrost Stage 1 Solenoid Valve	Left side of evaporator housing	
Defrost Stage 2 Solenoid Valve	Left side of evaporator housing	
Diagnostic Connector	Top middle of engine	101-1
Evaporator Temp. Switch	On support stand for blower motor	
Footwell Solenoid Valve	Behind center console	
High Pressure Cut-Out Switch ..	On receiver-dryer, below washer reservoir	209-2
In-Car Temp. Sen./Rear Pass. Area	Center of dash, in console	205-2
LH Fresh Air Stage 1 Sol. Valve	Behind center console	
LH Fresh Air Stage 2 Sol. Valve	Left side of evaporator housing	
Low Pressure Cutout Switch ..	On receiver-dryer, below washer reservoir	209-2
Power Distribution Box	Top front of left front wheel well	201-1
Rear Pass. Area Solenoid Valve	Behind center console	
Recirculating Air Solenoid Valve	Left side of evaporator housing	
RH Fresh Air Solenoid Valve	Behind center console	
Vent Stage 1 Solenoid Valve ..	Behind center console	
Vent Stage 2 Solenoid Valve ..	Behind center console	
Water Valve Solenoid Valve ...	Right side of evaporator housing	
C101 (17 pin)	On rear of power distribution box	
C105 (2 pin)	Left of glove box hinge	202-1
C106 (1 pin)	On hose, above receiver-dryer	209-2
C204 (6 pin)	Behind center console	214-6
C221 (12 pin)	Below dash, right of console	214-6
C222 (1 pin)	Under LH side of dash near accessory connector	
C243 (1 pin)	Behind center console	
C251 (1 pin)	Behind center console	
C252 (1 pin)	Behind center console	
C253 (1 pin)	Behind center console	
C254 (1 pin)	Behind center console	
G203	On RH side of heater/air conditioning unit	

FIGURE



AUXILIARY FAN/VACUUM PUMP

FIGURE

High Speed Temperature Switch	Lower right side of radiator (red terminals)	202-2
Normal Speed Blower Resistor	Ahead of radiator, on auxiliary fan shield	
Normal Speed Temperature Switch	Lower right side of radiator (white terminals)	202-2
Power Distribution Box	Top front of left front wheel well	201-1
Vacuum Pump	Right of left front shock tower	
C102 (13 pin)	In power distribution box	
C113 (3 pin)	On auxiliary fan shield	
C116 (1 pin)	Near lower right side of radiator	202-1
C117 (1 pin)	Behind left hand side of battery	201-1
G104 (Main Body Ground)	On power distribution box bracket	201-1
G200 (Front Interior Ground)	On dash frame, left of steering column	203-1

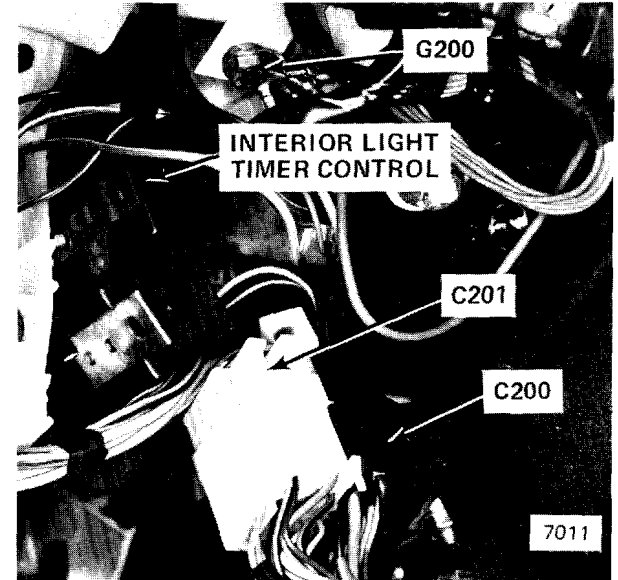


Figure 1 - Behind Dash, Left Of Steering Column

BACKUP LIGHTS

Auto. Trans. Range Switch	On left side of shift lever	
Backup Light Switch	On left side of manual transmission	
Power Distribution Box	Top front of left front wheel well	201-1
C207 (2 pin)	Under LH side of dash near body electrical bracket	
C301 (2 pin)	In center console, ahead of shift lever	
G302 (Trunk Ground)	In trunk, on rear panel center support	208-1

BRAKE LINING WARNING

Power Distribution Box	Top front of left front wheel well	201-1
C206 (29 pin)	Under LH dash, on body electrical bracket	215-1
G200 (Front Interior Ground)	On dash frame, left of steering column	203-1
G301 (Rear Interior Ground)	Under left side of rear seat	207-2

CENTER CONSOLE LIGHTS

Power Distribution Box	Top front of left front wheel well	201-1
C204 (6 pin)	Behind center console	214-6
C221 (12 pin)	Below dash, right of console	214-6
G200 (Front Interior Ground)	On dash frame, left of steering column	203-1
G203	On RH side of heater/air conditioning unit	

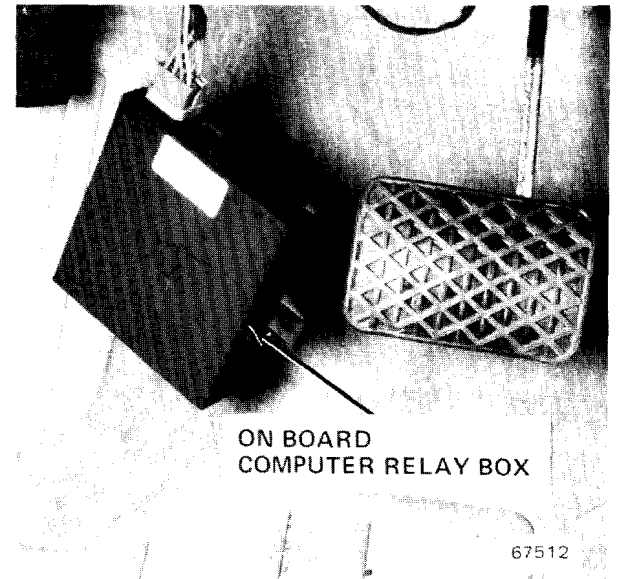
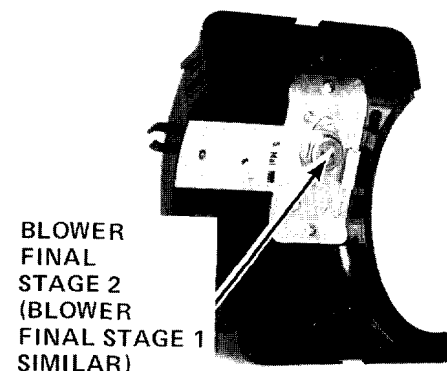


Figure 2 - Right Of Brake Pedal, Below Dash

CENTRAL LOCKING

FIGURE

Central Locking Control Unit ..	Under dash, above left front speaker grill	
Door Lock Motors.....	In each door	
Gas Filler Lock Motor	In trunk, behind left rear wheel well	214-5
Ignition Switch.....	Upper part of steering column	
Lock Inhibit Switch	In passenger's door at lock cylinder	
Power Distribution Box	Top front of left front wheel well	201-1
Trunk Lock Motor	In trunk lid, near trunk lock	
Unlock Inhibit Switch	In driver's door at lock cylinder	
C200 (10 pin).....	Under dash, on left side of steering column	203-1
C206 (29 pin).....	Under LH dash, on body electrical bracket.....	215-1
C302 (Accessory Connector) ..	Under LH dash, on body electrical bracket.....	155-1
C304 (7 pin)	Ahead of left trunk hinge	210-2
C400 (7 pin)	Under LH dash, near body electrical bracket	
C401 (7 pin)	Under right side of dash, right of glove box	214-2
C409 (3 pin)	In right center pillar	
C410 (3 pin)	In left center pillar	
C504 (2 pin)	Under dash, above trunk release lever.....	215-1
G200 (Front Interior Ground)...	On dash frame, left of steering column.....	203-1
G301 (Rear Interior Ground) ...	Under left side of rear seat	207-2



5327

Figure 1 - Removed Left Blower Fan Housing Cover

CHARGING SYSTEM

ABS Electronic Control Unit	RH side of dash above glove box	
Diagnostic Connector.....	Top middle of engine.....	101-1
Ignition Switch	Upper part of steering column	
Power Distribution Box.....	Top front of left front wheel well	201-1
Starter	Lower rear left side of engine	
C101 (17 pin).....	On rear of power distribution box	
C200 (10 pin).....	Under dash, on left side of steering column	203-1
C206 (29 pin).....	Under LH dash, on body electrical bracket.....	215-1
C302 (Accessory Connector) ..	Under LH dash, on body electrical bracket.....	155-1
G104 (Main Body Ground)....	On power distribution box bracket	201-1

**CIGAR LIGHTER/GLOVE BOX LIGHT/
AUTO-CHARGING FLASHLIGHT**

Glove Box Light Switch	Under right side of dash, above glove box	
Power Distribution Box	Top front of left front wheel well	201-1
C204 (6 pin)	Behind center console	214-6
C206 (29 pin).....	Under LH dash, on body electrical bracket.....	215-1
C221(12 pin).....	Below dash, right of console	214-6
G200 (Front Interior Ground) ..	On dash frame, left of steering column.....	203-1
G202	Center console	
G203	On RH side of heater/air conditioning unit	

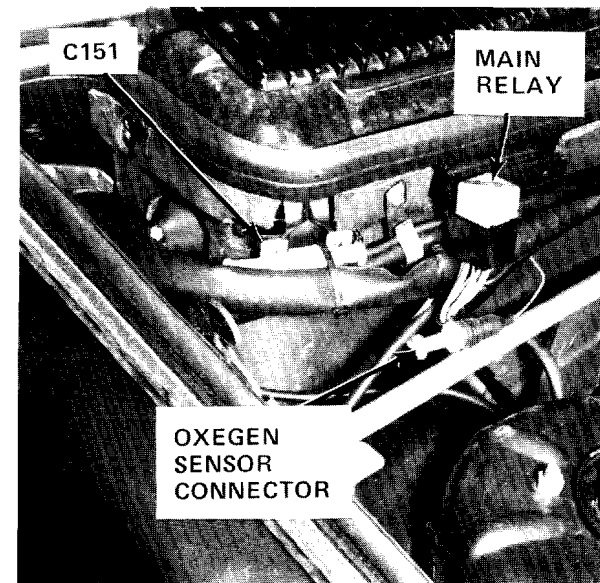


Figure 2 - Behind Right Front Shock Tower

FUEL CONTROL

		FIGURE
Air Flow Meter.....	Top right of engine	206-2
Diagnostic Connector.....	Top middle of engine.....	101-1
Engine Speed Sensor	On transmission bell housing	
Motronic Control Unit.....	Behind right front speaker	211-1
Oxygen Sensor	Rear of engine, in exhaust manifold.....	204-2
Oxygen Sensor Heater Relay.....	On power distribution box	
Power Distribution Box.....	Top front of left front wheel well	201-1
Reference Point Sensor	On transmission bell housing.....	206-2
C101 (17 pin).....	On rear of power distribution box	
C103 (6 pin).....	Behind right front speaker	
C141 (3 pin).....	Behind RH front shock tower	
G103 (Engine Ground).....	Top rear of engine	206-2
G104 (Main Body Ground).....	On power distribution box bracket	

FUEL DELIVERY/FUEL CONTROL/IDLE SPEED CONTROL

Auxiliary Fuel Pump	Top left side of fuel tank, under trunk.....	214-4
Diagnostic Connector.....	Top middle of engine.....	101-1
Fuel Pump Relay	On right side of power distribution box	201-1
Idle Speed Actuator	Rear middle of engine compartment	
Ignition Switch.....	Upper part of steering column	
Main Fuel Pump	Under car, ahead of left rear axle	
Main Relay	Behind right front shock tower	204-2
Motronic Control Unit	Behind right front speaker	211-1
On-Board Computer Relay Box ...	Mounted under LH side of dash	
Power Distribution Box	Top front of left front wheel well	201-1
TDC Sensor	Above crank shaft vibration damper	
C101 (17 pin).....	On rear of power distribution box	

FIGURE

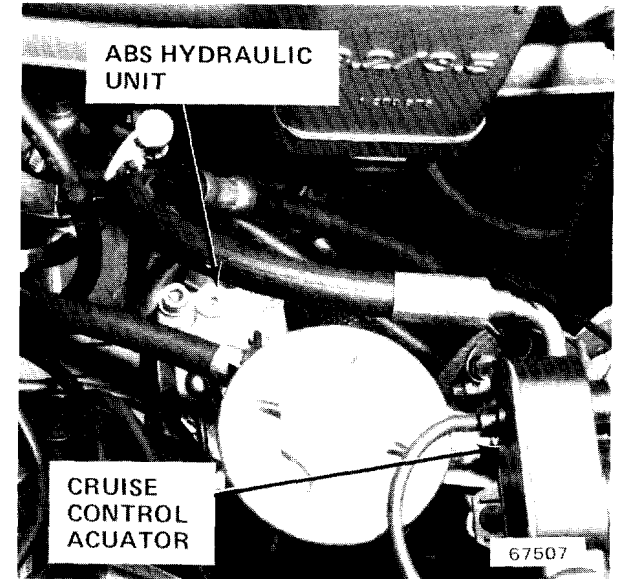
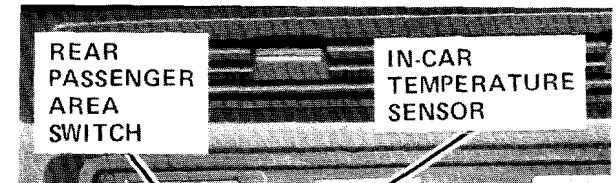


Figure 1 - Behind RH Side Of Battery



HEADLIGHTS (CONTROL/POWER)/FOG LIGHTS (CONTROL/POWER) FIGURE

Combination Switch	Upper left side of steering column	206-1
Flasher	Upper left side of steering column	206-1
Fog Lights/Interior Lights Switch	On dash, to right of steering column	
Ignition Switch	Upper part of steering column	
Power Distribution Box	Top front of left front wheel well	201-1
C102 (13 pin)	In power distribution box	
C106 (2 pin)	Taped to harness behind RH headlights	
C107 (2 pin)	Taped to harness, left of battery	
C202 (13 pin)	Under dash, on left side of steering column	210-1
C206 (29 pin)	Under LH dash, on body electrical bracket	215-1
G104 (Main Body Ground)	On power distribution box bracket	201-1
G200 (Front Interior Ground) ..	On dash frame, left of steering column	203-1
G201 (Column Ground)	Upper left side of steering column	206-1

HORN/HEATED DOOR LOCK

Horn Brush/Slip Ring	Under hub of steering wheel	
Horn Switches	Under hub of steering wheel	
Lock Heater	In left front door	
Lock Heater Control Unit	In left front door	207-1
Power Distribution Box	Top front of left front wheel well	201-1
C202 (13 pin)	Under dash, on left side of steering column	210-1
C206 (29 pin)	Under LH dash, on body electrical bracket	215-1
C400 (7 pin)	Under LH dash, near body electrical bracket	
C503 (8 pin)	In driver's door	
C504 (2 pin)	Under dash, above trunk release lever	215-1
C560 (2 pin)	In driver's door	
G104 (Main Body Ground)	On power distribution box bracket	201-1
G200 (Front Interior Ground) ..	On dash frame, left of steering column	203-1
G201 (Column Ground)	Upper left side of steering column	206-1

IGNITION/FUEL CONTROL

Automatic Transmission Switch ..	On left side of shift lever	
Coolant Temperature Sensor	Front of engine, top of thermostat housing	
Diagnostic Connector	Top middle of engine	101-1
Ignition Coil	On right fender, behind headlights	
Ignition Switch	Upper part of steering column	
Motronic Control Unit	Behind right front speaker	211-1
Power Distribution Box	Top front of left front wheel well	201-1

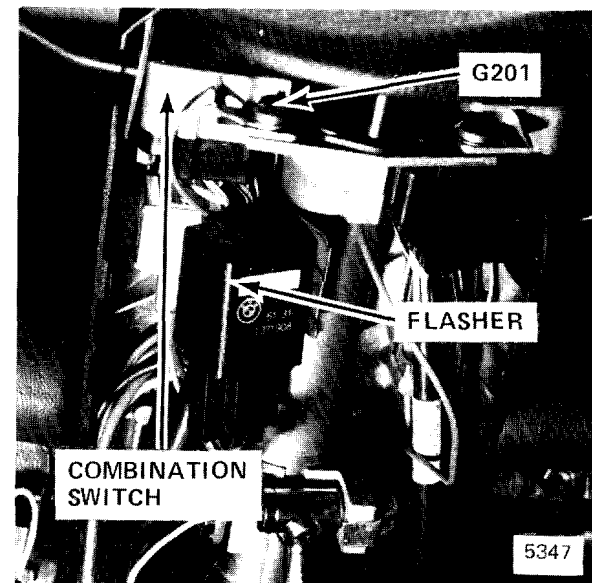


Figure 1 - Upper Underside Of Steering Column

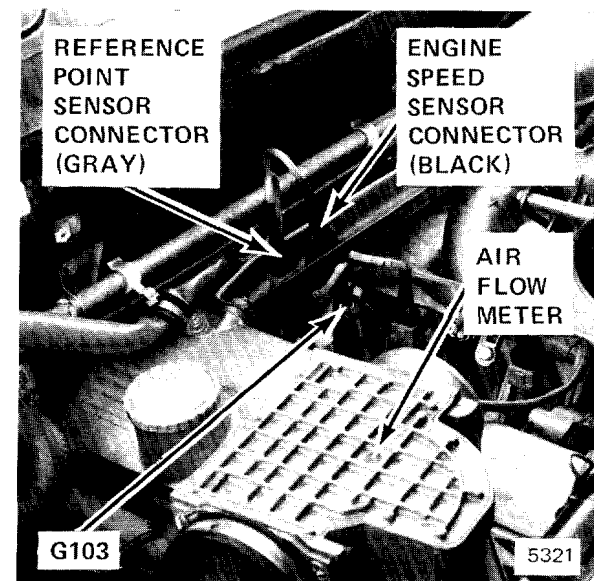


Figure 2 - Top Rear Of Engine

(continued)

Throttle Switch	Top LH side of engine, below throttle body	
C101 (17 pin)	On rear of power distribution box	
C109 (1 pin)	Taped to harness, near ignition coil	
C131 (1 pin)	Behind right front speaker, near Motronic control unit	
C132 (1 pin)	Behind right front speaker, near Motronic control unit	
C200 (10 pin)	Under dash, on left side of steering column	203-1
G103 (Engine Ground)	Top rear of engine	206-2

FIGURE

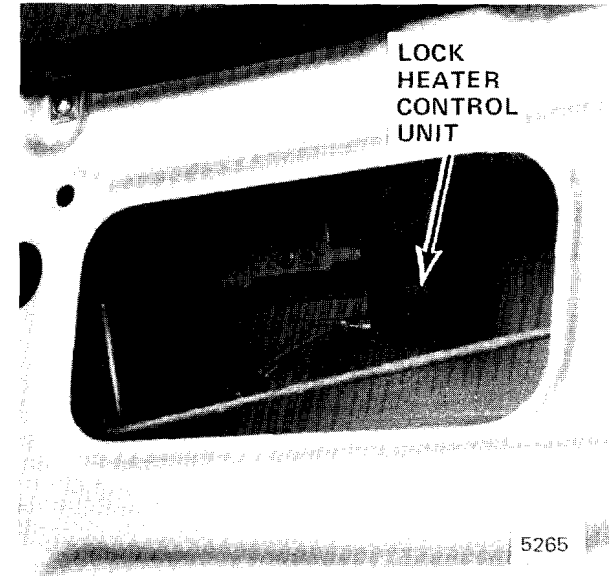


Figure 1 - Inside Driver's Door

IGNITION KEY WARNING/SEATBELT WARNING

Chime Module	Top center of dash, under grill	
Ignition Key Switch	In upper part of steering column	
Power Distribution Box	Top front of left front wheel well	201-1
Seatbelt Switch	In driver's seatbelt buckle	
Seatbelt Warning Timer	On right side of body electrical connector	210-1
C200 (10 pin)	Under dash, on left side of steering column	203-1
C203 (2 pin)	Upper left side of steering column	
C205 (4 pin)	Under LH dash, on body electrical bracket	155-1
C206 (29 pin)	Under LH dash, on body electrical bracket	215-1
G200 (Front Interior Ground) ..	On dash frame, left of steering column	203-1

INTERIOR LIGHTS

Fog Lights/Interior Lights Switch	On dash, to right of steering column	
Interior Light Timer Control ...	On right side of body electrical connector	203-1
Lock Heater Control Unit	In left front door	207-1
Power Distribution Box	Top front of left front wheel well	201-1
C206 (29 pin)	Under LH dash, on body electrical bracket	215-1
C302 (Accessory Connector) ...	Under LH dash, on body electrical bracket	155-1
C303 (2 pin)	In headliner, above LH dome light	
C503 (8 pin)	In driver's door	
C504 (2 pin)	Under dash, above trunk release lever	215-1
G200 (Front Interior Ground) ..	On dash frame, left of steering column	203-1

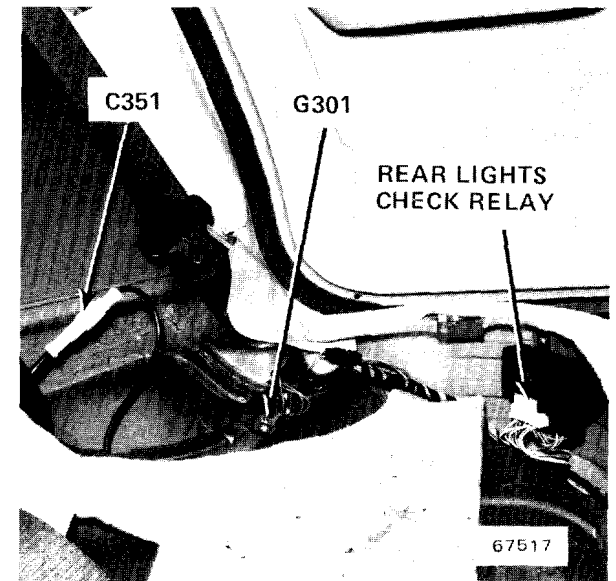


Figure 2 - Under Left Side Of Rear Seat

208 COMPONENT LOCATIONS

LIGHTS: FRONT PARK/TAIL/UNDERHOOD

FIGURE

Power Distribution Box	Top front of left front wheel well	201-1
Rear Lights Check Relay	Under left side of rear seat	207-2
Underhood Light Switch	Under RH rear corner of hood, near latchplate	
C102 (13 pin)	In power distribution box	
C110 (1 pin)	Behind right headlights	
C206 (29 pin)	Under LH dash, on body electrical bracket.....	215-1
G104 (Main Body Ground)	On power distribution box bracket	201-1
G301 (Rear Interior Ground)...	Under left side of rear seat	207-2
G302 (Trunk Ground).....	In trunk, on rear panel center support.....	208-1

LIGHTS: REAR MARKER/LICENSE/TRUNK

Power Distribution Box	Top front of left front wheel well	201-1
Rear Lights Check Relay	Under left side of rear seat	207-2
Trunk Light Switch	In trunk lid, near trunk lock	
C206 (29 pin)	Under LH dash, on body electrical bracket.....	215-1
C300 (1 pin)	Ahead of left trunk hinge	210-2
C302 (Accessory Connector) ..	Under LH dash, on body electrical bracket.....	155-1
C304 (7 pin)	Ahead of left trunk hinge	210-2
G301 (Rear Interior Ground)	Under left side of rear seat	207-2
G302 (Trunk Ground)	In trunk, on rear panel center support.....	208-1

LIGHTS: RH VISOR/DASH/TRANSMISSION RANGE

Auto. Trans. Range Switch	On left side of shift lever	
Fog Lights/Interior Lights Switch	On dash, to right of steering column	
Power Distribution Box	Top front of left front wheel well	201-1
C206 (29 pin)	Under LH dash, on body electrical bracket.....	215-1
C255 (1 pin)	Under right side of dash, right of glove box	214-2
C301 (2 pin)	In center console, ahead of shift lever	
C305 (2 pin)	Near left tail light assembly	
C306 (2 pin)	Near right tail light assembly	
G200 (Front Interior Ground) ..	On dash frame, left of steering column.....	203-1
G202	Center console	
G306	Top of right A pillar	

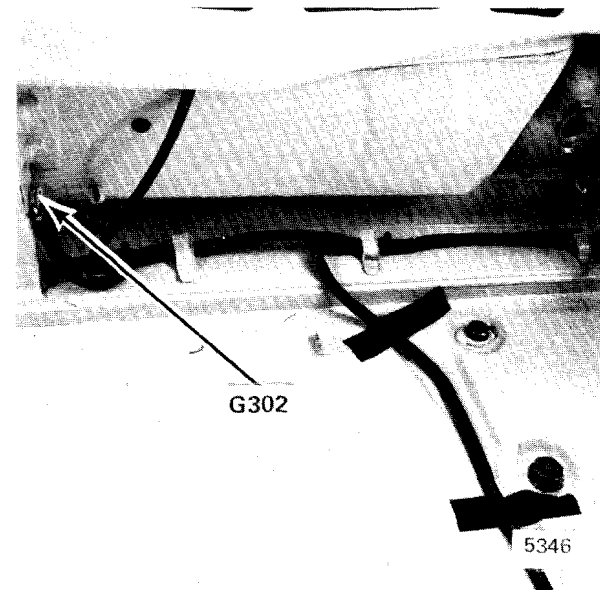


Figure 1 - Left Rear Left Side Of Trunk

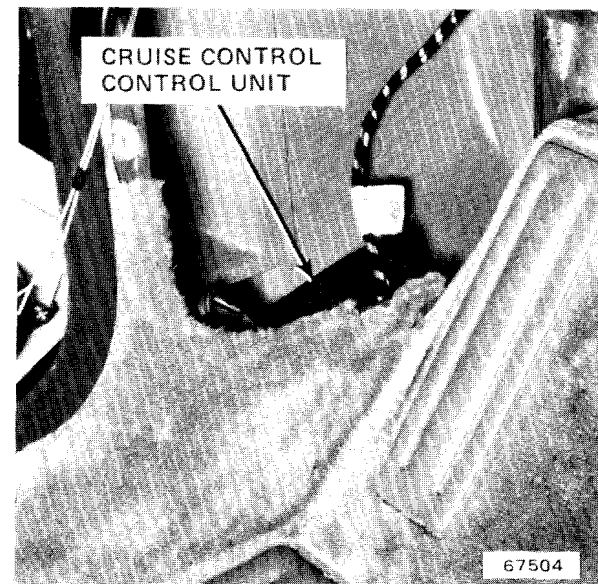


Figure 2 - Behind Left Front Speaker

LIGHTS: TURN/HAZARD WARNING

FIGURE

Combination Switch	Upper left side of steering column	206-1
Flasher	Upper left side of steering column	206-1
Ignition Switch	Upper part of steering column	
Power Distribution Box	Top front of left front wheel well	201-1
C102 (13 pin)	In power distribution box	
C200 (10 pin)	Under dash, on left side of steering column	203-1
C202 (13 pin)	Under dash, on left side of steering column	210-1
C206 (29 pin)	Under LH dash, on body electrical bracket	215-1
G104 (Main Body Ground)	On power distribution box bracket	201-1
G200 (Front Interior Ground) ..	On dash frame, left of steering column	203-1
G201 (Column Ground)	Upper left side of steering column	206-1
G302 (Trunk Ground)	In trunk, on rear panel center support	208-1

ON-BOARD COMPUTER

Chime Module	Top center of dash, under grill	
Fuel Tank Sender Switch	Top left side of fuel tank under trunk	214-4
Ignition Switch	Upper part of steering column	
Main Relay	Behind right front shock tower	204-2
Motronic Control Unit	Behind right front speaker	211-1
On-Board Computer Alarm Horn ..	Under RH side of coolant reservoir	
On-Board Computer Horn Diode ..	Under RH side of coolant reservoir	
On-Board Computer Relay Box ...	Under left side of dash	
Outside Temperature Sensor ..	Under front bumper, left side	
Power Distribution Box	Top front of left front wheel well	201-1
C103 (6 pin)	Behind right front speaker	211-1
C200 (10 pin)	Under dash, on left side of steering column	203-1
C206 (29 pin)	Under LH dash, on body electrical bracket	215-1
C212 (1 pin)	Under left side of dash, near steering column	
C235 (1 pin)	Under left side of dash, near steering column	
C237 (3 pin)	Behind brake fluid reservoir	
C302 (Accessory Connector) ..	Under LH dash, on body electrical bracket	155-1
G103 (Engine Ground)	Top rear of engine	206-2
G104 (Main Body Ground)	On power distribution box bracket	201-1
G200 (Front Interior Ground) ..	On dash frame, left of steering column	203-1
G302 (Trunk Ground)	In trunk, on rear panel center support	

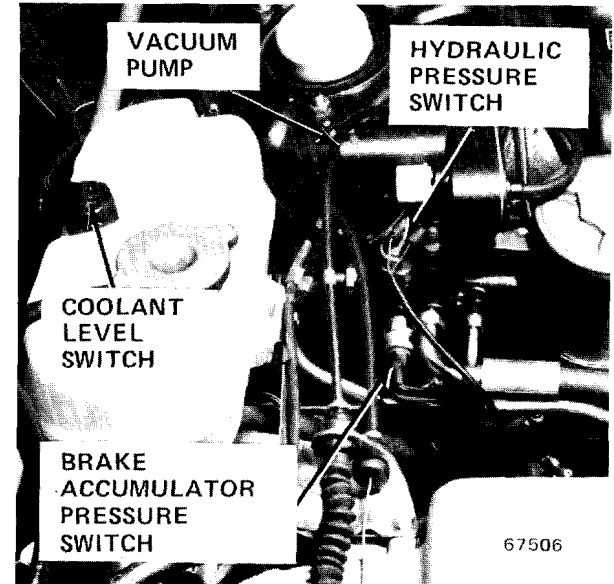


Figure 1 - Left Rear Of Engine Compartment

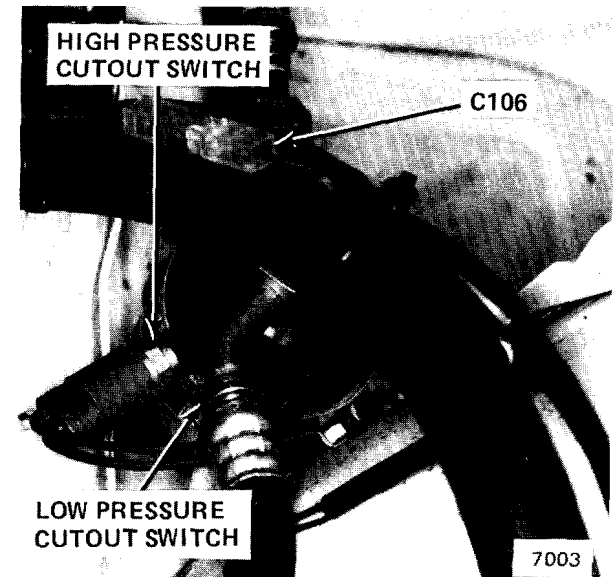


Figure 2 - Behind Right Headlights

210 COMPONENT LOCATIONS

POWER DISTRIBUTION

		FIGURE
Diagnostic Connector.....	Top middle of engine.....	101-1
Ignition Switch.....	Upper part of steering column.	
Power Distribution Box	Top front of left front wheel well	201-1
Starter	Lower rear left side of engine	
C200 (10 pin).....	Under dash, on left side of steering column	203-1
C206 (29 pin).....	Under LH dash, on body electrical bracket.....	215-1
C221 (12 pin).....	Below dash, right of console	214-6
C302 (Accessory Connector) ..	Under LH dash, on body electrical bracket.....	155-1
G104 (Main Body Ground)	On power distribution box bracket	201-1
G200 (Front Interior Ground)..	On dash frame, left of steering column.....	203-1

POWER MIRRORS

Power Distribution Box	Top front of left front wheel well	201-1
C206 (29 pin).....	Under LH dash, on body electrical bracket.....	215-1
C501 (5 pin)	Under dash, left of steering column	155-1
C502 (5 pin)	Under right side of dash, right of glove box.....	214-2
C504 (2 pin)	Under dash, above trunk release lever	215-1
G200 (Front Interior Ground)..	On dash frame, left of steering column.....	203-1

POWER SEATS (See page 216)

POWER WINDOWS

Power Distribution Box	Top front of left front wheel well	201-1
Power Window Circuit Breaker	On LH under dash cover	
Power Window Relay	Under LH dash, above trunk release lever	216-1
Window Motors	In each door	
C206 (29 pin).....	Under LH dash, on body electrical bracket.....	215-1
C222 (1 pin)	Under LH side of dash near accessory connector	
C302 (Accessory Connector) ..	Under LH dash, on body electrical bracket.....	155-1
C402 (2 pin)	In left center pillar	
C403 (2 pin)	In right center pillar	
C404 (1 pin)	In left center pillar	
C405 (1 pin)	In right center pillar	
C406 (3 pin)	Behind center console	
C407 (2 pin)	Under right side of dash, right of glove box.	214-2
C408 (2 pin)	To left of body electrical bracket	155-1
G200 (Front Interior Ground)..	On dash frame, left of steering column.....	203-1

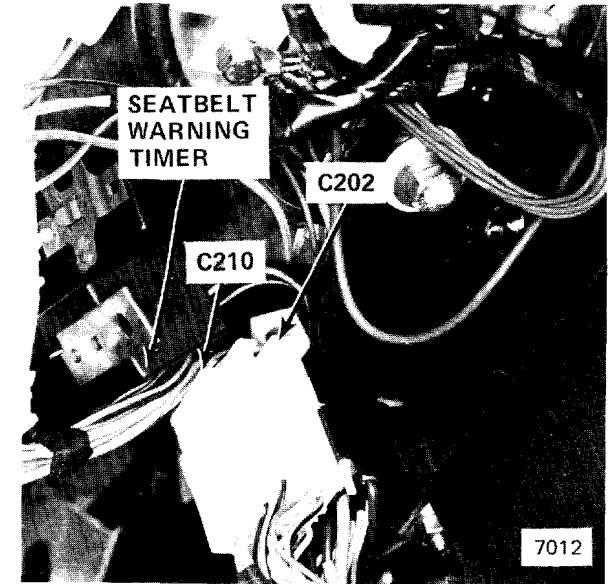


Figure 1 - Behind Dash, Left Of Steering Column

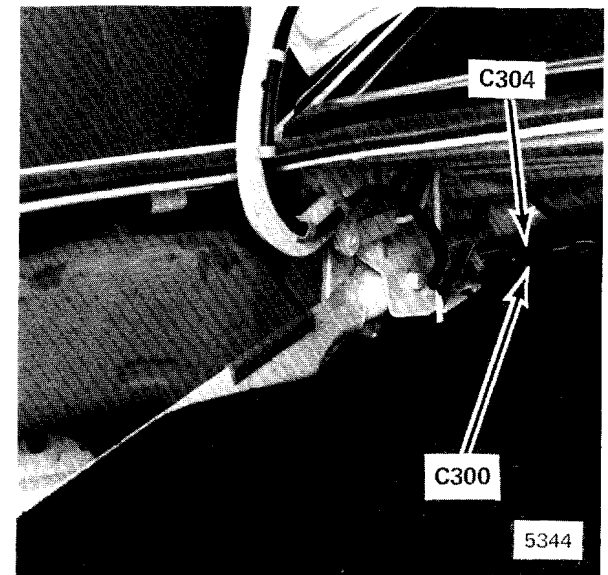


Figure 2 - Left Trunk Hinge

RADIO/POWER ANTENNA

Power Antenna	In trunk	216-3
Power Distribution Box	Top front of left front wheel well	201-1
C206 (29 pin)	Under LH dash, on body electrical bracket	215-1
C215 (2 pin)	Behind radio	
C216 (2 pin)	Behind radio	
C217 (2 pin)	Behind radio	
C218 (2 pin)	Behind radio	
C219	On top of power antenna	216-3
C302 (Accessory Connector) ...	Under LH dash, on body electrical bracket	155-1
G200 (Front Interior Ground) ...	On dash frame, left of steering column	203-1
G302	At bottom of power antenna	216-3

FIGURE

REAR DEFOGGER/SUNROOF

Power Distribution Box	Top front of left front wheel well	201-1
Sunroof Motor	Above headliner, above rear view mirror	216-4
Sunroof Motor Relay	Above headliner, above rear view mirror	
C204 (6 pin)	Behind center console	214-6
C206 (29 pin)	Under LH dash, on body electrical bracket	215-1
C221 (12 pin)	Below dash, right of console	214-6
C302 (Accessory Connector) ...	Under LH dash, on body electrical bracket	155-1
G203	On RH side of heater/air conditioning unit	
G305	In RH C pillar	
G600	Above headliner, above rear view mirror	

SERVICE INTERVAL INDICATOR

Coolant Temperature Sender/ Switch	Front of engine, on thermostat housing	211-2
Diagnostic Connector	Top middle of engine	101-1
Motronic Control Unit	Behind right front speaker	211-1
Power Distribution Box	Top front of left front wheel well	201-1
C101 (17 pin)	On rear of power distribution box	
C103 (6 pin)	Behind right front speaker	211-1
G200 (Front Interior Ground) ...	On dash frame, left of steering column	203-1

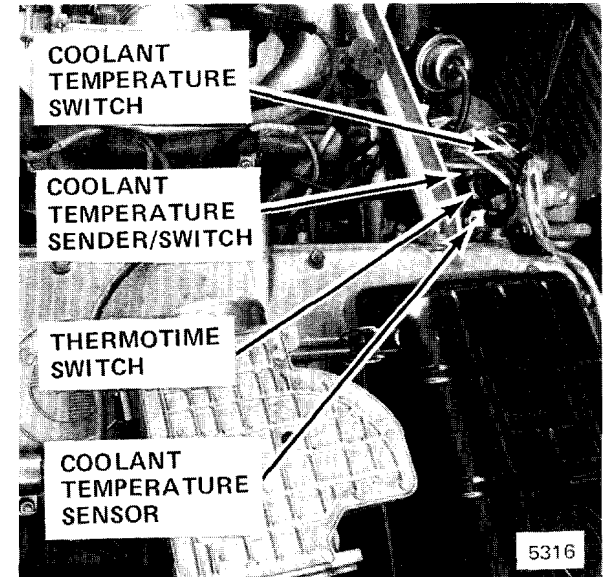


Figure 1 - Behind Right Front Speaker

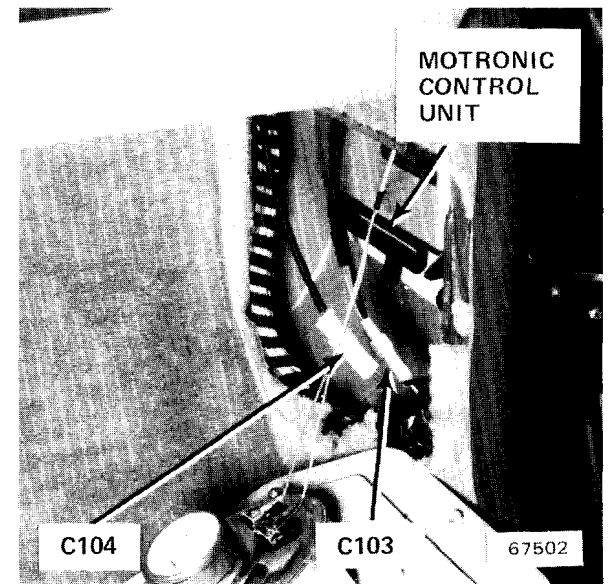


Figure 2 - Top Front Of Engine

212 COMPONENT LOCATIONS

SPEEDOMETER/GAUGES/WARNING INDICATORS

		FIGURE
Brake Accum. Pres. Switch	Right of left front shock tower	209-1
Brake Fluid Level Switch	To left of engine, on brake fluid reservoir	
Coolant Temperature Sender/ Switch	Front of engine, on thermostat housing	211-2
Diagnostic Connector	Top middle of engine	101-1
Fuel Tank Sender	Top left side of fuel tank, under trunk	214-4
Hydraulic Pressure Switch	Right of left front shock tower	209-1
Ignition Switch	Upper part of steering column	
Motronic Control Unit	Behind right front speaker	211-1
Oil Pressure Switch	Left rear end of cylinder head	
Parking Brake Switch	In shift console, at base of parking brake	
Power Distribution Box	Top front of left front wheel well	201-1
Speedometer Sender	In rear of differential	
C101 (17 pin)	On rear of power distribution box	
C103 (6 pin)	Behind right front speaker	211-1
C200 (10 pin)	Under dash, on left side of steering column	203-1
C202 (13 pin)	Under dash, on left side of steering column	210-1
G200 (Front Interior Ground)	On dash frame, left of steering column	203-1
G302 (Trunk Ground)	In trunk, on rear panel center support	208-1

START

Auto. Trans. Range Switch	On left side of shift lever	
Cold Start Valve	Between intake ports 3 and 4	
Diagnostic Connector	Top middle of engine	101-1
Ignition Switch	Upper part of steering column	
Motronic Control Unit	Behind right front speaker	211-1
Power Distribution Box	Top front of left front wheel well	201-1
Start Relay	Under LH dash, on body electrical bracket	
Starter	Lower rear left side of engine	
Thermo Time Switch	Front of engine, top of thermostat housing	211-2
C101 (17 pin)	On rear of power distribution box	
C200 (10 pin)	Under dash, on left side of steering column	203-1
G104 (Main Body Ground)	On power distribution box bracket	201-1
G200 (Front Interior Ground)	On dash frame, left of steering column	203-1

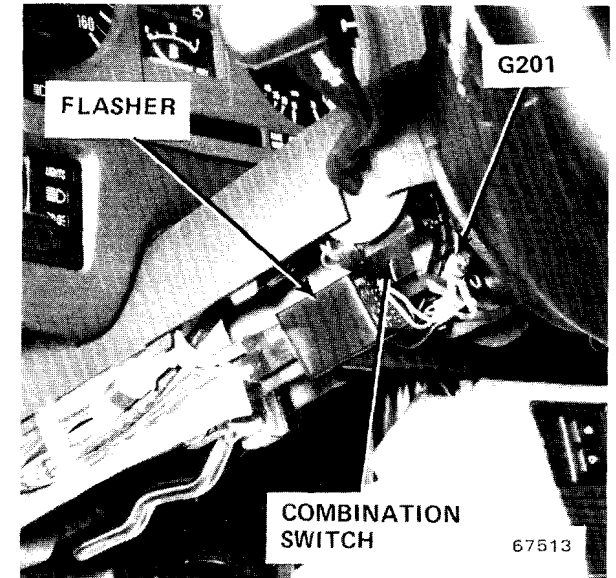


Figure 1 - Upper Underside Of Steering Column

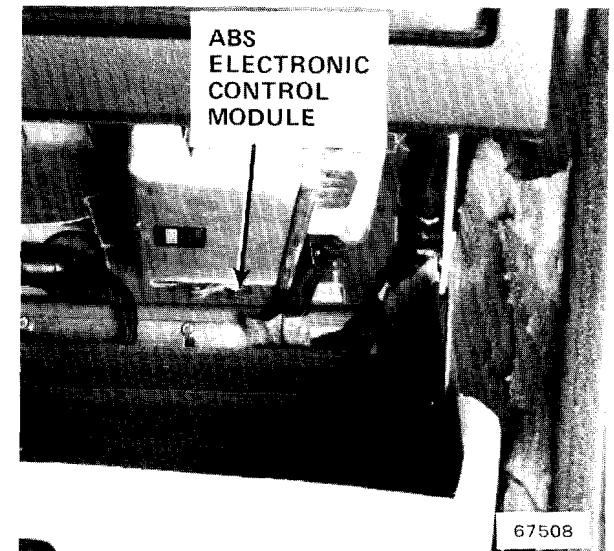


Figure 2 - Below Glove Box Compartment



Figure 1 - Left Of Instrument Panel

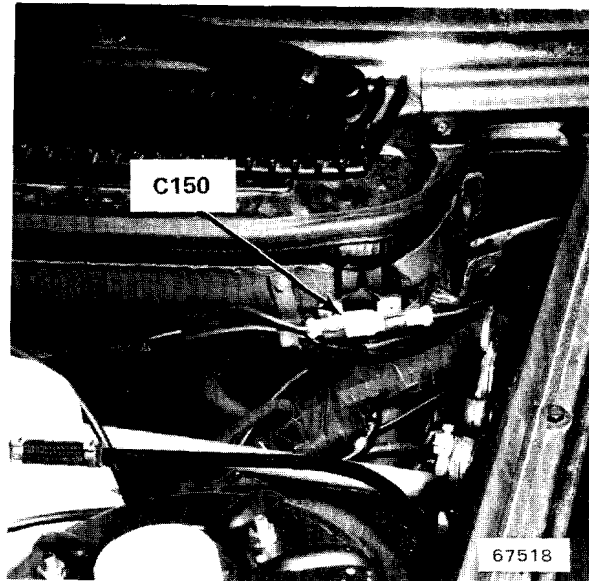


Figure 3 - Left Side Of Cowl



Figure 5 - Under Center Of Fresh Air Intake Cowl

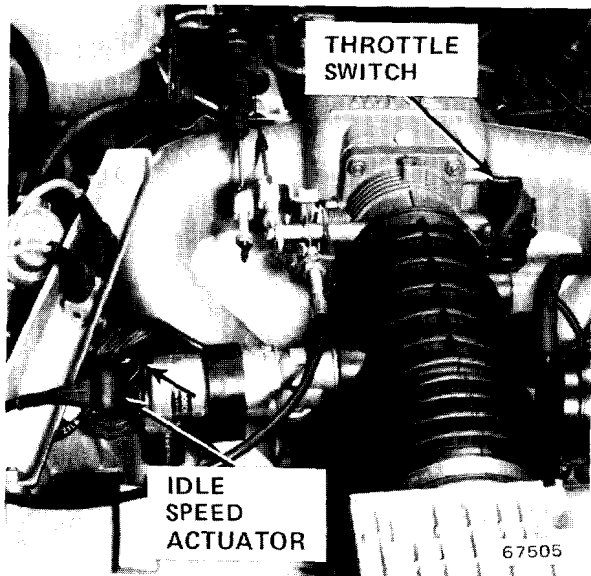


Figure 2 - Top Center Of Engine



Figure 4 - Ahead Of Coolant Reservoir

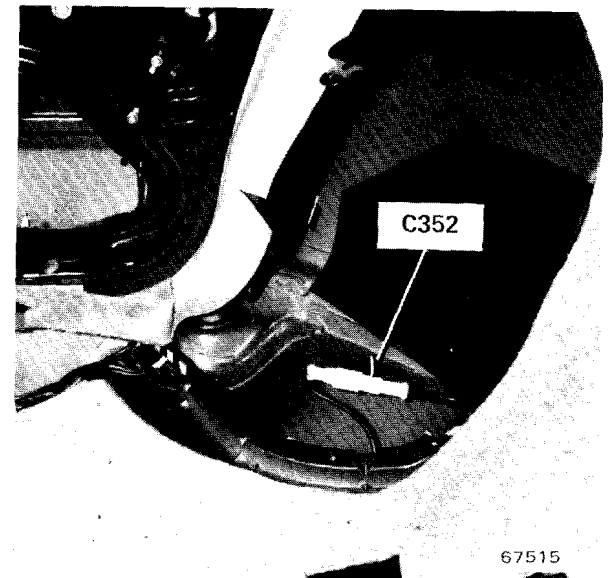


Figure 6 - Under Rear Seat, Right Side

214 COMPONENT LOCATIONS

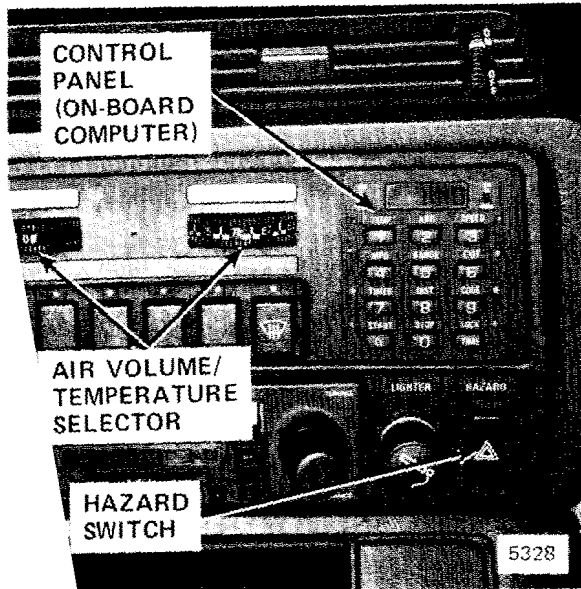


Figure 1- Center Of Dash

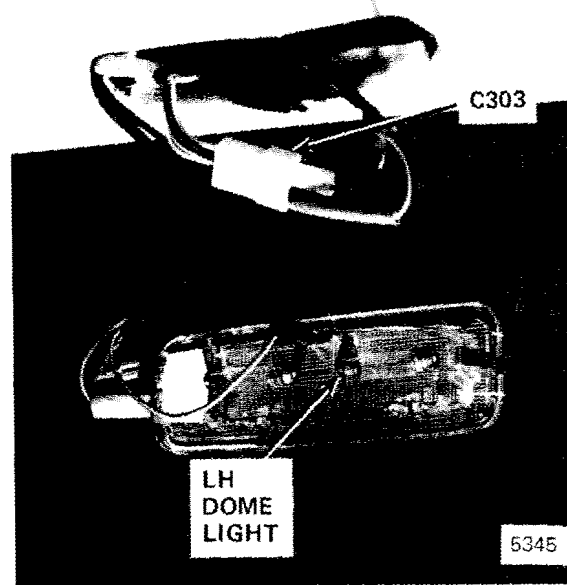


Figure 3 - Header, Above Left B Pillar

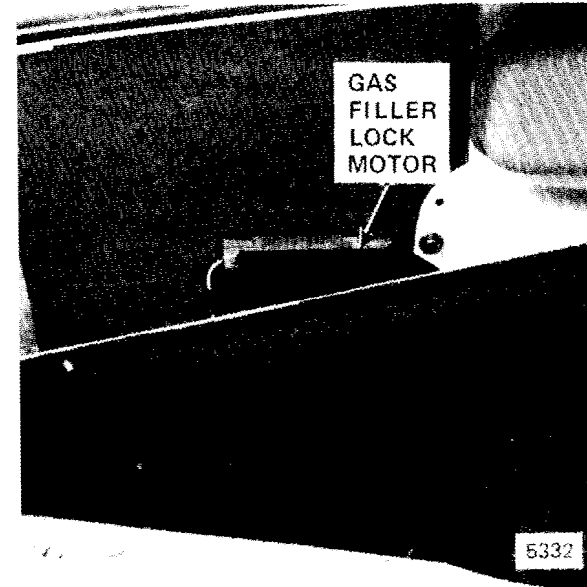
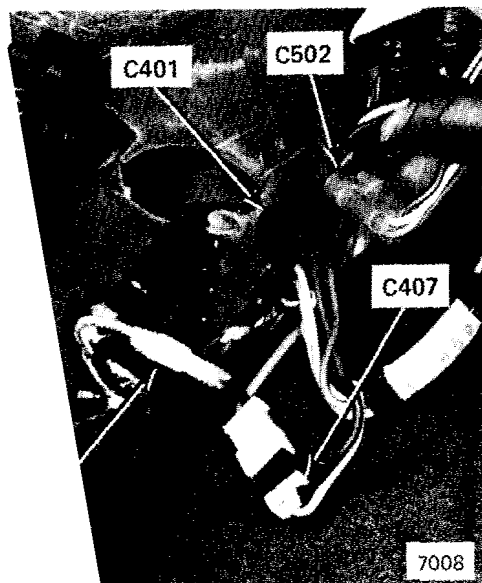


Figure 5 - Behind Left Rear Wheel Well



2 - Behind Dash, Right Of Glove Box

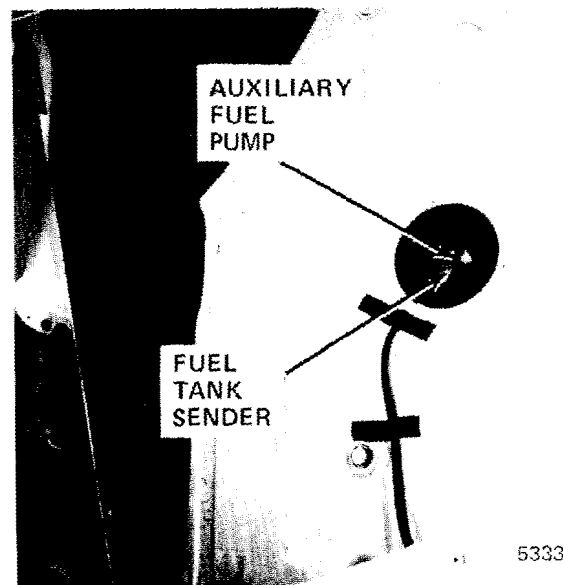
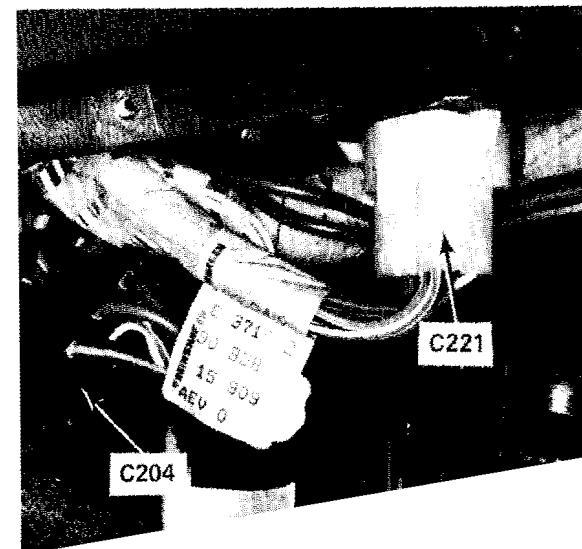


Figure 4 - Bottom



STOPLIGHTS/CRUISE CONTROL

Auto. Trans. Range Switch	On left side of shift lever	
Brake Switch	Above brake pedal	
Clutch Switch	Above clutch pedal	
Cruise Control Actuator	Right of power distribution box	205-1
Cruise Control Control Unit . . .	Behind left front speaker	208-2
Power Distribution Box	Top front of left front wheel well	201-1
Rear Lights Check Relay	Under left side of rear seat	207-2
C206 (29 pin)	Under LH dash, on body electrical bracket	215-1
C208 (2 pin)	Above accelerator pedal	
C209 (7 pin)	Under dash, above left front speaker	
C210 (4 pin)	Under dash, on left side of steering column	210-1
C211 (1 pin)	In gear selector console	
C301 (2 pin)	In center console, ahead of shift lever	
C302 (Accessory Connector) . .	Under LH dash, on body electrical bracket	155-1
C350	At connector bracket under LH side of dash	
G200 (Front Interior Ground) . .	On dash frame, left of steering column	203-1
G301 (Rear Interior Ground) . .	Under left side of rear seat	207-2
G302 (Trunk Ground)	In trunk, on rear panel center support	208-1

FIGURE

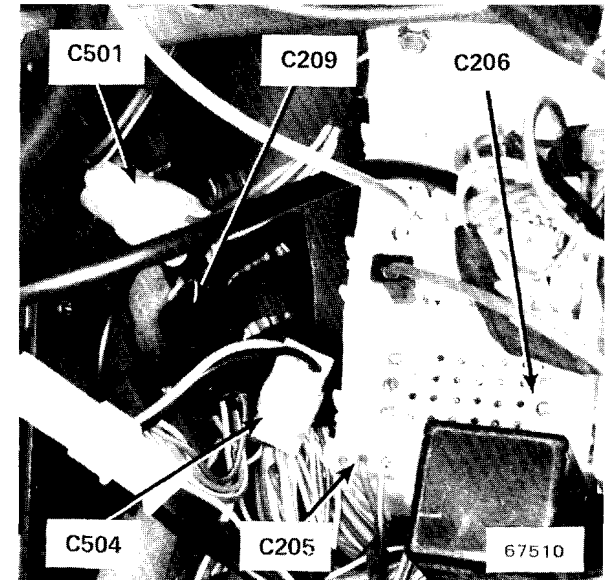


Figure 1 - Behind Dash Above Left Front Speaker

WINDSHIELD WASHER JET HEATERS

Power Distribution Box	Top front of left front wheel well	201-1
Washer Jet Heaters	On washer jet nozzles	
Wiper Motor	Under left side fresh air intake cowl	
C120 (2 pin)	Near wiper motor	
C206 (29 pin)	Under LH dash, on body electrical bracket	215-1
C504 (2 pin)	Under dash, above trunk release lever	215-1
G200 (Front Interior Ground) . .	On dash frame, left of steering column	203-1

WIPER/WASHER

Power Distribution Box	Top front of left front wheel well	201-1
Washer Pump	Ahead of right front wheel well, in reservoir	216-2
Wiper Motor	Under left side fresh air intake cowl	
C102 (13 pin)	In power distribution box	
C201 (6 pin)	Under dash, on left side of steering column	203-1
G200 (Front Interior Ground) . .	On dash frame, left of steering column	203-1
G201 (Column Ground)	Upper left side of steering column	206-1



Figure 2 - Behind Left Side Of Console

216 COMPONENT LOCATIONS

POWER SEATS

Driver's Seat Controller	Under driver's seat, on frame	
Passenger's Seat Controller	Under passenger's seat, on frame	
C206 (29 pin).	Under LH dash, on body electrical bracket.	215-1
C302 (Accessory Connector).	Under LH dash, on body electrical bracket.	155-1
C550 (2 Pin).	Under center console	
C551 (2 Pin).	Under center console	
G200 (Front Interior Ground)	On dash frame, left of steering column.	203-1

FIGURE

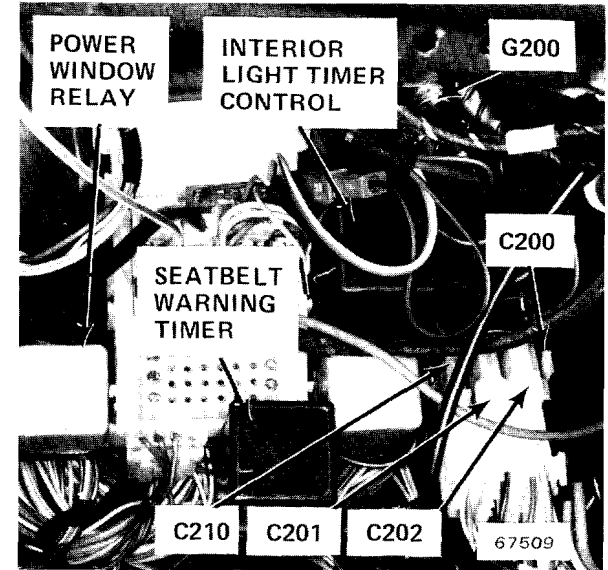


Figure 1 - Behind, Left Of Steering Column

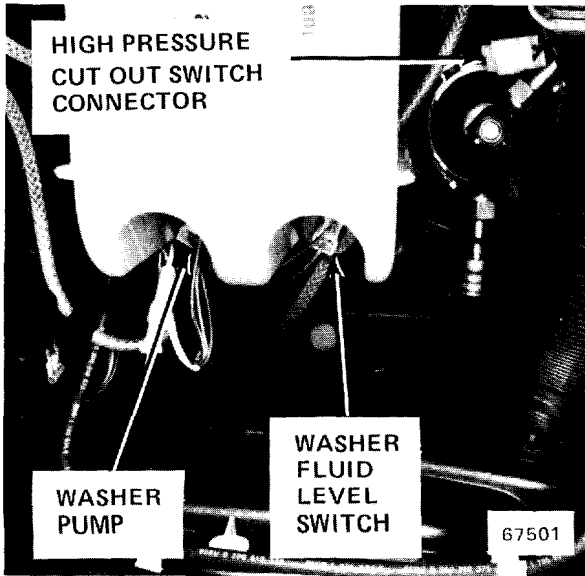


Figure 2 - Ahead Of Right Hand Front Wheel Well, In Reservoir

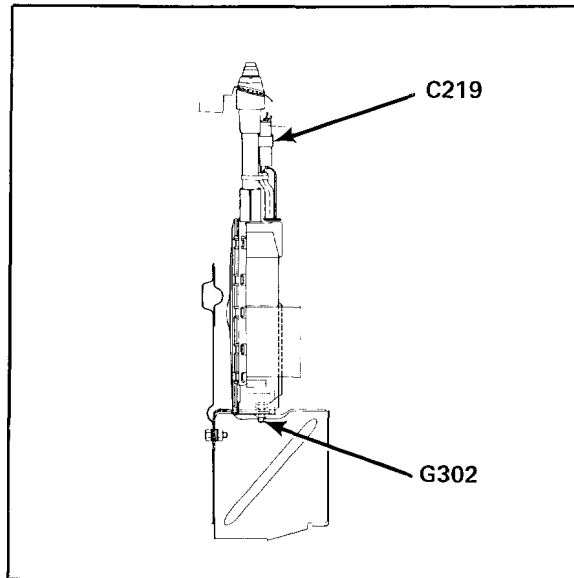


Figure 3 - In The Trunk

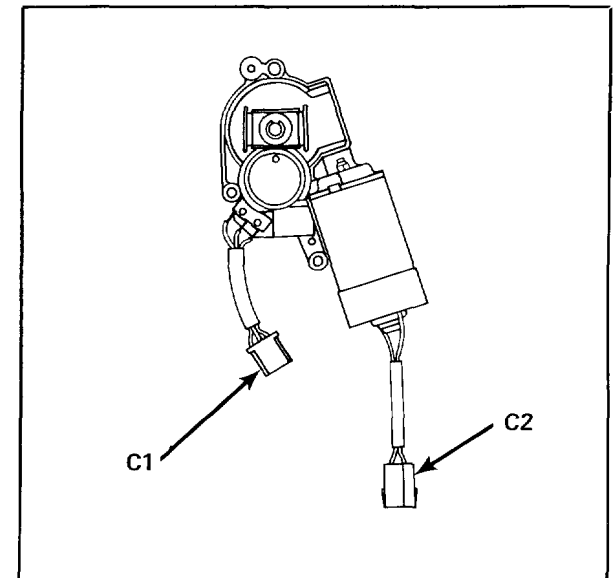
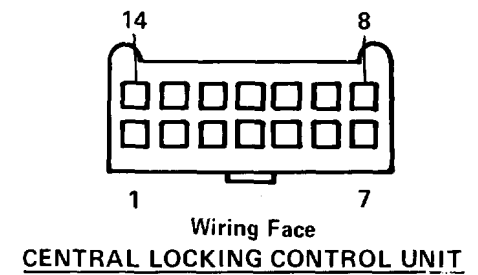
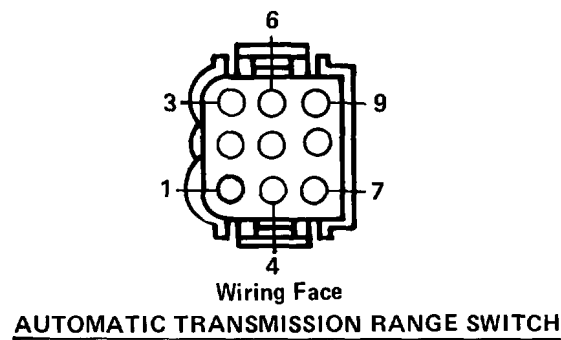
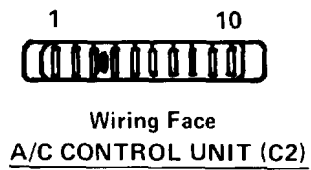
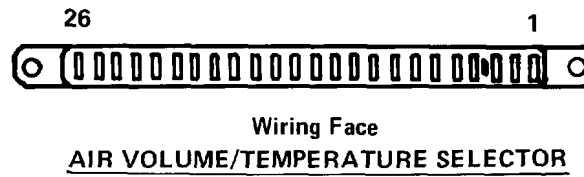
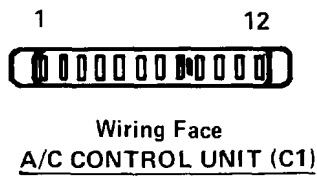
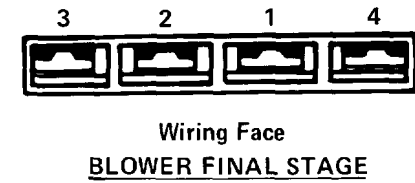
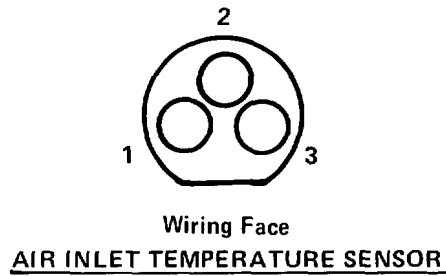
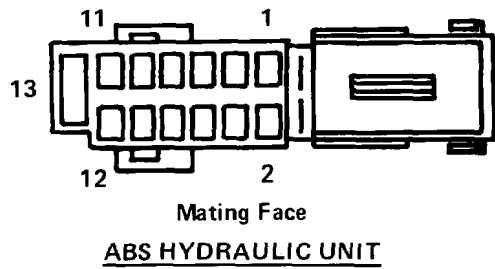
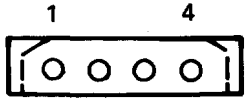


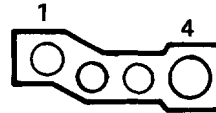
Figure 4 - Above Headliner, Above Rear View Mirror



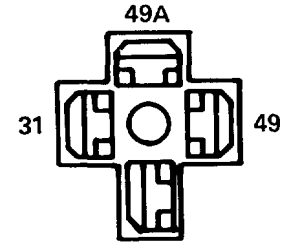
302 CONNECTOR VIEWS



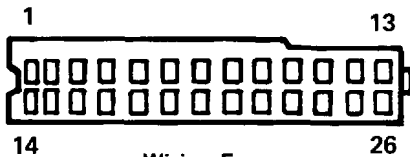
Wiring Face
CHIME MODULE (C1)



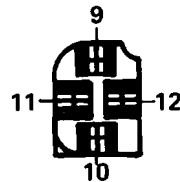
Wiring Face
DRIVER'S SEAT CONTROLLER (C2)



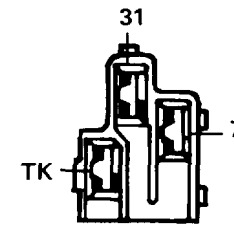
Wiring Face
FLASHER



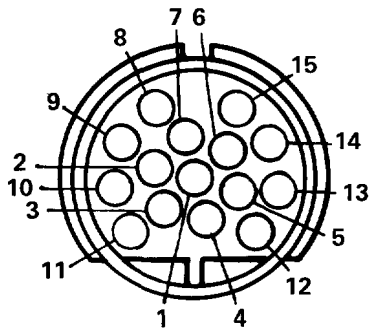
Wiring Face
CRUISE CONTROL



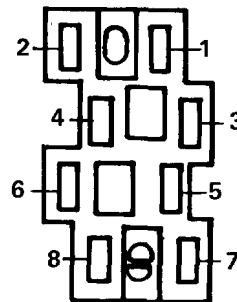
Wiring Face
DRIVER'S SEAT SWITCH (C1)



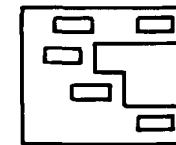
Wiring Face
FOG LIGHTS/INTERNAL LIGHTS SWITCH (C1)



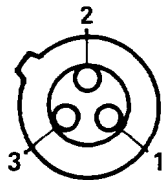
Mating Face
DIAGNOSTIC CONNECTOR



Mating Face
FADER CONTROL



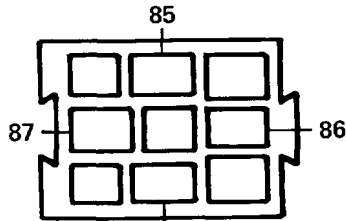
Wiring Face
FOG LIGHTS/ INTERIOR LIGHTS SWITCH (C2)



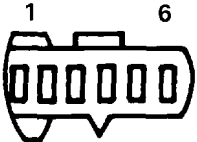
Wiring Face
FRONT TURN PARK LIGHT



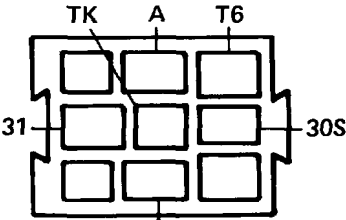
Wiring Face
FUNCTION SELECTOR



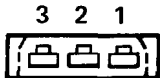
Wiring Face
FUEL PUMP RELAY



Wiring Face
GAS FILLER LOCK MOTOR



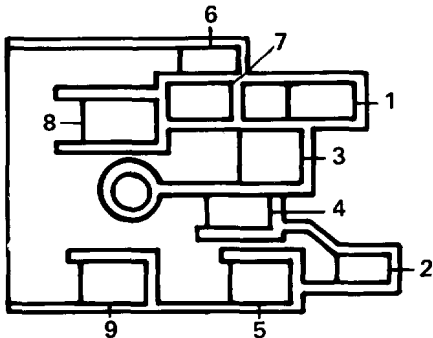
Wiring Face
INTERIOR LIGHT TIMER CONTROL



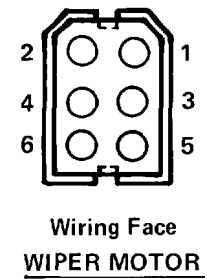
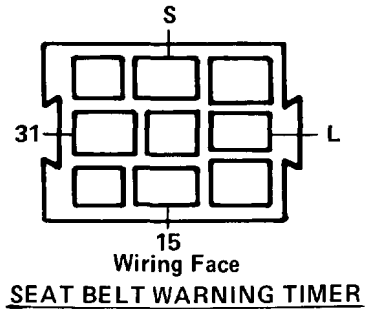
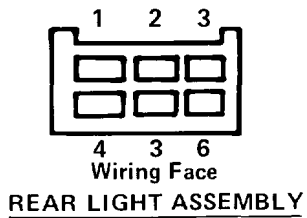
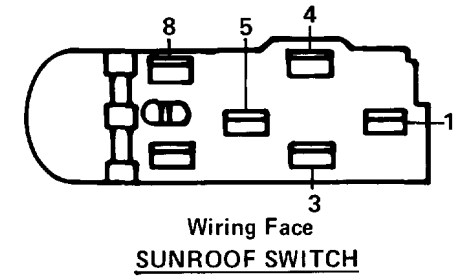
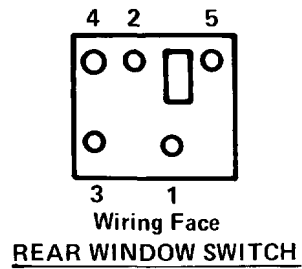
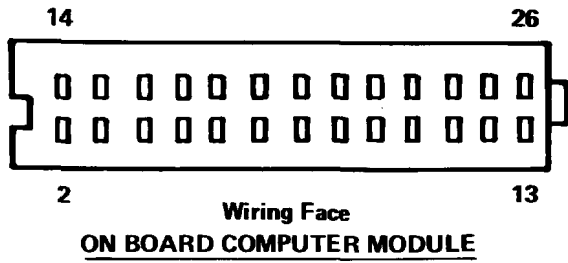
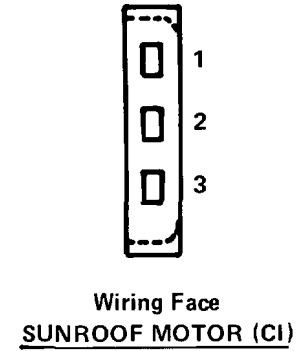
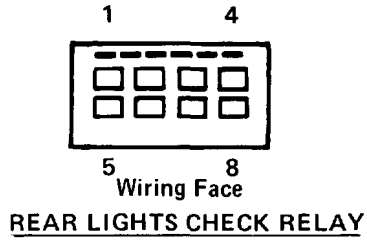
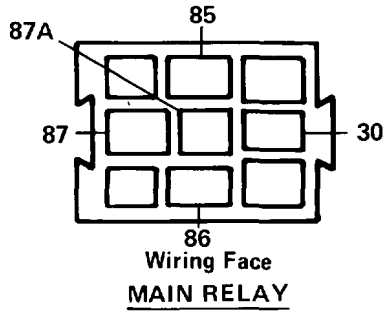
Wiring Face
FUEL TANK SENDER

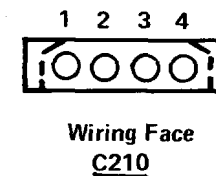
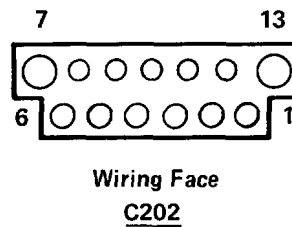
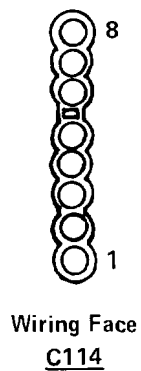
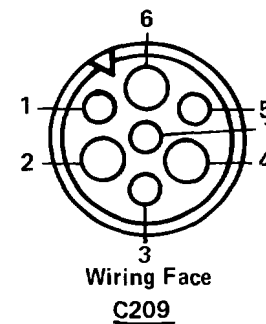
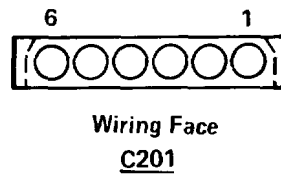
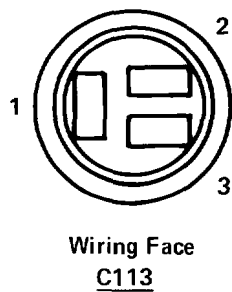
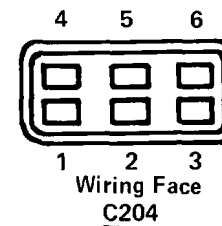
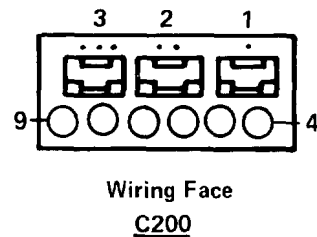
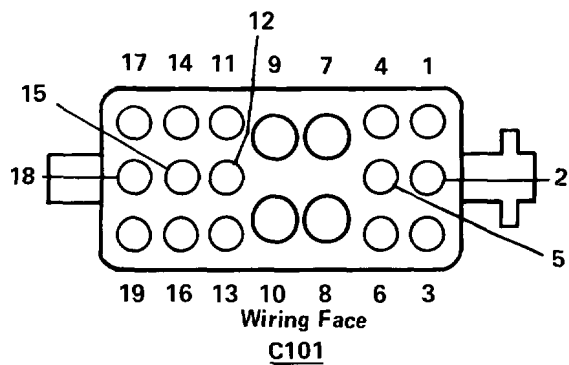


Wiring Face
IN CAR TEMPERATURE SENSOR/REAR
PASSENGER AREA SWITCH



Wiring Face
LIGHT SWITCH





306 CONNECTOR VIEWS

