

1996

BMW

E36/7

(Z3 Roadster)

Electrical

Troubleshooting

Manual

Vehicles Produced 1/96 to 8/96



The following systems have been modified during the model year and are marked as early or late production:

0670.0	POWER DISTRIBUTION CHART
0670.2	POWER DISTRIBUTION
0670.3	FUSE DETAILS
0670.4	GROUND DISTRIBUTION
0670.5	DATA LINK
1210.20	ENGINE CONTROL SYSTEM (DME M5.2, 4--CYLINDER M44)
1240.0	START
1290.0	E--BOX FAN
2460.2	ELECTRONIC TRANSMISSION CONTROL (EGS A4S 310R)
3234.0	SUPPLEMENTAL RESTRAINT SYSTEM (AIR BAG)
3450.0	SLIP CONTROL (ABS)
6135.0	DRIVE--AWAY PROTECTION (EWS II)
6211.0	INSTRUMENT CLUSTER
6450.6	INTEGRATED HEATING AND CLIMATE CONTROL
6571.0	CRUISE CONTROL (TEMPOMAT)



ELECTRICAL TROUBLESHOOTING MANUAL

SERIES 3 – E36/7 (Z3 Roadster)

SCHEMATICS

MODEL YEAR 1996

0100.0	INDEX	6160.1	WIPER/WASHER MODULE (WWM)
0110.0	INTRODUCTION	6167.1	HEADLIGHT WASHER (SRA)
0140.0	SYMBOLS	6169.0	WINDSHIELD WASHER JET HEATERS
0670.0	POWER DISTRIBUTION CHART	6211.0	INSTRUMENT CLUSTER
0670.1	FUSE CHART	6213.3	DIGITAL CLOCK
0670.2	POWER DISTRIBUTION	6300.0	LIGHT SWITCH DETAILS
0670.3	FUSE DETAILS	6312.0	HEADLIGHTS/FOG LIGHTS
0670.4	GROUND DISTRIBUTION	6313.0	TURN/HAZARD LIGHTS
0670.5	DATA LINK	6314.0	PARK/TAIL/UNDERHOOD LIGHTS
1210.20	ENGINE CONTROL SYSTEM (DME M5.2, 4–CYLINDER M44)	6320.0	LICENSE PLATE/LUGGAGE COMPARTMENT LIGHTS
1230.0	CHARGING SYSTEM	6322.0	BACK UP LIGHTS
1240.0	START	6325.0	BRAKE LIGHTS
1290.0	E–BOX FAN	6330.3	INTERIOR LIGHTS
2460.2	ELECTRONIC TRANSMISSION CONTROL (EGS A4S 310R)	6332.0	INTERIOR ACCESSORIES
3234.0	SUPPLEMENTAL RESTRAINT SYSTEM (AIR BAG)	6350.0	CRASH CONTROL MODULE
3450.0	SLIP CONTROL (ABS)	6424.0	REAR WINDOW DEFOGGER/ ANTENNA
3450.1	SLIP CONTROL (ABS/ASC)	6450.6	INTEGRATED HEATING– AND CLIMATE CONTROL
5116.0	POWER MIRRORS	6510.1	RADIO/HIFI
5126.0	ZKE CENTRAL LOCKING (ZV)	6510.2	RADIO PROVISIONS
5126.2	CENTRAL LOCKING MODULE II (ZVM II)	6561.0	CELLULAR TELEPHONE (PROVISIONS)
5133.0	ZKE POWER WINDOWS (FH)	6571.0	CRUISE CONTROL (TEMPOMAT)
5133.1	POWER WINDOWS (FH)	6575.2	ANTI–THEFT SYSTEM (ALPINE)
5200.0	POWER SEATS	6581.3	BOARD COMPUTER (BC–LOW)
5203.0	HEATED SEATS	7000.0	COMPONENT LOCATION CHART
6100.0	CENTRAL BODY ELECTRONICS (ZKE IV)	7100.0	COMPONENT LOCATION VIEWS
6133.0	HORN	8000.0	SPLICE LOCATION VIEWS
6135.0	DRIVE–AWAY PROTECTION (EWS II)	8500.0	CONNECTOR VIEWS



BMW
3

Z3

0110.0

ABS CONTROL MODULE/HYDRAULIC UNIT, A202	3450.0
ABS HYDRAULIC UNIT, Y1	3450.1-01
ABS HYDRAULIC UNIT, Y1w	3450.0-01
ABS PUMP MOTOR RELAY, K75	3450.0-00
ABS PUMP MOTOR RELAY, K75	3450.1-00
ABS RELAY, K10	3450.0-00
AIR BAG GAS GENERATOR, DRIVER'S, G5	3234.0-00
AIR BAG GAS GENERATOR, PASSENGER'S, G6	3234.0-00
AIR CONDITIONING COMPRESSOR, Y2	6450.6-02
AIR CONDITIONING/ RECIRCULATING SWITCH ASSEMBLY, S220	6450.6-01
ANTENNA AMPLIFIER AM/FM, N8	6510.1-00
ANTI-THEFT CONTROL MODULE (ALPINE), N12w	6575.2
ANTI-THEFT HORN (ALPINE), H1w	6575.2-01
ANTI-THEFT SYSTEM (ALPINE)	6575.2
ASC SWITCH, S6	3450.1-02
AUTOMATIC TRANSMISSION RANGE SWITCH, S3	2460.2-04
AUXILIARY FAN MOTOR, M9	6450.6
AUXILIARY FUSE BOX, P97	0670.2-02
AUXILIARY TURN LIGHT, LEFT FRONT, H9	6313.0-02
AUXILIARY TURN LIGHT, RIGHT FRONT, H8	6313.0-02
B+ JUMP START JUNCTION POINT, G6430	0670.2-01
BACK UP LIGHT, LEFT, H27	6322.0-00
BACK UP LIGHT, RIGHT, H28	6322.0-00
BACK UP LIGHTS	6322.0
BATTERY, G1	0670.2
BLOWER MOTOR, M30	6450.6-00
BLOWER RELAY, K4	6450.6-00

BLOWER RESISTORS, R11	6450.6-00
BLOWER SWITCH, S75	6450.6-00
BOARD COMPUTER (BC-LOW)	6581.3
BOARD COMPUTER (BC-LOW), A35y	6581.3-00
BODY ELECTRONICS CONTROL MODULE (ZKE IV), A104	5126.0
BODY ELECTRONICS CONTROL MODULE (ZKE IV), A104	6100.0
BRAKE FLUID LEVEL SWITCH, B18	6211.0-00
BRAKE LIGHT SWITCH, S30	6325.0-00
BRAKE LIGHT, H24	6325.0-00
BRAKE LIGHT, RIGHT, H31	6325.0-00
BRAKE LIGHTS	6325.0
BRAKE PAD SENSOR, LEFT FRONT, B16	6211.0-01
BRAKE PAD SENSOR, RIGHT REAR, B17	6211.0-01
CD CHANGER, N22	6510.1
CELLULAR TELEPHONE (PROVISIONS)	6561.0
CENTRAL BODY ELECTRONICS (ZKE IV)	6100.0
CENTRAL LOCKING MODULE II (ZVM II)	5126.2
CENTRAL LOCKING MODULE, A30	5126.2
CHARGING SYSTEM	1230.0
CHIME MODULE, H10	6211.0-05
CLUTCH SWITCH, S32	6325.0-00
CLUTCH SWITCH, S32	6571.0-01
COMBINATION SWITCH, S7	6312.0-00
COMBINATION SWITCH, S7	6313.0-00
COMBINATION SWITCH, S7	6581.3-00
COMFORT RELAY, K78	5133.1-00



COMPONENT LOCATION CHART 7000.0
 COMPONENT LOCATION VIEWS 7100.0
 COMPRESSOR CONTROL RELAY, K19 6450.6-02
 CONNECTOR VIEWS 8500.0
 CONTACT RING, C101 3234.0-00
 CRANKSHAFT POSITION/RPM SENSOR, B6203 1210.20-03
 CRASH CONTROL MODULE 6350.0
 CRASH CONTROL MODULE, N17 6350.0-01
 CRUISE CONTROL (TEMPOMAT) 6571.0
 CRUISE CONTROL ACTUATOR (TEMPOMAT), M25 6571.0-01
 CRUISE CONTROL MODULE (TEMPOMAT), A8 6571.0
 CRUISE CONTROL SWITCH, S28 6571.0-00
 DATA LINK 0670.5
 DATA LINK CONNECTOR, D100 0670.5
 DIGITAL CLOCK 6213.3
 DIGITAL CLOCK, A110 6213.3-00
 DOOR JAMB SWITCH, DRIVER'S, S14 5126.
 DOOR JAMB SWITCH, DRIVER'S, S14 6330.3
 DOOR JAMB SWITCH, PASSENGER'S, S13 5126.
 DOOR JAMB SWITCH, PASSENGER'S, S13 6330.3
 DOOR LOCK MOTOR, DRIVER'S, M12 5126.
 DOOR LOCK MOTOR, PASSENGER'S, M13 5126.
 DOOR LOCK SWITCH, DRIVER'S, S47 5126.
 DOOR LOCK SWITCH, PASSENGER'S, S49 5126.
 DOUBLE TEMPERATURE SWITCH, S36y 6450.6-04
 DRIVE-AWAY PROTECTION (EWS II) 6135.0
 E-BOX FAN 1290.0
 E-BOX FAN, M6506 1290.0-00

ELECTRONIC IMMOBILIZER CONTROL MODULE
 (EWS II), A836 6135.0
 ELECTRONIC TRANSMISSION CONTROL
 (EGS A4S 310R) 2460.2
 ENGINE CONTROL MODULE (DME), A6000 1210.20
 ENGINE CONTROL MODULE RELAY, K6300 1210.20-00
 ENGINE CONTROL SYSTEM
 (DME M5.2, 4-CYLINDER M44) 1210.20
 ENGINE COOLANT TEMPERATURE SENSOR, B6232 .. 1210.20-04
 ENGINE COOLANT TEMPERATURE SENSOR, B6232 ... 6211.0-02
 ENGINE HOOD SWITCH, S21w 6575.2-00
 EVAPORATIVE EMISSION VALVE, Y6120 1210.20-01
 EVAPORATOR CONTROLLER, S221 6450.6
 EVAPORATOR TEMPERATURE SENSOR, B14 6450.6-01
 FOG LIGHT SWITCH, S10 6312.0-00
 FOG LIGHT, LEFT, E26 6312.0-00
 FOG LIGHT, RIGHT, E27 6312.0-00
 FRESH AIR - RECIRCULATION - MOTOR, M111 6450.6-01
 FRONT ASHTRAY LIGHT, E25 6300.0-01
 FRONT AUXILIARY TURN LIGHT, H8 6313.0-02
 FRONT CIGAR LIGHTER LIGHT, E29 6300.0-01
 FRONT CIGAR LIGHTER, E28 6332.0-00
 FRONT FOG LIGHT RELAY, K47 6312.0-00
 FRONT LEFT INTERIOR LIGHT, E800 6330.3
 FRONT POWER DISTRIBUTION BOX, P90 0670.2
 FUEL INJECTION VALVE, CYL. 1, Y6101 1210.20-01
 FUEL INJECTION VALVE, CYL. 2, Y6102 1210.20-01
 FUEL INJECTION VALVE, CYL. 3, Y6103 1210.20-01



INDEX

Z3

FUEL INJECTION VALVE, CYL. 4, Y6104	1210.20-01
FUEL PUMP RELAY, K6301w	1210.20-03
FUEL PUMP, M2	1210.20-03
FUEL SENSOR, B6y	6211.0-04
FUSE CHART	0670.1
FUSE DETAILS	0670.3
FUSE HOLDER, A605	6450.6-01
GENERATOR, G6509	1230.0-00
GROUND DISTRIBUTION	0670.4
HALL EFFECT CAMSHAFT SENSOR, B6209	1210.20-03
HARD TOP CONNECTOR 1, E99	6424.0-00
HAZARD FLASHER RELAY, K16	6313.0-00
HAZARD SWITCH, S18	6313.0-01
HEADLIGHT WASHER (SRA)	6167.1
HEADLIGHT, LEFT, E7	6312.0-01
HEADLIGHT, LEFT, E7	6313.0-02
HEADLIGHT, LEFT, E7	6314.0-01
HEADLIGHT, RIGHT, E8	6312.0-01
HEADLIGHT, RIGHT, E8	6313.0-02
HEADLIGHT, RIGHT, E8	6314.0-01
HEADLIGHT/FOG LIGHT WASHER PUMP, M7	6167.1-00
HEADLIGHTS/FOG LIGHTS	6312.0
HEAT/A/C CONTROL PANEL ILLUMINATION, E105	6300.0-02
HEAT/A/C CONTROL PANEL ILLUMINATION, E106	6300.0-02
HEATED SEATS	5203.0
HIFI AMPLIFIER, A18	6510.1
HIGH BEAM LIGHT RELAY, K46	6312.0
HIGH BEAM LIGHT, LEFT, E11	6312.0-01

HIGH BEAM LIGHT, RIGHT, E12	6312.0-01
HIGH LEVEL STOP LIGHT, H34	6325.0-00
HIGH RANGE SPEAKER, LEFT FRONT, H59	6510.1-01
HIGH RANGE SPEAKER, RIGHT FRONT, H50	6510.1-02
HIGH SPEED RELAY, K22	6450.6
HORN	6133.0
HORN RELAY, K2	6133.0-00
HORN SWITCH, S4	6133.0-00
HORN, LEFT, H2	6133.0-00
HORN, RIGHT, H3	6133.0-00
HOT FILM AIR MASS METER, B6217	1210.20-05
IDLE SPEED CONTROL VALVE, Y6130	1210.20-01
IGNITION COIL, CYL. 1, T6151	1210.20-02
IGNITION COIL, CYL. 2, T6152	1210.20-02
IGNITION COIL, CYL. 3, T6153	1210.20-02
IGNITION COIL, CYL. 4, T6154	1210.20-02
IGNITION SWITCH, S2	0670.2-04
INDEX	0100.0
INERTIA SWITCH, S27	5126.
INERTIA SWITCH, S27	6100.0-00
INSTRUMENT CLUSTER	6211.0
INSTRUMENT CLUSTER, A2w	6211.0
INTAKE AIR RESONANCE CHANGE OVER VALVE, Y6131	1210.20-01
INTAKE AIR TEMPERATURE SENSOR, B6205	1210.20-04
INTEGRATED HEATING- AND CLIMATE CONTROL	6450.6
INTERIOR ACCESSORIES	6332.0
INTERIOR LIGHTS	6330.3



INDEX

Z3

INTERMEDIATE PRESSURE SWITCH, B9	6450.6
INTRODUCTION	0110.0
JET HEATER THERMOSWITCH, S198	6169.0-00
KICK-DOWN SWITCH, S8507	2460.2-01
KNOCK SENSOR 1, B6241z	1210.20-04
LICENSE PLATE LIGHT, LEFT, E43	6320.0-00
LICENSE PLATE LIGHT, RIGHT, E44	6320.0-00
LICENSE PLATE/LUGGAGE COMPARTMENT LIGHTS	6320.0
LIGHT ASSEMBLY, LEFT REAR, E16	0670.4-10
LIGHT ASSEMBLY, RIGHT REAR, E17	0670.4-10
LIGHT SWITCH DETAILS	6300.0
LIGHT SWITCH, S8	6300.0-00
LOW BEAM LIGHT RELAY, K48	6312.0-01
LOW BEAM LIGHT, LEFT, E13	6312.0-01
LOW BEAM LIGHT, RIGHT, E14	6312.0-01
LOW RANGE SPEAKER, LEFT FRONT, H58	6510.1-02
LOW RANGE SPEAKER, LEFT REAR, H57	6510.1-01
LOW RANGE SPEAKER, RIGHT FRONT, H51	6510.1-02
LOW RANGE SPEAKER, RIGHT REAR, H52	6510.1-01
LUGGAGE COMPARTMENT LIGHT SWITCH, S826	6320.0-00
MARKER LIGHT, LEFT FRONT, E21	6314.0-01
MARKER LIGHT, RIGHT FRONT, E22	6314.0-01
MIDRANGE SPEAKER, LEFT FRONT, H55	6510.1-01
MIDRANGE SPEAKER, RIGHT FRONT, H54	6510.1-02
MIRROR CONTROL SWITCH, S17	5116.0-00
MIRROR, DRIVER'S SIDE, Y5	5116.0-01
MIRROR, PASSENGER'S SIDE, Y6	5116.0-01
NORMAL SPEED RELAY, K21	6450.6

OBD II CONNECTOR, D110	0670.5-05
OIL PRESSURE SWITCH, B6231	6211.0-02
ON-BOARD COMPUTER TEMPERATURE SENSOR, B21	6581.3-00
OXYGEN SENSOR (BEHIND CATALYTIC CONVERTER), B62002	1210.20-03
OXYGEN SENSOR (IN FRONT OF CATALYTIC CONVERTER), B62001	1210.20-03
PARK BRAKE SWITCH, S31	6211.0-00
PARK LIGHT, LEFT, E15	6314.0-01
PARK LIGHT, RIGHT, E19	6314.0-01
PARK/TAIL/UNDERHOOD LIGHTS	6314.0
POWER DISTRIBUTION	0670.2
POWER DISTRIBUTION CHART	0670.0
POWER MIRRORS	5116.0
POWER SEATS	5200.0
POWER WINDOW SWITCH, DRIVER'S, S126y	5133.
POWER WINDOW SWITCH, PASSENGER'S, S127y	5133.
POWER WINDOWS (FH)	5133.1
PRESSURE SWITCH, B8y	6450.6
PRESSURE SWITCH, B9508	6450.6
PROGRAM SWITCH, S8503	2460.2-00
PYROTECHNICAL BELT TENSIONER, DRIVER'S SIDE, G12	3234.0-00
PYROTECHNICAL BELT TENSIONER, PASSENGER'S SIDE, G13	3234.0-00
RADIO ANTI-THEFT SWITCH, S20w	6575.2-00
RADIO PROVISIONS	6510.2



RADIO, N9 6510.1
RADIO/HIFI 6510.1
REAR WINDOW DEFOGGER 6424.0
REAR WINDOW DEFOGGER SWITCH, S76 6424.0-00
REAR WOOFER, H500 6510.1-01
REVERSING LIGHT SWITCH, S8511 6322.0-00
SEAT BELT SWITCH, DRIVER'S, S58 3234.0-01
SEAT BELT SWITCH, PASSENGER'S, S59 3234.0-01
SEAT CONTROL SWITCH, DRIVER'S SEAT, S51 5200.0-00
SEAT CONTROL SWITCH, PASSENGER'S SEAT, S56 ... 5200.0-01
SEAT HEATER SWITCH, DRIVER'S SEAT, S53 5203.0-00
SEAT HEATER SWITCH, PASSENGER'S SEAT, S54 5203.0-00
SEAT HEATER, DRIVER'S, E57 5203.0-00
SEAT HEATER, PASSENGER'S, E58 5203.0-00
SEAT HEIGHT MOTOR, DRIVER'S, M52 5200.0-00
SEAT HEIGHT MOTOR, PASSENGER'S, M59 5200.0-01
SEAT MOVEMENT MOTOR, DRIVER'S, M51 5200.0-00
SEAT MOVEMENT MOTOR, PASSENGER'S, M60 5200.0-01
SEAT OCCUPANCY DETECTOR, A113 3234.0-01
SEATBACK HEATER, DRIVER'S, E56 5203.0-00
SEATBACK HEATER, PASSENGER'S, E59 5203.0-00
SHIFT-LOCK, Y19 2460.2-03
SIDE LIGHT SWITCH, S408 6330.3
SLIP CONTROL (ABS) 3450.0
SLIP CONTROL (ABS/ASC) 3450.1
SLIP CONTROL MODULE (ABS), A7 3450.0
SLIP CONTROL MODULE (ABS/ASC), A52 3450.1
SPEED SENSOR - ABS, LEFT FRONT, B2 3450.0

SPEED SENSOR - ABS, LEFT FRONT, B2 3450.1-03
SPEED SENSOR - ABS, LEFT REAR, B4 3450.0
SPEED SENSOR - ABS, LEFT REAR, B4 3450.1-03
SPEED SENSOR - ABS, RIGHT FRONT, B1 3450.0
SPEED SENSOR - ABS, RIGHT FRONT, B1 3450.1-03
SPEED SENSOR - ABS, RIGHT REAR, B3 3450.0
SPEED SENSOR - ABS, RIGHT REAR, B3 3450.1-03
SPlice LOCATION VIEWS 8000.0
START 1240.0
STARTER INTERLOCK RELAY, K6324 1240.0-01
STARTER, M6510 1240.0-01
SUPPLEMENTAL RESTRAINT SYSTEM (AIR BAG) 3234.0
SUPPLEMENTAL RESTRAINT SYSTEM CONTROL
MODULE, A12 3234.0
SYMBOLS 0140.0
TAIL LIGHT, LEFT, H25 6314.0-01
TAIL LIGHT, LEFT, H37 6314.0-01
TAIL LIGHT, RIGHT, H30 6314.0-01
TAIL LIGHT, RIGHT, H39 6314.0-01
TEMPERATURE SWITCH, S36 6450.6-03
TEMPERATURE WHEEL SWITCH, S531 6450.6-01
THROTTLE POSITION SENSOR, R6252 1210.20-04
TRANSMISSION CONTROL MODULE (EGS), A8500 2460.2
TRANSMISSION POSITION INDICATOR LIGHT, E82 6300.0-02
TRANSMISSION VALVE UNIT, Y8505 2460.2-03
TRANSMITTER MODULE (EWS II), A835 6135.0-00
TRUNK COMPARTMENT LIGHT, E32 6320.0-00
TRUNK LOCK MOTOR, M17 5126.

BMW INDEX**3**

Z3

TURN LIGHT, LEFT FRONT, H7	6313.0-02
TURN LIGHT, LEFT FRONT, H7	6314.0-01
TURN LIGHT, LEFT REAR, H6	6313.0-03
TURN LIGHT, RIGHT FRONT, H4	6313.0-02
TURN LIGHT, RIGHT FRONT, H4	6314.0-01
TURN LIGHT, RIGHT REAR, H5	6313.0-03
TURN/HAZARD LIGHTS	6313.0
UNLOADER RELAY, TERMINAL 15, K6326	1210.20-02
UNLOADER RELAY, TERMINAL 15, K9	5203.0-00
VEHICLE SPEED SENSOR, B10	6211.0-04
WASHER JET HEATER, LEFT, E51	6169.0-00
WASHER JET HEATER, RIGHT, E52	6169.0-00
WASHER PUMP, M4	6160.1
WASHER PUMP, M7	6167.1-00
WATER VALVE, Y4z	6450.6-01
WINDOW MOTOR, DRIVER'S, M21	5133.
WINDOW MOTOR, PASSENGER'S, M23	5133.
WINDSHIELD WASHER JET HEATERS	6169.0
WIPER MOTOR, M3	6160.1
WIPER/WASHER MODULE (LOW II), A64	6160.1-02
WIPER/WASHER MODULE (WWM)	6160.1
WIPER/WASHER MODULE, A51	6160.1
WIPER/WASHER MODULE, A51	6167.1-00
WIPER/WASHER SWITCH, S5	6160.1
ZKE CENTRAL LOCKING (ZV)	5126.0
ZKE POWER WINDOWS (FH)	5133.0

Schematics

The schematics divide the entire vehicle electrical system into individual circuits. Interacting electrical components are shown on one common schematic.

Switches and other components are represented in such a way that their general layout and function are self-explicit. They are arranged on the sheet such that the current path can be followed from positive (top) to negative (bottom).

Important: The components and wires are not drawn to scale. For instance, a lead with a length of over 1m can be shown as a lead that is only a few cm long. To ensure clear arrangement, all connectors, lines branches and connected components from the fuses to the component and from the component to ground connection are not shown within the individual cells. If required, reference can be made to cells **0670.3 Fuse Details** and **0670.4 Ground Distribution** where all lines are illustrated with all plug connections, line branches and connected components.

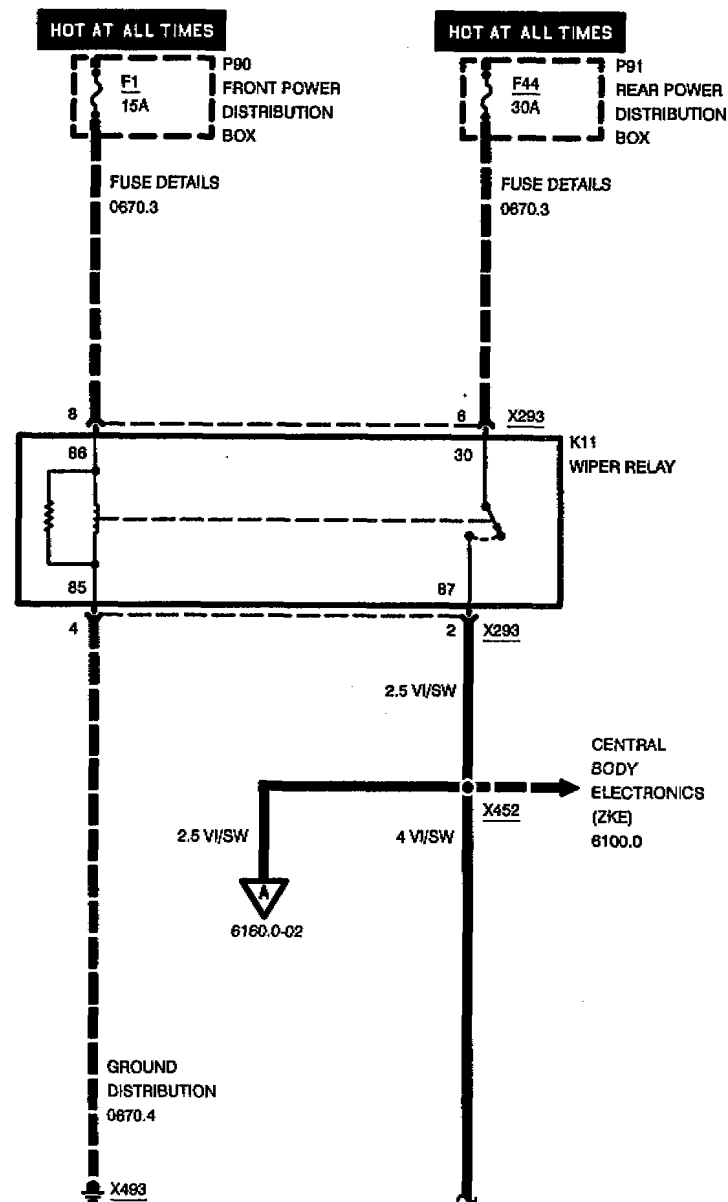
All circuit symbols used are listed and explained in cell **0140.0 Symbols**.

In cell **7000.0 Component Location Chart** all important connectors, ground points and components are listed in tabular form. It provides a precise description of the component locations in the vehicle.

In cell **7100.0 Component Location Views** the location of connectors and components which are difficult to locate are shown in line arts or illustrations. In cell **8000.0 Splice Location Views** all splices are listed in numerical order and illustrations are provided to assist in locating splices on larger harnesses. In cell **8500.0 Connector Views** diagrams of connectors with more than 2 pins are illustrated.

Example

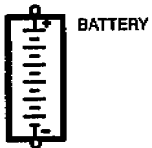
General conventions can be explained based on the following schematic example.





General Conventions

1. Switches and relays are always shown in rest position (e.g. K11).
2. A component shown in a dashed frame signifies that the component is illustrated only in part (e.g. P90 and P91).
3. A component shown in a completely drawn frame signifies that the component is illustrated in full (e.g. K11).
4. The dashed line between pin 8 and pin 6 of connector X293 indicates that both pins belong to connector X293.
5. The dashed line from fuse F1 to pin 8 of connector X293 shows the positive supply of relay K11. If required, refer to cell **0670.3 Fuse Details** at fuse F1 for the complete line progressing with plug connections, line branches, wire colors and cross sections.
6. The dashed line with an arrow at splice X452 indicates that several wires lead to splice X452. All lines leading to the connection are illustrated in cell **6100.0 Central Body Electronics (ZKE)**. An interrupted line with an arrow indicates that only this one wire leads to another circuit.
7. The dashed line from pin 4 of connector X293 to ground X493 shows the ground supply for relay K11. If required, refer to cell **0670.4 Ground Distribution** at ground X493 for the complete line progression with all plug connections, line branches, wire colors, and cross sections.
8. The interrupted line from splice X452 with an **A** in the open arrow is continued on page 6160.0-02. Termination of wire 4 VI/SW from splice X452 with a wavy line indicates that the wire is continued on the opposite page.



BATTERY



HEATING ELEMENT



VARIABLE RESIS-
TANCE SENSOR
VARIABLE CON-
TACT IS MOVED BY
AN EXTERNAL
FORCE



ANTENNA



FUSE DETAILS



LOUDSPEAKER
OR HORN



VARIABLE RESIS-
TOR RESISTANCE
IS CHANGED BY
TEMPERATURE OR
PRESSURE



CONTROL/POWER
ELECTRONICS



FUSIBLE LINK



LIGHT



DIODE CURRENT
CAN FLOW ONLY IN
DIRECTION OF
ARROW



HALL EFFECT
SENSOR



RADIO



CIRCUIT BREAKER



PERMANENT
MAGNET MOTOR
ONE SPEED



ZENER DIODE TO
REGULATE VOLT-
AGE



TRANSISTORIZED
SWITCH



THERMO SWITCH



PERMANENT
MAGNET MOTOR
TWO SPEEDS



LIGHT EMITTING
DIODE



INDUCTIVE
SENSOR



SOLENOID



KNOCK SENSOR



OXYGEN SENSOR



VEHICLE SPEED
SENSOR



SOLENOID CON-
TROLLED VALVE
OR CLUTCH
SOLENOID

Z3



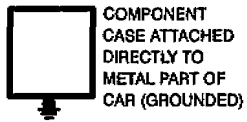
ENTIRE COM-
PONENT SHOWN



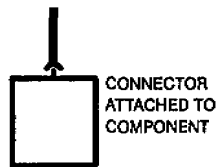
PART OF COM-
PONENT SHOWN



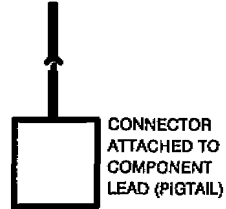
COMPONENT WITH
SCREW TERMIN-
ALS



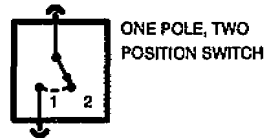
COMPONENT
CASE ATTACHED
DIRECTLY TO
METAL PART OF
CAR (GROUNDED)



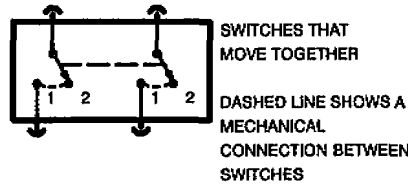
CONNECTOR
ATTACHED TO
COMPONENT



CONNECTOR
ATTACHED TO
COMPONENT
LEAD (PIGTAIL)



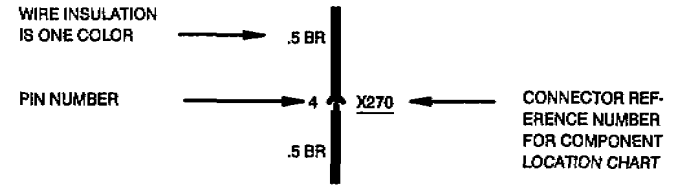
ONE POLE, TWO
POSITION SWITCH



SWITCHES THAT
MOVE TOGETHER

DASHED LINE SHOWS A
MECHANICAL
CONNECTION BETWEEN
SWITCHES

WIRE COLOR	
BL	BLUE
BR	BROWN
GE	YELLOW
GN	GREEN
GR	GRAY
OR	ORANGE
RS	PINK
RT	RED
SW	BLACK
VI	VIOLET
WS	WHITE
TR	TRANSPARENT



WIRE INSULATION
IS ONE COLOR

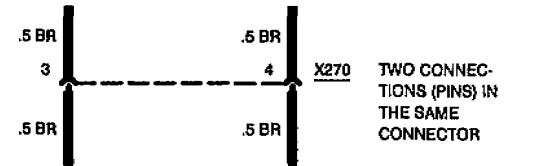
PIN NUMBER

CONNECTOR REF-
ERENCE NUMBER
FOR COMPONENT
LOCATION CHART



WIRE INSULATION
IS ONE COLOR
WITH ANOTHER
COLOR STRIPE
(GREEN WITH
WHITE)

A WAVY LINE
MEANS WIRE IS
CONTINUED

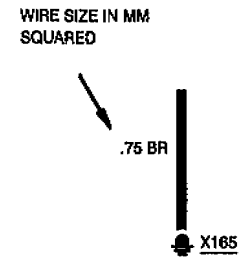


.5 BR
3
.5 BR

.5 BR
4
.5 BR

TWO CONNE-
CTIONS (PINS) IN
THE SAME
CONNECTOR

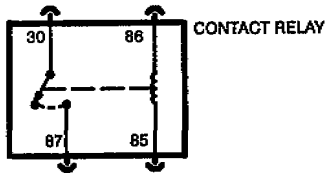
DASHED LINE INDI-
CATES TERMINALS
OF THE SAME
CONNECTOR



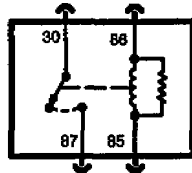
WIRE SIZE IN MM
SQUARED

WIRE ATTACHED
TO METAL PART OF
CAR (GROUNDED)

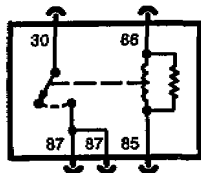
GROUND NUMBERED
FOR REFERENCE ON
COMPONENT LOCATION
CHART



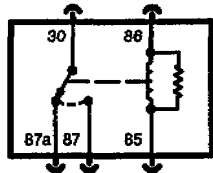
CONTACT RELAY



RELAY WITH RESISTOR ACROSS WINDING



CONTACT RELAY WITH TWO OUTPUTS



CHANGEOVER RELAY WITH TWO OUTPUTS

TERMINAL NUMBER DESCRIPTION

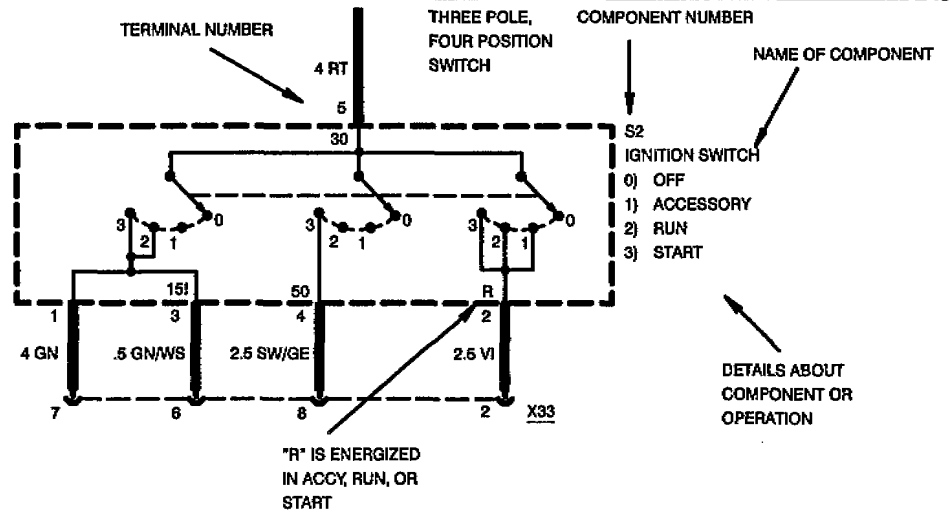
30 RELAY INPUT

85 RELAY OUTPUT (WINDING)

86 RELAY INPUT (WINDING)

87 RELAY OUTPUT (ENERGIZED)

87a RELAY OUTPUT (AT REST)



TERMINAL NUMBER	DESCRIPTION	TERMINAL NUMBER	DESCRIPTION
50	VOLTAGE: IGNITION SWITCH IN START	15I	VOLTAGE: IGNITION SWITCH IN RUN
30	VOLTAGE: SUPPLIED AT ALL TIMES	R	VOLTAGE: IGNITION SWITCH IN ACCESSORY, RUN OR START
15	VOLTAGE: IGNITION SWITCH IN RUN OR START	31	GROUND

HOT AT ALL TIMES



INDICATES THAT FUSE 9 IS SUPPLIED WITH POWER AT ALL TIMES

POWER STATUS

HOT AT ALL TIMES

HOT IN RUN AND START

HOT IN ACCY, RUN AND START

DESCRIPTION

VOLTAGE: SUPPLIED AT ALL TIMES

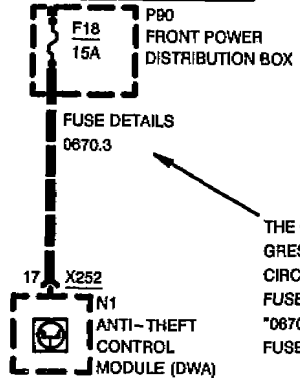
VOLTAGE: IGNITION SWITCH IN RUN OR START

VOLTAGE: IGNITION SWITCH IN ACCESSORY, RUN OR START

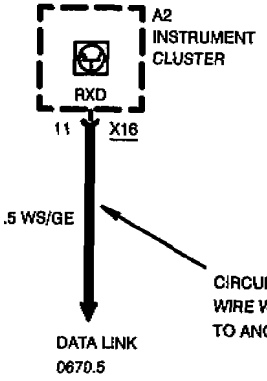
BMW
3 **SYMBOLS**

Z3

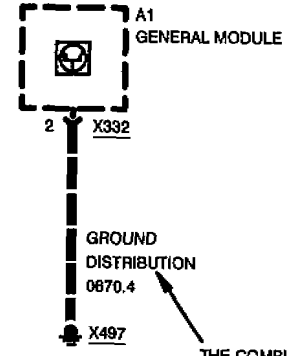
HOT IN ACCY, RUN AND START



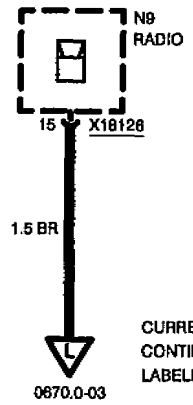
THE COMPLETE WIRE PROGRESSION AND FURTHER CIRCUITS CONNECTED TO FUSE 18 ARE SHOWN IN CELL "0670.3 FUSE DETAILS" AT FUSE 18



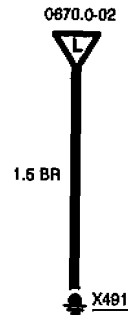
CIRCUIT REFERENCE—A WIRE WHICH CONNECTS TO ANOTHER CIRCUIT



THE COMPLETE WIRE PROGRESSION AND FURTHER CIRCUITS CONNECTED TO GROUND X497 ARE SHOWN IN CELL "0670.4 GROUND DISTRIBUTION" AT GROUND X497



CURRENT PATH IS CONTINUED AS LABELED

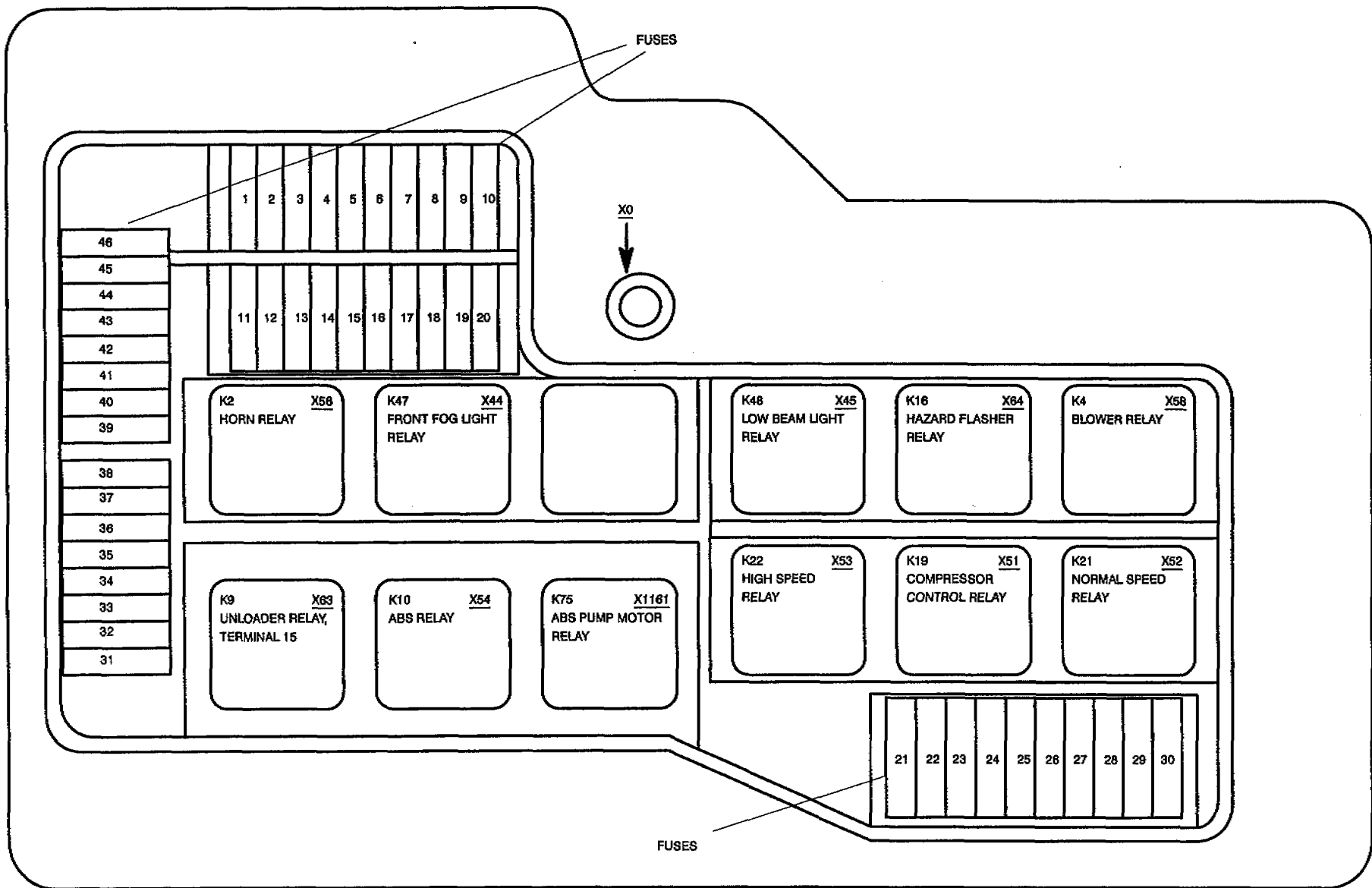


ARROW SHOWS DIRECTION OF CURRENT FLOW AND IS REPEATED WHERE CURRENT PATH CONTINUES



POWER DISTRIBUTION CHART

FRONT POWER DISTRIBUTION BOX



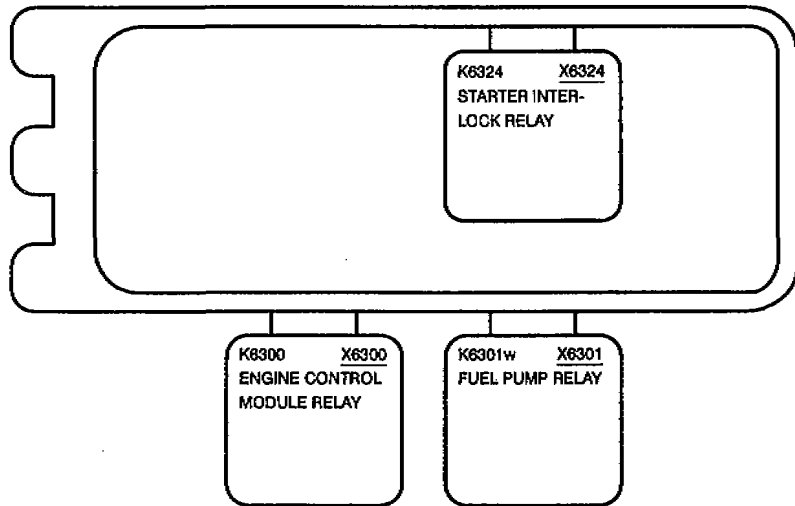


3
Z3

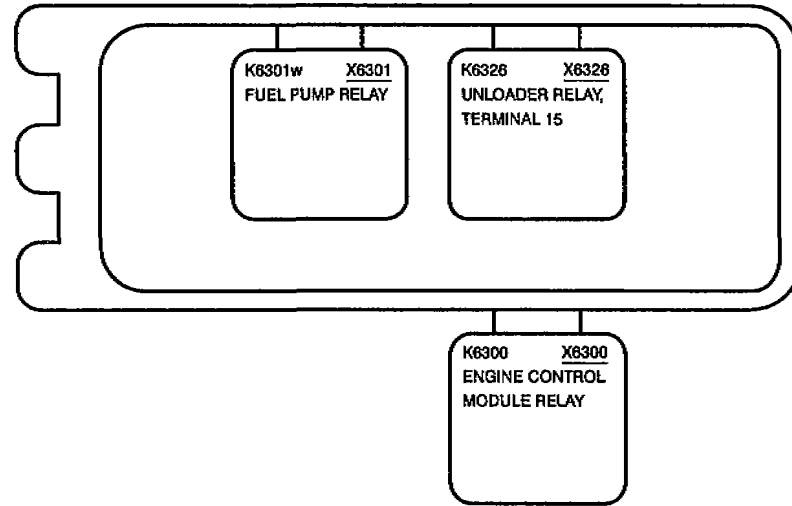
POWER DISTRIBUTION CHART

IN E-BOX

EARLY PRODUCTION



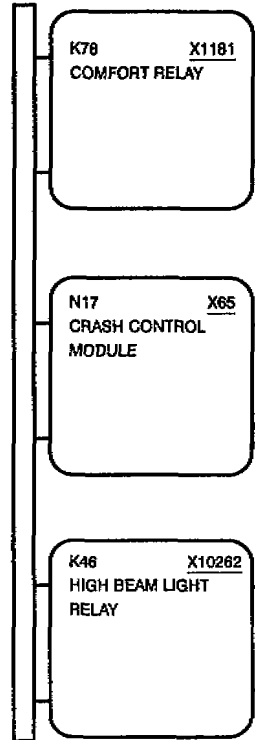
LATE PRODUCTION





POWER DISTRIBUTION CHART

RELAY PANEL UNDER LH SIDE OF DASHBOARD



BMW
3
Z3

0670.1



FUSE CHART

FUSES 1 TO 29

Z3

	FUSE NUMBER																													
	1	2	3	4	5	6	7	8	9	10	11	12	13	14	15	16	17	18	19	20	21	22	23	24	25	26	27	28	29	
	15A	15A	15A	30A	20A	5A	15A	20A	30A	7.5A	7.5A	30A	30A	15A	5A	15A	30A	30A	5A	5A	5A	10A	5A	10A	5A	5A	5A	7.5A		
1210.20 ENGINE CONTROL SYSTEM (DME M5.2, 4-CYLINDER M44)																●		●												
1230.0 CHARGING SYSTEM																														
1240.0 START																													●	
1290.0 E-BOX FAN																		●												
2460.2 ELECTRONIC TRANSMISSION CONTROL (EGS A4S 310R)																											●		●	
3234.0 SUPPLEMENTAL RESTRAINT SYSTEM (AIR BAG)																														
3450.0 SLIP CONTROL (ABS)										●											●							●		
3450.1 SLIP CONTROL (ABS/ASC)										●											●							●		
5116.0 POWER MIRRORS																														
5126.0 ZKE CENTRAL LOCKING (ZV)							●																							
5126.2 CENTRAL LOCKING MODULE II (ZVM II)							●																							
5133.0 ZKE POWER WINDOWS (FH)																														
5133.1 POWER WINDOWS (FH)													●																	
5200.0 POWER SEATS					●																●									
5203.0 HEATED SEATS				●																			●							
6100.0 CENTRAL BODY ELECTRONICS (ZKE IV)																														
6133.0 HORN								●																						
6135.0 DRIVE-AWAY PROTECTION (EWS II)																													●	
6160.1 WIPER/WASHER MODULE (WWM)			●																											
6167.1 HEADLIGHT WASHER (SRA)			●																											



FUSE CHART

FUSES 1 TO 29

	FUSE NUMBER																												
	1	2	3	4	5	6	7	8	9	10	11	12	13	14	15	16	17	18	19	20	21	22	23	24	25	26	27	28	29
	15A	15A	15A	30A	20A	5A	15A	20A	30A	7.5A	7.5A	30A	30A	15A	5A	15A	30A	30A	5A	5A	5A	10A	5A	10A	5A	5A	7.5A		
6169.0 WINDSHIELD WASHER JET HEATERS																													
6211.0 INSTRUMENT CLUSTER																													
6213.3 DIGITAL CLOCK																													
6300.0 LIGHT SWITCH DETAILS																													
6312.0 HEADLIGHTS/FOG LIGHTS																													
6313.0 TURN/HAZARD LIGHTS																													
6314.0 PARK/TAIL/UNDERHOOD LIGHTS																													
6320.0 LICENSE PLATE/LUGGAGE COMPARTMENT LIGHTS																													
6322.0 BACK UP LIGHTS																													
6325.0 BRAKE LIGHTS																													
6330.3 INTERIOR LIGHTS																													
6332.0 INTERIOR ACCESSORIES																													
6350.0 CRASH CONTROL MODULE																													
6424.0 REAR WINDOW DEFOGGER/ANTENNA																													
6450.6 INTEGRATED HEATING- AND CLIMATE CONTROL																													
6510.1 RADIO/HIFI																													
6510.2 RADIO PROVISIONS																													
6561.0 CELLULAR TELEPHONE (PROVISIONS)																													
6571.0 CRUISE CONTROL (TEMPOMAT)																													
6575.2 ANTI-THEFT SYSTEM (ALPINE)																													



FUSE CHART

FUSES 1 TO 29

Z3

		FUSE NUMBER																												
		1	2	3	4	5	6	7	8	9	10	11	12	13	14	15	16	17	18	19	20	21	22	23	24	25	26	27	28	29
6581.3	BOARD COMPUTER (BC-LOW)	15A	15A	15A	30A	20A	5A	15A	20A	30A	7.5A	7.5A	30A	30A	15A	5A		15A	30A	30A	5A	5A	5A	10A	5A	10A	5A	5A	7.5A	



FUSE CHART

FUSES 30 TO 48

Z3

	FUSE NUMBER																		
	30	31	32	33	34	35	36	37	38	39	40	41	42	43	44	45	46	47	48
	7.5A	5A	30A	10A	15A	25A	30A	10A	30A	7.5A	30A	15A	5A	5A	15A	7.5A	15A		40A
1210.20 ENGINE CONTROL SYSTEM (DME M5.2, 4-CYLINDER M44)																			
1230.0 CHARGING SYSTEM																			
1240.0 START		●																	
1290.0 E-BOX FAN																			
2460.2 ELECTRONIC TRANSMISSION CONTROL (EGS A4S 310R)																	●		
3234.0 SUPPLEMENTAL RESTRAINT SYSTEM (AIR BAG)												●	●						
3450.0 SLIP CONTROL (ABS)									●								●		
3450.1 SLIP CONTROL (ABS/ASC)									●								●		
5116.0 POWER MIRRORS																			
5126.0 ZKE CENTRAL LOCKING (ZV)						●								●					
5126.2 CENTRAL LOCKING MODULE II (ZVM II)						●								●					
5133.0 ZKE POWER WINDOWS (FH)																			
5133.1 POWER WINDOWS (FH)																			
5200.0 POWER SEATS																			
5203.0 HEATED SEATS																			
6100.0 CENTRAL BODY ELECTRONICS (ZKE IV)				●		●								●					
6133.0 HORN																			
6135.0 DRIVE-AWAY PROTECTION (EWS II)		●														●			
6160.1 WIPER/WASHER MODULE (WWM)							●	●							●				
6167.1 HEADLIGHT WASHER (SRA)							●								●				



FUSE CHART

FUSES 30 TO 48

Z3

	FUSE NUMBER																		
	30	31	32	33	34	35	36	37	38	39	40	41	42	43	44	45	46	47	48
	7.5A	5A	30A	10A	16A	25A	30A	10A	30A	7.5A	30A	15A	5A	5A	15A	7.5A	15A		40A
6169.0 WINDSHIELD WASHER JET HEATERS																			
6211.0 INSTRUMENT CLUSTER		●											●				●		
6213.3 DIGITAL CLOCK		●														●			
6300.0 LIGHT SWITCH DETAILS				●				●											
6312.0 HEADLIGHTS/FOG LIGHTS	●																		
6313.0 TURN/HAZARD LIGHTS					●														
6314.0 PARK/TAIL/UNDERHOOD LIGHTS				●				●											
6320.0 LICENSE PLATE/LUGGAGE COMPARTMENT LIGHTS				●				●											
6322.0 BACK UP LIGHTS																			
6325.0 BRAKE LIGHTS																	●		
6330.3 INTERIOR LIGHTS				●										●					
6332.0 INTERIOR ACCESSORIES			●					●											
6350.0 CRASH CONTROL MODULE					●														
6424.0 REAR WINDOW DEFOGGER/ANTENNA																			
6450.6 INTEGRATED HEATING- AND CLIMATE CONTROL										●	●								●
6510.1 RADIO/HIFI																●			
6510.2 RADIO PROVISIONS																●			
6561.0 CELLULAR TELEPHONE (PROVISIONS)				●											●				
6571.0 CRUISE CONTROL (TEMPOMAT)																	●		
6575.2 ANTI-THEFT SYSTEM (ALPINE)	●													●					



3

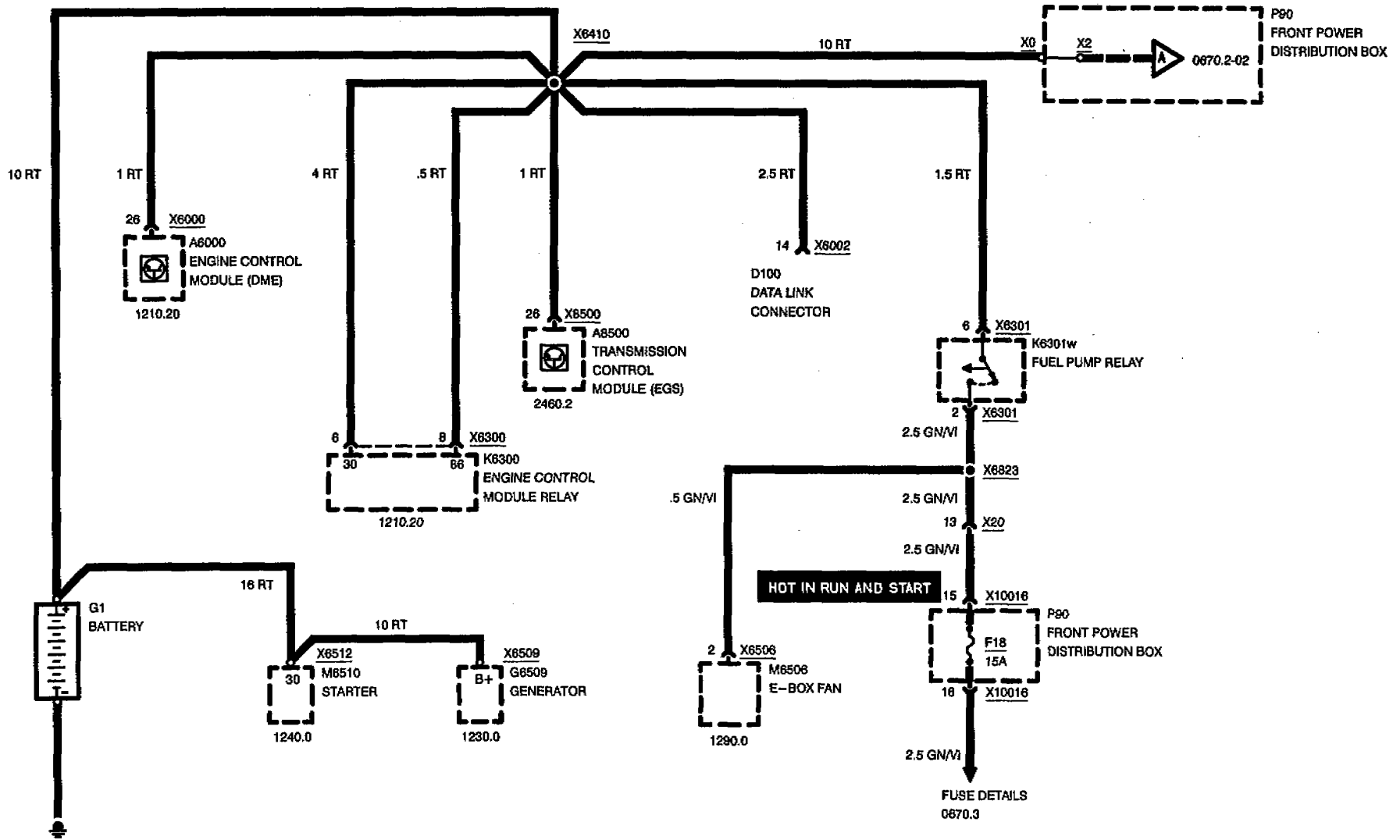
FUSE CHART

FUSES 30 TO 48

Z3

FUSE NUMBER																		
30	31	32	33	34	35	36	37	38	39	40	41	42	43	44	45	46	47	48
7.5A	5A	30A	10A	15A	25A	30A	10A	30A	7.5A	30A	15A	5A	5A	15A	7.5A	15A		40A
	●															●		

6581.3 BOARD COMPUTER (BC-LOW)

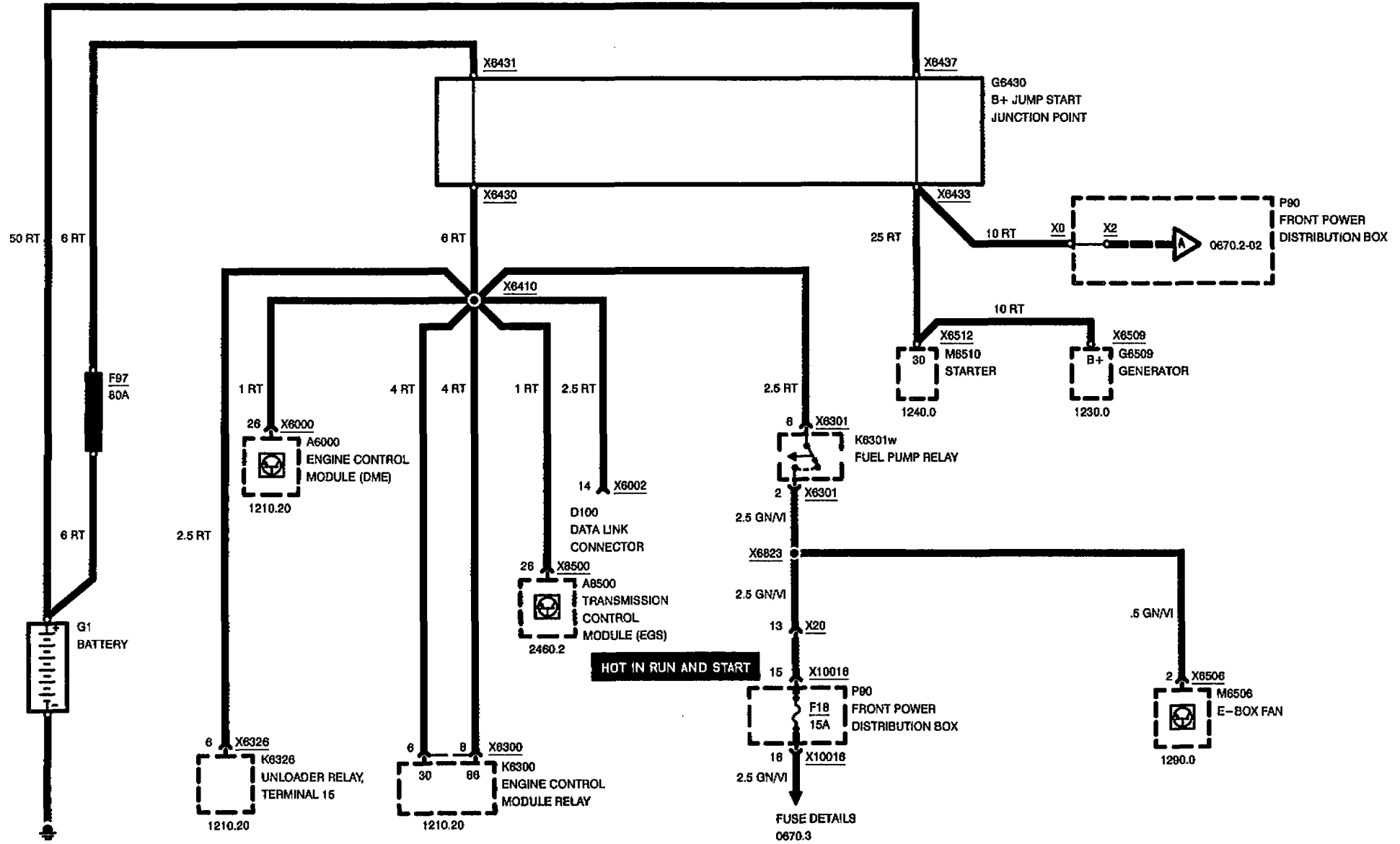




POWER DISTRIBUTION

LATE PRODUCTION

Z3



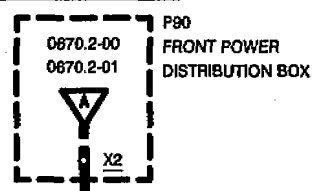
04/97

0670.2-01

1996

POWER DISTRIBUTION

HOT AT ALL TIMES



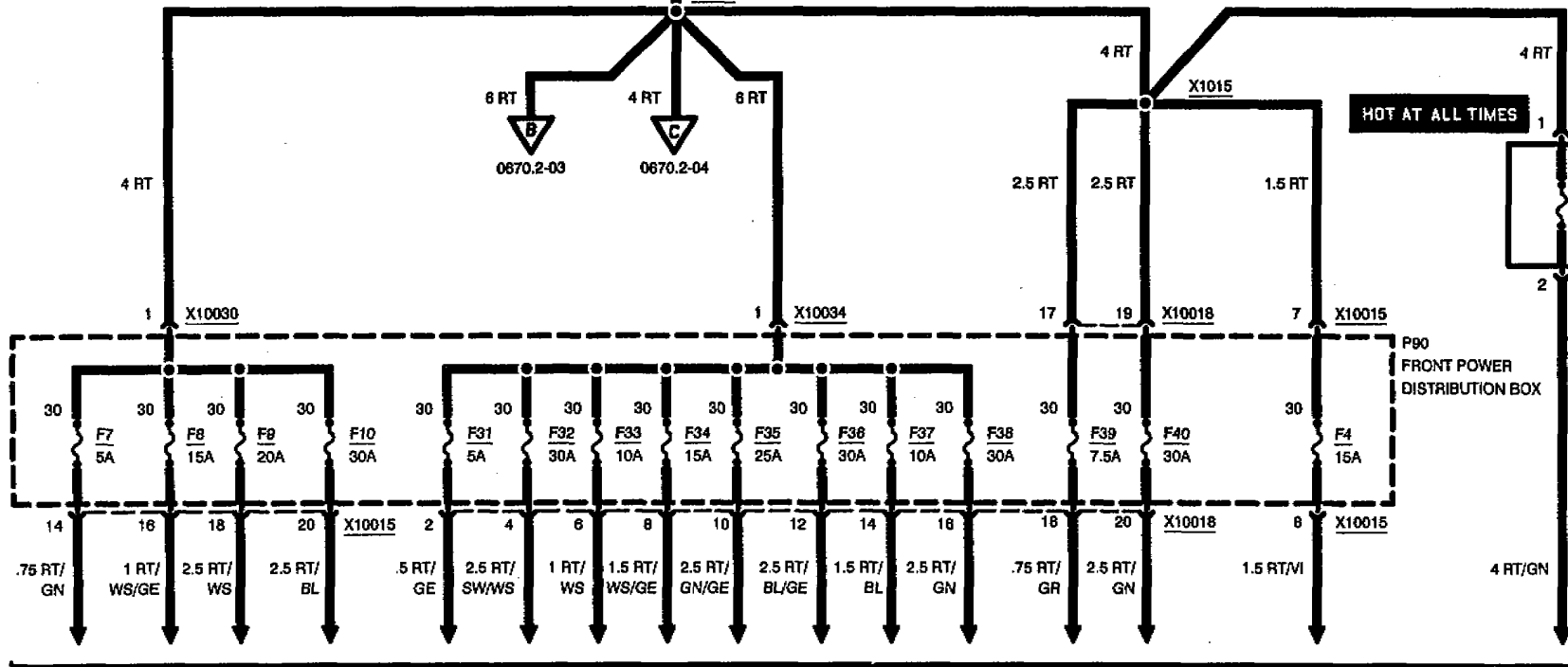
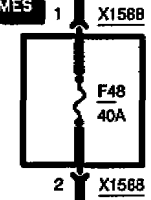
16 RT

X1188

LATE PRODUCTION



HOT AT ALL TIMES

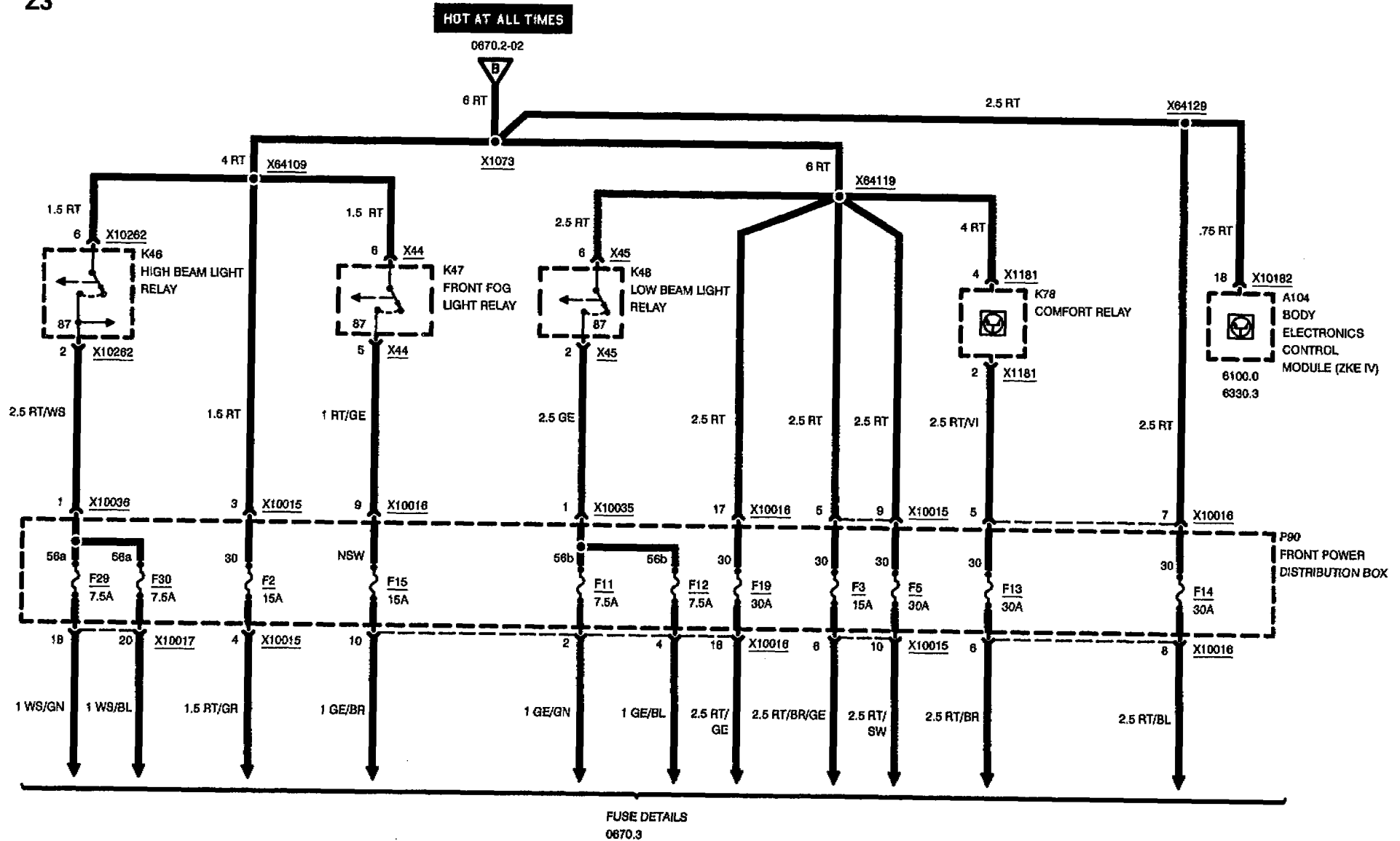


FUSE DETAILS
0670.3



Z3

POWER DISTRIBUTION

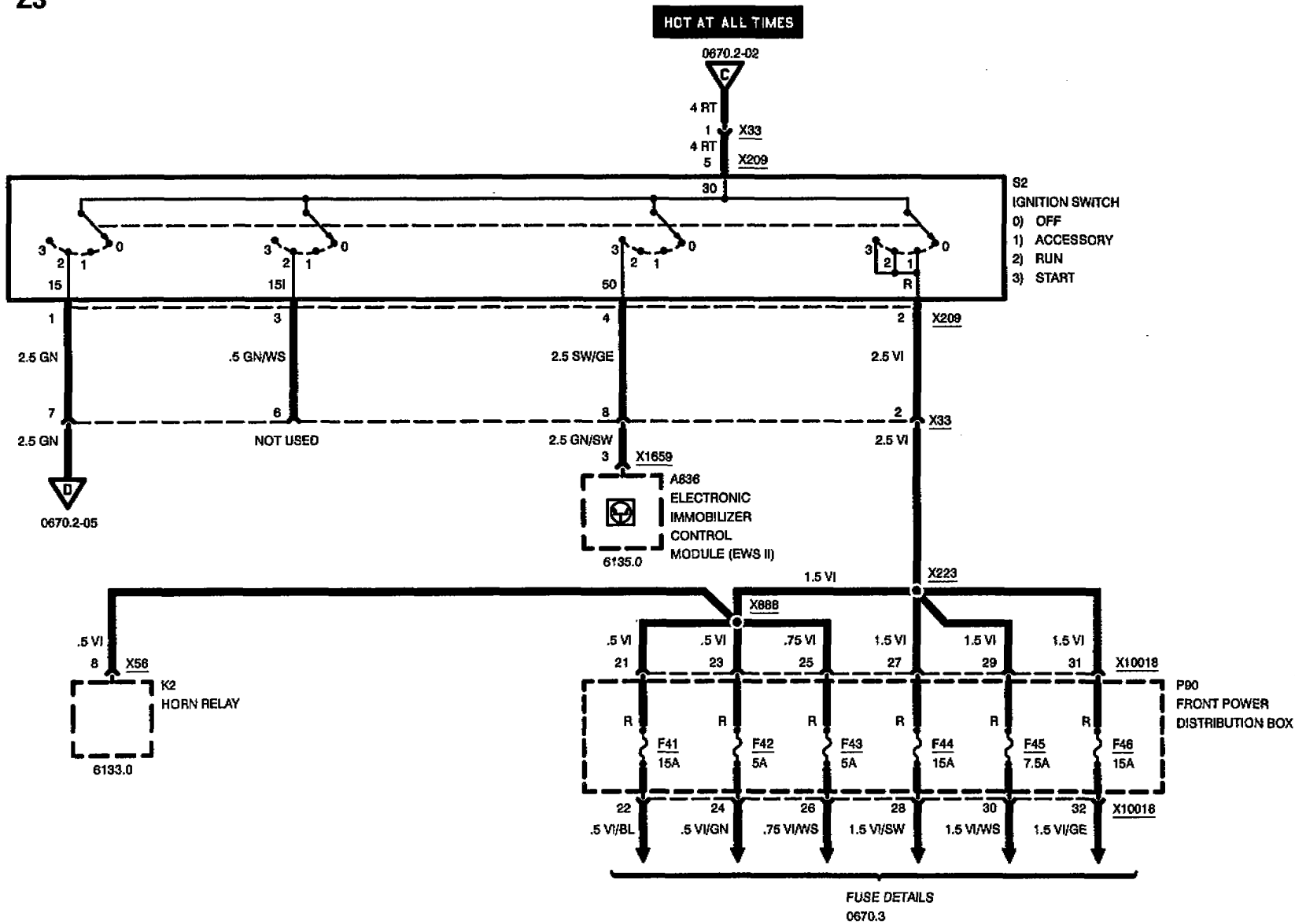


04/97

0670.2-03

1996

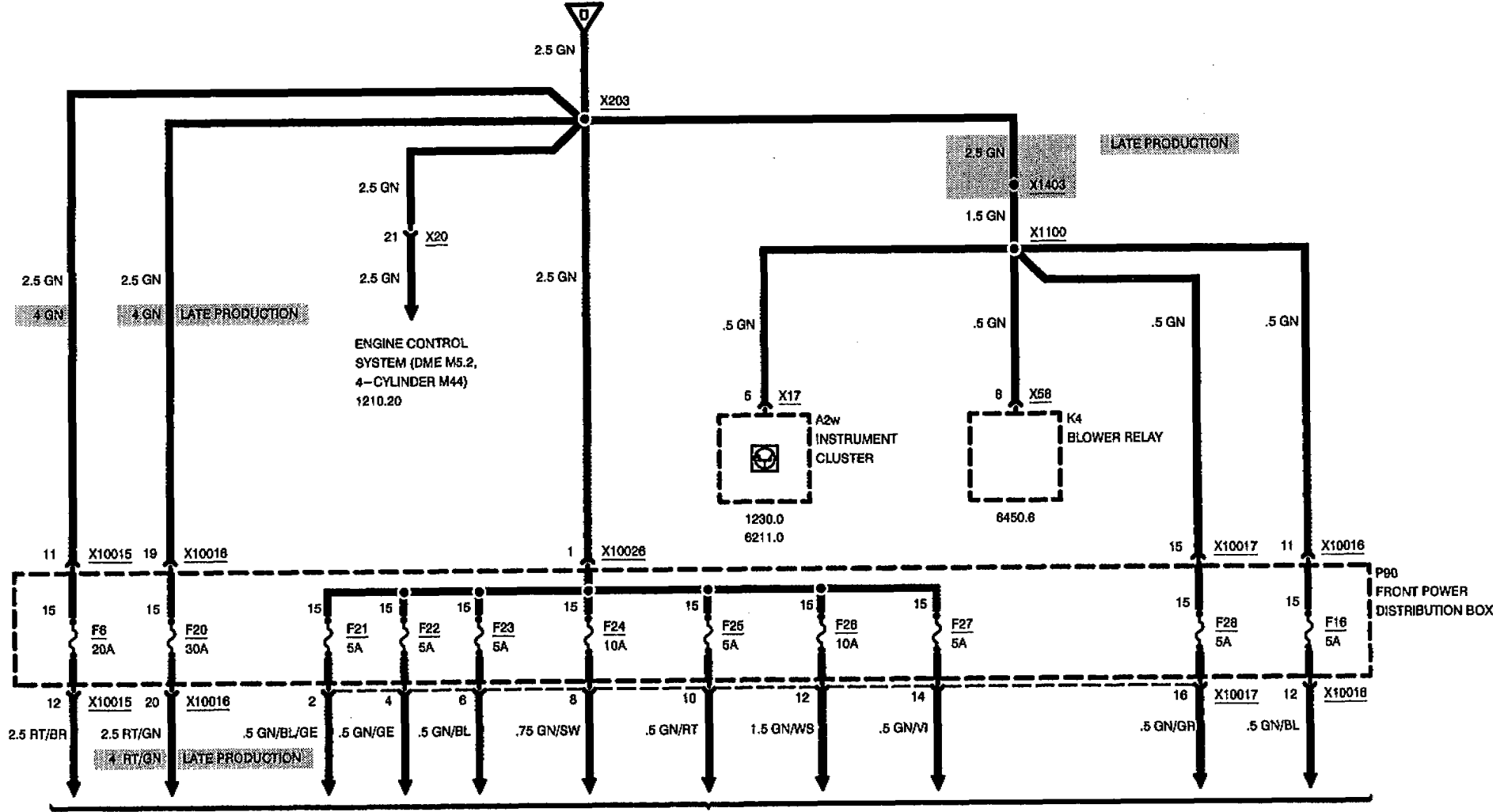
POWER DISTRIBUTION



POWER DISTRIBUTION

HOT IN RUN AND START

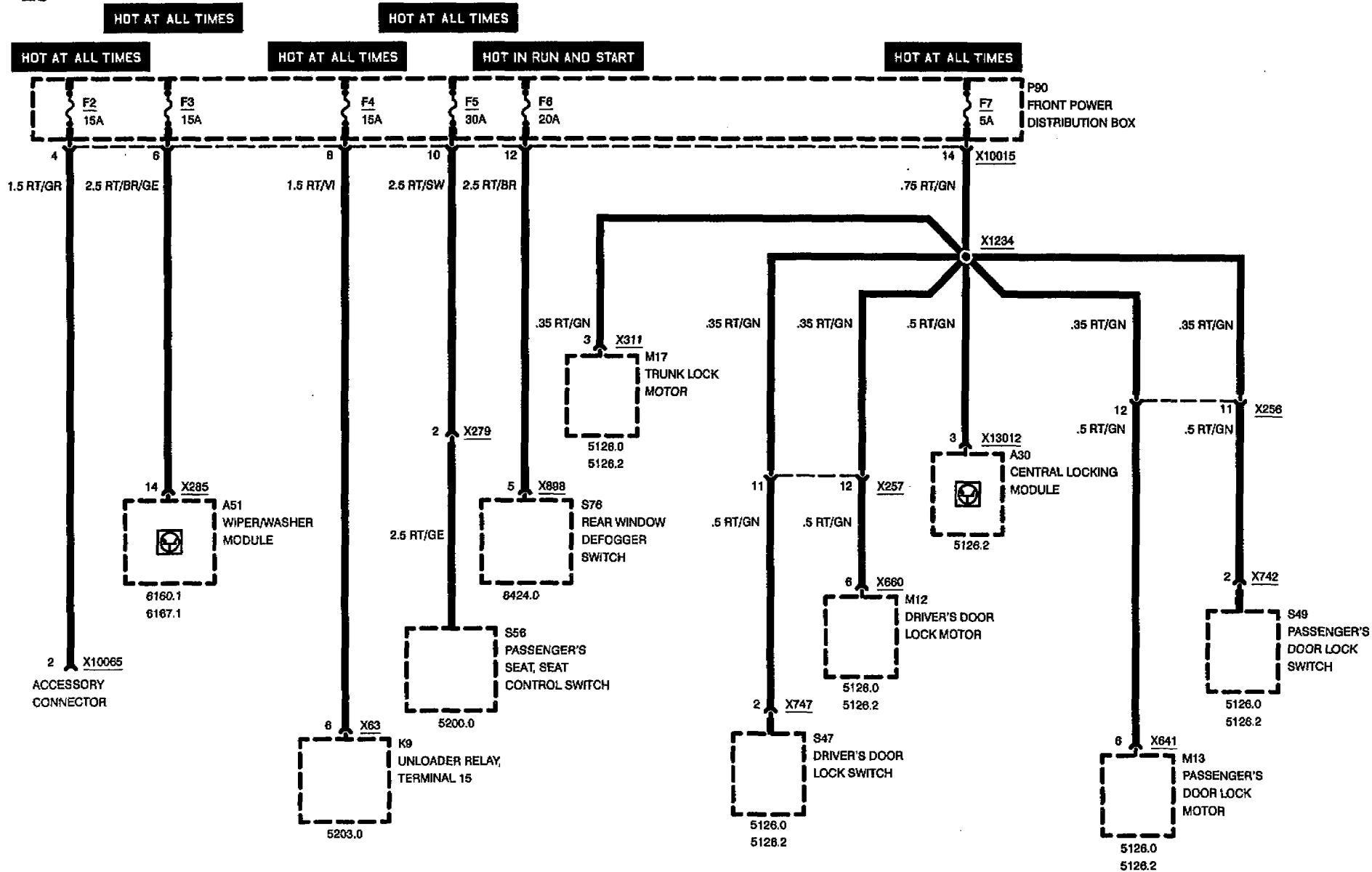
0670.2-04



FUSE DETAILS
0670.3

FUSE DETAILS

FUSES 2, 3, 4, 5, 6, AND 7

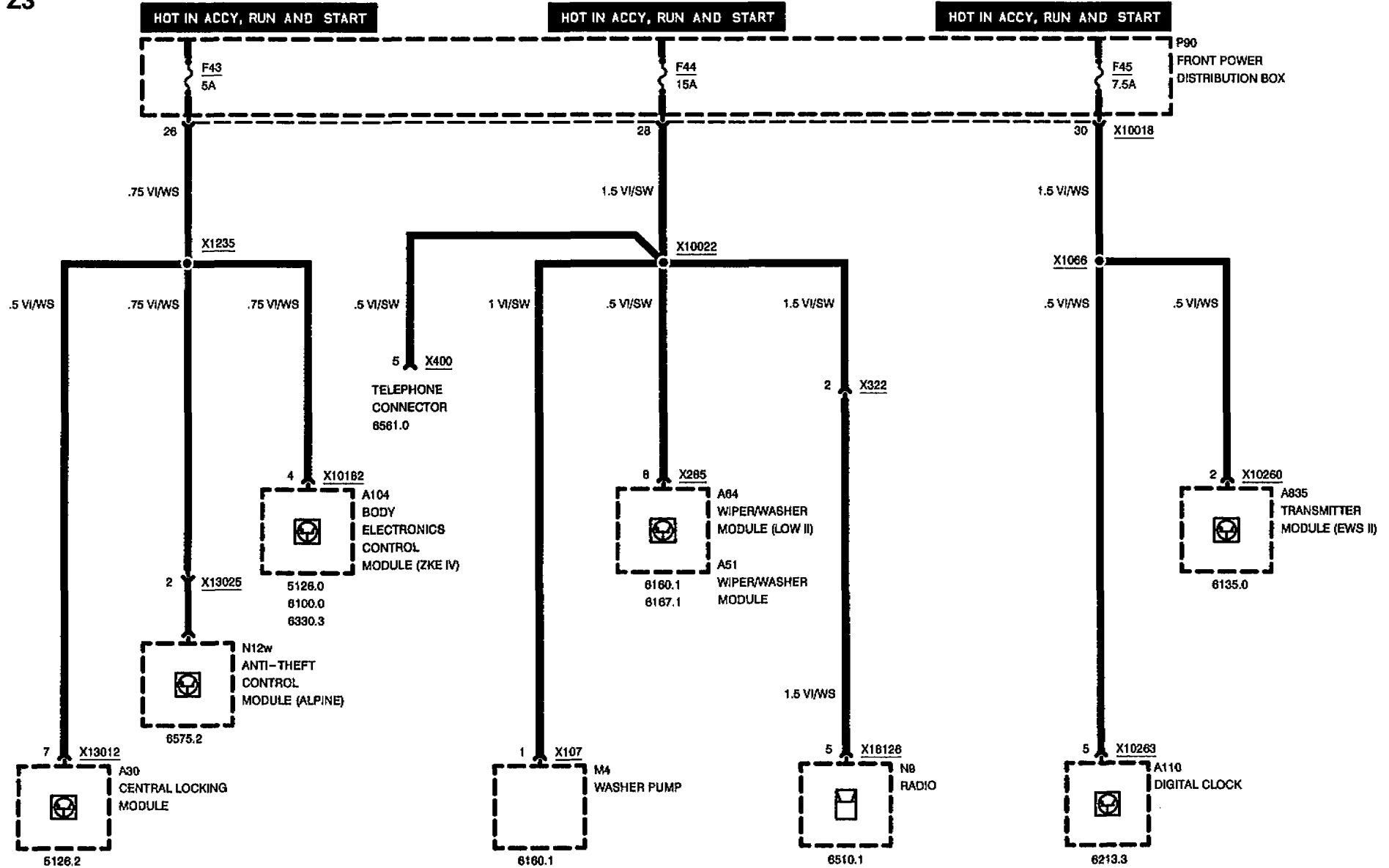




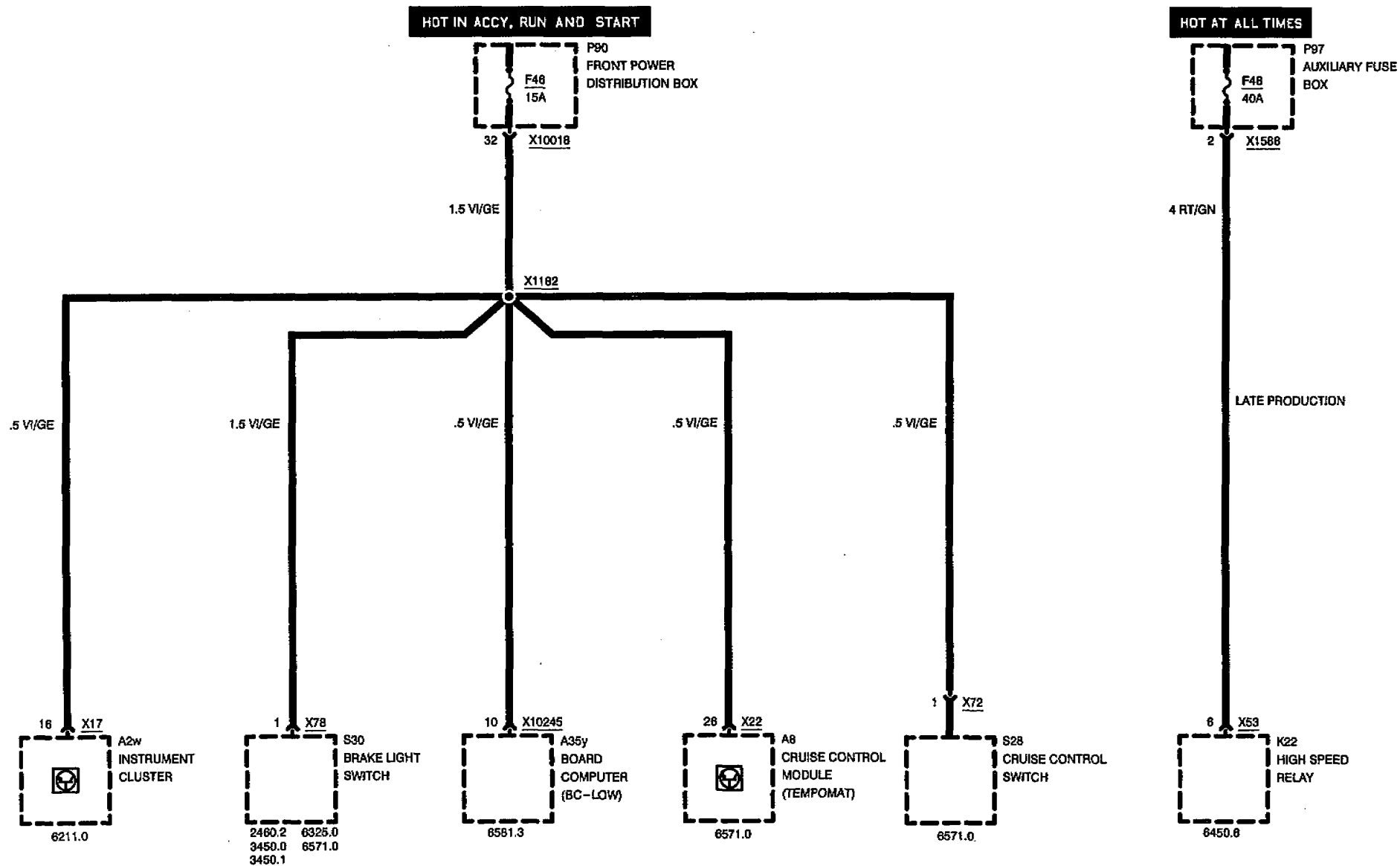
FUSE DETAILS

FUSES 43, 44, AND 45

Z3



FUSE DETAILS
FUSES 46 AND 48



BMW
3
Z3

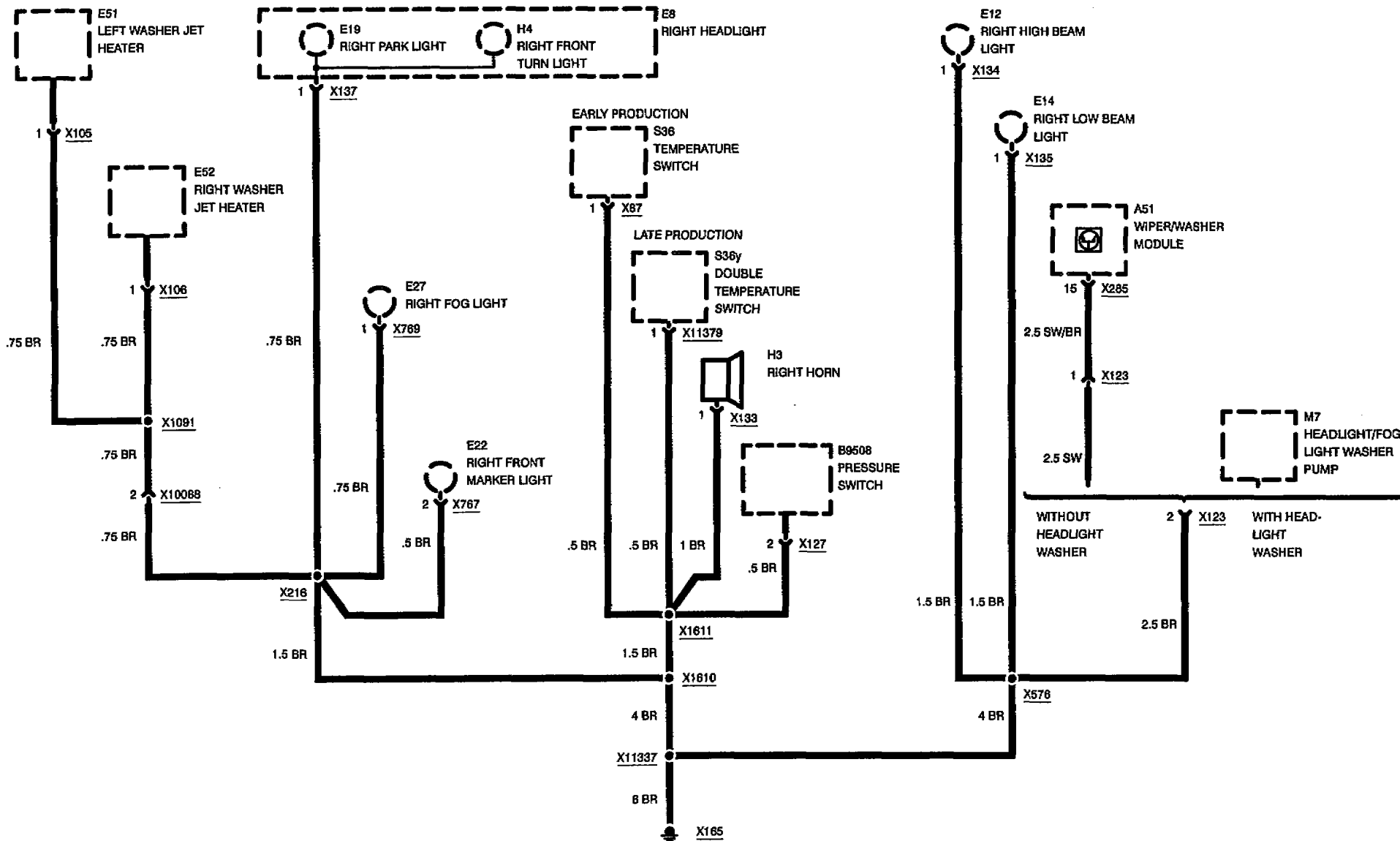
0670.4



Z3

GROUND DISTRIBUTION

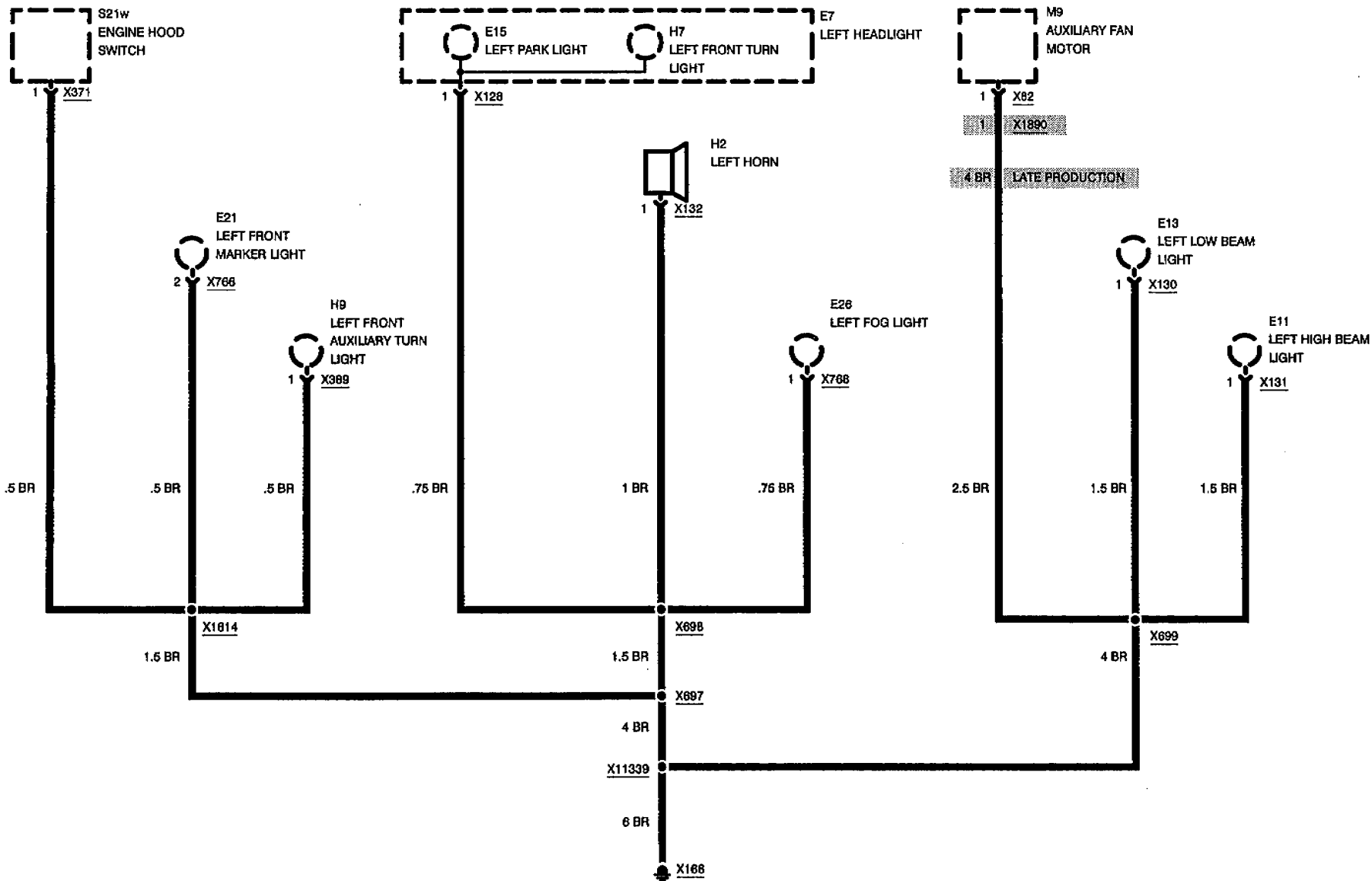
GROUND X165





GROUND DISTRIBUTION

GROUND X166



04/97

0670.4-01

1996

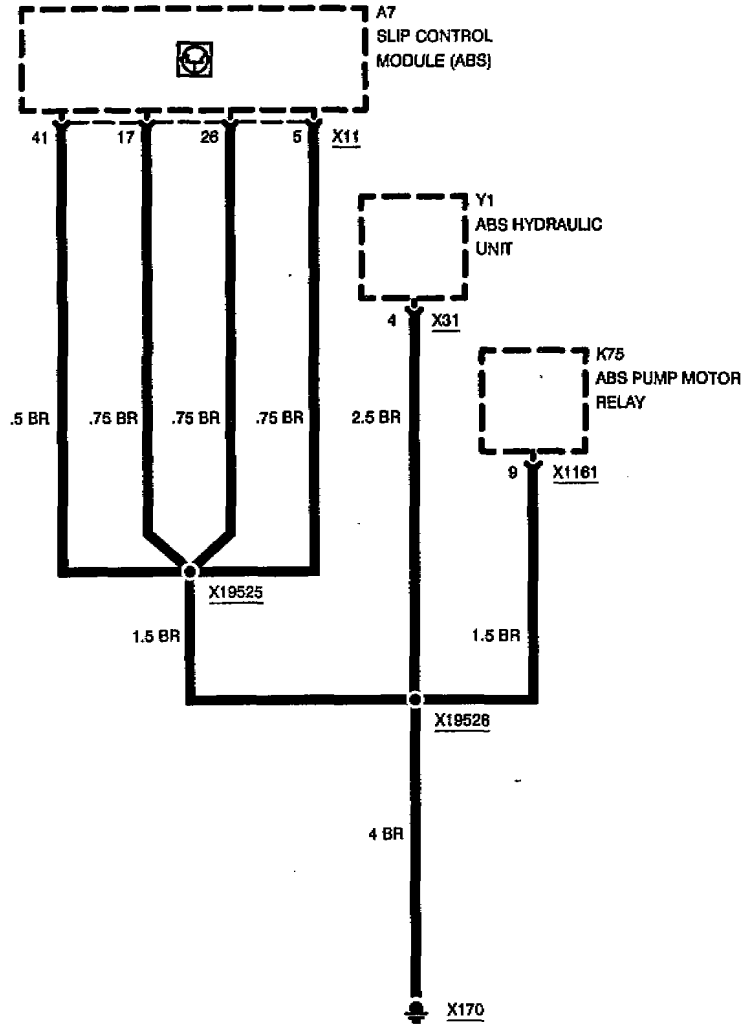


GROUND DISTRIBUTION

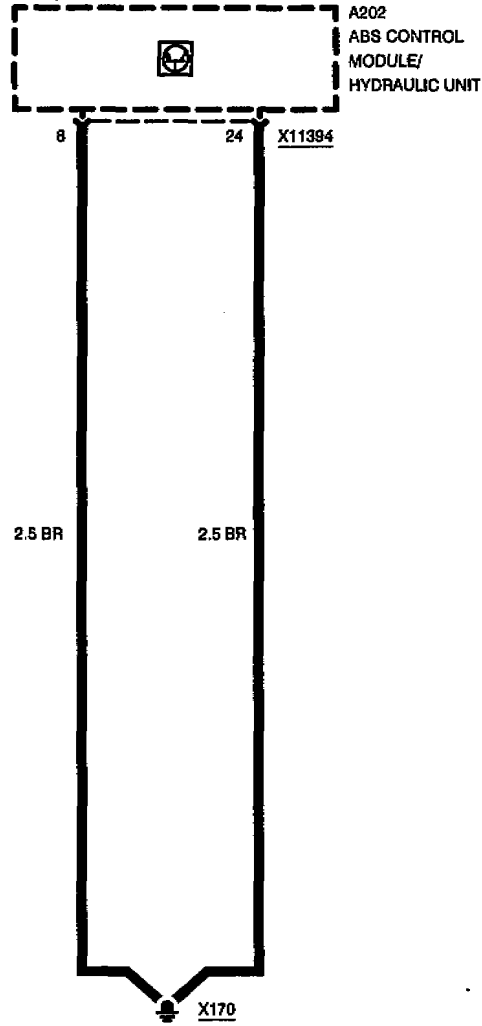
GROUND X170

Z3

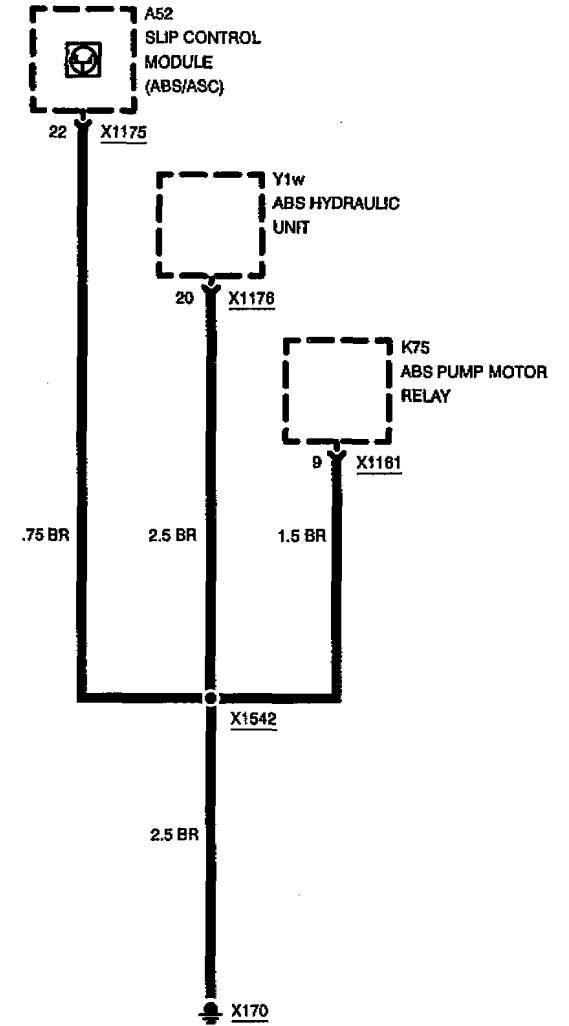
WITH ABS
EARLY PRODUCTION



WITH ABS
LATE PRODUCTION



WITH ASC

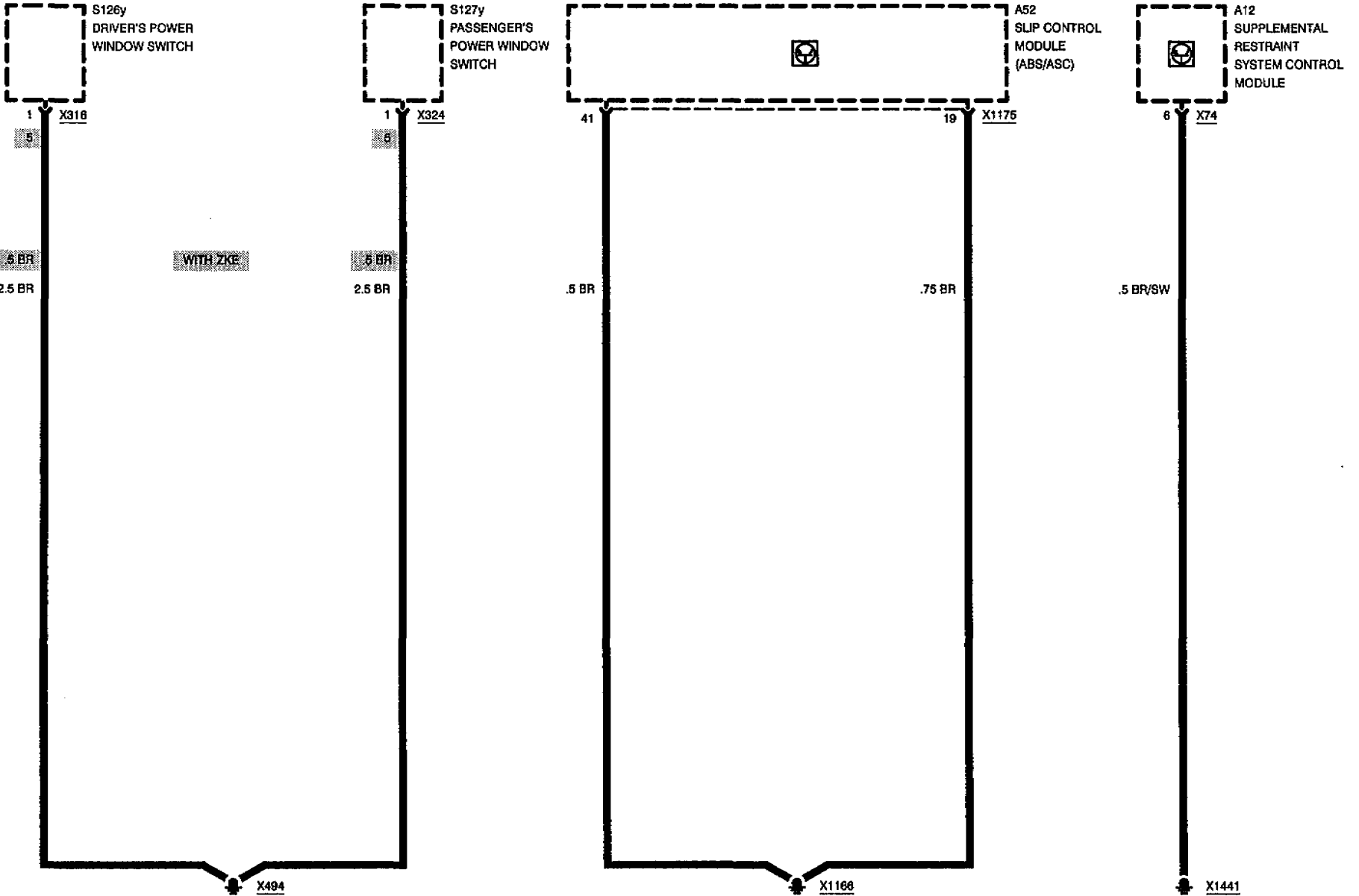




GROUND DISTRIBUTION

GROUNDS X494, X1166, AND X1441

Z3

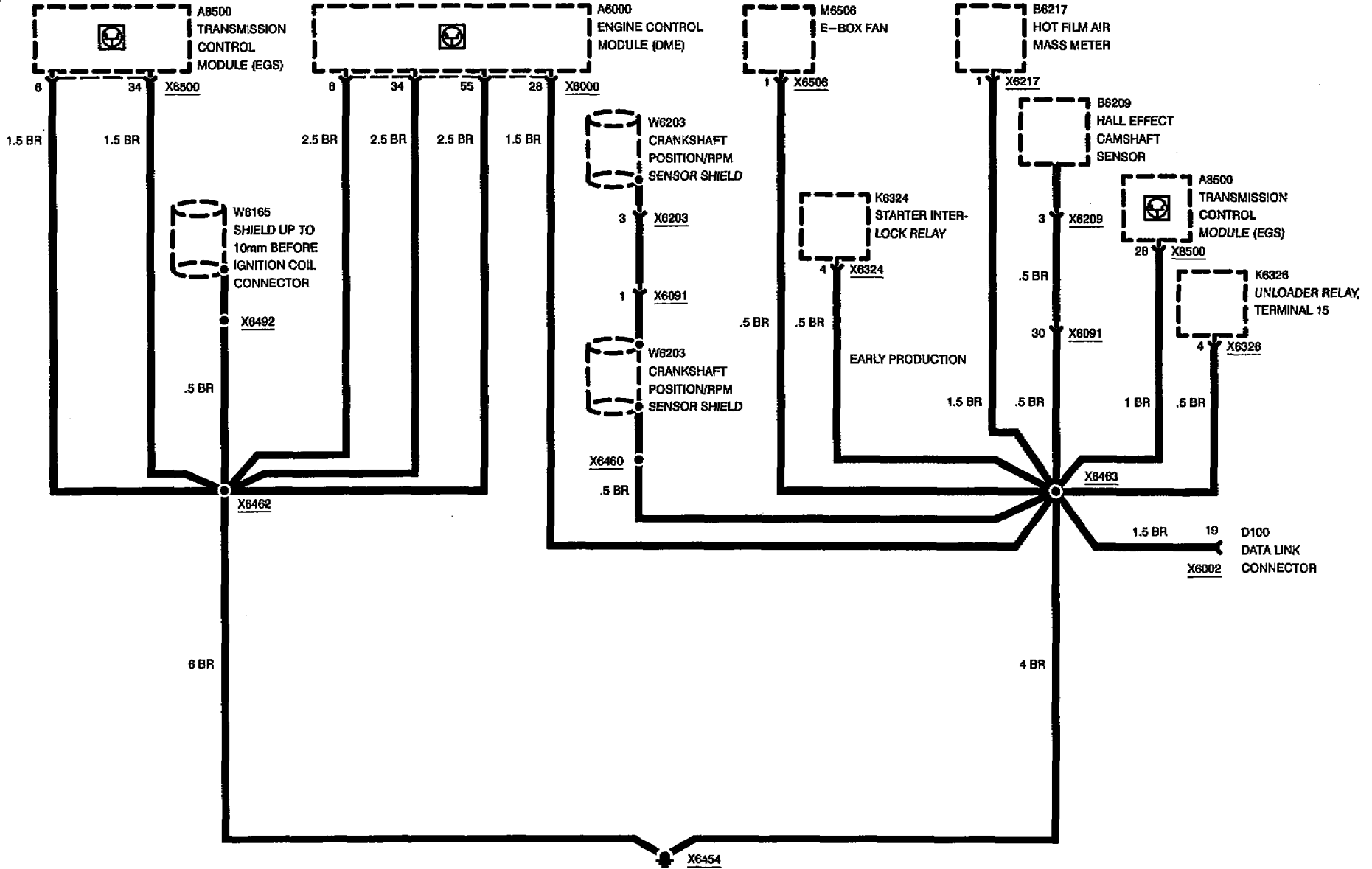




Z3

GROUND DISTRIBUTION

GROUND X6454



04/97

0670.4-04

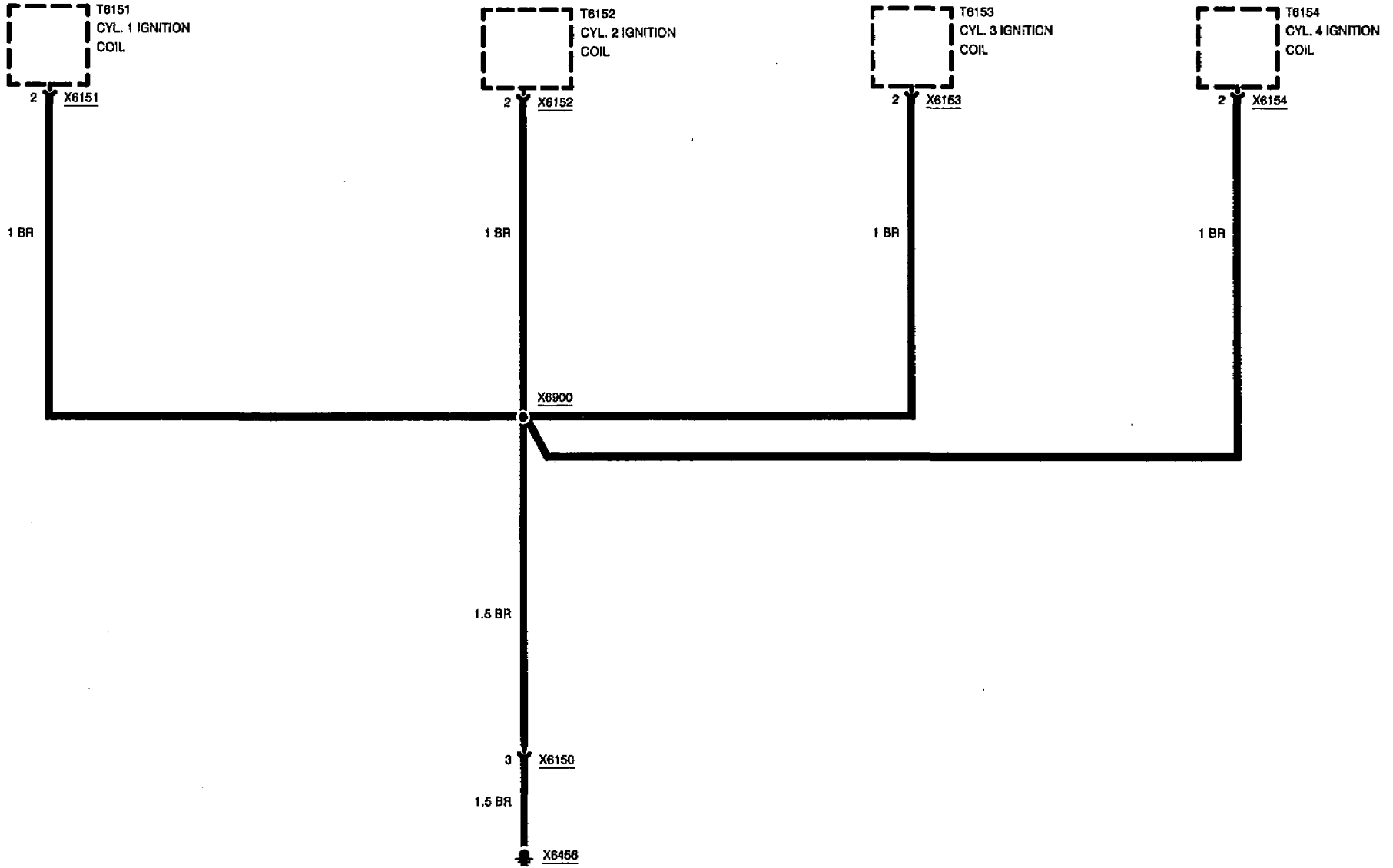
1996



GROUND DISTRIBUTION

GROUND X6456

Z3

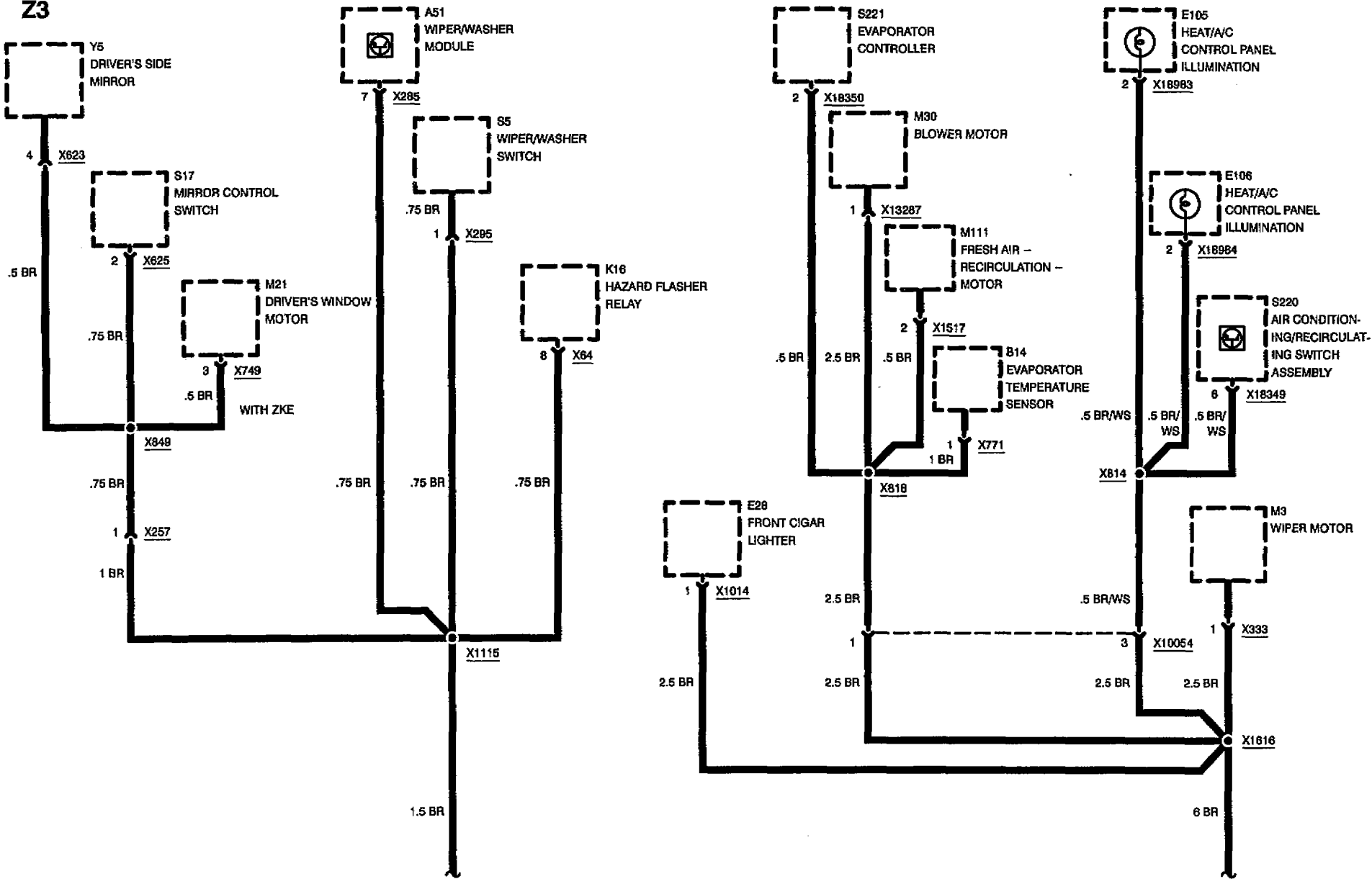




GROUND DISTRIBUTION

GROUND X9633

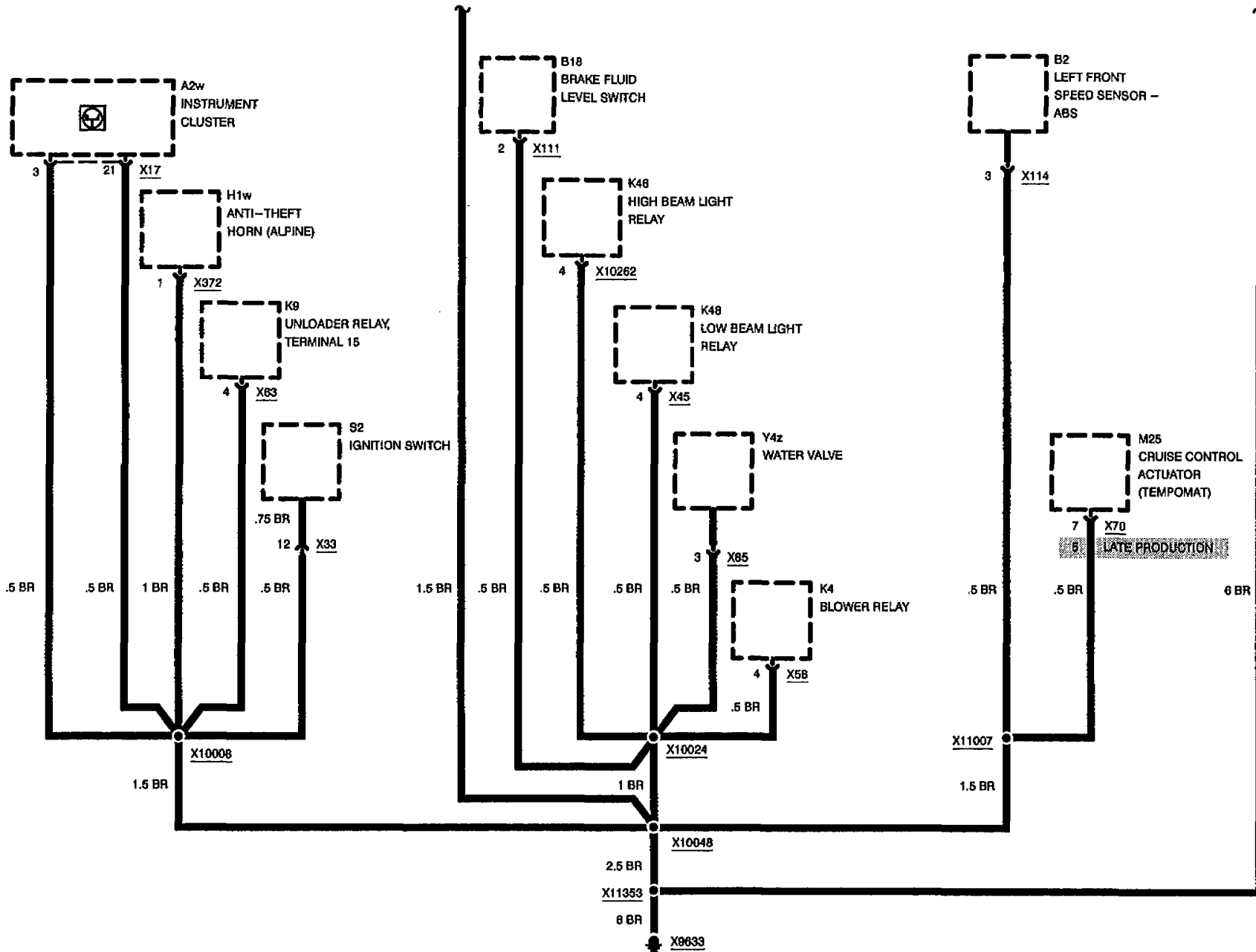
Z3



04/97

0670.4-06

1996

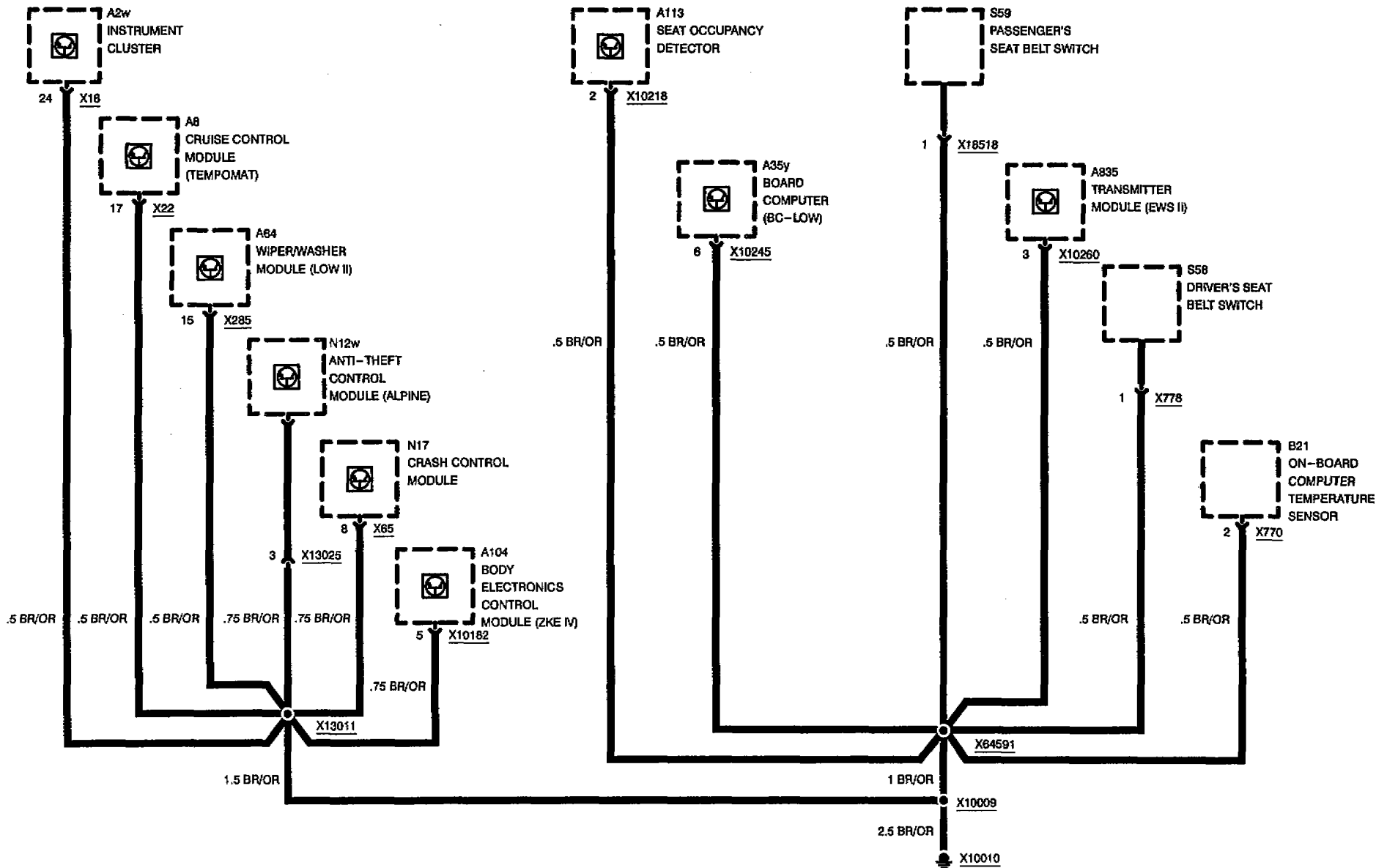




GROUND DISTRIBUTION

GROUND X10010

Z3

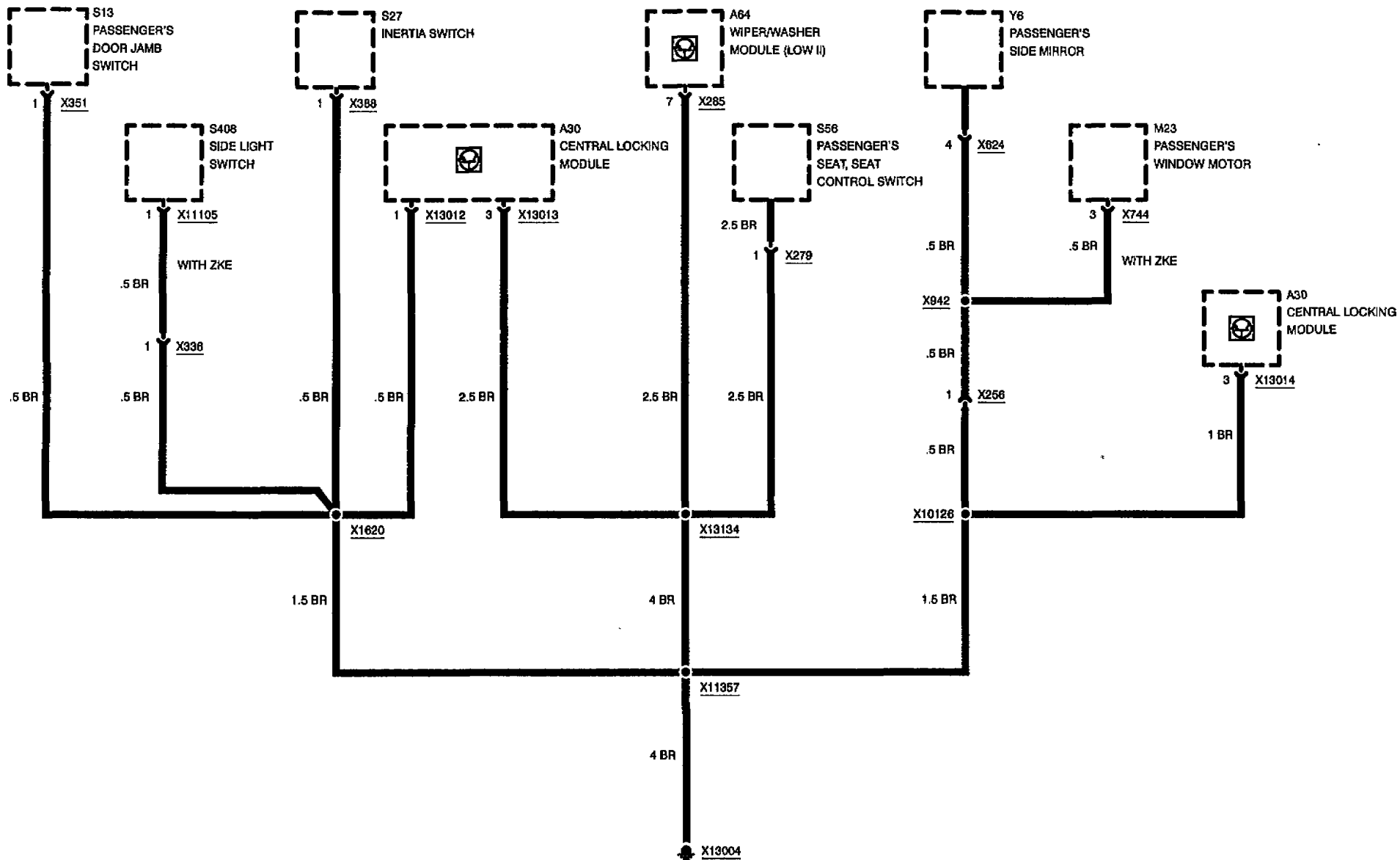




GROUND DISTRIBUTION

GROUND X13004

Z3



04/97

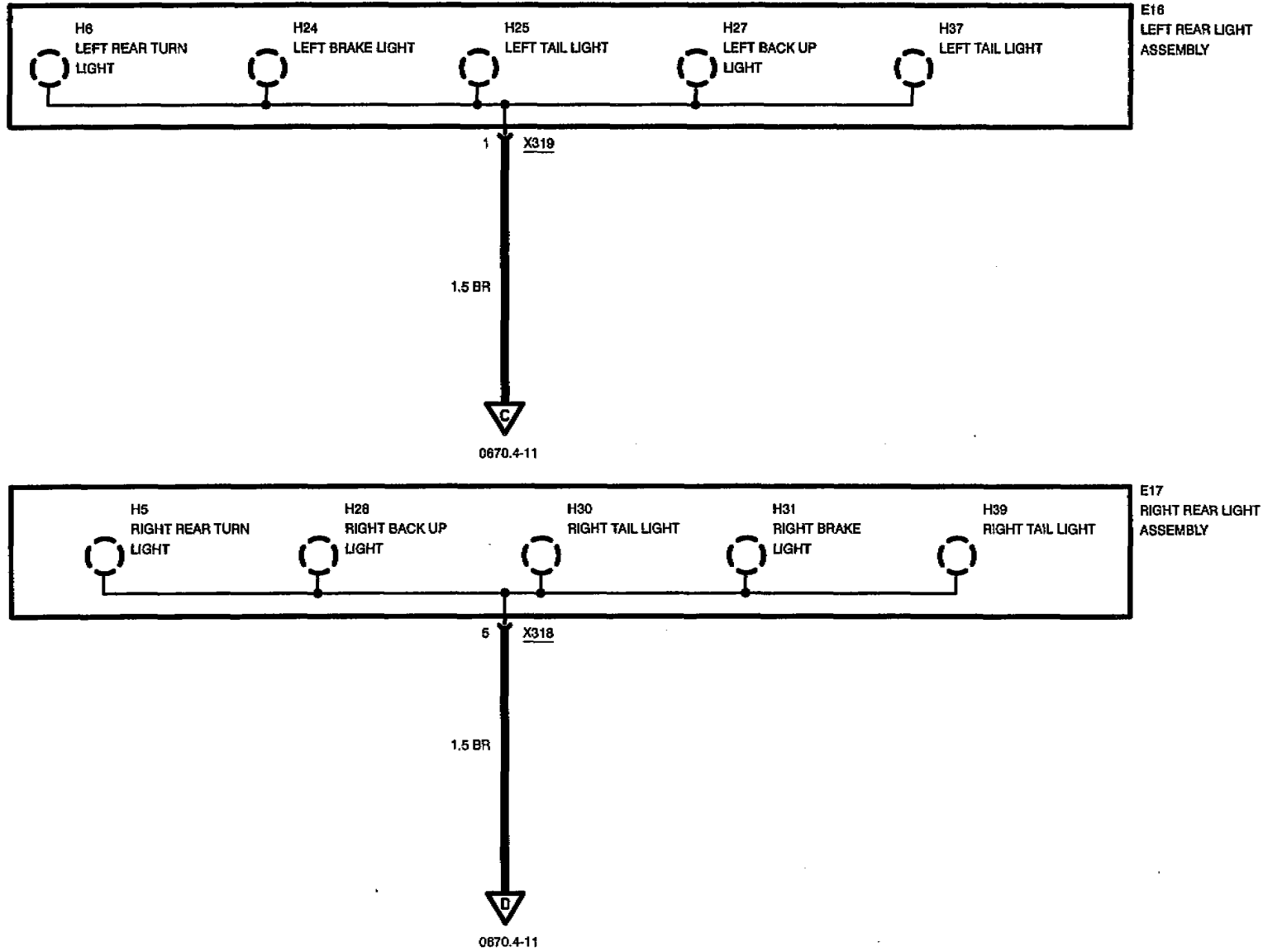
0670.4-09

1996



GROUND DISTRIBUTION

GROUND X13006

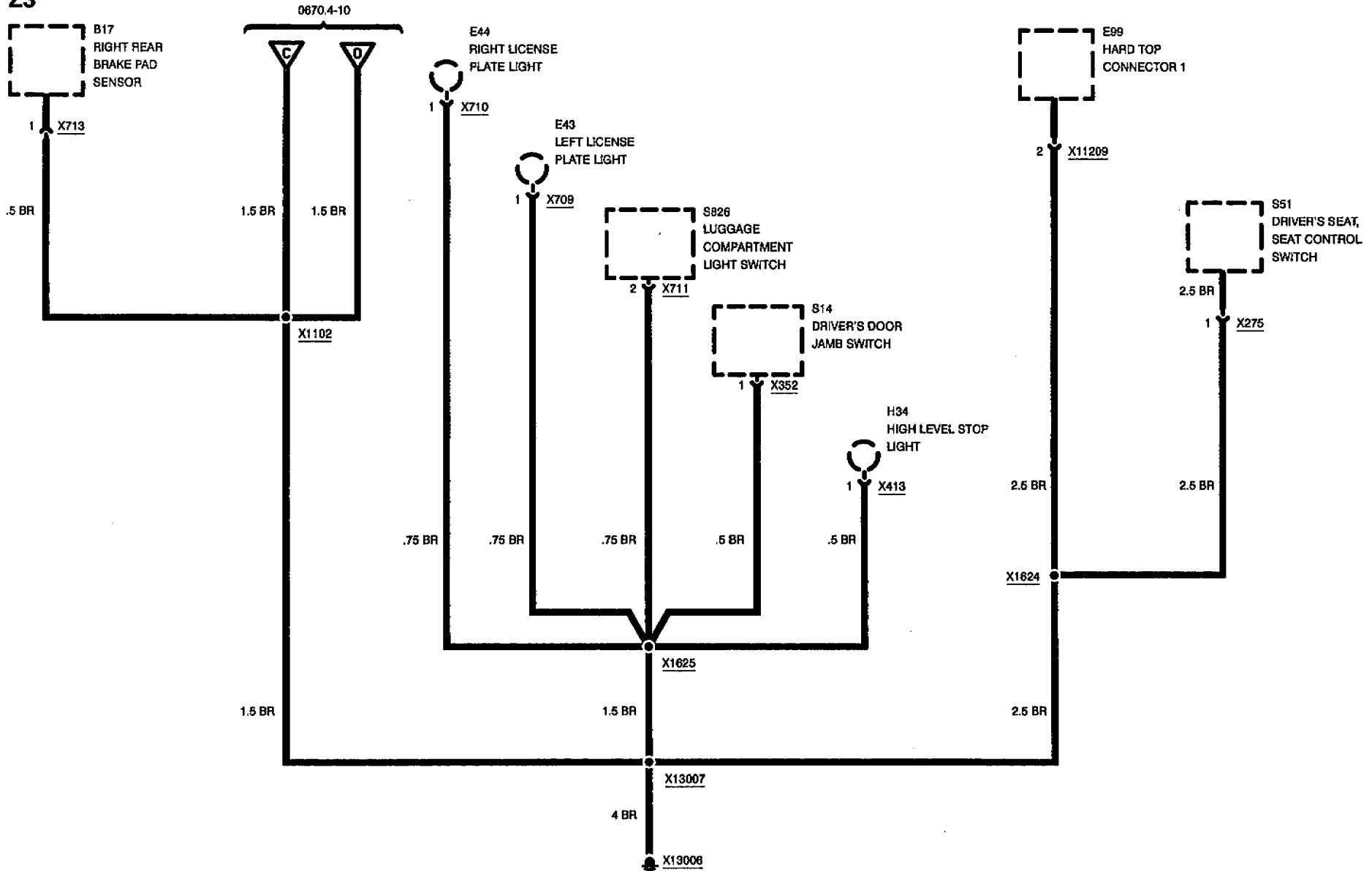




GROUND DISTRIBUTION

GROUND X13006

Z3

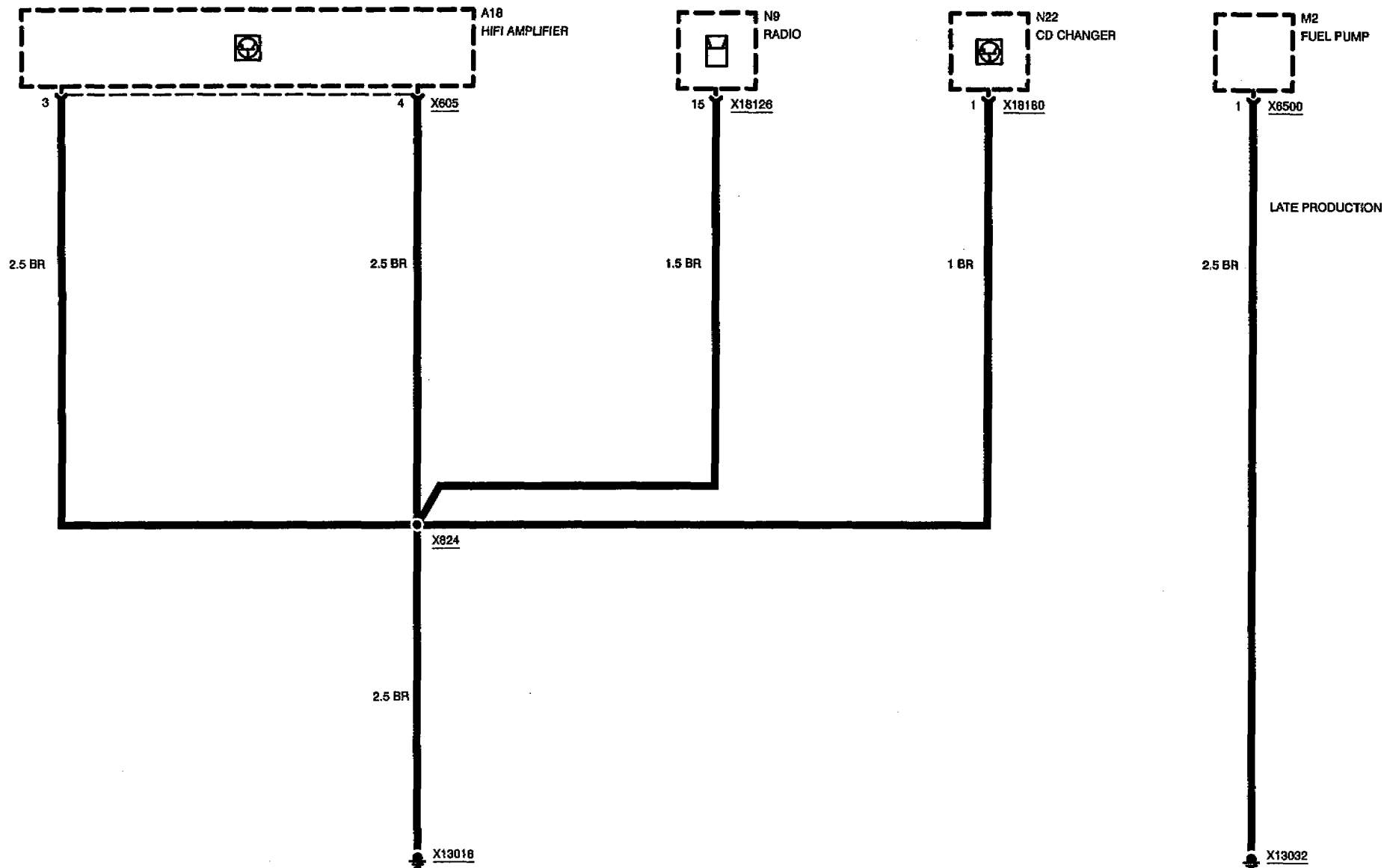




GROUND DISTRIBUTION

GROUNDS X13016 AND X13032

Z3



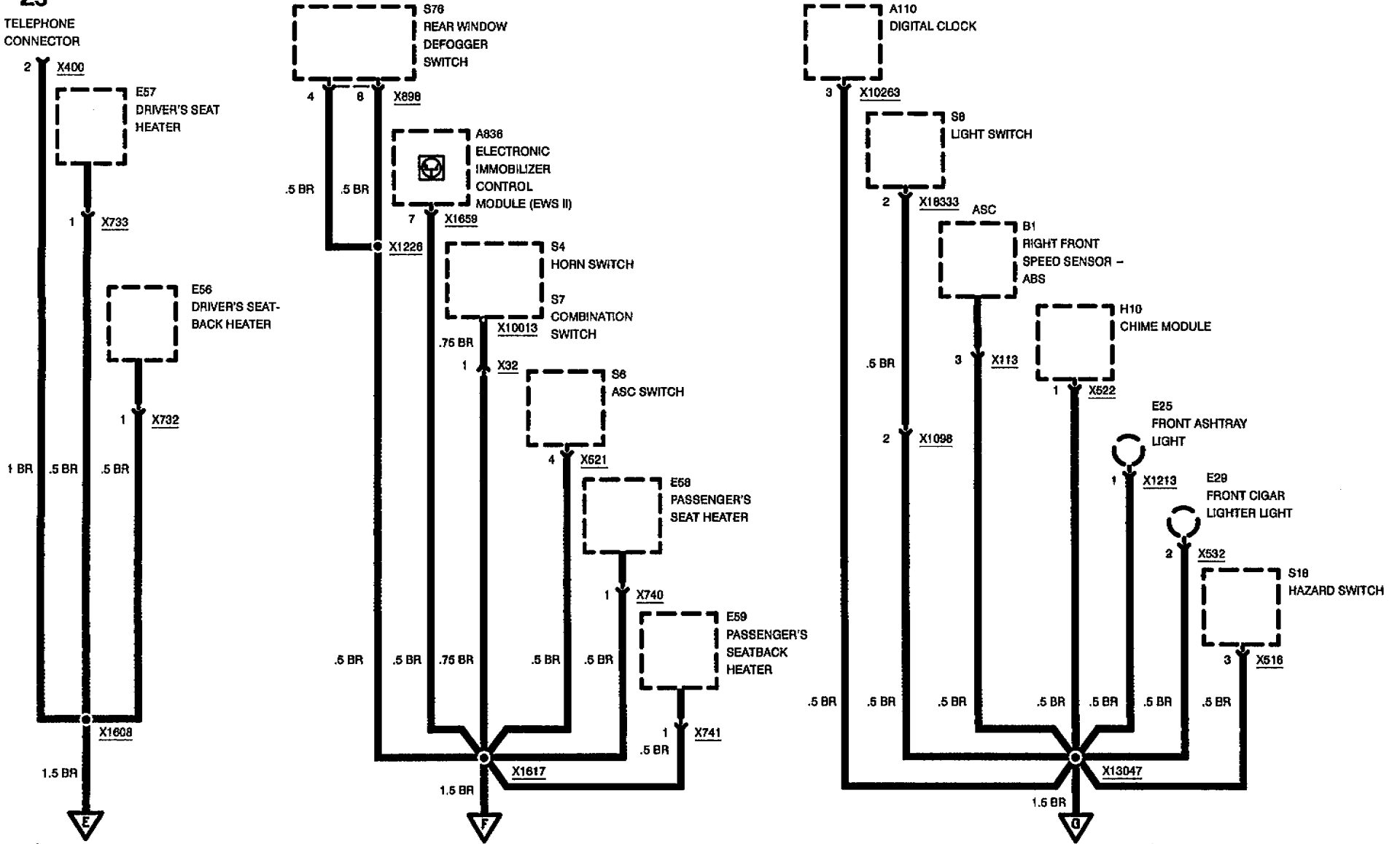


GROUND DISTRIBUTION

GROUND X18170

Z3

TELEPHONE CONNECTOR



0670.4-14

04/97

0670.4-13

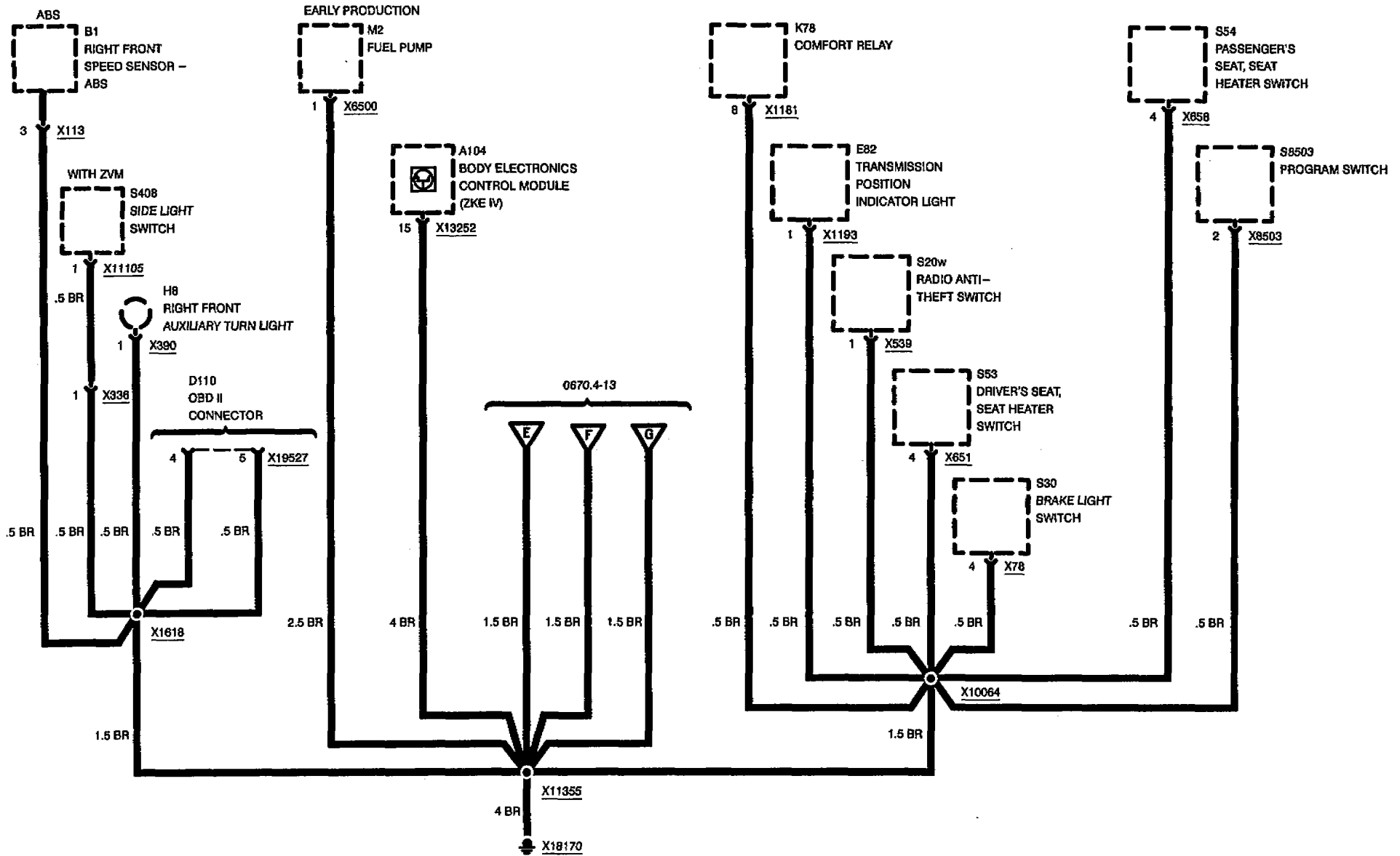
1996



GROUND DISTRIBUTION

GROUND X18170

Z3



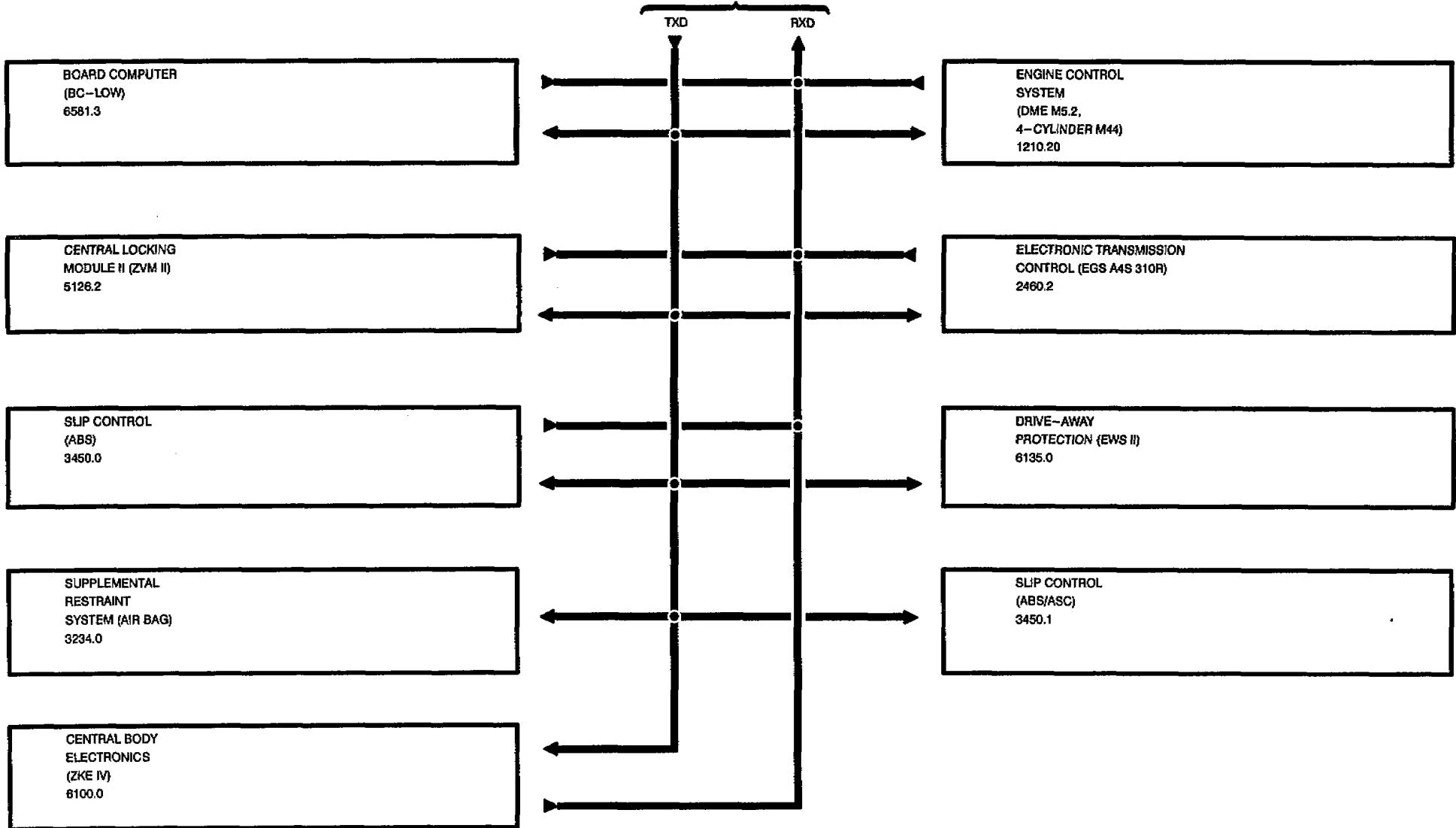
BMW
3
Z3

0670.5



DATA LINK BLOCK DIAGRAM

D100
DATA LINK
CONNECTOR

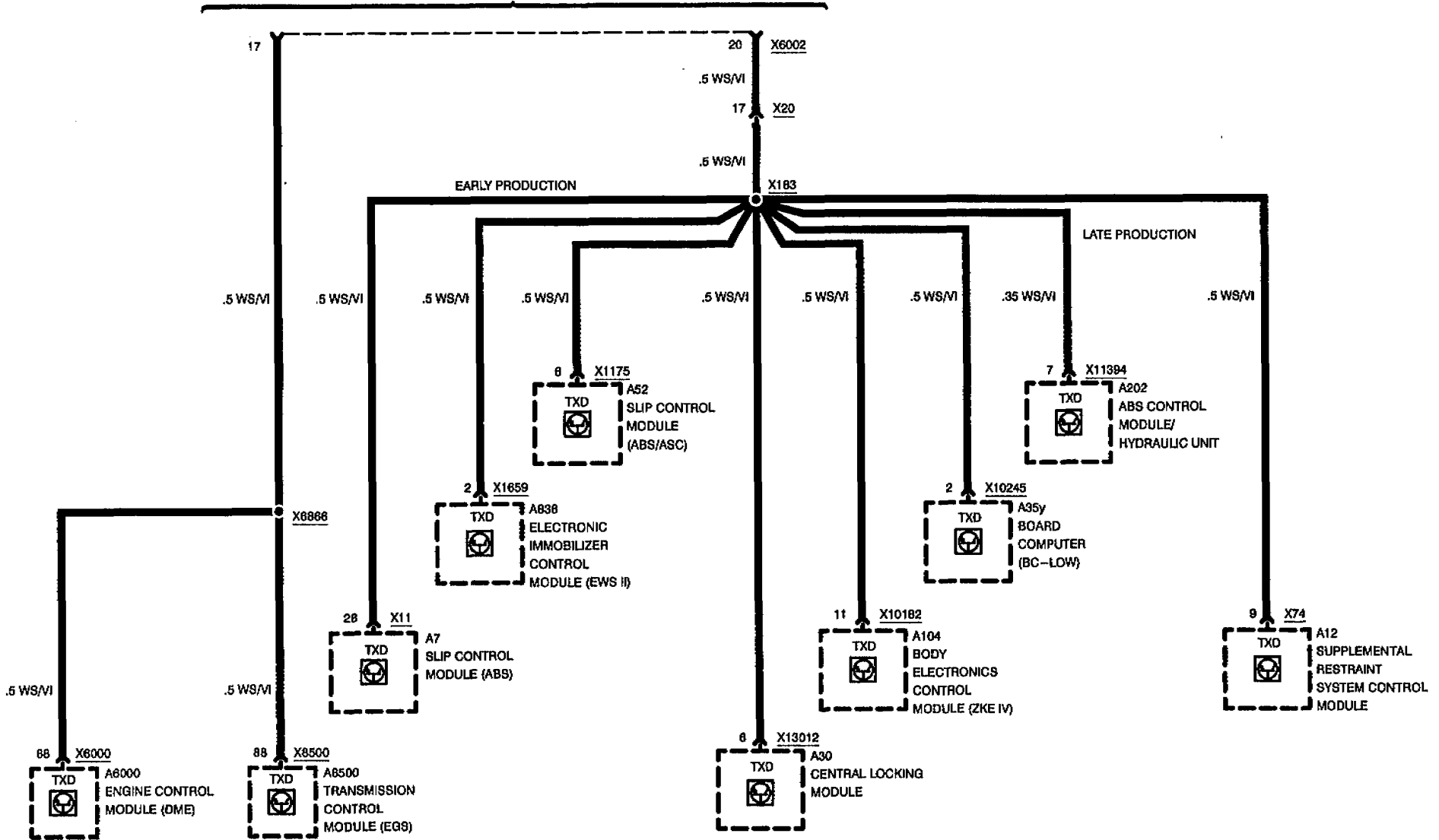




DATA LINK

TXD, PINS 17 AND 20

D100
DATA LINK
CONNECTOR

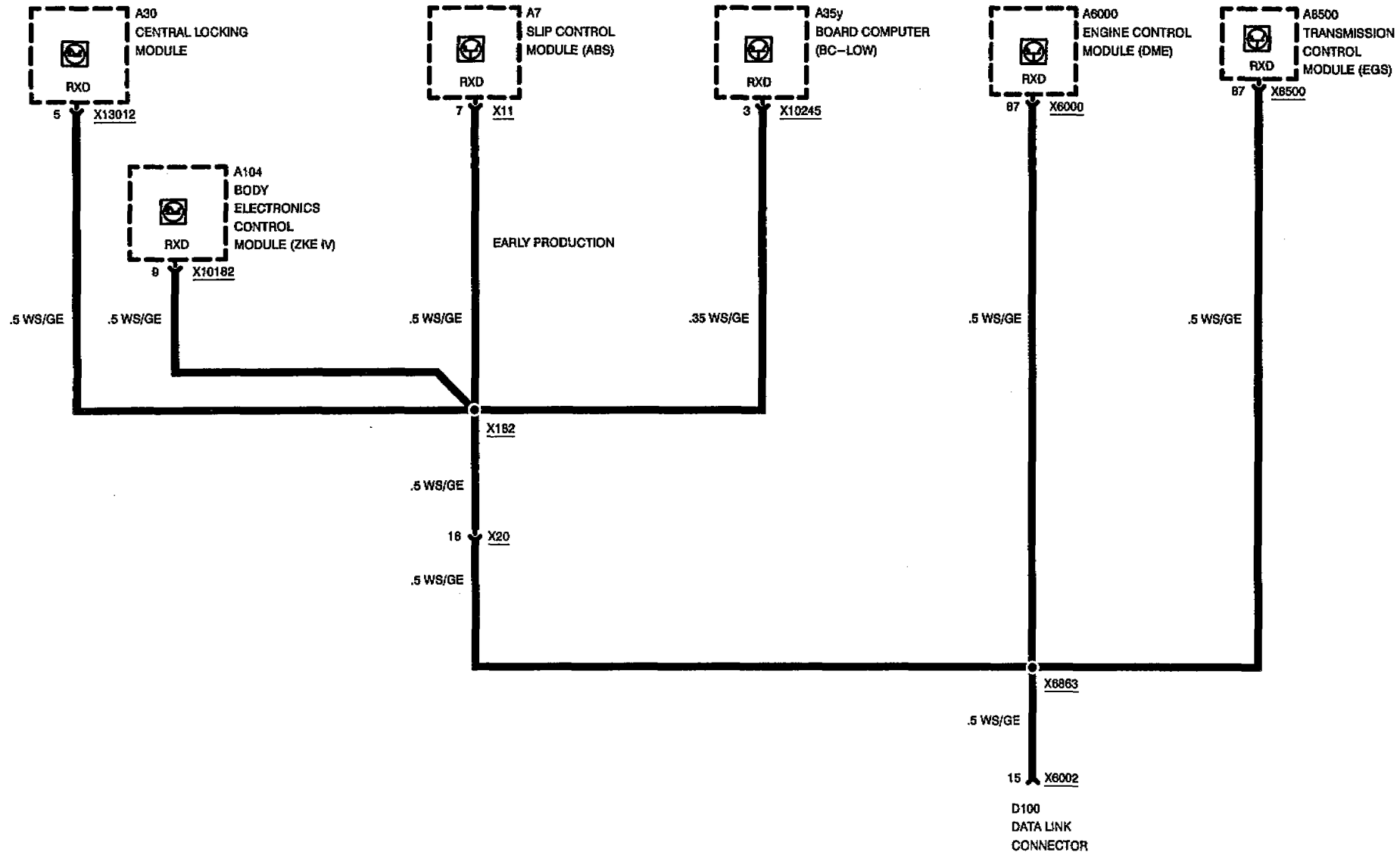




DATA LINK

RXD, PIN 15

Z3

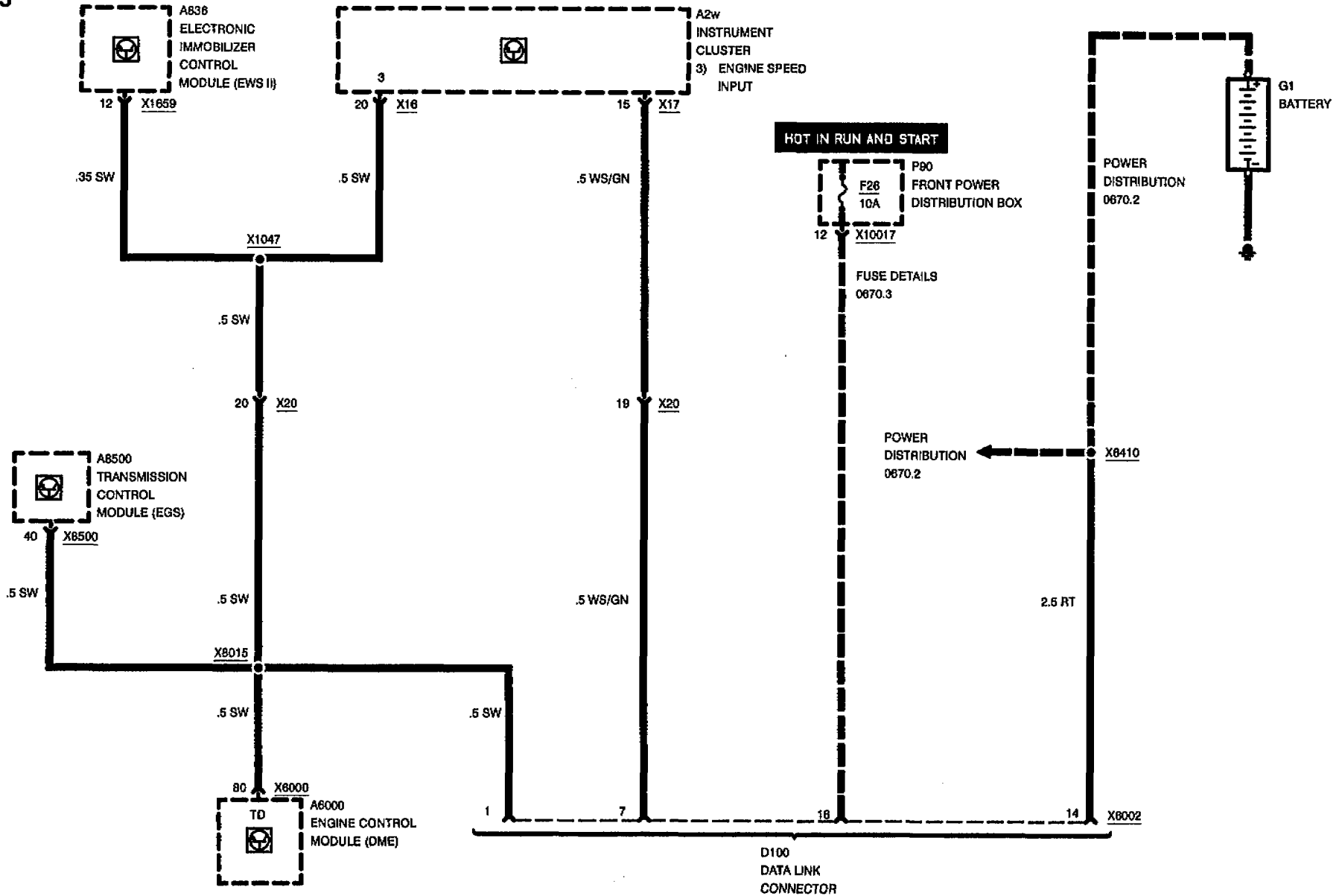




DATA LINK

DATA LINK CONNECTOR, PINS 1, 7, 14, AND 16

Z3



04/97

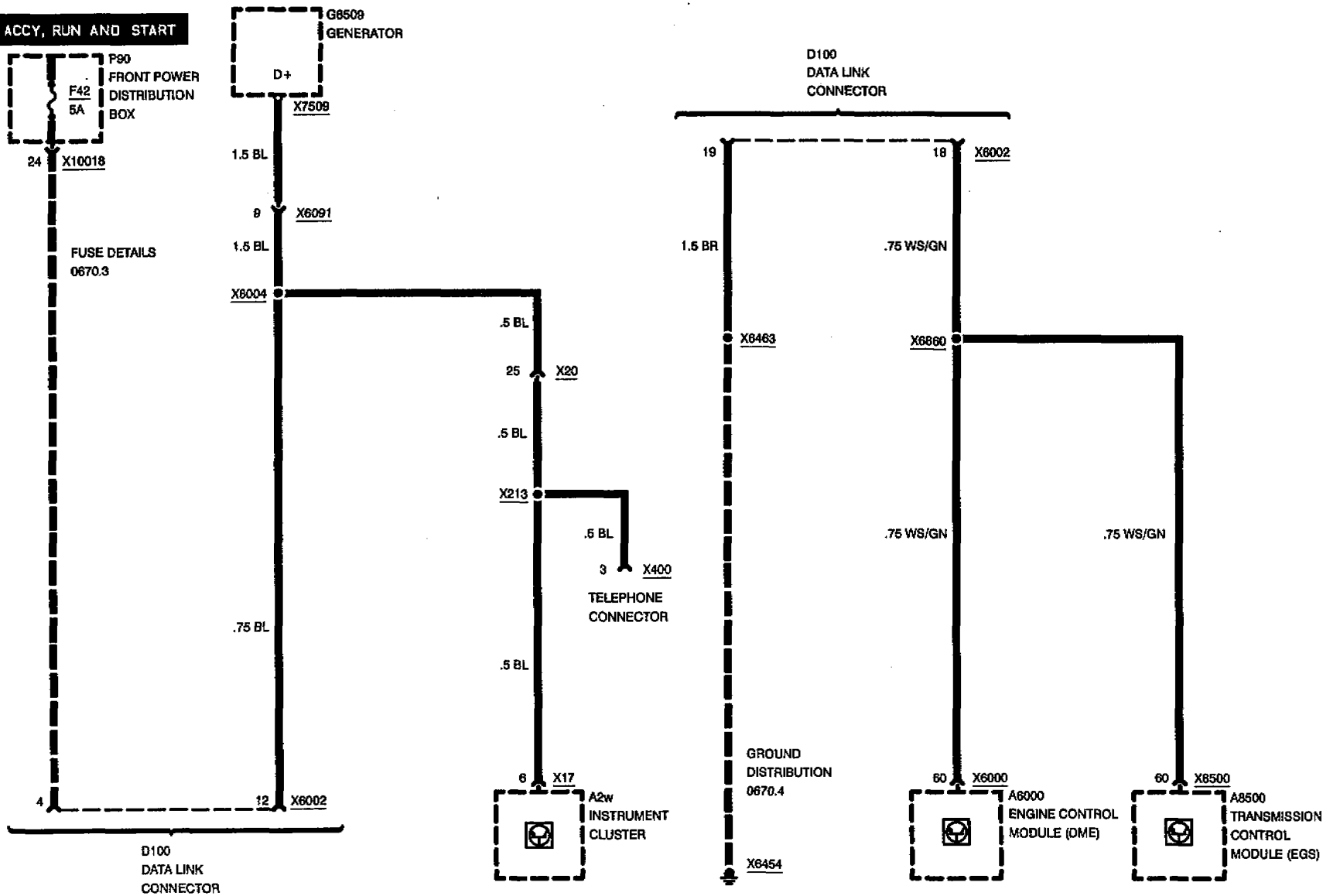
0670.5-03

1996

DATA LINK

DATA LINK CONNECTOR, PINS 4, 12, 18, AND 19

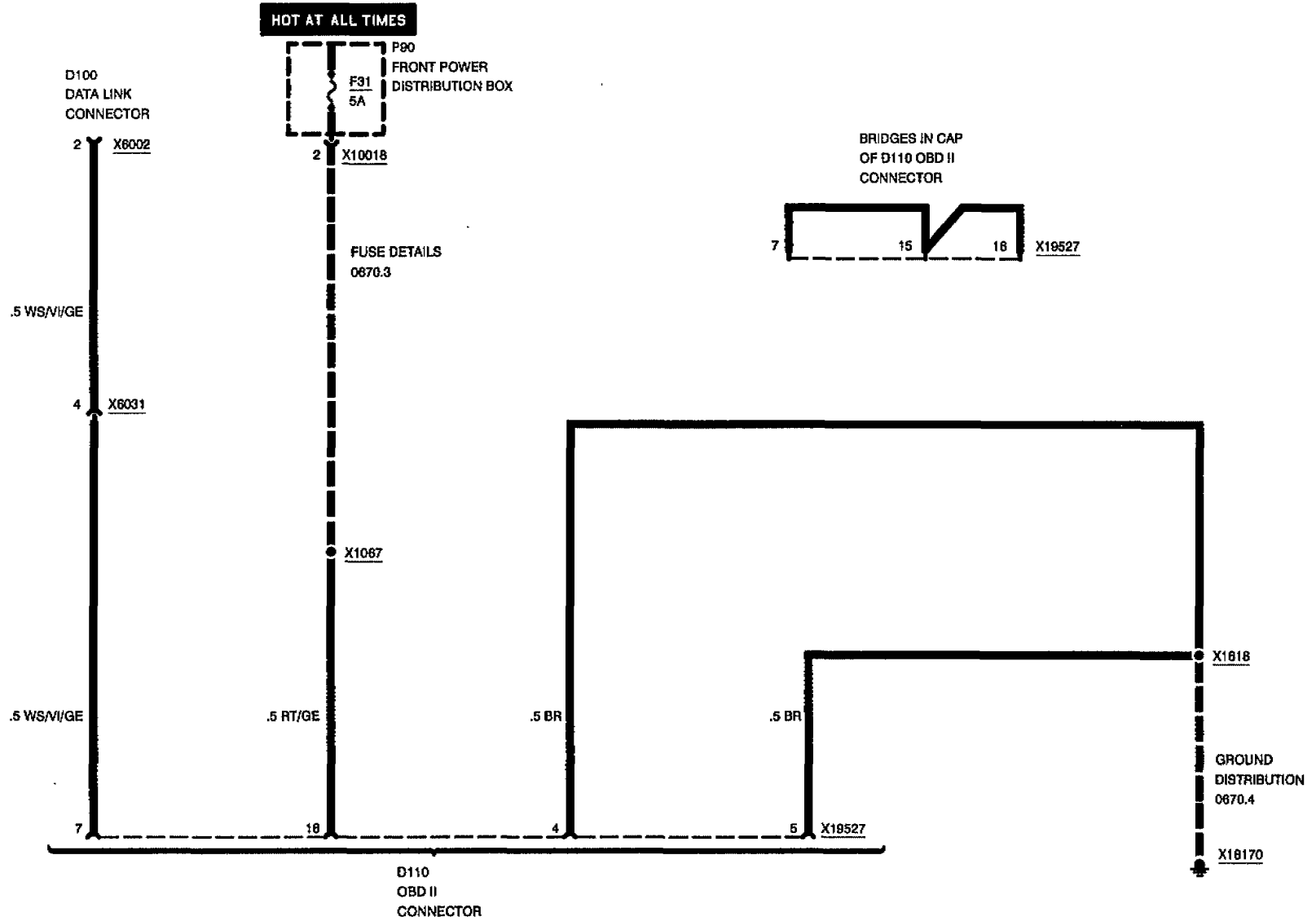
HOT IN ACCY, RUN AND START





DATA LINK

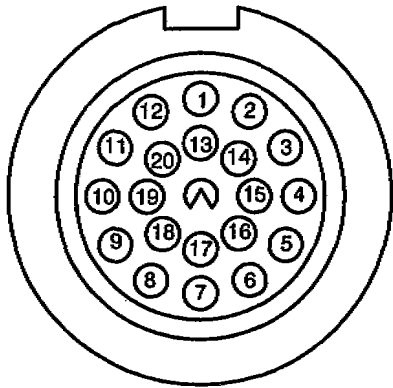
DATA LINK CONNECTOR, PIN 2 AND OBD II CONNECTOR



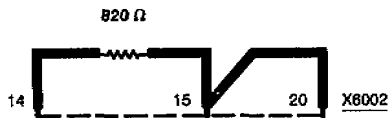


DATA LINK

DATA LINK CONNECTOR (X6002)



BRIDGES IN CAP OF D100 DATA LINK CONNECTOR



PIN NUMBER	TERMINAL NUMBER	TERMINAL DESCRIPTION	WIRE COLOR
1	TD	ENGINE	SW
2	TXD2	DIAGNOSTIC DATA LINK	WS/VI/GE
3	-	NOT OCCUPIED	
4	R	VOLTAGE: HOT IN ACCY, RUN AND START	SW/VI/GE
5	-	NOT OCCUPIED	
6	-	NOT OCCUPIED	
7	SI	SERVICE INTERVAL RESET	WS/GN
8	-	NOT OCCUPIED	
9	-	NOT OCCUPIED	
10	-	NOT OCCUPIED	
11	-	NOT OCCUPIED	
12	61(D+)	GENERATOR CHARGE INDICATOR	BL
13	-	NOT OCCUPIED	
14	30	VOLTAGE: HOT AT ALL TIMES	RT
15	RXD	DIAGNOSTIC DATA LINK	WS/GE
16	15S	VOLTAGE: IGNITION SWITCH IN RUN AND START	GN/WS
17	TXD	DIAGNOSTIC DATA LINK	WS/VI
18	PGSP	PROGRAM SELECT FOR ENGINE CONTROL MODULE (DME)	WS/GN
19	31	GROUND	BR
20	TXD	DIAGNOSTIC DATA LINK	WS/VI

BMW
3

Z3

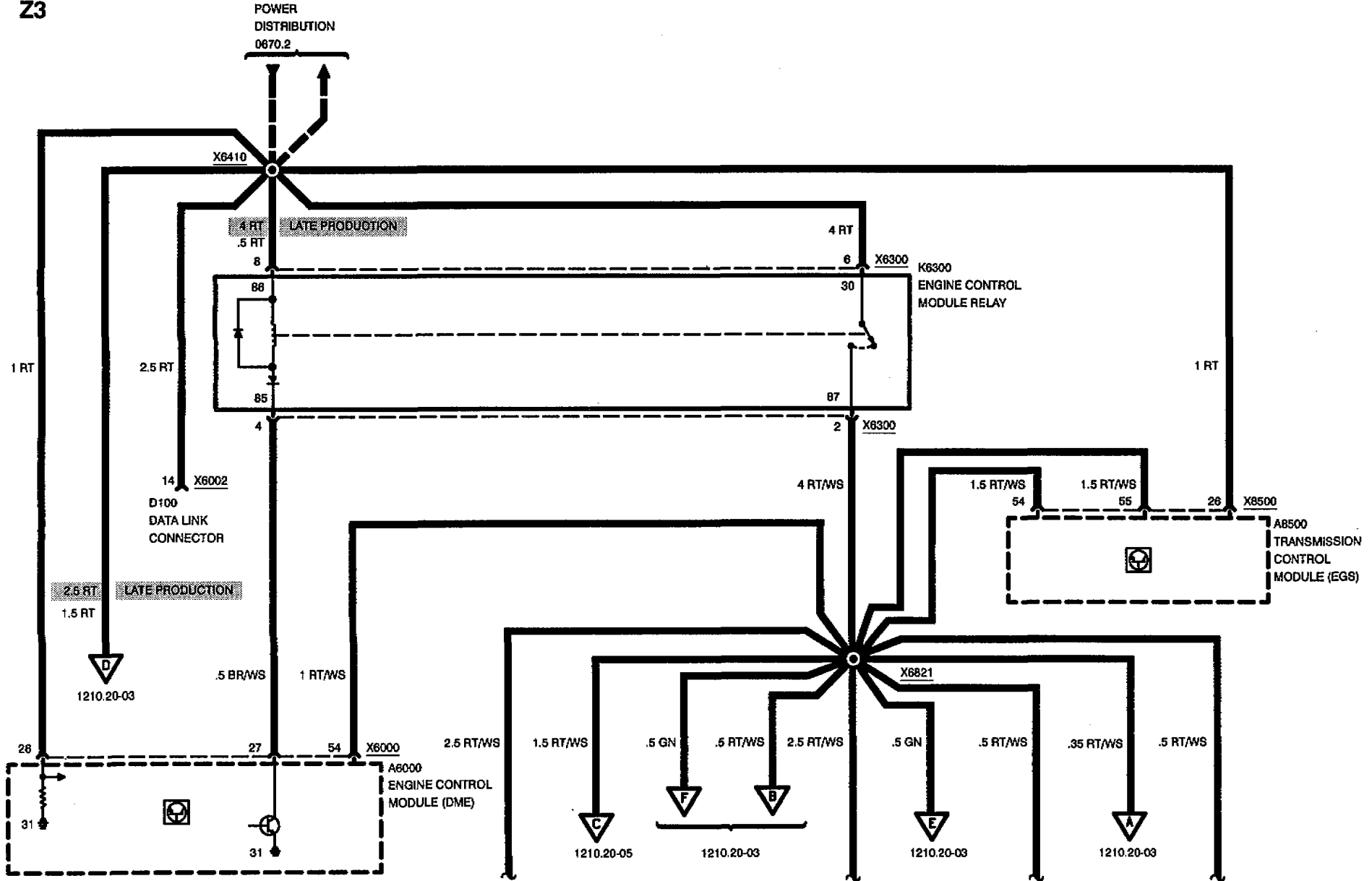
1210.20



ENGINE CONTROL SYSTEM (DME M5.2, 4-CYLINDER M44)

POWER, FUEL INJECTION VALVES

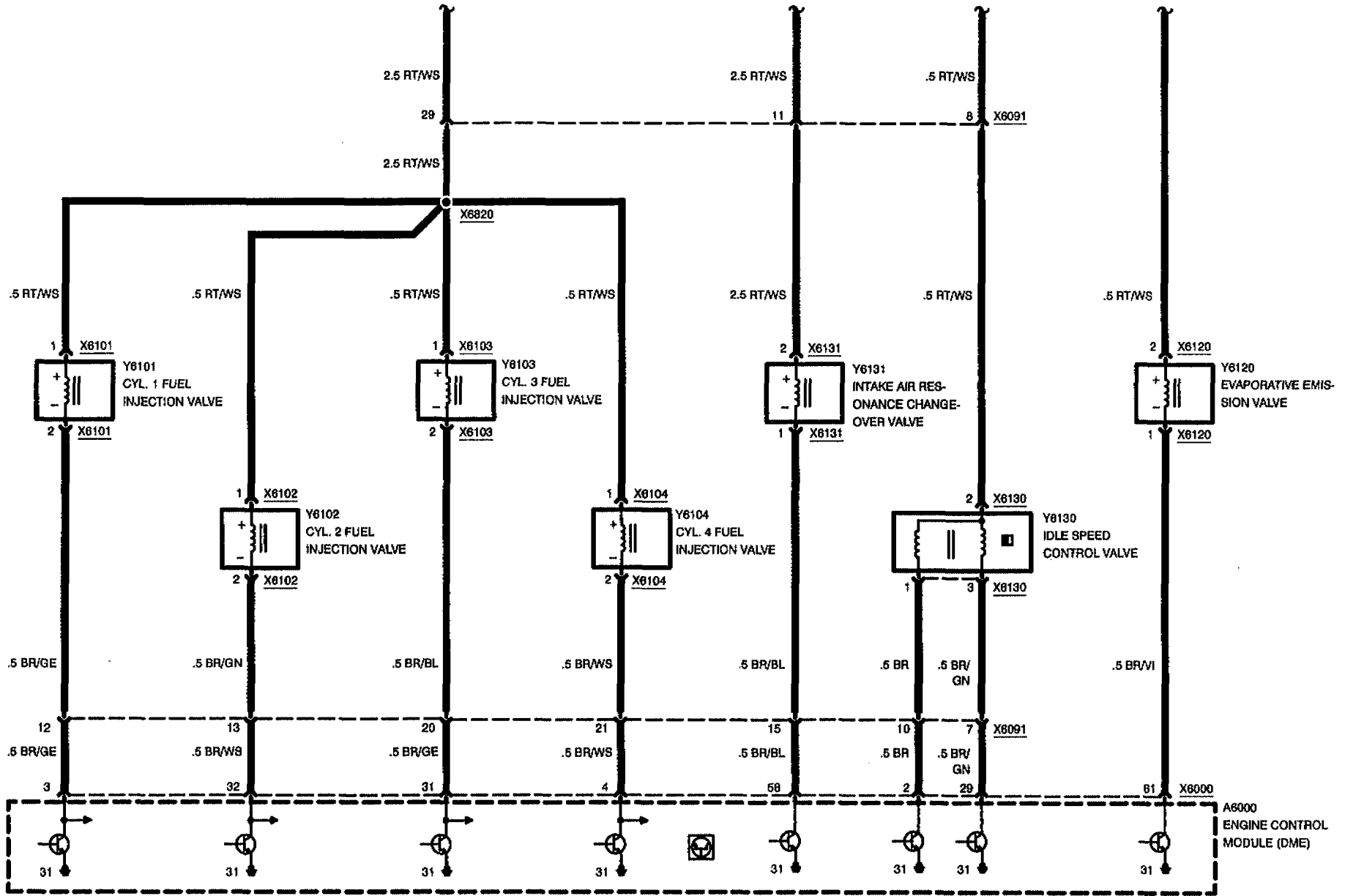
Z3



04/97

1210.20-00

1996



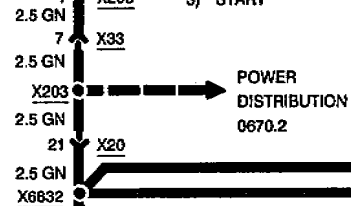
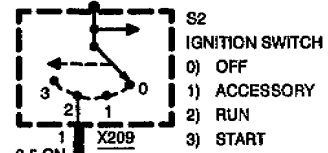


ENGINE CONTROL SYSTEM (DME M5.2, 4-CYLINDER M44)

IGNITION COILS

Z3

HOT AT ALL TIMES

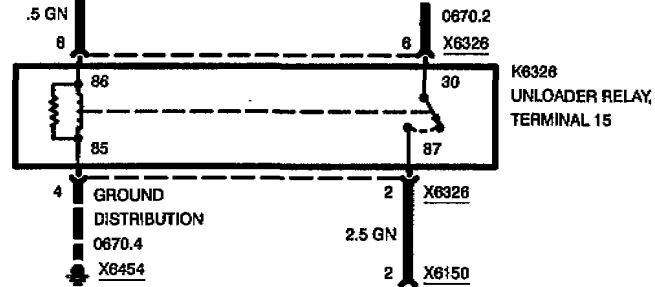


HOT AT ALL TIMES

POWER DISTRIBUTION 0670.2



POWER DISTRIBUTION 0670.2

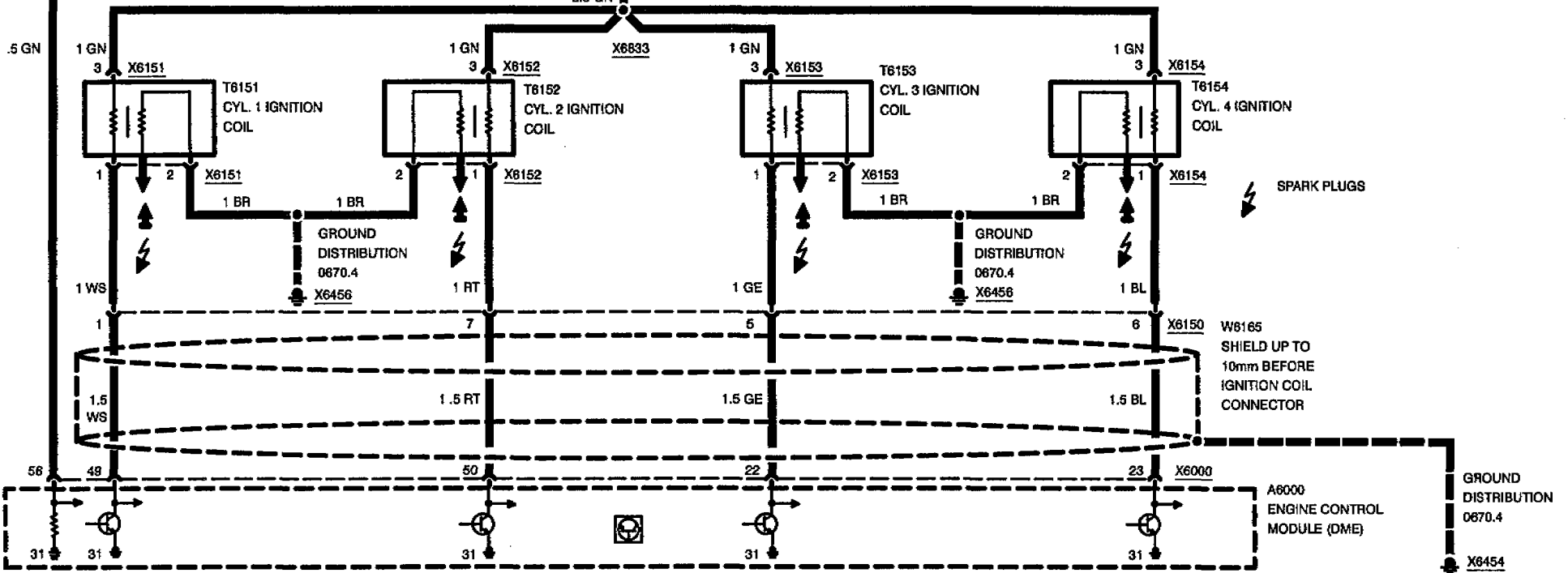


.5 GN

GROUND DISTRIBUTION 0670.4 X6454

EARLY PRODUCTION

LATE PRODUCTION

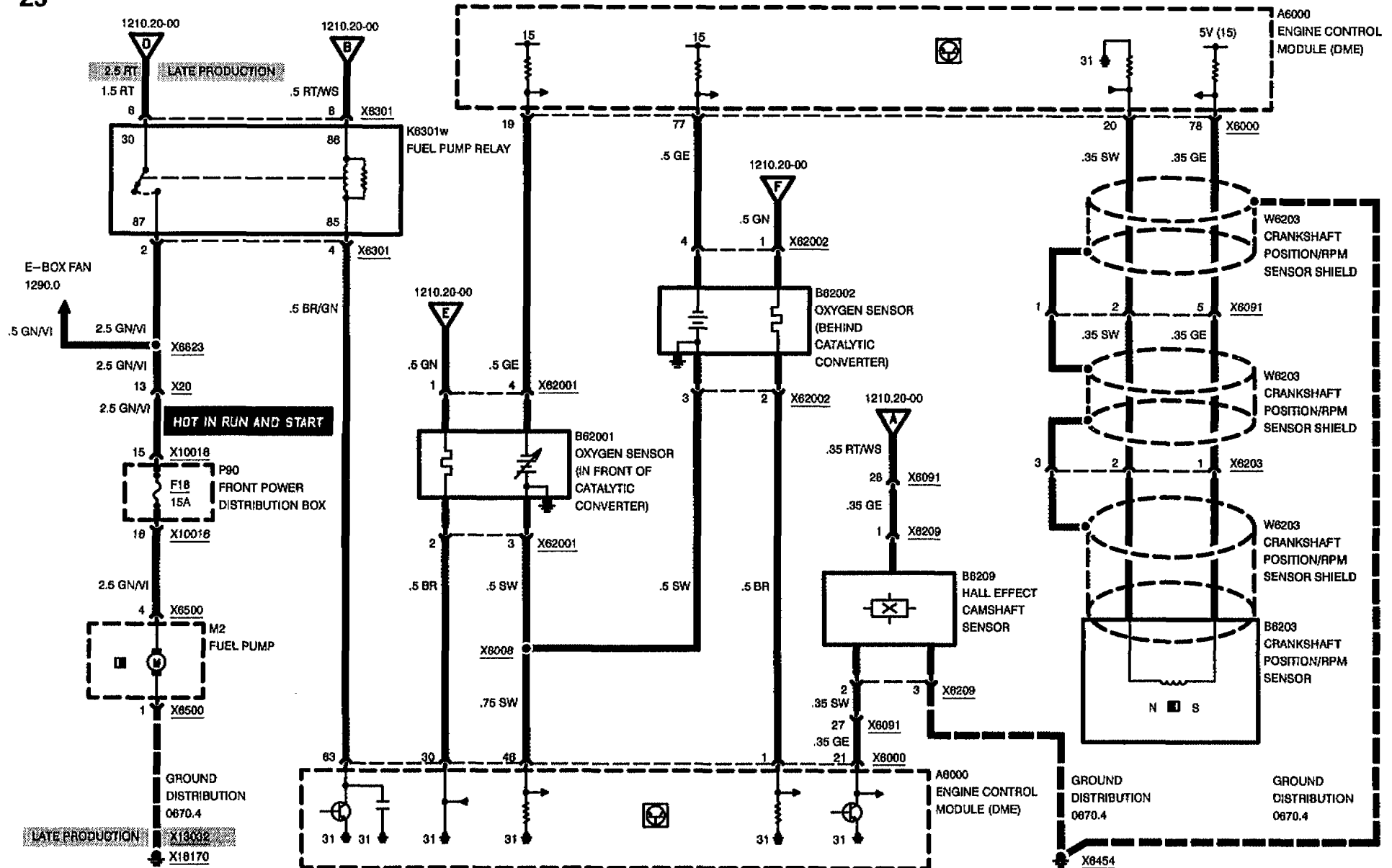




ENGINE CONTROL SYSTEM (DME M5.2, 4-CYLINDER M44)

FUEL PUMP, HEATED OXYGEN SENSOR, CRANKSHAFT SENSORS

Z3



04/97

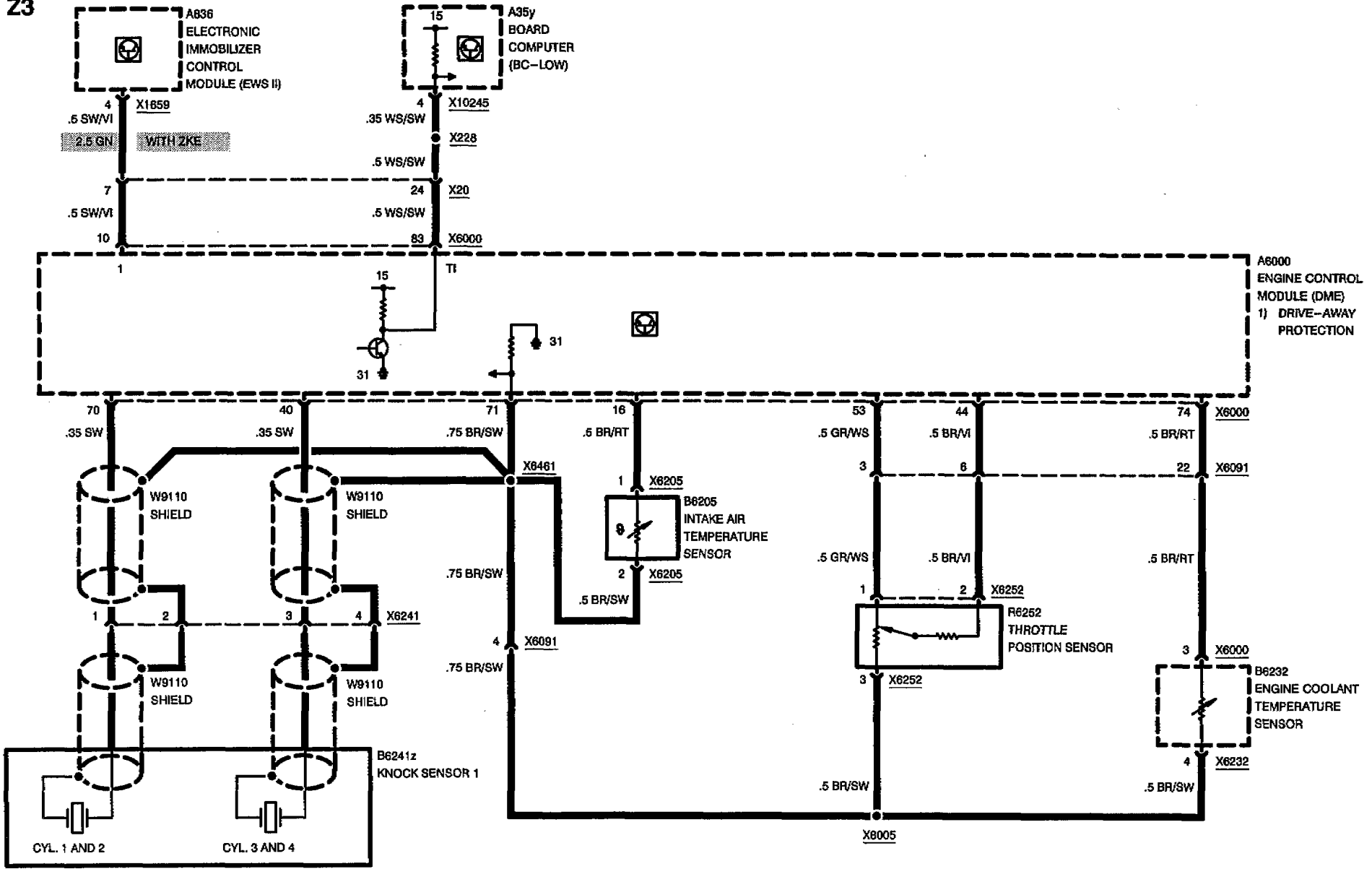
1210.20-03

1996



ENGINE CONTROL SYSTEM (DME M5.2, 4-CYLINDER M44)

Z3



04/97

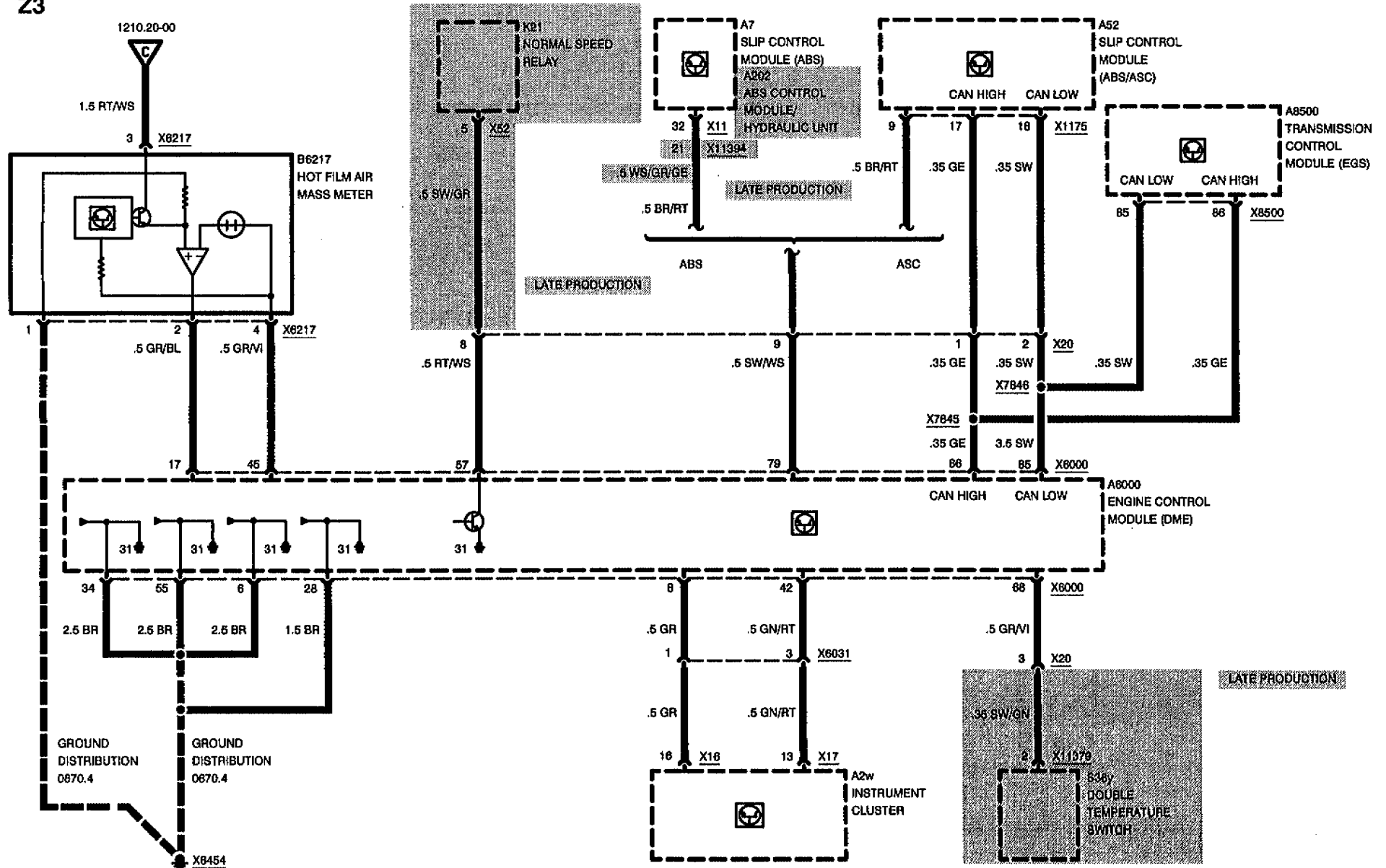
1210.20-04

1996



Z3

ENGINE CONTROL SYSTEM (DME M5.2, 4-CYLINDER M44)



04/97

1210.20-05

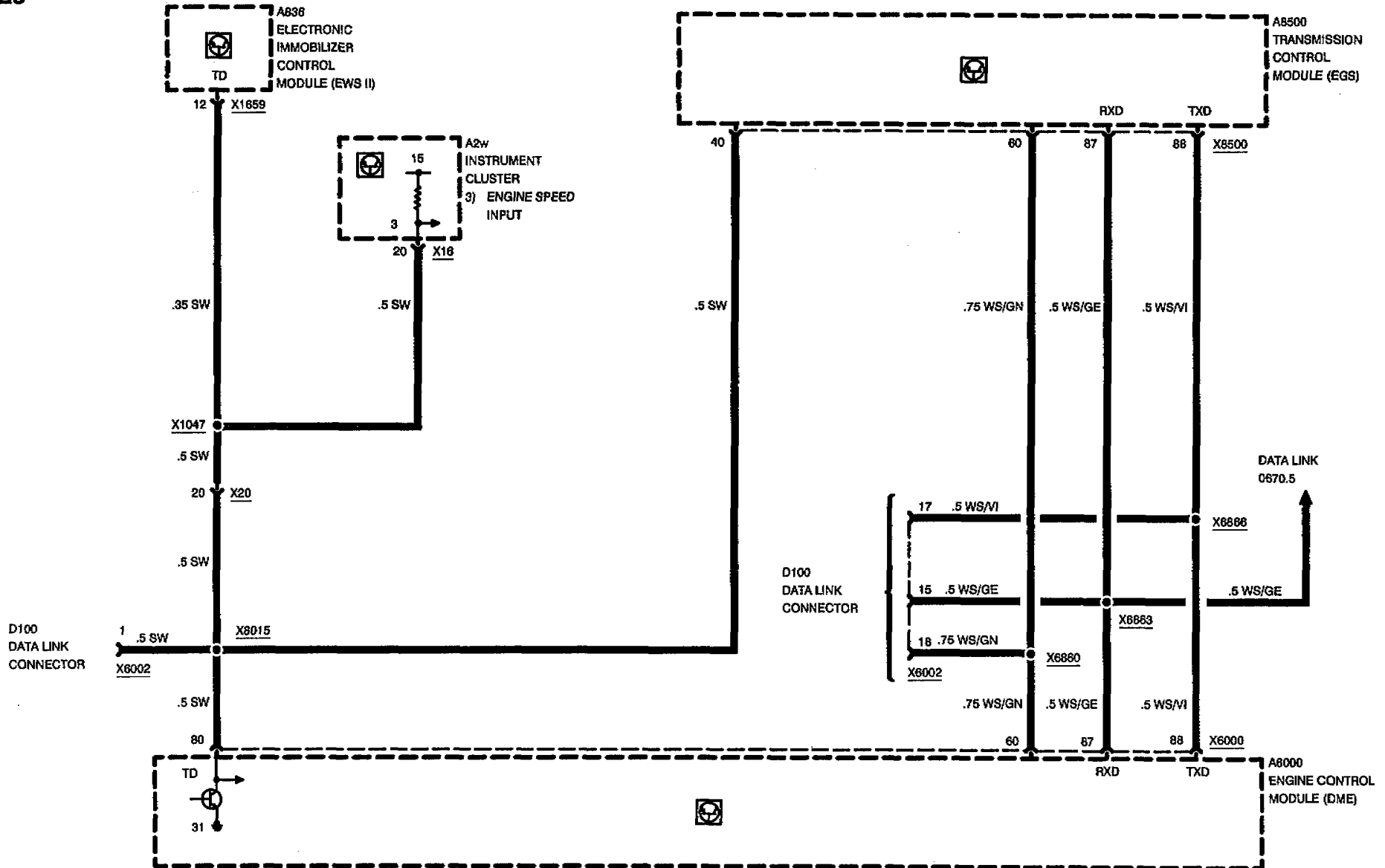
1996



ENGINE CONTROL SYSTEM (DME M5.2, 4-CYLINDER M44)

DATA LINK

Z3



04/97

1210.20-06

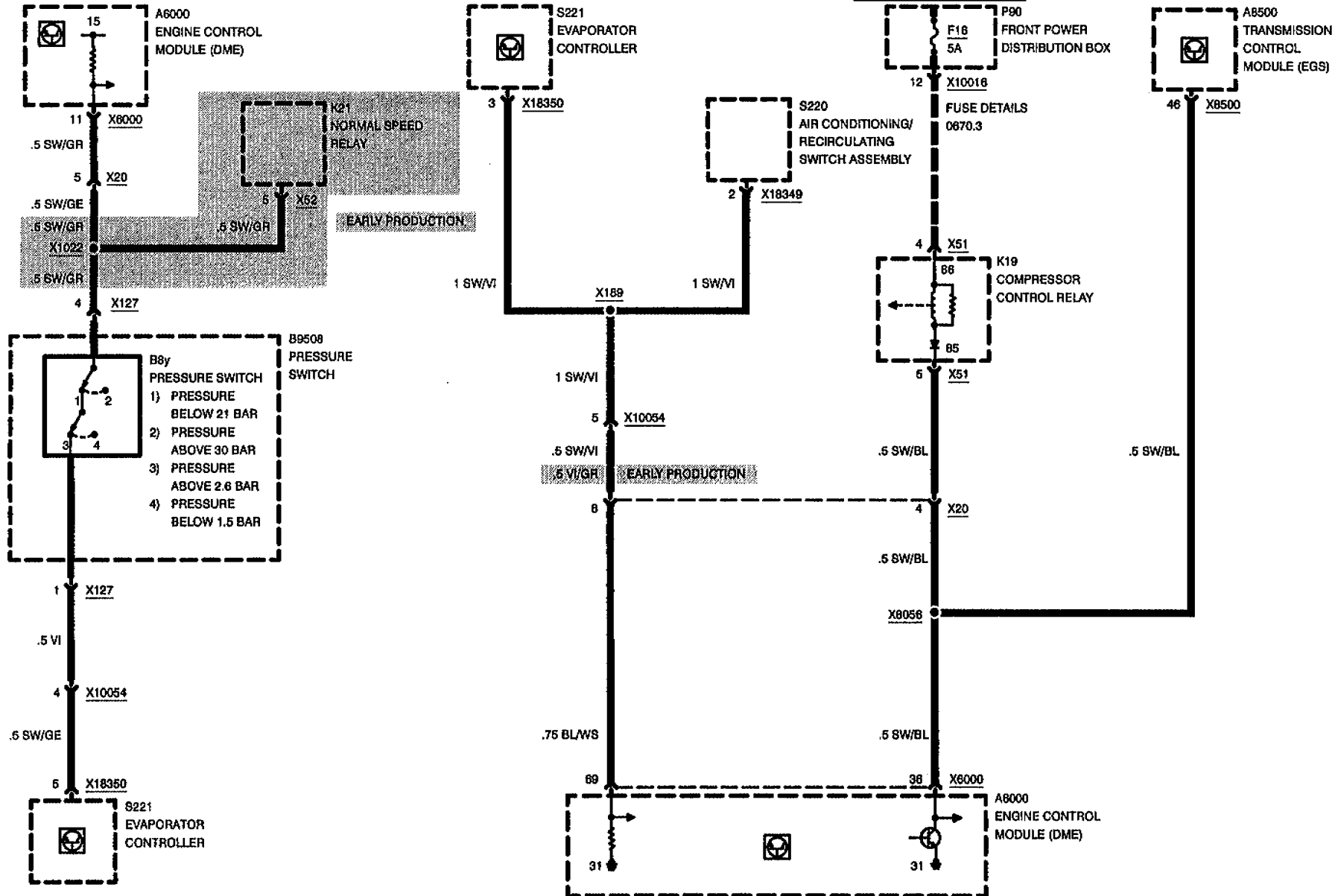
1996



ENGINE CONTROL SYSTEM (DME M5.2, 4-CYLINDER M44)

Z3

HOT IN RUN AND START

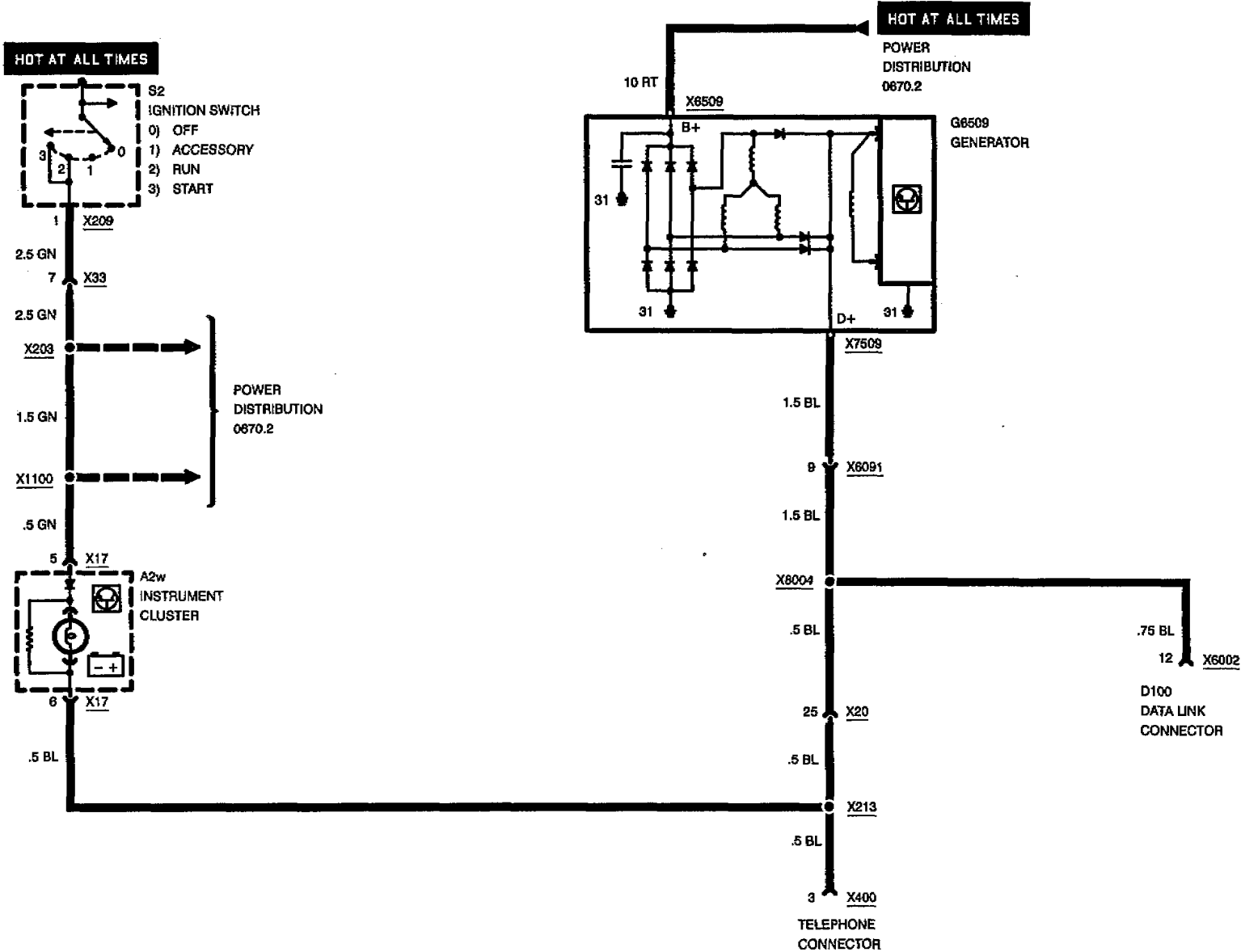


04/97

1210.20-07

1996

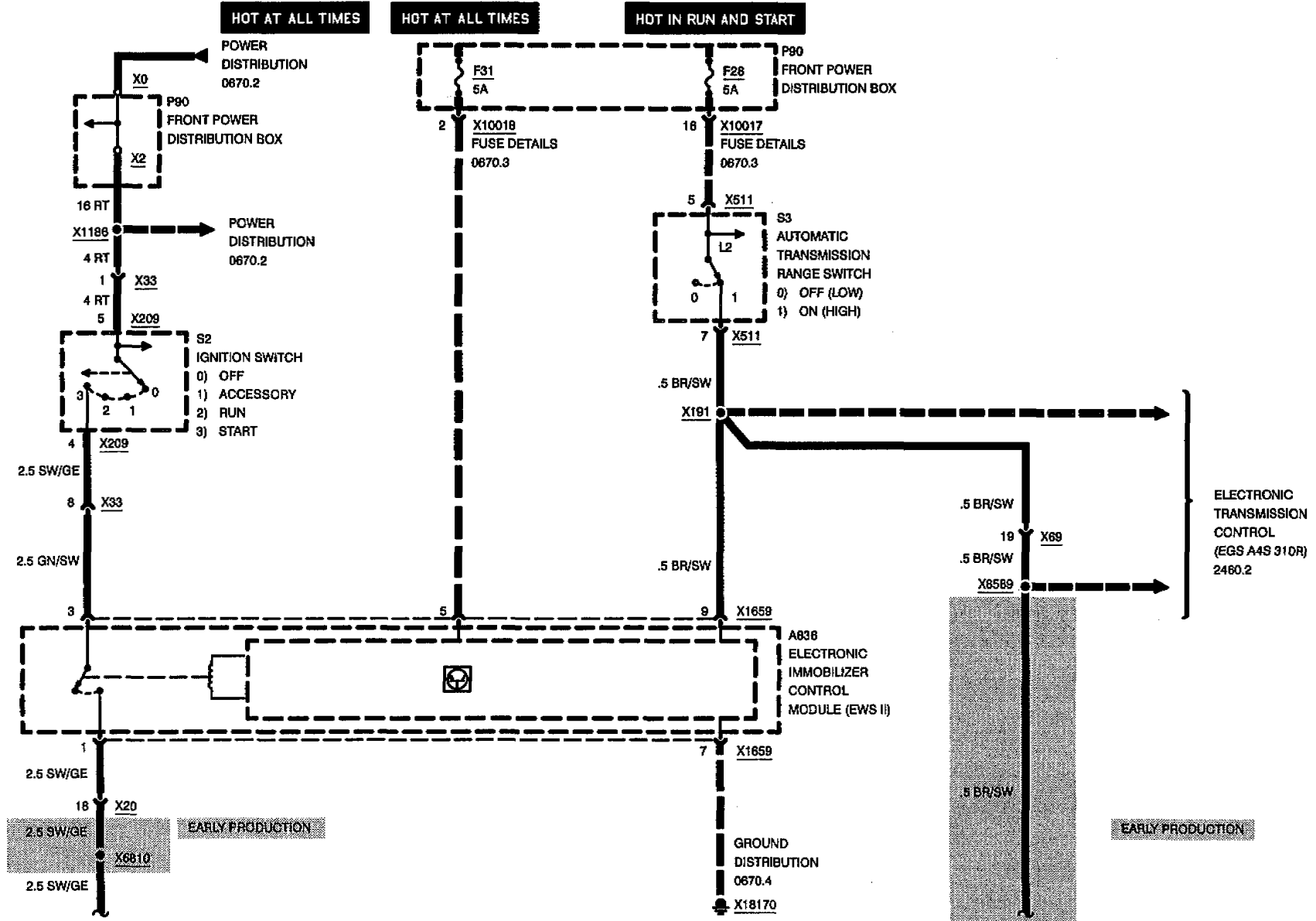
CHARGING SYSTEM

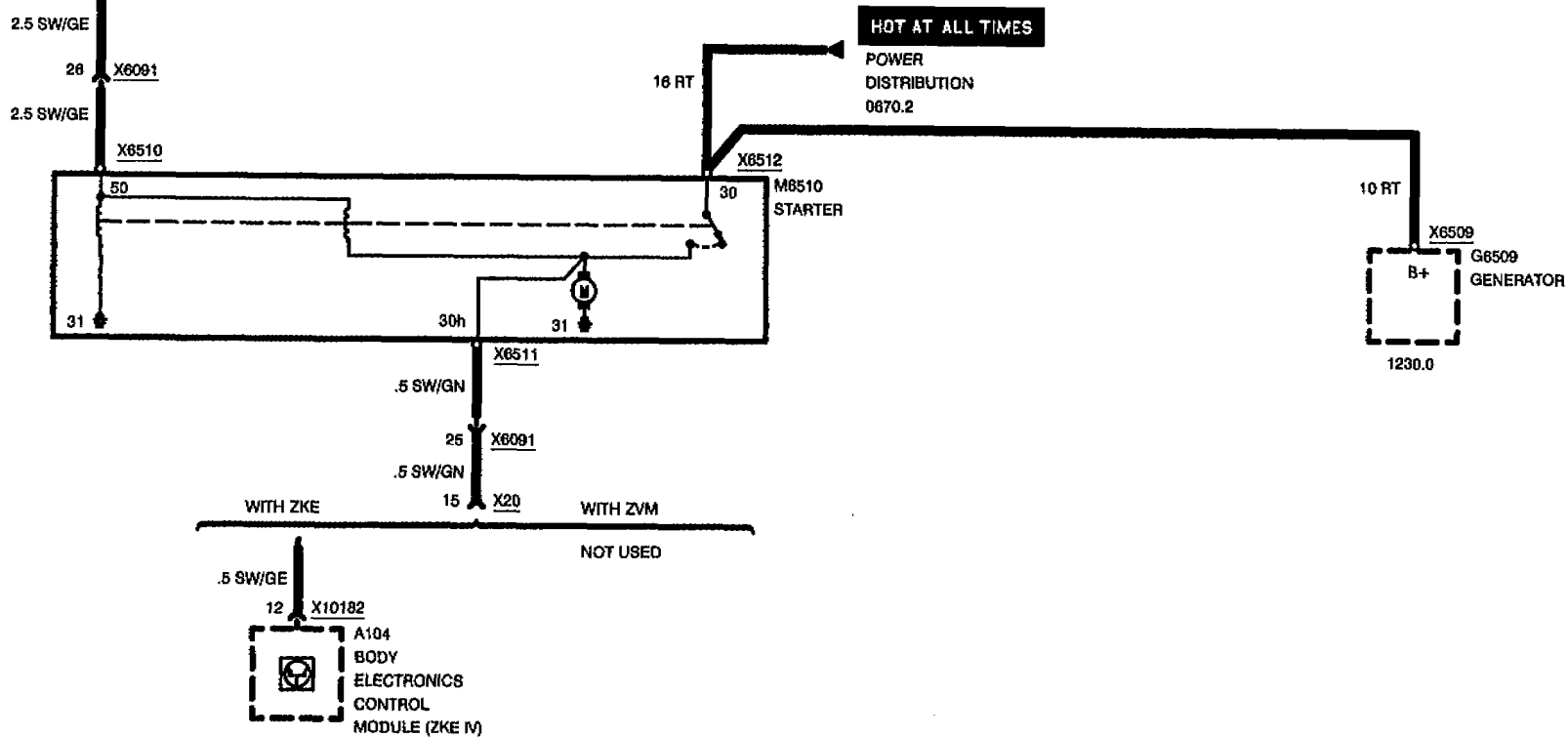
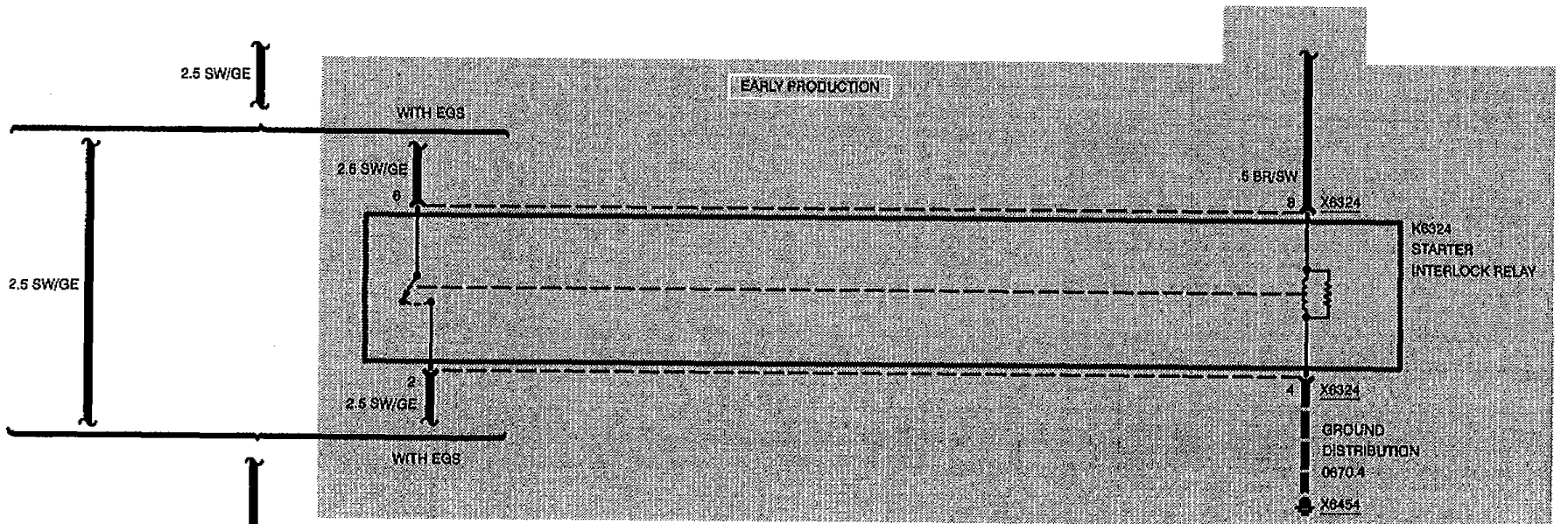


BMW
3

Z3

1240.0

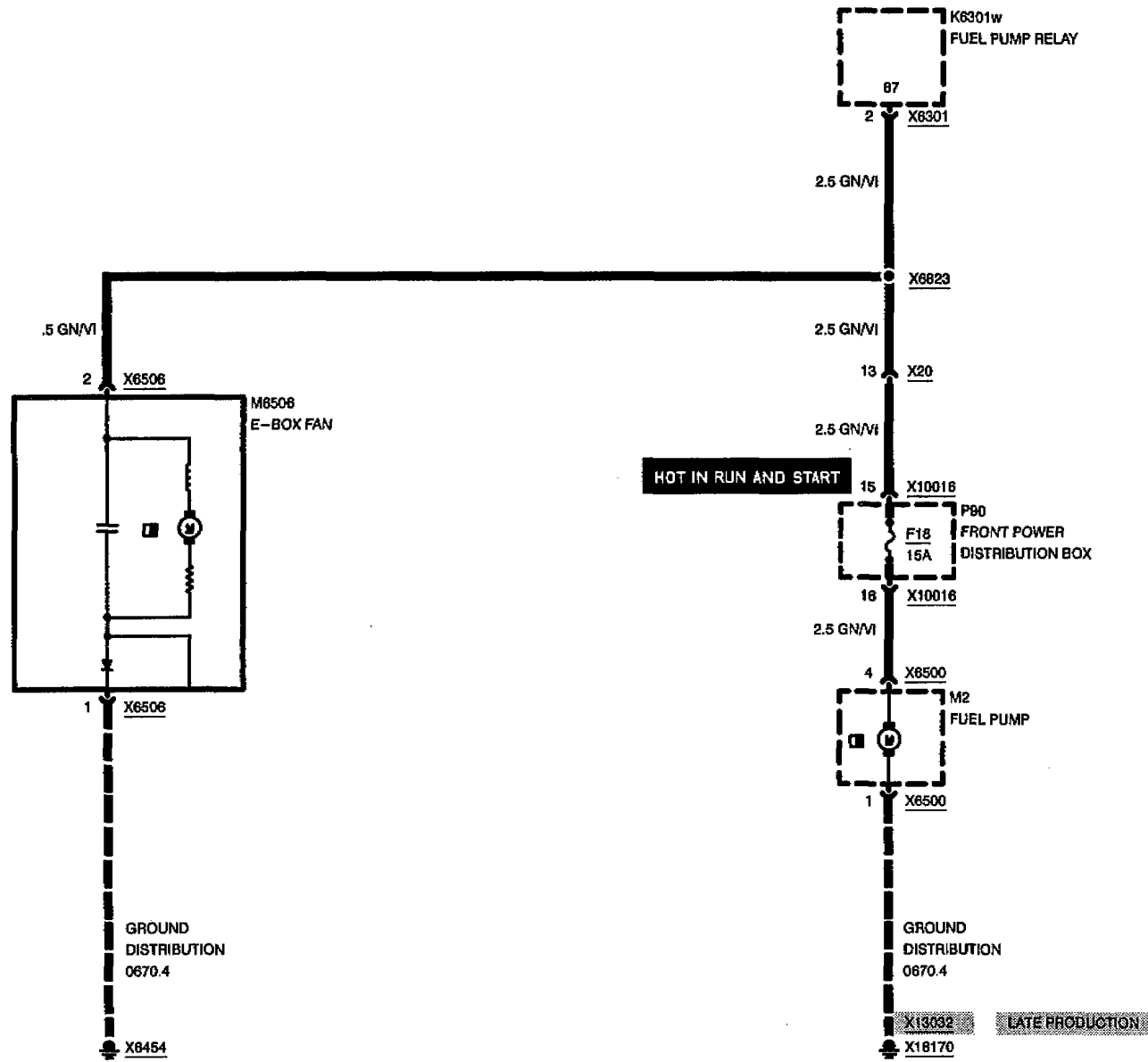






E-BOX FAN

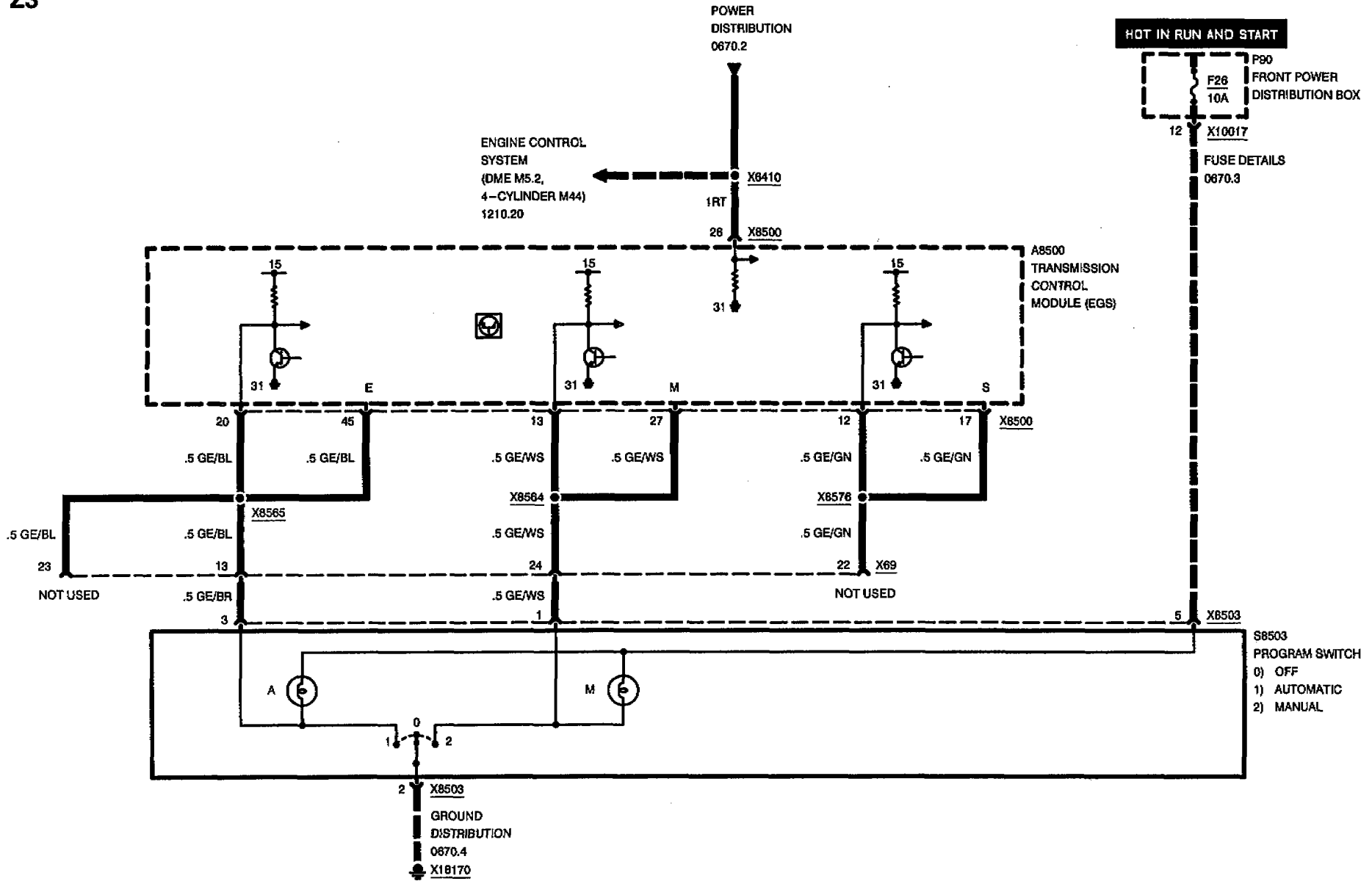
Z3



BMW
3
Z3

2460.2

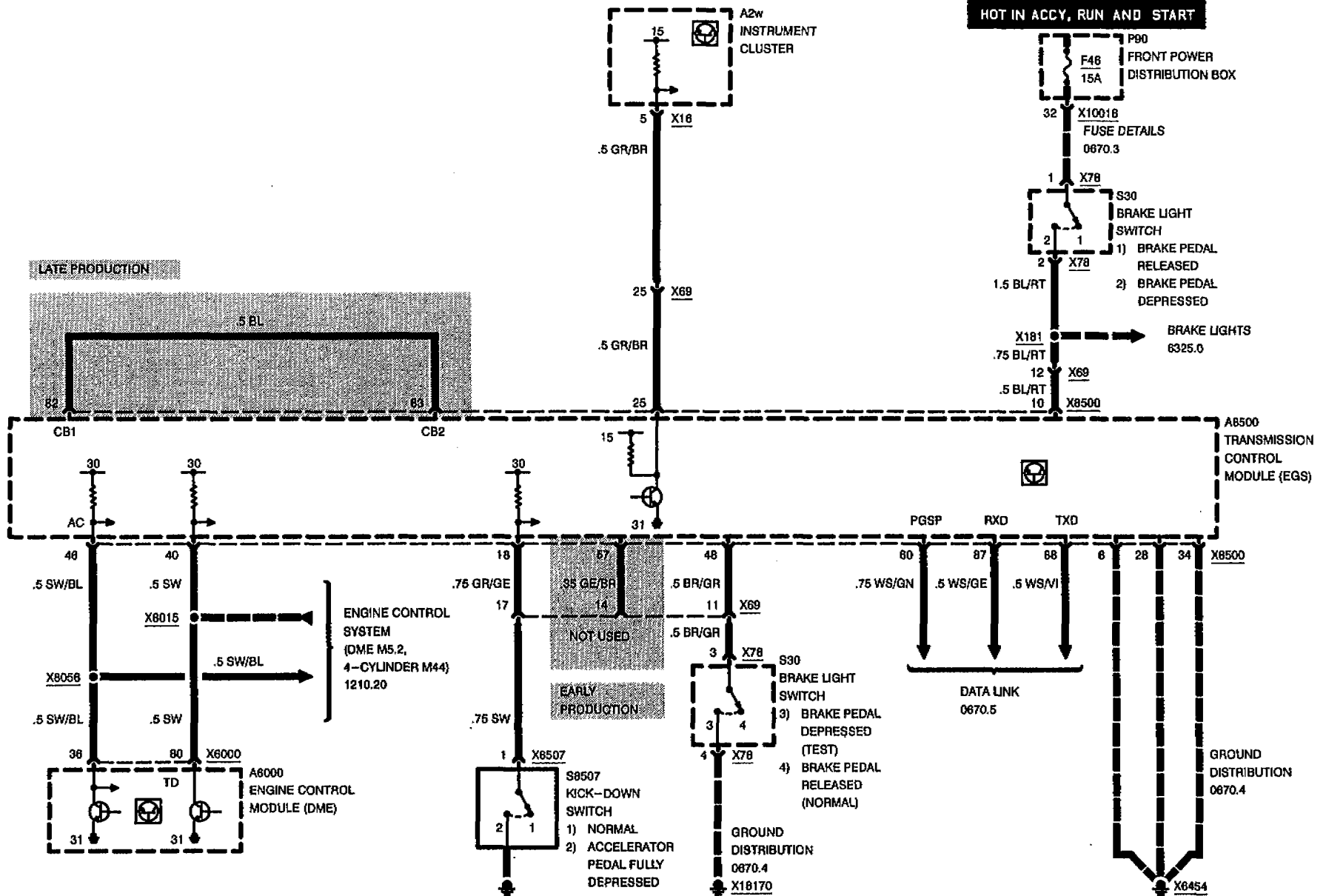
ELECTRONIC TRANSMISSION CONTROL (EGS A4S 310R)





Z3

ELECTRONIC TRANSMISSION CONTROL (EGS A4S 310R)



04/97

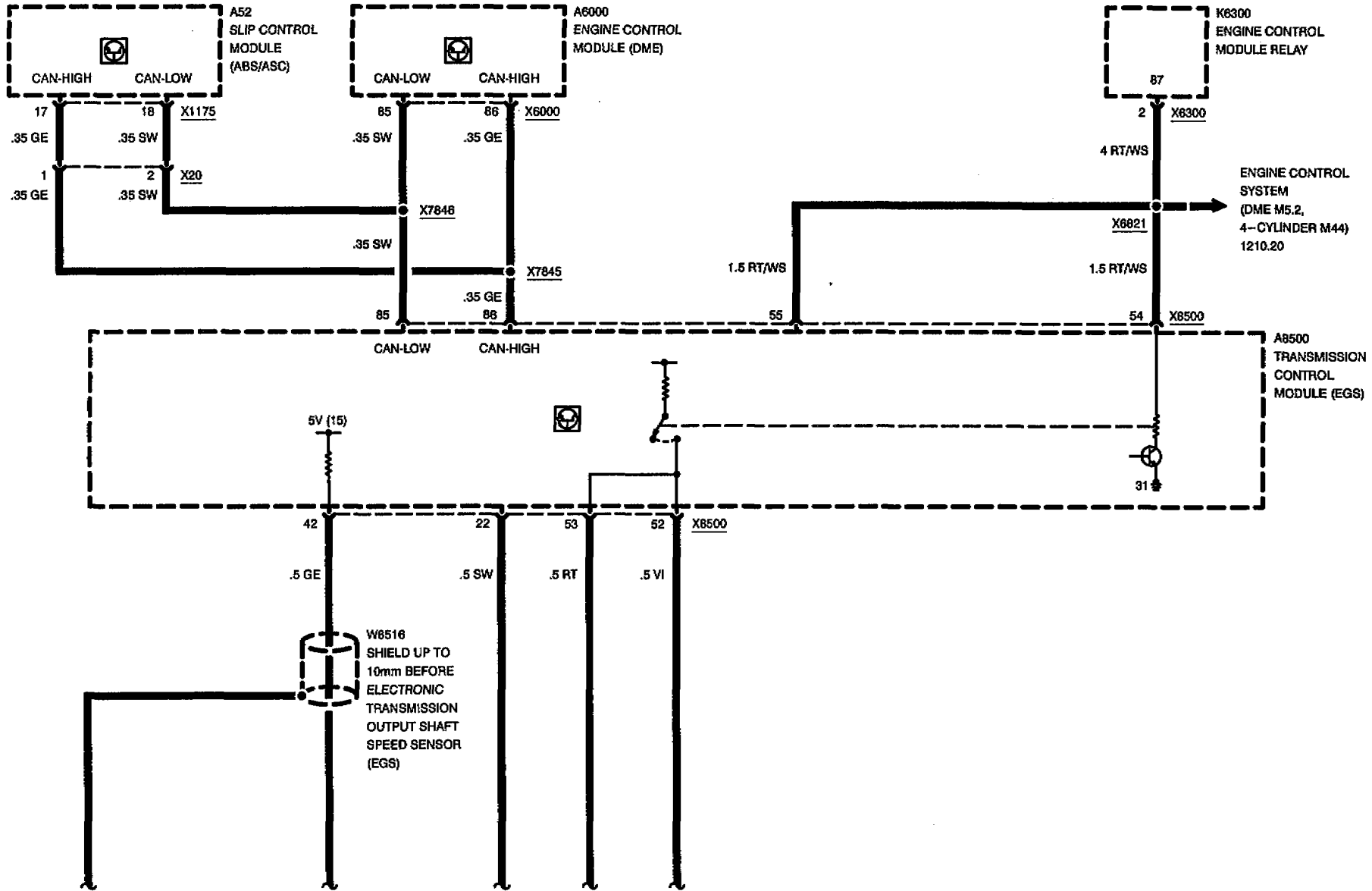
2460.2-01

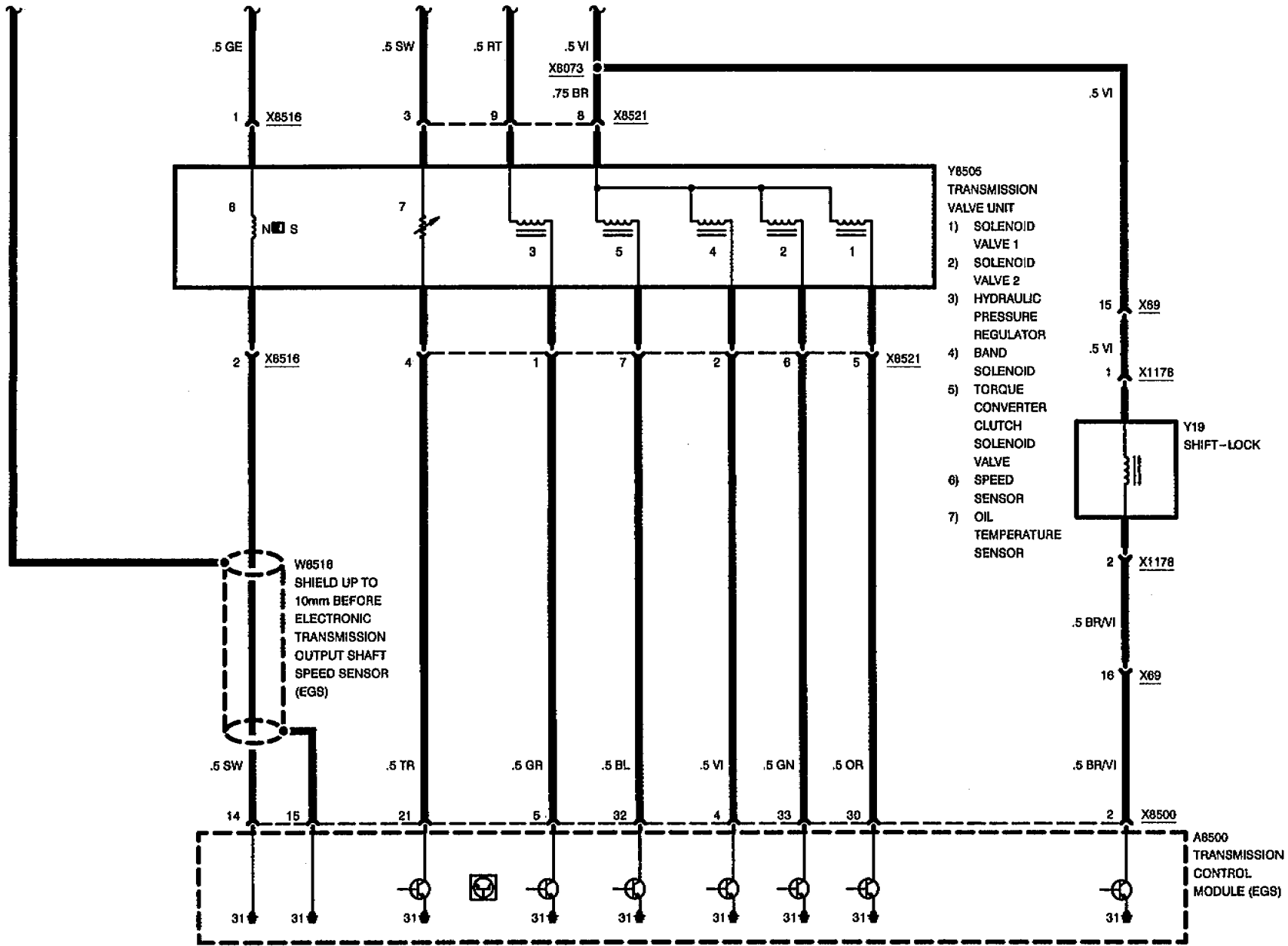
1996



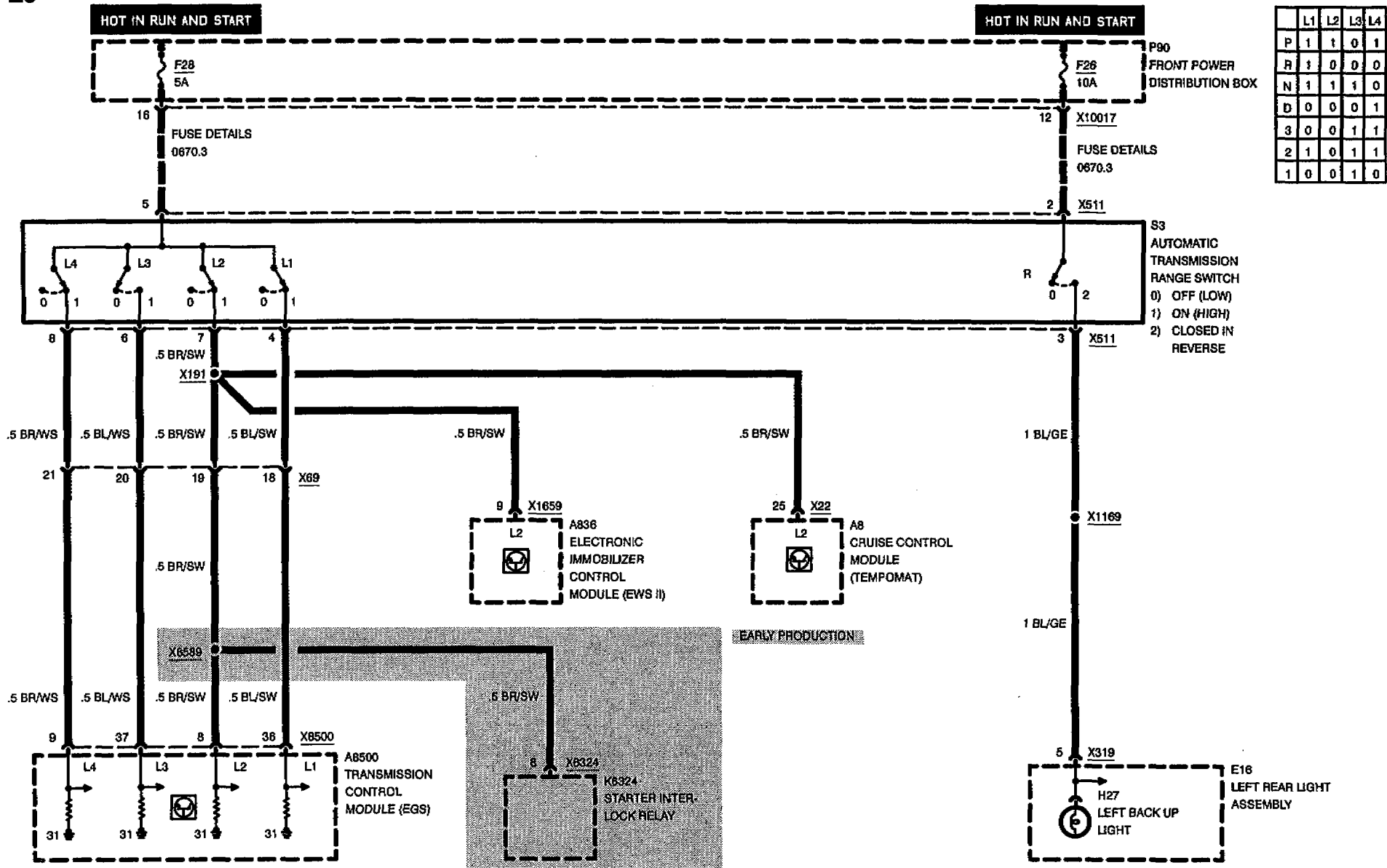
Z3

ELECTRONIC TRANSMISSION CONTROL (EGS A4S 310R)





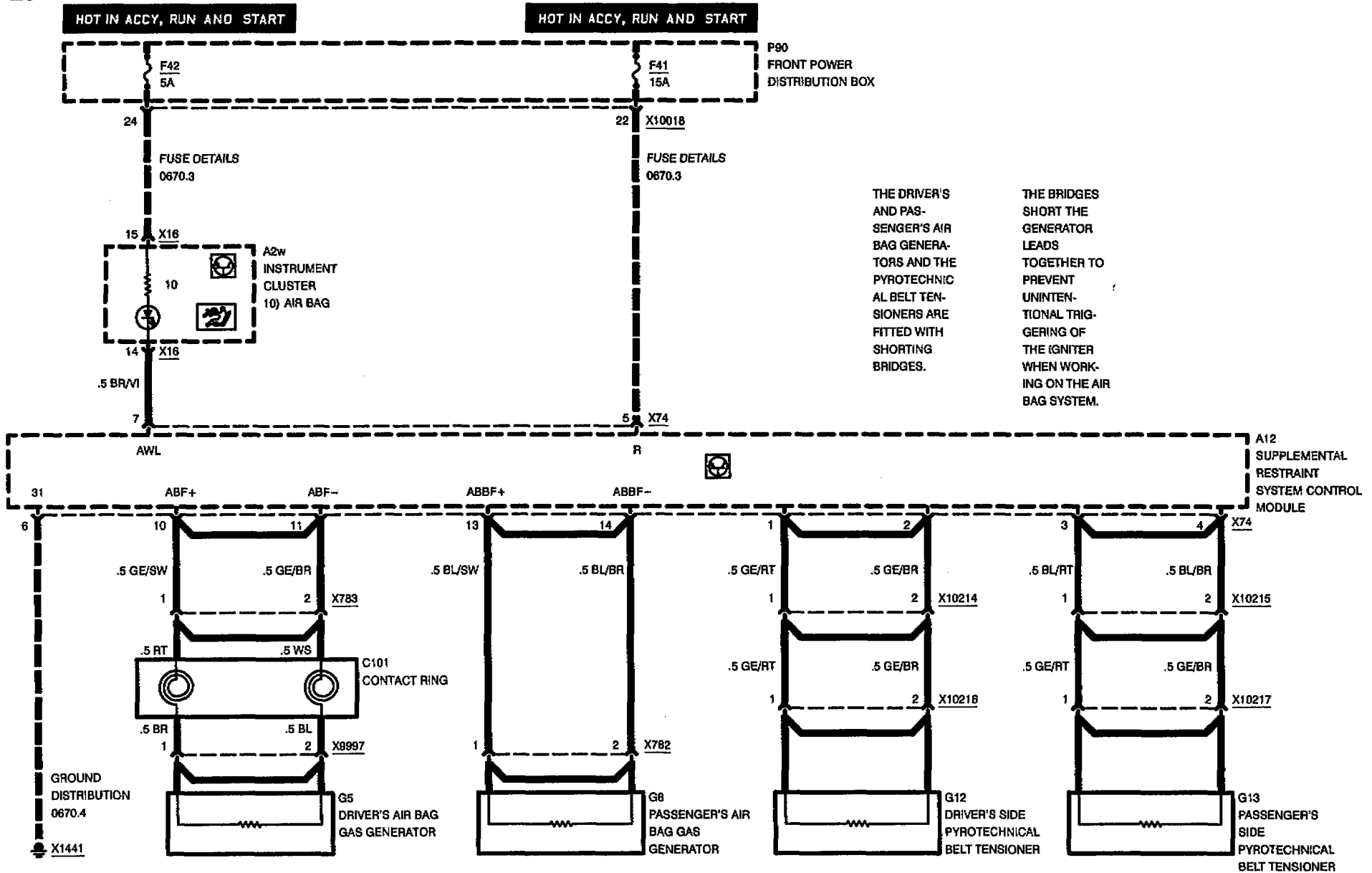
ELECTRONIC TRANSMISSION CONTROL (EGS A4S 310R)



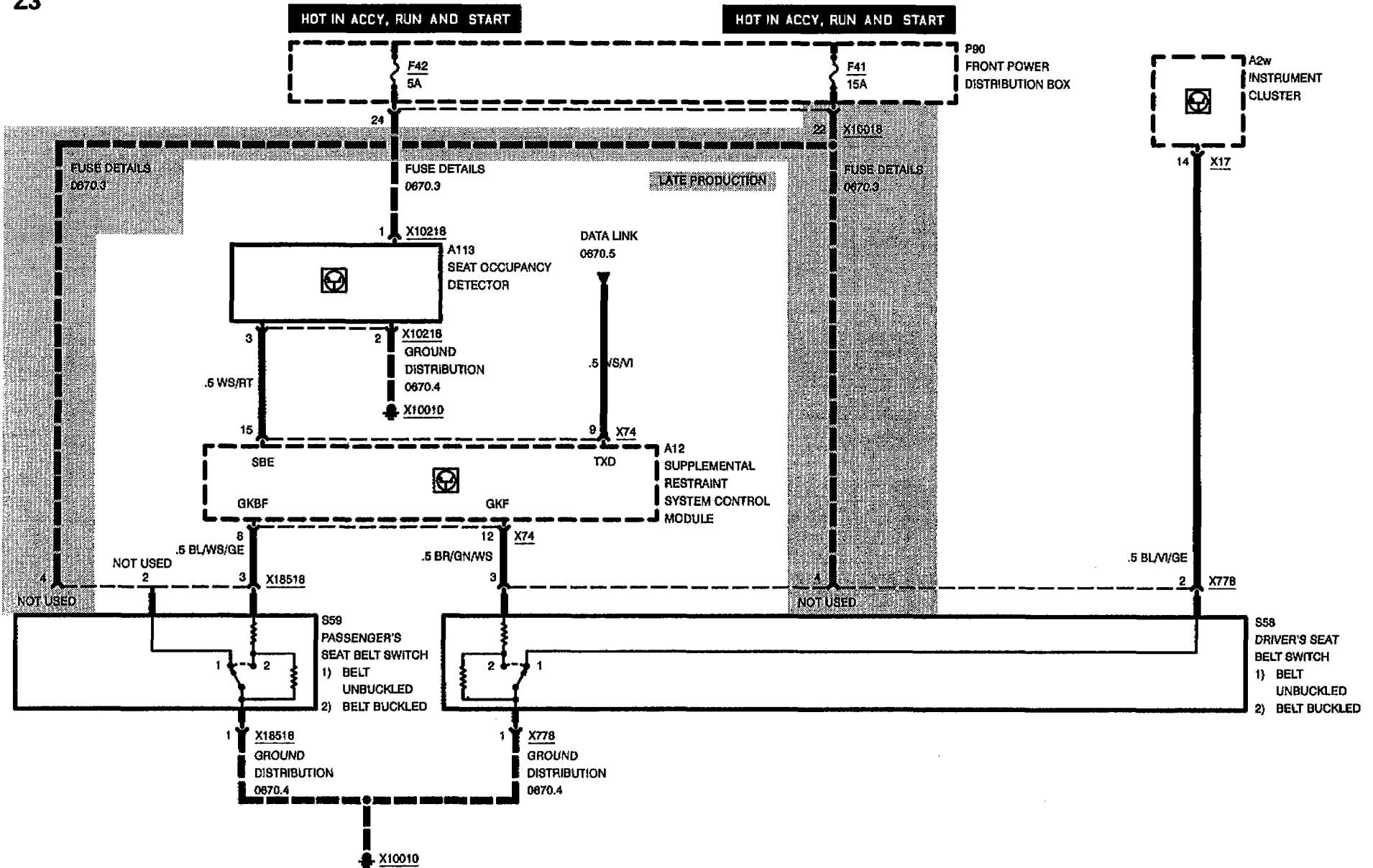
BMW
3
Z3

3234.0

SUPPLEMENTAL RESTRAINT SYSTEM (AIR BAG)



SUPPLEMENTAL RESTRAINT SYSTEM (AIR BAG)

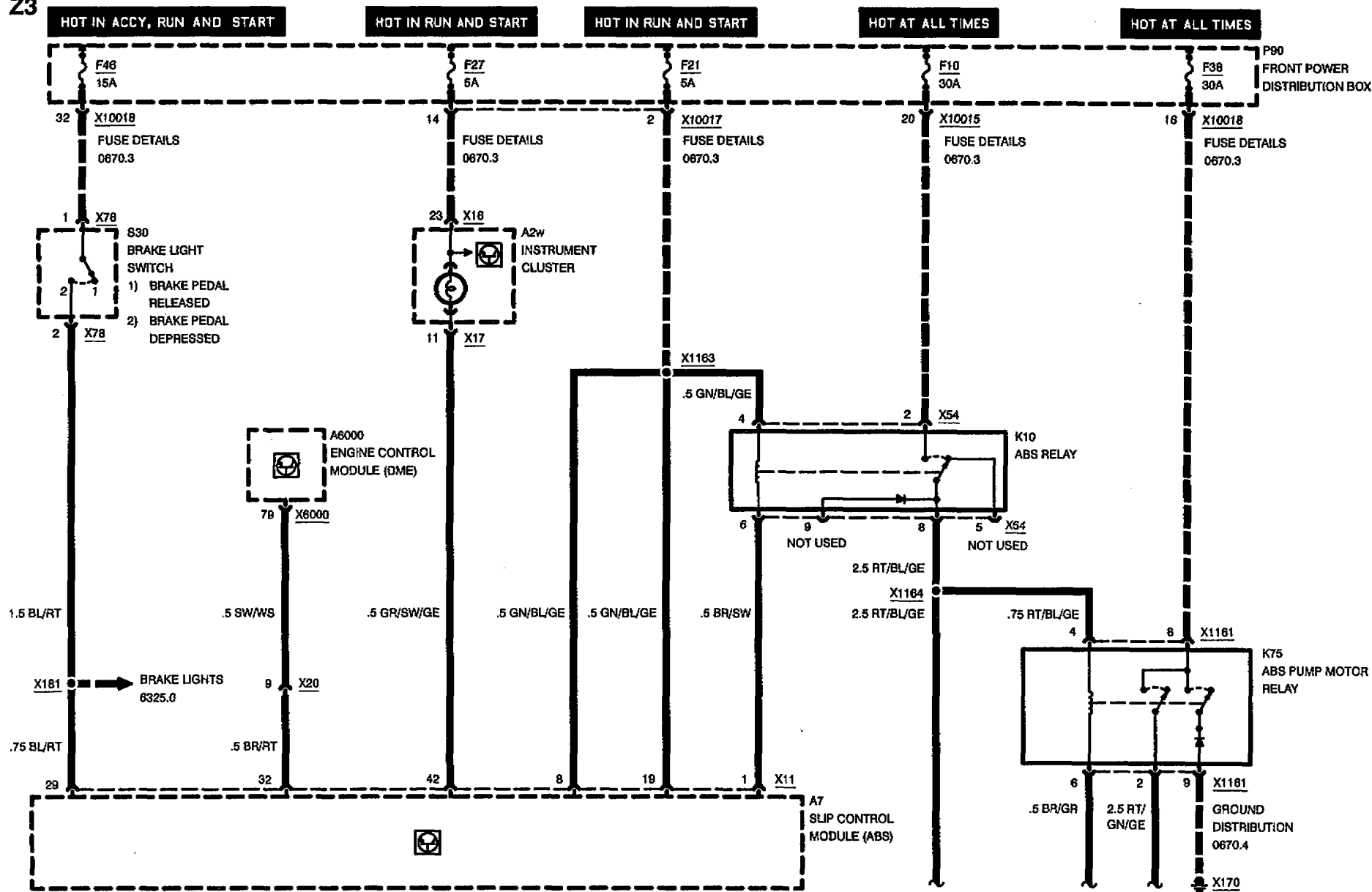




SLIP CONTROL (ABS)

EARLY PRODUCTION

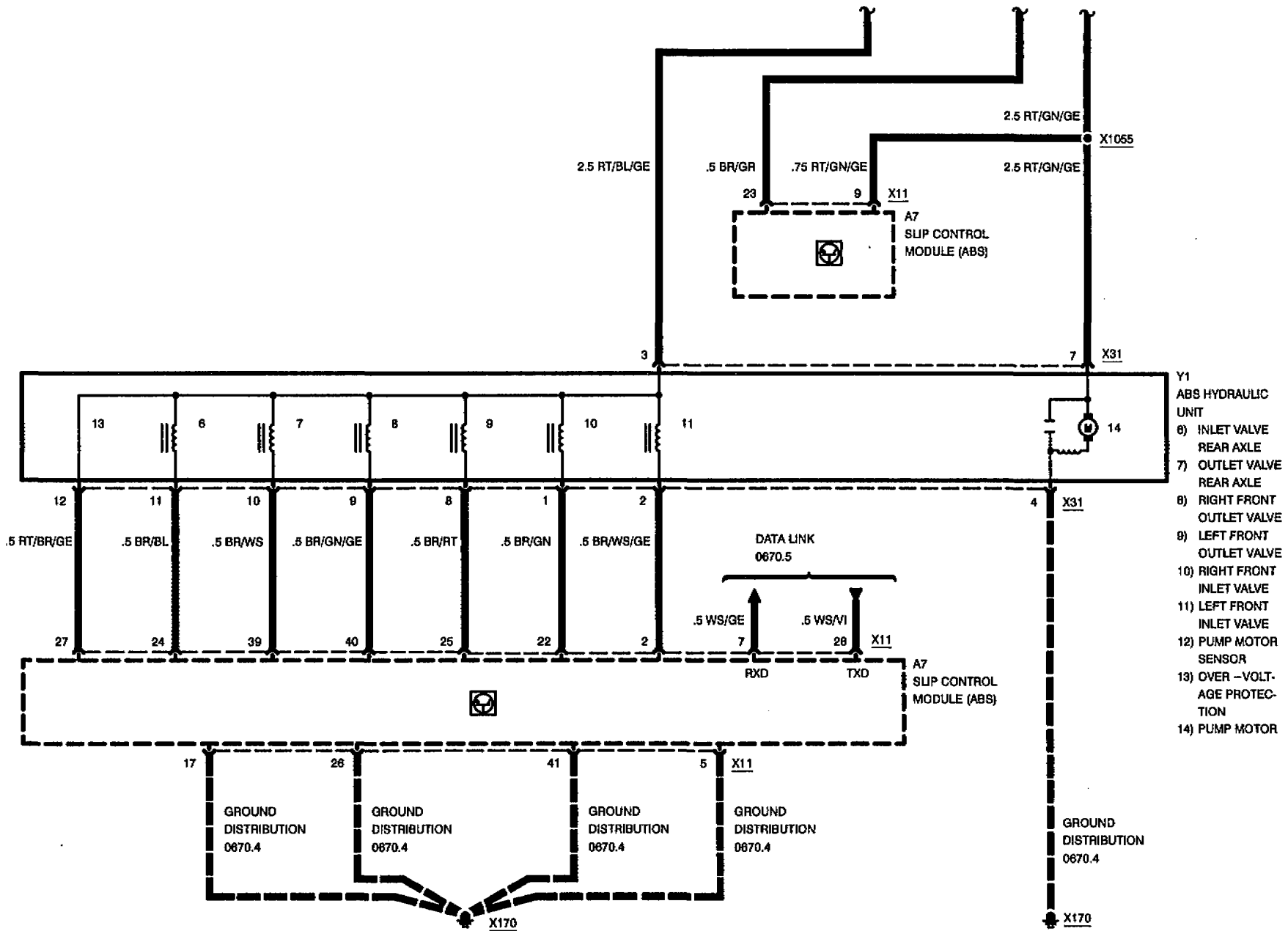
Z3



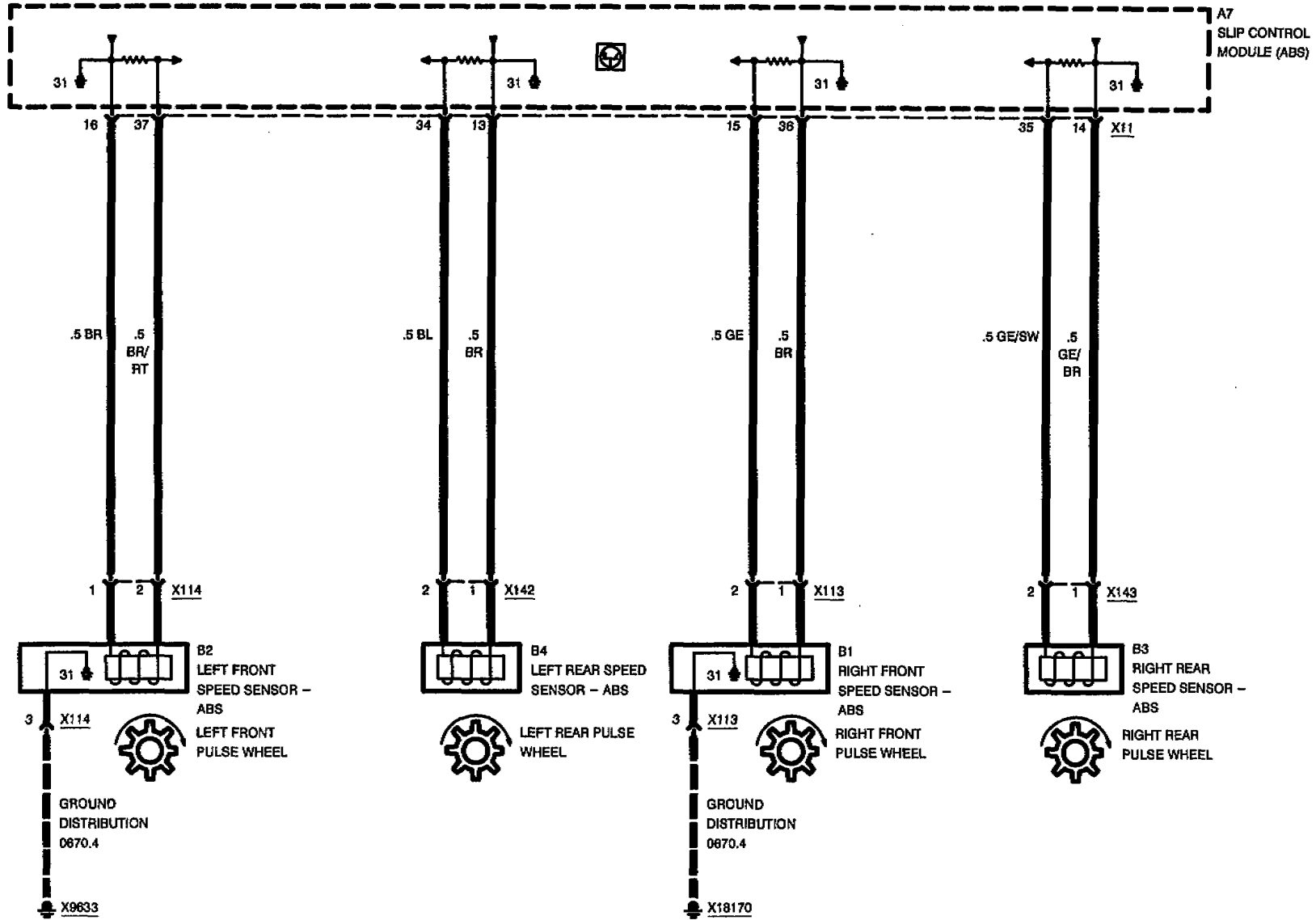
04/97

3450.0-00

1996



- Y1
ABS HYDRAULIC UNIT
- 6) INLET VALVE REAR AXLE
 - 7) OUTLET VALVE REAR AXLE
 - 8) RIGHT FRONT OUTLET VALVE
 - 9) LEFT FRONT OUTLET VALVE
 - 10) RIGHT FRONT INLET VALVE
 - 11) LEFT FRONT INLET VALVE
 - 12) PUMP MOTOR SENSOR
 - 13) OVER-VOLTAGE PROTECTION
 - 14) PUMP MOTOR

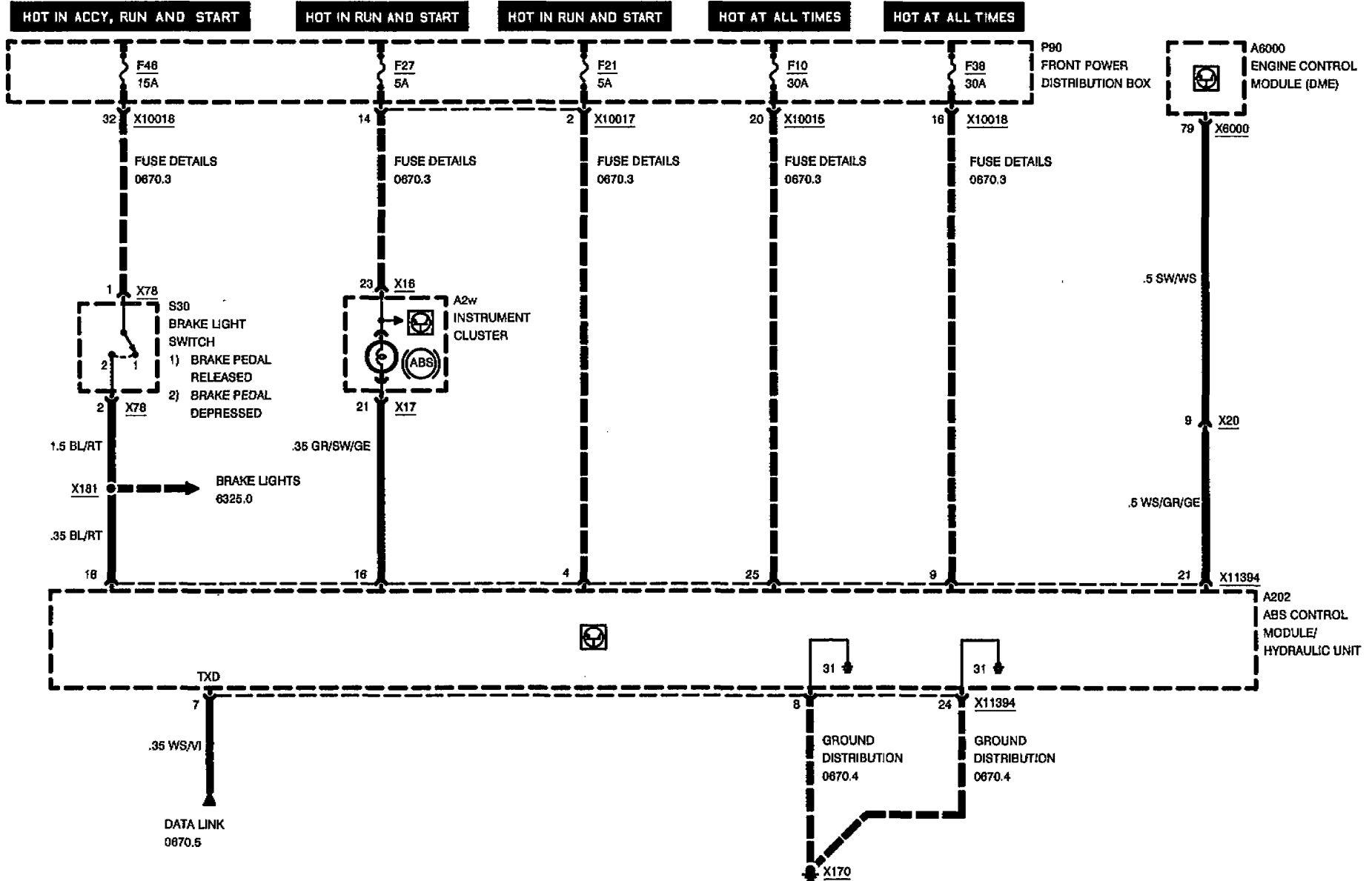




SLIP CONTROL (ABS)

LATE PRODUCTION

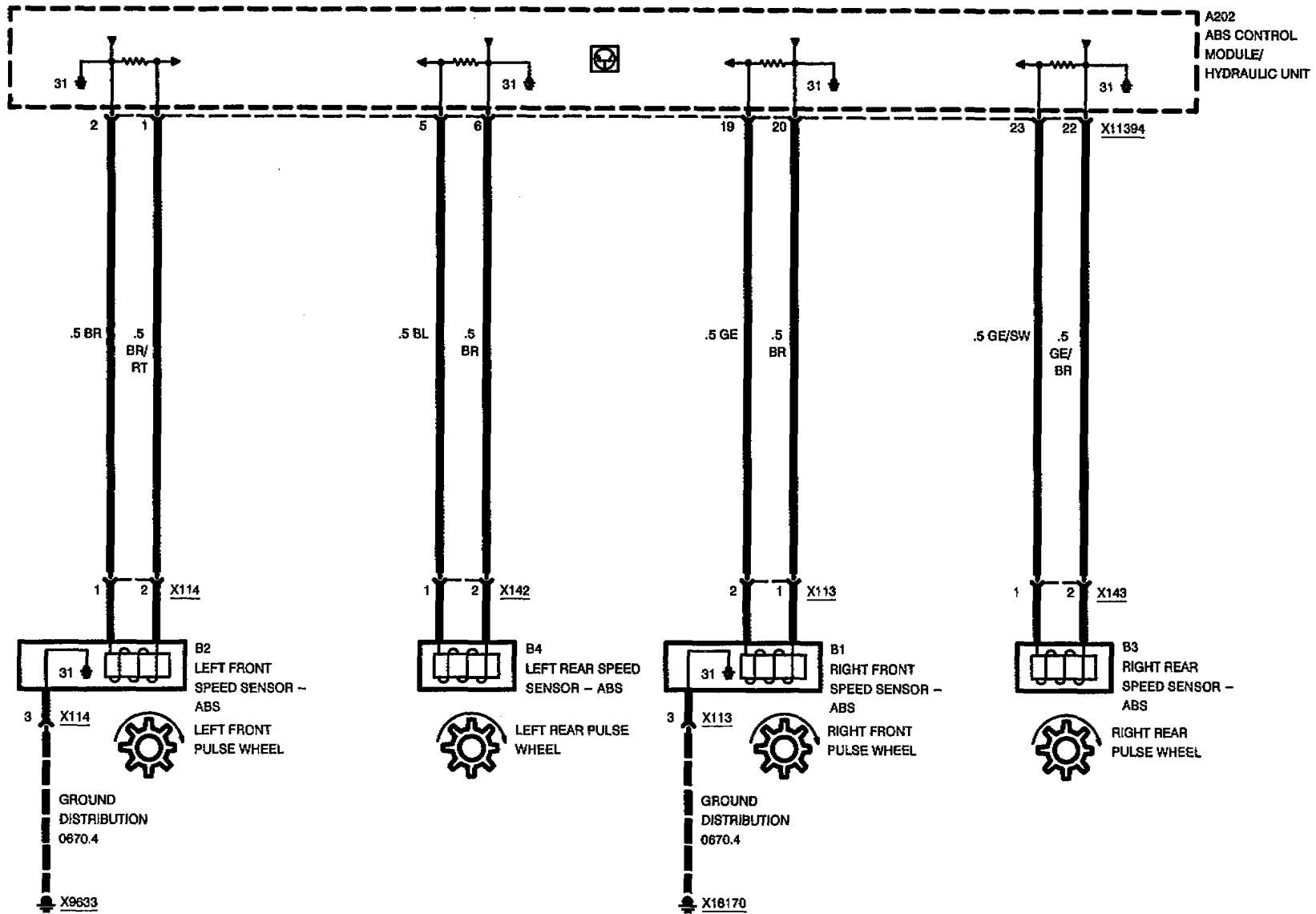
Z3



04/97

3450.0-03

1996



BMW
3

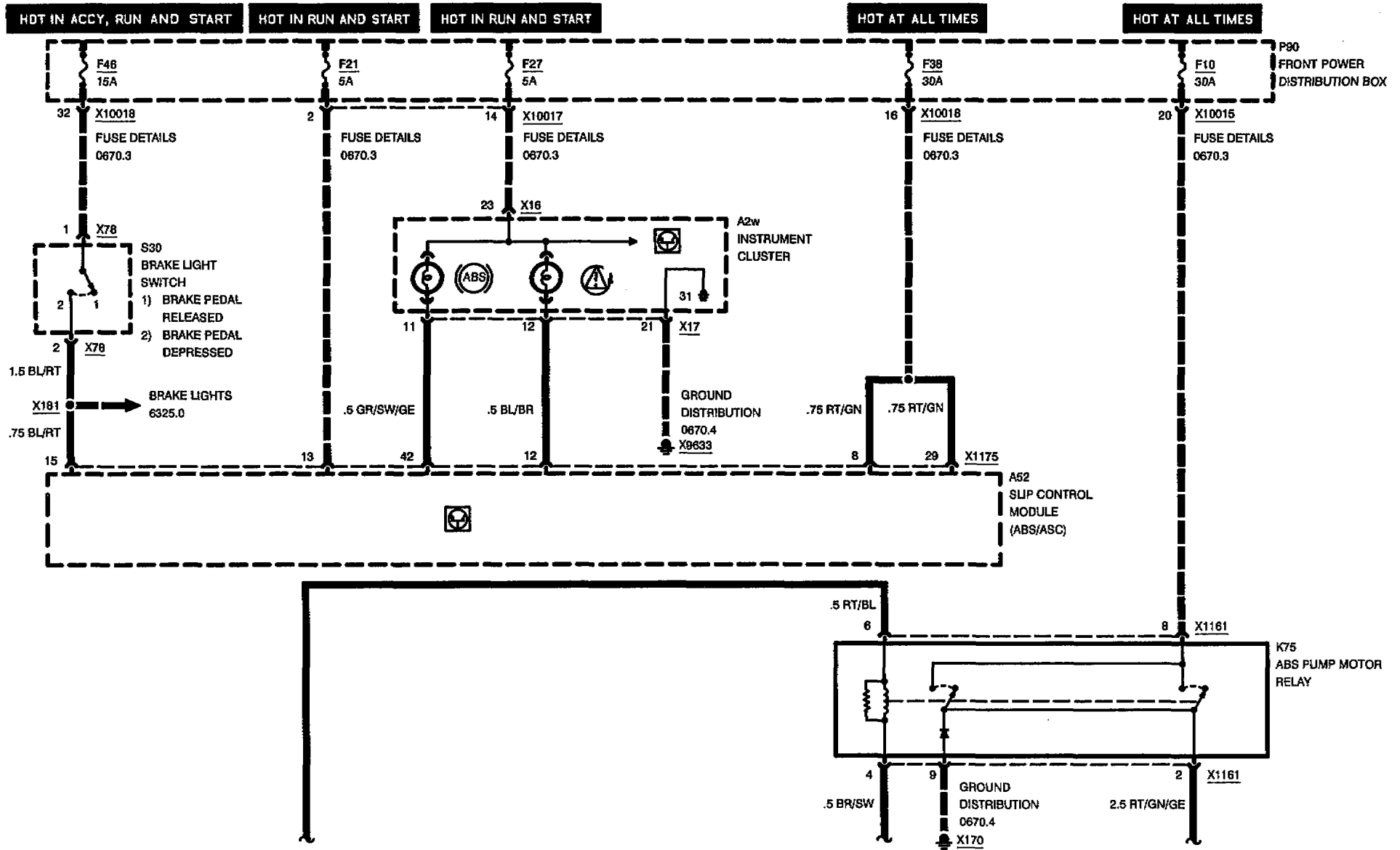
Z3

3450.1



SLIP CONTROL (ABS/ASC)

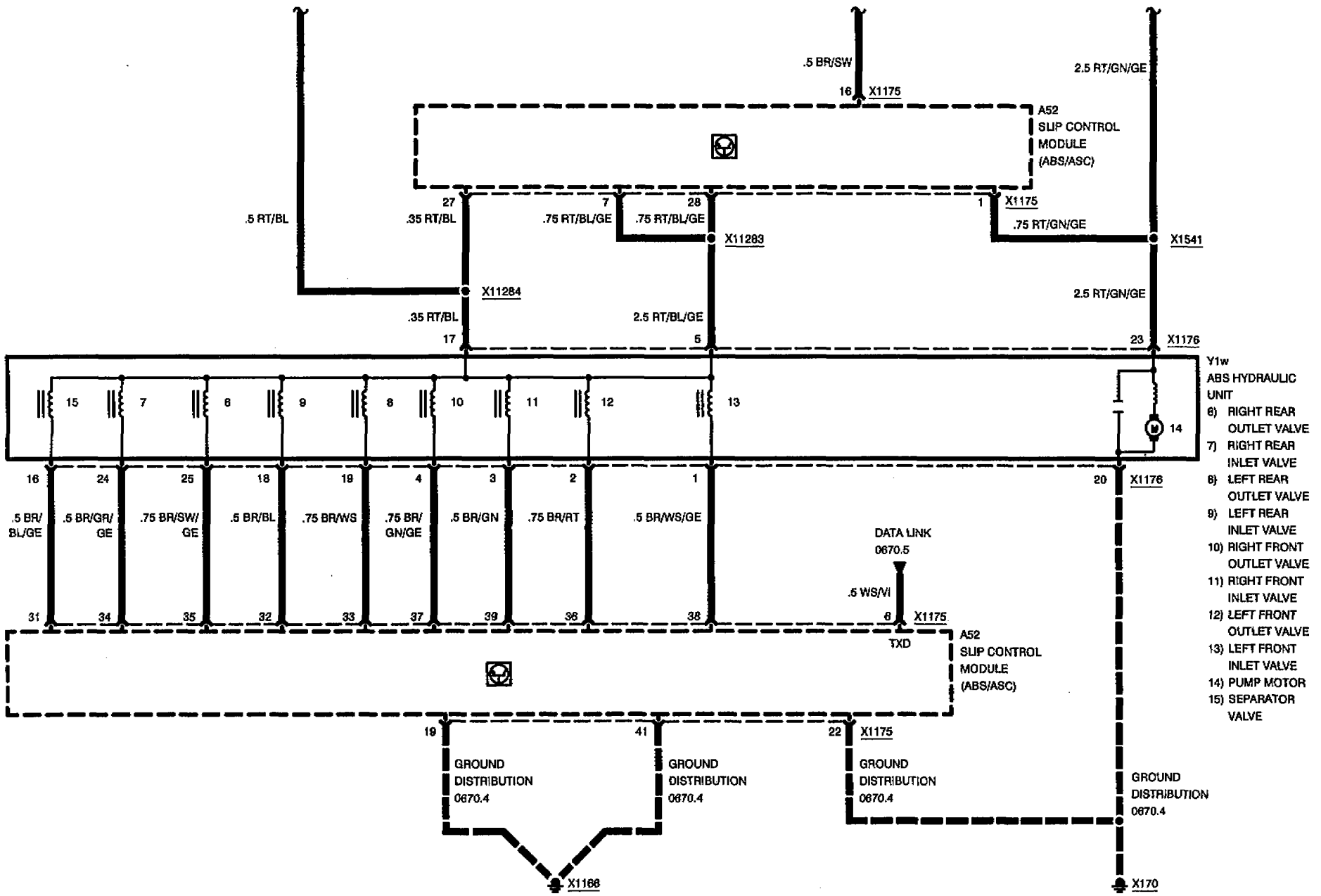
Z3



04/97

3450.1-00

1996



- Y1w
ABS HYDRAULIC UNIT
- 6) RIGHT REAR OUTLET VALVE
 - 7) RIGHT REAR INLET VALVE
 - 8) LEFT REAR OUTLET VALVE
 - 9) LEFT REAR INLET VALVE
 - 10) RIGHT FRONT OUTLET VALVE
 - 11) RIGHT FRONT INLET VALVE
 - 12) LEFT FRONT OUTLET VALVE
 - 13) LEFT FRONT INLET VALVE
 - 14) PUMP MOTOR
 - 15) SEPARATOR VALVE

GROUND DISTRIBUTION 0670.4

GROUND DISTRIBUTION 0670.4

GROUND DISTRIBUTION 0670.4

GROUND DISTRIBUTION 0670.4

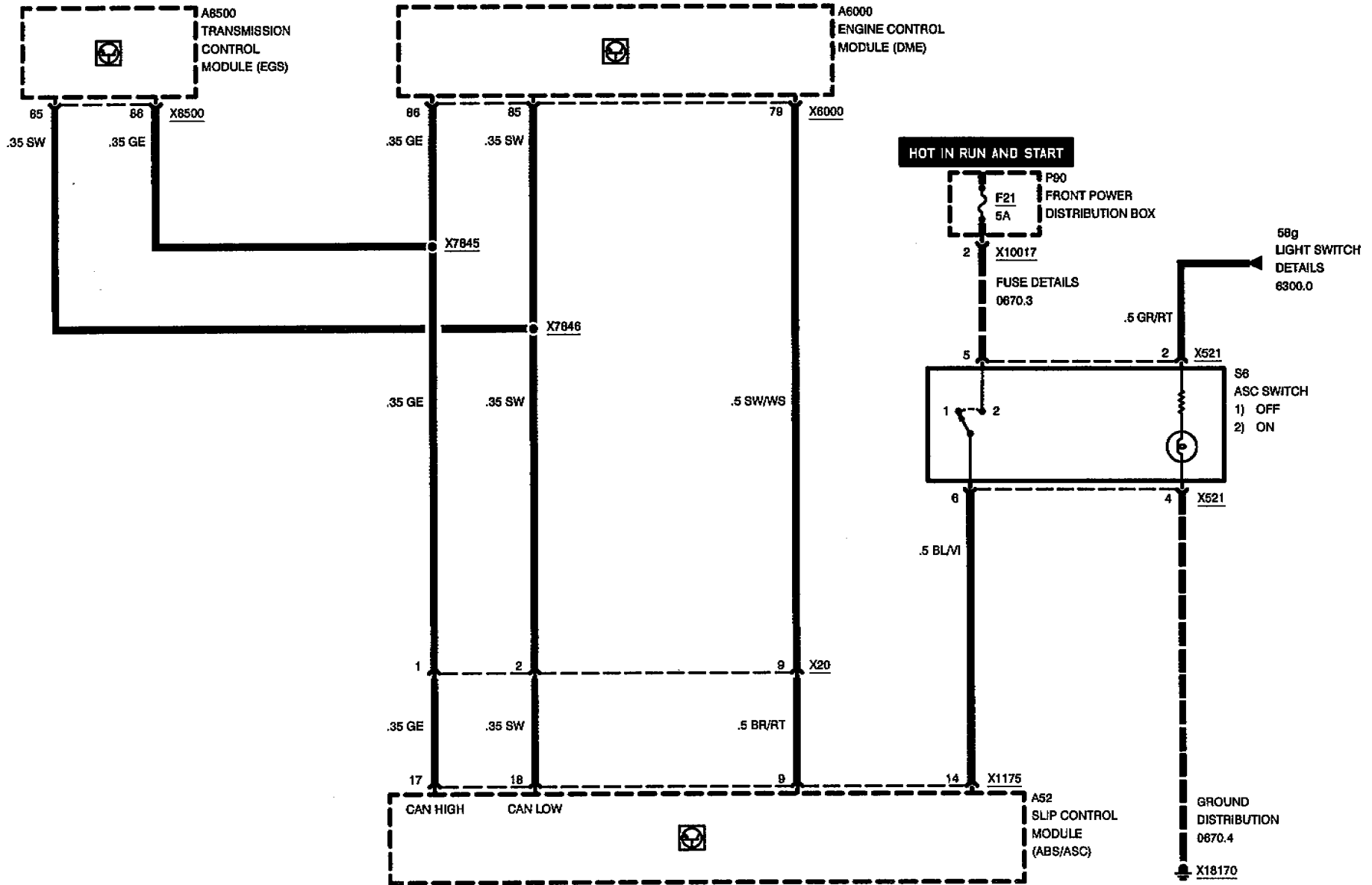
X1168

X170

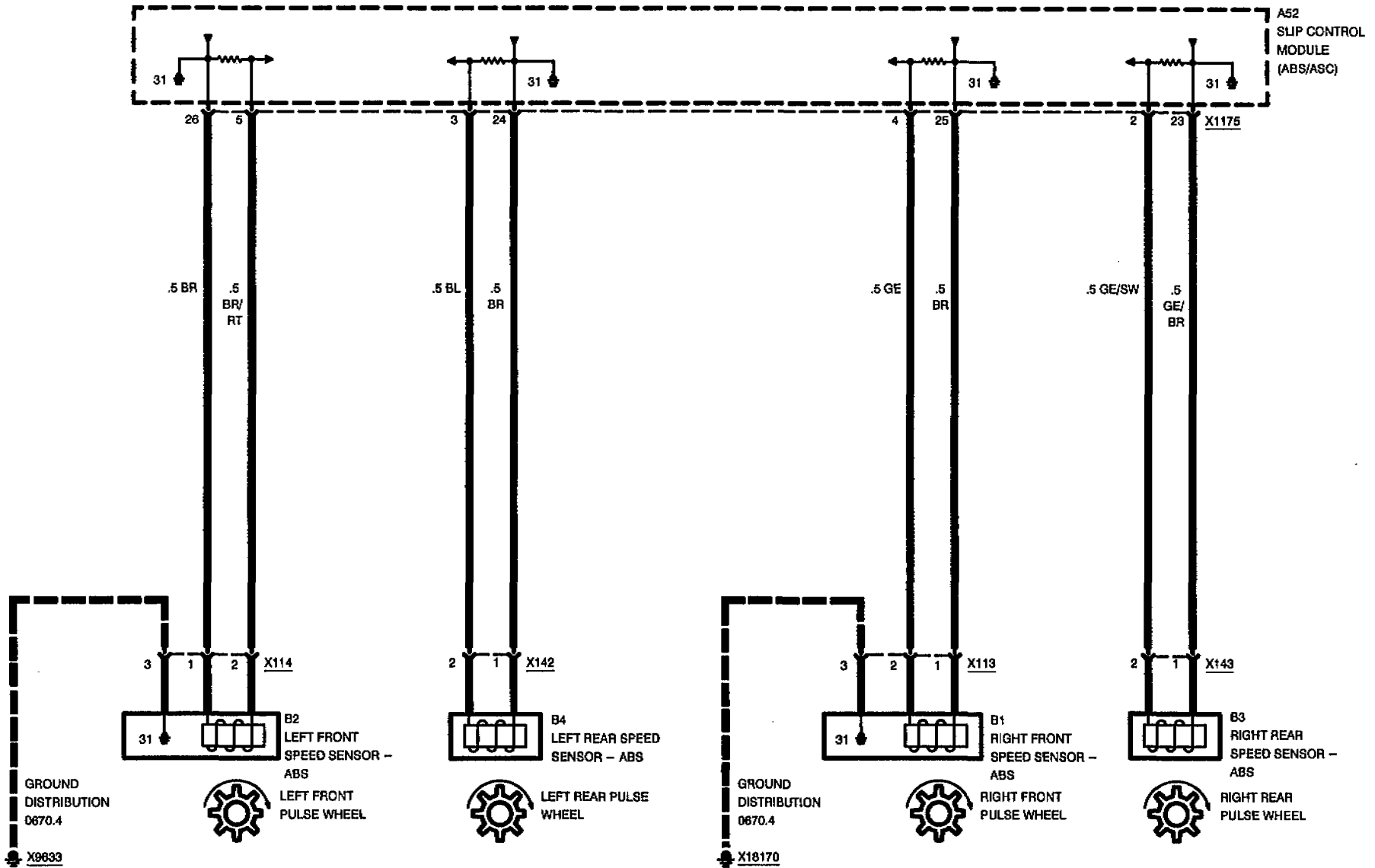


SLIP CONTROL (ABS/ASC)

Z3



SLIP CONTROL (ABS/ASC)





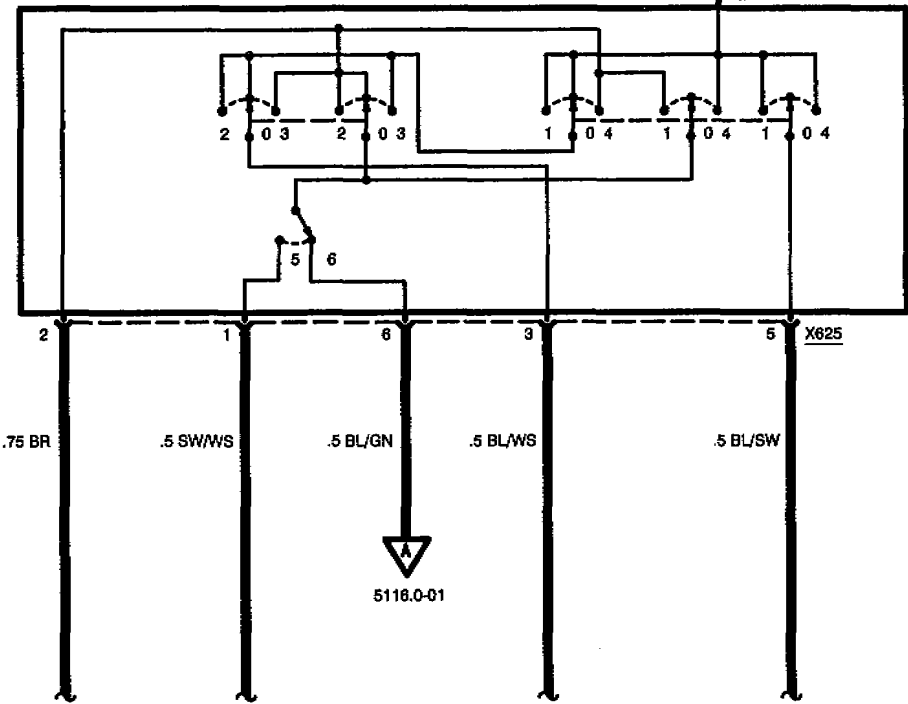
POWER MIRRORS OUTSIDE MIRROR

HOT IN RUN AND START



FUSE DETAILS
0670.3

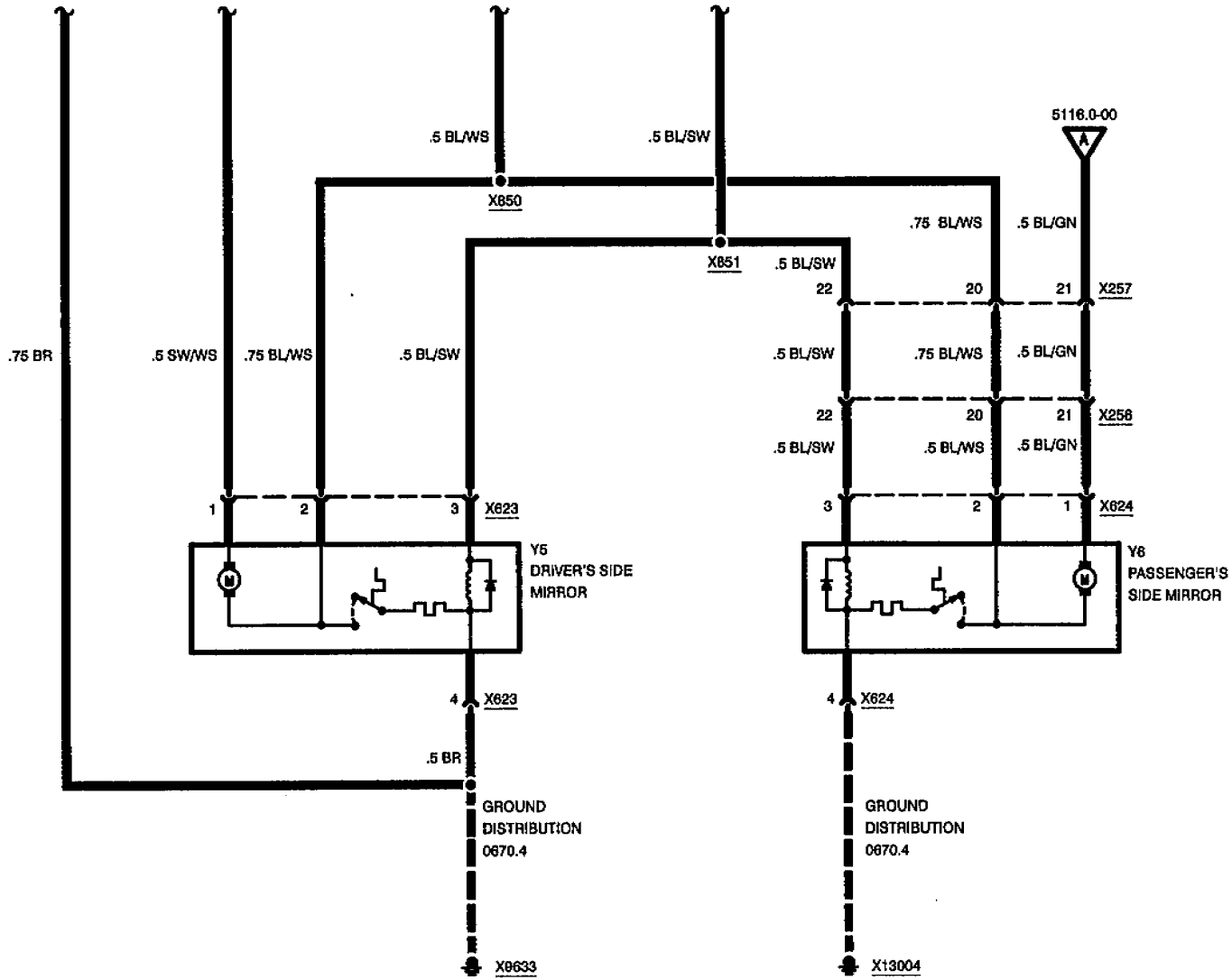
4 X625



- S17
MIRROR CONTROL
SWITCH
- 0) OFF
 - 1) UP
 - 2) LEFT
 - 3) RIGHT
 - 4) DOWN
 - 5) DRIVER'S SIDE
 - 6) PASSENGER'S SIDE

.75 BR .5 SWWS .5 BL/GN .5 BL/WS .5 BL/SW

5116.0-01

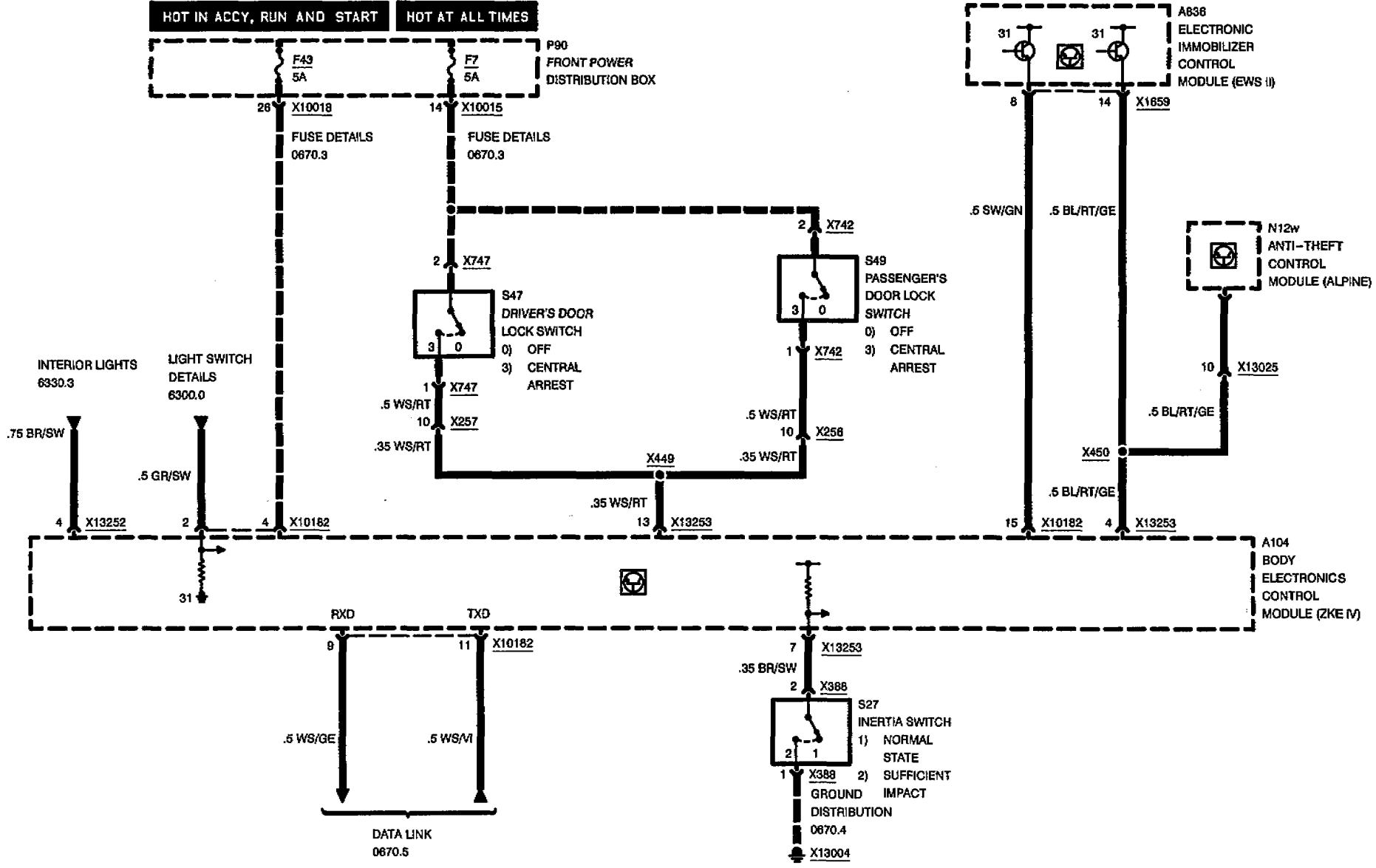




ZKE CENTRAL LOCKING (ZV)

INPUTS, DRIVE-AWAY PROTECTION

Z3

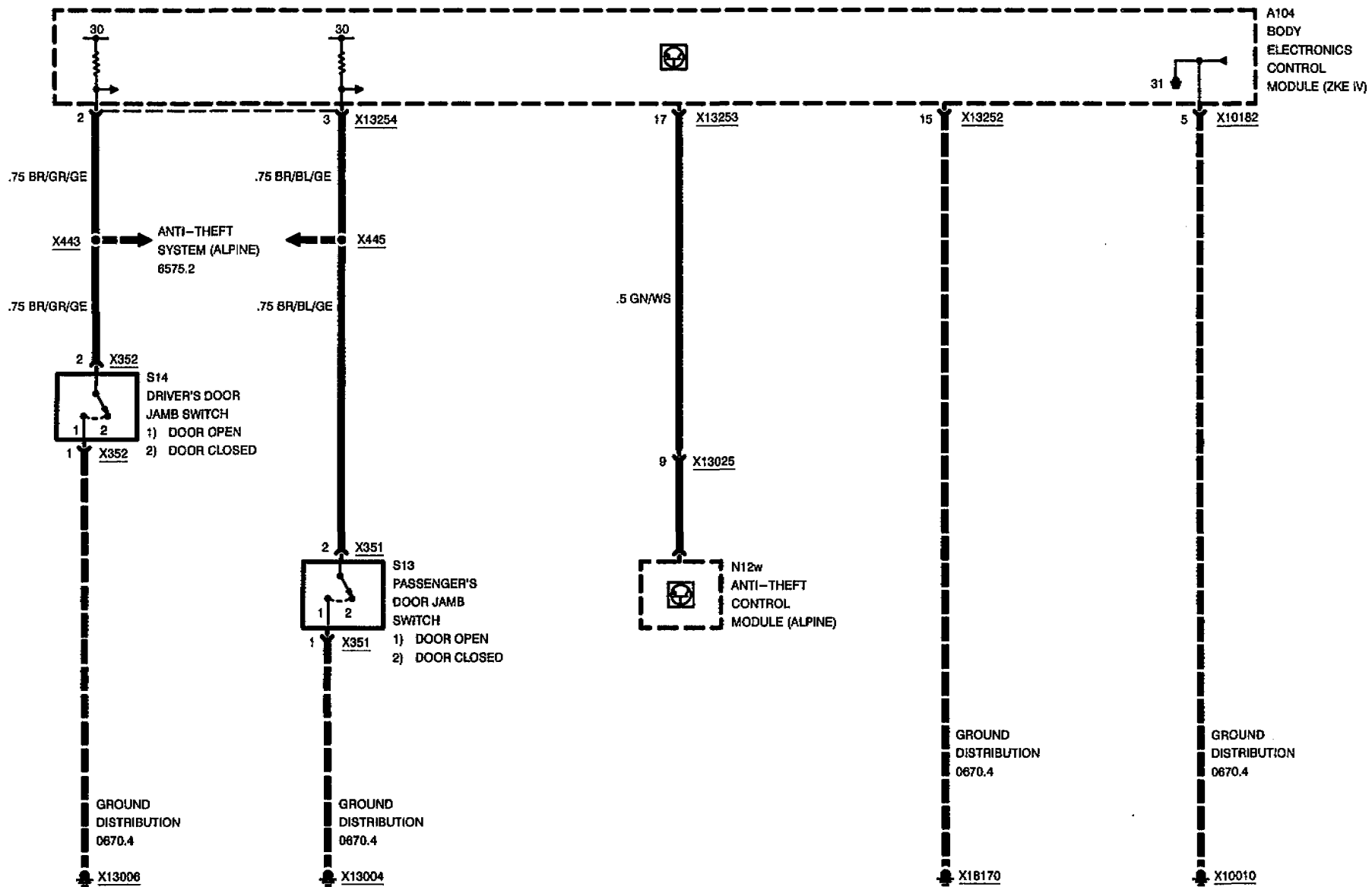




ZKE CENTRAL LOCKING (ZV)

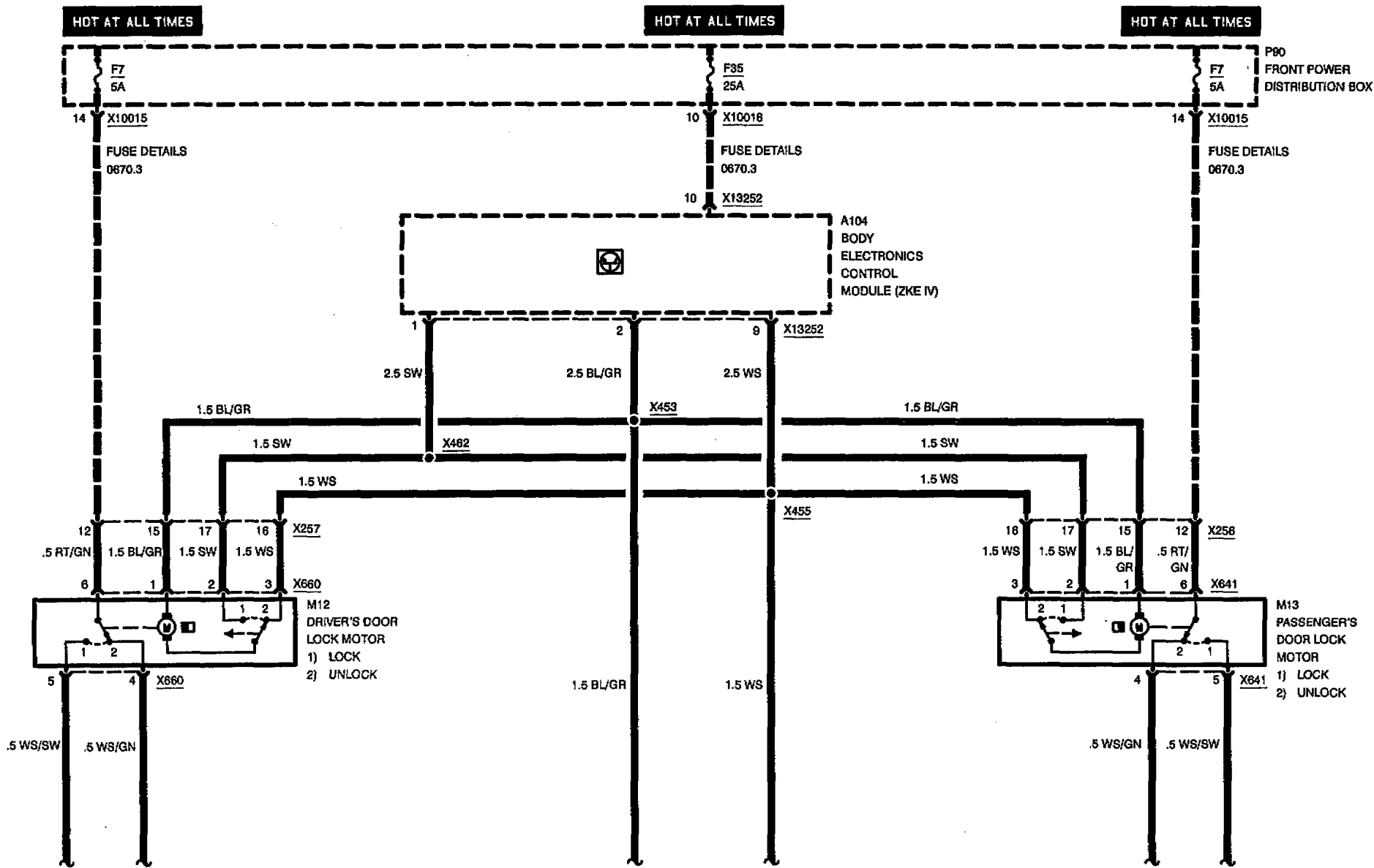
INPUT DETAILS

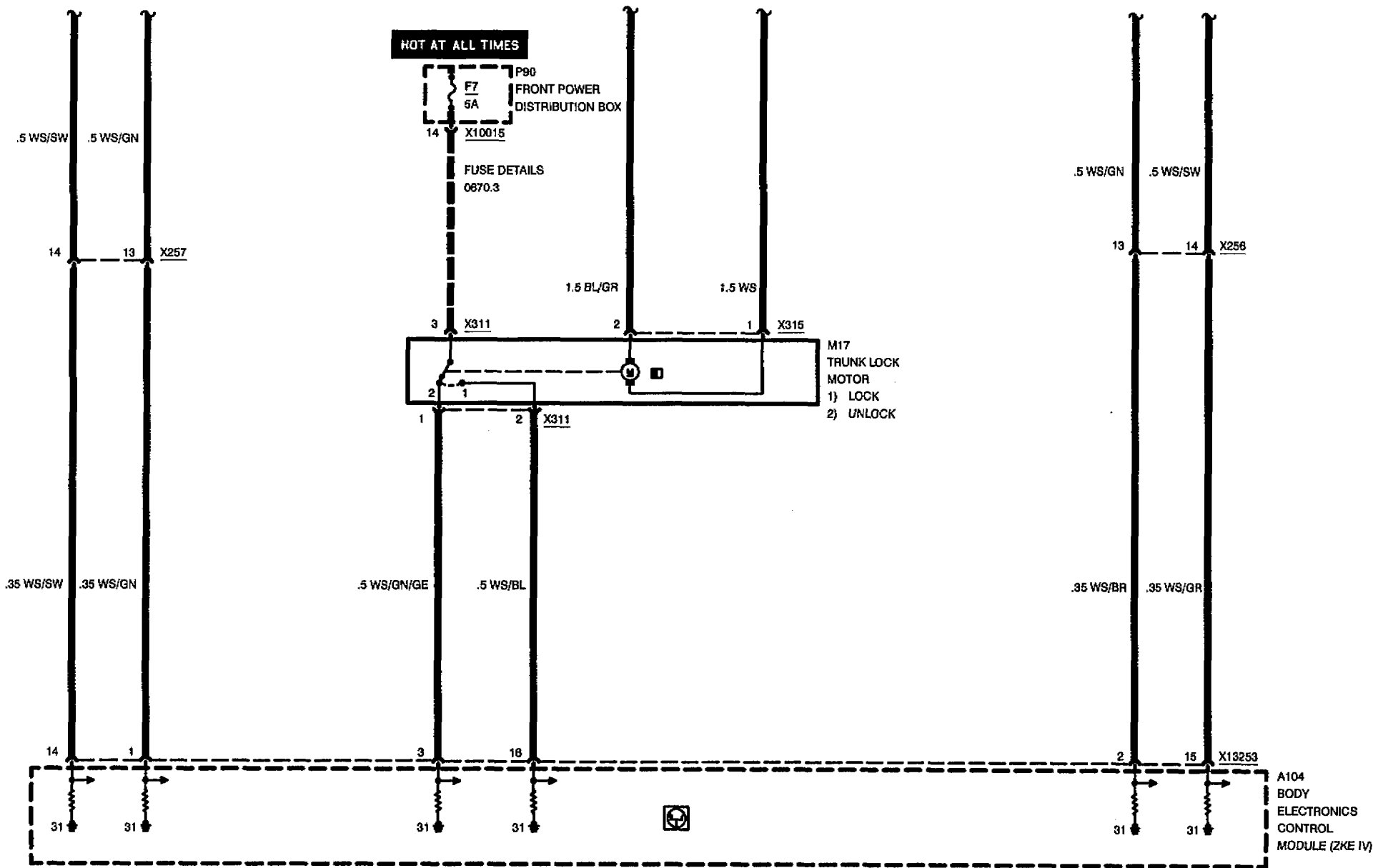
Z3



ZKE CENTRAL LOCKING (ZV)

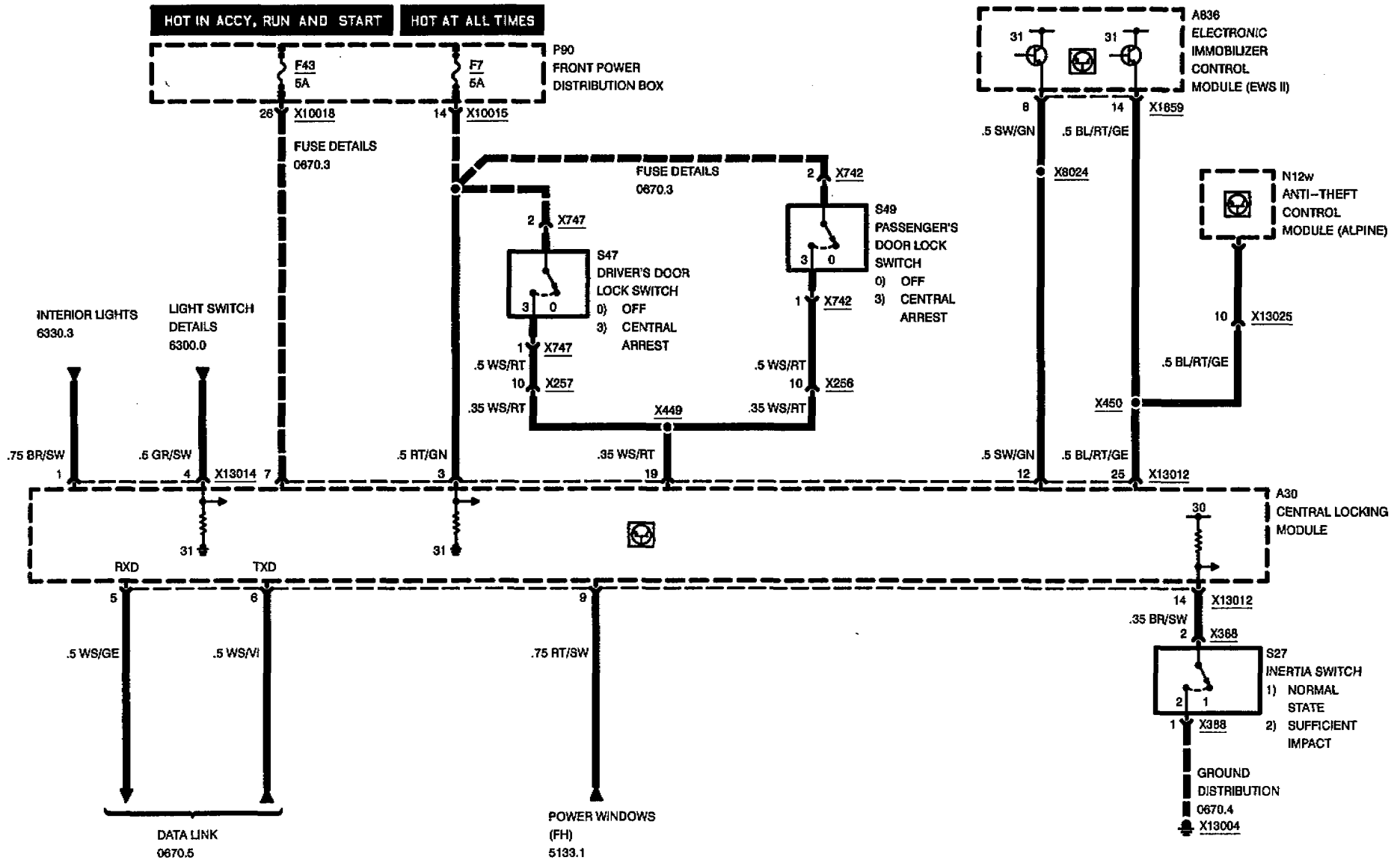
OUTPUT DETAILS





CENTRAL LOCKING MODULE II (ZVM II)

INPUTS, DRIVE-AWAY PROTECTION

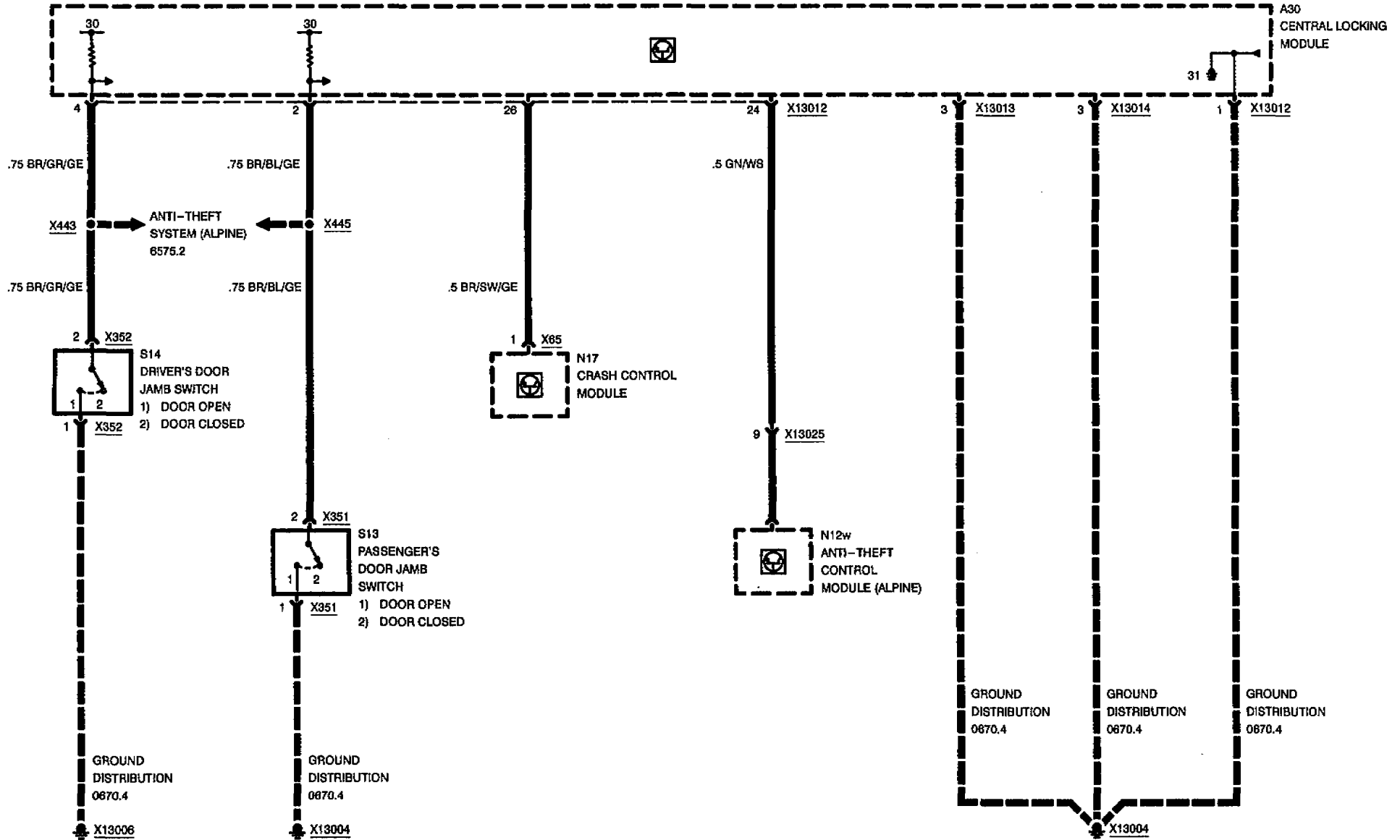




CENTRAL LOCKING MODULE II (ZVM II)

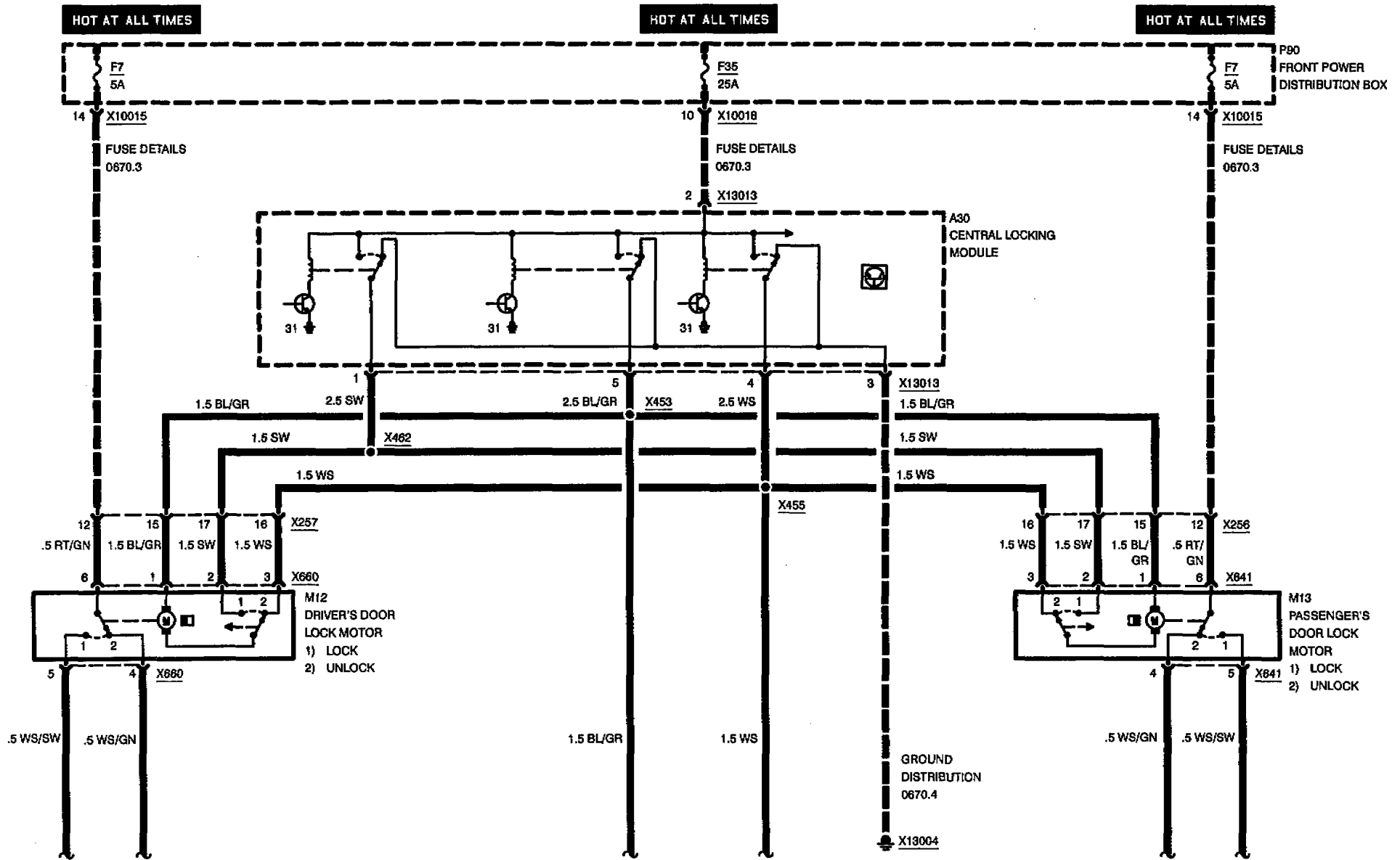
INPUT DETAILS

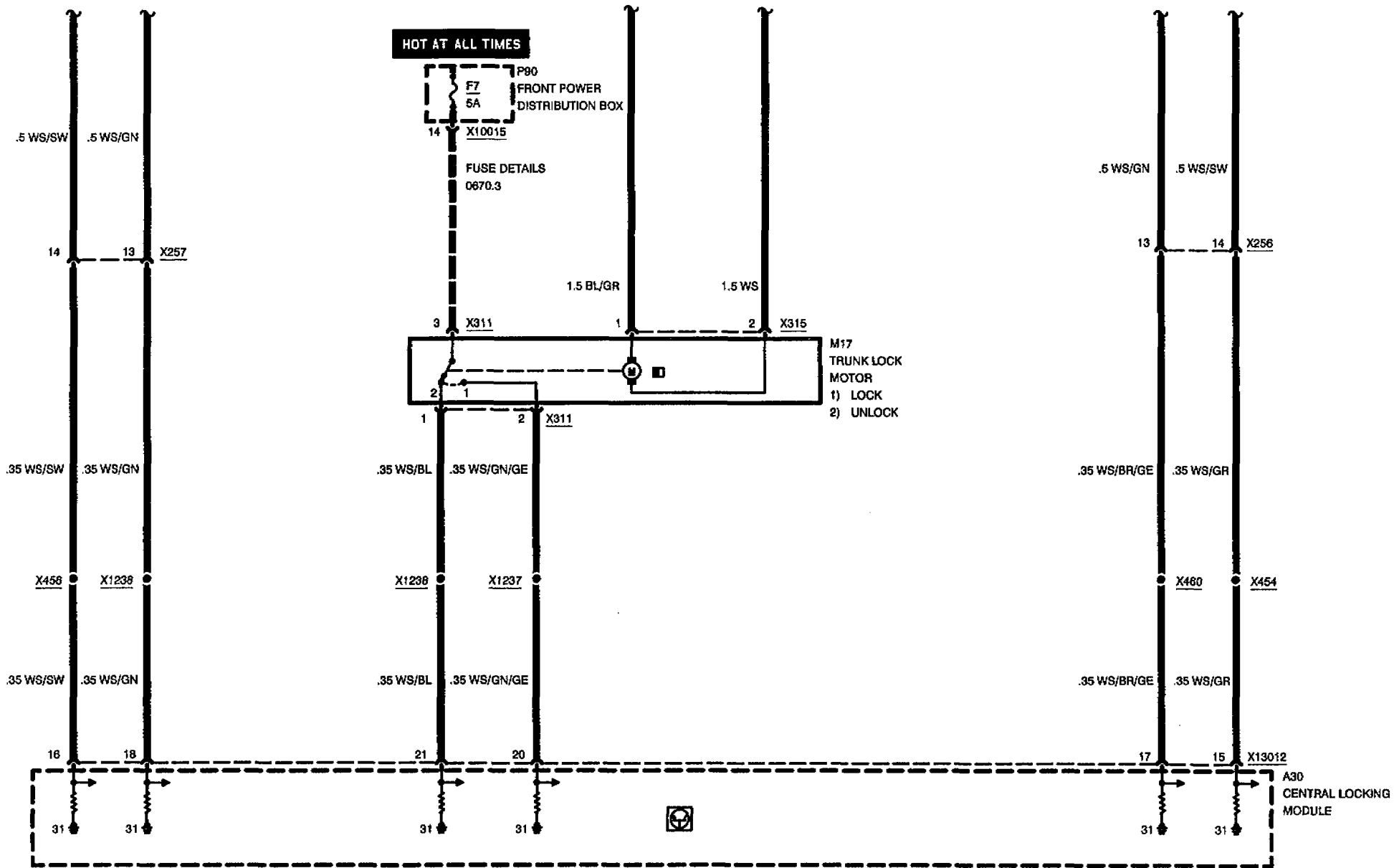
Z3



CENTRAL LOCKING MODULE II (ZVM II)

OUTPUT DETAILS

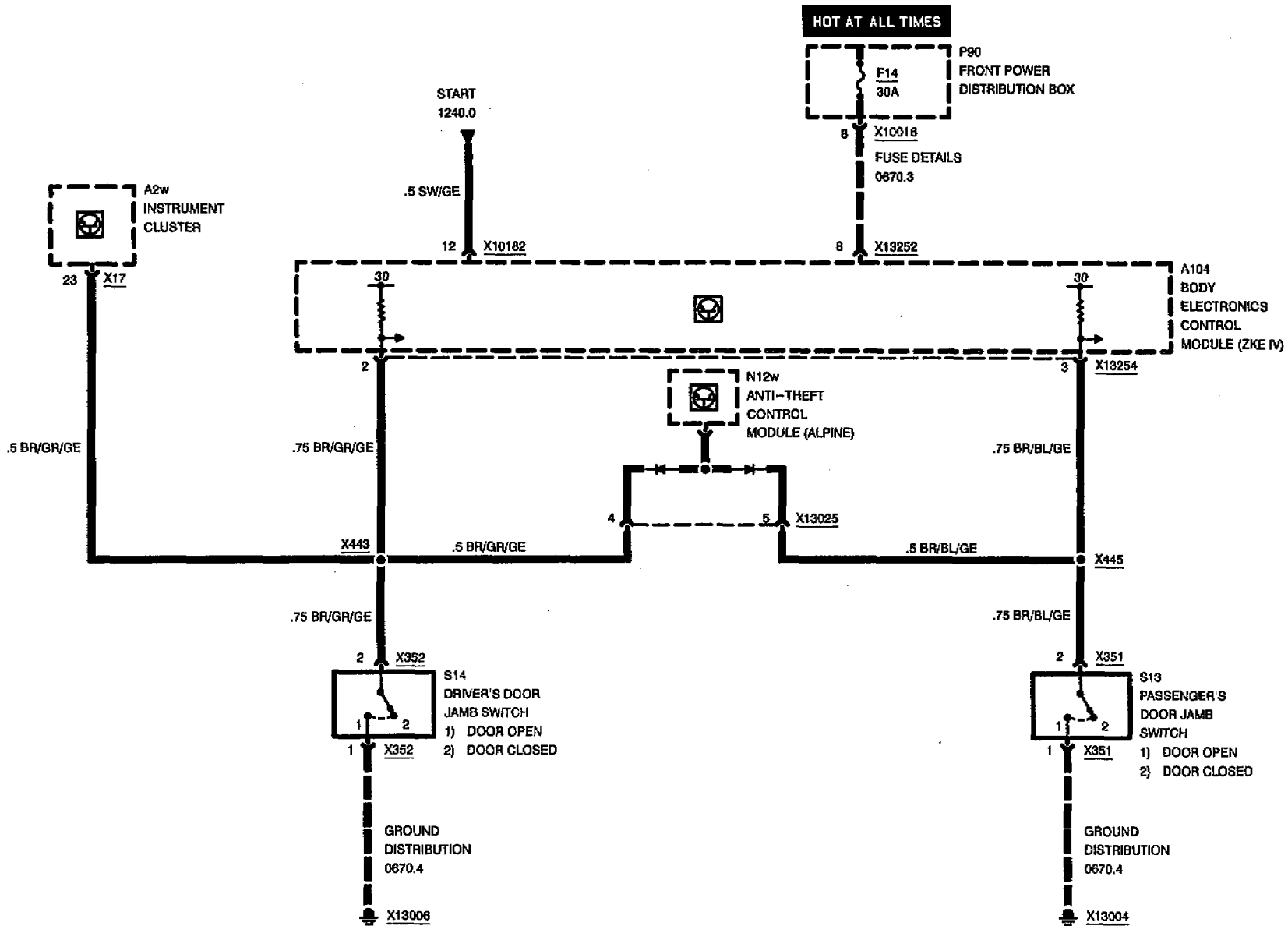






ZKE POWER WINDOWS (FH)

INPUT DETAILS

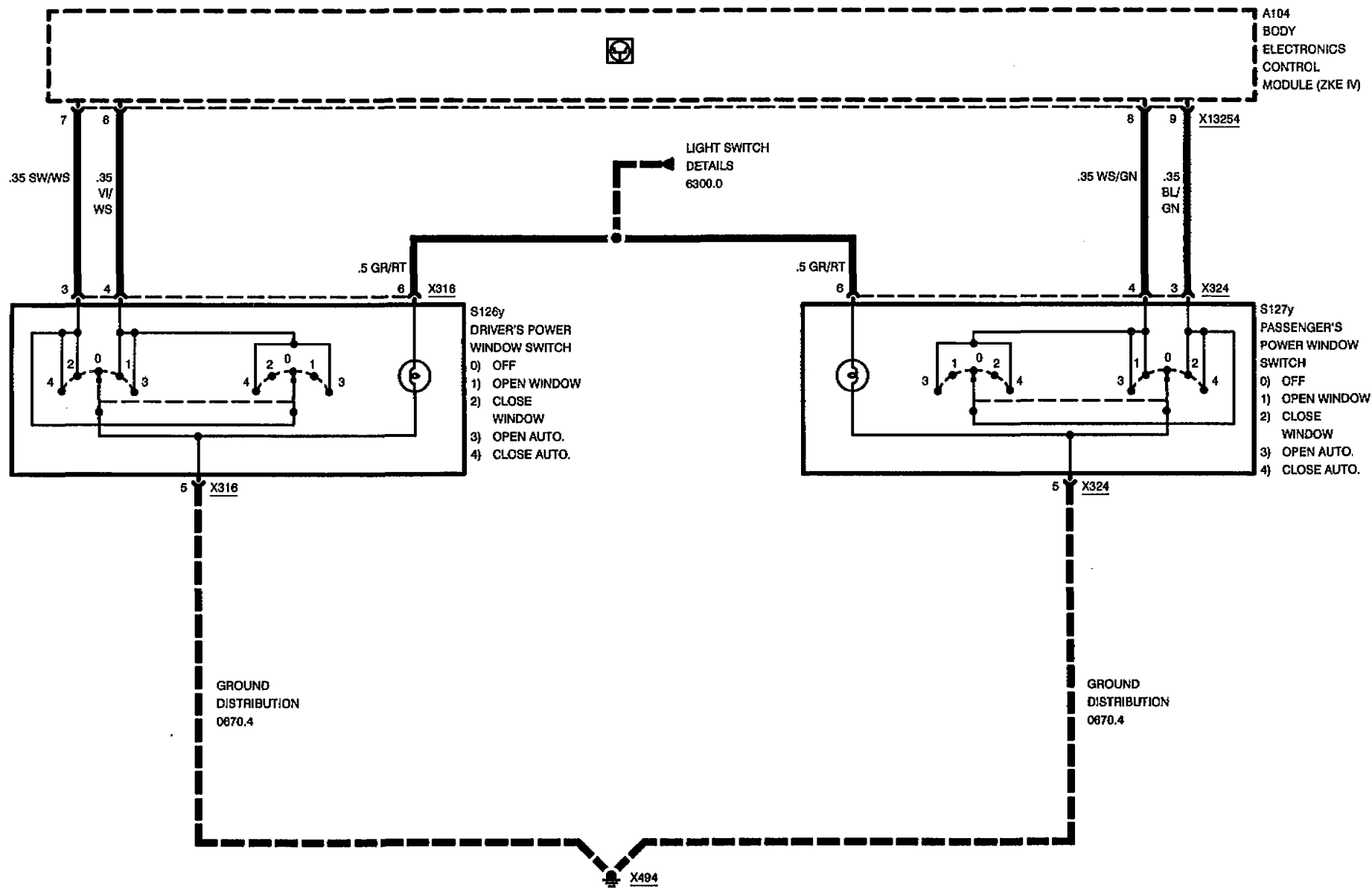




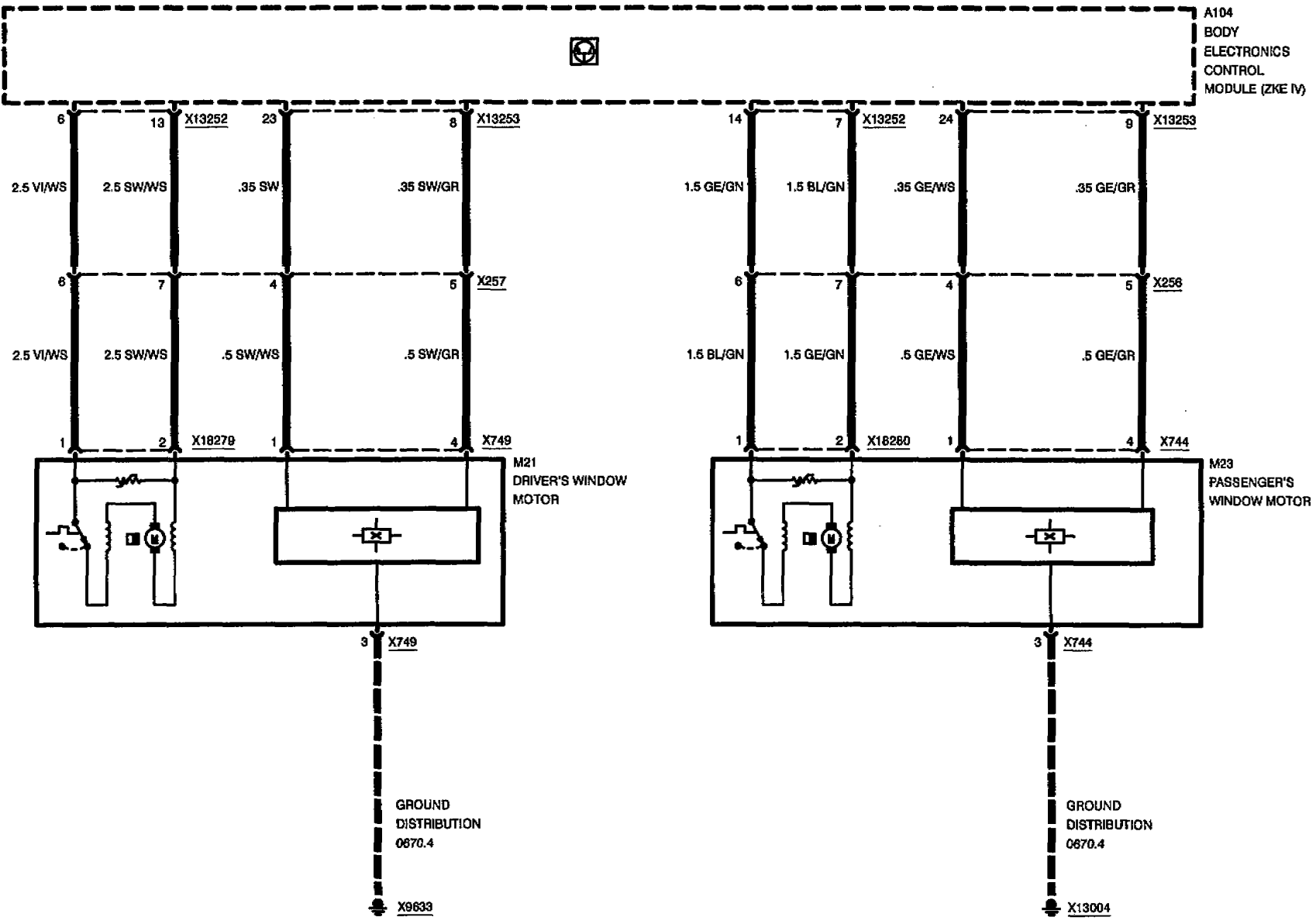
Z3

ZKE POWER WINDOWS (FH)

INPUT DETAILS



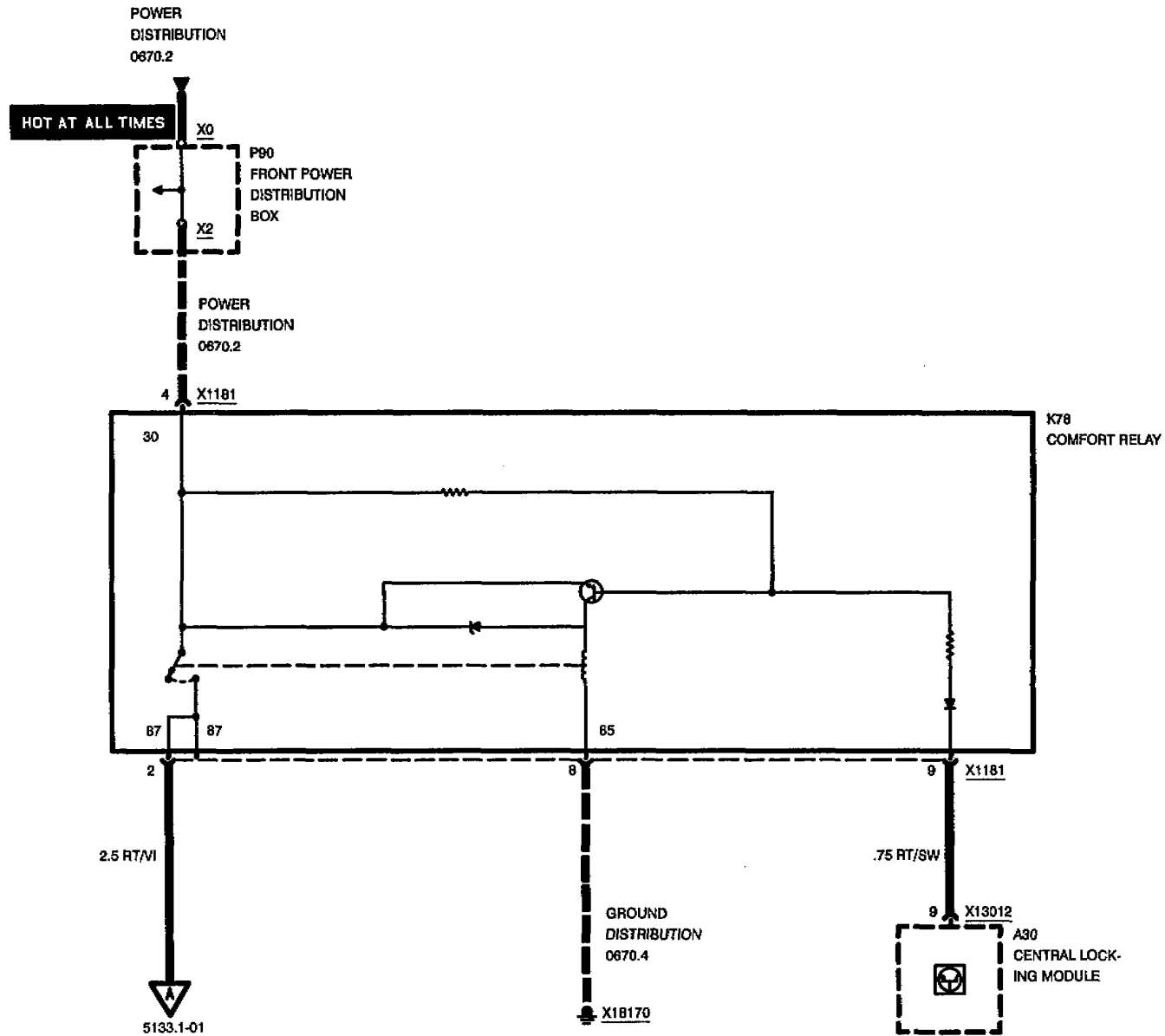
ZKE POWER WINDOWS (FH)
OUTPUT DETAILS



BMW
3

Z3

5133.1

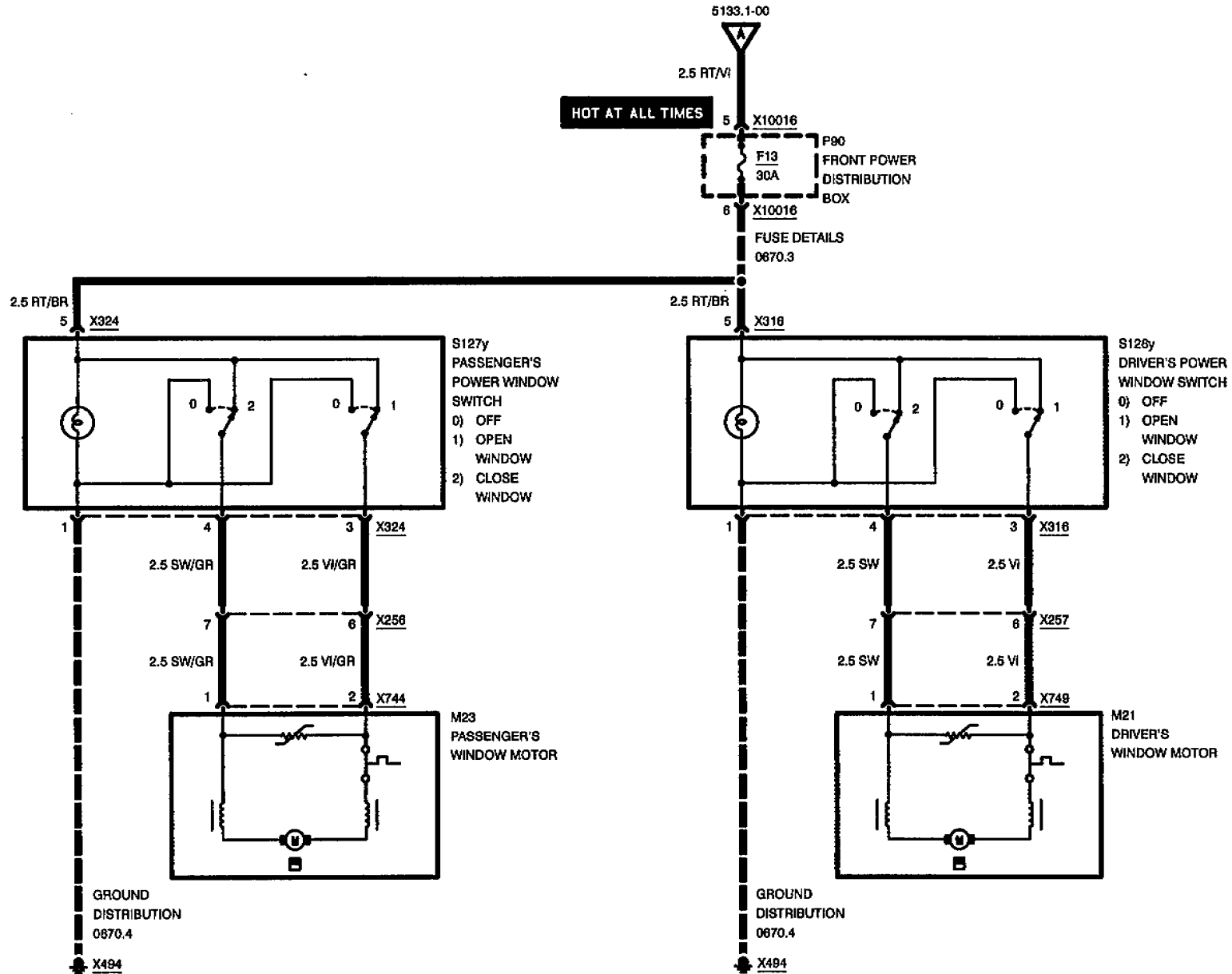




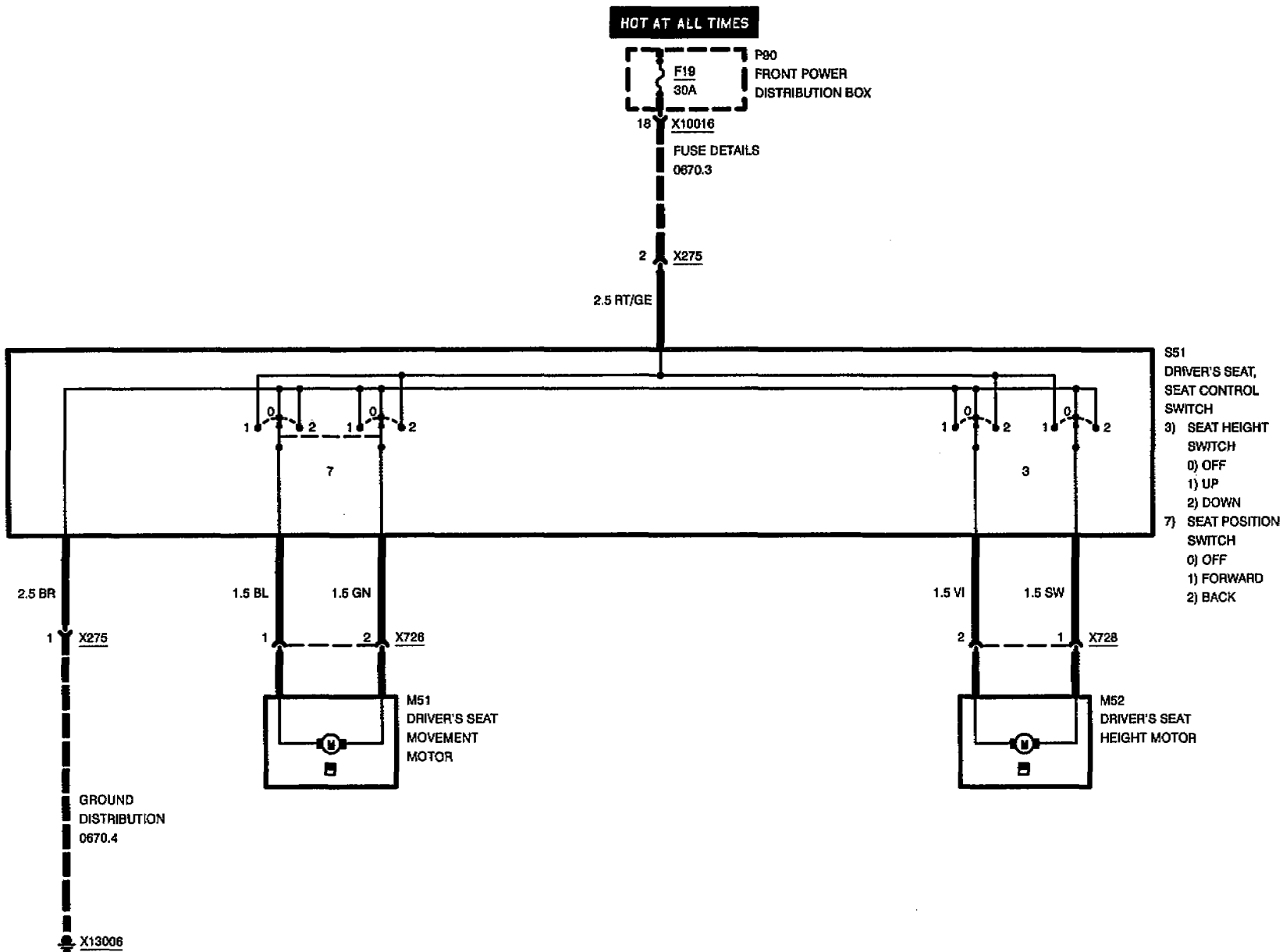
POWER WINDOWS (FH)

WITH ZVM

Z3



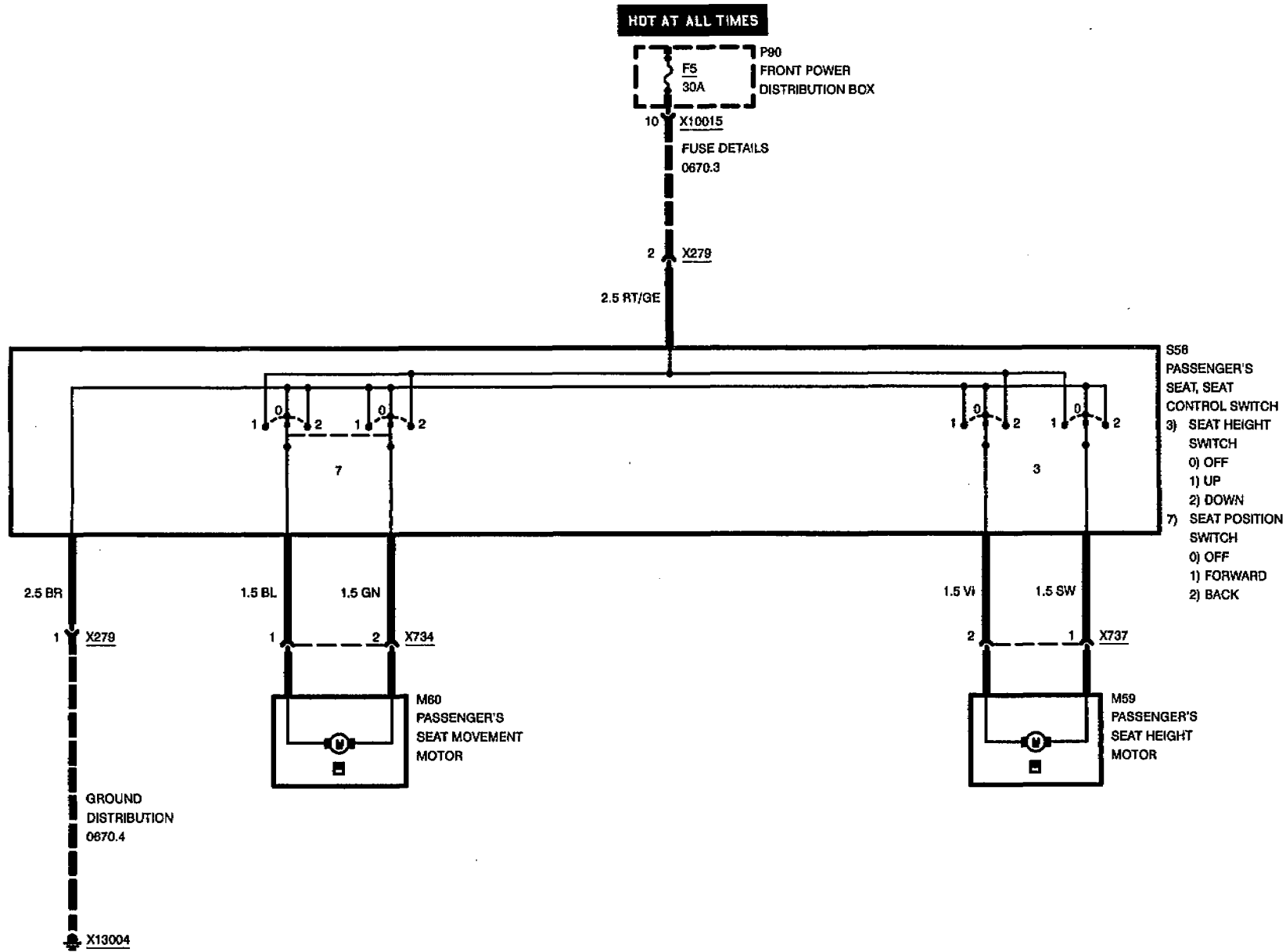
POWER SEATS
DRIVER'S SEAT





POWER SEATS

PASSENGER'S SEAT

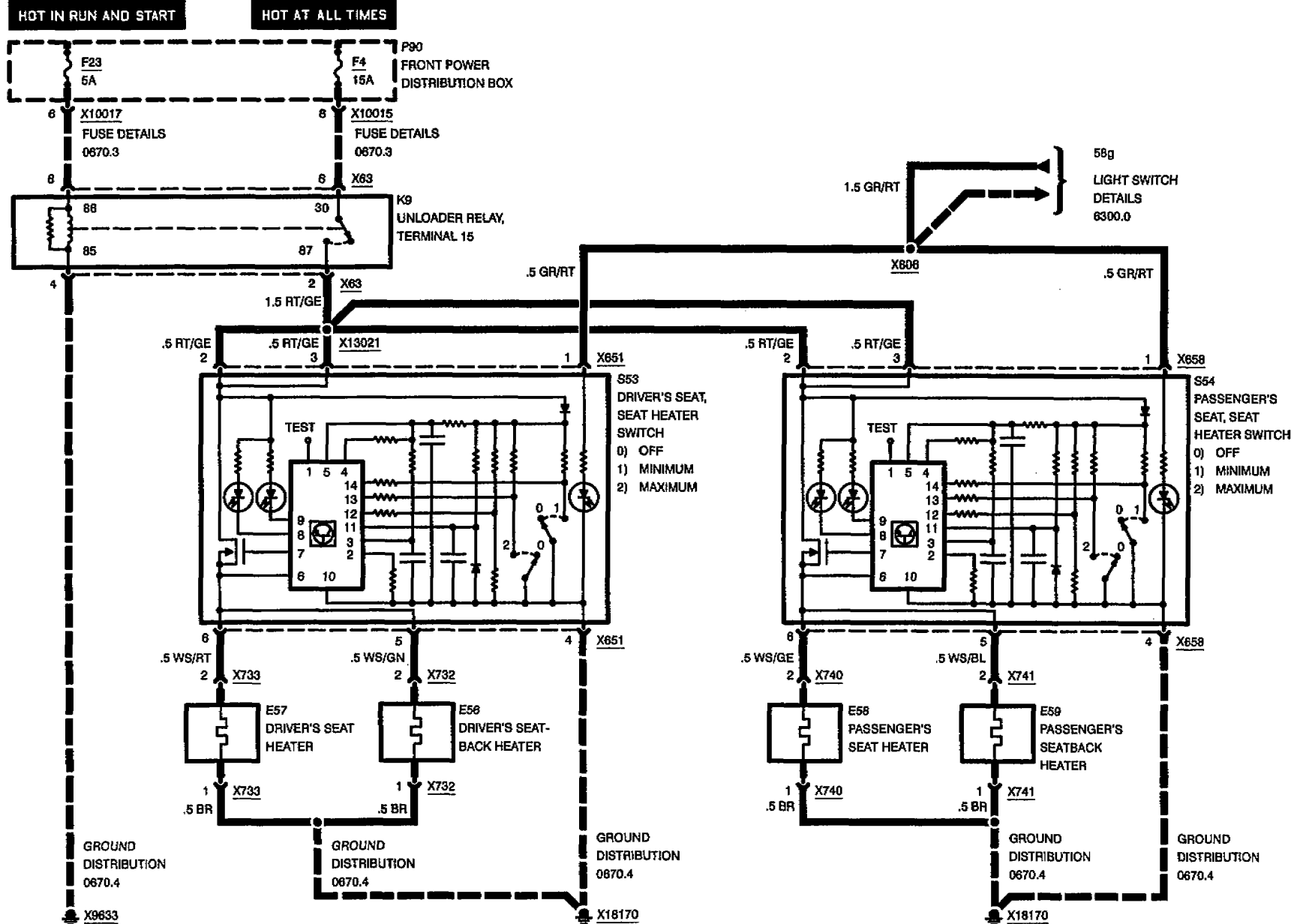


04/97

5200.0-01

1996

HEATED SEATS

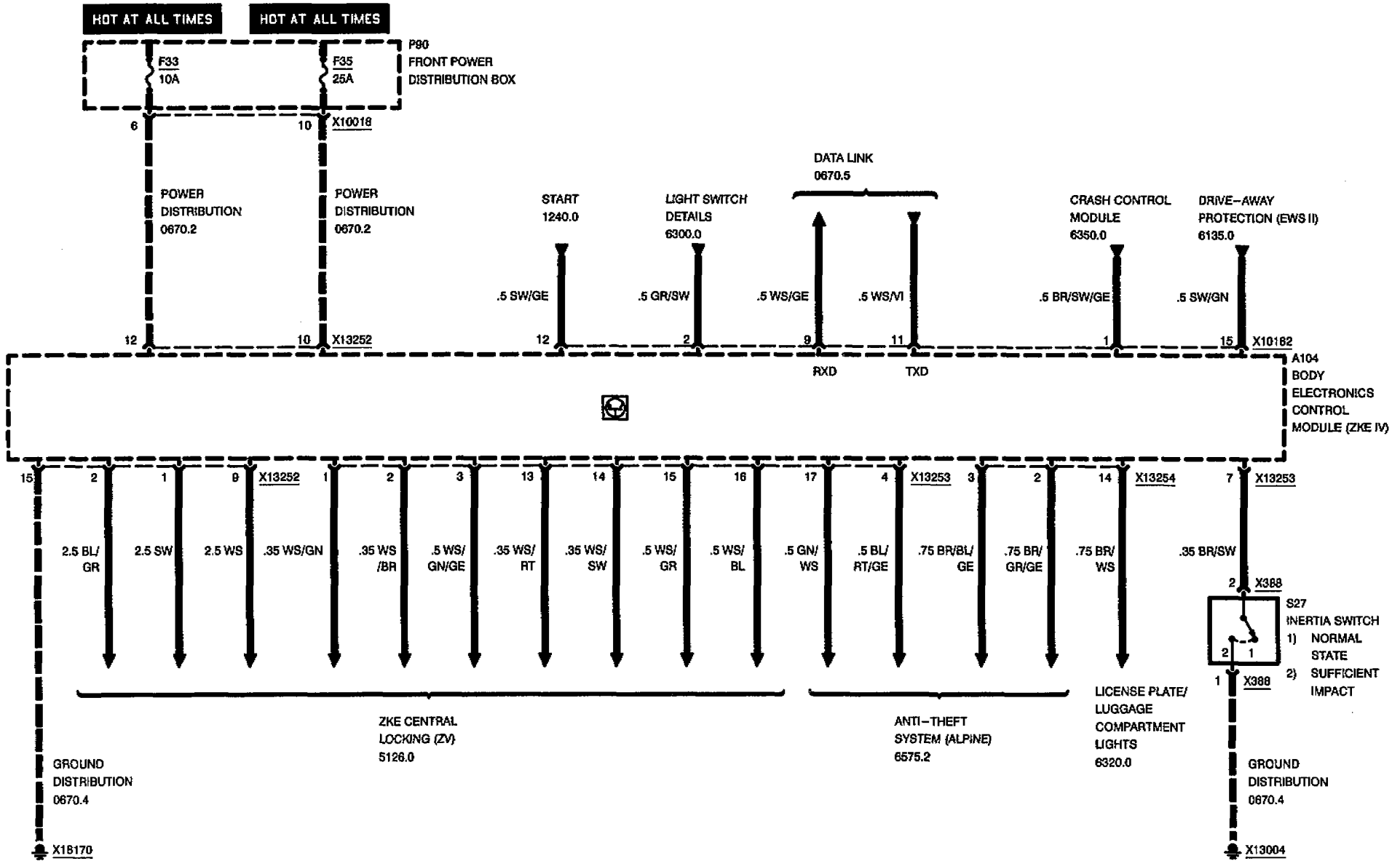


BMW
3

Z3

6100.0

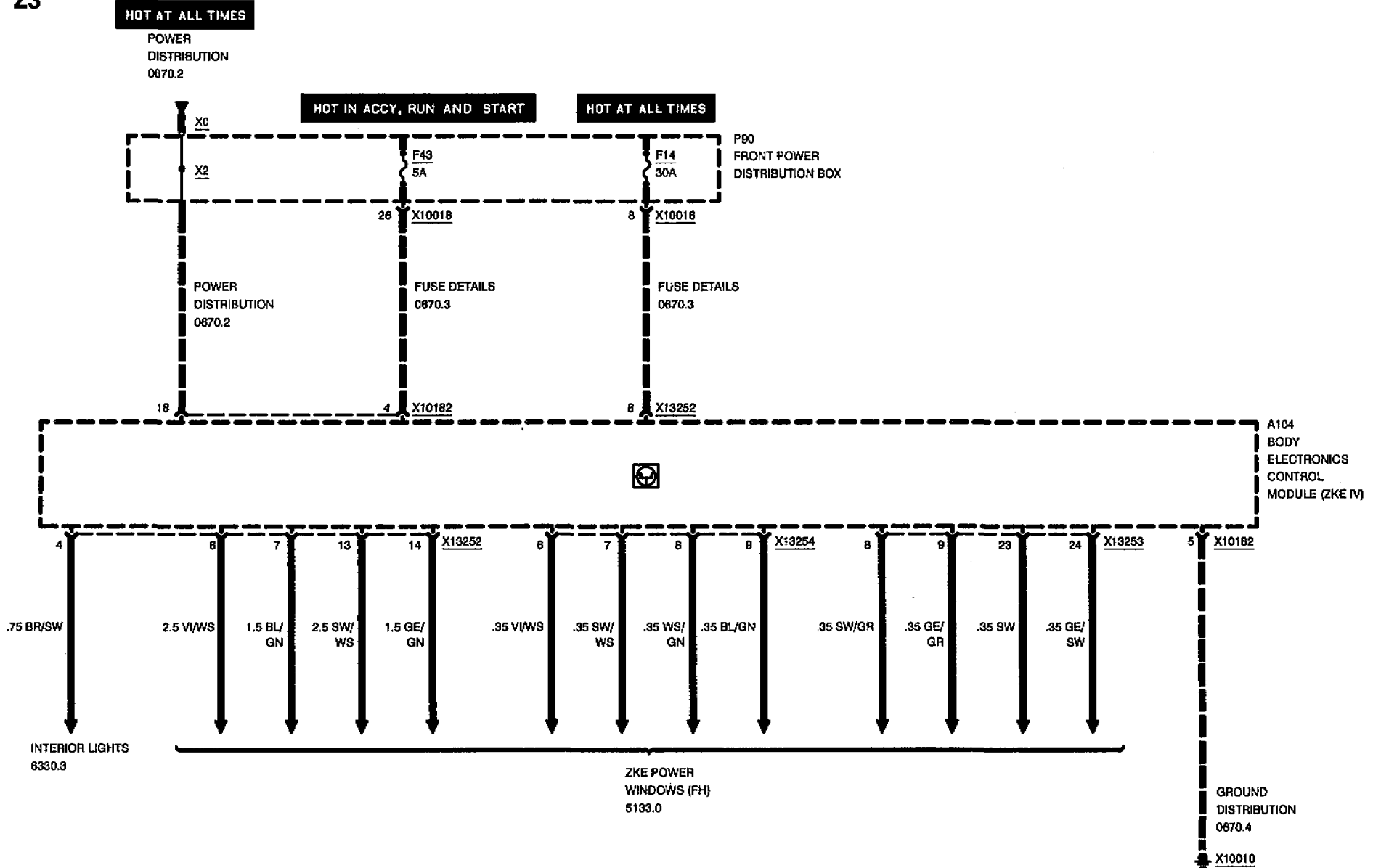
CENTRAL BODY ELECTRONICS (ZKE IV)





Z3

CENTRAL BODY ELECTRONICS (ZKE IV)

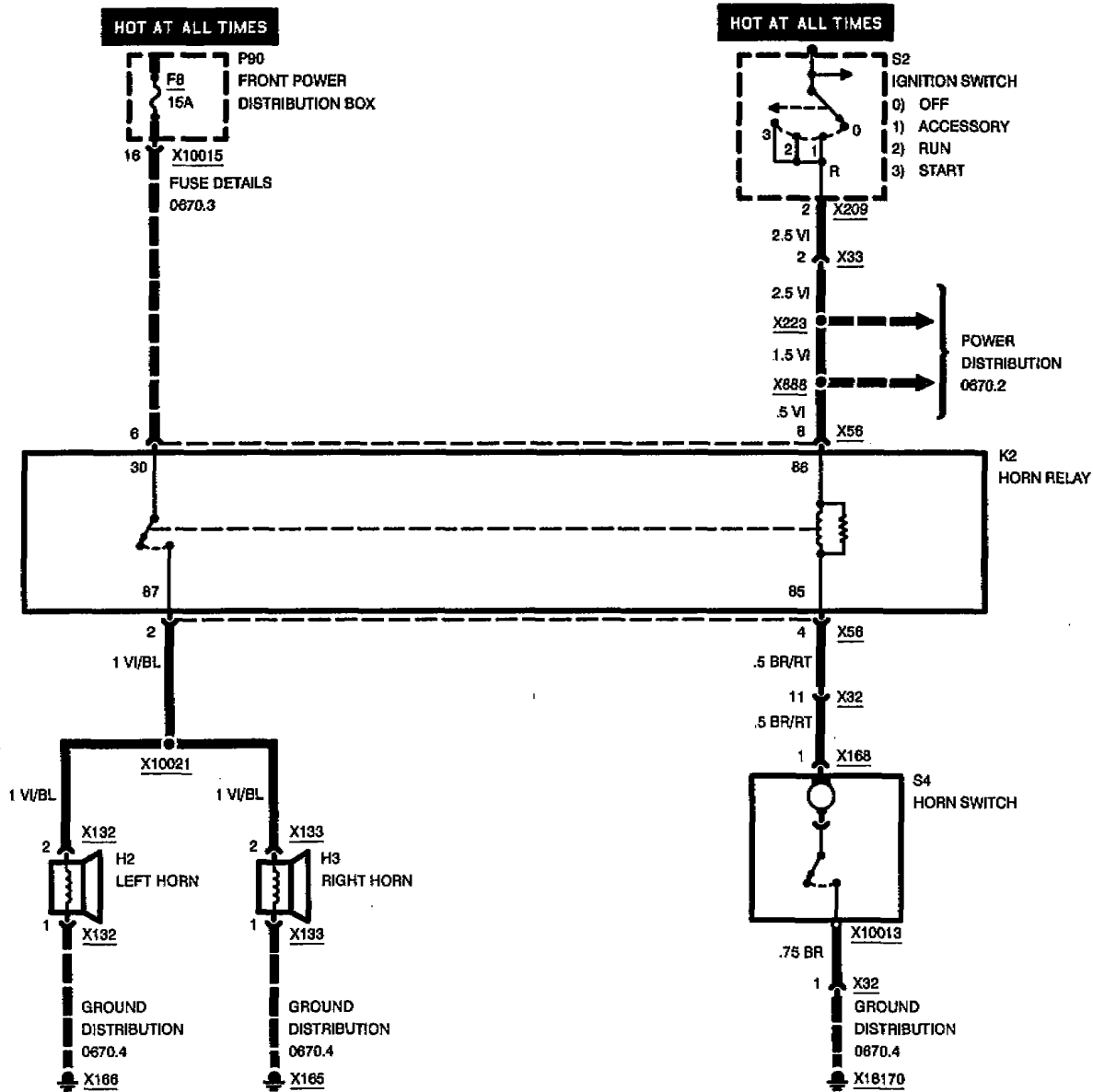


04/97

6100.0-01

1996

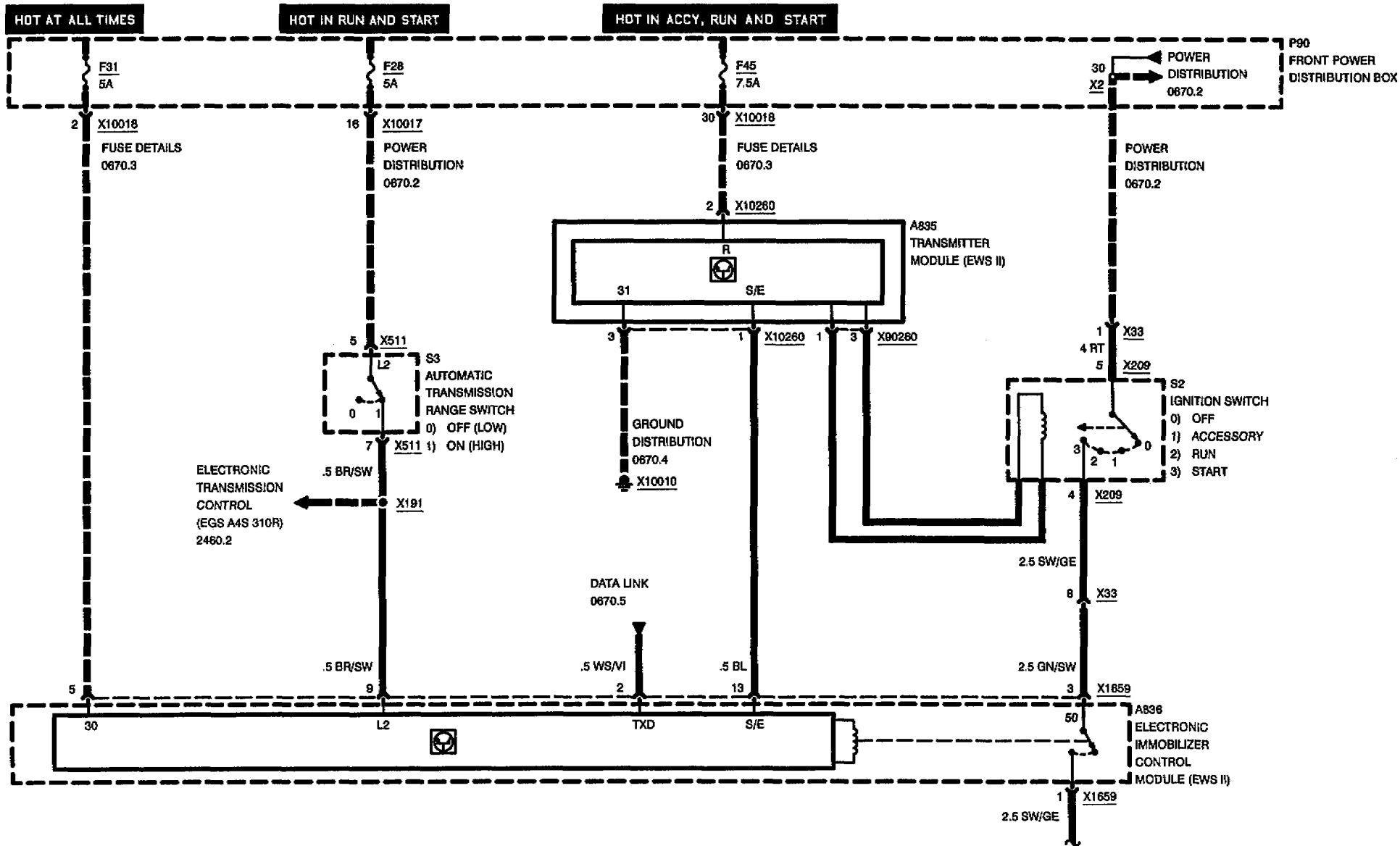
HORN

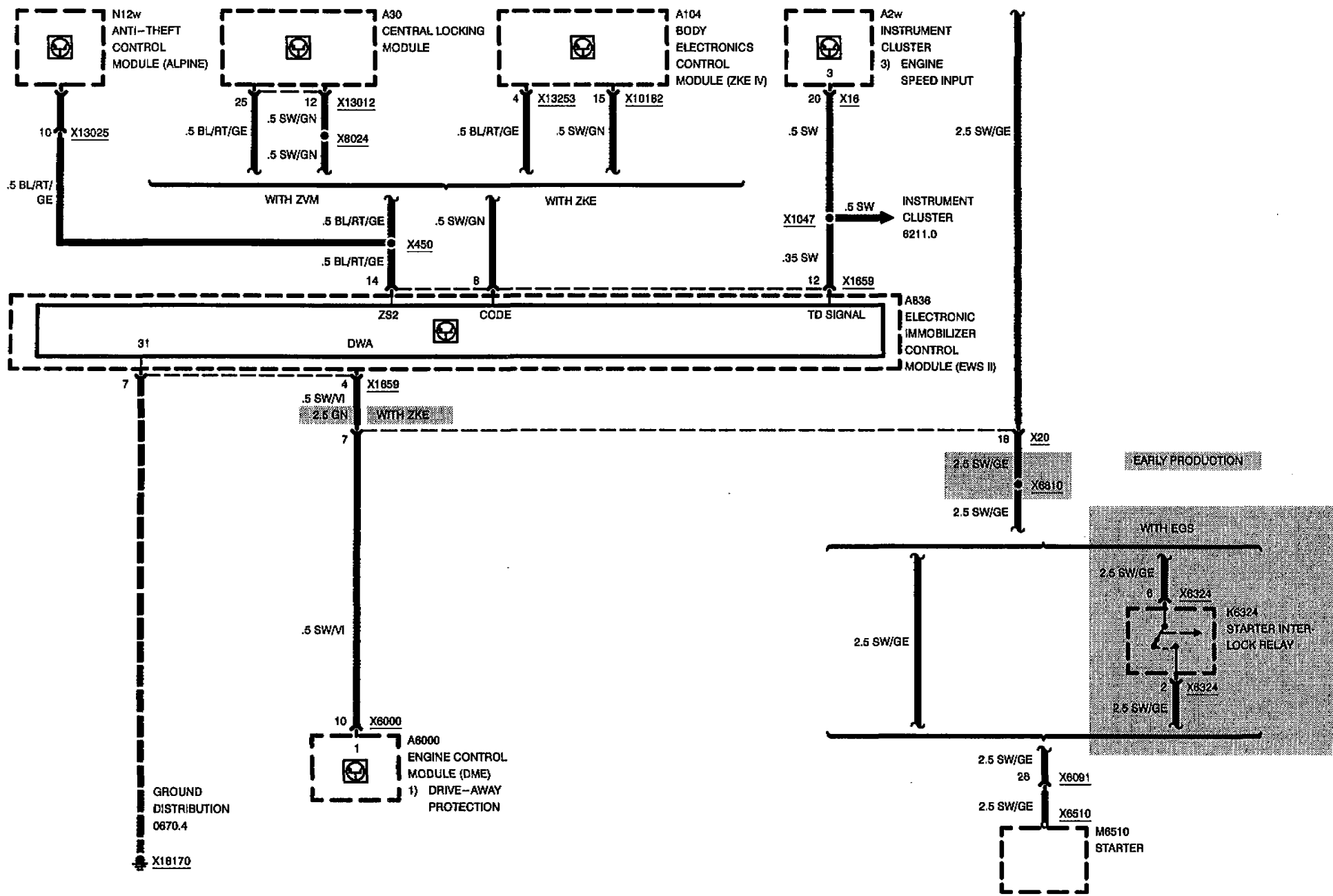


BMW
3
Z3

6135.0

DRIVE-AWAY PROTECTION (EWS II)



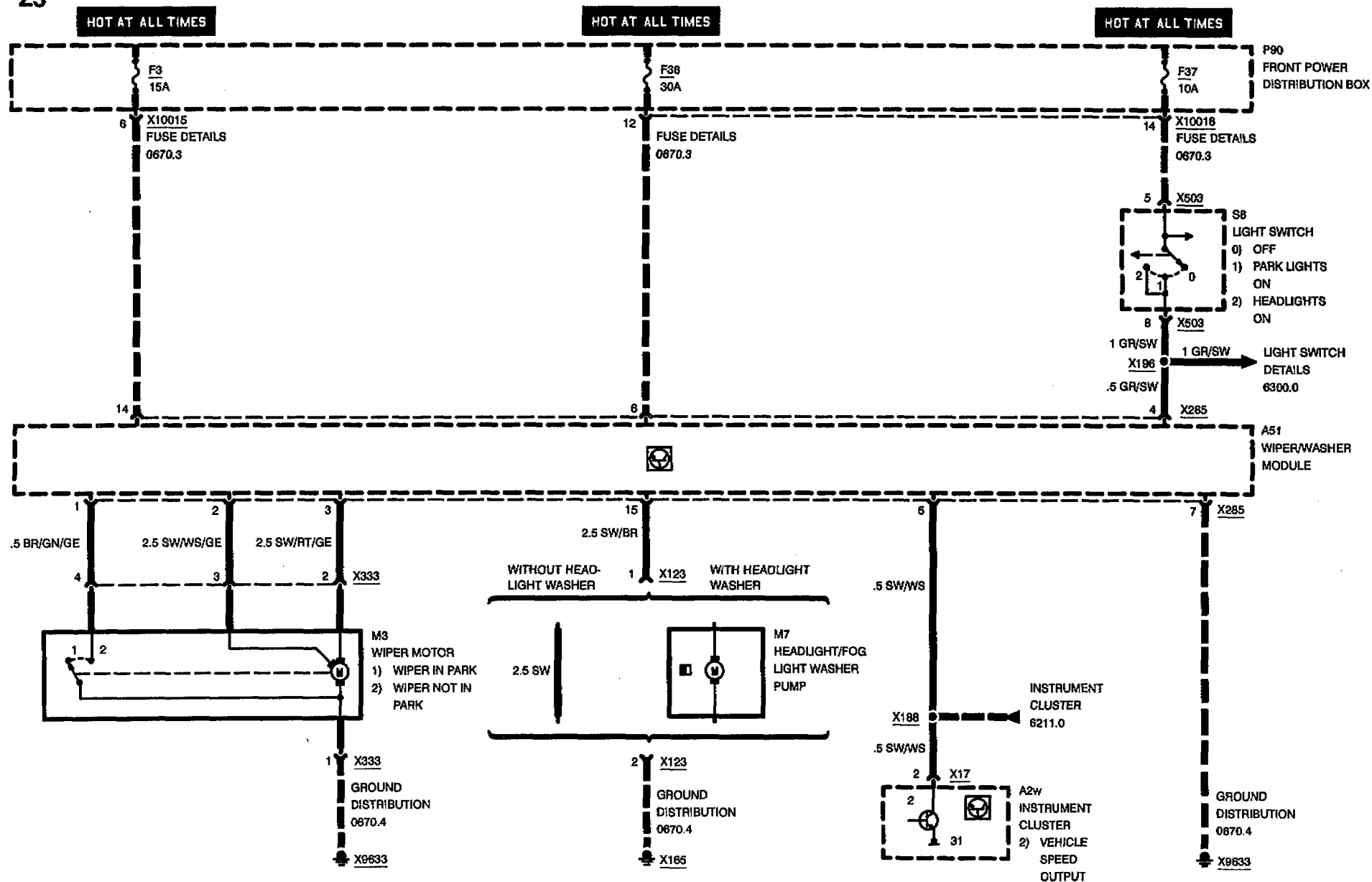




WIPER/WASHER MODULE (WWM)

WIPER - HIGH

Z3



04/97

6160.1-00

1996

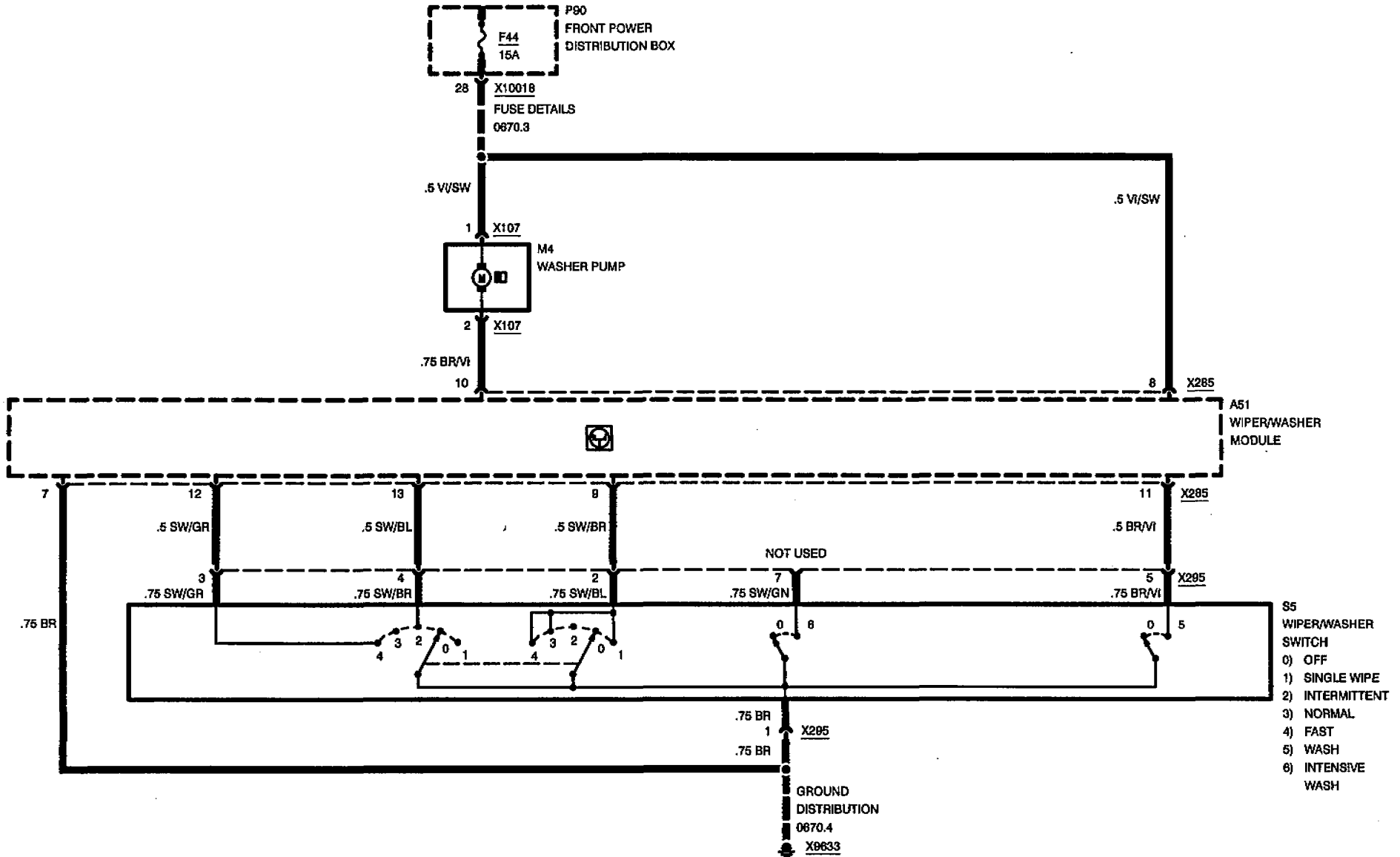


WIPER/WASHER MODULE (WWM)

WASHER - HIGH

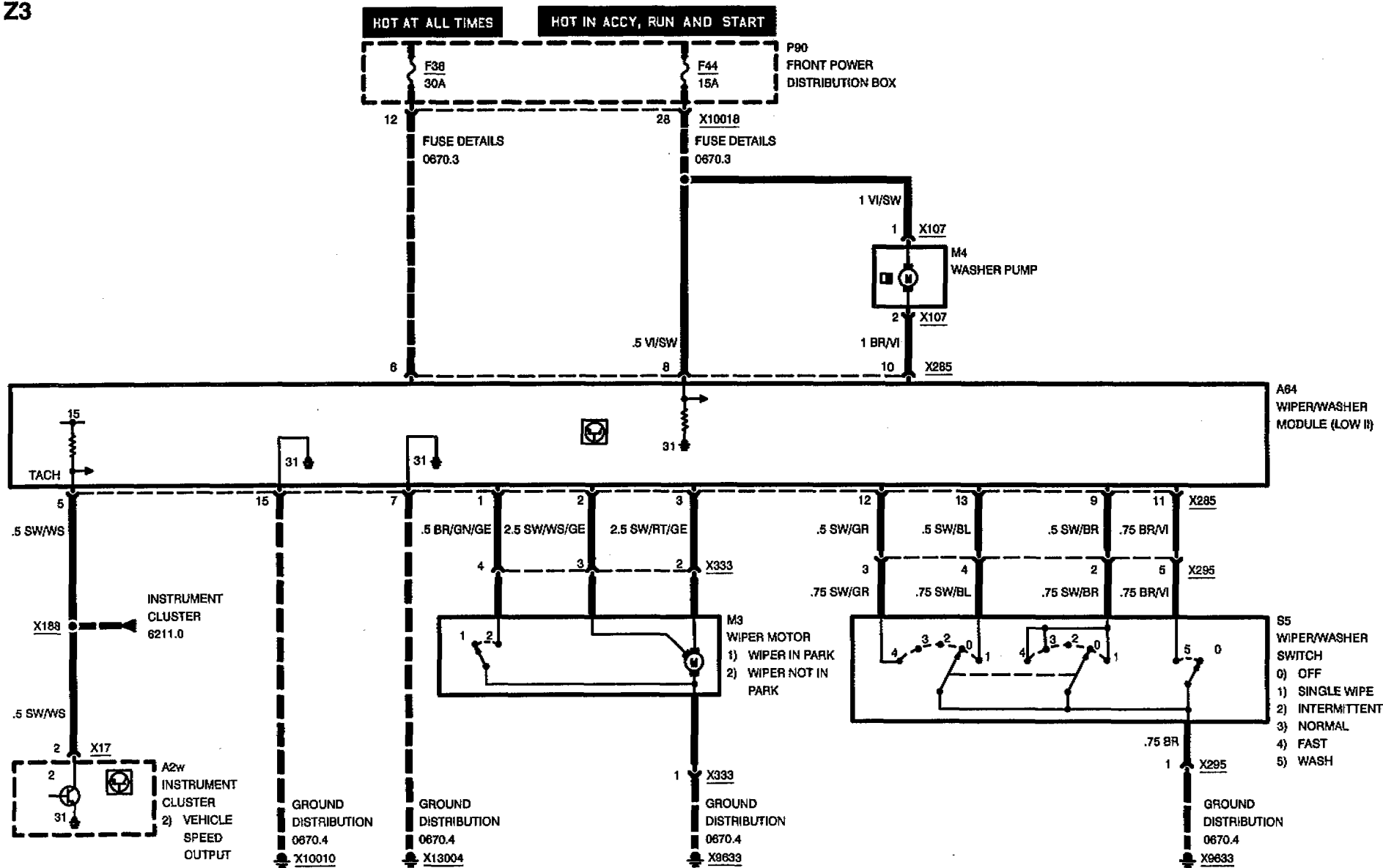
Z3

HOT IN ACCY, RUN AND START



WIPER/WASHER MODULE (WWM)

WASHER - LOW



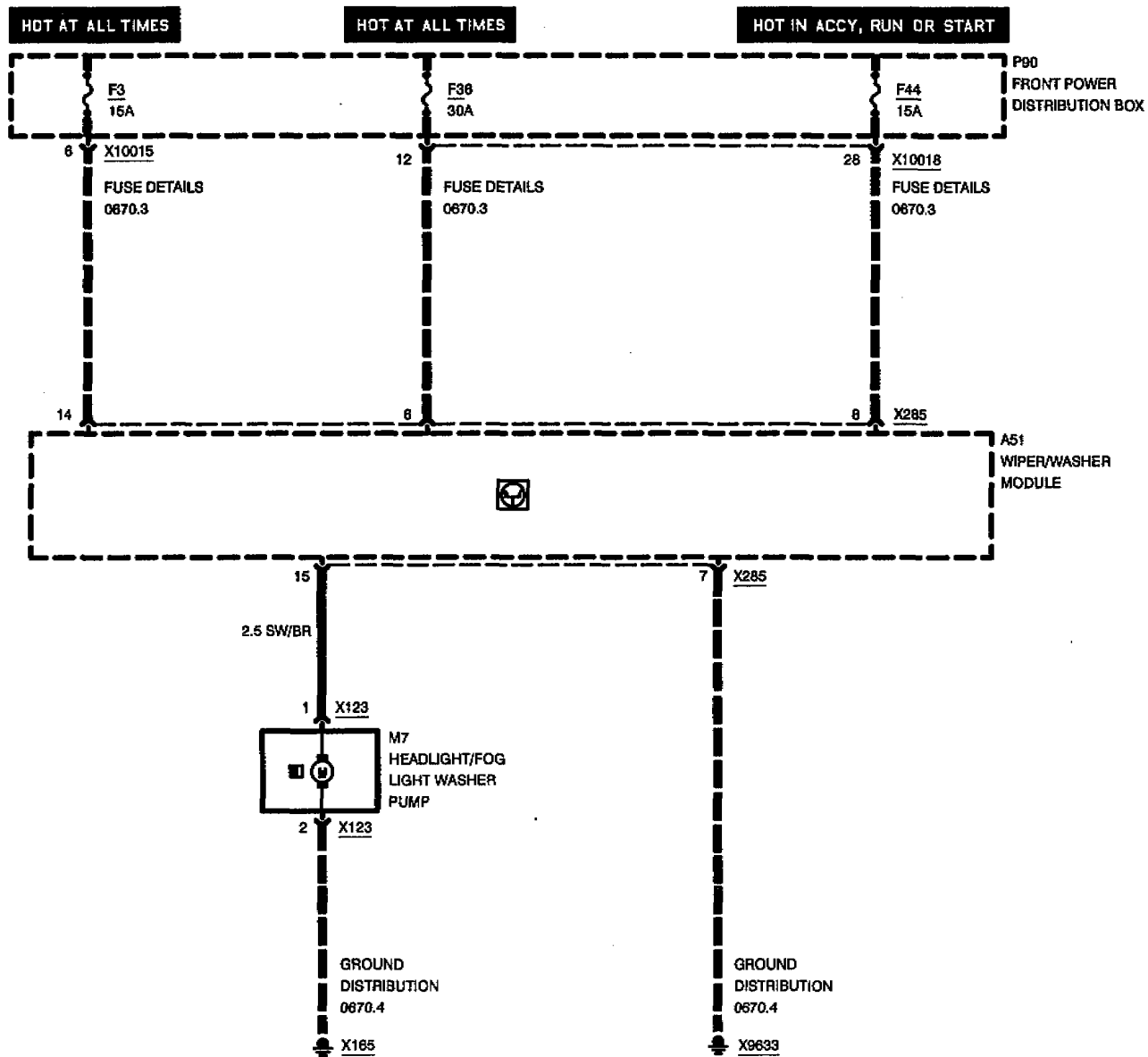


Z3

6167.1



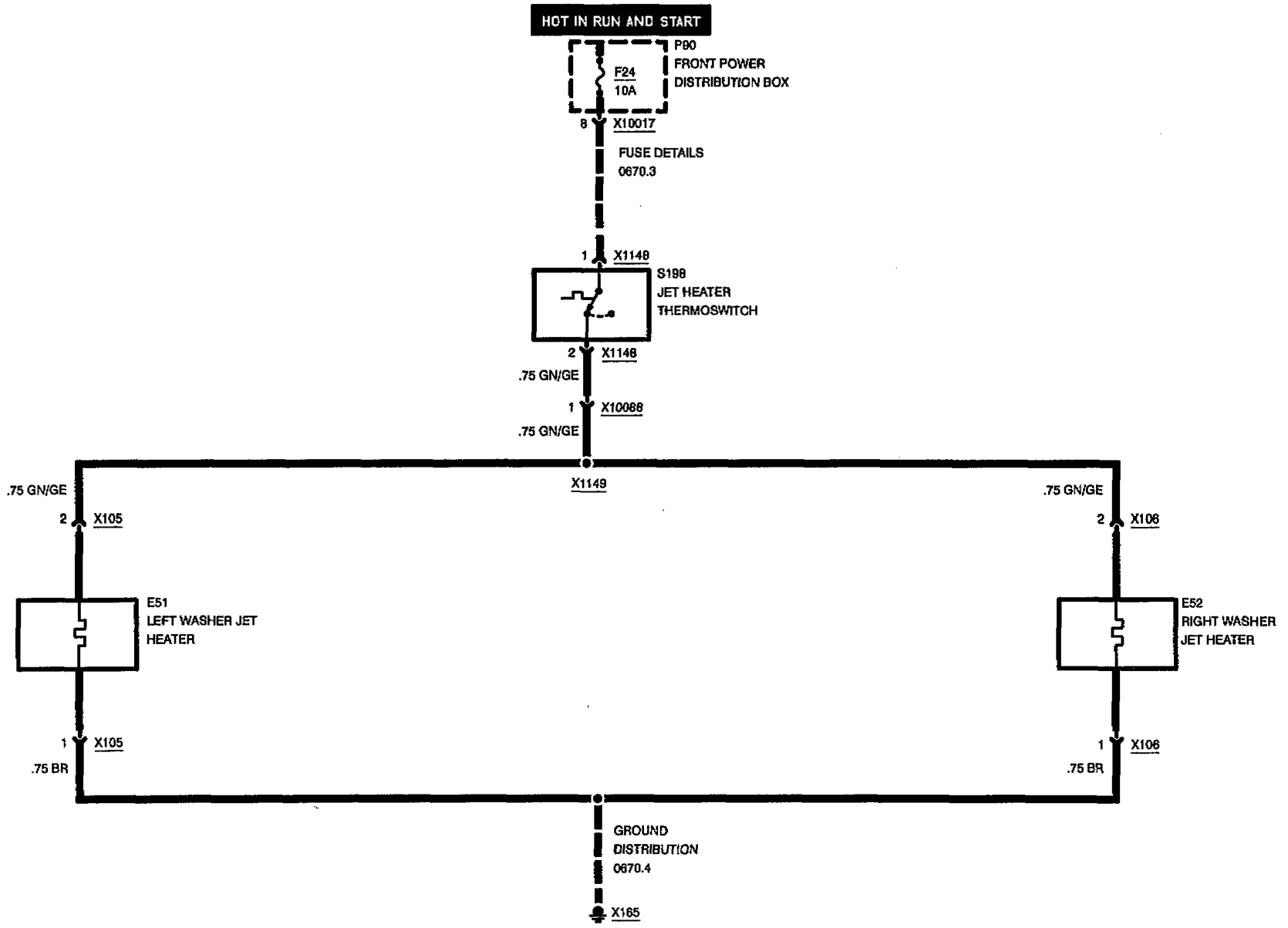
HEADLIGHT WASHER (SRA)



BMW
3
Z3

6169.0

WINDSHIELD WASHER JET HEATERS

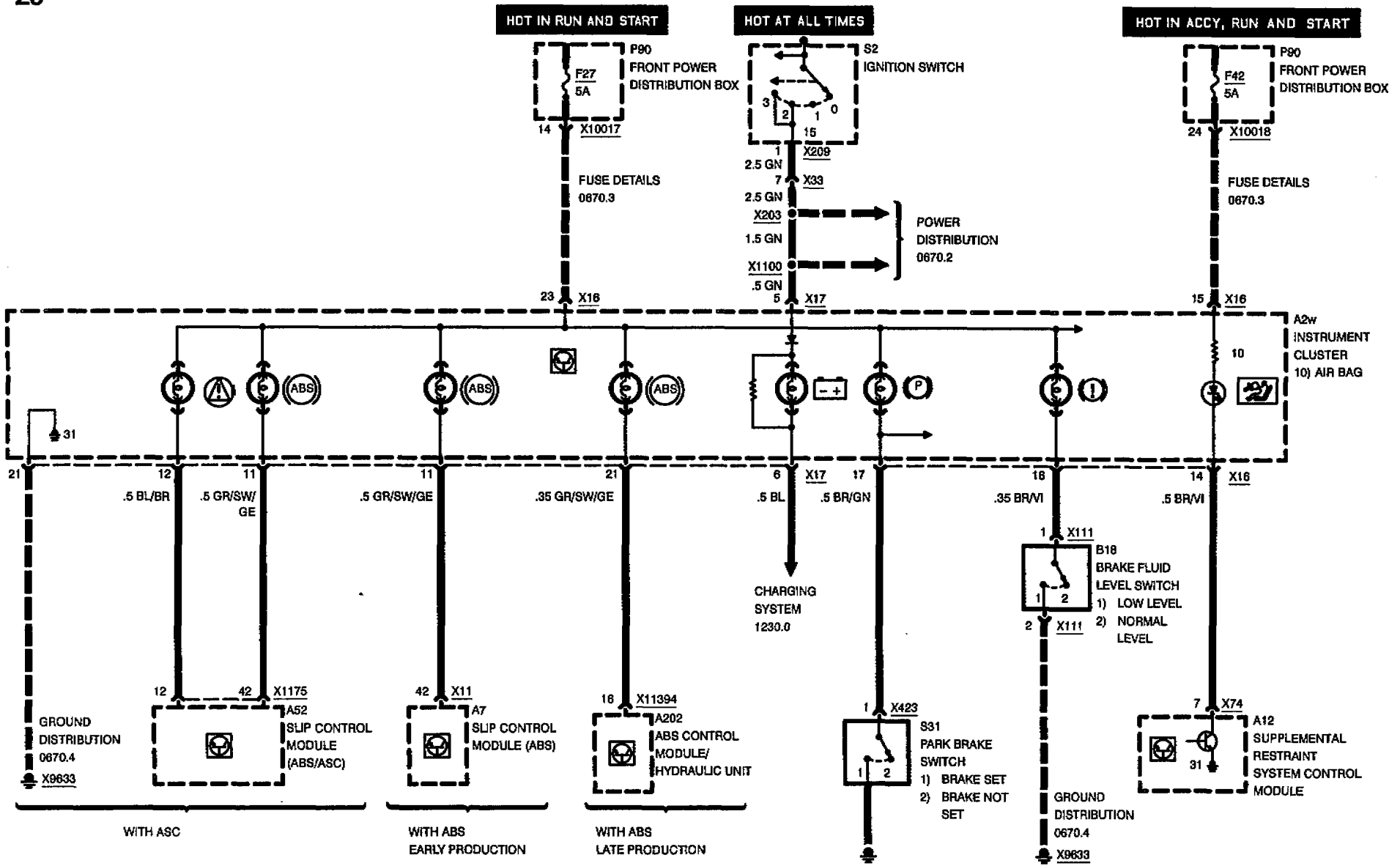




Z3

6211.0

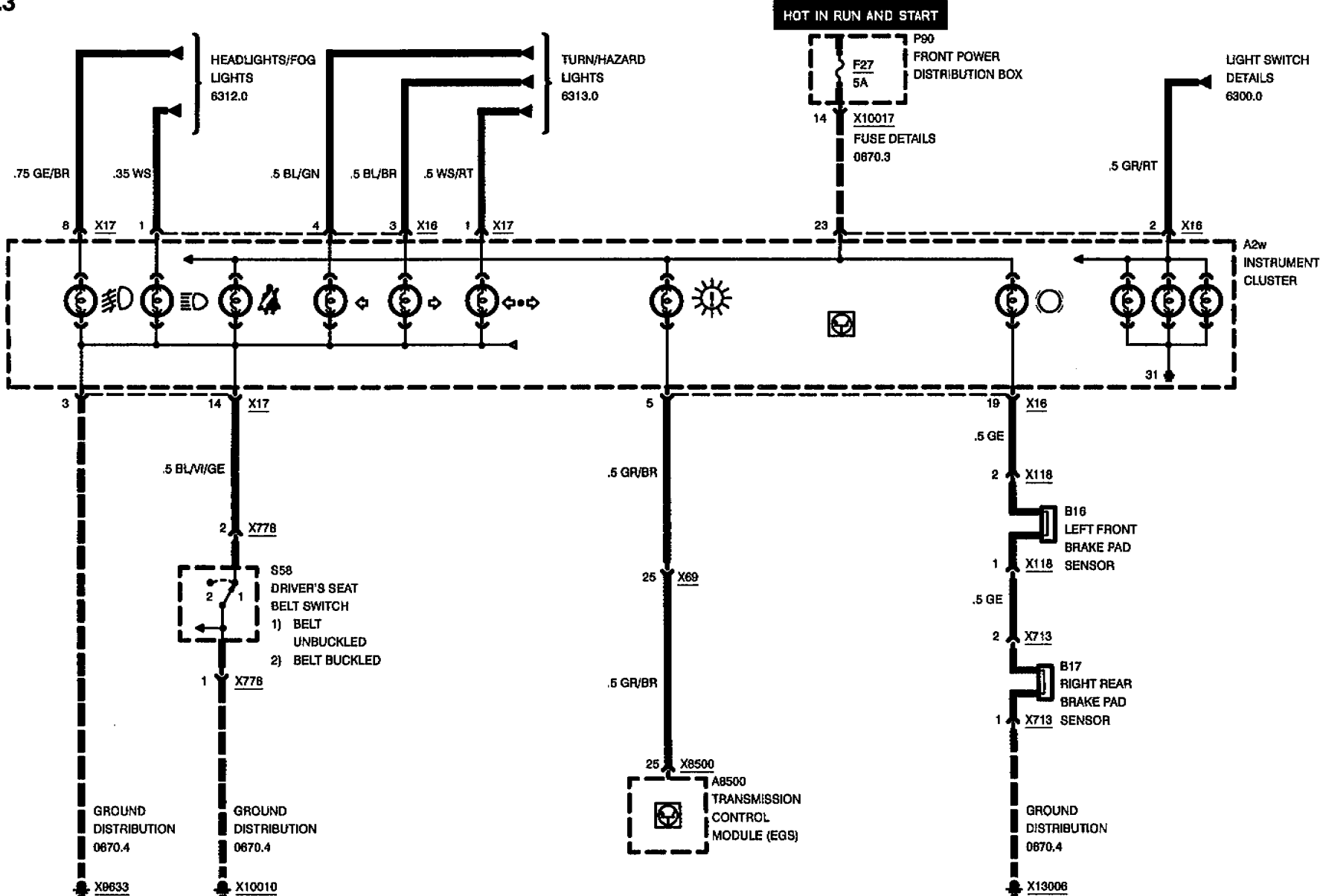
INSTRUMENT CLUSTER INDICATORS





INSTRUMENT CLUSTER INDICATORS

Z3

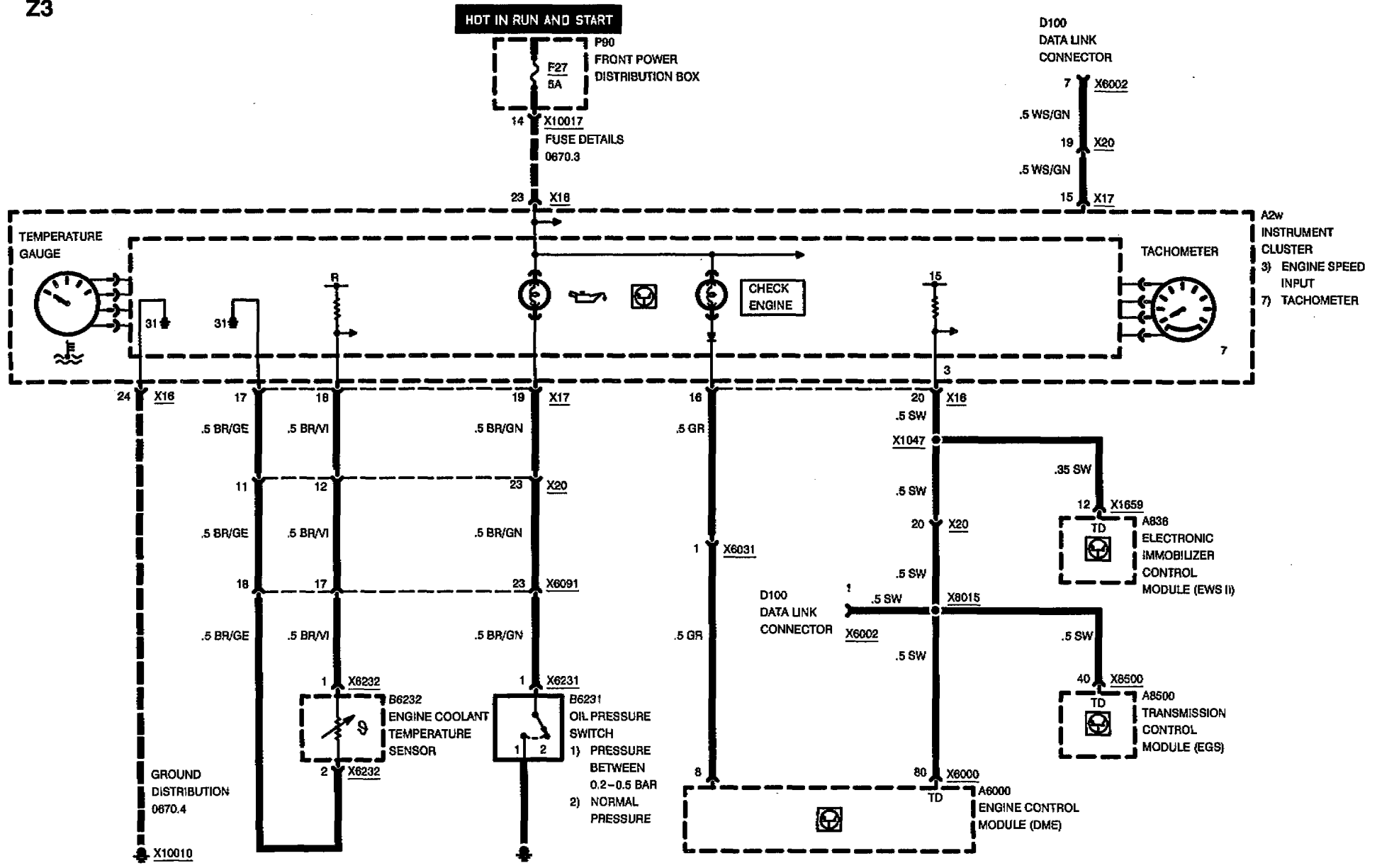


04/97

6211.0-01

1996

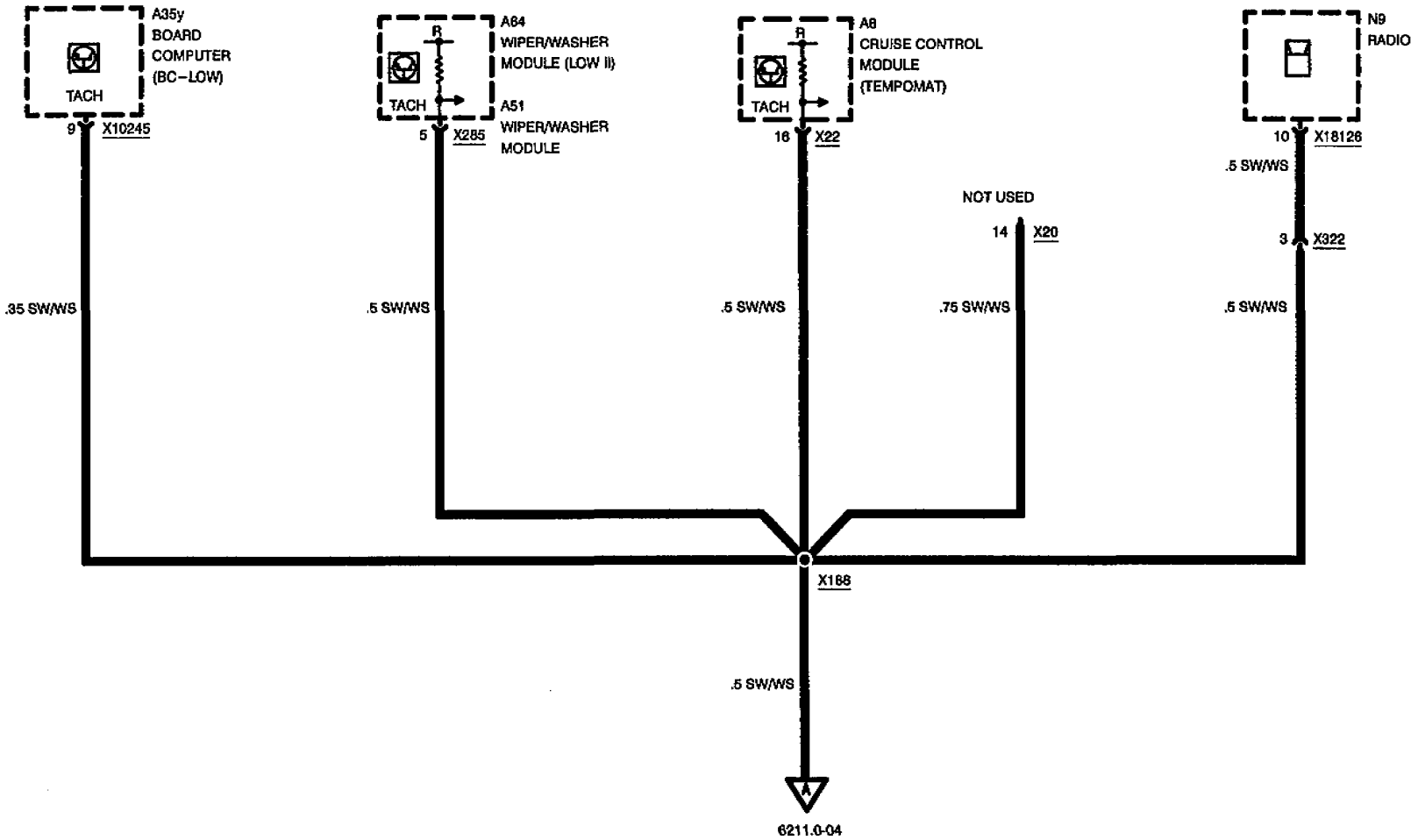
INSTRUMENT CLUSTER
INDICATORS





INSTRUMENT CLUSTER

SIGNAL-OUTPUT SPEEDOMETER

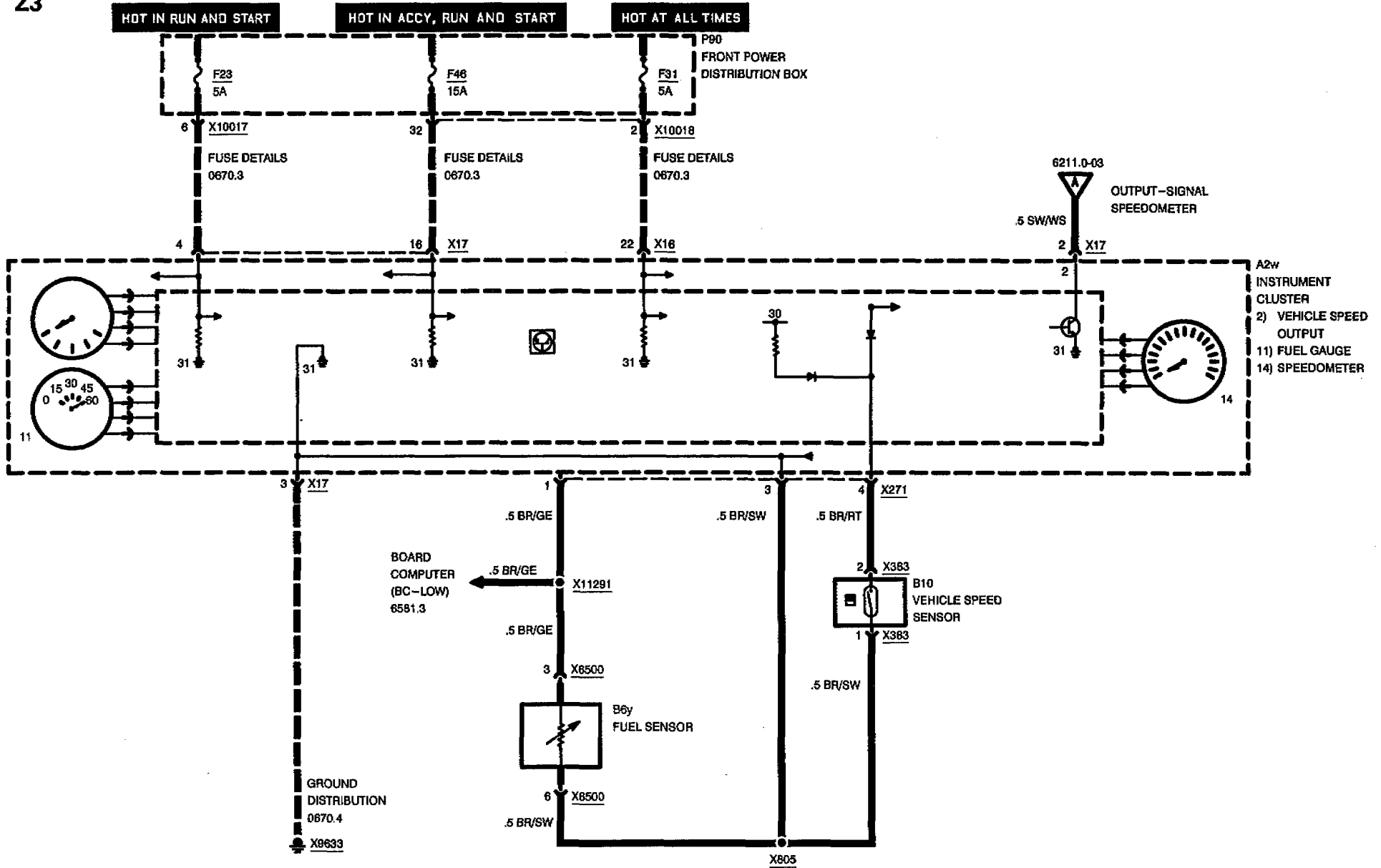




INSTRUMENT CLUSTER

INDICATORS

Z3

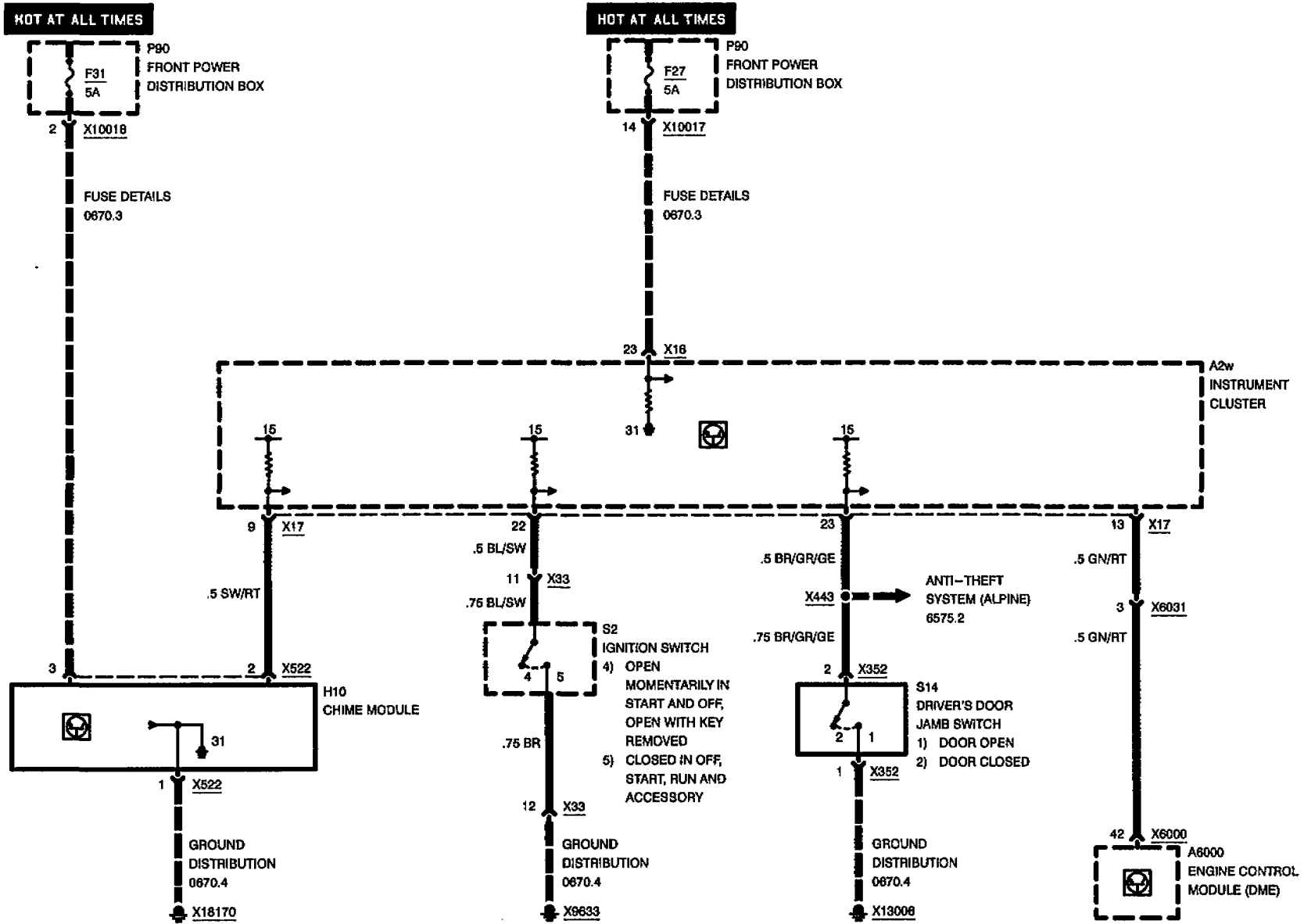


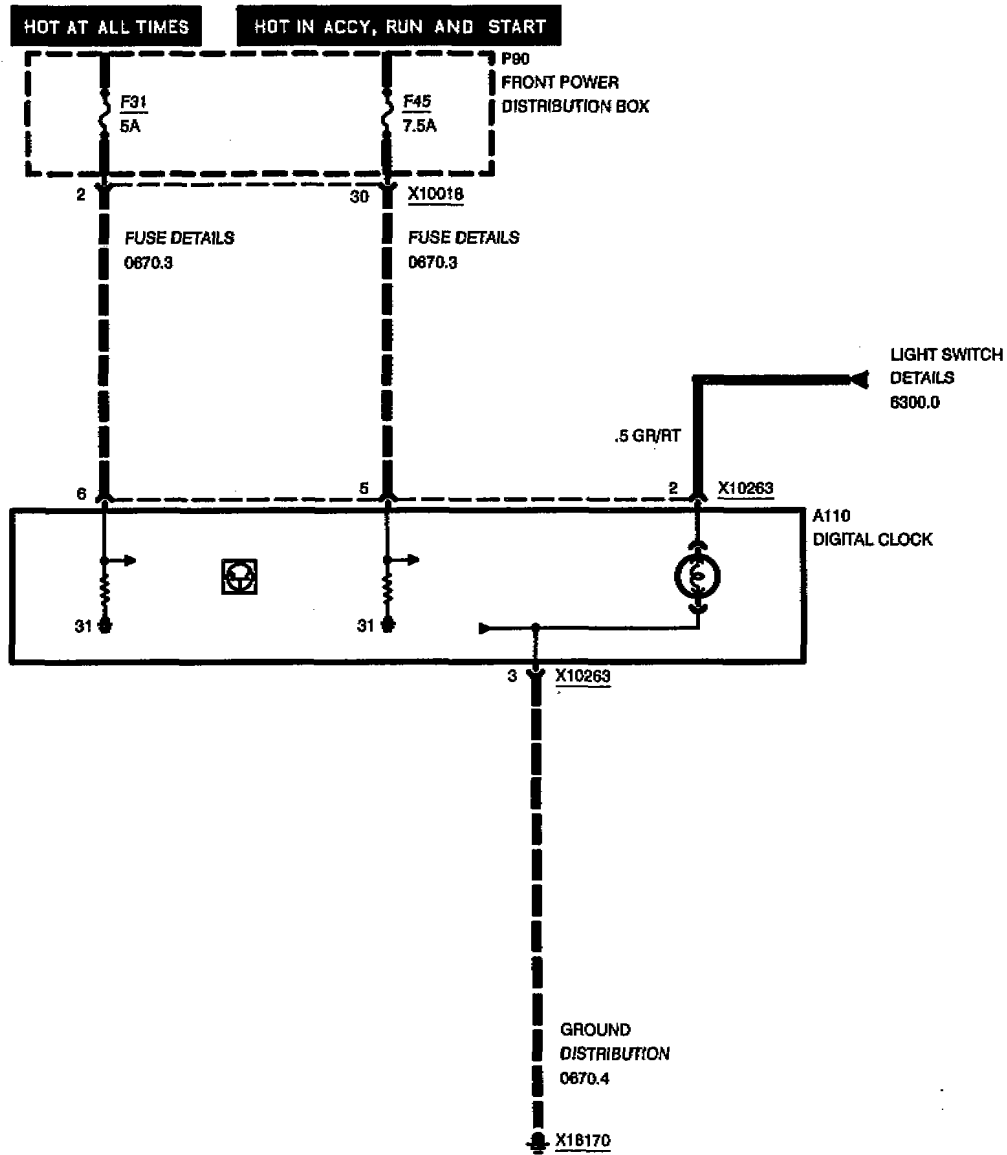
04/97

6211.0-04

1996

INSTRUMENT CLUSTER





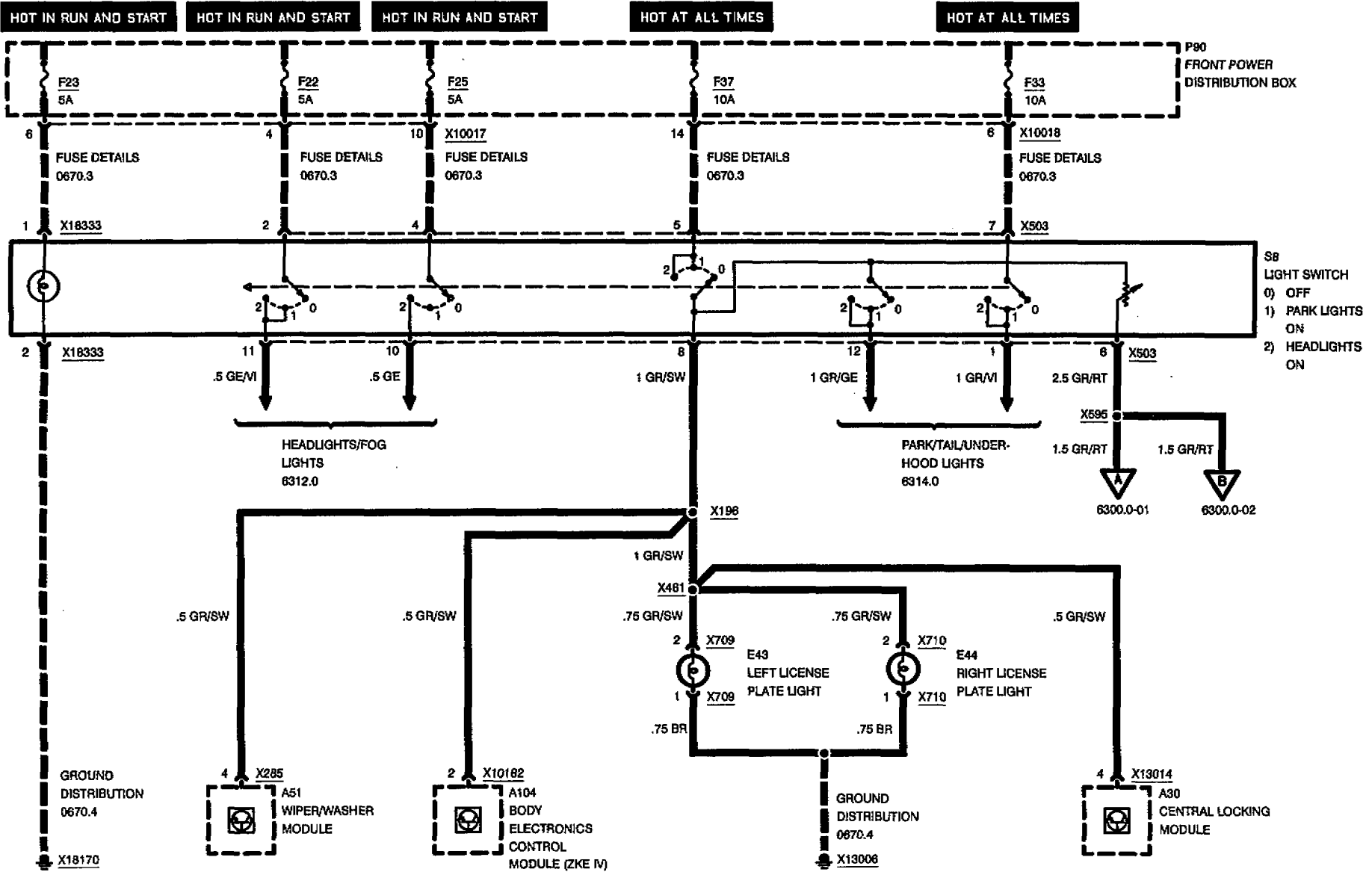
BMW
3

Z3

6300.0

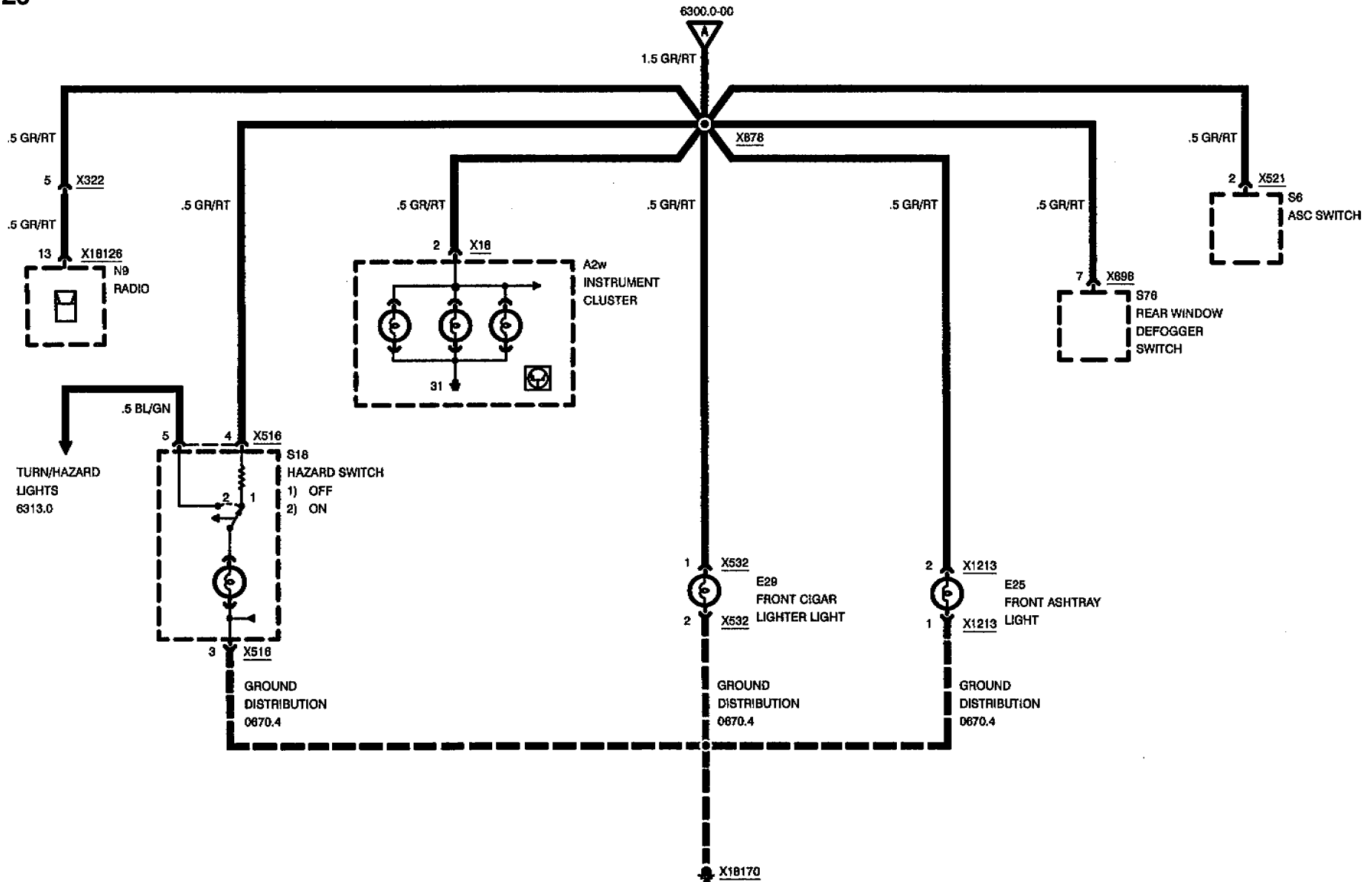
LIGHT SWITCH DETAILS

Z3





LIGHT SWITCH DETAILS



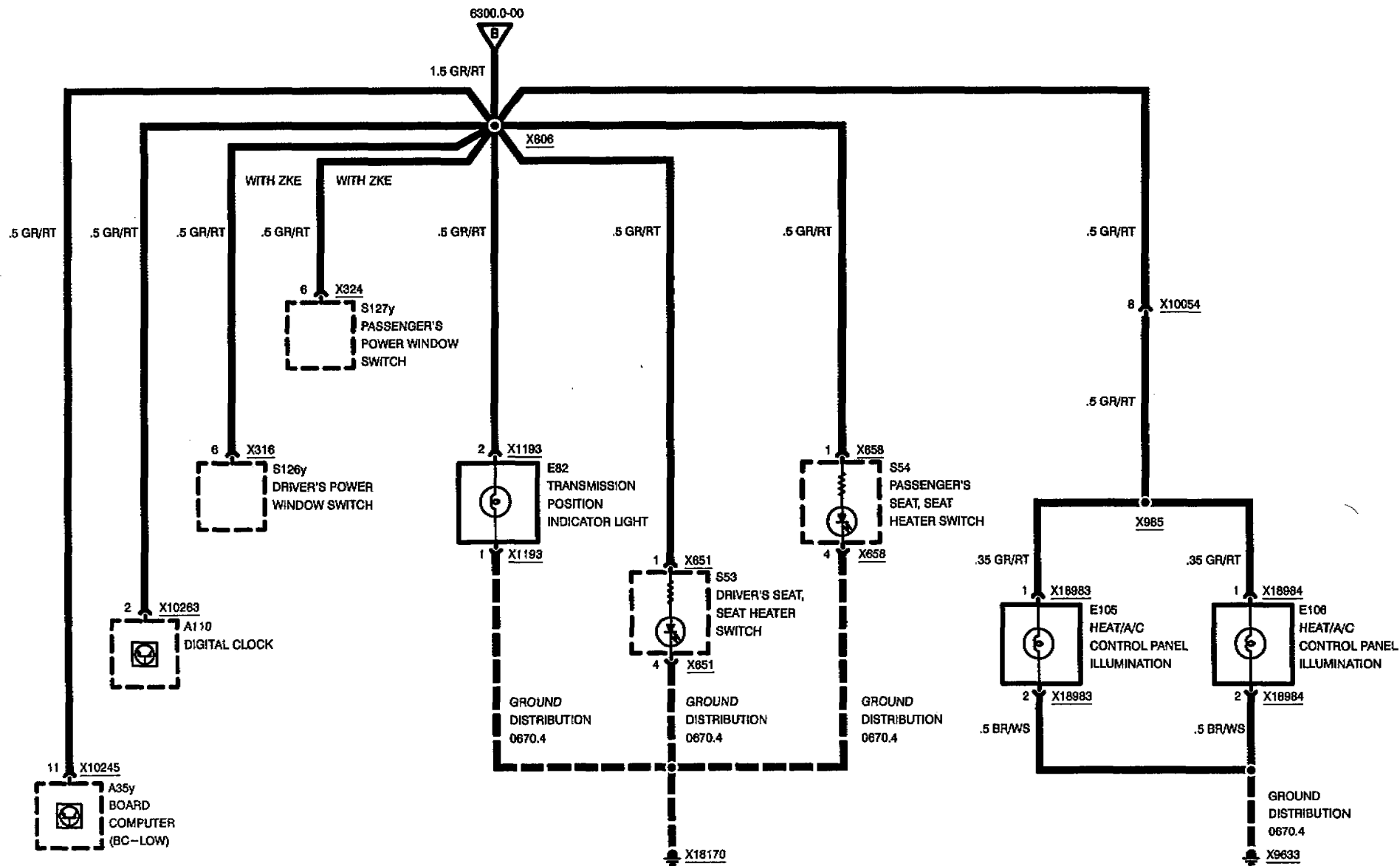
04/97

6300.0-01

1996



LIGHT SWITCH DETAILS



04/97

6300.0-02

1996

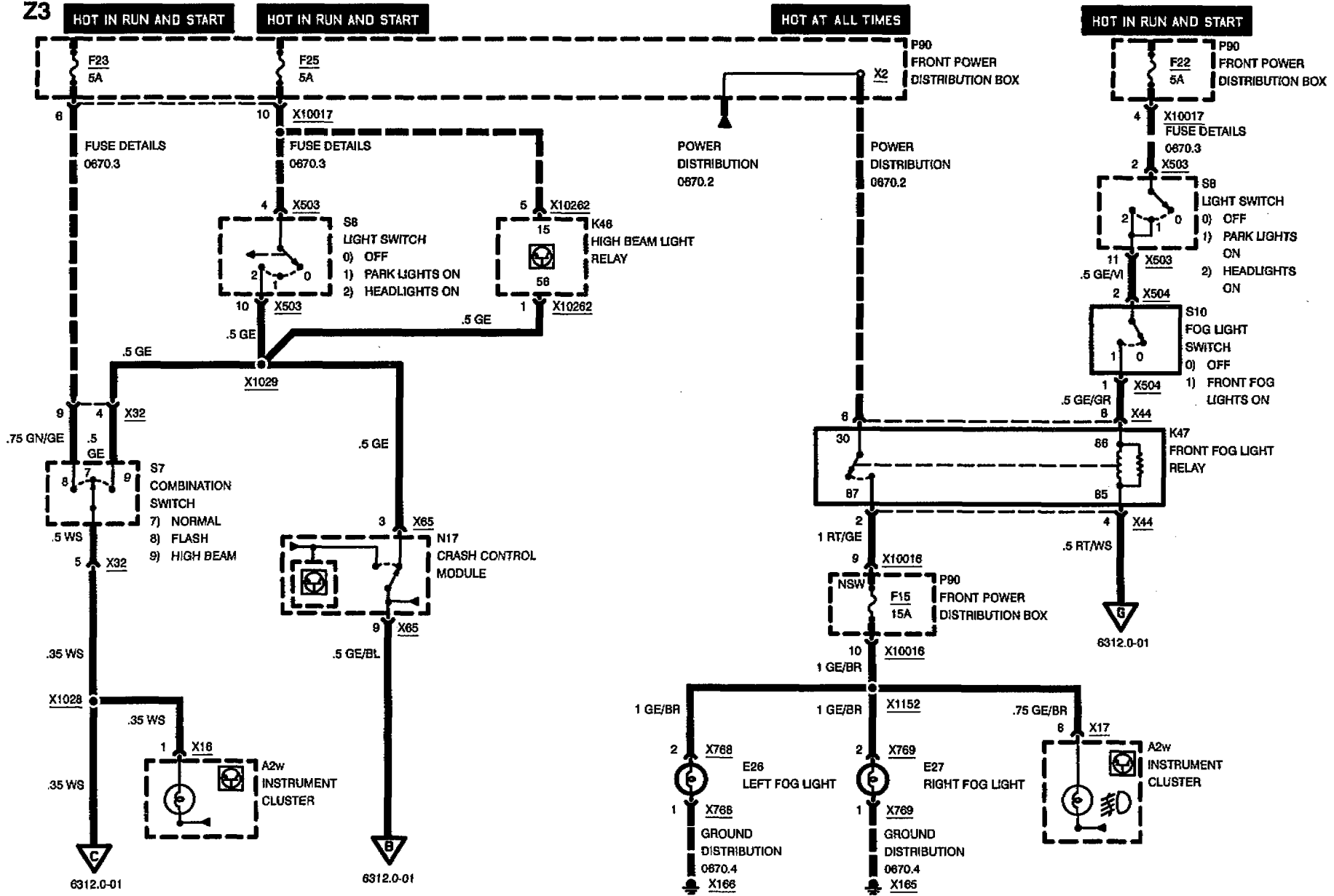
BMW
3

Z3

63-12.0

HEADLIGHTS/FOG LIGHTS

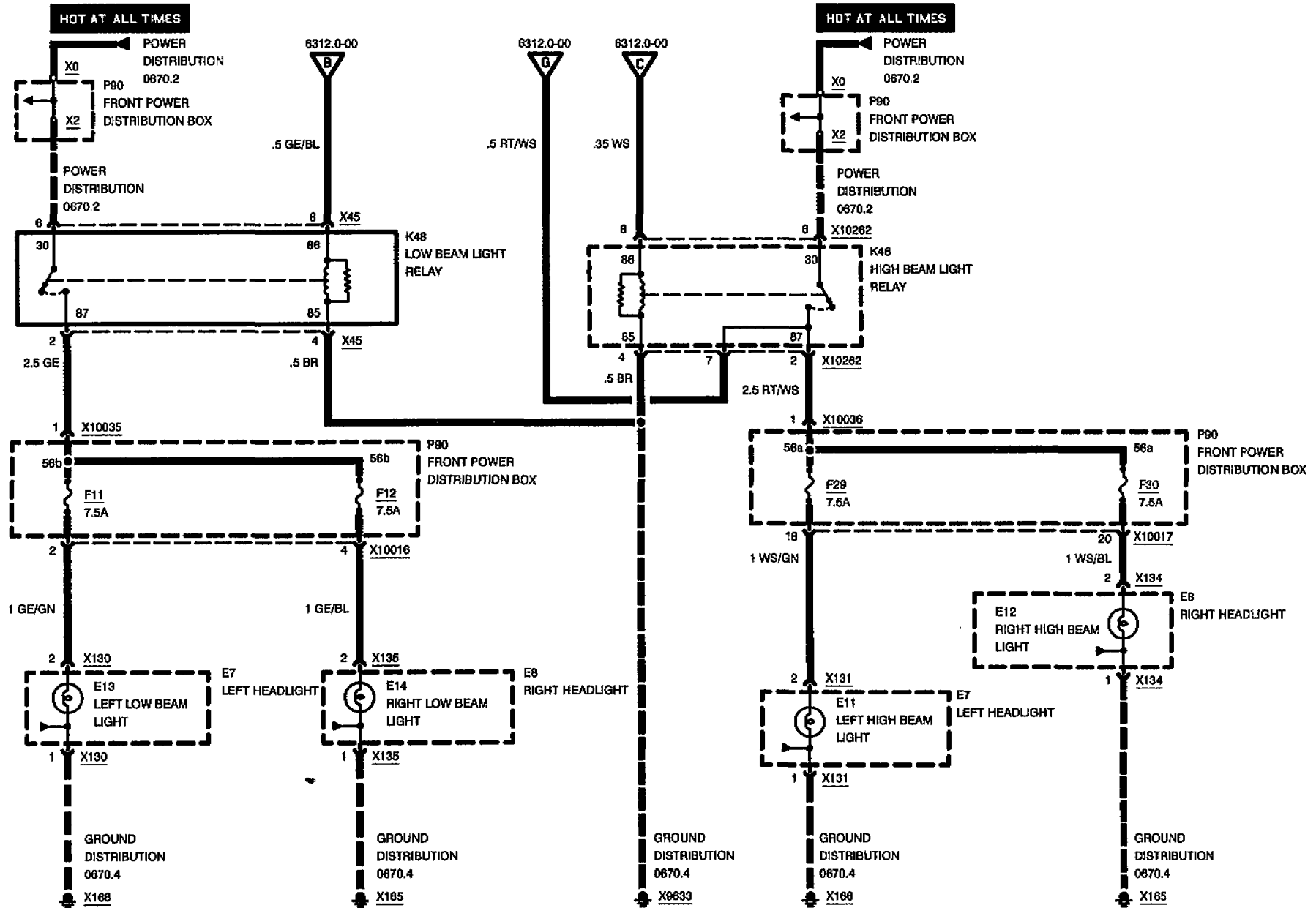
Z3





Z3

HEADLIGHTS/FOG LIGHTS

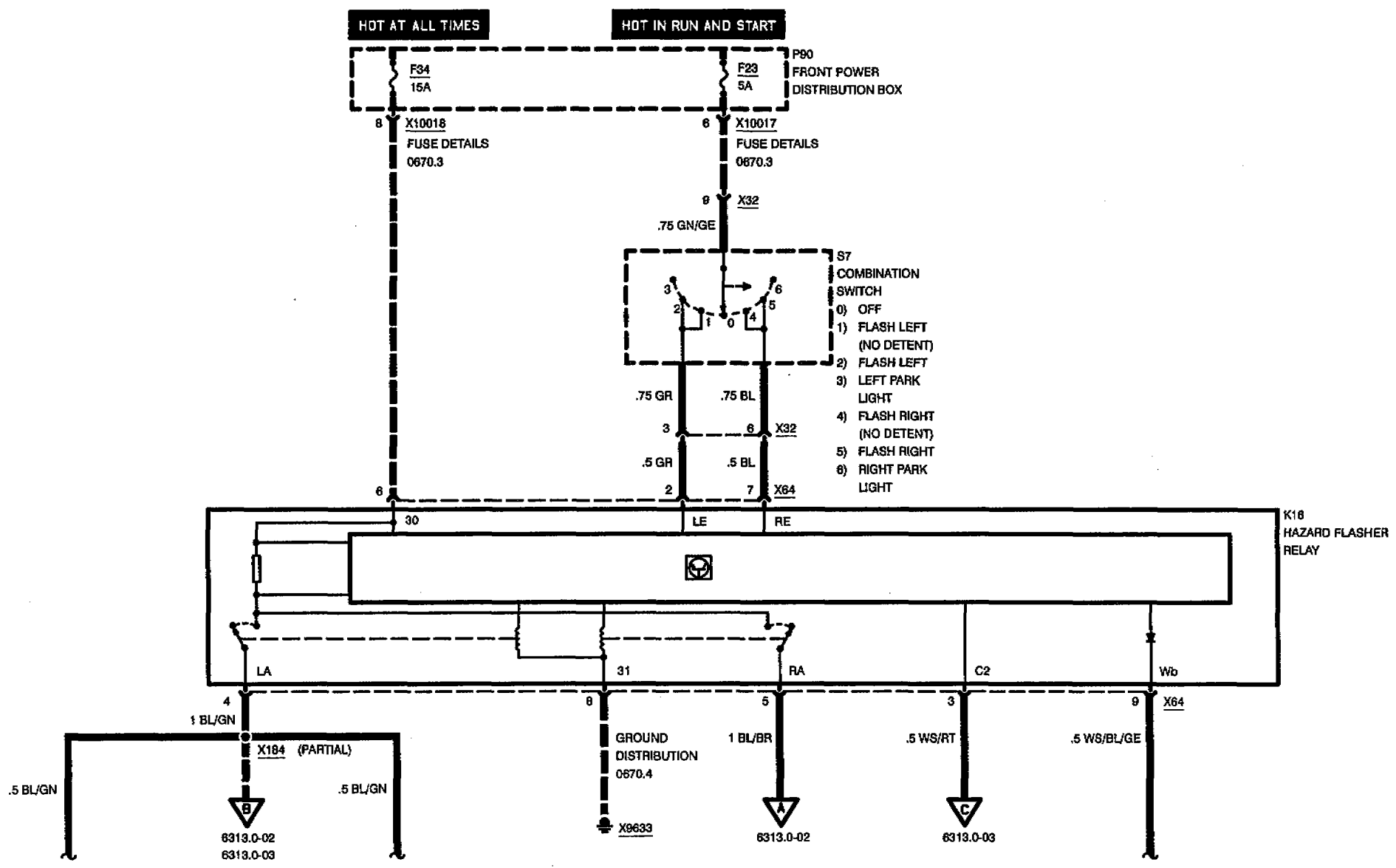


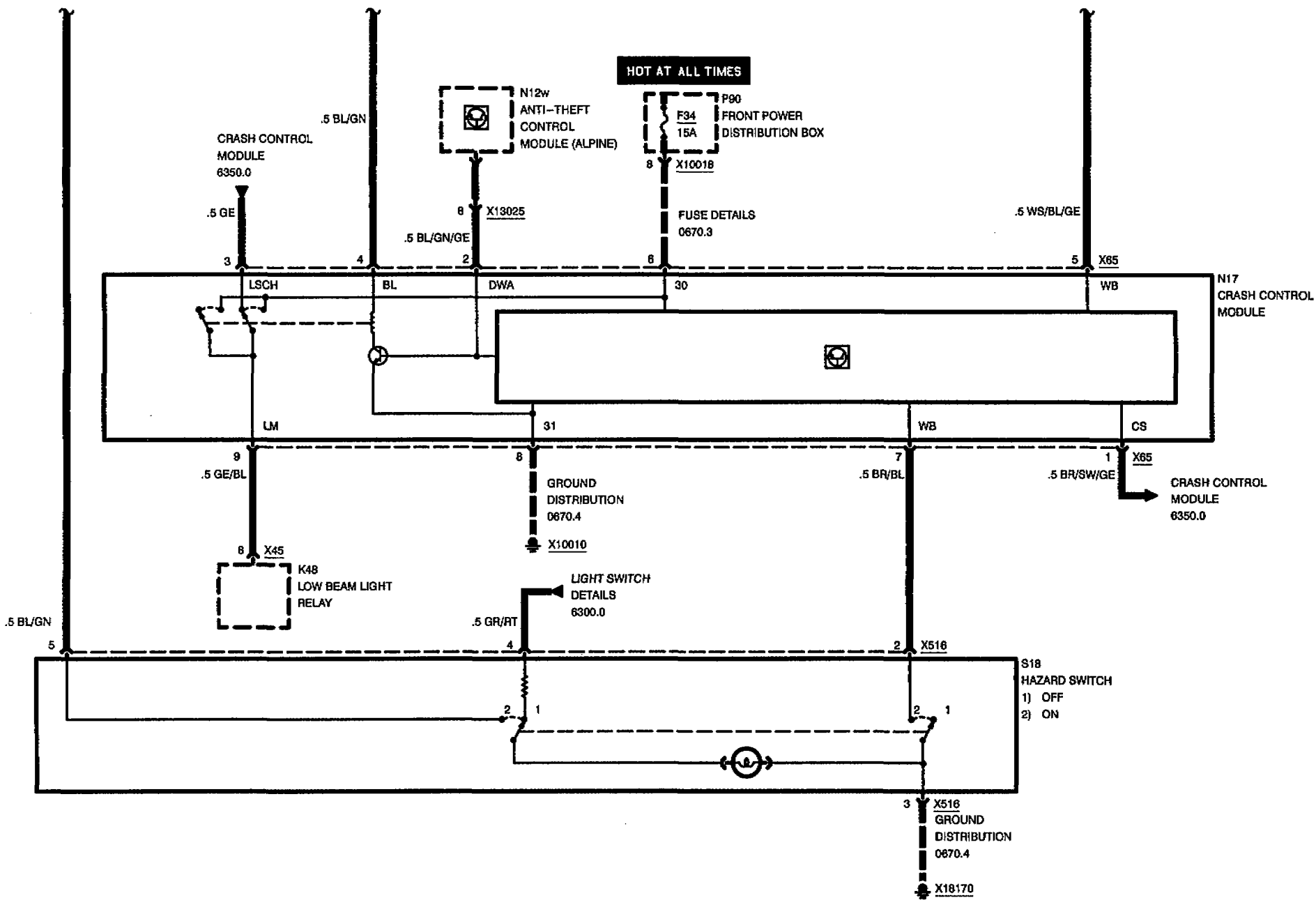
04/97

6312.0-01

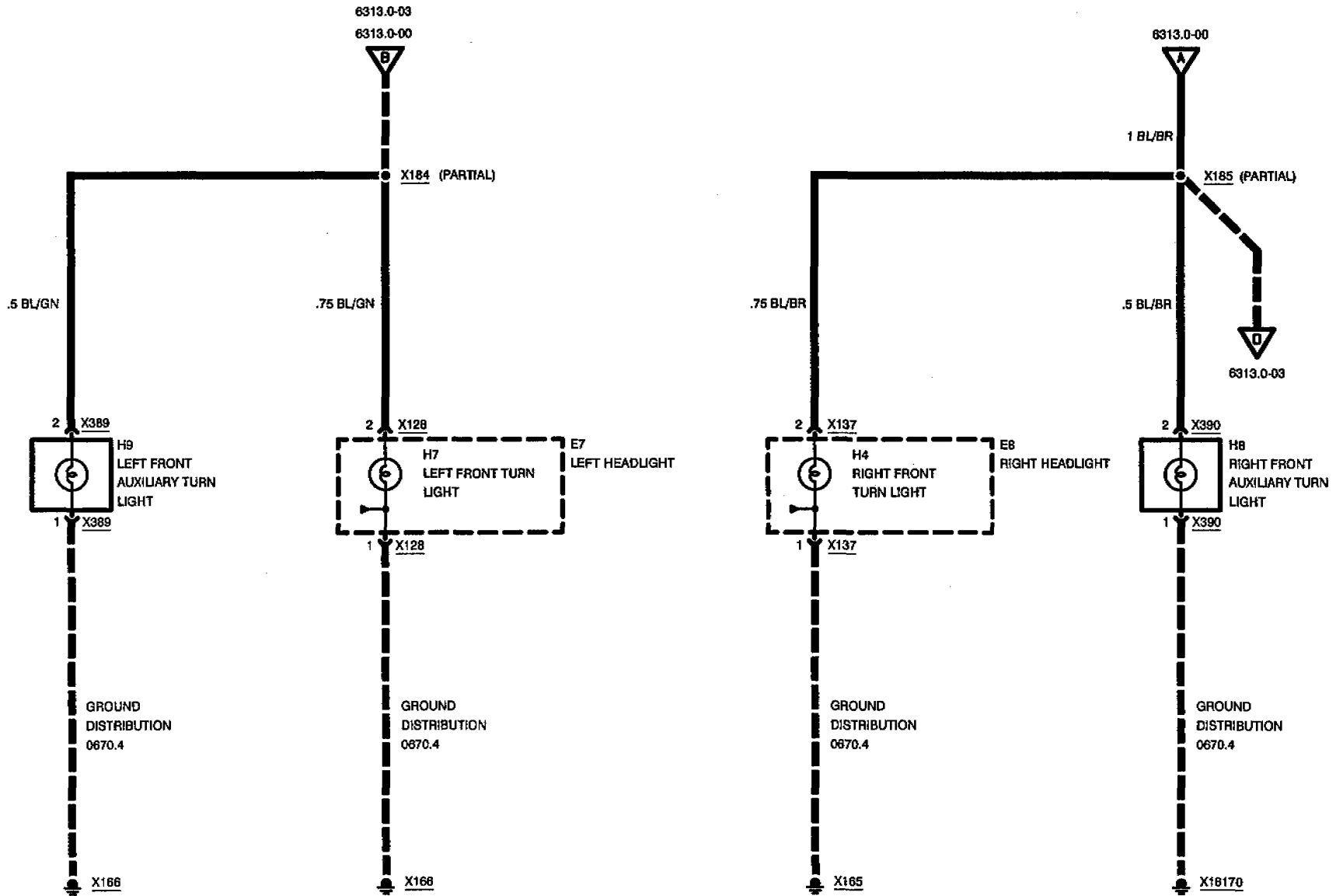
1996

TURN/HAZARD LIGHTS



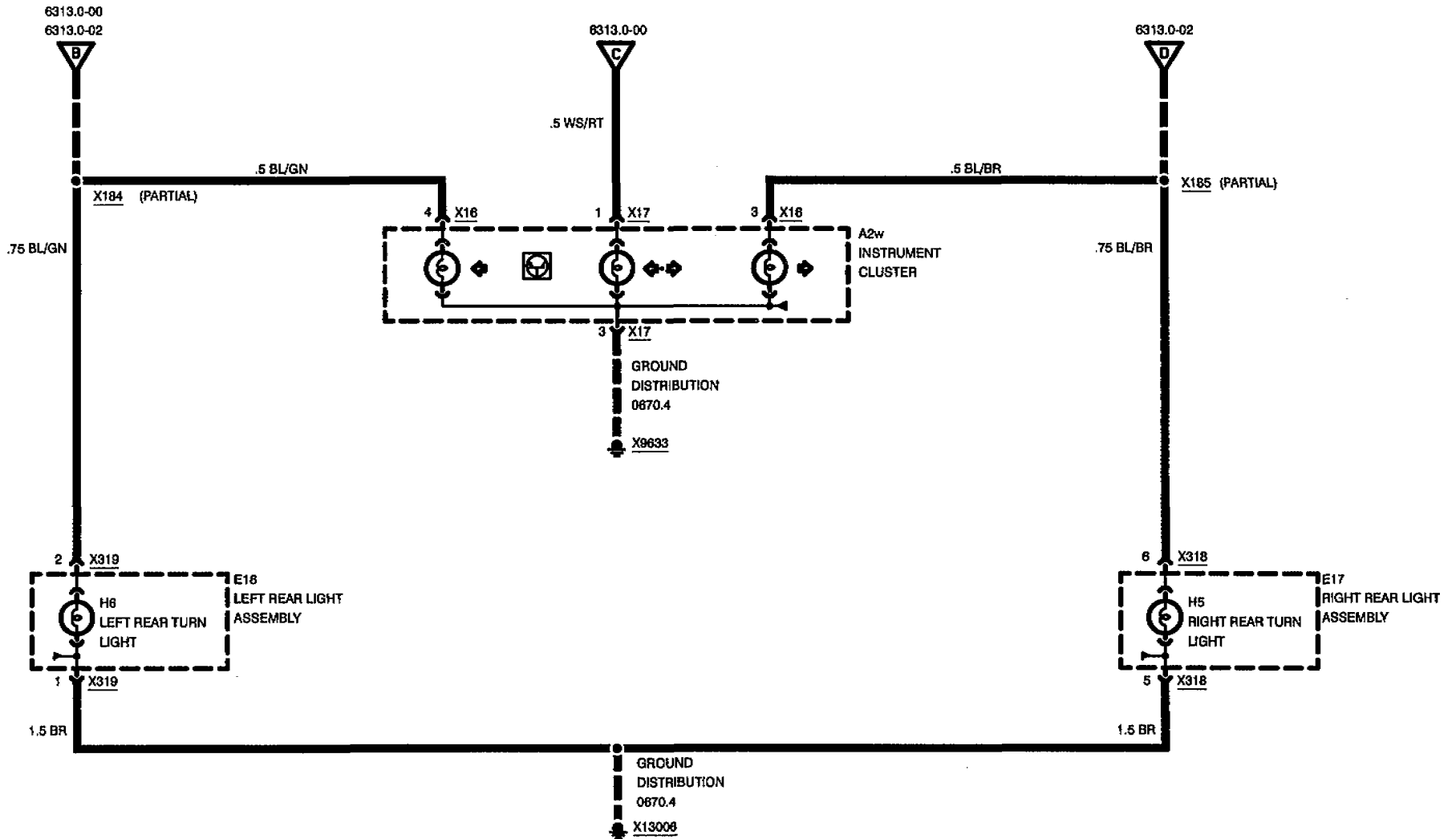


TURN/HAZARD LIGHTS

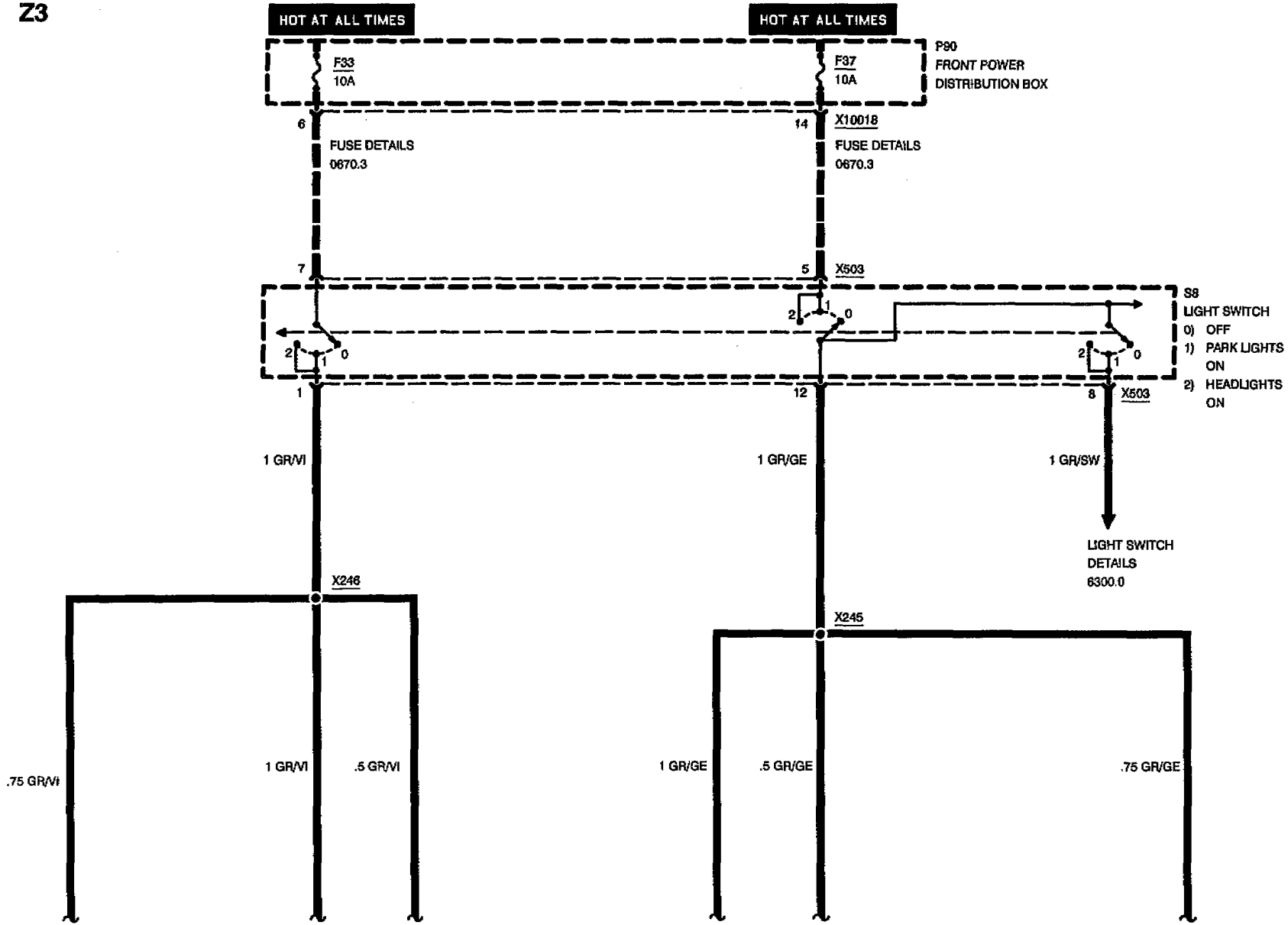


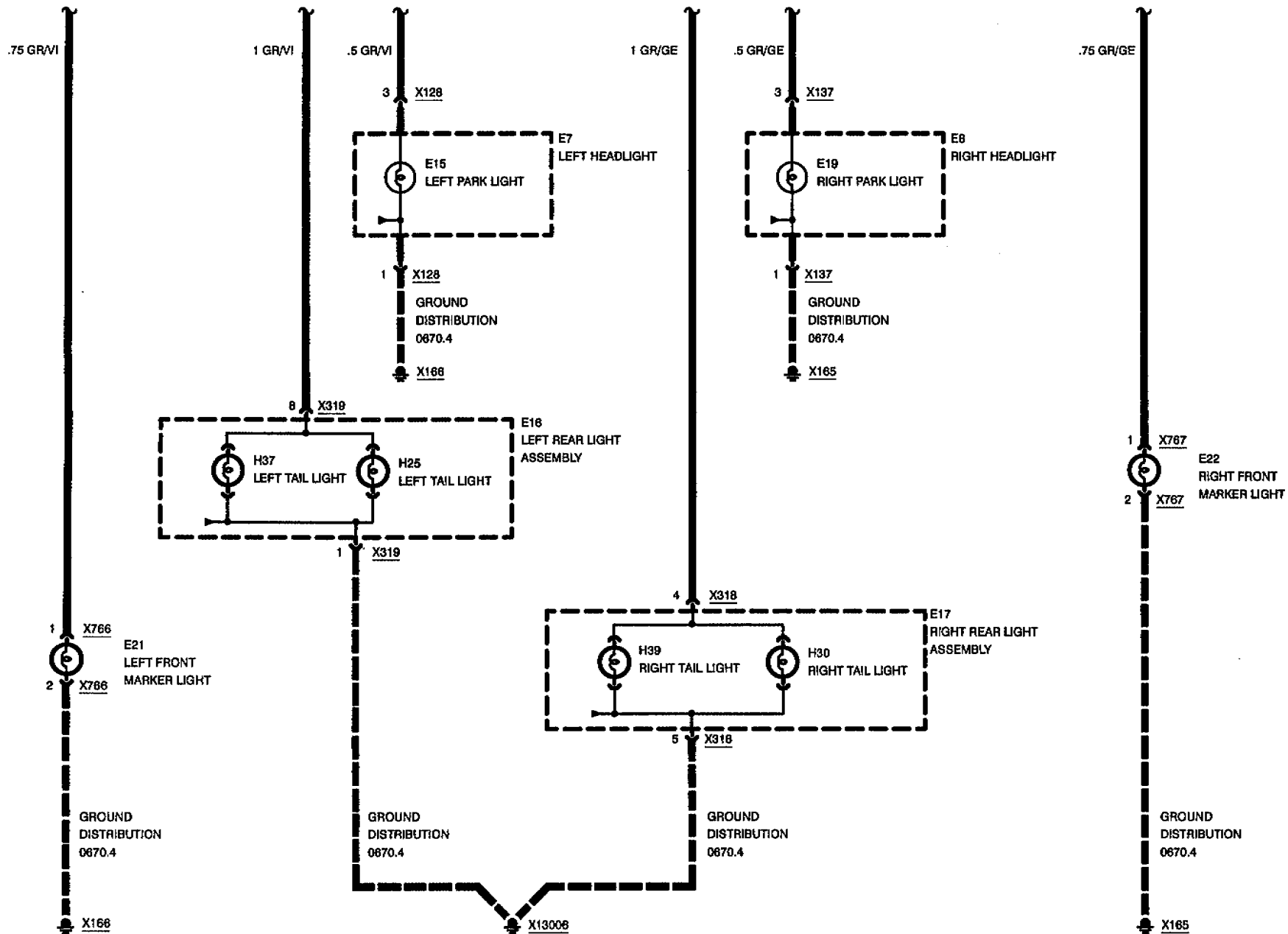


TURN/HAZARD LIGHTS

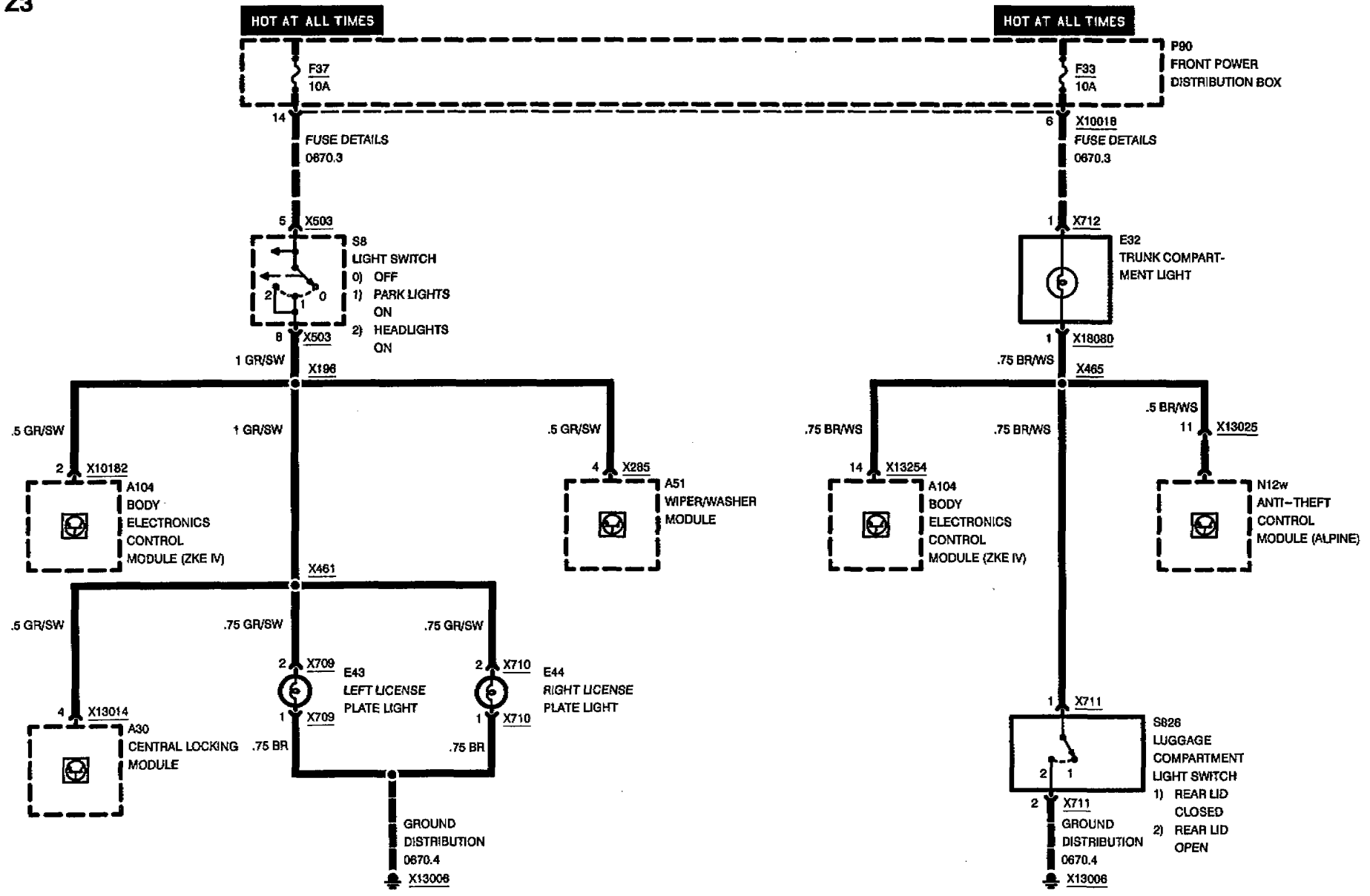


PARK/TAIL/UNDERHOOD LIGHTS





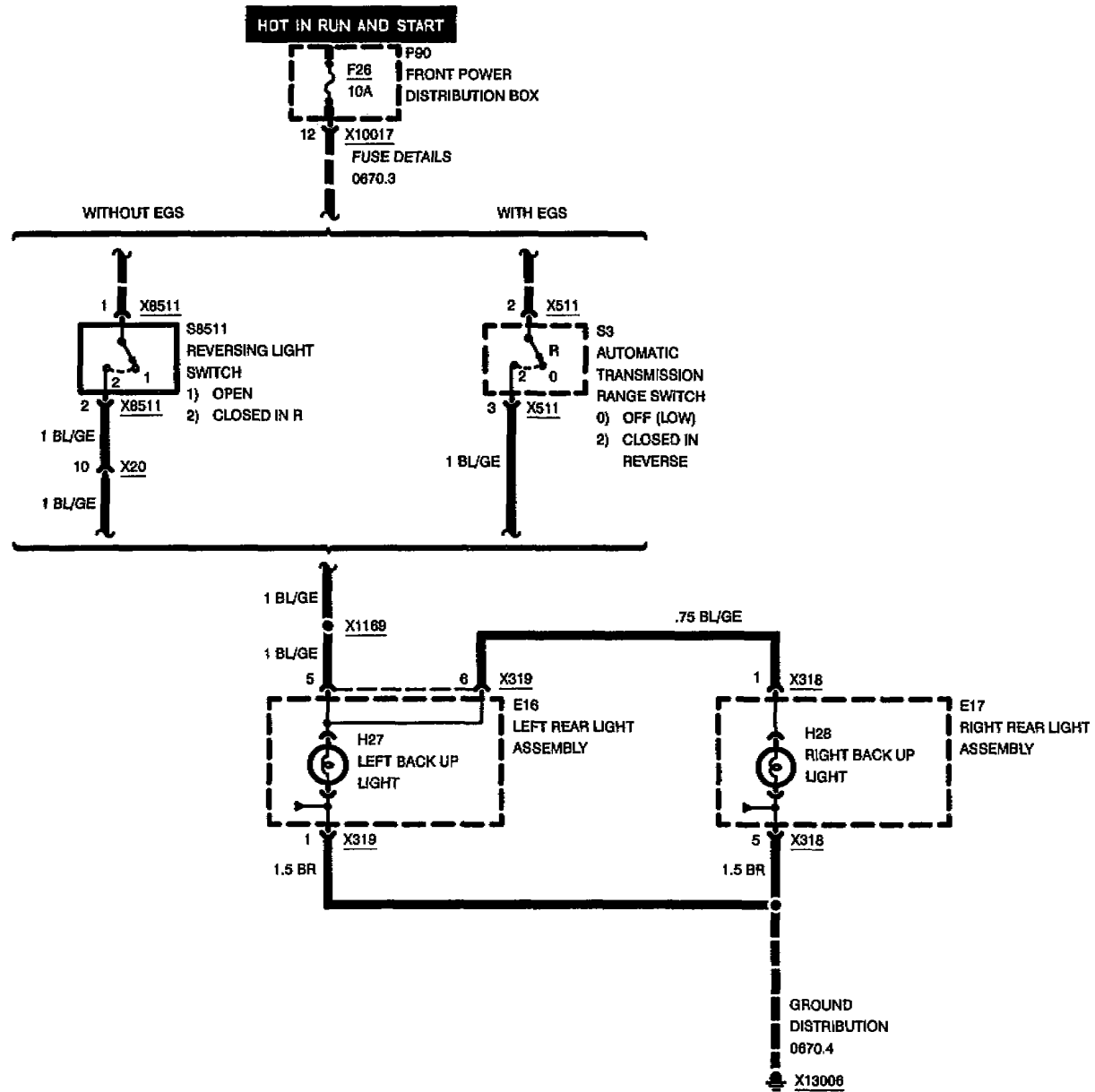
LICENSE PLATE/LUGGAGE COMPARTMENT LIGHTS



BMW
3
Z3

6322.0

BACK UP LIGHTS

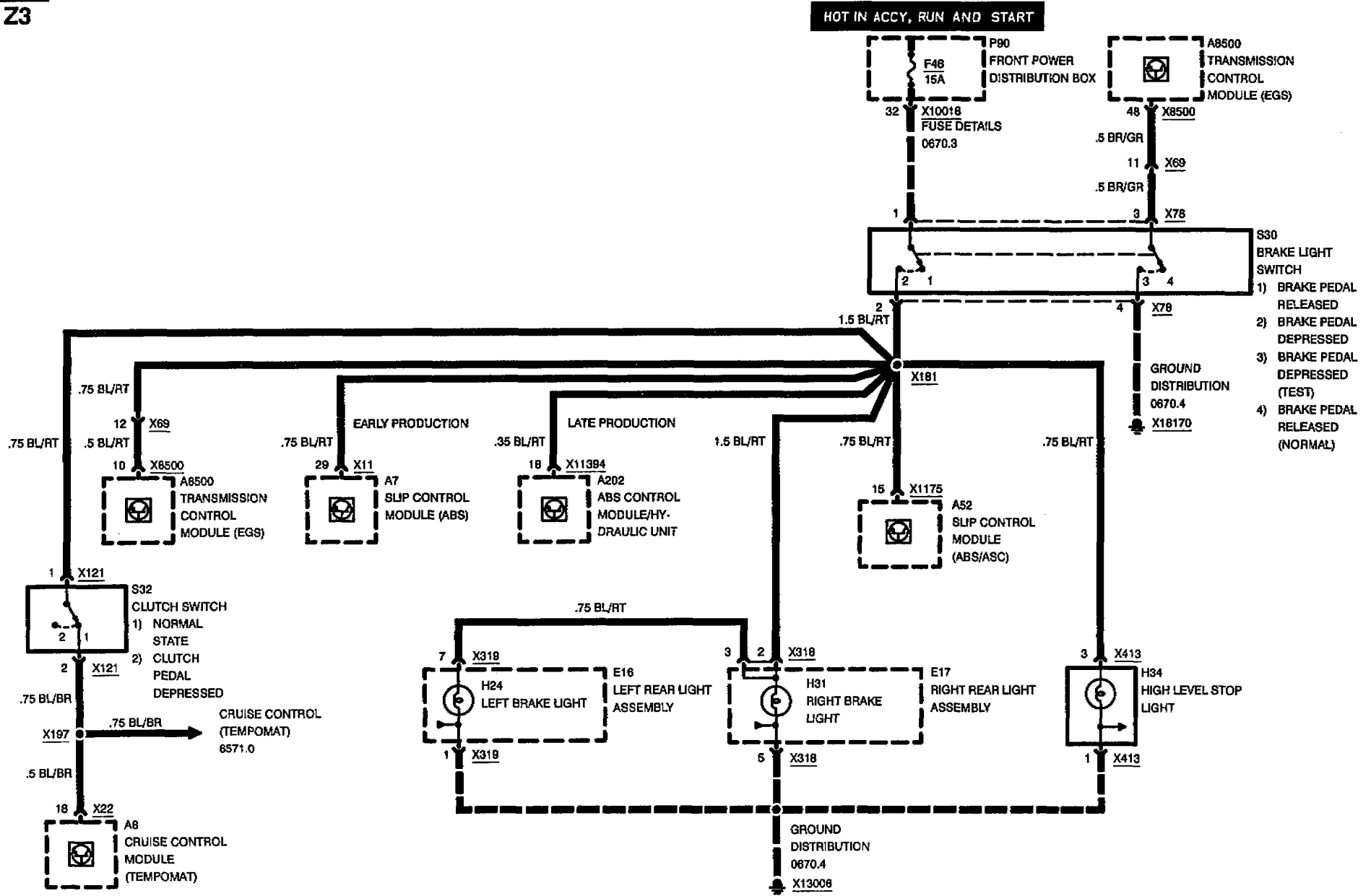


BMW
3

Z3

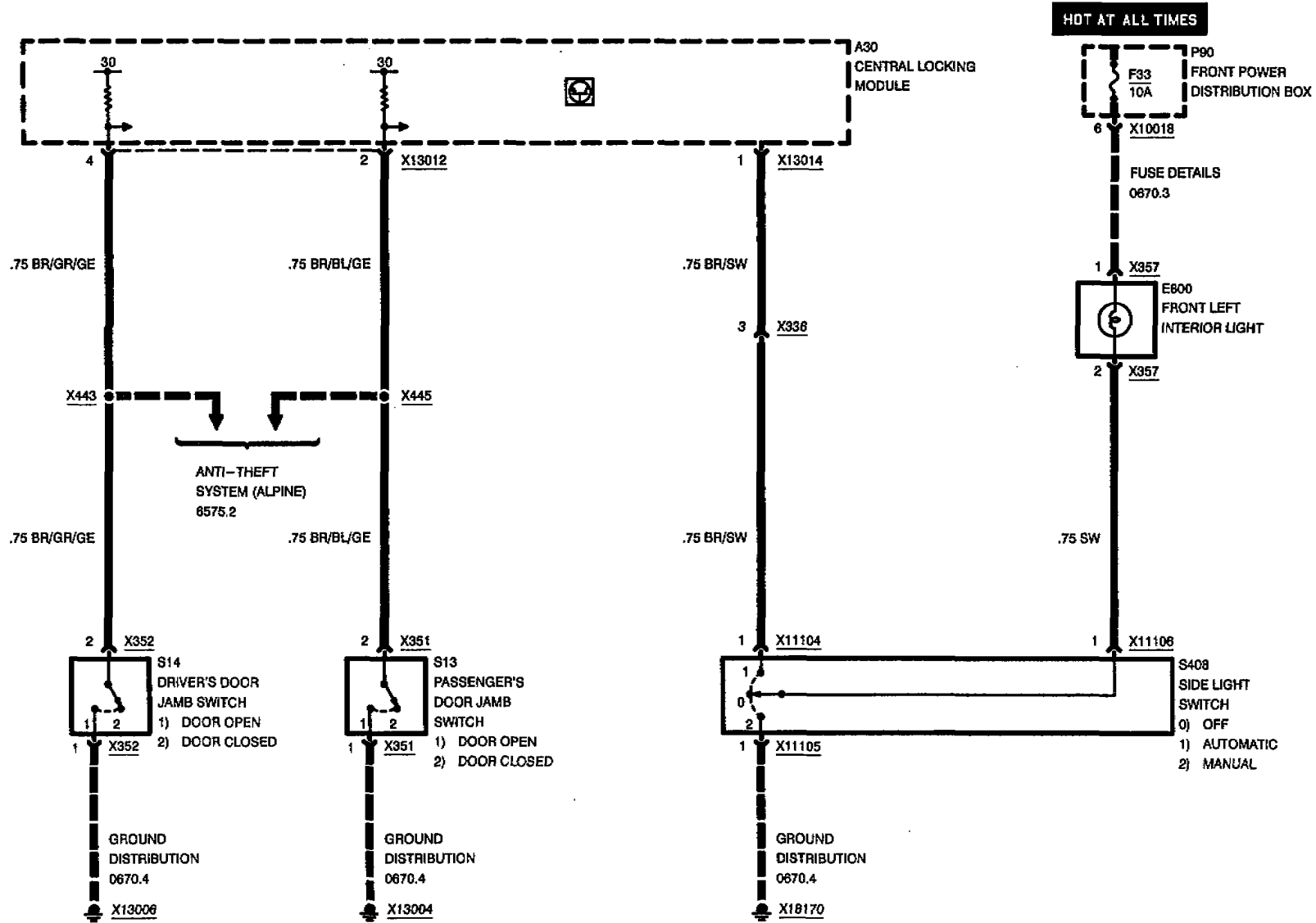
6325.0

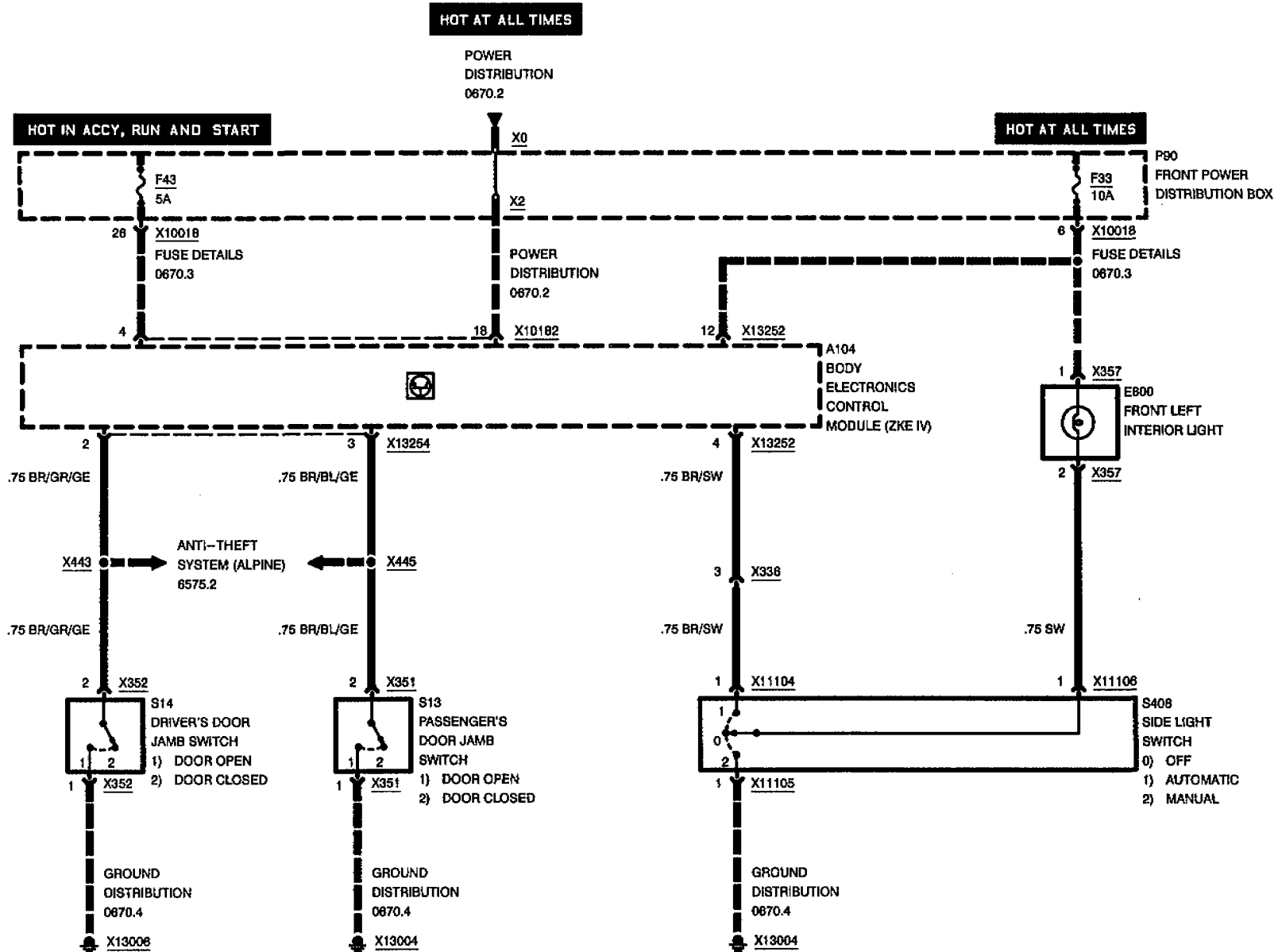
BRAKE LIGHTS



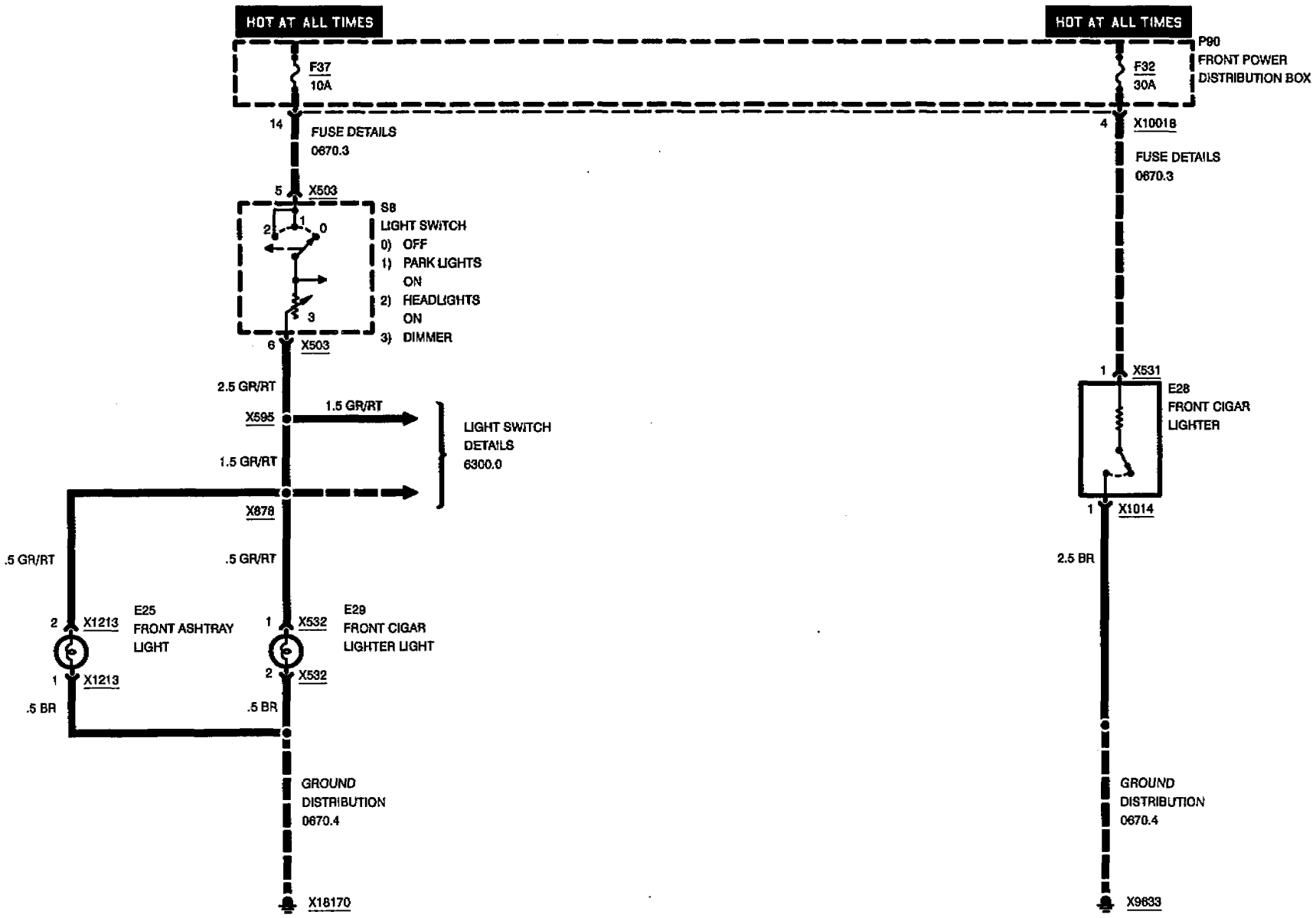
BMW
3
Z3

6330.3





INTERIOR ACCESSORIES



BMW
3

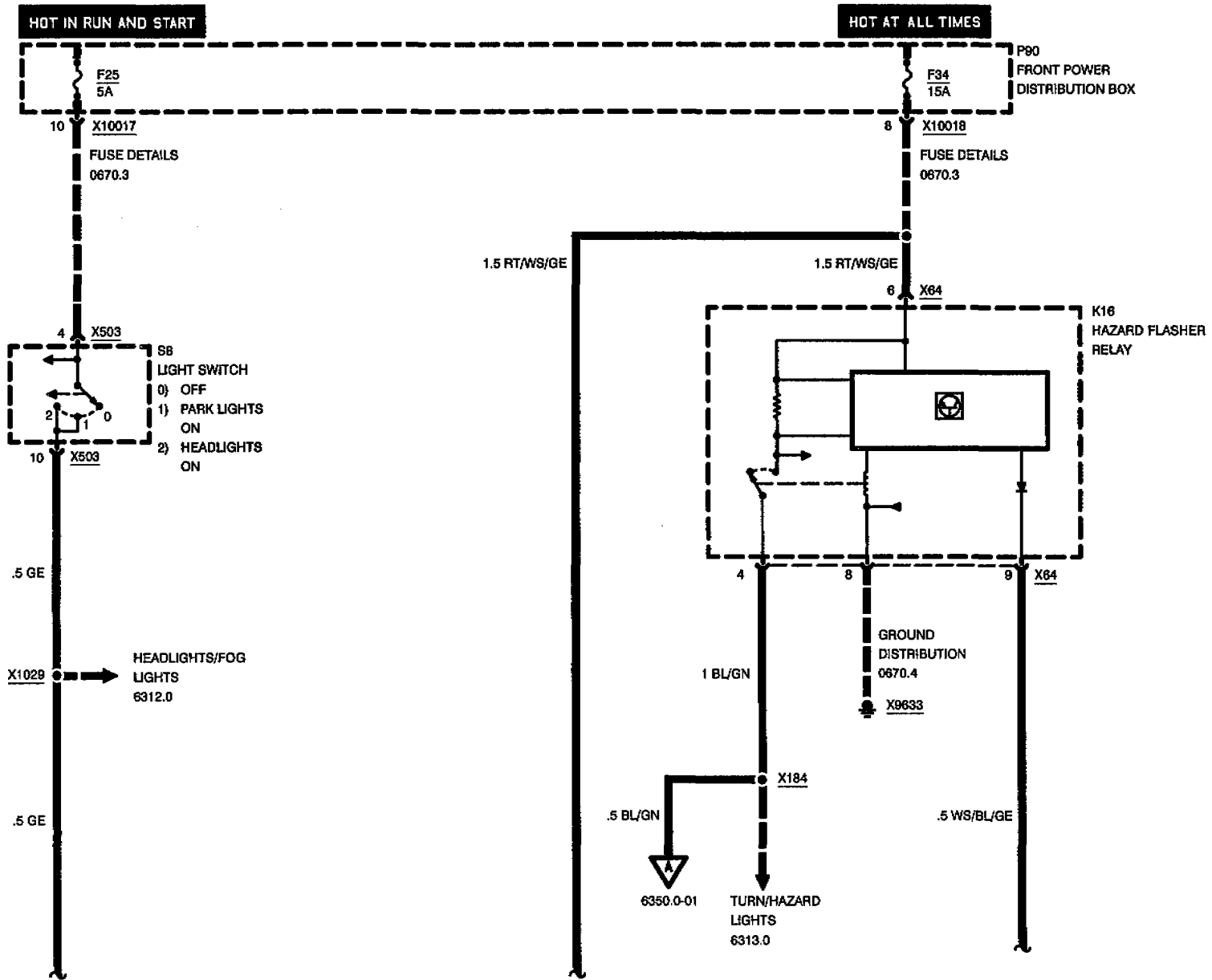
Z3

6350.0



Z3

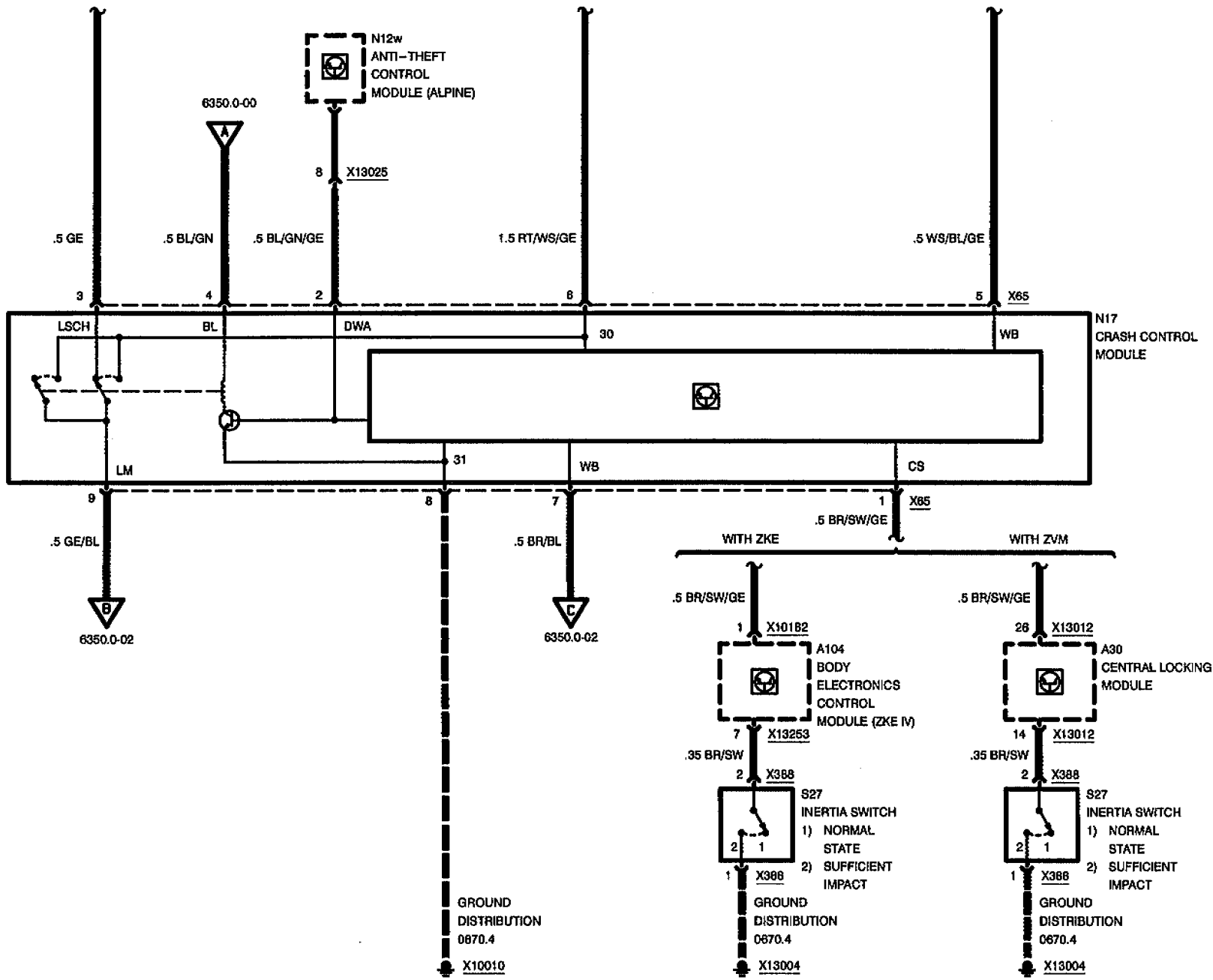
CRASH CONTROL MODULE



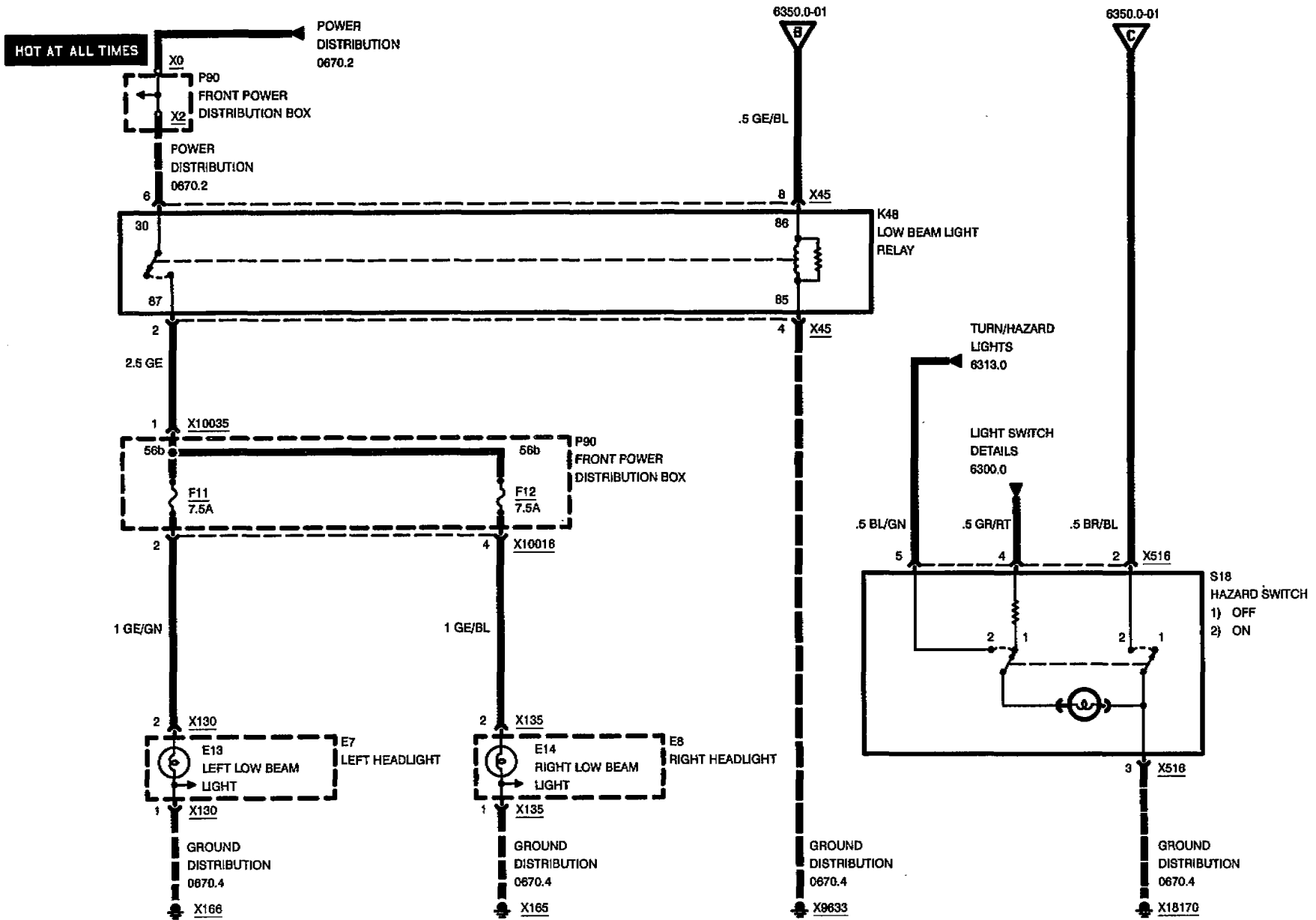
04/97

6350.0-00

1996



CRASH CONTROL MODULE



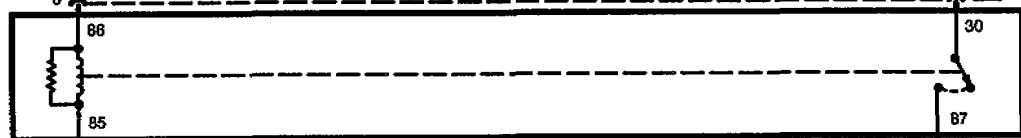
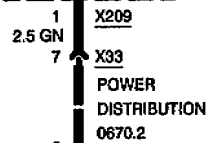
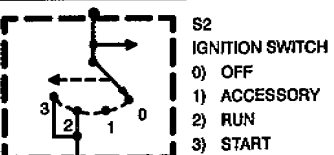
BMW
3
Z3

6450.6

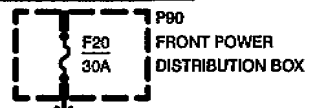
INTEGRATED HEATING – AND CLIMATE CONTROL

POWER, AIR FLOW CONTROL

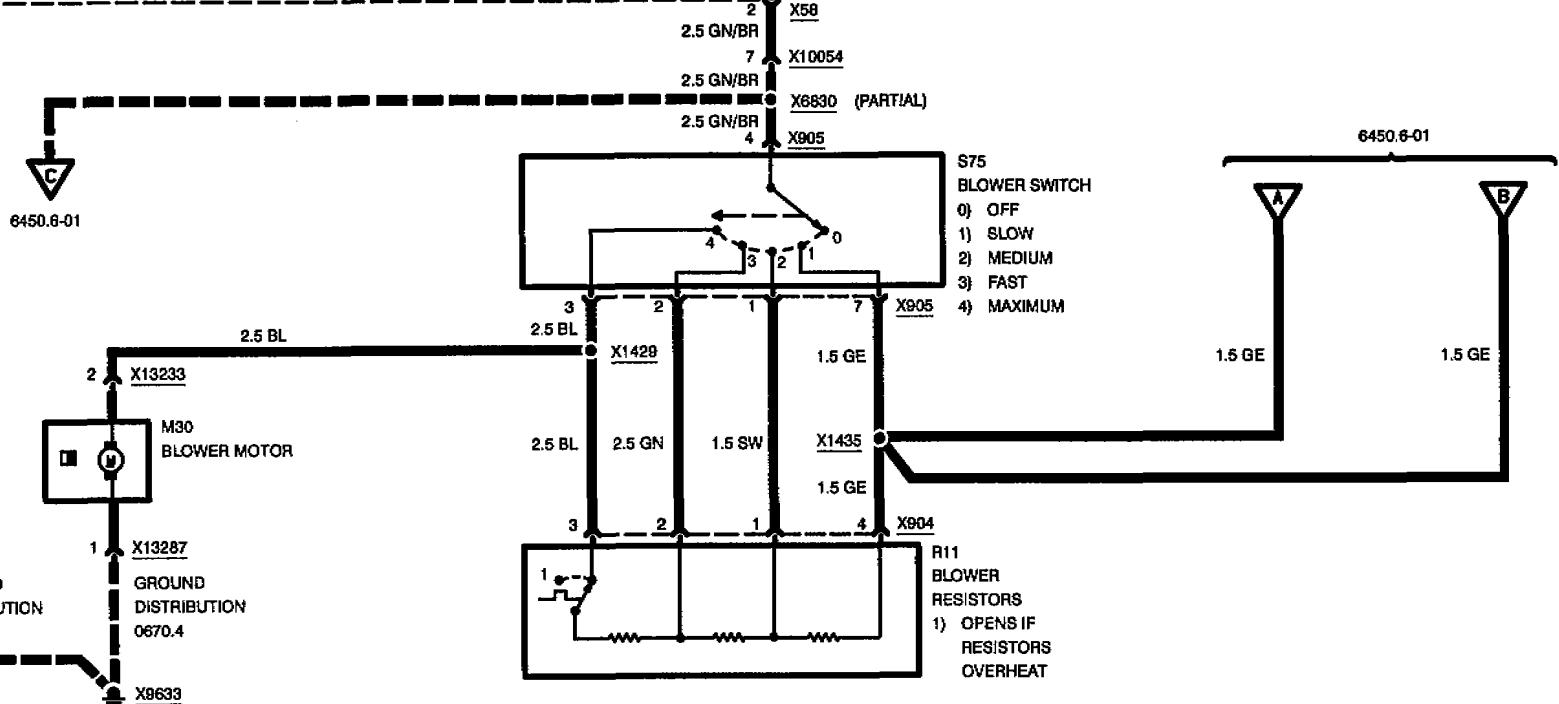
HOT AT ALL TIMES



HOT IN RUN AND START



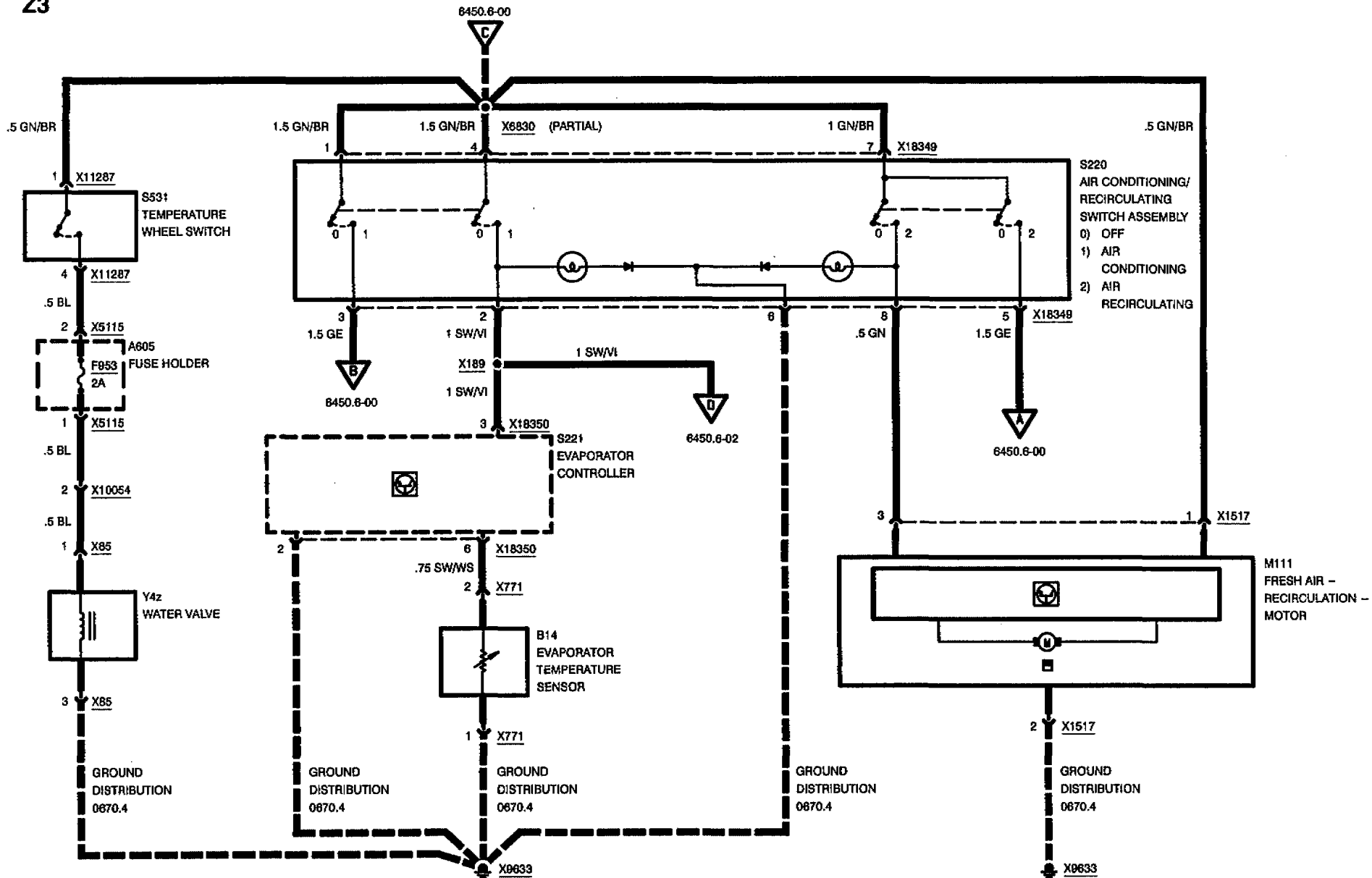
FUSE DETAILS
0670.3





Z3

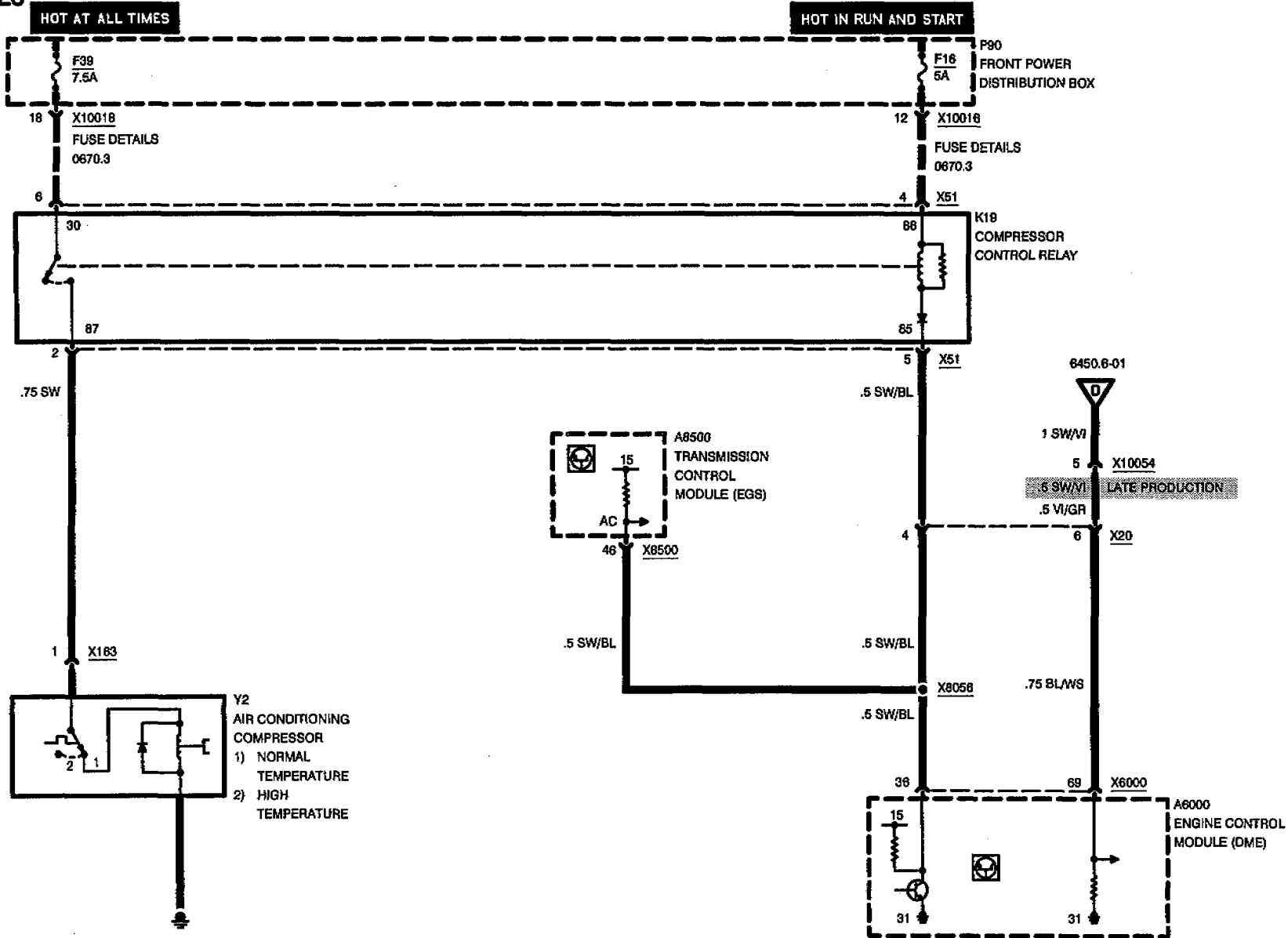
INTEGRATED HEATING - AND CLIMATE CONTROL



INTEGRATED HEATING- AND CLIMATE CONTROL

COMPRESSOR CONTROLS

Z3



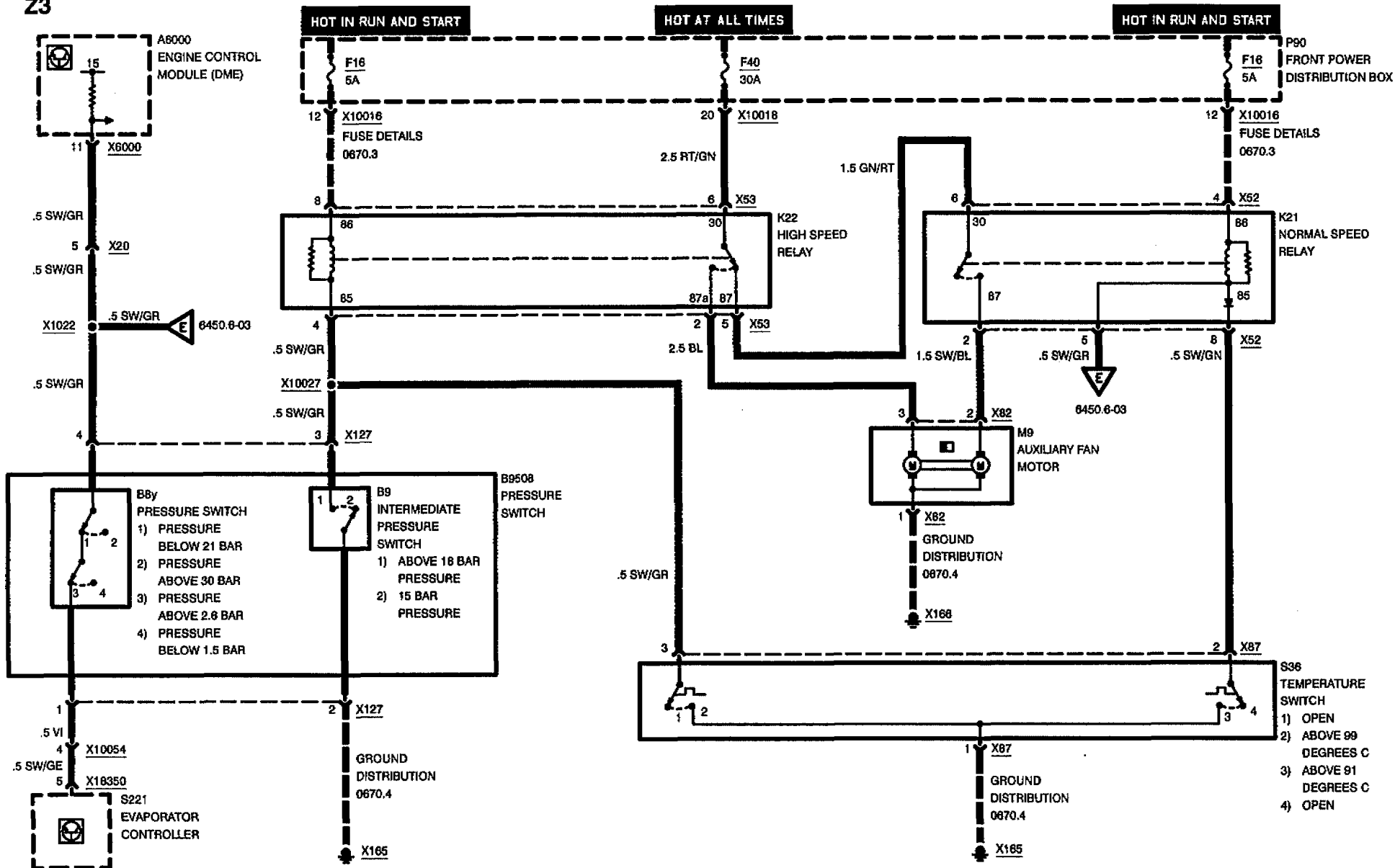


INTEGRATED HEATING- AND CLIMATE CONTROL

EARLY PRODUCTION

AUXILIARY FAN

Z3



04/97

6450.6-03

1996

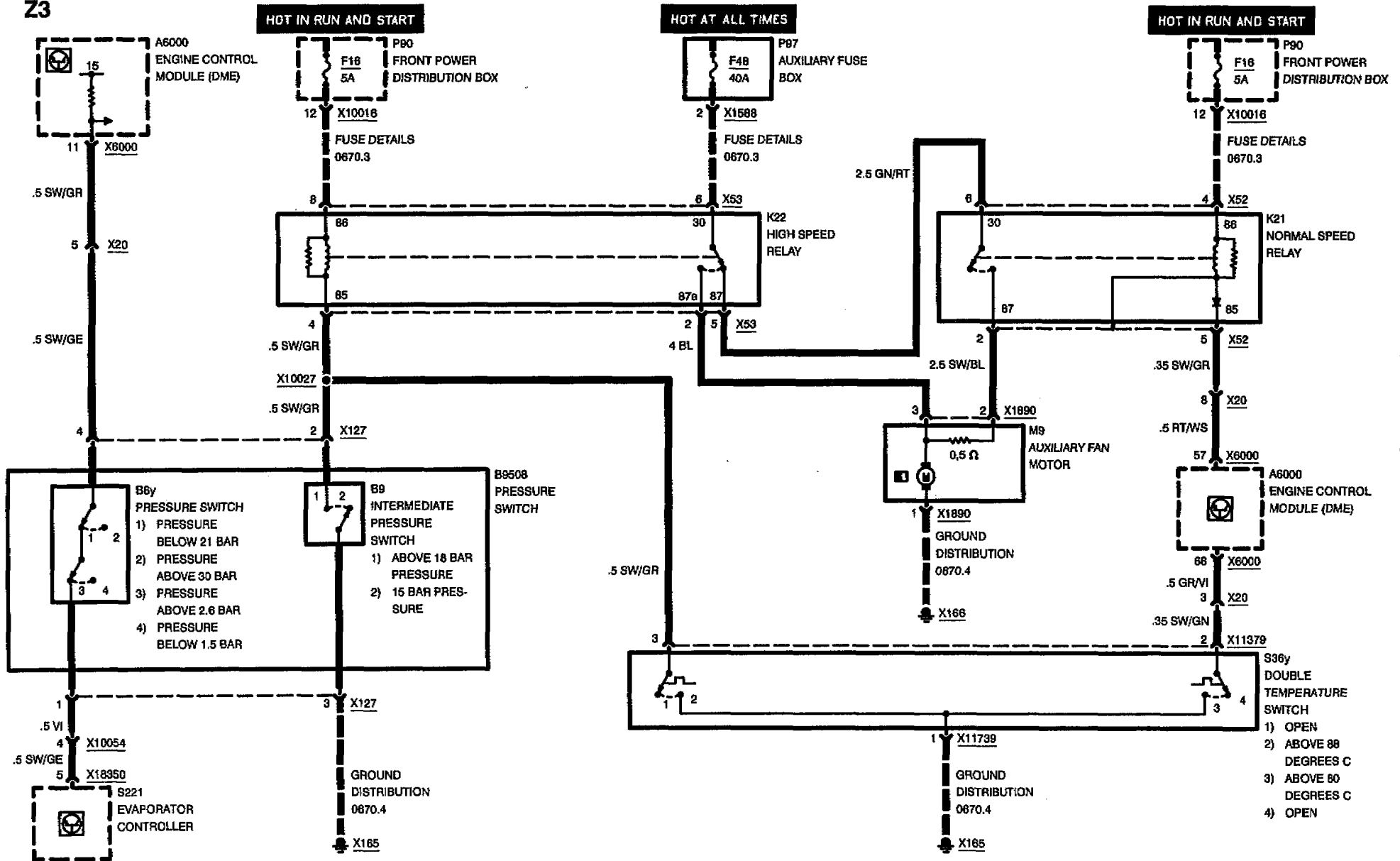


INTEGRATED HEATING – AND CLIMATE CONTROL

LATE PRODUCTION

AUXILIARY FAN

Z3



04/97

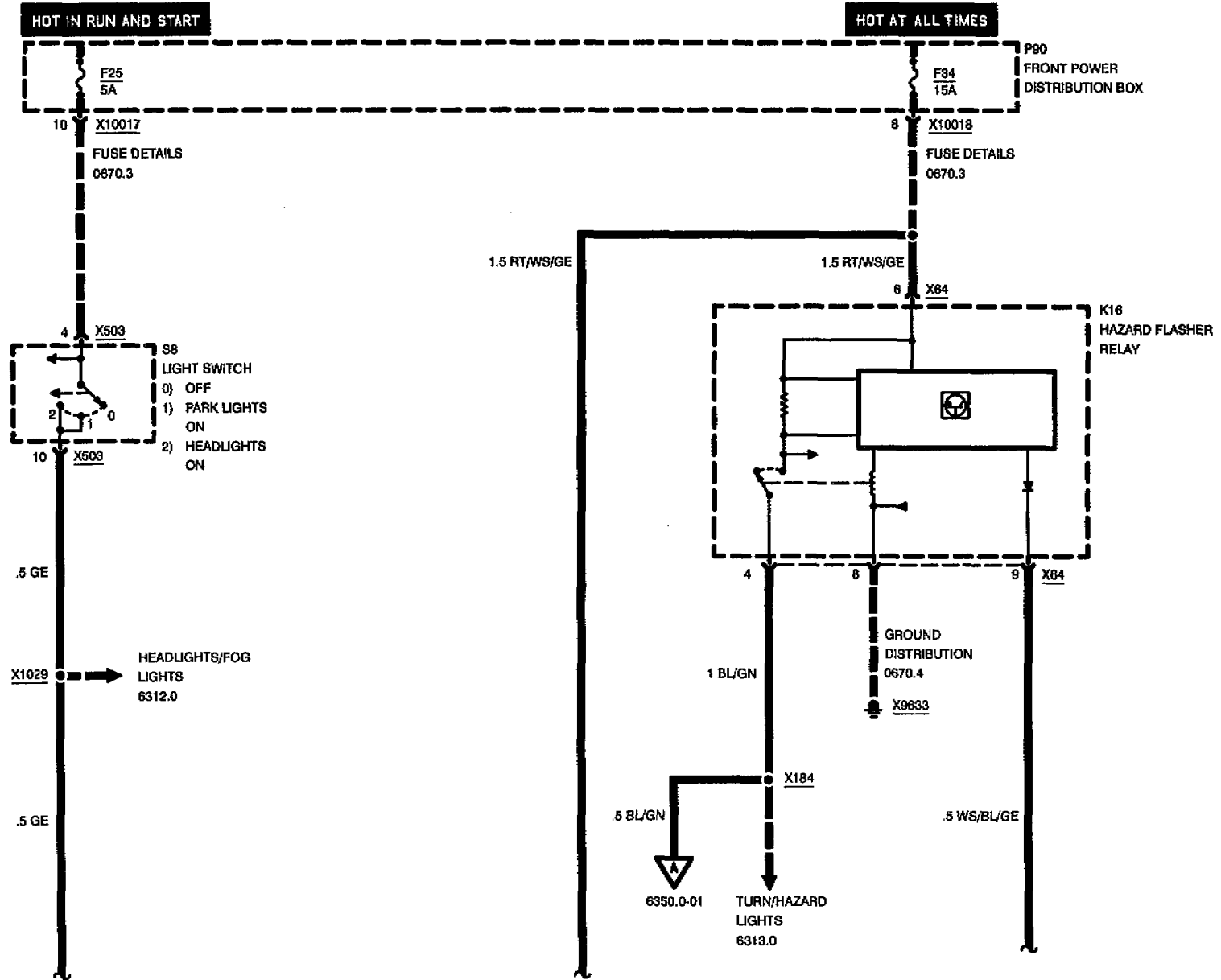
6450.6-04

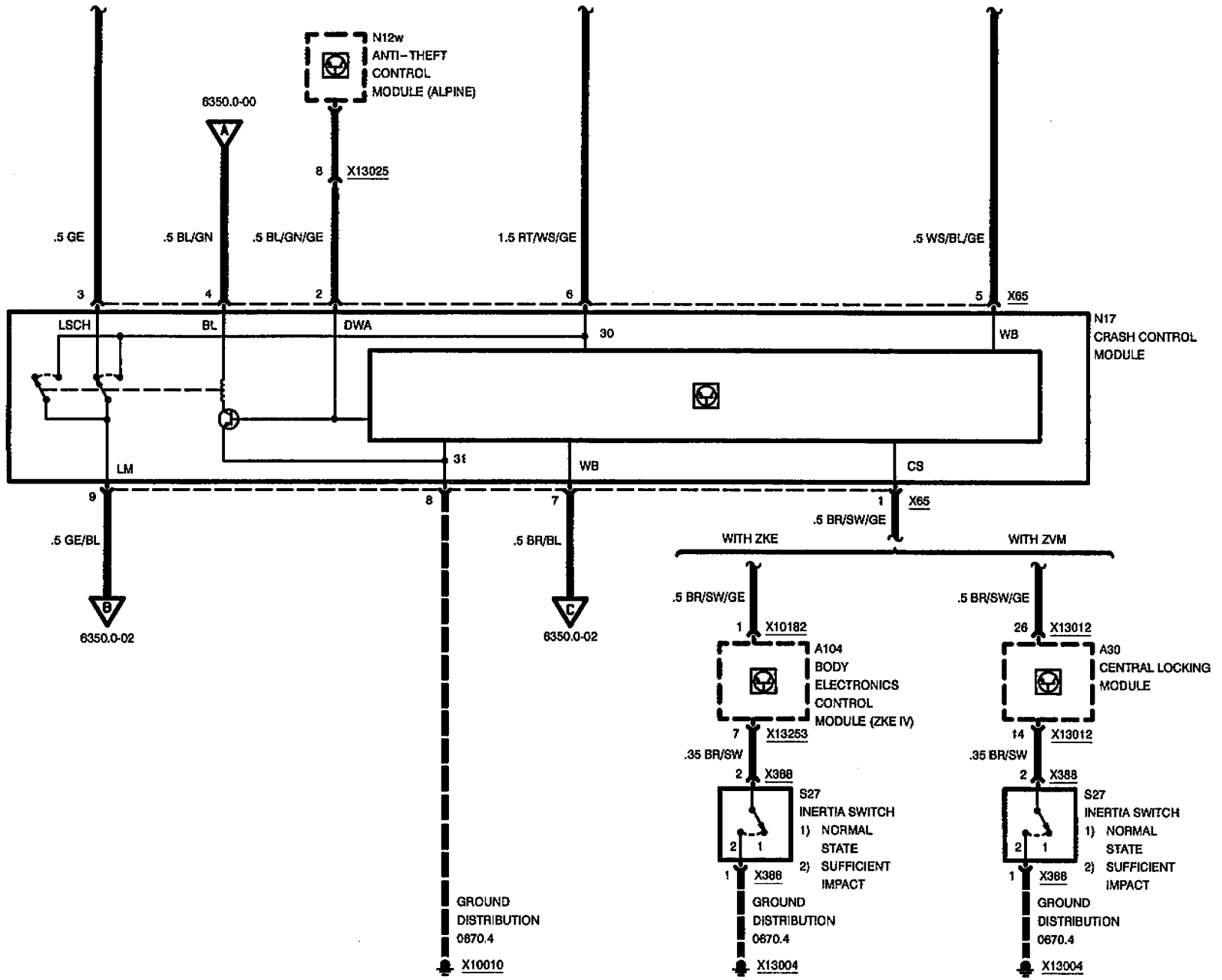
1996

BMW
3
Z3

6350.0

CRASH CONTROL MODULE

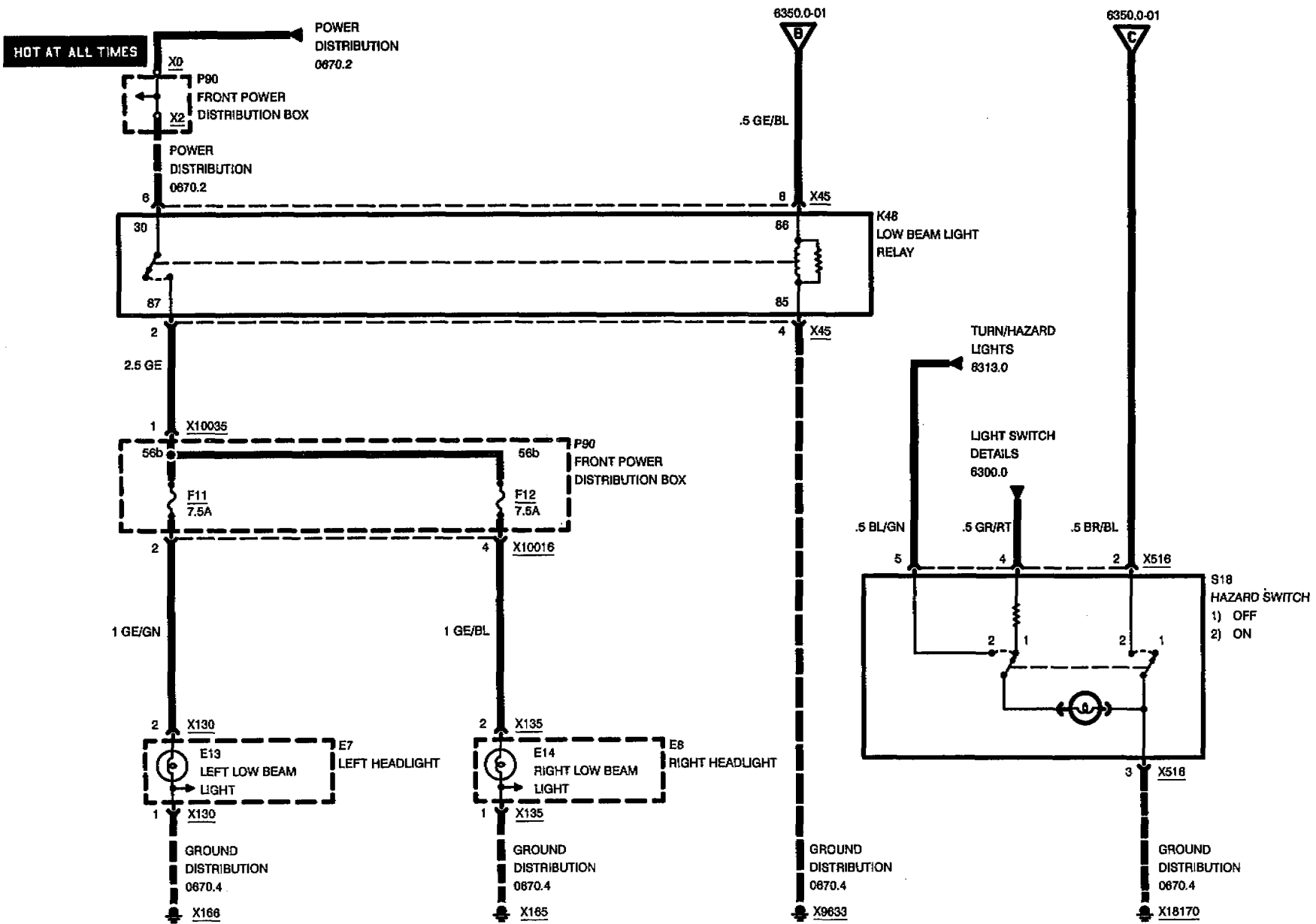






Z3

CRASH CONTROL MODULE



04/97

6350.0-02

1996

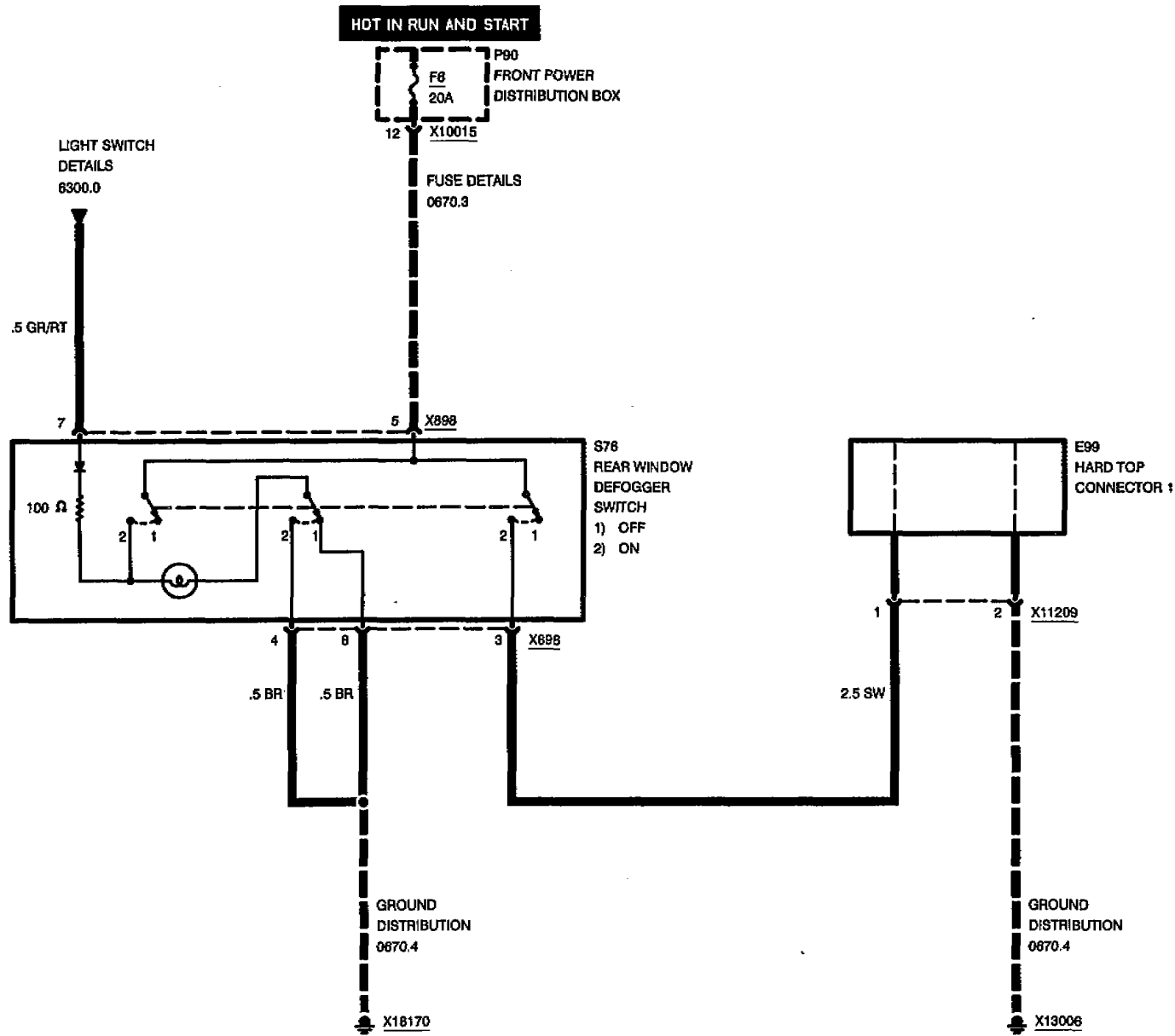
BMW
3
Z3

6424.0



REAR WINDOW DEFOGGER

PROVISIONS



BMW
3

Z3

6450.6

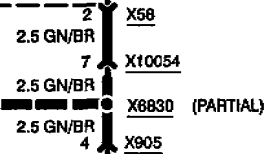
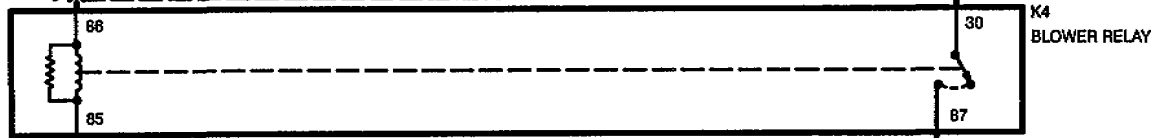
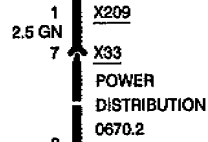
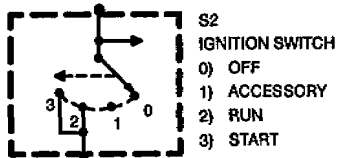
INTEGRATED HEATING- AND CLIMATE CONTROL

POWER, AIR FLOW CONTROL

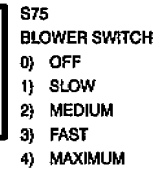
Z3

HOT AT ALL TIMES

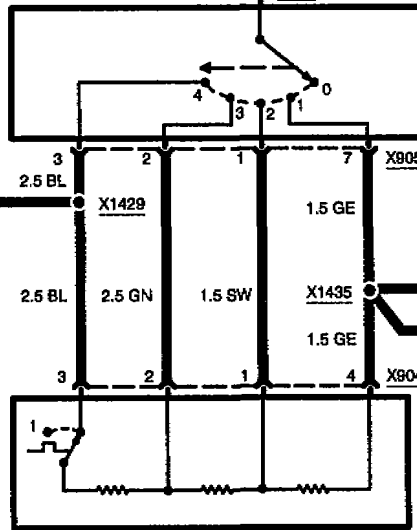
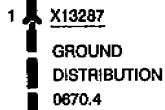
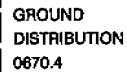
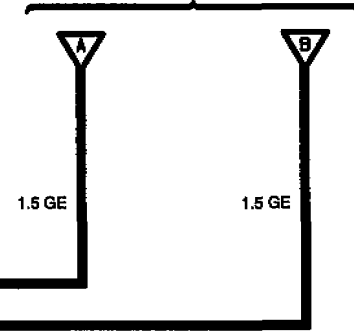
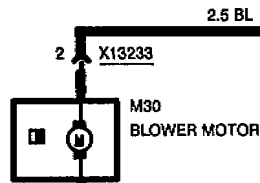
HOT IN RUN AND START



6450.6-01



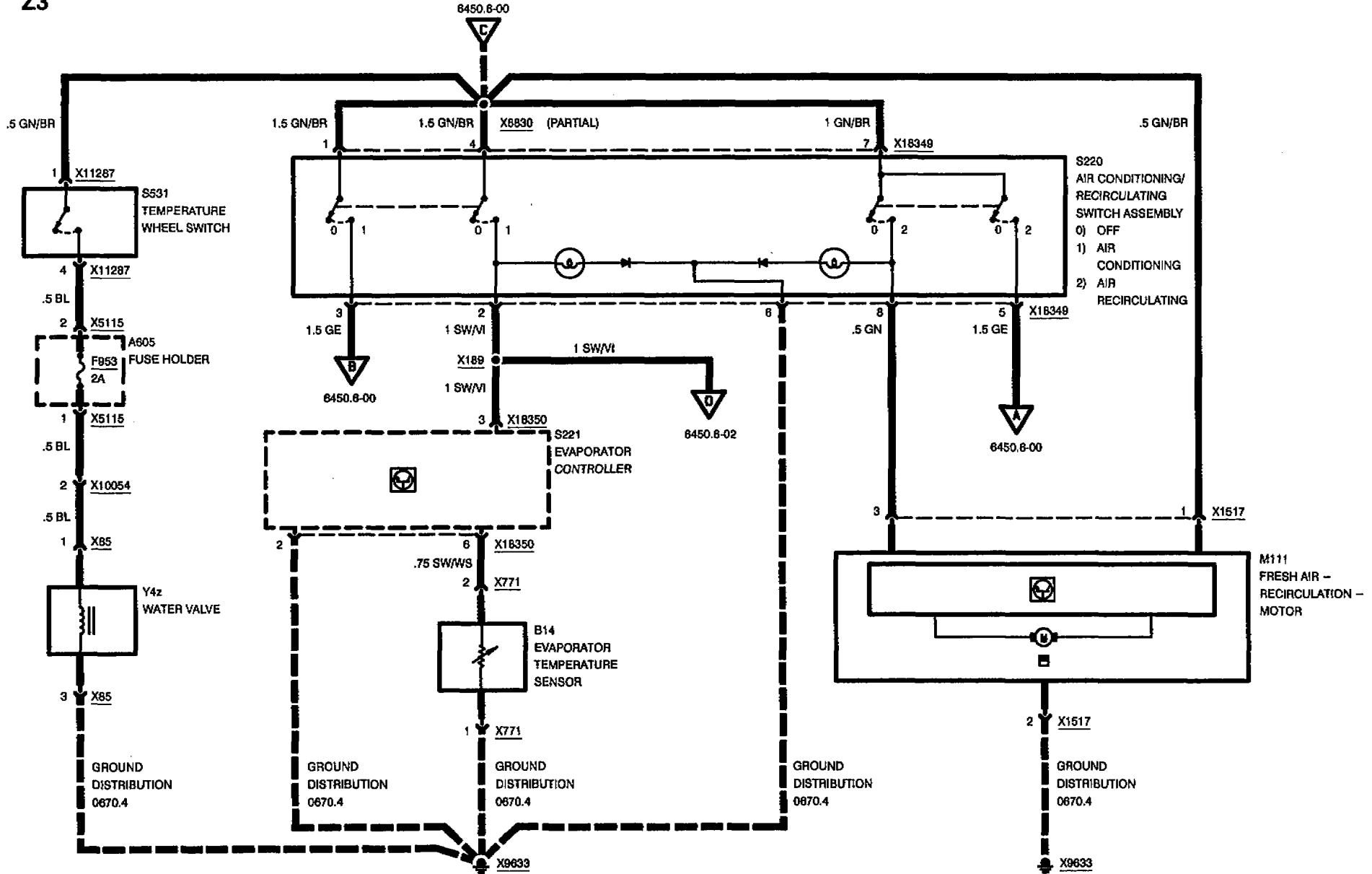
6450.6-01





Z3

INTEGRATED HEATING- AND CLIMATE CONTROL

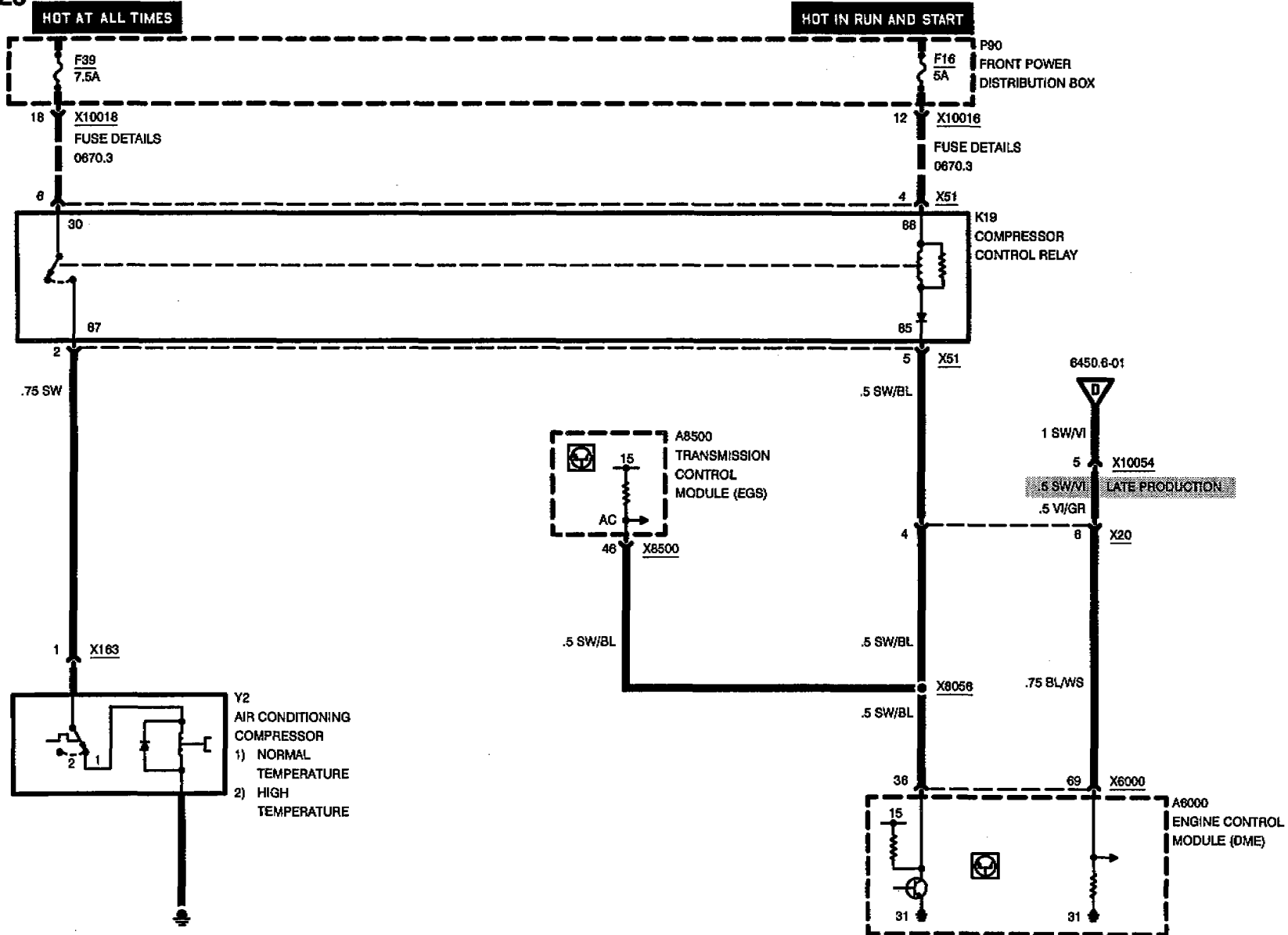




INTEGRATED HEATING- AND CLIMATE CONTROL

COMPRESSOR CONTROLS

Z3



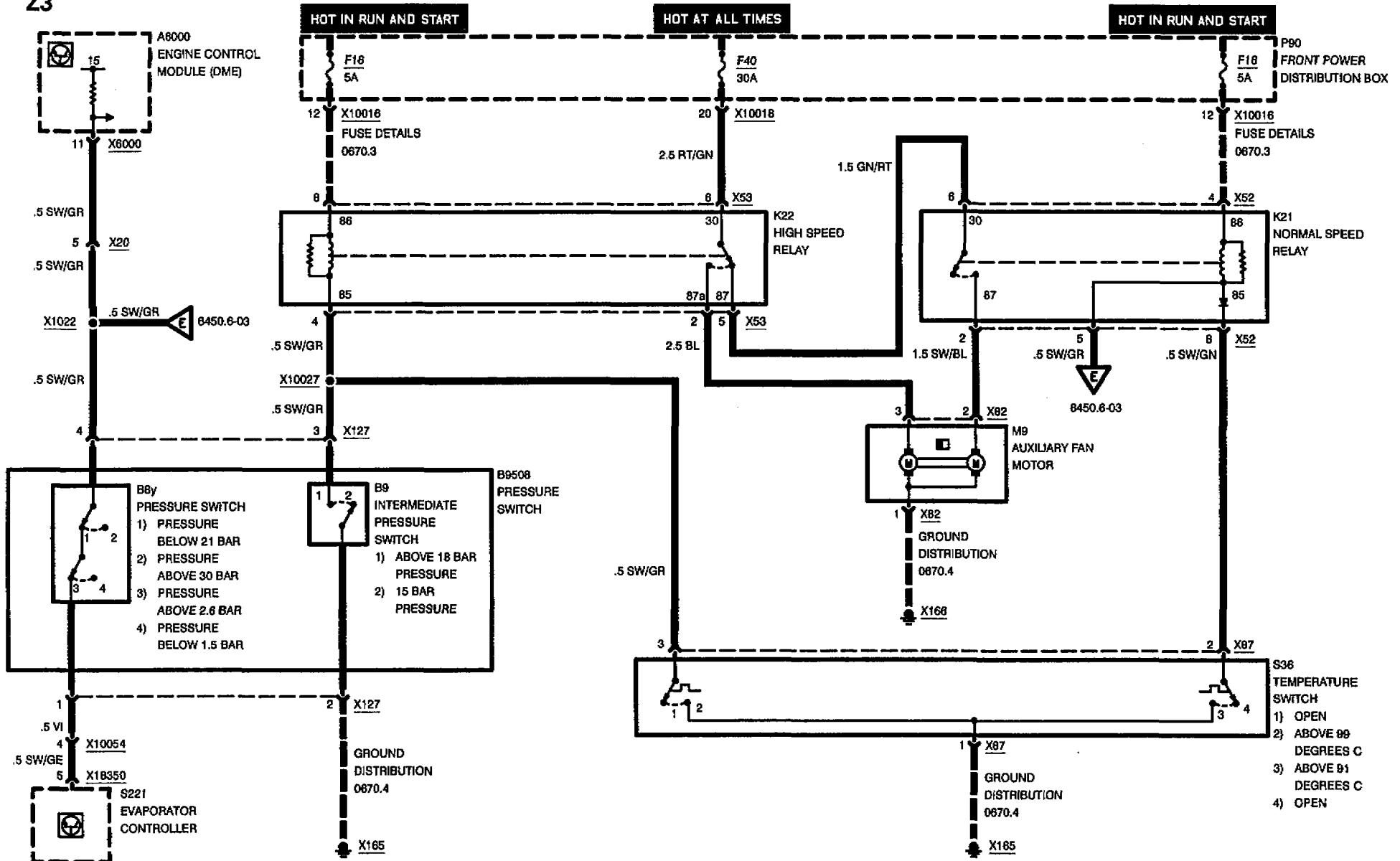


INTEGRATED HEATING- AND CLIMATE CONTROL

EARLY PRODUCTION

AUXILIARY FAN

Z3



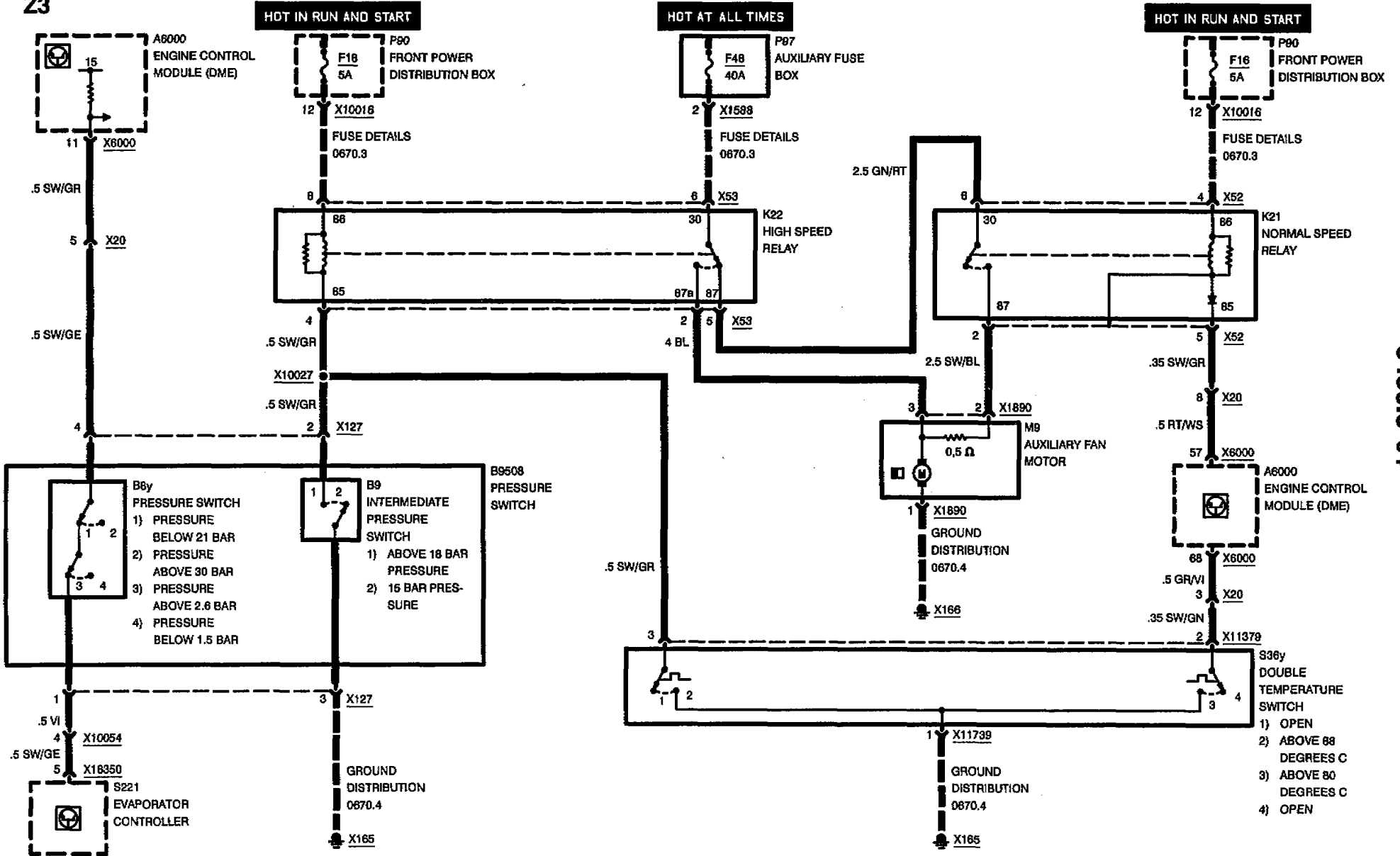
04/97

6450.6-03

1996

AUXILIARY FAN

Z3



04/97

6450.6-04

1996

BMW
3

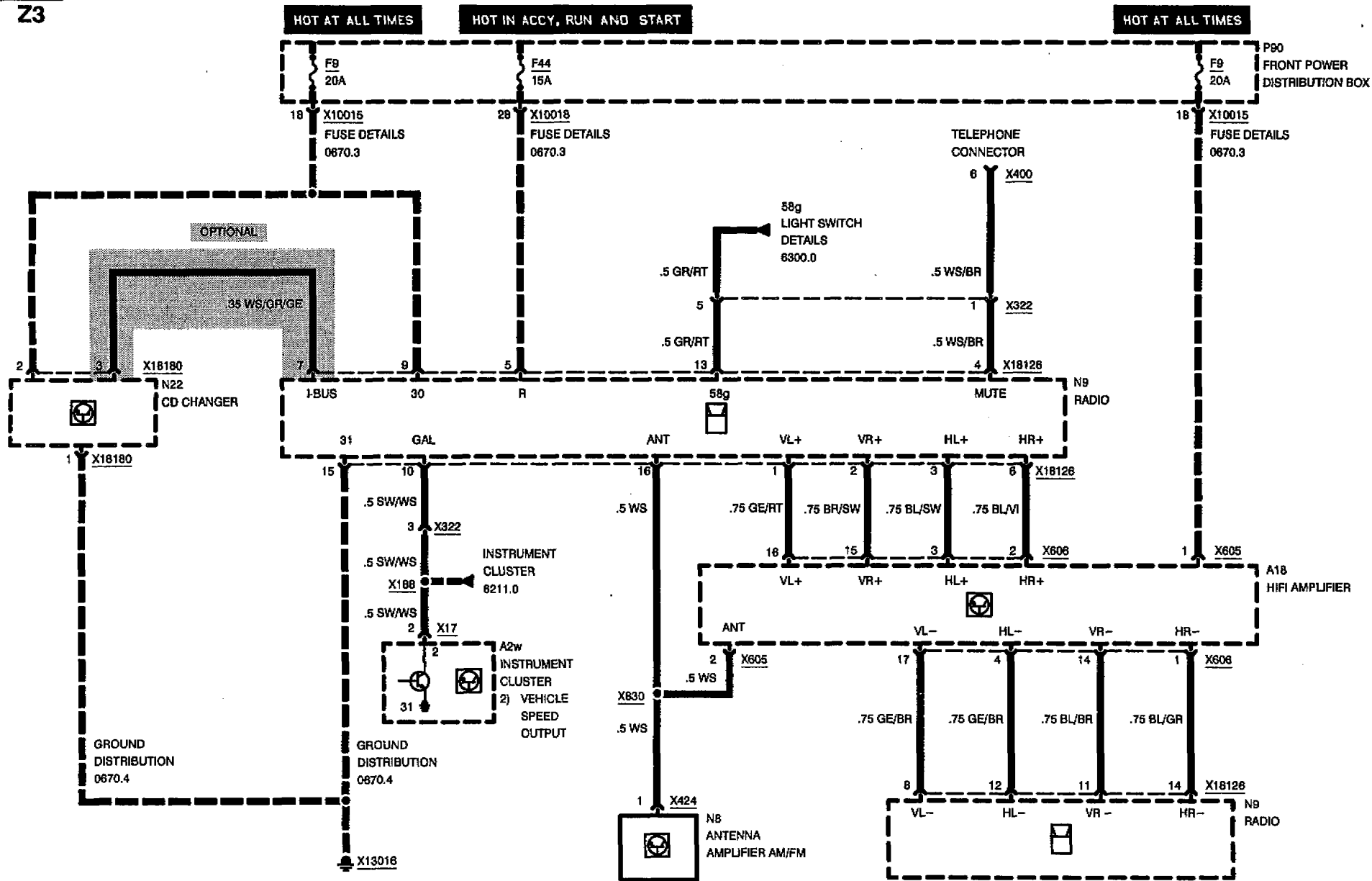
Z3

6510.1



RADIO/HIFI

Z3



04/97

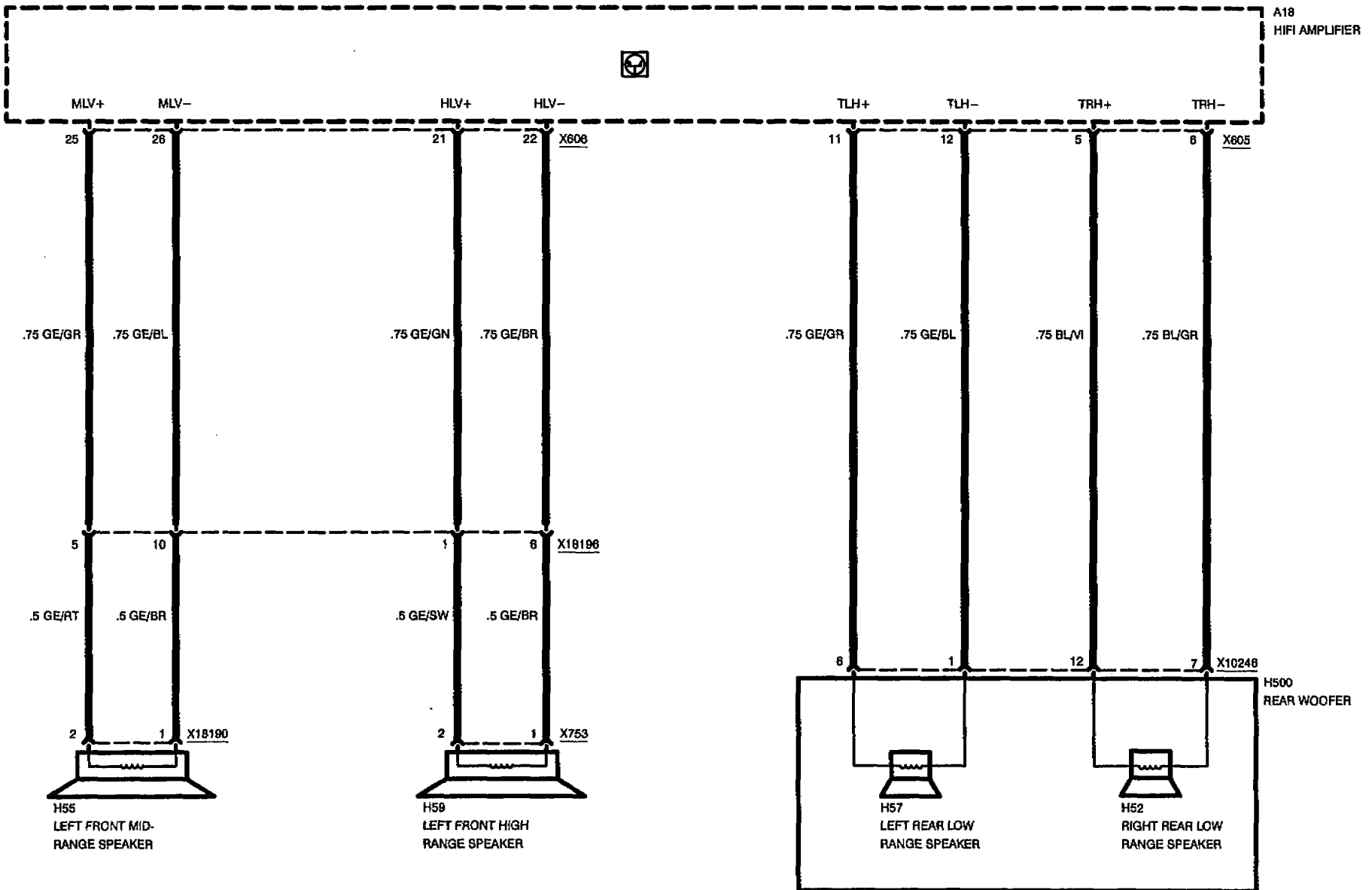
6510.1-00

1996



RADIO/HIFI

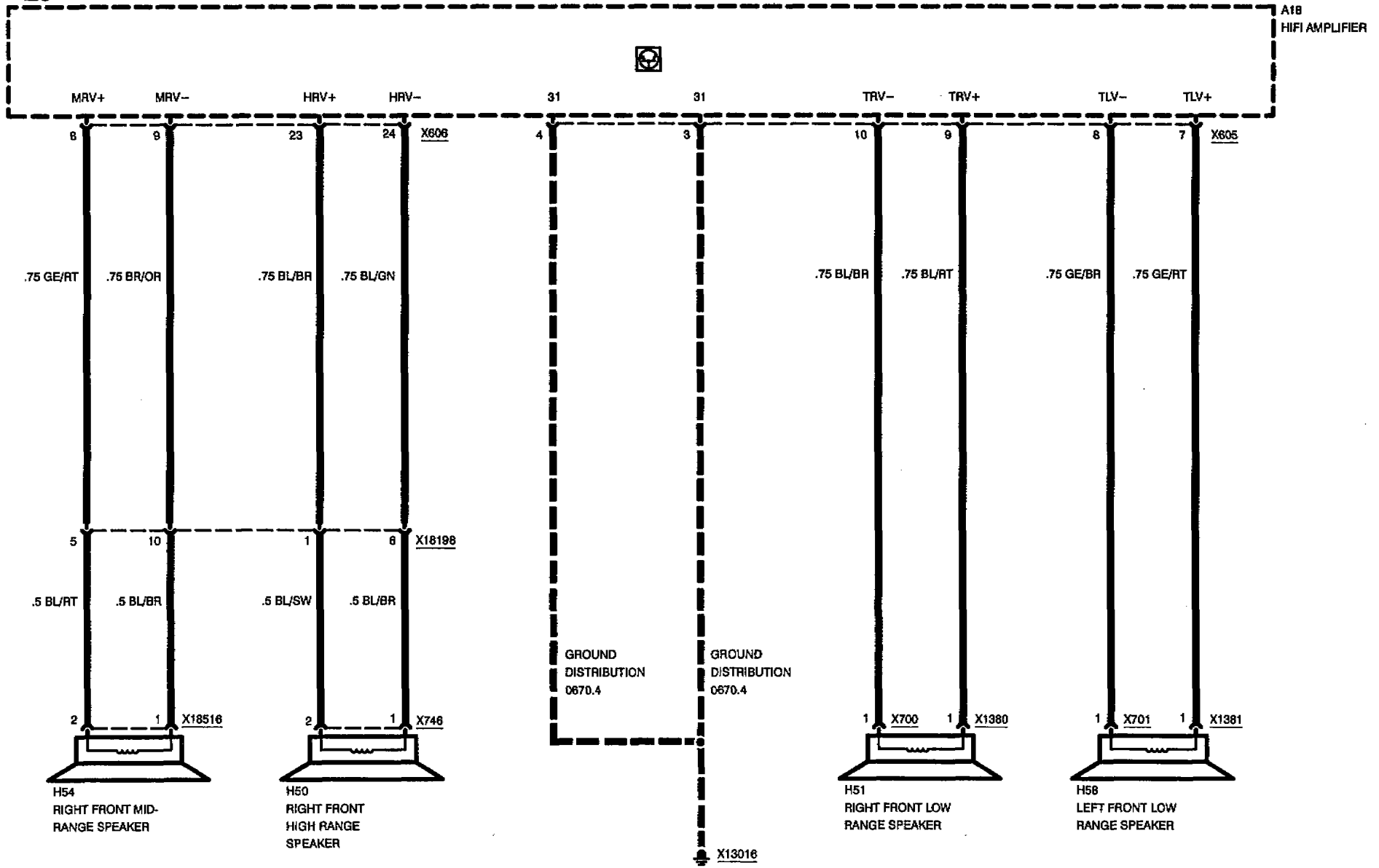
Z3





RADIO/HIFI

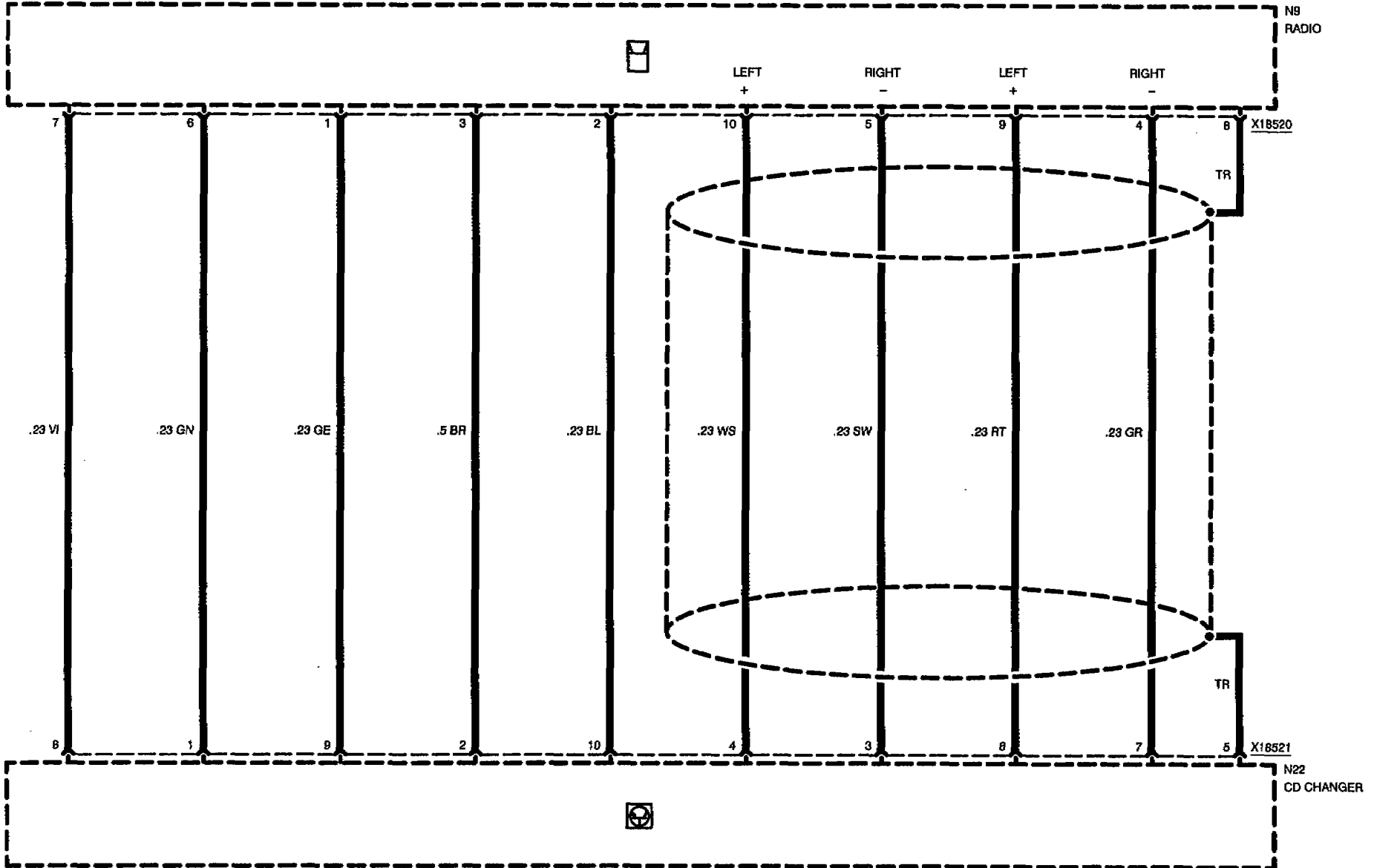
Z3





RADIO/HIFI

Z3



04/97

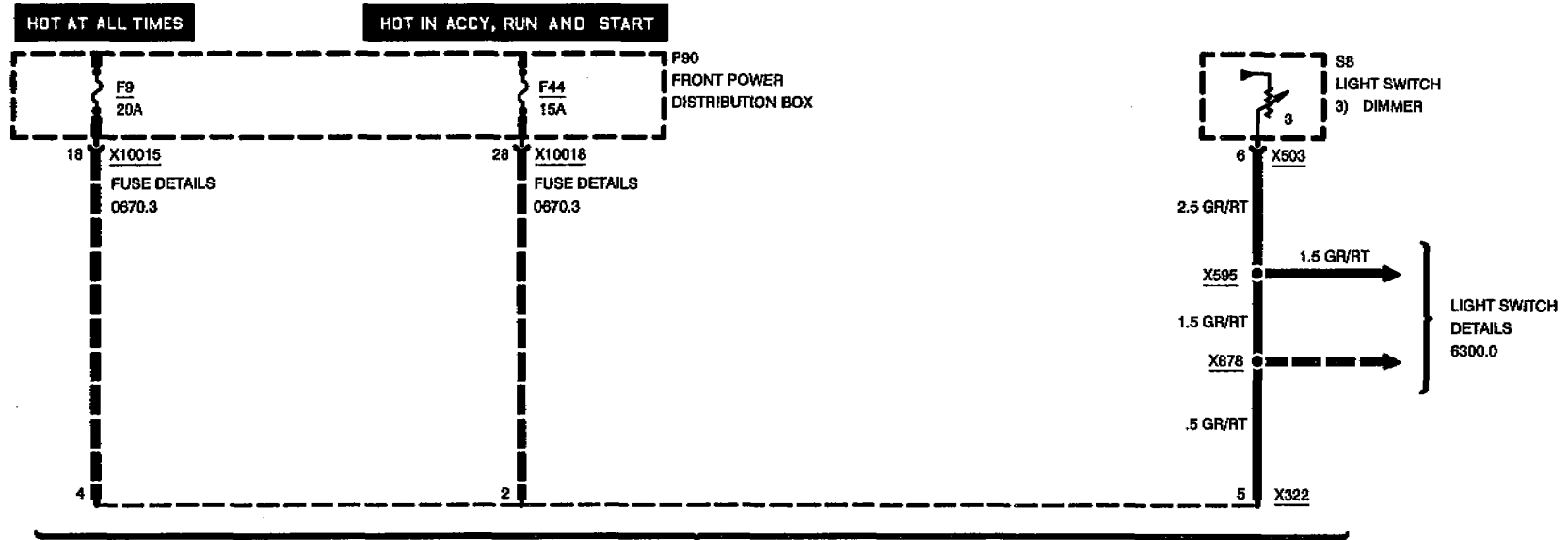
6510.1-03

1996

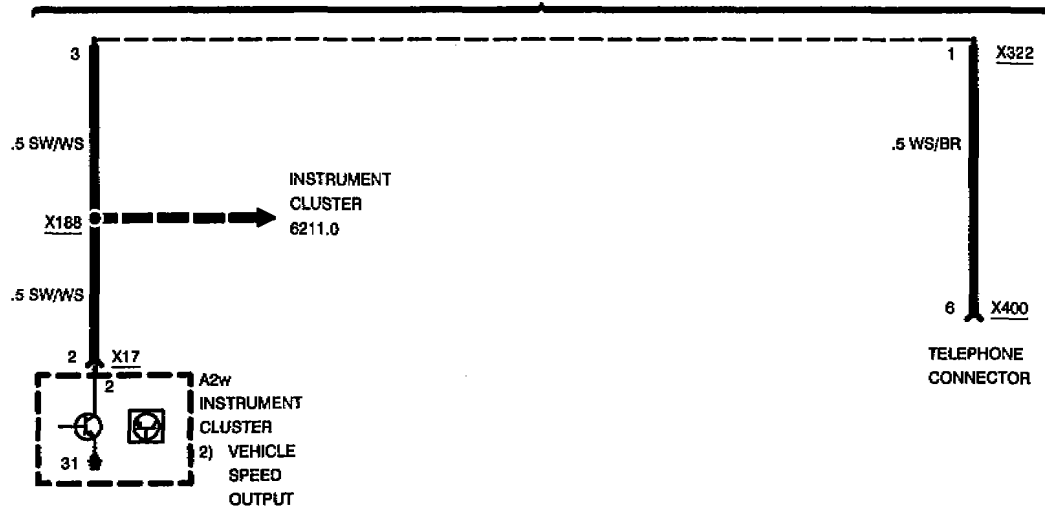


RADIO PROVISIONS

Z3



RADIO CONNECTOR



BMW
3

Z3

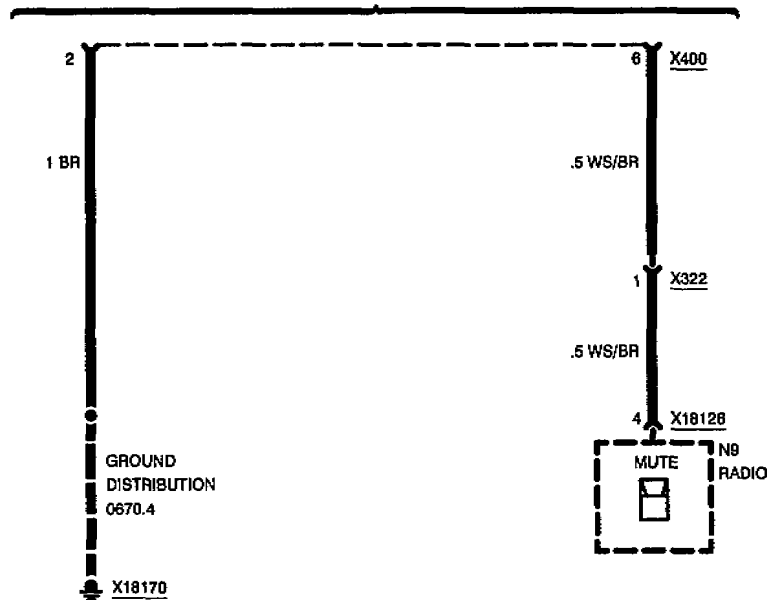
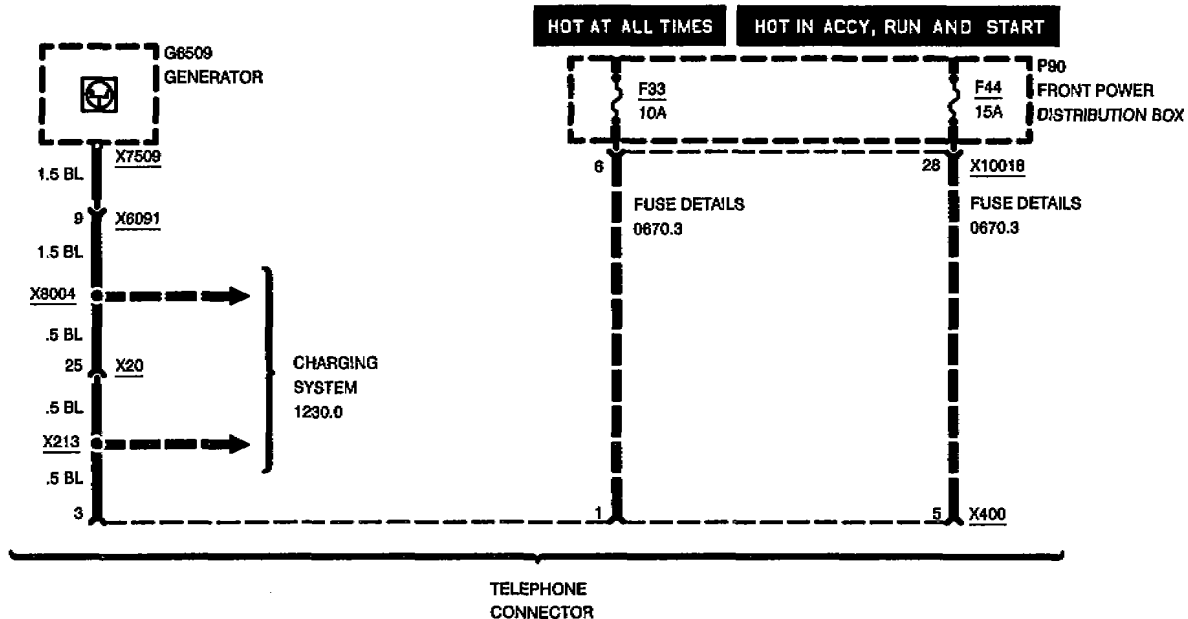
6561.0



Z3

CELLULAR TELEPHONE (PROVISIONS)

PROVISIONS



04/97

6561.0-00

1996

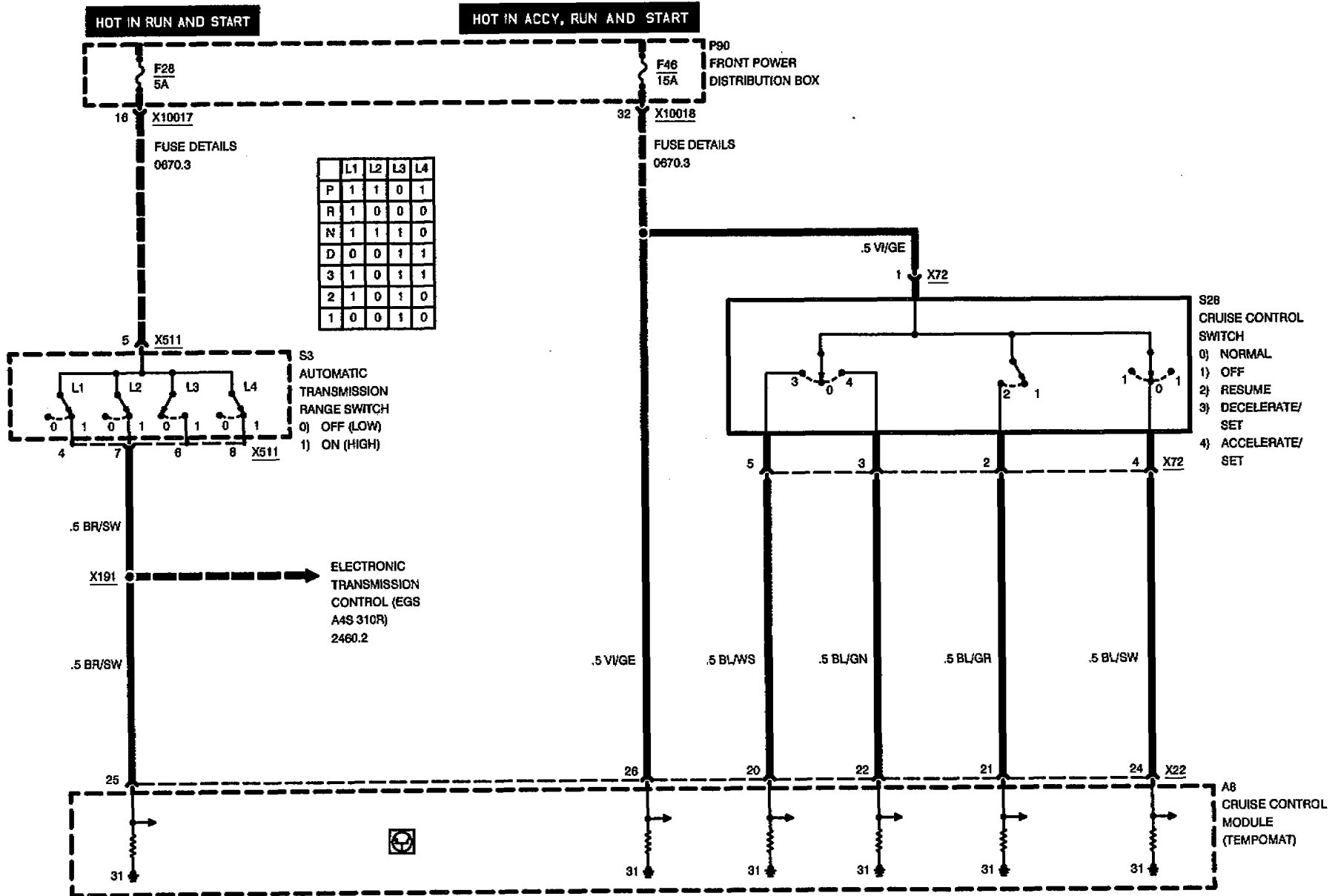
BMW
3
Z3

6571.0



Z3

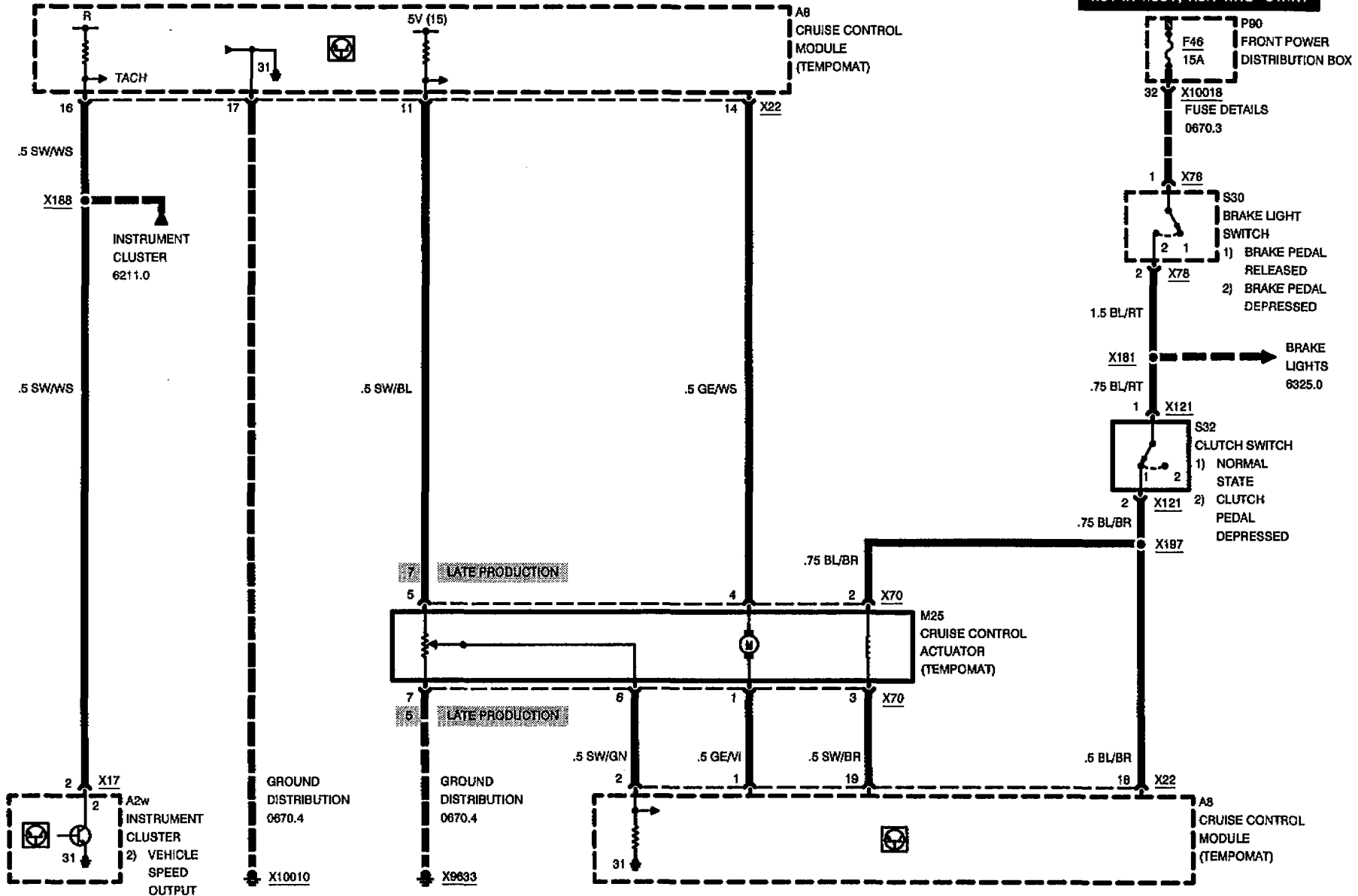
CRUISE CONTROL (TEMPOMAT)





CRUISE CONTROL (TEMPOMAT)

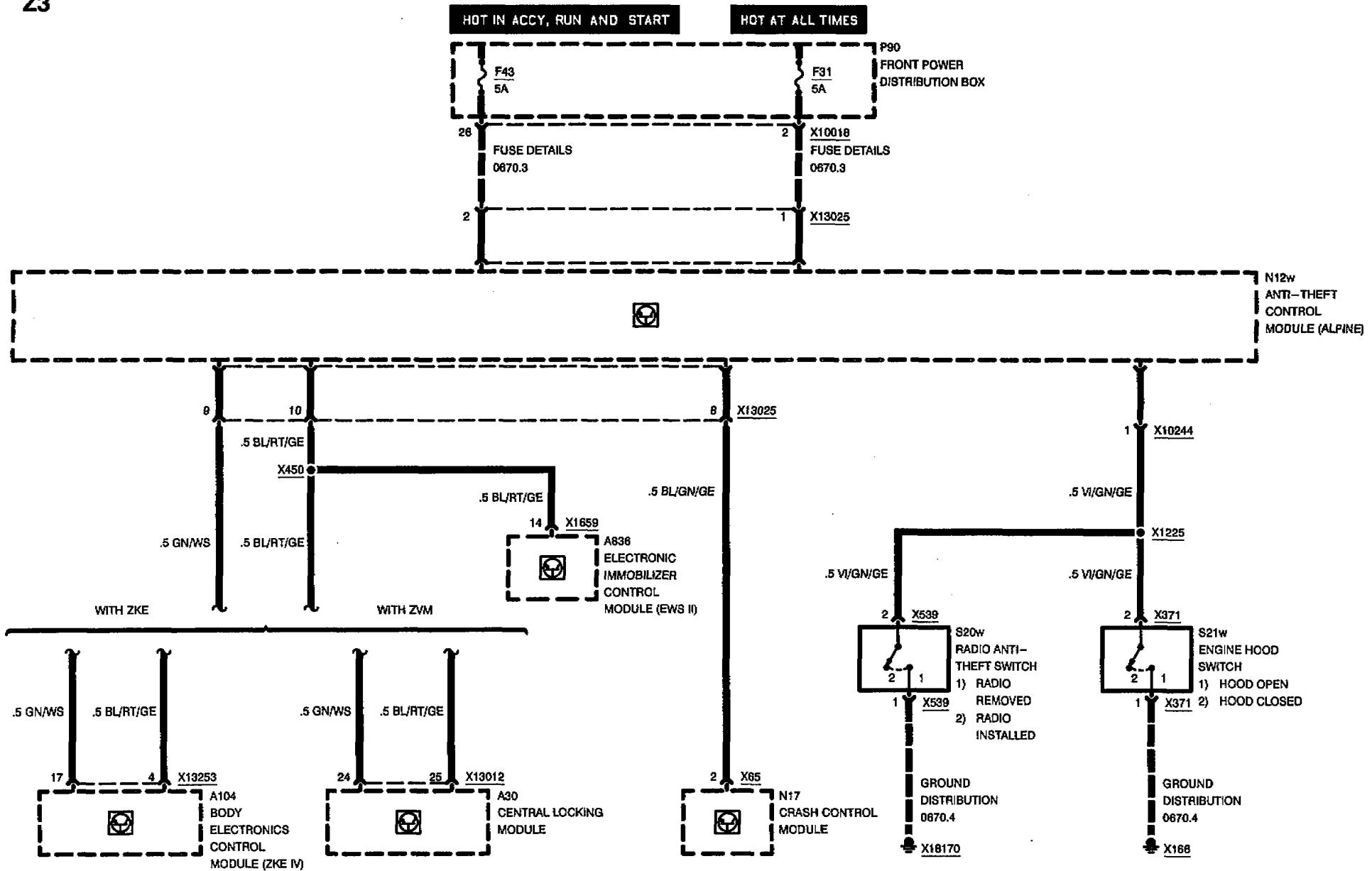
Z3





ANTI-THEFT SYSTEM (ALPINE)

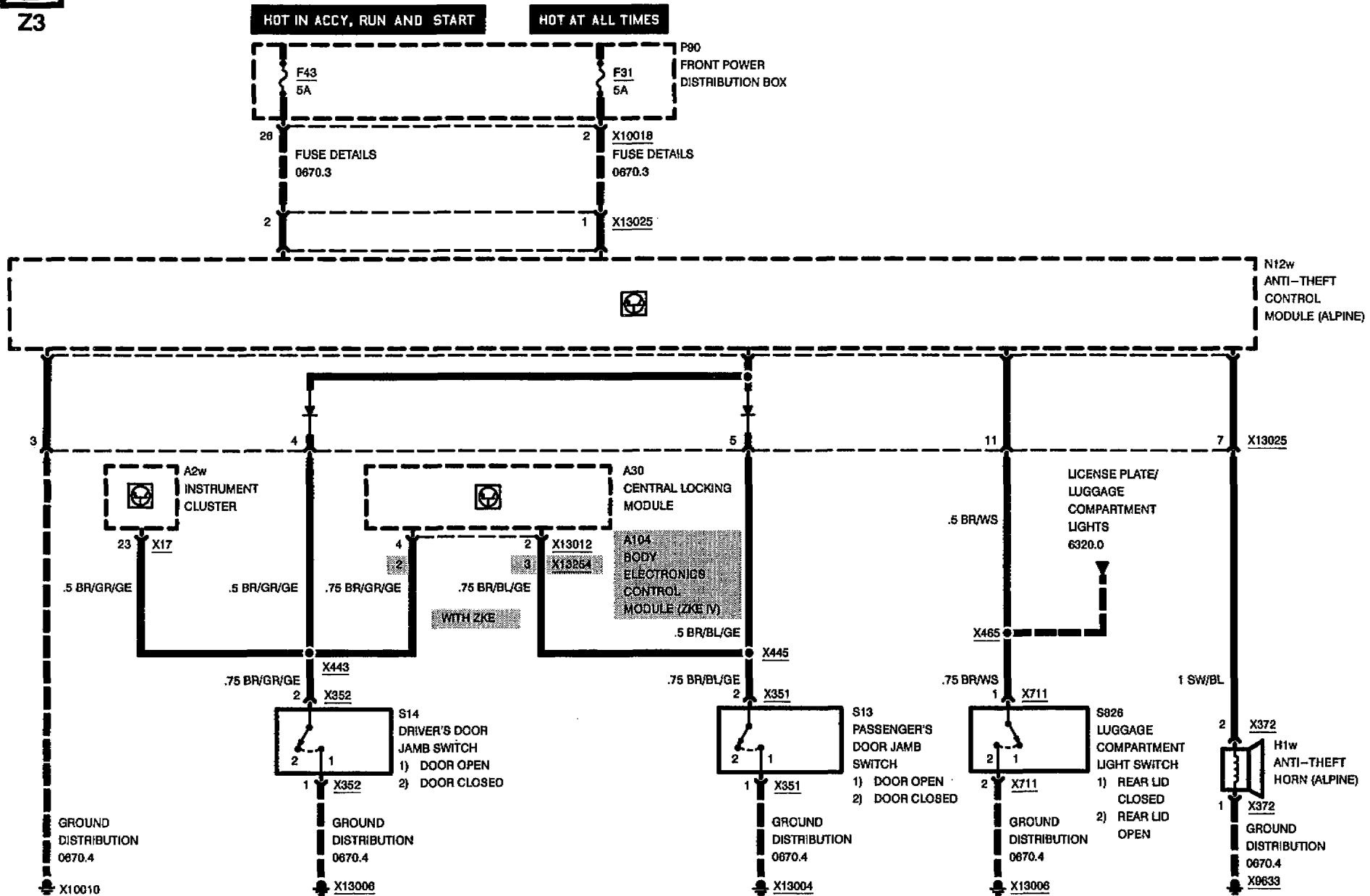
Z3





ANTI-THEFT SYSTEM (ALPINE)

Z3



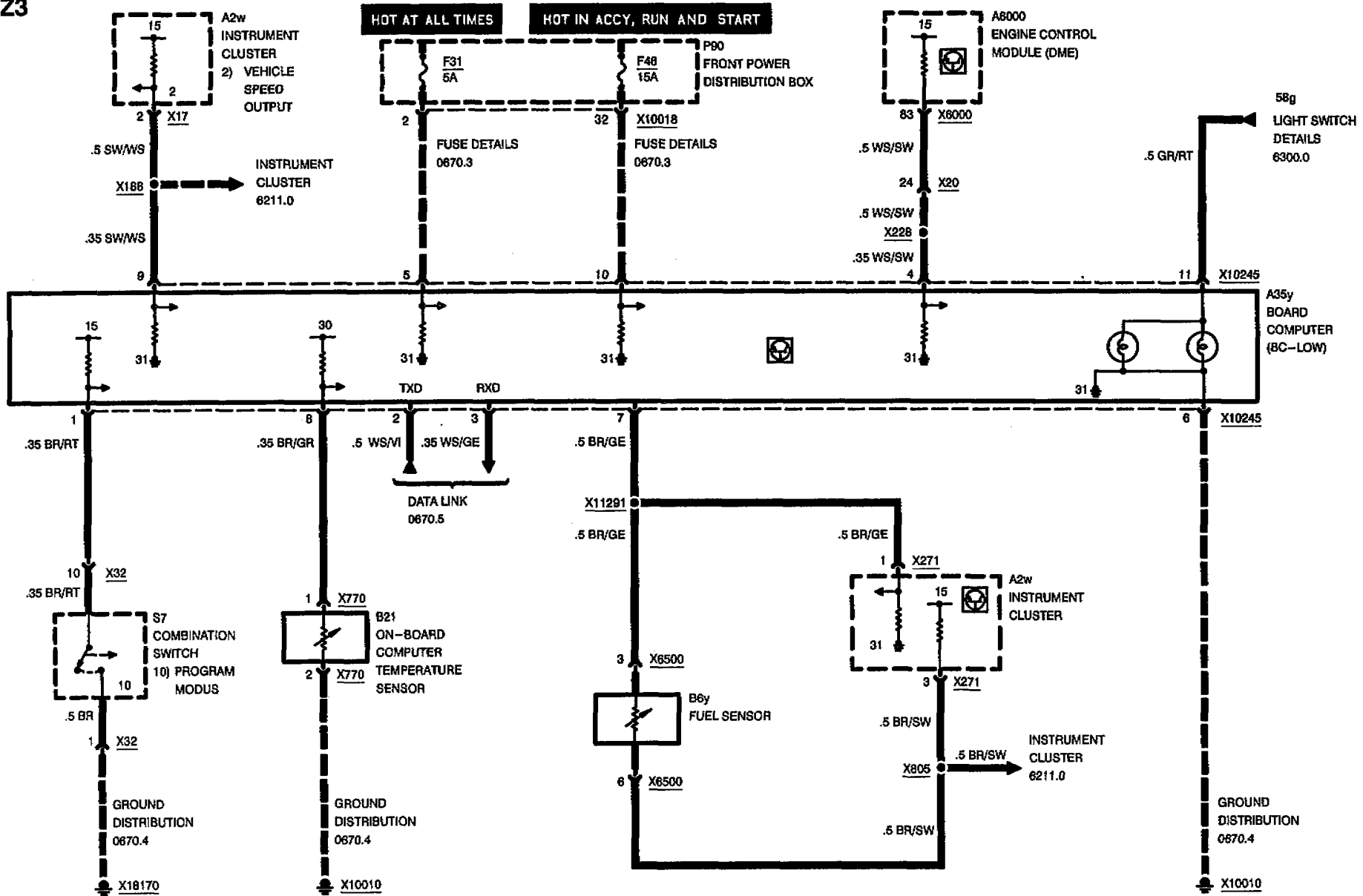
04/97

6575.2-01

1996

BOARD COMPUTER (BC-LOW)

Z3



BMW
3

Z3

7000.0



COMPONENT LOCATION CHART

Z3

COMP.	DESCRIPTION	LOCATION	7100.0	8500.0
A2w	INSTRUMENT CLUSTER	LH side of dash	21-2	
A7	SLIP CONTROL MODULE (ABS)	behind glove box	00-2	
A8	CRUISE CONTROL MODULE (TEMPOMAT)	behind glove box	00-2	
A12	SUPPLEMENTAL RESTRAINT SYSTEM CONTROL MODULE	below center console	23-2	
A18	HIFI AMPLIFIER	in LH side of luggage compartment behind trim panel	35-2	
A30	CENTRAL LOCKING MODULE	behind glove box	00-3	
A35y	BOARD COMPUTER (BC-LOW)	center console	01-3	
A51	WIPER/WASHER MODULE	behind glove box	00-1	
A52	SLIP CONTROL MODULE (ABS/ASC)	behind glove box	00-1	
A64	WIPER/WASHER MODULE (LOW II)	behind glove box	00-2	
A104	BODY ELECTRONICS CONTROL MODULE (ZKE IV)	behind glove box	34-3	
A110	DIGITAL CLOCK	center console	30-2	
A113	SEAT OCCUPANCY DETECTOR	under RH front seat	25-2	
A202	ABS CONTROL MODULE/HYDRAULIC UNIT	rear LH side of engine compartment		
A605	FUSE HOLDER	behind center of dashboard	32-1	
A835	TRANSMITTER MODULE (EWS II)	near steering column	01-2	
A836	ELECTRONIC IMMOBILIZER CONTROL MODULE (EWS II)	behind glove box	00-1	
A6000	ENGINE CONTROL MODULE (DME)	rear RH side of engine compartment in E-Box	01-1	
A8500	TRANSMISSION CONTROL MODULE (EGS)	rear RH side of engine compartment in E-Box	01-1	
B1	RIGHT FRONT SPEED SENSOR - ABS	on RH front wheel, above brake caliper		



COMPONENT LOCATION CHART

Z3

COMP.	DESCRIPTION	LOCATION	7100.0	8500.0
B2	LEFT FRONT SPEED SENSOR – ABS	on LH front wheel, above brake caliper	13-3	
B3	RIGHT REAR SPEED SENSOR – ABS	on RH rear wheel, above brake caliper		
B4	LEFT REAR SPEED SENSOR – ABS	on LH rear wheel, above brake caliper		
B6y	FUEL SENSOR	in fuel tank		
B8y	PRESSURE SWITCH	front RH side of engine compartment		
B9y	PRESSURE SWITCH	front RH side of engine compartment		
B10	VEHICLE SPEED SENSOR	on differential	16-2	
B14	EVAPORATOR TEMPERATURE SENSOR	RH side of LH footwell	22-2	
B16	LEFT FRONT BRAKE PAD SENSOR	on LH front wheel, above brake caliper	13-3	
B17	RIGHT REAR BRAKE PAD SENSOR	behind RH rear wheel		
B18	BRAKE FLUID LEVEL SWITCH	rear LH side of engine compartment	09-1	
B21	ON-BOARD COMPUTER TEMPERATURE SENSOR	on front LH wheel well	13-1	
B6203	CRANKSHAFT POSITION/RPM SENSOR	rear LH side of engine compartment	10-2	
B6205	INTAKE AIR TEMPERATURE SENSOR	front LH side of engine compartment	12-2	
B6209	HALL EFFECT CAMSHAFT SENSOR	front of engine		
B6217	HOT FILM AIR MASS METER	front LH side of engine compartment	10-1	
B6231	OIL PRESSURE SWITCH	lower LH side of engine		
B6232	ENGINE COOLANT TEMPERATURE SENSOR	front of engine	11-2	
B6241z	KNOCK SENSOR 1	top front of engine	11-2	
B9508	PRESSURE SWITCH	front RH side of engine compartment	07-2	



COMPONENT LOCATION CHART

Z3

COMP.	DESCRIPTION	LOCATION	7100.0	8500.0
B62001	OXYGEN SENSOR (IN FRONT OF CATALYTIC CONVERTER)	under center of car	15-3	
B62002	OXYGEN SENSOR (BEHIND CATALYTIC CONVERTER)	under center of car		
C101	CONTACT RING	top of steering column	34-2	
D100	DATA LINK CONNECTOR	rear RH side of engine compartment		
D110	OBD II CONNECTOR	center console right	29-3	
E7	LEFT HEADLIGHT	front LH side of engine compartment		
E8	RIGHT HEADLIGHT	front RH side of engine compartment		
E11	LEFT HIGH BEAM LIGHT	near front LH headlight	06-1	
E12	RIGHT HIGH BEAM LIGHT	near front RH headlight		
E13	LEFT LOW BEAM LIGHT	near front LH headlight	06-1	
E14	RIGHT LOW BEAM LIGHT	near front RH headlight	06-3	
E15	LEFT PARK LIGHT	LH front of vehicle		
E16	LEFT REAR LIGHT ASSEMBLY	LH side of body rear end		
E17	RIGHT REAR LIGHT ASSEMBLY	RH side of body rear end	35-3	
E19	RIGHT PARK LIGHT	RH front of vehicle		
E21	LEFT FRONT MARKER LIGHT	front of vehicle		
E22	RIGHT FRONT MARKER LIGHT	front of vehicle		
E25	FRONT ASHTRAY LIGHT	center console		
E26	LEFT FOG LIGHT	under LH front bumper		
E27	RIGHT FOG LIGHT	under RH front bumper	14-2	



COMPONENT LOCATION CHART

Z3

COMP.	DESCRIPTION	LOCATION	7100.0	8500.0
E28 ...	FRONT CIGAR LIGHTER	center console		
E29 ...	FRONT CIGAR LIGHTER LIGHT	center console	23-3	
E32 ...	TRUNK COMPARTMENT LIGHT	in luggage compartment	35-1	
E43 ...	LEFT LICENSE PLATE LIGHT	underside of trunk lid, near license plate		
E44 ...	RIGHT LICENSE PLATE LIGHT	underside of trunk lid, near license plate		
E51 ...	LEFT WASHER JET HEATER	on underside of engine hood	17-2	
E52 ...	RIGHT WASHER JET HEATER	on underside of engine hood	17-2	
E56 ...	DRIVER'S SEATBACK HEATER	in top of LH backrest		
E57 ...	DRIVER'S SEAT HEATER	under LH front seat		
E58 ...	PASSENGER'S SEAT HEATER	underside of RH front seat		
E59 ...	PASSENGER'S SEATBACK HEATER	in top of RH backrest		
E82 ...	TRANSMISSION POSITION INDICATOR LIGHT	center console	23-1	
E99 ...	HARD TOP CONNECTOR 1	near LH rear wheel well		
E105 .	HEAT/A/C CONTROL PANEL ILLUMINATION .	center of dash	22-3	
E106 .	HEAT/A/C CONTROL PANEL ILLUMINATION .	center of dash	22-3	
E800 .	FRONT LEFT INTERIOR LIGHT	near interior rear view mirror		
F97 ...	FUSIBLE LINK	in luggage compartment near battery	35-3	
G1 ...	BATTERY	rear RH side of engine compartment (EARLY PRODUCTION)	33-1	
G1 ...	BATTERY	in RH side of luggage compartment (LATE PRODUCTION)	35-3	
G5 ...	DRIVER'S AIR BAG GAS GENERATOR	behind steering wheel		
G6 ...	PASSENGER'S AIR BAG GAS GENERATOR	behind glove box above		



COMPONENT LOCATION CHART

Z3

COMP.	DESCRIPTION	LOCATION	7100.0	8500.0
G12 ..	DRIVER'S SIDE PYROTECHNICAL BELT TENSIONER	under rear storage compartment	32-2	
G13 ..	PASSENGER'S SIDE PYROTECHNICAL BELT TENSIONER	under rear storage compartment	32-2	
G6430	B+ JUMP START JUNCTION POINT	rear RH side of engine compartment	33-2	
G6509	GENERATOR	front LH side of engine compartment	02-3	
H1w ..	ANTI-THEFT HORN (ALPINE)	rear LH side of engine compartment	09-1	
H2 ...	LEFT HORN	under LH front bumper		
H3 ...	RIGHT HORN	RH front of wheel well	14-2	
H4 ...	RIGHT FRONT TURN LIGHT	RH front of vehicle		
H5 ...	RIGHT REAR TURN LIGHT	RH side of body rear end		
H6 ...	LEFT REAR TURN LIGHT	LH side of body rear end		
H7 ...	LEFT FRONT TURN LIGHT	LH front of vehicle		
H8 ...	RIGHT FRONT AUXILIARY TURN LIGHT ...	front of vehicle		
H9 ...	LEFT FRONT AUXILIARY TURN LIGHT	front of vehicle		
H10 ..	CHIME MODULE	below LH side of dash	30-1	
H34 ..	HIGH LEVEL STOP LIGHT	on lift gate	35-1	
H50 ..	RIGHT FRONT HIGH RANGE SPEAKER ...	in upper RH front door		
H51 ..	RIGHT FRONT LOW RANGE SPEAKER	in lower RH A-pillar	30-3	
H52 ..	RIGHT REAR LOW RANGE SPEAKER	in rear speaker box		
H54 ..	RIGHT FRONT MIDRANGE SPEAKER	in upper RH front door		
H55 ..	LEFT FRONT MIDRANGE SPEAKER	in upper LH front door		



COMPONENT LOCATION CHART

Z3

COMP.	DESCRIPTION	LOCATION	7100.0	8500.0
H57 ..	LEFT REAR LOW RANGE SPEAKER	in rear speaker box		
H58 ..	LEFT FRONT LOW RANGE SPEAKER	in lower LH A-pillar		
H59 ..	LEFT FRONT HIGH RANGE SPEAKER	in upper LH front door		
H500 .	REAR WOOFER	in rear speaker box		
K2	HORN RELAY	rear LH side of engine compartment in Power Distribution Box	09-2	
K4	BLOWER RELAY	rear LH side of engine compartment in Power Distribution Box	09-2	
K9	UNLOADER RELAY, TERMINAL 15	rear LH side of engine compartment in Power Distribution Box	09-3	
K10 ...	ABS RELAY	rear LH side of engine compartment in Power Distribution Box	09-3	
K16 ...	HAZARD FLASHER RELAY	rear LH side of engine compartment in Power Distribution Box	09-2	
K19 ...	COMPRESSOR CONTROL RELAY	rear LH side of engine compartment in Power Distribution Box	09-3	
K21 ...	NORMAL SPEED RELAY	rear LH side of engine compartment in Power Distribution Box	09-3	
K22 ...	HIGH SPEED RELAY	rear LH side of engine compartment in Power Distribution Box	09-3	
K46 ...	HIGH BEAM LIGHT RELAY	footwell, driver's side	20-1	
K47 ...	FRONT FOG LIGHT RELAY	rear LH side of engine compartment in Power Distribution Box	09-2	
K48 ...	LOW BEAM LIGHT RELAY	rear LH side of engine compartment in Power Distribution Box	09-2	
K75 ...	ABS PUMP MOTOR RELAY	rear LH side of engine compartment in Power Distribution Box	09-3	
K78 ...	COMFORT RELAY	footwell, driver's side	20-1	
K6300	ENGINE CONTROL MODULE RELAY	rear RH side of engine compartment in E-Box (EARLY PRODUCTION)	01-1	
K6300	ENGINE CONTROL MODULE RELAY	rear RH side of engine compartment in E-Box (LATE PRODUCTION)	33-1	
K6301w	FUEL PUMP RELAY	rear RH side of engine compartment in E-Box (EARLY PRODUCTION)	01-1	
K6301w	FUEL PUMP RELAY	rear RH side of engine compartment in E-Box (LATE PRODUCTION)	33-1	
K6324	STARTER INTERLOCK RELAY	rear RH side of engine compartment in E-Box	01-1	

04/97

7000.0-5

1996



COMPONENT LOCATION CHART

Z3

COMP.	DESCRIPTION	LOCATION	7100.0	8500.0
K6326	UNLOADER RELAY, TERMINAL 15	rear RH side of engine compartment in E-Box	33-1	
M2	FUEL PUMP	In fuel tank		
M3	WIPER MOTOR	rear of engine compartment		
M4	WASHER PUMP	front RH side of engine compartment on washer fluid reservoir		
M7	HEADLIGHT/FOG LIGHT WASHER PUMP ..	front RH side of engine compartment on washer fluid reservoir		
M9	AUXILIARY FAN MOTOR	behind front grille		
M12	DRIVER'S DOOR LOCK MOTOR	driver's door		
M13	PASSENGER'S DOOR LOCK MOTOR	passenger's door		
M17	TRUNK LOCK MOTOR	rear side of luggage compartment behind trim panel		
M21	DRIVER'S WINDOW MOTOR	in driver's door	18-2	
M23	PASSENGER'S WINDOW MOTOR	in passenger's door	19-3	
M25	CRUISE CONTROL ACTUATOR (TEMPOMAT)	rear LH side of engine compartment	08-3	
M30	BLOWER MOTOR	rear of engine compartment		
M51	DRIVER'S SEAT MOVEMENT MOTOR	under LH front seat	26-1	
M52	DRIVER'S SEAT HEIGHT MOTOR	under LH front seat	26-1	
M59	PASSENGER'S SEAT HEIGHT MOTOR	under RH front seat	25-2	
M60	PASSENGER'S SEAT MOVEMENT MOTOR	under RH front seat	25-2	
M111	FRESH AIR -RECIRCULATION -MOTOR ..	RH side of LH footwell	22-2	
M6506	E-BOX FAN	rear LH side of engine compartment in E-Box	08-1	
M6510	STARTER	rear LH side of engine compartment	02-2	
N8	ANTENNA AMPLIFIER AM/FM	in LH side of luggage compartment behind trim panel		
N9	RADIO	center console		



COMPONENT LOCATION CHART

Z3

COMP.	DESCRIPTION	LOCATION	7100.0	8500.0
N12w	ANTI-THEFT CONTROL MODULE (ALPINE)	behind glove box		
N17	CRASH CONTROL MODULE	footwell, driver's side	20-1	
N22	CD CHANGER	in LH forward side of luggage compartment		
P90	FRONT POWER DISTRIBUTION BOX	rear LH side of engine compartment		
P97	AUXILIARY FUSE BOX	below LH side of dash		
R11	BLOWER RESISTORS	behind center of dashboard		
R6252	THROTTLE POSITION SENSOR	front of engine	11-3	
S2	IGNITION SWITCH	LH side of dash	34-1	
S3	AUTOMATIC TRANSMISSION RANGE SWITCH	center console	23-1	
S4	HORN SWITCH	on steering wheel		
S5	WIPER/WASHER SWITCH	LH side of dash RH side of steering column above		
S6	ASC SWITCH	center console	32-3	
S7	COMBINATION SWITCH	LH side of dash LH side of steering column above		
S8	LIGHT SWITCH	LH side of dash		
S10	FOG LIGHT SWITCH	LH side of dash		
S13	PASSENGER'S DOOR JAMB SWITCH	RH B-pillar	27-1	
S14	DRIVER'S DOOR JAMB SWITCH	LH B-pillar	28-1	
S17	MIRROR CONTROL SWITCH	in upper LH front door		
S18	HAZARD SWITCH	center console bottom	32-3	
S20w	RADIO ANTI-THEFT SWITCH	center console		
S21w	ENGINE HOOD SWITCH	near LH headlight assembly	06-1	



COMPONENT LOCATION CHART

Z3

COMP.	DESCRIPTION	LOCATION	7100.0	8500.0
S27 ...	INERTIA SWITCH	behind RH footwell speaker grille	24-3	
S28 ...	CRUISE CONTROL SWITCH	LH side of dash RH side of steering column above	34-1	
S30 ...	BRAKE LIGHT SWITCH	LH footwell	21-1	
S31 ...	PARK BRAKE SWITCH	center console on rear of park brake lever	31-3	
S32 ...	CLUTCH SWITCH	LH footwell	21-1	
S36 ...	TEMPERATURE SWITCH	front RH side of engine compartment	07-1	
S36y .	DOUBLE TEMPERATURE SWITCH	front RH side of engine compartment	07-1	
S47 ...	DRIVER'S DOOR LOCK SWITCH	in driver's door	18-1	
S49 ...	PASSENGER'S DOOR LOCK SWITCH	in passenger's door		
S51 ...	DRIVER'S SEAT, SEAT CONTROL SWITCH	LH front seat		
S53 ...	DRIVER'S SEAT, SEAT HEATER SWITCH	center console	24-1	
S54 ...	PASSENGER'S SEAT, SEAT HEATER SWITCH	center console	24-1	
S56 ...	PASSENGER'S SEAT, SEAT CONTROL SWITCH	RH front seat		
S58 ...	DRIVER'S SEAT BELT SWITCH	in LH front seat belt buckle		
S59 ...	PASSENGER'S SEAT BELT SWITCH	in RH front seat belt buckle		
S75 ...	BLOWER SWITCH	center of dash	22-3	
S76 ...	REAR WINDOW DEFOGGER SWITCH	center console		
S126y	DRIVER'S POWER WINDOW SWITCH	center console near gearshift lever		
S127y	PASSENGER'S POWER WINDOW SWITCH	center console near gearshift lever		
S198 .	JET HEATER THERMOSWITCH	on front LH wheel well	13-1	



COMPONENT LOCATION CHART

Z3

COMP.	DESCRIPTION	LOCATION	7100.0	8500.0
S220	AIR CONDITIONING/RECIRCULATING SWITCH ASSEMBLY	center console	01-3	
S221	EVAPORATOR CONTROLLER	RH side of LH footwell	22-2	
S408	SIDE LIGHT SWITCH	near interior rear view mirror	29-2	
S531	TEMPERATURE WHEEL SWITCH	center of dash	22-3	
S826	LUGGAGE COMPARTMENT LIGHT SWITCH	underside of trunk lid	18-3	
S8503	PROGRAM SWITCH	center console	23-1	
S8507	KICK-DOWN SWITCH	behind gas pedal	20-3	
S8511	REVERSING LIGHT SWITCH	LH side of transmission	15-2	
T6151	CYL. 1 IGNITION COIL	RH side of engine compartment		
T6152	CYL. 2 IGNITION COIL	RH side of engine compartment		
T6153	CYL. 3 IGNITION COIL	RH side of engine compartment		
T6154	CYL. 4 IGNITION COIL	RH side of engine compartment		
X0	B+ JUNCTION POINT	rear LH side of engine compartment in Power Distribution Box	02-1	
X2	BATTERY B+ START POINT	rear LH side of engine compartment in Power Distribution Box		
X11	(42 PINS, BLACK)	behind glove box	00-2	09-4
X16	(26 PINS, NATURAL)	LH side of dash rear side of instrument cluster, A2w	21-2	00-3
X17	(26 PINS, BLUE)	LH side of dash rear side of instrument cluster, A2w	21-2	00-3
X20	(25 PINS, BLACK)	rear LH side of engine compartment	08-3	04-4
X22	(26 PINS, BLUE)	behind glove box	00-2	00-3
X31	(12 PINS, BLACK)	rear LH side of engine compartment	08-2	01-6
X32	(12 PINS, NATURAL)	on steering column	20-2	02-4



COMPONENT LOCATION CHART

Z3

COMP.	DESCRIPTION	LOCATION	7100.0	8500.0
X33 ...	(12 PINS, BLACK)	on steering column	20-2	02-4
X44 ...	(9 PINS, BLACK)	Power Distribution Box rear LH side of engine compartment		03-4
X45 ...	(9 PINS, BLACK)	Power Distribution Box rear LH side of engine compartment		03-4
X51 ...	(9 PINS, BLACK)	Power Distribution Box rear LH side of engine compartment		03-4
X52 ...	(9 PINS, BLACK)	Power Distribution Box rear LH side of engine compartment		03-4
X53 ...	(9 PINS, BLACK)	Power Distribution Box rear LH side of engine compartment		03-4
X54 ...	(9 PINS, BLACK)	Power Distribution Box rear LH side of engine compartment		03-4
X56 ...	(9 PINS, BLACK)	Power Distribution Box rear LH side of engine compartment		03-4
X58 ...	(9 PINS, BLACK)	Power Distribution Box rear LH side of engine compartment		03-4
X63 ...	(9 PINS, BLACK)	Power Distribution Box rear LH side of engine compartment		03-4
X64 ...	(9 PINS, BLACK)	Power Distribution Box rear LH side of engine compartment		03-4
X65 ...	(9 PINS, BLACK)	below LH side of dash		03-4
X69 ...	(25 PINS, BLACK)	rear LH side of engine compartment	08-3	04-4
X70 ...	(7 PINS, BLACK)	rear LH side of engine compartment (EARLY PRODUCTION)	08-3	00-2
X70 ...	(8 PINS, BLACK)	rear LH side of engine compartment (LATE PRODUCTION)		05-6
X72 ...	(6 PINS, NATURAL)	on steering column	20-2	05-3
X74 ...	(30 PINS, ORANGE)	below center console	23-2	08-4
X78 ...	(4 PINS, BLACK)	on steering column	21-1	03-1
X82 ...	(3 PINS, BLACK)	under radiator	14-1	05-5
X85 ...	(3 PINS, BLACK)	rear LH side of engine compartment	12-1	05-5
X87 ...	(3 PINS, BLACK)	RH top of radiator	07-1	05-5
X105 ...	(2 PINS, GRAY)	on underside of engine hood	17-2	



COMPONENT LOCATION CHART

Z3

COMP.	DESCRIPTION	LOCATION	7100.0	8500.0
X106	(2 PINS, GRAY)	on underside of engine hood	17-2	
X107	(2 PINS, GRAY)	front RH side of engine compartment on washer fluid reservoir		
X111	(2 PINS, BLACK)	rear LH side of engine compartment	09-1	
X113	(3 PINS, GRAY)	behind RH front wheel	14-3	06-3
X114	(3 PINS, GRAY)	behind LH front wheel	13-2	06-3
X118	(2 PINS, BLACK)	behind LH front wheel	13-2	
X121	(2 PINS, WHITE)	LH footwell	21-1	
X123	(2 PINS, GRAY)	front RH side of engine compartment		
X127	(4 PINS, GRAY)	front RH side of engine compartment	07-2	05-4
X128	(3 PINS, BLACK)	front LH side of engine compartment	12-2	02-5
X129	(2 PINS, GRAY)	near front LH headlight	06-2	
X130	(2 PINS, GRAY)	near front LH headlight	06-2	
X131	(2 PINS, BLACK)	near front LH headlight	06-2	
X132	(2 PINS, BLACK)	on front LH wheel well	13-1	
X133	(2 PINS, BLACK)	on front LH wheel well	14-2	
X134	(2 PINS, BLACK)	near front RH headlight	06-3	
X135	(2 PINS, GRAY)	near front RH headlight	06-3	
X136	(2 PINS, GRAY)	near front RH headlight	06-3	
X137	(3 PINS, BLACK)	front RH side of engine compartment	07-3	02-5
X142	(2 PINS, GRAY)	under LH rear of car	17-1	
X143	(2 PINS, GRAY)	under RH rear of car	16-3	



COMPONENT LOCATION CHART

Z3

COMP.	DESCRIPTION	LOCATION	7100.0	8500.0
X163	(3 PINS, BLACK)	front RH side of engine compartment on washer fluid reservoir near RH headlight assembly	07-2	05-5
X165	GROUND	front RH side of engine compartment	04-2	
X166	GROUND	front LH side of engine compartment	05-1	
X168	(1 PIN, ---)	LH side of steering column		
X170	GROUND	behind LH footwell speaker grille	03-2	
X256	(26 PINS, BLACK)	RH A-pillar	19-1	03-5
X257	(26 PINS, BLACK)	LH A-pillar	17-3	03-5
X271	(12 PINS, BLACK)	LH side of dash rear side of instrument cluster, A2w	21-2	01-3
X275	(4 PINS, NATURAL)	under LH front seat	26-2	03-1
X279	(6 PINS, WHITE)	under RH front seat (EARLY PRODUCTION)	25-3	05-3
X279	(4 PINS, NATURAL)	under RH front seat (LATE PRODUCTION)	25-3	03-1
X285	(15 PINS, BLUE)	behind glove box	00-2	05-1
X295	(8 PINS, BLACK)	on steering column	20-2	03-3
X311	(3 PINS, BLACK)	in luggage compartment lid	29-1	04-3
X315	(2 PINS, BLACK)	in luggage compartment lid	29-1	
X316	(6 PINS, WHITE)	center console near gearshift lever		01-4
X318	(8 PINS, BLACK)	in RH rear side of luggage compartment behind RH rear light assembly	35-3	02-1
X319	(8 PINS, BLACK)	in LH side of luggage compartment behind trim panel		02-1
X322	(6 PINS, BLACK)	footwell, driver's side	20-1	03-6
X324	(6 PINS, WHITE)	center console near gearshift lever		01-4
X333	(4 PINS, NATURAL)	rear of engine compartment below center of cowl		03-1

04/97

7000.0-12

1996



COMPONENT LOCATION CHART

Z3

COMP.	DESCRIPTION	LOCATION	7100.0	8500.0
X336	(3 PINS, BLACK)	in upper RH A-pillar		01-1
X351	(3 PINS, BLACK)	RH B-pillar	27-1	01-1
X352	(3 PINS, BLACK)	LH B-pillar	28-1	01-1
X357	(2 PINS, WHITE)	near interior rear view mirror	29-2	
X371	(3 PINS, BLACK)	near front LH headlight	06-1	02-5
X372	(2 PINS, GRAY)	rear LH side of engine compartment	09-1	
X383	(2 PINS, BLACK)	on differential	16-2	
X388	(2 PINS, BLACK)	behind RH footwell speaker grille	24-3	
X389	(2 PINS, BLACK)	LEFT FRONT AUXILIARY TURN LIGHT		
X390	(2 PINS, BLACK)	RIGHT FRONT AUXILIARY TURN LIGHT		
X400	(8 PINS, BLACK)	center console	24-2	02-1
X413	(3 PINS, BLACK)	HIGH LEVEL STOP LIGHT	35-1	01-1
X423	(1 PIN, ---)	below center console on rear of park brake lever	31-3	
X424	(1 PIN, ---)	in LH side of luggage compartment behind trim panel		
X494	GROUND	below center console	03-1	
X503	(12 PINS, BLACK)	LH side of dash	21-3	07-2
X504	(4 PINS, NATURAL)	LH side of dash	21-3	03-1
X511	(8 PINS, BLACK)	center console	23-1	02-1
X516	(5 PINS, BLACK)	center console	32-3	02-6
X521	(6 PINS, BLUE)	center console	32-3	04-5
X522	(3 PINS, NATURAL)	RH side of LH footwell	30-1	04-3
X531	(1 PIN, NATURAL)	center console	23-3	



COMPONENT LOCATION CHART

COMP.	DESCRIPTION	LOCATION	7100.0	8500.0
X532	(2 PINS, BLACK)	center console	23-3	
X539	(2 PINS, BLACK)	center console	32-1	
X605	(12 PINS, BLACK)	in LH side of luggage compartment behind trim panel	35-2	01-5
X606	(26 PINS, BLACK)	in LH side of luggage compartment behind trim panel	35-2	00-3
X623	(4 PINS, BLACK)	in driver's door	18-2	07-1
X624	(4 PINS, BLACK)	in passenger's door	19-3	07-1
X625	(6 PINS, BLACK)	in driver's door	18-2	08-2
X641	(6 PINS, BLACK)	in passenger's door	19-2	07-4
X651	(6 PINS, YELLOW)	center console	24-1	04-5
X658	(6 PINS, YELLOW)	center console	24-1	04-5
X660	(6 PINS, BLACK)	LH front door behind door panel		07-4
X700	(1 PIN, NATURAL)	behind RH footwell speaker grille	24-3	
X701	(1 PIN, NATURAL)	behind LH footwell speaker grille		
X709	(2 PINS, BLACK)	underside of trunk lid, near license plate	31-1	
X710	(2 PINS, BLACK)	underside of trunk lid, near license plate	31-1	
X711	(2 PINS, BLACK)	in luggage compartment lid	29-1	
X712	(1 PIN, BLACK)	in luggage compartment	35-1	
X713	(2 PINS, BLACK)	under RH rear of car	16-3	
X726	(2 PINS, NATURAL)	under LH front seat	26-1	
X728	(2 PINS, BLACK)	under LH front seat	26-1	
X732	(4 PINS, BLACK)	under LH front seat	26-2	03-1
X733	(4 PINS, BLACK)	under LH front seat	26-2	03-1



COMPONENT LOCATION CHART

Z3

COMP.	DESCRIPTION	LOCATION	7100.0	8500.0
X734	(2 PINS, NATURAL)	under RH front seat	25-2	
X737	(2 PINS, BLACK)	under RH front seat	25-2	
X740	(4 PINS, BLACK)	under RH front seat	25-3	03-1
X741	(4 PINS, BLACK)	under RH front seat	25-3	03-1
X742	(2 PINS, YELLOW)	in passenger's door		
X744	(2 PINS, GRAY)	in passenger's door	19-3	
X746	(3 PINS, YELLOW)	in passenger's door	19-3	01-1
X747	(2 PINS, YELLOW)	in driver's door	18-1	
X749	(2 PINS, GRAY)	in driver's door	18-2	
X753	(3 PINS, YELLOW)	in driver's door	18-2	01-1
X766	(2 PINS, BLACK)	LH front of vehicle		
X767	(2 PINS, BLACK)	RH front of vehicle		
X768	(2 PINS, BLACK)	on front LH wheel well	13-1	
X769	(2 PINS, BLACK)	RH front of wheel well	14-2	
X770	(2 PINS, YELLOW)	on front LH wheel well	13-1	
X771	(2 PINS, NATURAL)	RH side of LH footwell	22-2	
X778	(3 PINS, BLACK)	in LH front seat belt buckle (EARLY PRODUCTION)		01-1
X778	(4 PINS, BLACK)	in LH front seat belt buckle (LATE PRODUCTION)		07-1
X782	(3 PINS, ORANGE)	behind glove box above		07-5
X783	(3 PINS, ORANGE)	underside of steering column	34-2	07-5
X898	(8 PINS, BLACK)	under rear storage compartment	27-2	08-3
X904	(4 PINS, BLACK)	RH side of LH footwell	22-1	03-1



COMPONENT LOCATION CHART

COMP.	DESCRIPTION	LOCATION	7100.0	8500.0
X905	(7 PINS, BLACK)	center of dash	22-3	09-3
X1014	(1 PIN, BLACK)	center console	23-3	
X1098	(3 PINS, BLACK)	LH side of dash	21-3	01-1
X1143	(10 PINS, BLACK)	footwell, driver's side	20-1	02-3
X1148	(2 PINS, BLACK)	on front LH wheel well	13-1	
X1161	(9 PINS, BLACK)	Power Distribution Box rear LH side of engine compartment		03-4
X1166	GROUND	behind glove box	04-3	
X1175	(42 PINS, NATURAL)	behind glove box	00-1	09-4
X1176	(25 PINS, BLACK)	rear LH side of engine compartment	08-2	04-4
X1178	(2 PINS, WHITE)	center console	28-2	
X1181	(9 PINS, BLACK)	below LH side of dash		03-4
X1193	(3 PINS, BLACK)	center console	23-1	01-1
X1213	(2 PINS, BLACK)	center console		
X1380	(1 PIN, NATURAL)	behind RH footwell speaker grille	24-3	
X1381	(1 PIN, NATURAL)	behind LH footwell speaker grille		
X1441	GROUND	below center console	03-3	
X1517	(6 PINS, BLACK)	RH side of LH footwell	22-2	09-2
X1588	(2 PINS, BLACK)	below LH side of dash		
X1659	(15 PINS, YELLOW)	behind glove box	00-1	05-1
X1890	(3 PINS, BLACK)	under radiator	14-1	05-5
X5115	(2 PINS, ---)	behind center of dashboard	32-1	
X6000	(88 PINS, BLACK)	rear RH side of engine compartment in E-Box		00-1



COMPONENT LOCATION CHART

Z3

COMP.	DESCRIPTION	LOCATION	7100.0	8500.0
X6002	(20 PINS, BLACK)	rear RH side of engine compartment		04-1
X6031	(12 PINS, BLACK)	rear LH side of engine compartment	08-3	01-6
X6091	(30 PINS, BLACK)	rear of engine compartment on engine bulkhead	11-1	01-2
X6101	(2 PINS, BLACK)	top center of engine		
X6102	(2 PINS, BLACK)	top center of engine		
X6103	(2 PINS, BLACK)	top center of engine		
X6104	(2 PINS, BLACK)	top center of engine		
X6120	(2 PINS, BLACK)	LH side of engine compartment	08-2	
X6130	(3 PINS, BLACK)	front of engine	11-3	06-4
X6131	(2 PINS, BLACK)	front LH side of engine compartment	10-1	
X6150	(7 PINS, BLACK)	rear RH side of engine compartment		04-2
X6151	(3 PINS, GRAY)	top RH side of engine		09-5
X6152	(3 PINS, GRAY)	top RH side of engine		09-5
X6153	(3 PINS, GRAY)	top RH side of engine		09-5
X6154	(3 PINS, GRAY)	top RH side of engine		09-5
X6203	(3 PINS, BLACK)	front of engine below intake manifold		06-4
X6205	(2 PINS, BLACK)	front LH side of engine compartment	12-2	
X6209	(3 PINS, BLACK)	front of engine HALL EFFECT CAMSHAFT SENSOR		06-4
X6217	(4 PINS, BLACK)	front LH side of engine compartment	10-1	03-2
X6231	(2 PINS, BLACK)	RH front of engine	11-2	
X6232	(4 PINS, BLACK)	RH front of engine	11-2	06-1
X6241	(4 PINS, BLACK)	LH side of engine near starter	02-2	06-1



COMPONENT LOCATION CHART

Z3

COMP.	DESCRIPTION	LOCATION	7100.0	8500.0
X6252	(3 PINS, BLACK)	front of engine	11-3	06-4
X6300	(9 PINS, BLACK)	rear RH side of engine compartment in E-Box		03-4
X6301	(9 PINS, BLACK)	rear RH side of engine compartment in E-Box		03-4
X6324	(9 PINS, BLACK)	rear RH side of engine compartment in E-Box		03-4
X6326	(9 PINS, BLACK)	rear RH side of engine compartment in E-Box		03-4
X6430	B+ JUMP START JUNCTION POINT	rear RH side of engine compartment		
X6431	B+ JUMP START JUNCTION POINT	rear RH side of engine compartment		
X6433	B+ JUMP START JUNCTION POINT	rear RH side of engine compartment		
X6437	B+ JUMP START JUNCTION POINT	rear RH side of engine compartment		
X6454	GROUND	rear RH side of engine compartment	04-1	
X6456	GROUND	rear RH side of engine compartment	04-1	
X6500	(6 PINS, BLACK)	under rear storage compartment	27-2	06-5
X6506	(2 PINS, BLACK)	rear RH side of engine compartment in E-Box	08-1	
X6509	CABLE SOCKET ALTERNATOR B+	front LH side of engine compartment	02-3	
X6510	CABLE SOCKET STARTER TERMINAL 50	rear LH side of engine compartment at starter	02-2	
X6511	CABLE SOCKET STARTER TERMINAL 30h	rear LH side of engine compartment at starter		
X6512	CABLE SOCKET STARTER TERMINAL 30h	rear LH side of engine compartment at starter	02-2	
X7509	CABLE SOCKET ALTERNATOR TERMINAL D+	front LH side of engine compartment	02-3	
X8500	(88 PINS, BLACK)	rear RH side of engine compartment in E-Box		00-1
X8503	(6 PINS, YELLOW)	center console	23-1	04-5
X8507	(1 PIN, BLACK)	behind gas pedal	20-3	

04/97

7000.0-18

1996



COMPONENT LOCATION CHART

Z3

COMP.	DESCRIPTION	LOCATION	7100.0	8500.0
X8511	(2 PINS, BLACK)	LH side of transmission	15-2	
X8516	(2 PINS, BLACK)	LH side of transmission		
X8521	(9 PINS, BLACK)	on RH side of transmission	16-1	09-1
X9633	GROUND	behind LH footwell speaker grille	03-2	
X9997	(2 PINS, ORANGE)	behind steering wheel		
X10010	GROUND	behind glove box (EARLY PRODUCTION)	04-3	
X10010	GROUND	in lower RH A-pillar (LATE PRODUCTION)	30-3	
X10013	(1 PIN, ---)	behind steering wheel		
X10054	(8 PINS, BLACK)	RH side of LH footwell	22-1	02-1
X10065	(2 PINS, WHITE)	LH footwell	15-1	
X10088	(2 PINS, BLACK)	front RH side of engine compartment	07-3	
X10182	(18 PINS, BLACK)	behind glove box		05-2
X10214	(3 PINS, BLACK)	under LH front seat		01-1
X10215	(3 PINS, BLACK)	under RH front seat		01-1
X10216	(3 PINS, ORANGE)	under rear storage compartment	32-2	07-5
X10217	(3 PINS, ORANGE)	under rear storage compartment	32-2	07-5
X10218	(3 PINS, NATURAL)	under RH front seat	25-3	01-1
X10244	(1 PIN, BLACK)	behind glove box	00-3	
X10245	(12 PINS, BLACK)	center console	01-3	01-3
X10246	(12 PINS, BLACK)	in rear left speaker box	27-3	01-3
X10260	(3 PINS, NATURAL)	near steering column	01-2	01-1
X10262	(9 PINS, BLACK)	below LH side of dash		03-4



COMPONENT LOCATION CHART

COMP.	DESCRIPTION	LOCATION	7100.0	8500.0
X10263	(6 PIN, BLACK)	center console	30-2	04-5
X11104	(1 PIN, ---)	near interior rear view mirror	29-2	
X11105	(1 PIN, ---)	near interior rear view mirror	29-2	
X11106	(1 PIN, ---)	near interior rear view mirror	29-2	
X11209	(2 PINS, BLACK)	near RH rear wheel well	26-3	
X11287	CONNECTORS SOLDERED UP	center of dash		
X11379	(3 PINS, BLACK)	RH top of radiator	07-1	02-5
X11394	(25 PINS, BLACK)	rear LH side of engine compartment		06-6
X13004	GROUND	behind glove box	04-3	
X13006	GROUND	in LH side of luggage compartment	05-3	
X13012	(26 PINS, NATURAL)	behind glove box	25-1	00-3
X13013	(5 PINS, BLACK)	behind glove box	25-1	06-2
X13014	(4 PINS, BLACK)	behind glove box	25-1	07-3
X13016	GROUND	in LH side of luggage compartment	05-2	
X13025	(12 PINS, BLACK)	behind glove box	00-3	02-4
X13032	GROUND	under rear storage compartment	31-2	
X13233	(1 PIN, BLACK)	center of dash behind center console		
X13252	(15 PINS, BLACK)	behind glove box	34-3	05-1
X13253	(26 PINS, YELLOW)	behind glove box	34-3	00-3
X13254	(26 PINS, GREEN)	behind glove box	34-3	00-3
X13287	(1 PIN, WHITE)	center of dash behind center console		
X18080	(1 PIN, ---)	in LH side of luggage compartment	35-1	



COMPONENT LOCATION CHART

Z3

COMP.	DESCRIPTION	LOCATION	7100.0	8500.0
X18126	(17 PINS, BLACK)	center console behind radio	30-2	02-2
X18170	GROUND	below center console	03-1	
X18180	(3 PINS, BLACK)	in LH rear side of luggage compartment	28-3	01-1
X18190	(3 PINS, BLACK)	in driver's door	18-2	01-1
X18196	(10 PINS, BLACK)	LH A-pillar	17-3	02-3
X18198	(10 PINS, BLACK)	RH A-pillar	19-1	02-3
X18279	(2 PINS, ---)	in driver's door		
X18280	(2 PINS, ---)	in passenger's door		
X18333	(2 PINS, BLACK)	on instrument cluster		
X18349	(8 PINS, BLACK)	center console	01-3	08-3
X18350	(6 PINS, BLACK)	RH side of LH footwell	22-2	03-6
X18516	(3 PINS, BLACK)	in passenger's door	19-3	01-1
X18518	(3 PINS, BLACK)	in RH front seat belt buckle (EARLY PRODUCTION)		01-1
X18518	(4 PINS, BLACK)	in RH front seat belt buckle (LATE PRODUCTION)		07-1
X18520	(10 PINS, ---)	center console RADIO	30-2	
X18521	(10 PINS, ---)	RH side of luggage compartment CD CHANGER		
X18983	(2 PINS, BLACK)	center of dash		
X18984	(2 PINS, BLACK)	center of dash	22-3	
X19527	(16 PINS, BLACK)	center console right	29-3	08-1
X62001	(4 PINS, BLACK)	under center of car	15-3	06-1
X62002	(4 PINS, BLACK)	under center of car		06-1
X90260	(3 PINS, BLACK)	near steering column	01-2	01-1



COMPONENT LOCATION CHART

Z3

COMP.	DESCRIPTION	LOCATION	7100.0	8500.0
Y1	ABS HYDRAULIC UNIT	rear LH side of engine compartment	08-2	
Y1w	ABS HYDRAULIC UNIT	rear LH side of engine compartment	08-2	
Y2	AIR CONDITIONING COMPRESSOR	front RH side of engine compartment		
Y4z	WATER VALVE	rear LH side of engine compartment	12-1	
Y5	DRIVER'S SIDE MIRROR	in upper LH front door		
Y6	PASSENGER'S SIDE MIRROR	in upper RH front door		
Y19	SHIFT-LOCK	center console	28-2	
Y6101	CYL. 1 FUEL INJECTION VALVE	on cylinder head		
Y6102	CYL. 2 FUEL INJECTION VALVE	on cylinder head		
Y6103	CYL. 3 FUEL INJECTION VALVE	on cylinder head		
Y6104	CYL. 4 FUEL INJECTION VALVE	on cylinder head		
Y6120	EVAPORATIVE EMISSION VALVE	LH side of engine compartment	08-2	
Y6130	IDLE SPEED CONTROL VALVE	front of engine	11-3	
Y6131	INTAKE AIR RESONANCE CHANGEOVER VALVE	front of engine	10-1	
Y8505	TRANSMISSION VALVE UNIT	on RH side of transmission	16-1	

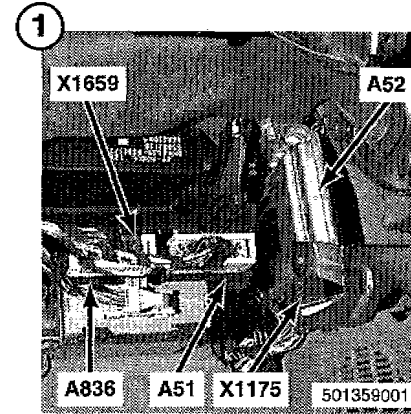
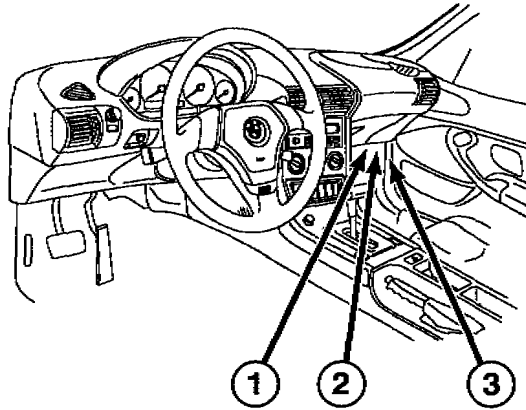
BMW
3

Z3

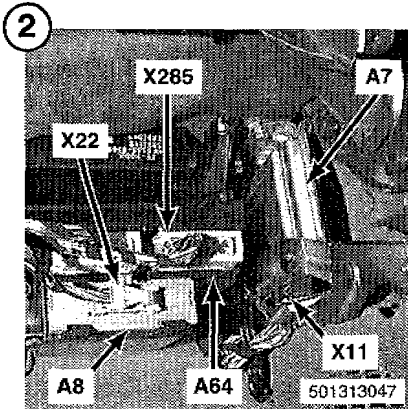
7100.0

COMPONENT LOCATION VIEWS

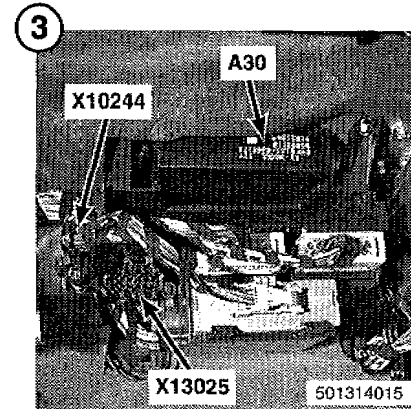
ELECTRICAL CONTROL MODULE LOCATIONS



- A51 WIPER/WASHER MODULE X1175
X1659
- A52 SLIP CONTROL MODULE (ABS/ASC)
- A836 ELECTRONIC IMMOBILIZER CONTROL MODULE (EWS II)

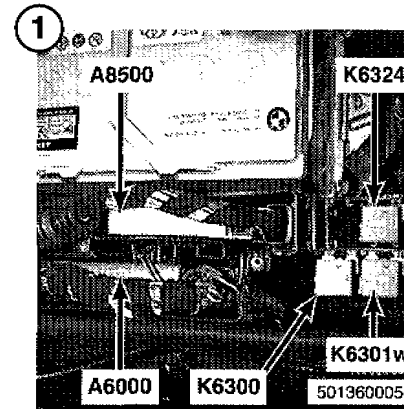
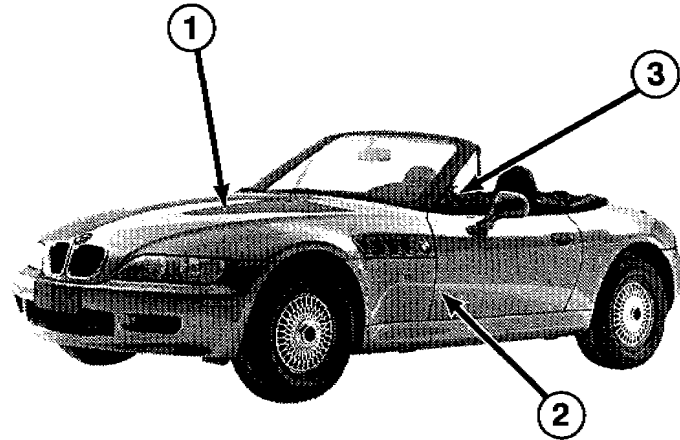


- A7 SLIP CONTROL MODULE (ABS) X11
X22
X285
- A8 CRUISE CONTROL MODULE (TEMPOMAT)
- A64 WIPER/WASHER MODULE (LOW II)

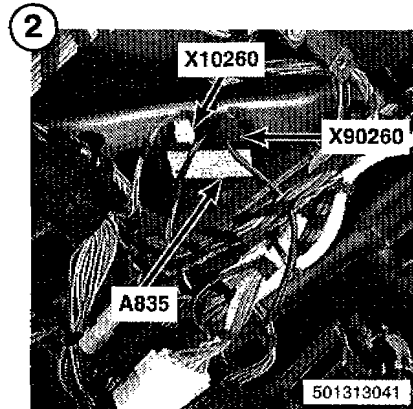


- A30 CENTRAL LOCKING MODULE
- X10244
- X13025

COMPONENT LOCATION VIEWS
ELECTRICAL CONTROL MODULE LOCATIONS

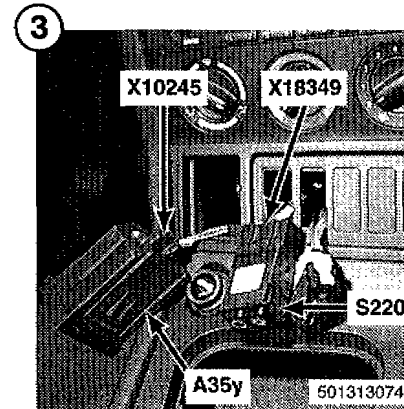


- A6000 ENGINE CONTROL MODULE (DME)
- A8500 TRANSMISSION CONTROL MODULE (EGS)
- K6300 ENGINE CONTROL MODULE RELAY
- K6301w FUEL PUMP RELAY
- K6324 STARTER INTER-LOCK RELAY



- A835 TRANSMITTER MODULE (EWS II)

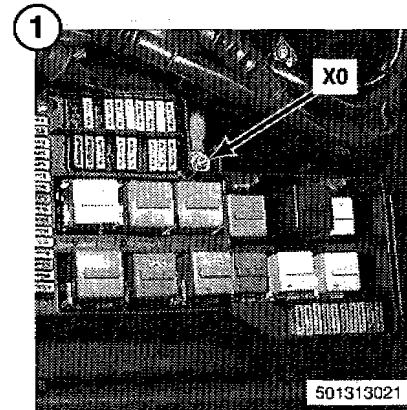
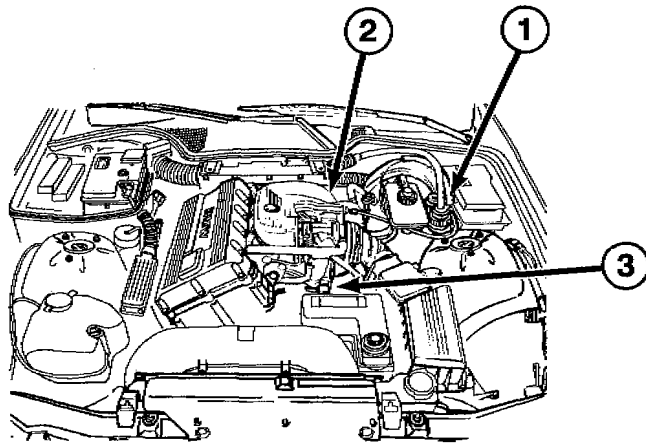
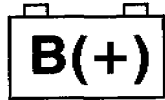
- X10260
- X90260



- A35y BOARD COMPUTER (BC-LOW)
- S220 AIR CONDITIONING/ RECIRCULATING SWITCH ASSEMBLY

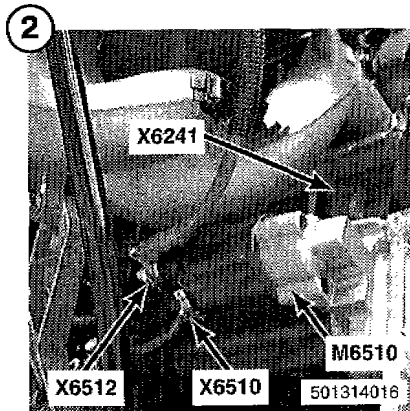
- X10245
- X18349

COMPONENT LOCATION VIEWS



X0
B+ JUNCTION
POINT

501313021



M6510
STARTER

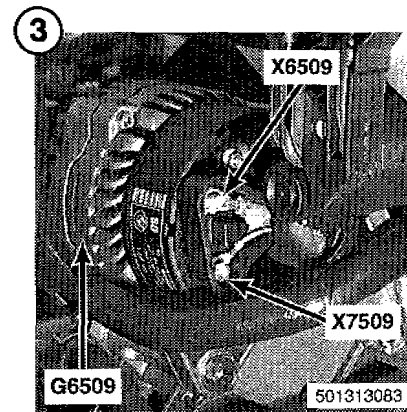
X6241
X6510
X6512

M6510

X6512

X6510

501314016



G6509
GENERATOR

X6508
X7509

X6509

G6509

X7509

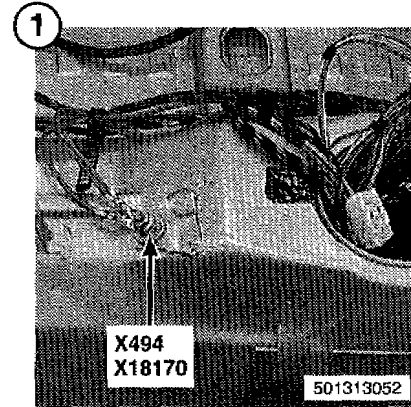
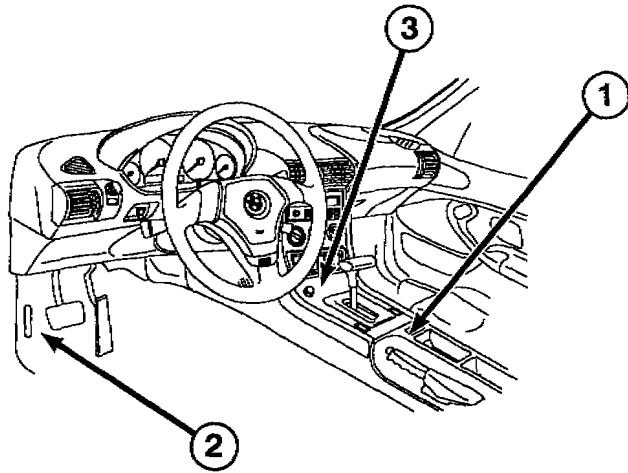
501313083

BMW
3

COMPONENT LOCATION VIEWS

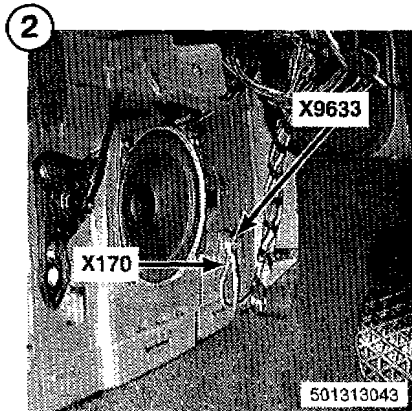
Z3

B(-)



X494
GROUND

X18170
GROUND



X170
GROUND

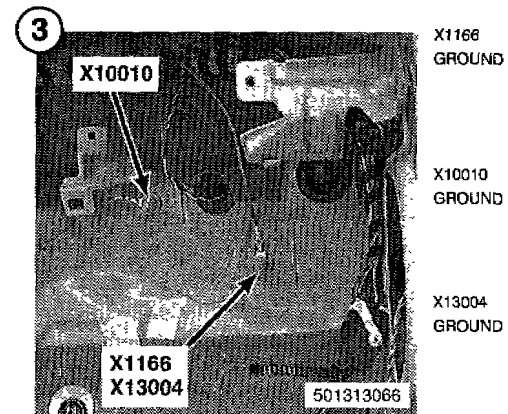
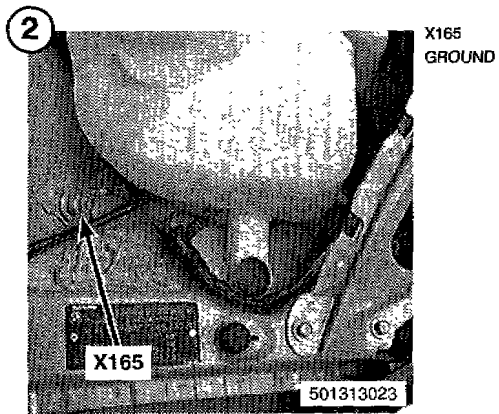
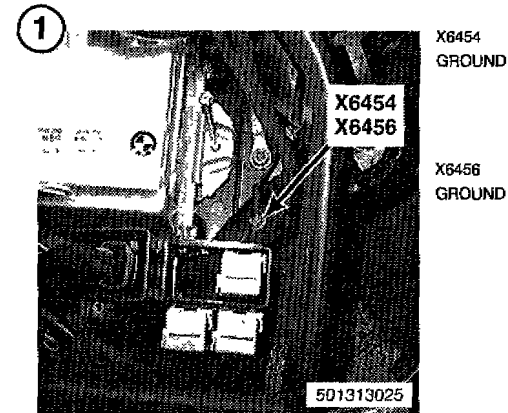
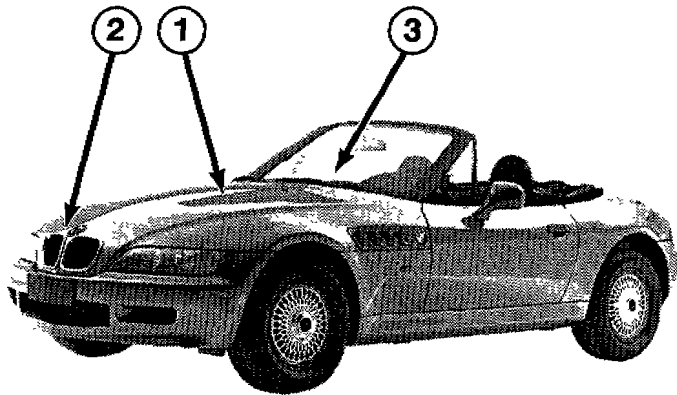
X9633
GROUND



X1441
GROUND

Z3

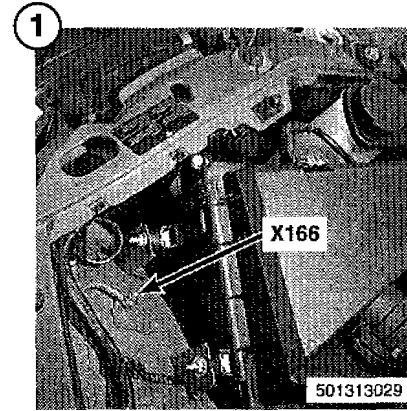
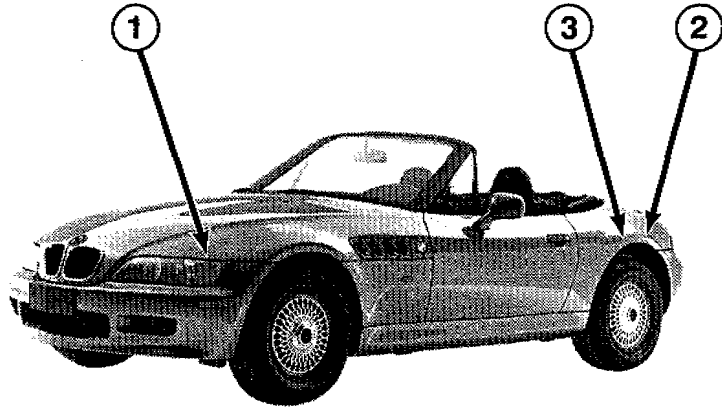
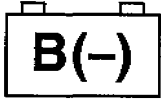
B(-)



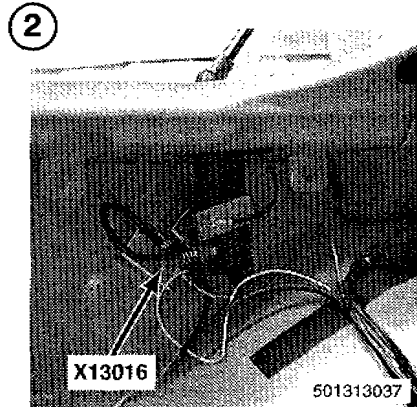


COMPONENT LOCATION VIEWS

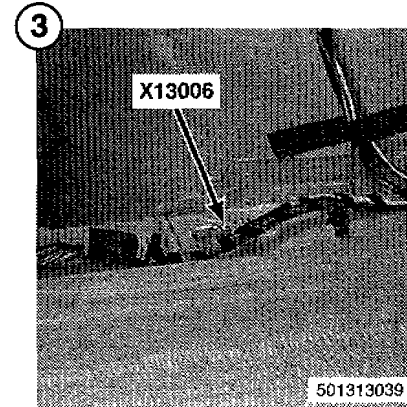
Z3



X166
GROUND

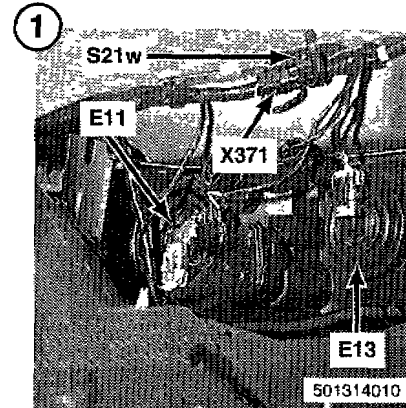
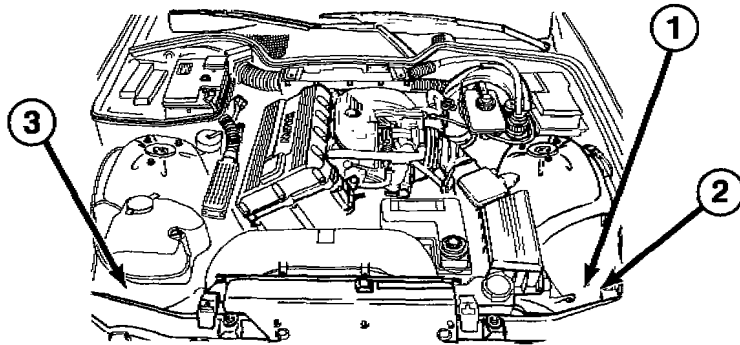


X13016
GROUND

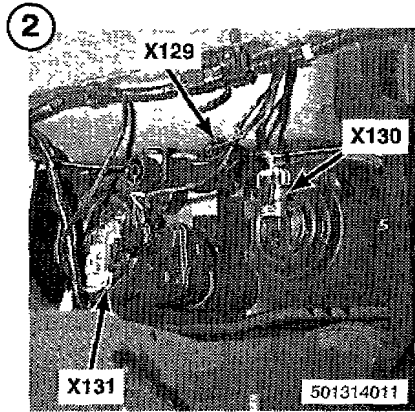


X13006
GROUND

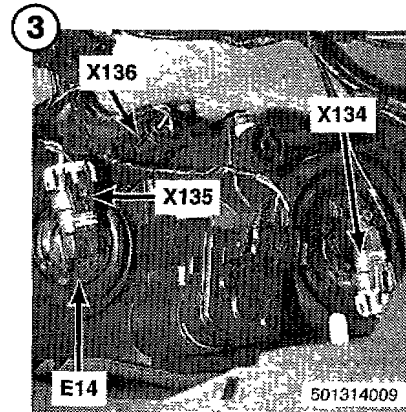
COMPONENT LOCATION VIEWS



- E11 LEFT HIGH BEAM LIGHT
- X371
- E13 LEFT LOW BEAM LIGHT
- S21w ENGINE HOOD SWITCH



- X129
- X130
- X131

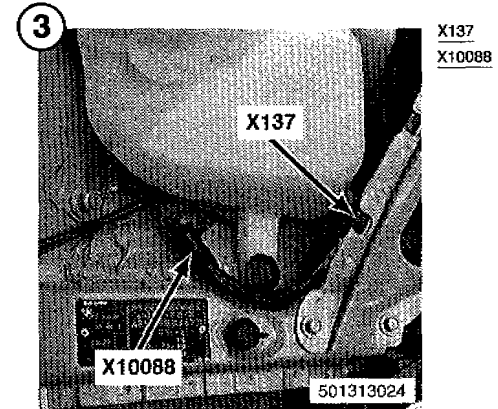
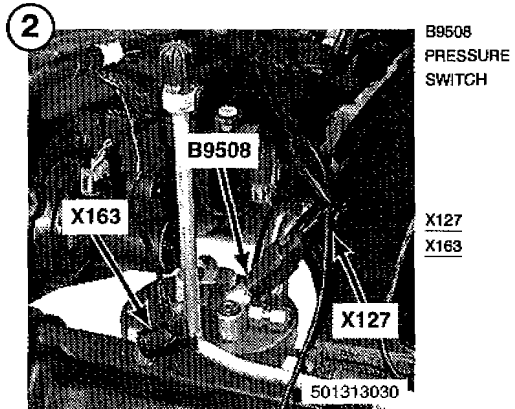
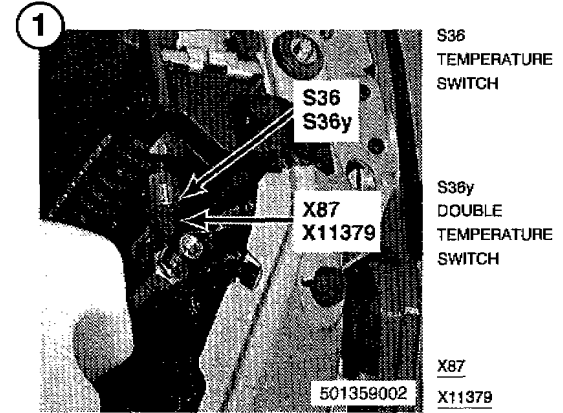
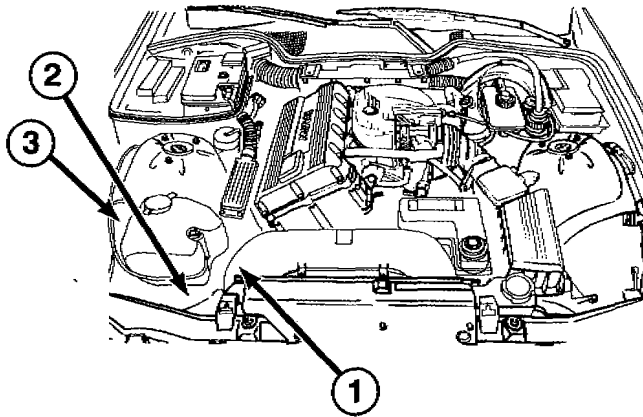


- E14 RIGHT LOW BEAM LIGHT
- X134
- X135
- X136

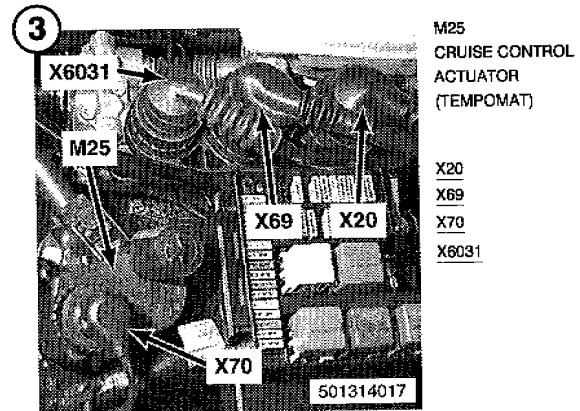
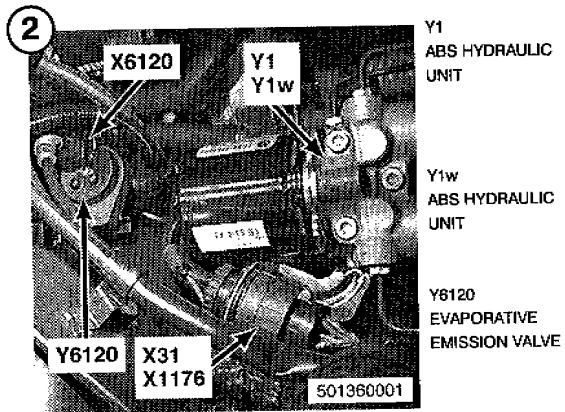
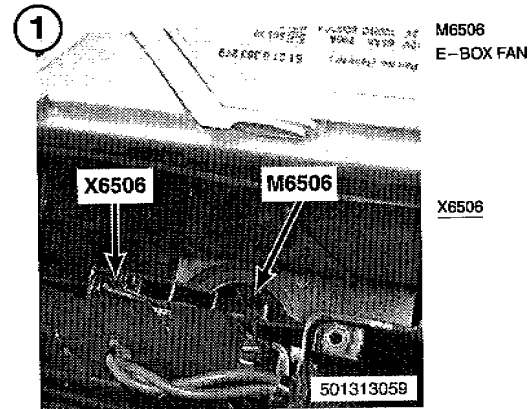
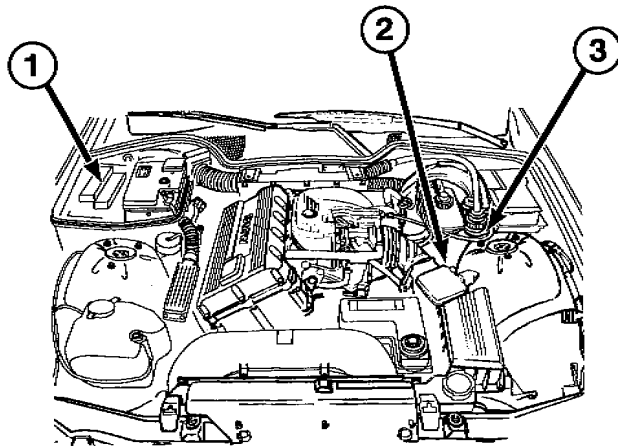


Z3

COMPONENT LOCATION VIEWS



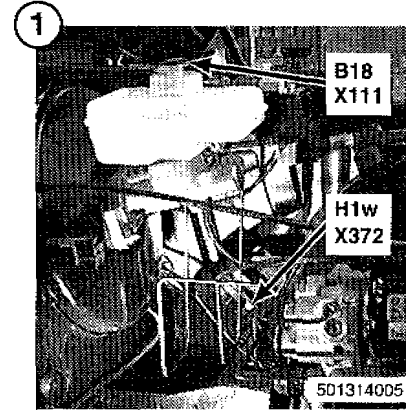
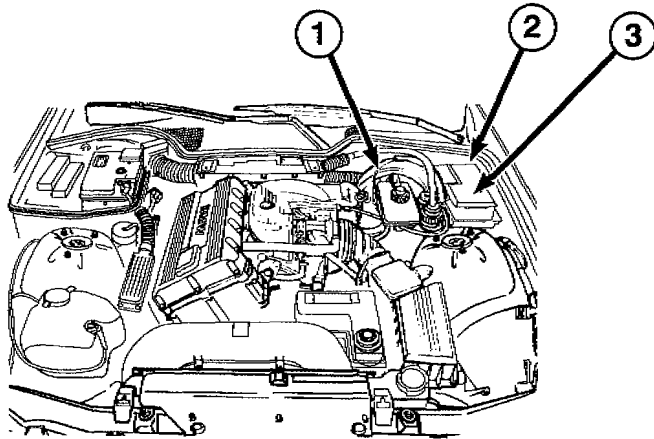
COMPONENT LOCATION VIEWS





Z3

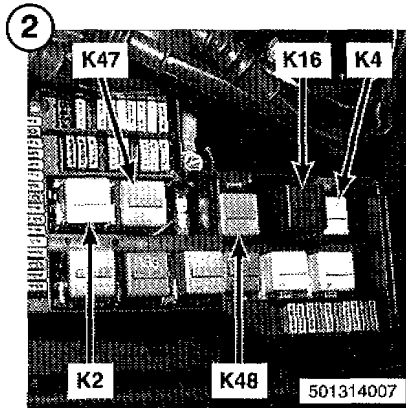
COMPONENT LOCATION VIEWS



B18
BRAKE FLUID
LEVEL SWITCH

H1w
ANTI-THEFT
HORN (ALPINE)

X111
X372



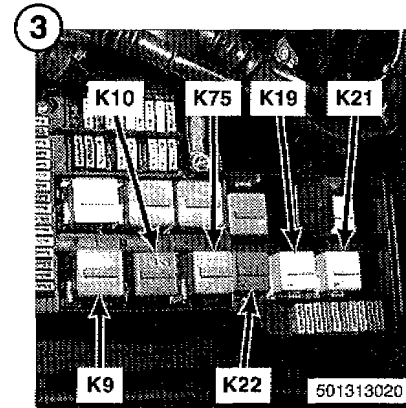
K2
HORN RELAY

K47
FRONT FOG LIGHT
RELAY

K4
BLOWER RELAY

K48
LOW BEAM LIGHT
RELAY

K16
HAZARD FLASHER
RELAY



K9
UNLOADER RELAY,
TERMINAL 15

K21
NORMAL SPEED
RELAY

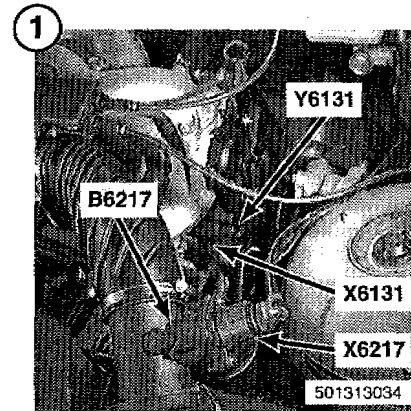
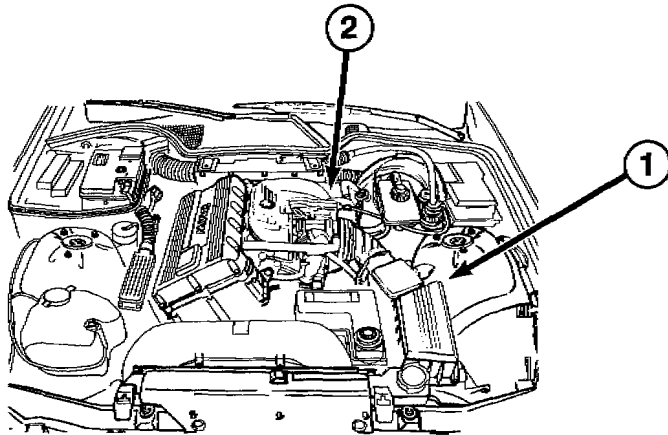
K10
ABS RELAY

K22
HIGH SPEED
RELAY

K19
COMPRESSOR
CONTROL RELAY

K75
ABS PUMP MOTOR
RELAY

COMPONENT LOCATION VIEWS

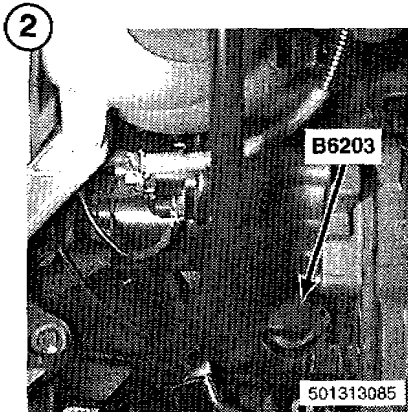


B6217
HOT FILM AIR
MASS METER

Y6131
INTAKE AIR RES-
ONANCE CHANGE-
OVER VALVE

X6131
X6217

501319034



B6203
CRANKSHAFT
POSITION/
RPM SENSOR

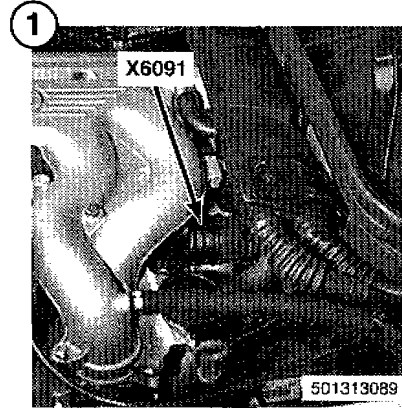
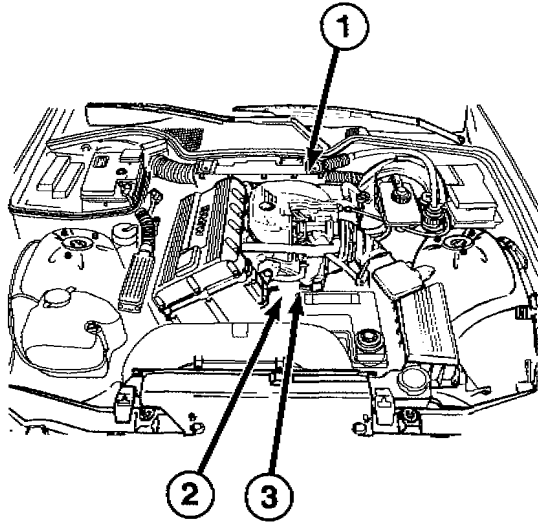
B6203

501313085

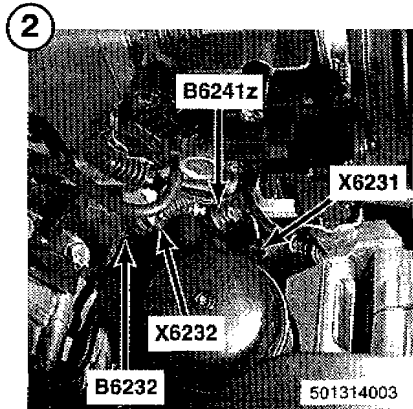


COMPONENT LOCATION VIEWS

Z3



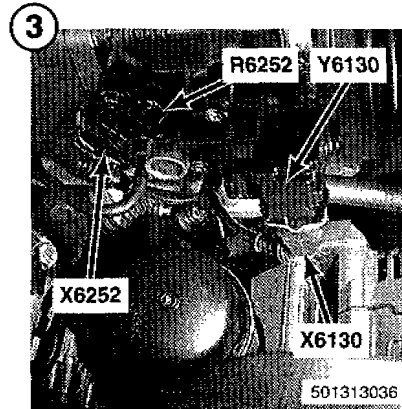
X6091



B6232
ENGINE COOLANT
TEMPERATURE
SENSOR

B6241z
KNOCK SENSOR 1

X6231
X6232

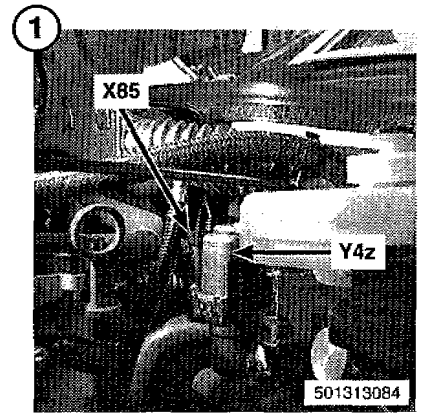
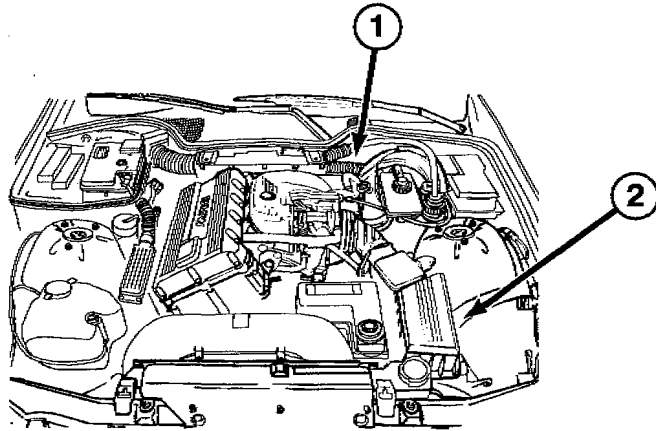


R6252
THROTTLE
POSITION SENSOR

Y6130
IDLE SPEED
CONTROL VALVE

X6130
X6252

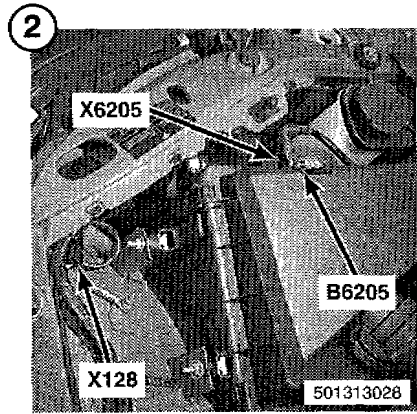
COMPONENT LOCATION VIEWS



Y4z
WATER VALVE

X85

501313084



B6205
INTAKE AIR
TEMPERATURE
SENSOR

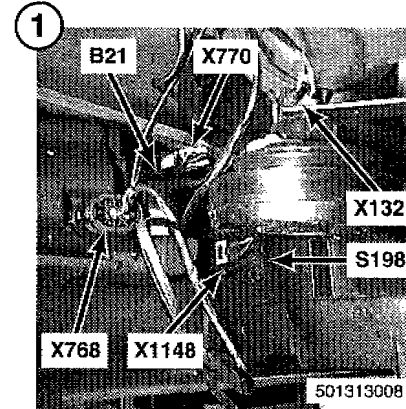
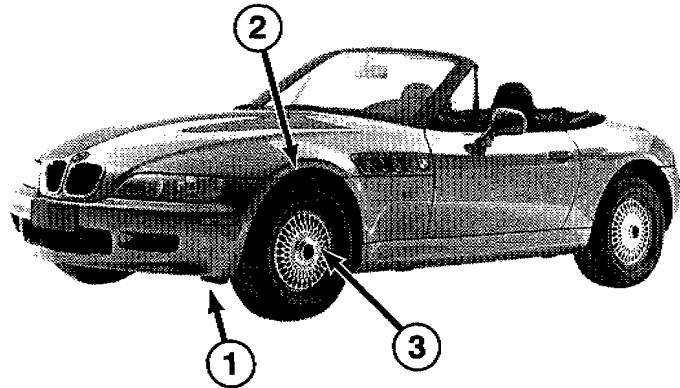
X128
X6205

B6205

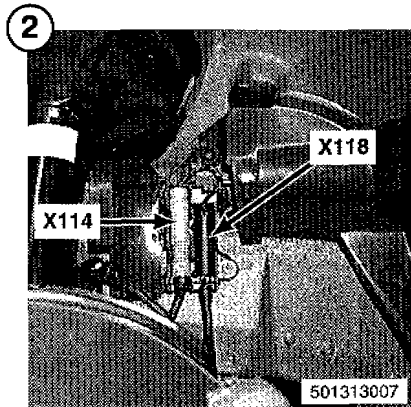
X128

501313028

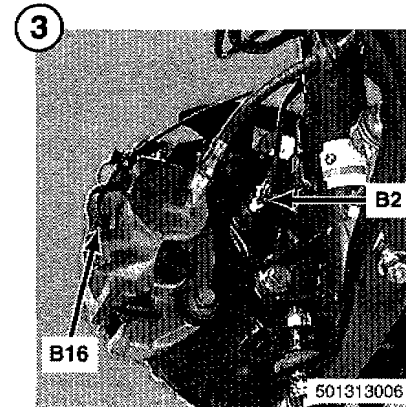
COMPONENT LOCATION VIEWS



- B21
ON-BOARD
COMPUTER
TEMPERATURE
SENSOR
- S198
JET HEATER
THERMOSWITCH
- X132
- X768
- X770
- X1148

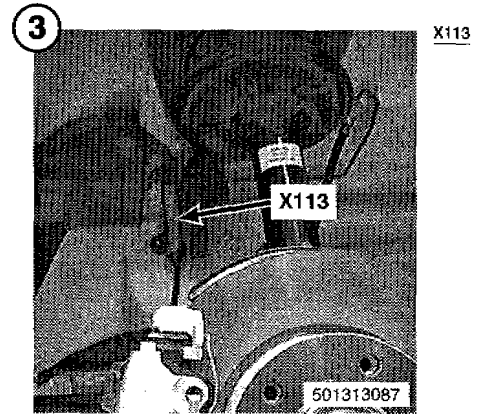
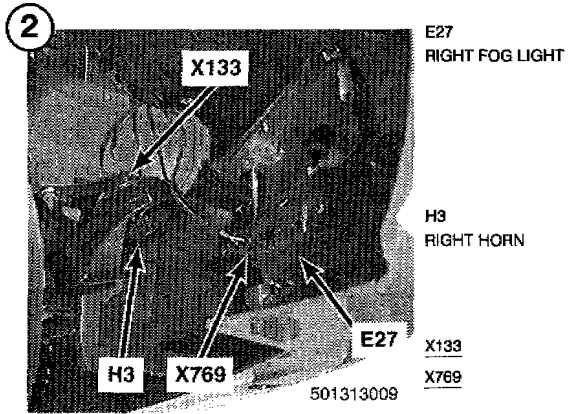
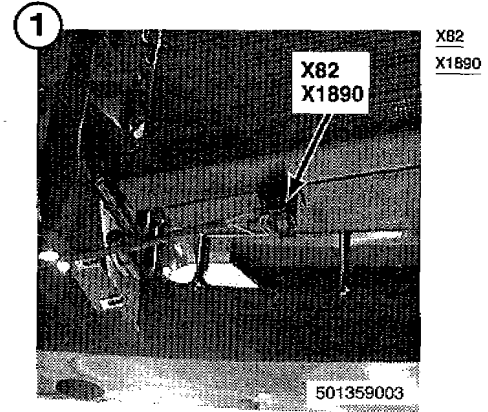
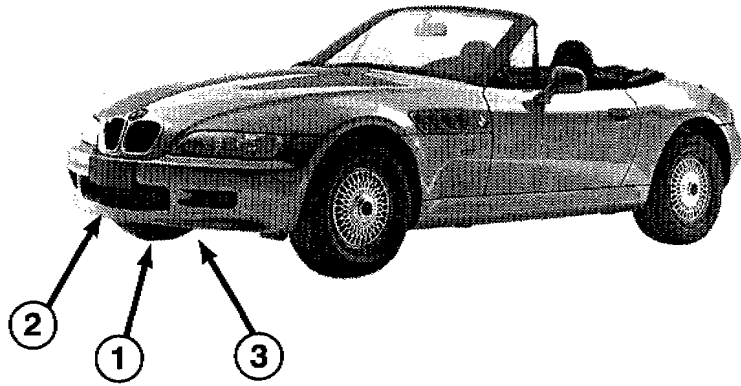


- X114
- X118



- B2
LEFT FRONT
SPEED SENSOR -
ABS
- B16
LEFT FRONT
BRAKE PAD
SENSOR

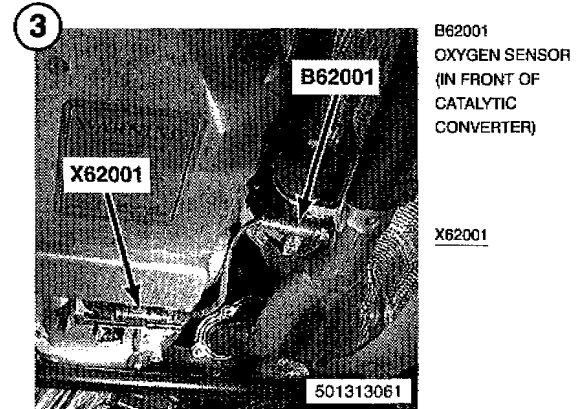
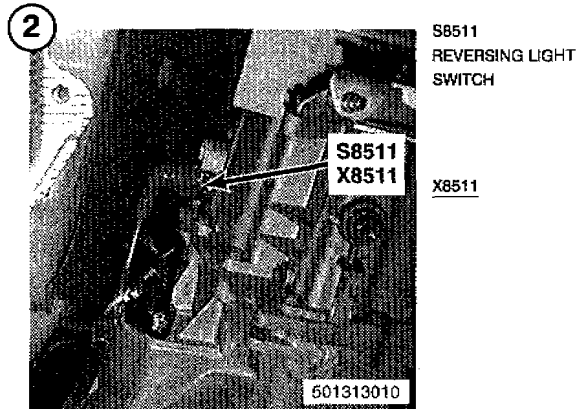
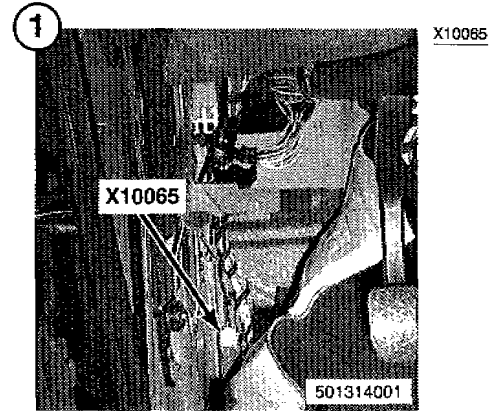
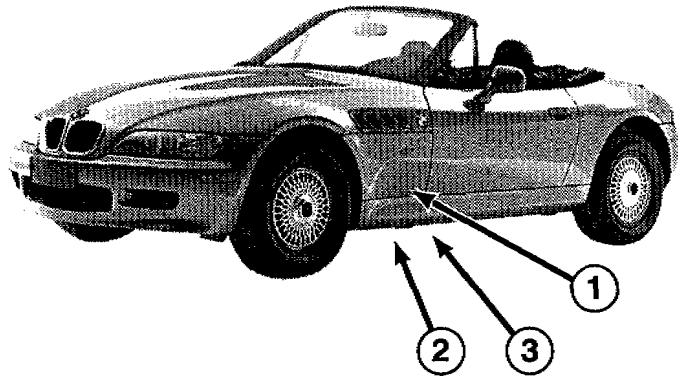
COMPONENT LOCATION VIEWS



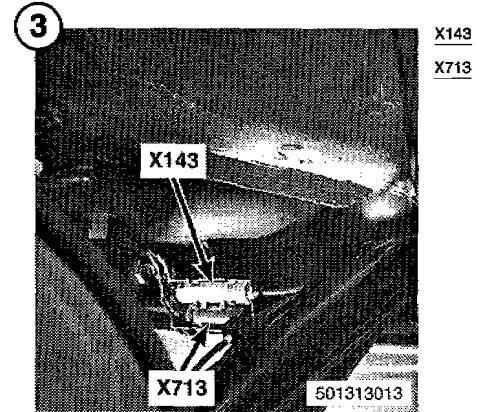
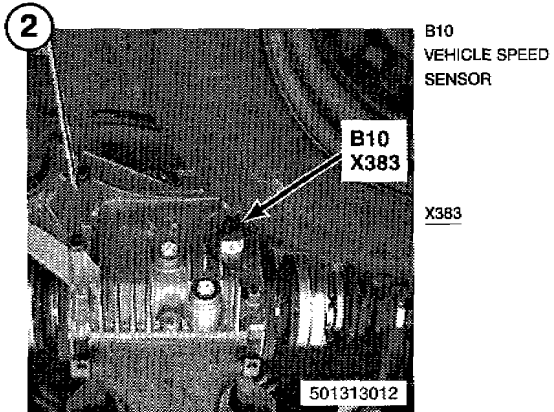
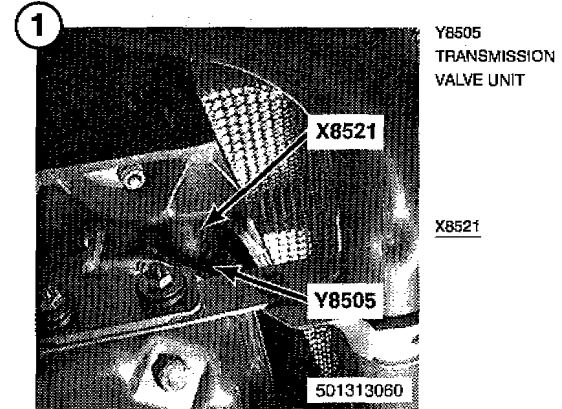
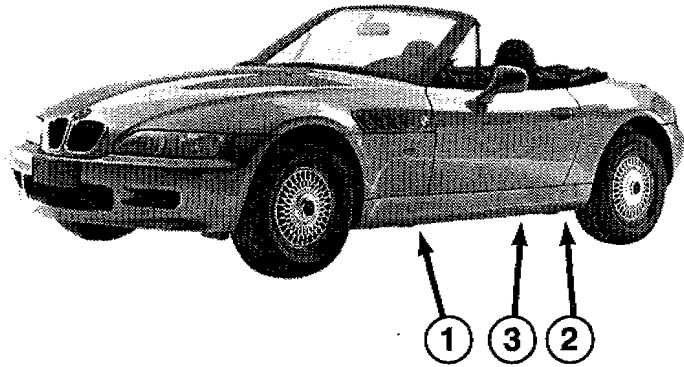


Z3

COMPONENT LOCATION VIEWS



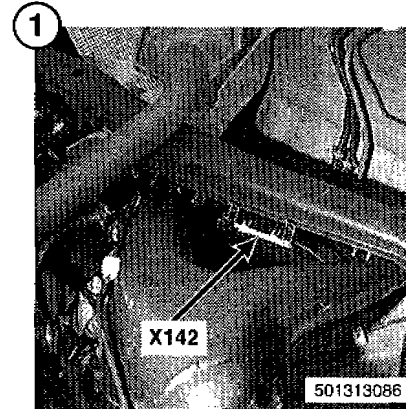
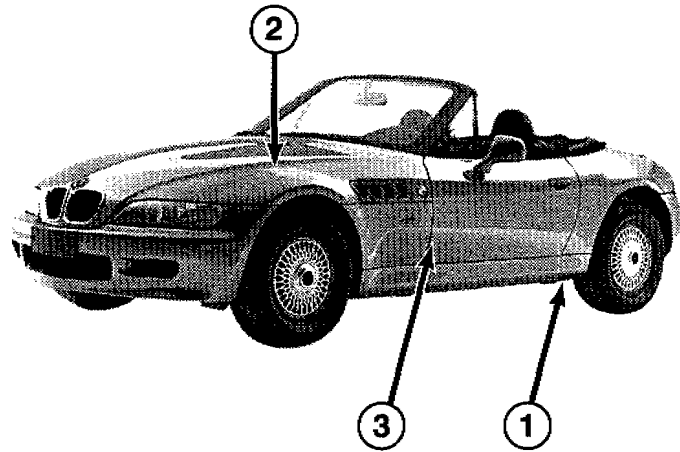
COMPONENT LOCATION VIEWS



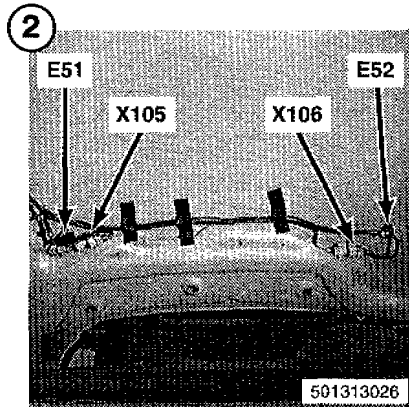


COMPONENT LOCATION VIEWS

Z3



X142

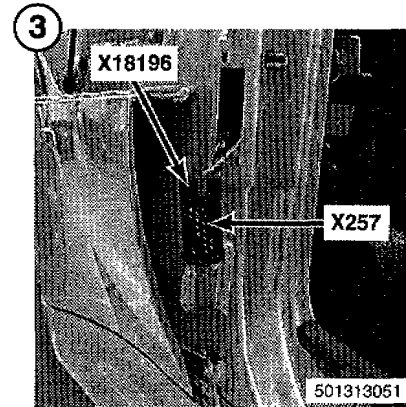


E51
LEFT WASHER JET
HEATER

E52
RIGHT WASHER
JET HEATER

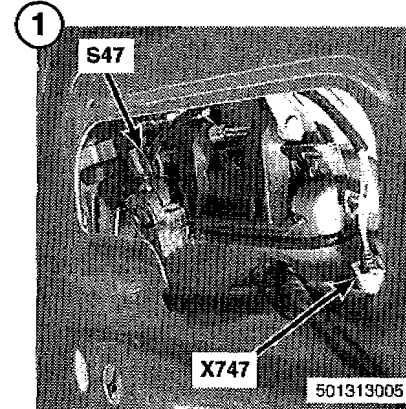
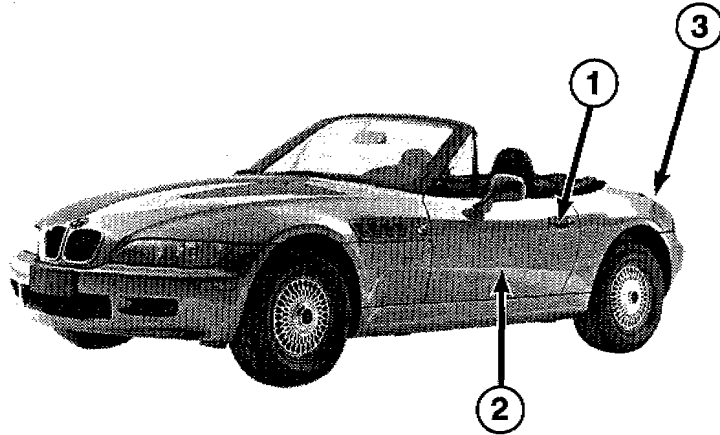
X105

X106



X257

X18196

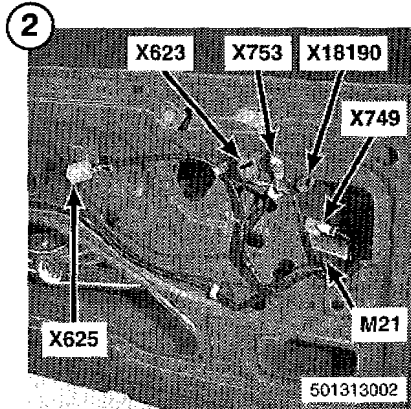


S47
DRIVER'S DOOR
LOCK SWITCH

X747

X747

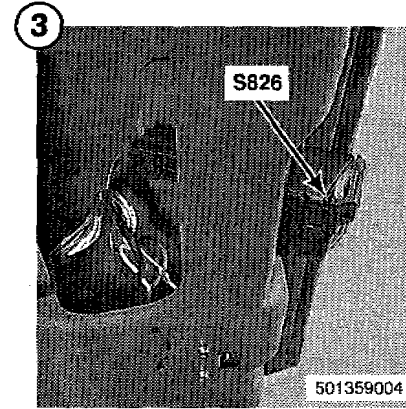
501313005



M21
DRIVER'S WINDOW
MOTOR

X623
X625
X749
X753
X18190

501313002



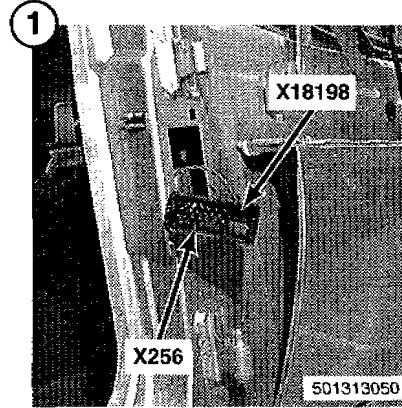
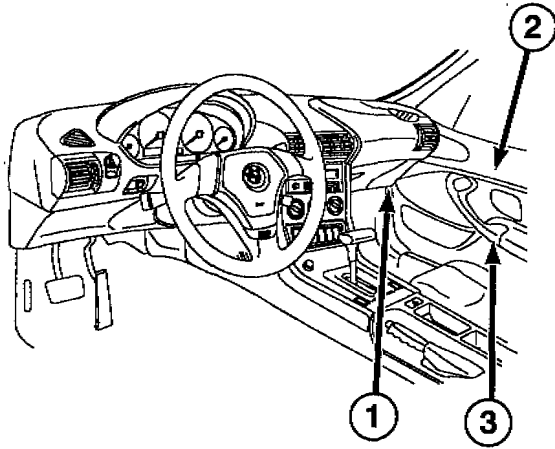
S826
LUGGAGE
COMPARTMENT
LIGHT SWITCH

501359004

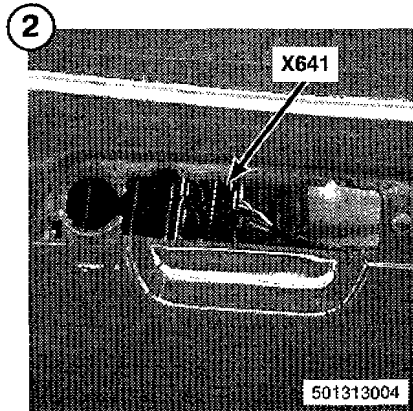


Z3

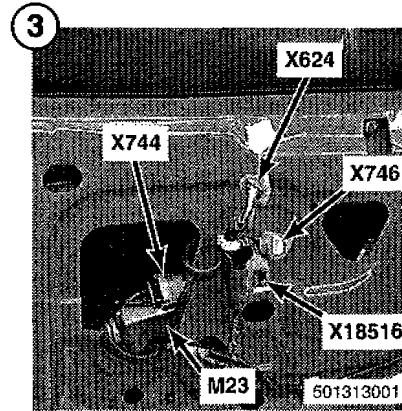
COMPONENT LOCATION VIEWS



X256
X18198

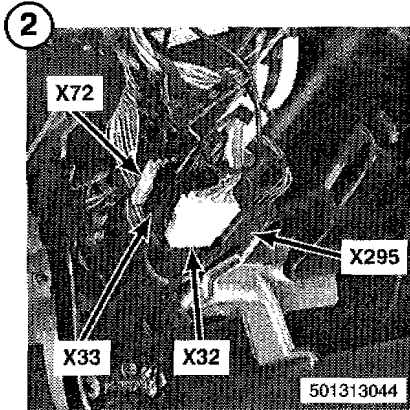
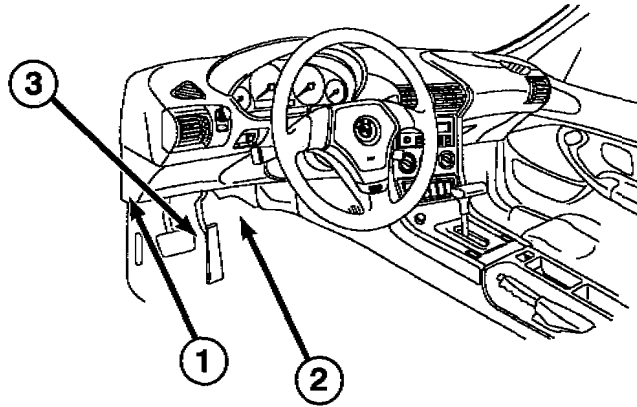


X641

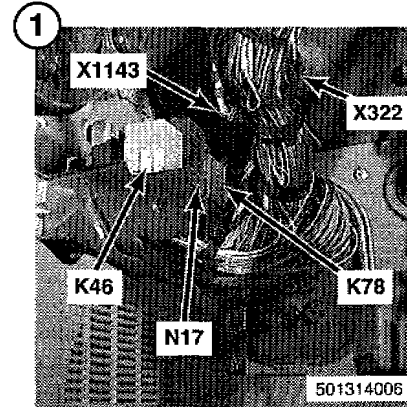


M23
PASSENGER'S
WINDOW MOTOR

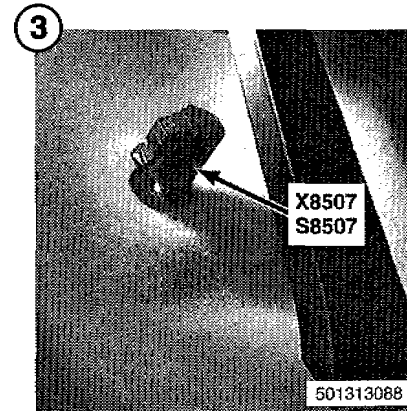
X624
X744
X746
X18516



X32
X33
X72
X295

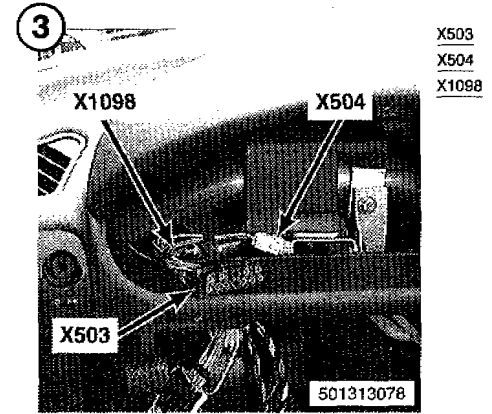
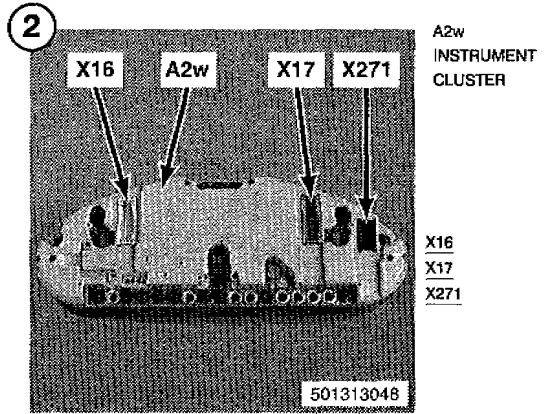
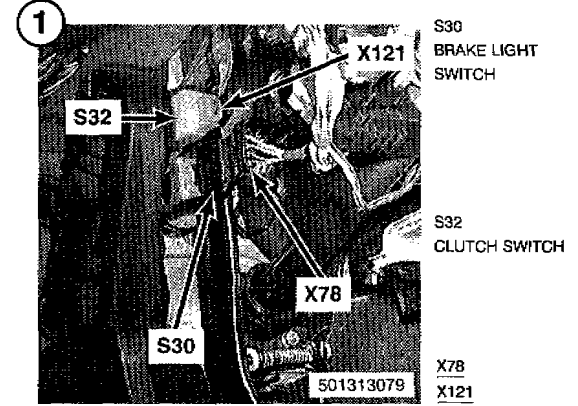
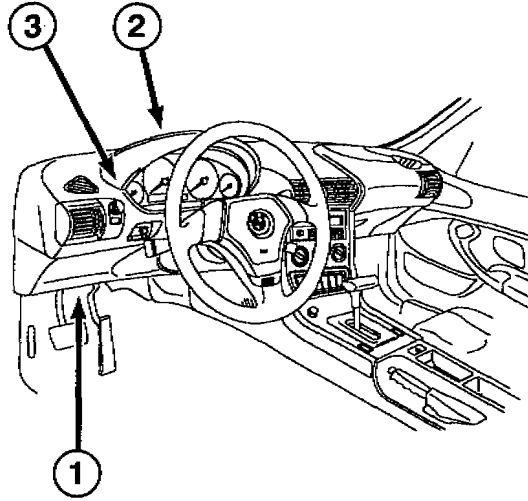


K46 HIGH BEAM LIGHT RELAY
X322 X1143
K78 COMFORT RELAY
N17 CRASH CONTROL MODULE

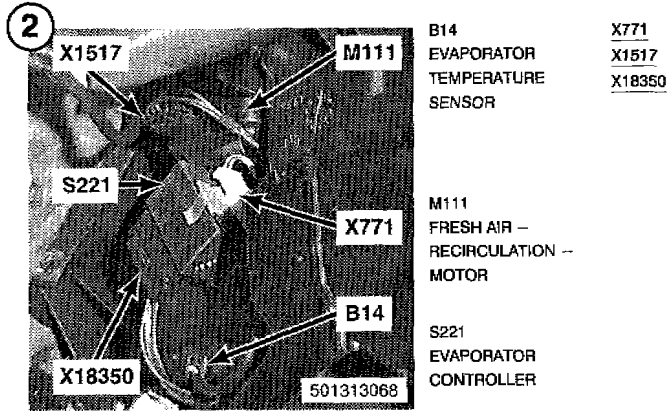
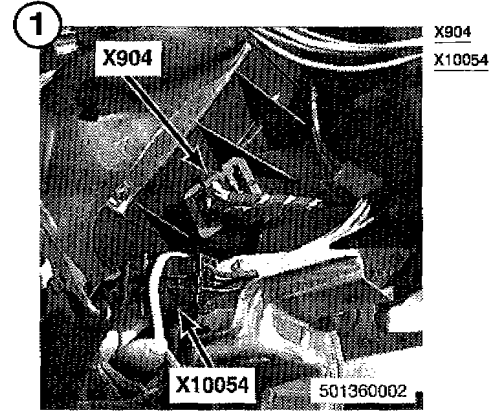
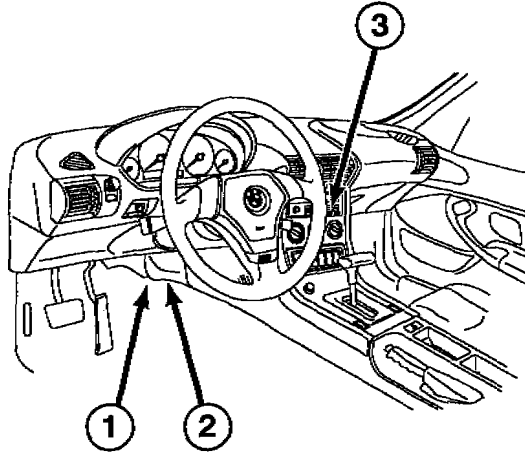


S8507 KICK-DOWN SWITCH
X8507

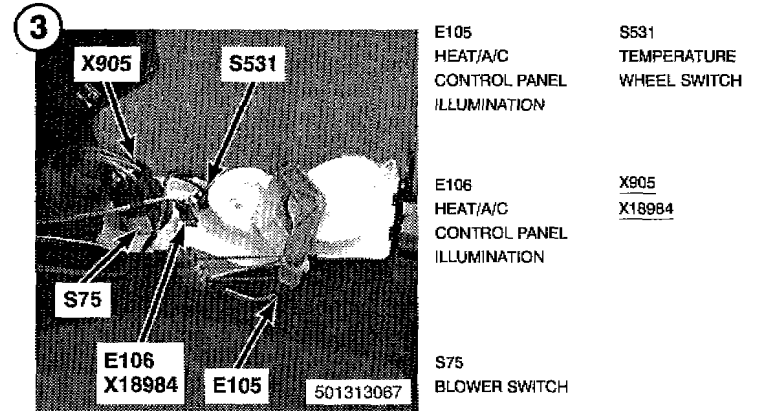
COMPONENT LOCATION VIEWS



COMPONENT LOCATION VIEWS



- B14
EVAPORATOR
TEMPERATURE
SENSOR
- M111
FRESH AIR –
RECIRCULATION –
MOTOR
- S221
EVAPORATOR
CONTROLLER
- X771
- X1517
- X18350

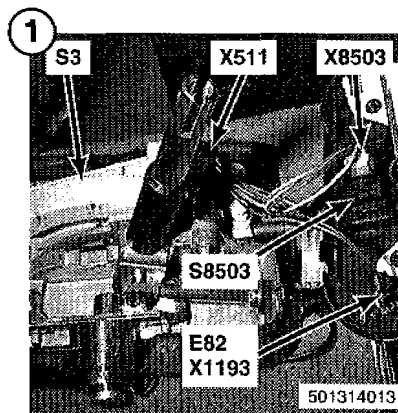
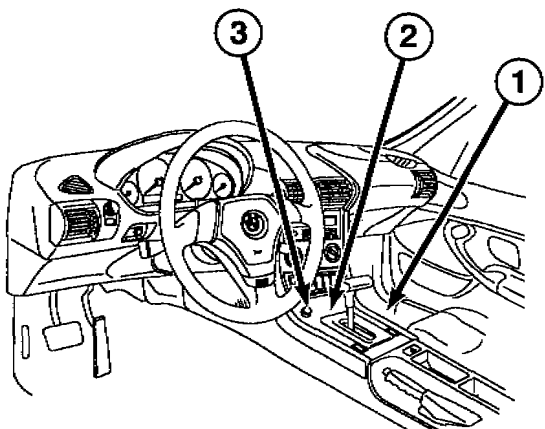


- E105
HEAT/A/C
CONTROL PANEL
ILLUMINATION
- S531
TEMPERATURE
WHEEL SWITCH
- E106
HEAT/A/C
CONTROL PANEL
ILLUMINATION
- X905
- X18984
- S75
BLOWER SWITCH
- E105



Z3

COMPONENT LOCATION VIEWS

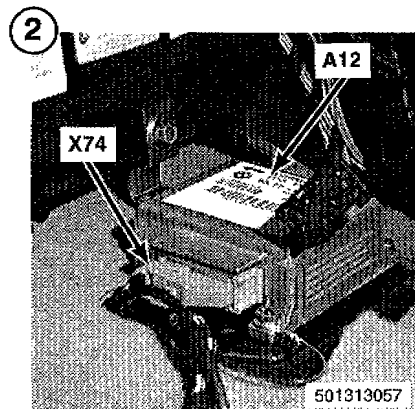


E82
TRANSMISSION
POSITION
INDICATOR LIGHT

X511
X1193
X8503

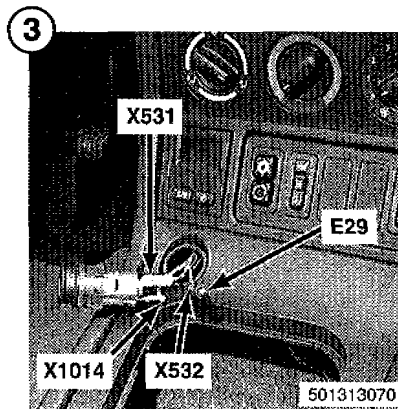
S3
AUTOMATIC
TRANSMISSION
RANGE SWITCH

S8503
PROGRAM SWITCH



A12
SUPPLEMENTAL
RESTRAINT
SYSTEM CONTROL
MODULE

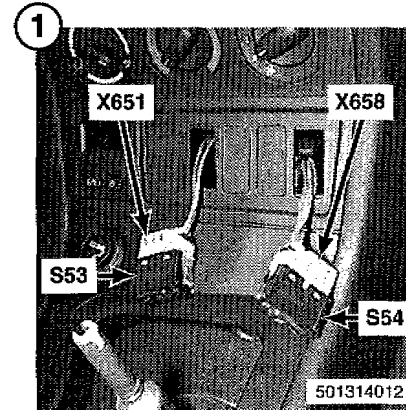
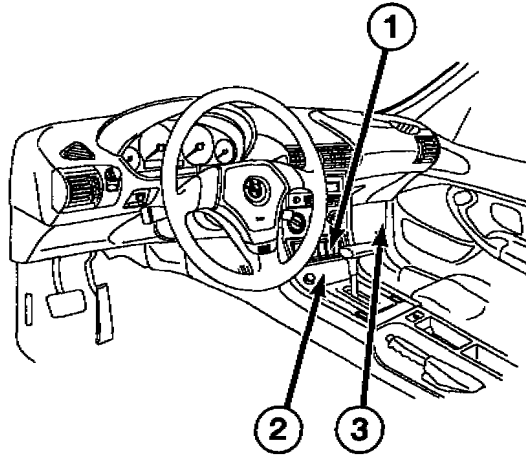
X74



E29
FRONT CIGAR
LIGHTER LIGHT

X531
X532
X1014

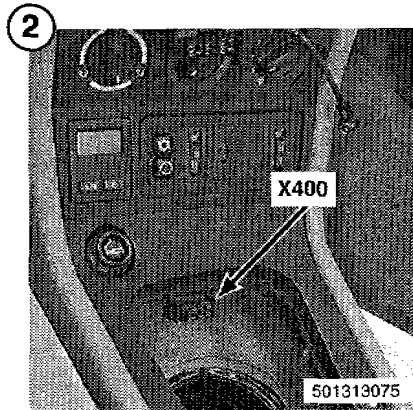
COMPONENT LOCATION VIEWS



S53
DRIVER'S SEAT,
SEAT HEATER
SWITCH

S54
PASSENGER'S
SEAT, SEAT
HEATER SWITCH

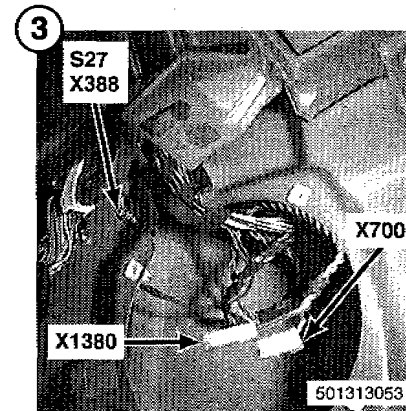
X651
X658



X400

X400

501313075



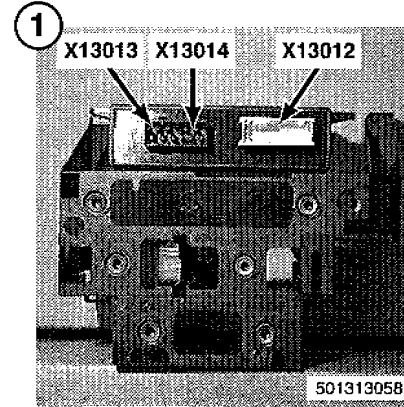
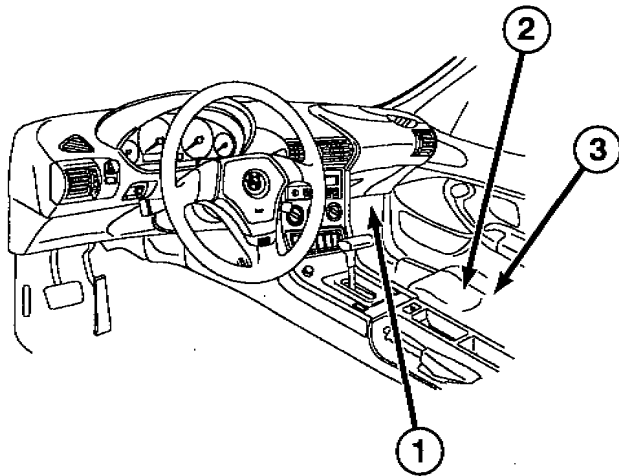
S27
INERTIA SWITCH

X388
X700
X1380

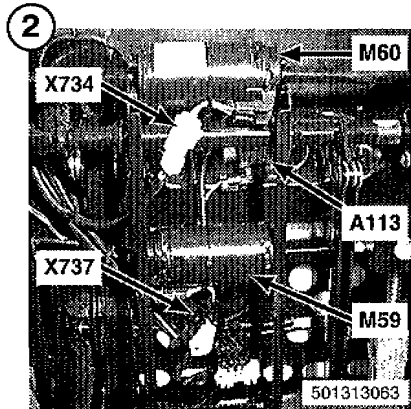


Z3

COMPONENT LOCATION VIEWS



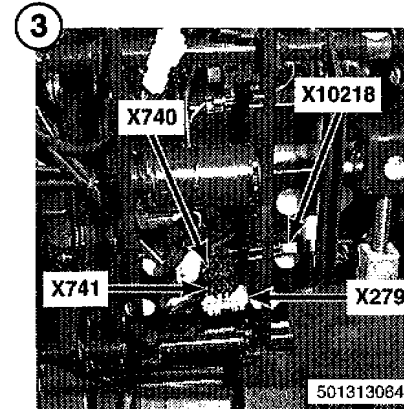
X13012
 X13013
 X13014



A113 SEAT OCCUPANCY DETECTOR X734 X737

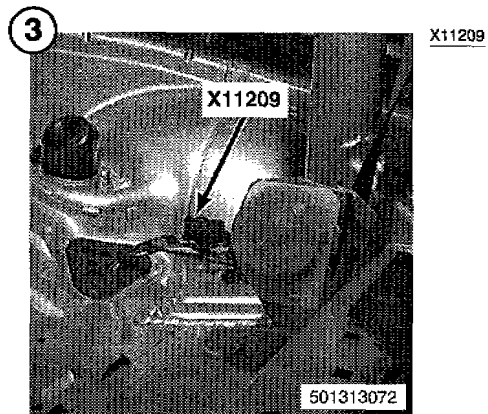
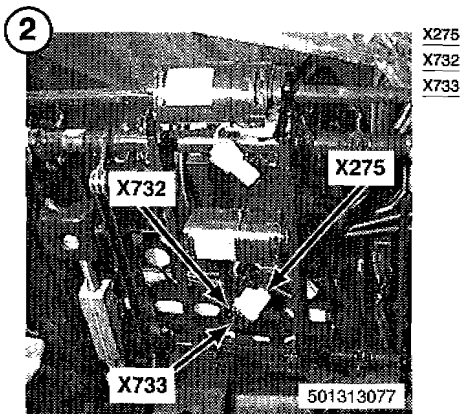
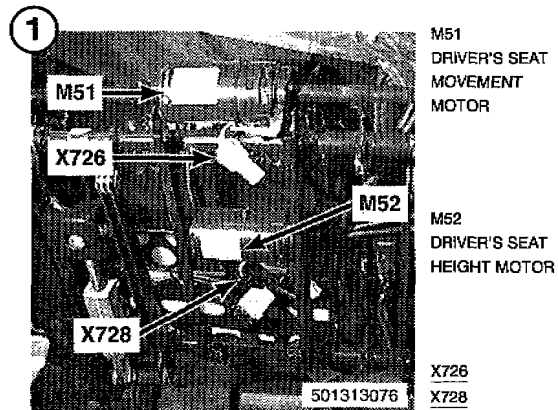
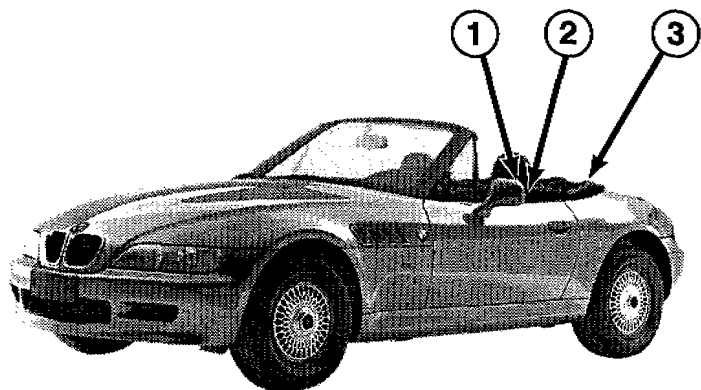
M59 PASSENGER'S SEAT HEIGHT MOTOR

M60 PASSENGER'S SEAT MOVEMENT MOTOR



X279
 X740
 X741
 X10218

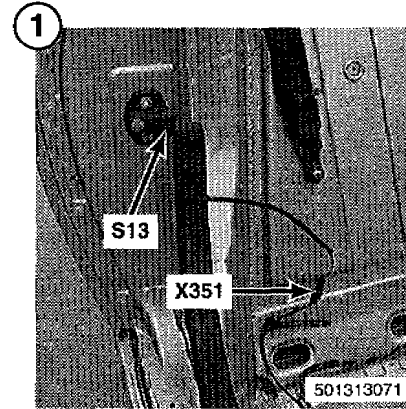
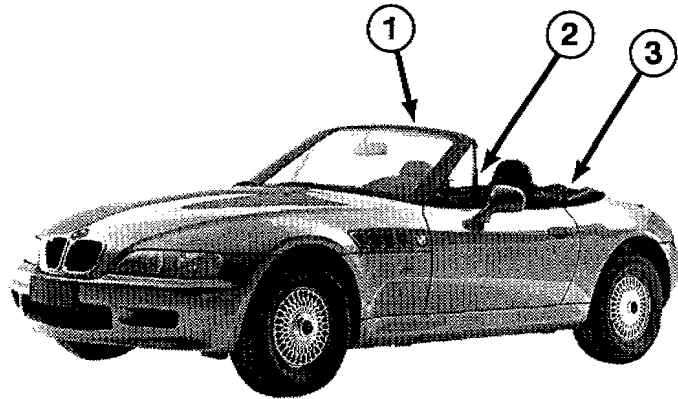
COMPONENT LOCATION VIEWS





Z3

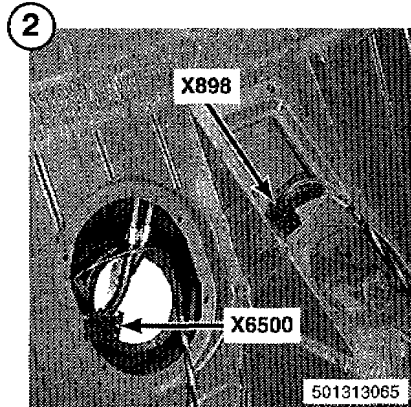
COMPONENT LOCATION VIEWS



S13
PASSENGER'S
DOOR JAMB
SWITCH

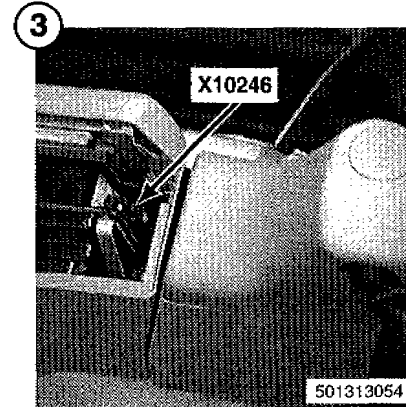
X351

501313071



X898
X6500

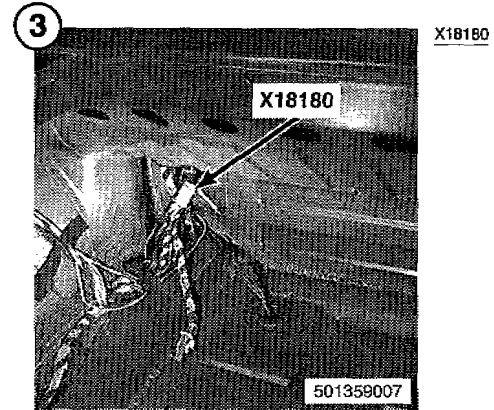
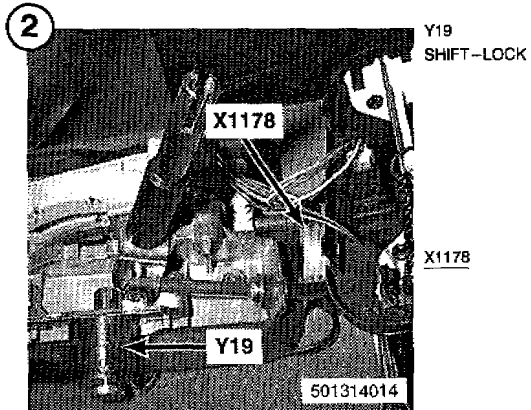
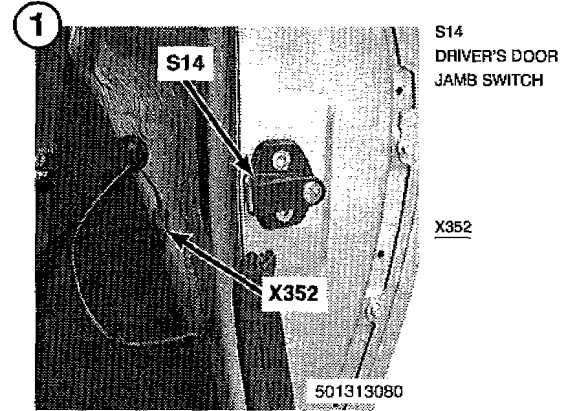
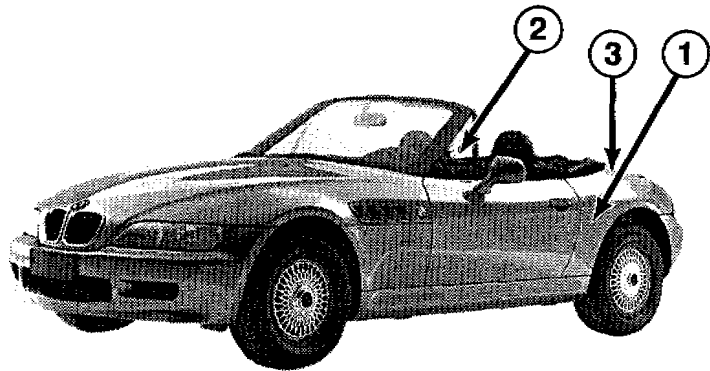
501313065



X10246

501313054

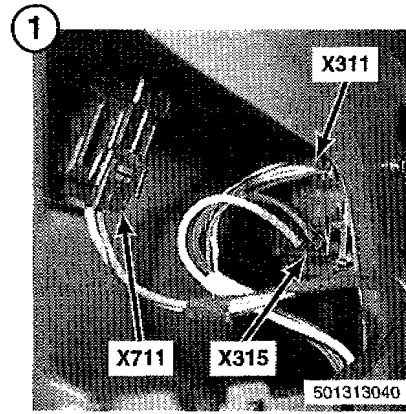
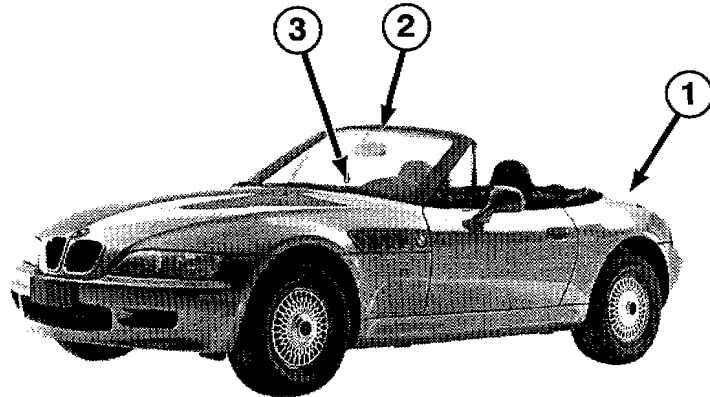
COMPONENT LOCATION VIEWS



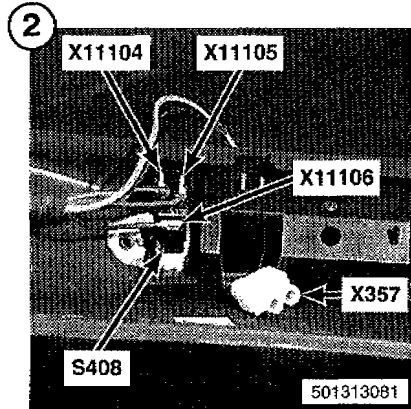


COMPONENT LOCATION VIEWS

Z3

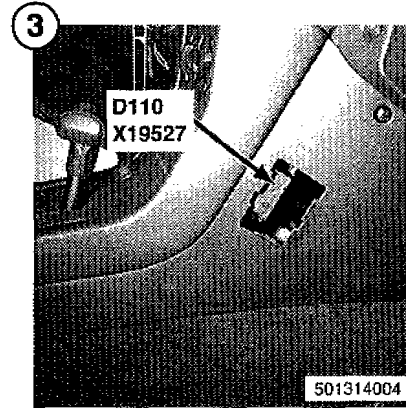


X311
X315
X711



S408
SIDE LIGHT
SWITCH

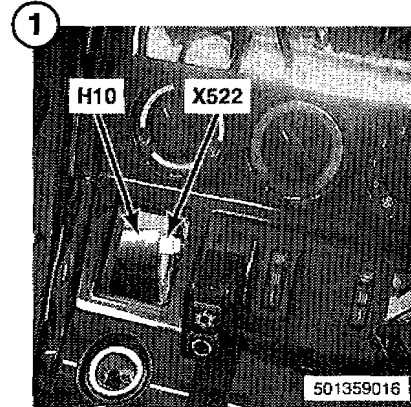
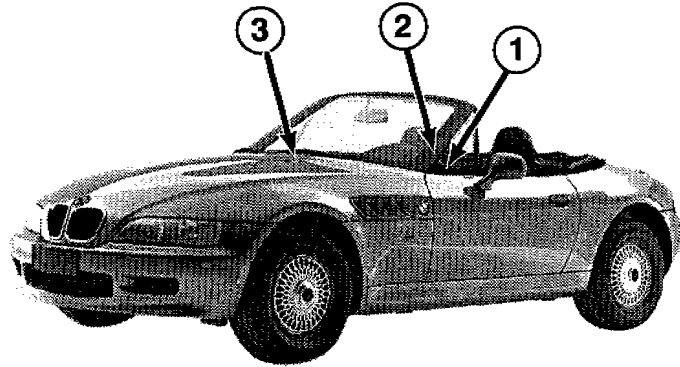
X357
X11104
X11105
X11106



D110
OBD II
CONNECTOR

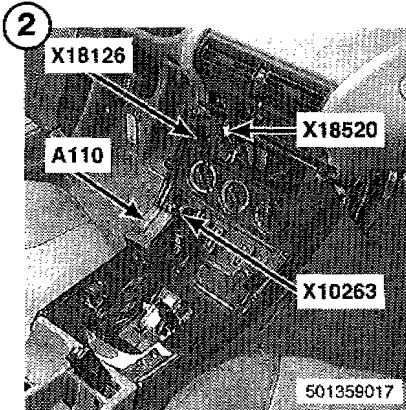
X19527

COMPONENT LOCATION VIEWS



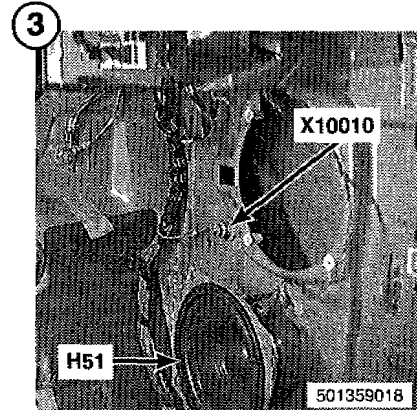
H10
CHIME MODULE

X522



A110
DIGITAL CLOCK

X10263
X18126
X18520



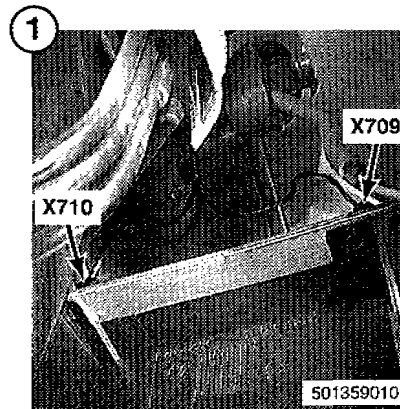
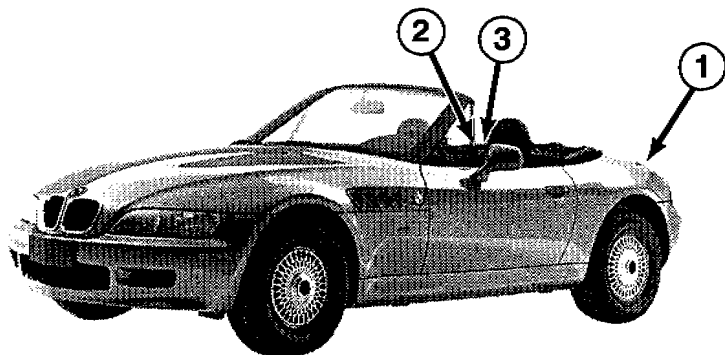
H51
RIGHT FRONT LOW
RANGE SPEAKER

X10010
GROUND

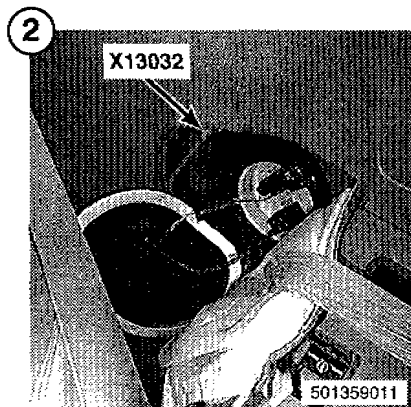


Z3

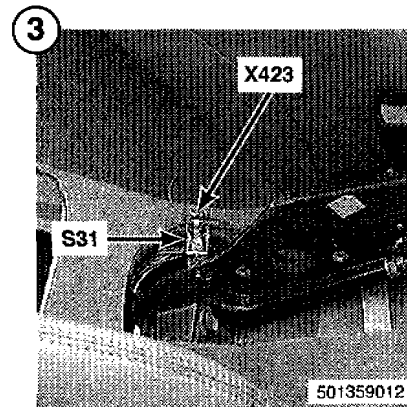
COMPONENT LOCATION VIEWS



X709
X710

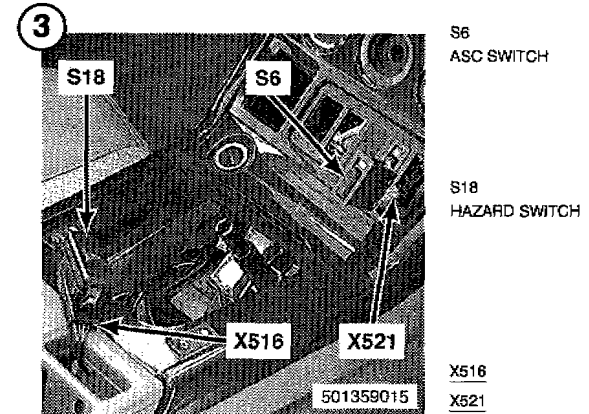
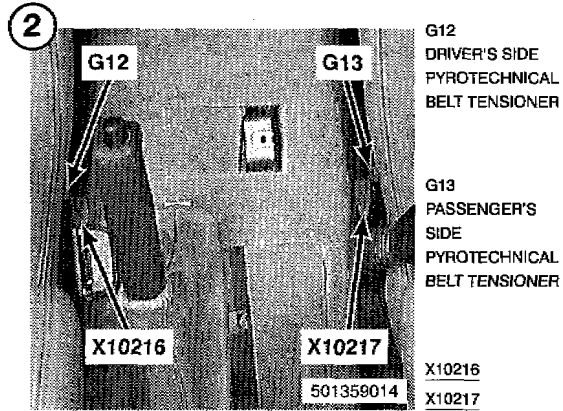
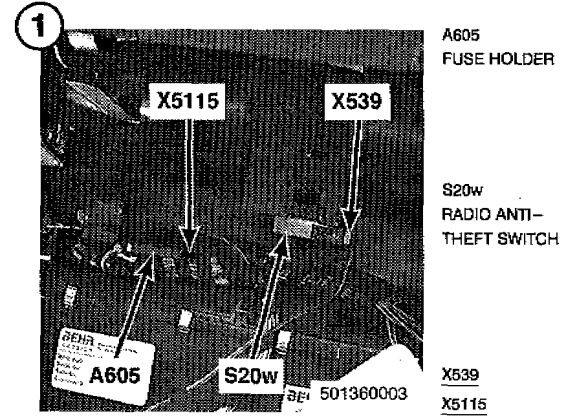
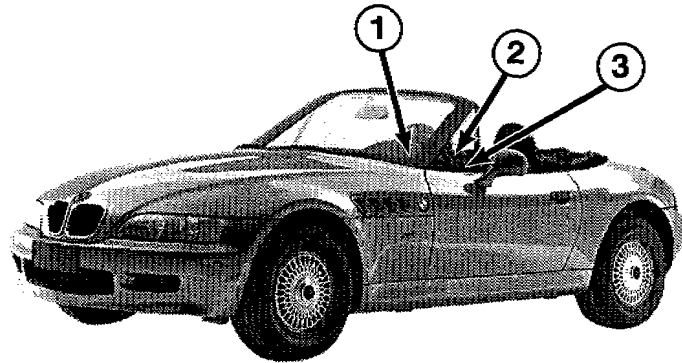


X13032
GROUND



S31
PARK BRAKE
SWITCH

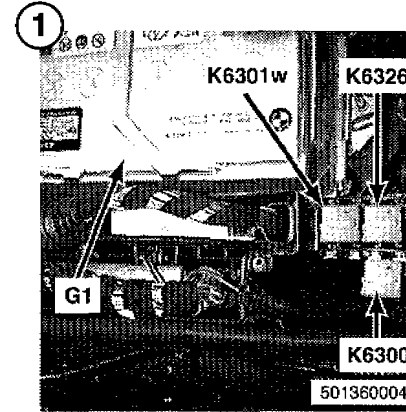
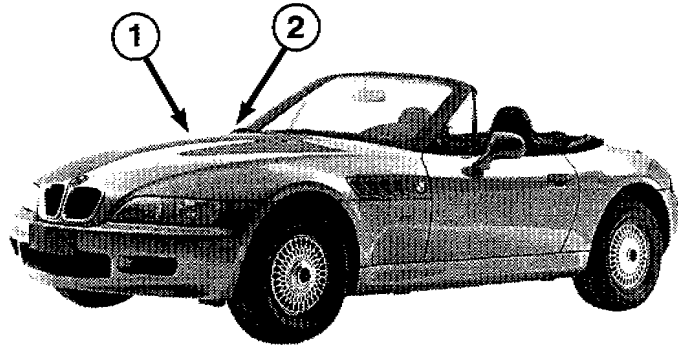
X423





Z3

COMPONENT LOCATION VIEWS

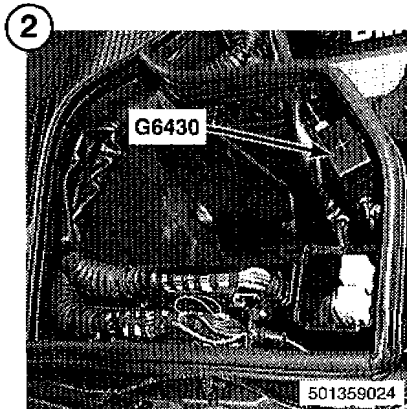


G1
BATTERY

K6326
UNLOADER RELAY,
TERMINAL 15

K6300
ENGINE CONTROL
MODULE RELAY

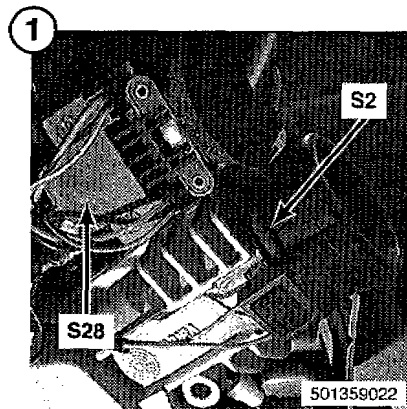
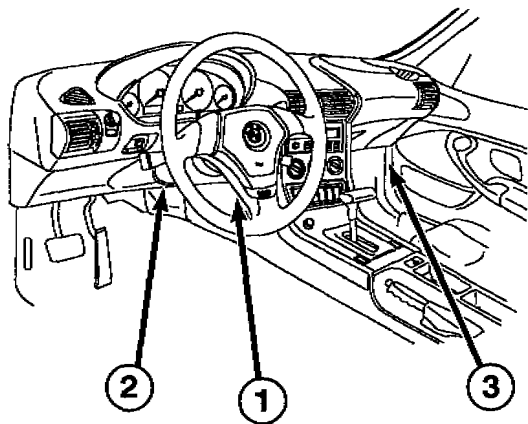
K6301w
501360004
FUEL PUMP RELAY



G6430
B+ JUMP START
JUNCTION POINT

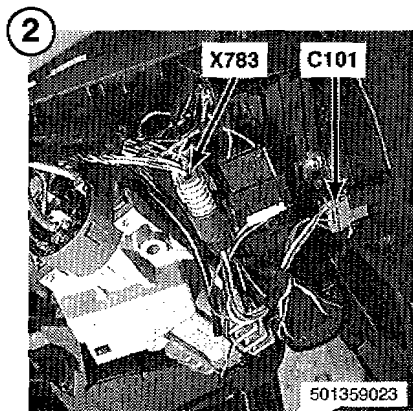
COMPONENT LOCATION VIEWS

ELECTRICAL CONTROL MODULE LOCATIONS



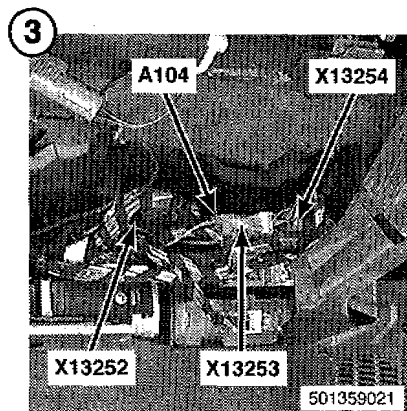
S2
IGNITION SWITCH

S28
CRUISE CONTROL
SWITCH



C101
CONTACT RING

X783



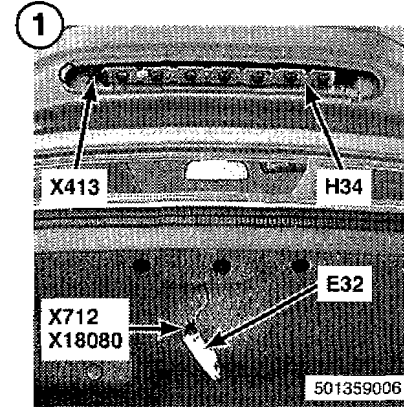
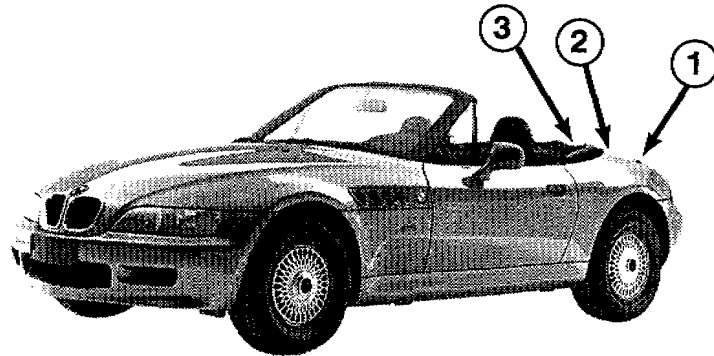
A104
BODY
ELECTRONICS
CONTROL
MODULE (ZKE IV)

X13252
X13253
X13254



Z3

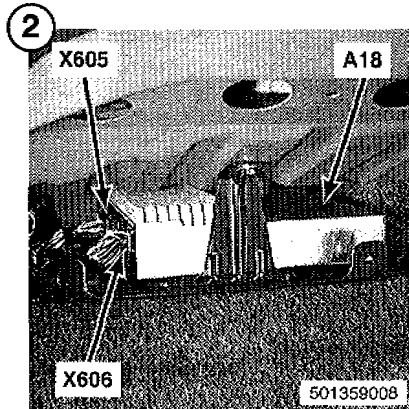
COMPONENT LOCATION VIEWS



E32
TRUNK COMPARTMENT LIGHT

H34
HIGH LEVEL STOP LIGHT

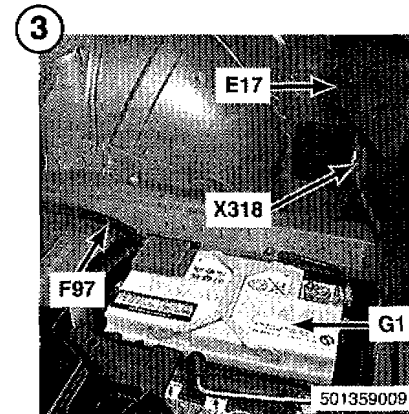
X413
X712
X18080



A18
HIFI AMPLIFIER

X605
X606

501359008



F97
FUSIBLE LINK

G1
BATTERY

E17
RIGHT REAR LIGHT ASSEMBLY

X318

501359009



SPLICE LOCATION VIEWS

Z3

SPLICE	HARNESS	PAGE NUMBER	SPLICE	HARNESS	PAGE NUMBER
X181-X188	BODY	8000 0-02	X849-X851	DRIVER'S DOOR	8000 0-03
X189	IHKS	8000 0-02	X876-X877	RADIO/HIFI/CD	8000 0-03
X191-X196	BODY	8000 0-02	X878-X888	BODY	8000 0-02
X197	BODY	8000 0-03	X942	PASSENGER'S DOOR	8000 0-03
X203-X223	BODY	8000 0-02	X985	IHKS	8000 0-02
X228	BODY	8000 0-03	X1015-X1047	BODY	8000 0-02
X245-X246	BODY	8000 0-02	X1055	BODY	8000 0-03
X443	BODY	8000 0-02	X1066-X1079	BODY	8000 0-02
X444	BODY	8000 0-03	X1091	BODY	8000 0-03
X445	BODY	8000 0-02	X1100-X1115	BODY	8000 0-02
X449	BODY	8000 0-03	X1149	BODY	8000 0-03
X450	BODY	8000 0-02	X1152-X1164	BODY	8000 0-02
X453-X460	BODY	8000 0-03	X1167	BODY	8000 0-03
X461	BODY	8000 0-02	X1168-X1186	BODY	8000 0-02
X462-X465	BODY	8000 0-03	X1214	BODY	8000 0-02
X470	BODY	8000 0-02	X1225	BODY	8000 0-03
X530	BODY	8000 0-02	X1226	BODY	8000 0-02
X576-X595	BODY	8000 0-02	X1234-X1238	BODY	8000 0-03
X697-X699	BODY	8000 0-02	X1258	BODY	8000 0-02
X805	BODY	8000 0-03	X1263	BODY	8000 0-03
X806	BODY	8000 0-02	X1264-X1280	BODY	8000 0-02
X814-X818	IHKS	8000 0-02	X1403	BODY	8000 0-02
X824-X830	RADIO/HIFI/CD	8000 0-03	X1429-X1435	IHKS	8000 0-02

04/97

8000 0-00

1996



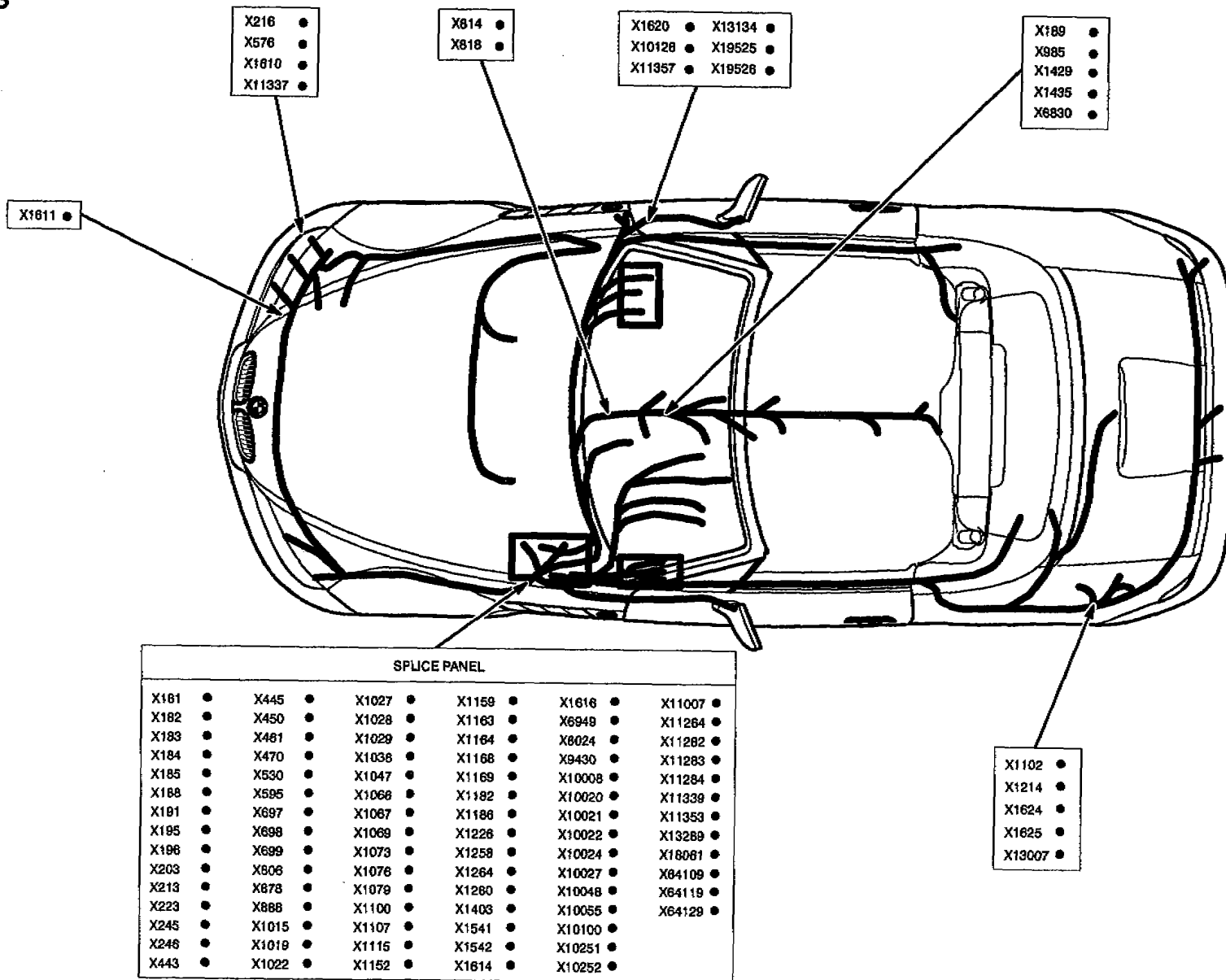
SPLICE LOCATION VIEWS

Z3

SPLICE	HARNESS	PAGE NUMBER	SPLICE	HARNESS	PAGE NUMBER
X1541-X1542	BODY	8000.0-02	X10020-X10055	BODY	8000.0-02
X1608	BODY	8000.0-03	X10064	BODY	8000.0-03
X1610-X1616	BODY	8000.0-02	X10100-X10126	BODY	8000.0-02
X1617-X1618	BODY	8000.0-03	X10169	M44 ENGINE	8000.0-04
X1620-X1625	BODY	8000.0-02	X10251-X10252	BODY	8000.0-02
X6410	M44 ENGINE	8000.0-04	X11007	BODY	8000.0-02
X6413	M44 ENGINE	8000.0-04	X11264-X11284	BODY	8000.0-02
X6460-X6492	M44 ENGINE	8000.0-04	X11291	BODY	8000.0-03
X6810-X6823	M44 ENGINE	8000.0-04	X11337-X11353	BODY	8000.0-02
X6830	IHKS	8000.0-02	X11355	BODY	8000.0-03
X6832-X6891	M44 ENGINE	8000.0-04	X11357	BODY	8000.0-02
X6900	M44 ENGINE	8000.0-04	X13007	BODY	8000.0-02
X6949	BODY	8000.0-02	X13011-X13047	BODY	8000.0-03
X7845-X7846	M44 ENGINE	8000.0-04	X13134	BODY	8000.0-02
X8004-X8008	M44 ENGINE	8000.0-04	X13289	BODY	8000.0-02
X8015	M44 ENGINE	8000.0-04	X18061	BODY	8000.0-02
X8024	BODY	8000.0-02	X19513	RADIO/HIFI/CD	8000.0-03
X8056	M44 ENGINE	8000.0-04	X19525-X19526	BODY	8000.0-02
X8073	M44 ENGINE	8000.0-04	X64109	BODY	8000.0-02
X8564-X8589	M44 ENGINE	8000.0-04	X64119	BODY	8000.0-02
X9430	BODY	8000.0-02	X64129	BODY	8000.0-02
X10008	BODY	8000.0-02	X64591	BODY	8000.0-03
X10009	BODY	8000.0-03			

SPLICE LOCATION VIEWS

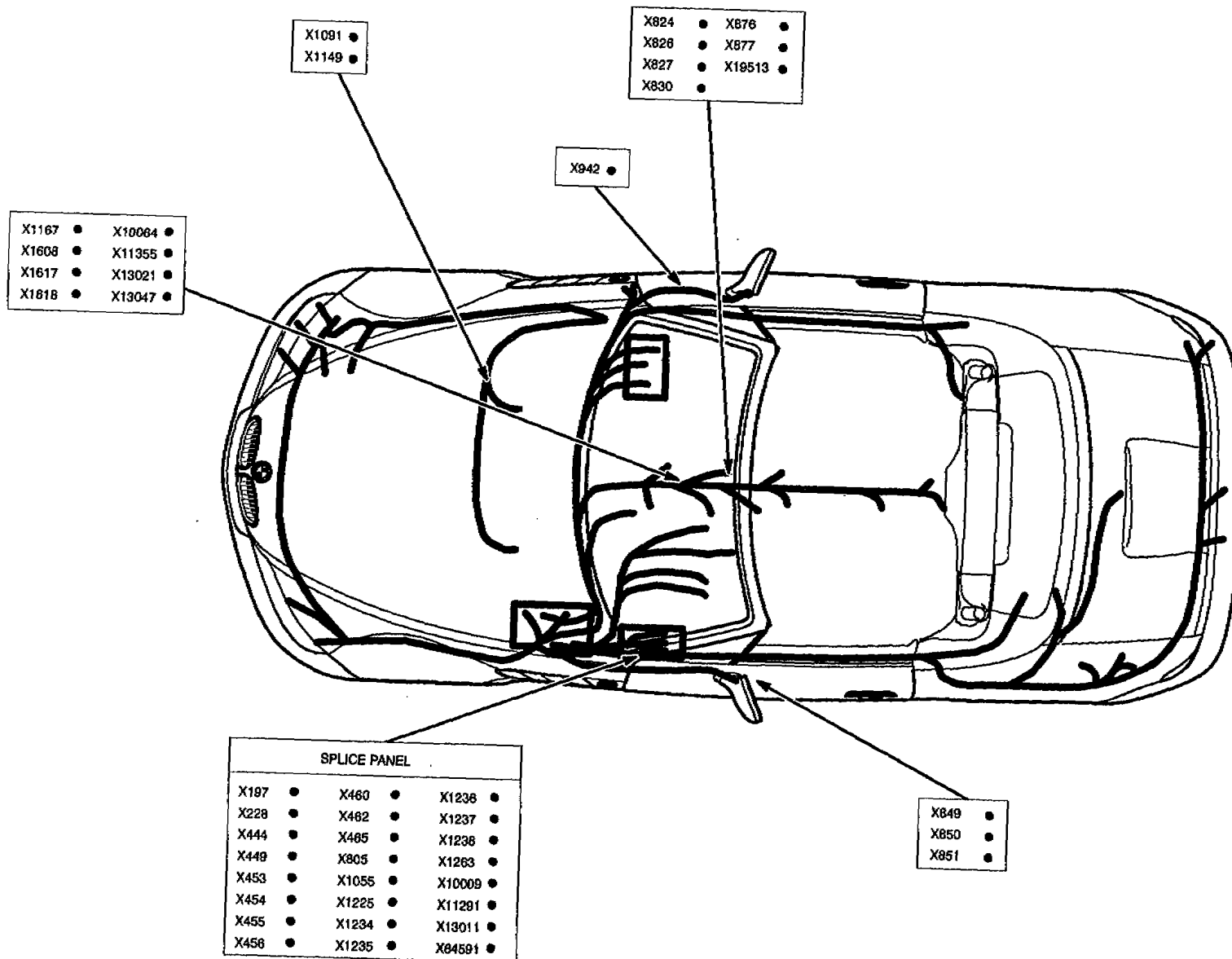
BODY HARNESS



BMW
3
Z3

SPLICE LOCATION VIEWS

BODY HARNESS

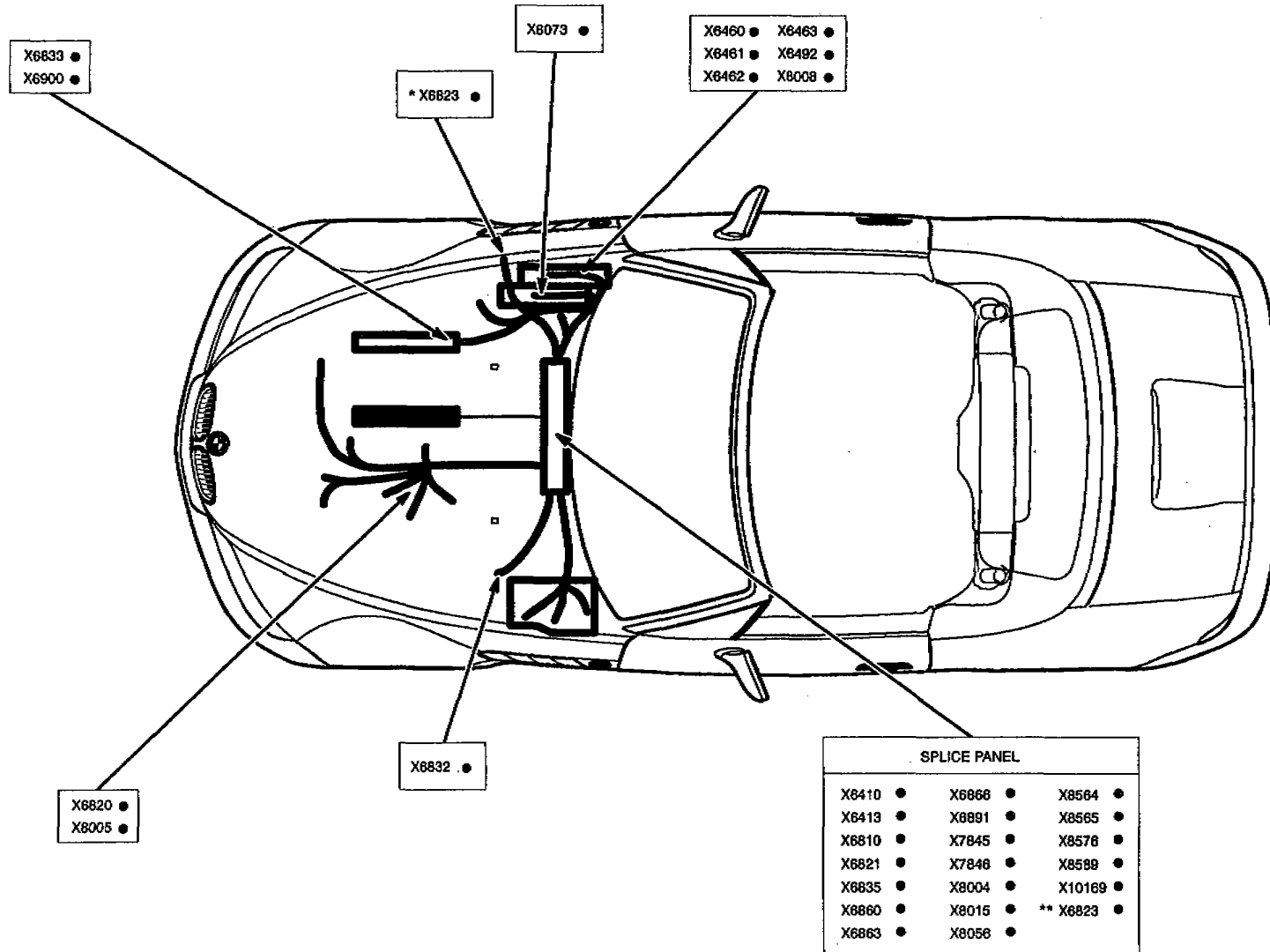


04/97
8000.0-03
1996



SPLICE LOCATION VIEWS

ENGINE HARNESS M44



* EARLY PRODUCTION
 ** LATE PRODUCTION

BMW
3

Z3

8500.0

FIG. 1

BB80001.00

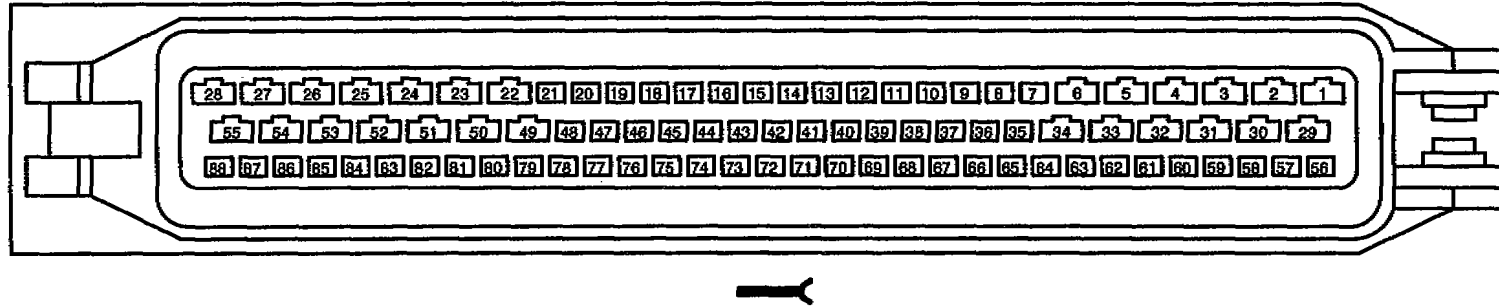


FIG. 2

B070013.00

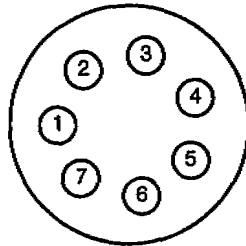
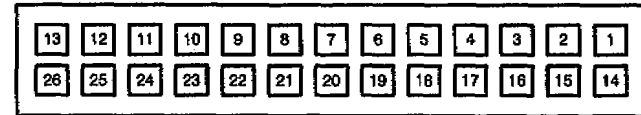


FIG. 3

B260005.00





Z3

CONNECTOR VIEWS

FIG. 1

B030024

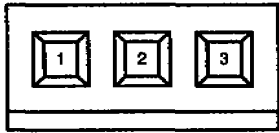


FIG. 2

B300005.00

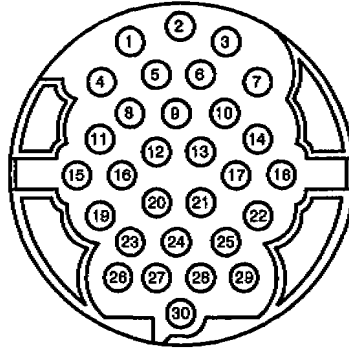


FIG. 3

B120001.00

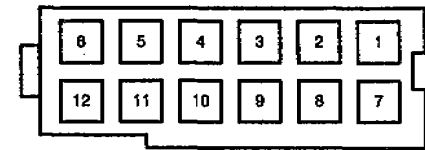


FIG. 4

B060044.00

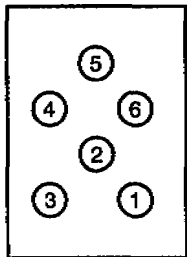


FIG. 5

B120002.02

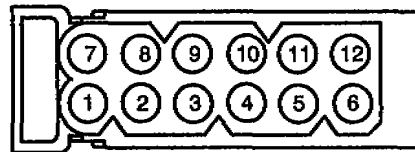
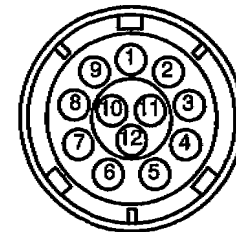


FIG. 6

B120015





Z3

CONNECTOR VIEWS

FIG. 1

B080002.00

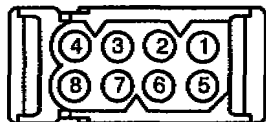


FIG. 2

B170001.00

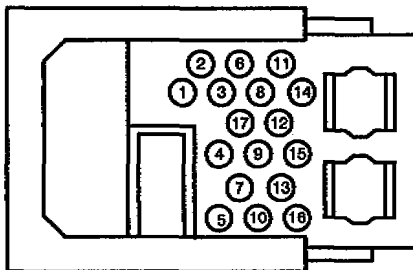


FIG. 3

B100008.00

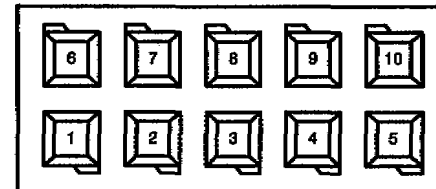


FIG. 4

B120004.01

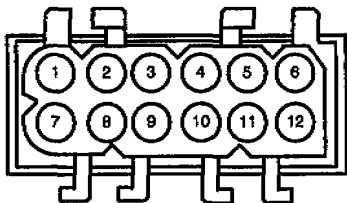


FIG. 5

B030004.01

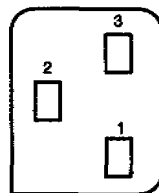


FIG. 6

B050003.00





CONNECTOR VIEWS

Z3

FIG. 1

B040004.00



FIG. 2

B040018

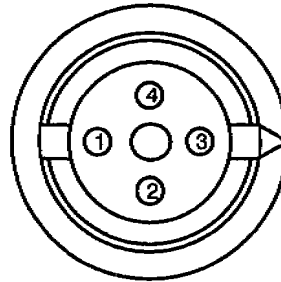


FIG. 3

B080001.00

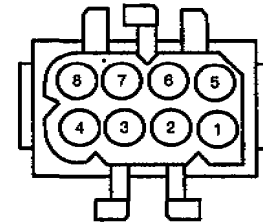


FIG. 4

B090002.00

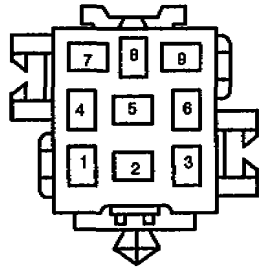


FIG. 5

B280002.01

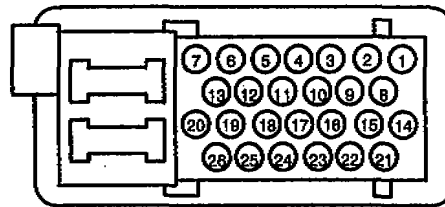
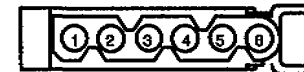


FIG. 6

B060001.02





Z3

CONNECTOR VIEWS

FIG. 1

B200003.00

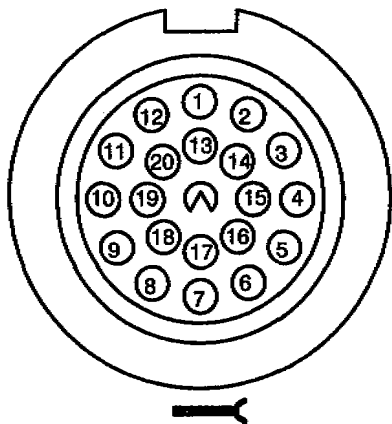


FIG. 2

B070005.00

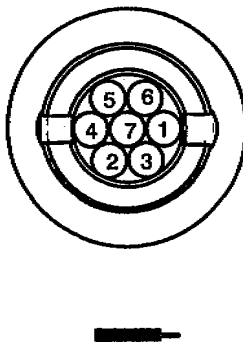


FIG. 3

B030003.00

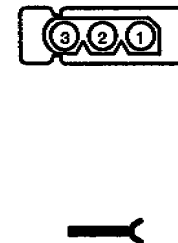


FIG. 4

B250001.02

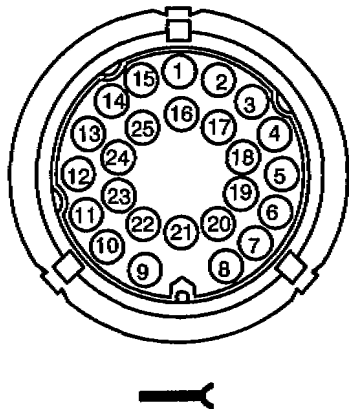
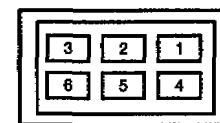


FIG. 5

B060019.03





CONNECTOR VIEWS

Z3

FIG. 1

B150002.00

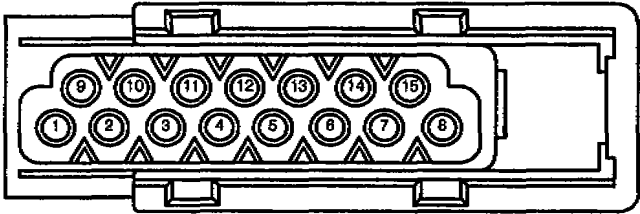


FIG. 2

B180000.00

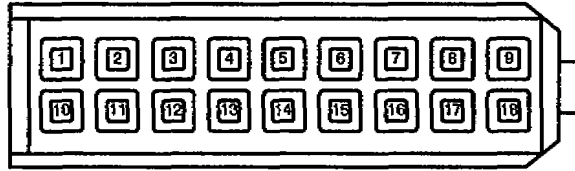


FIG. 3

B060038.00

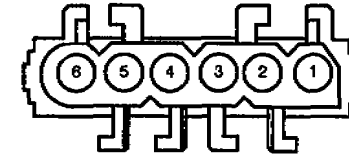


FIG. 4

B040027.00

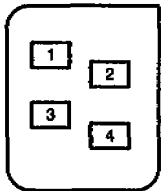


FIG. 5

B030006.00

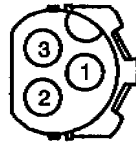
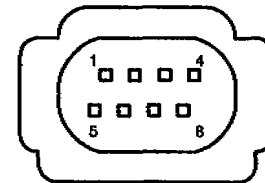


FIG. 6

B080020.00





CONNECTOR VIEWS

Z3

FIG. 1

B0400028.00

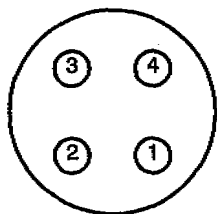


FIG. 2

B050005.00

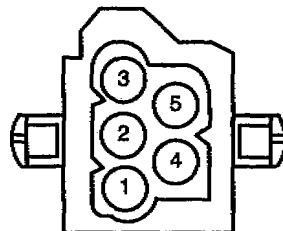


FIG. 3

B0300044.00

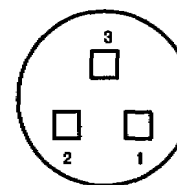


FIG. 4

B0300011.00

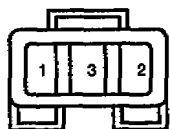


FIG. 5

B060041.00

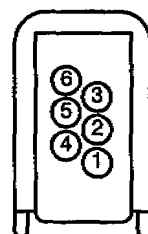
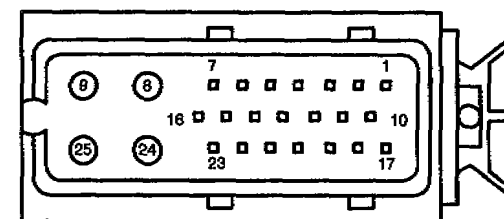


FIG. 6

B250004.00





CONNECTOR VIEWS

Z3

FIG. 1

B040026

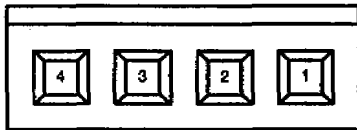


FIG. 2

B120006.00

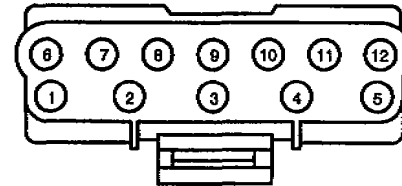


FIG. 3

B040003.00

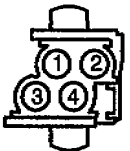


FIG. 4

B060037.00

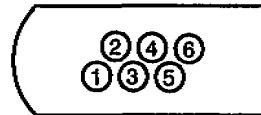
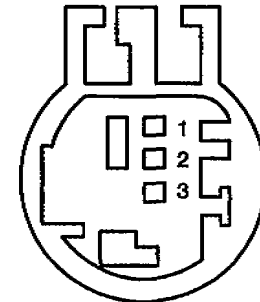


FIG. 5

B030042.00





Z3

CONNECTOR VIEWS

FIG. 1

B160002.00

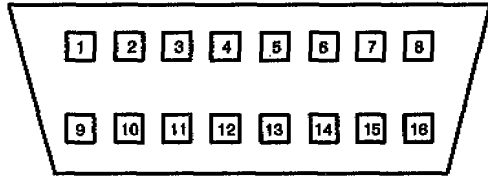


FIG. 2

B080013.00

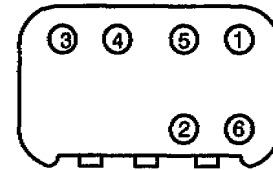


FIG. 3

B080013.00

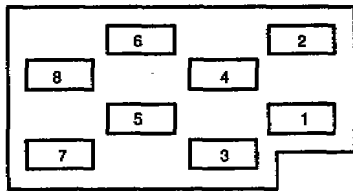
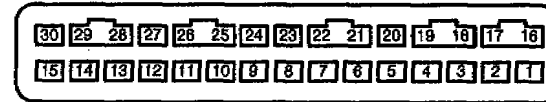


FIG. 4

B300003.00





Z3

CONNECTOR VIEWS

FIG. 1

B090006.00

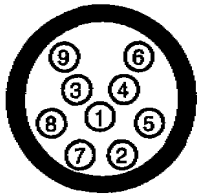


FIG. 2

B060043.00

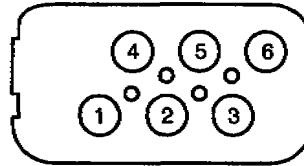


FIG. 3

B070012.00

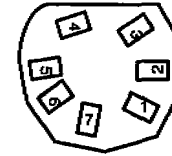


FIG. 4

B420000.00

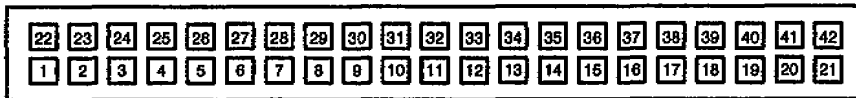
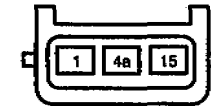


FIG. 5

B030015.00





Z3

8500.0-10